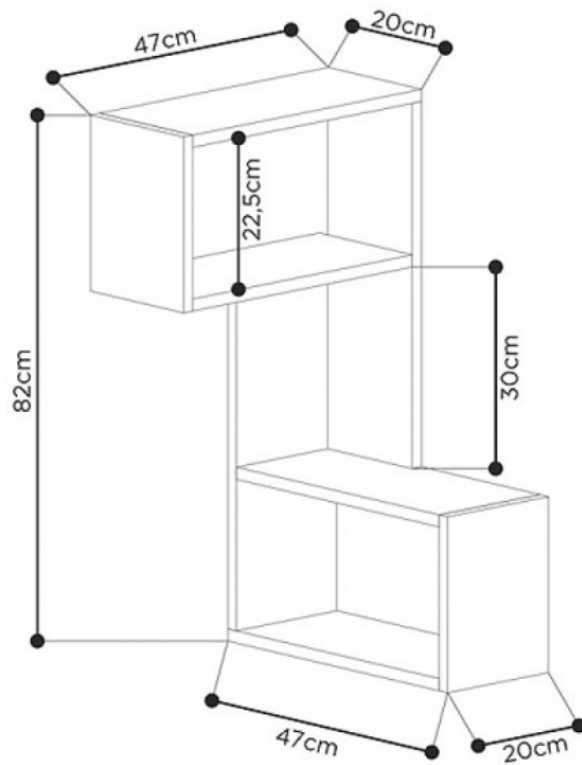
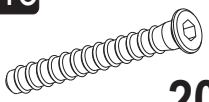
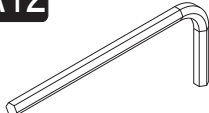
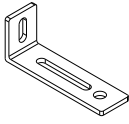

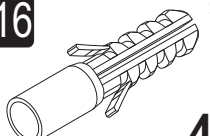

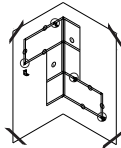

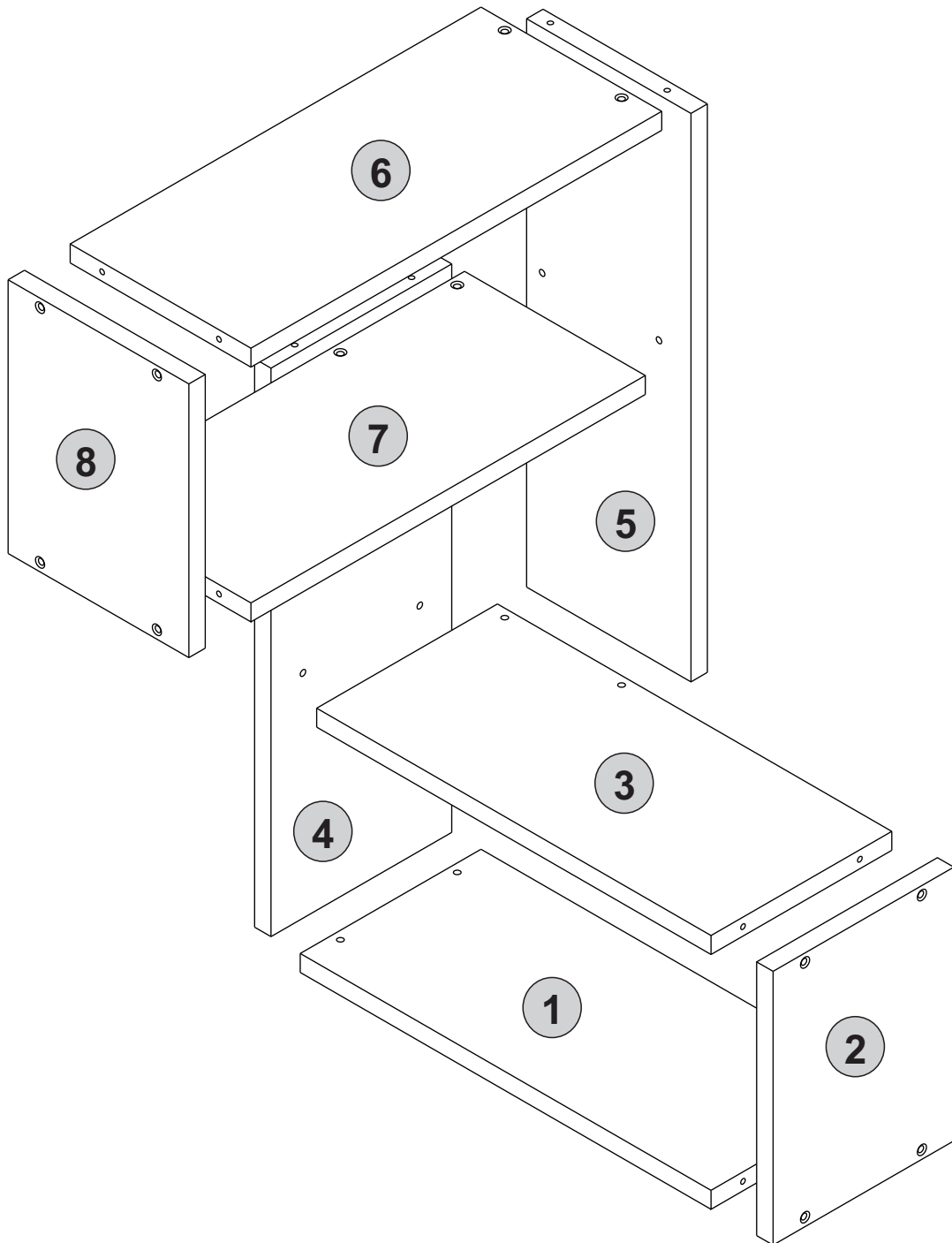




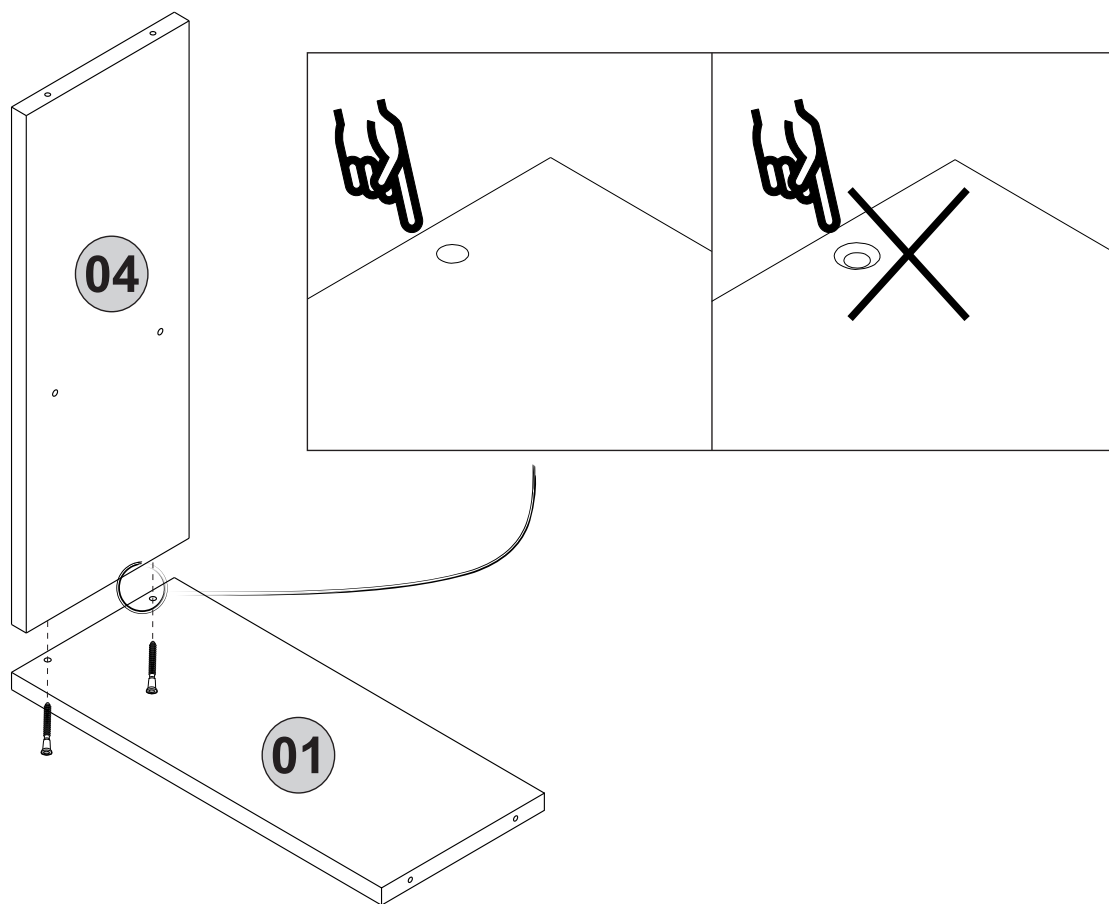
**GP037-0154,1**



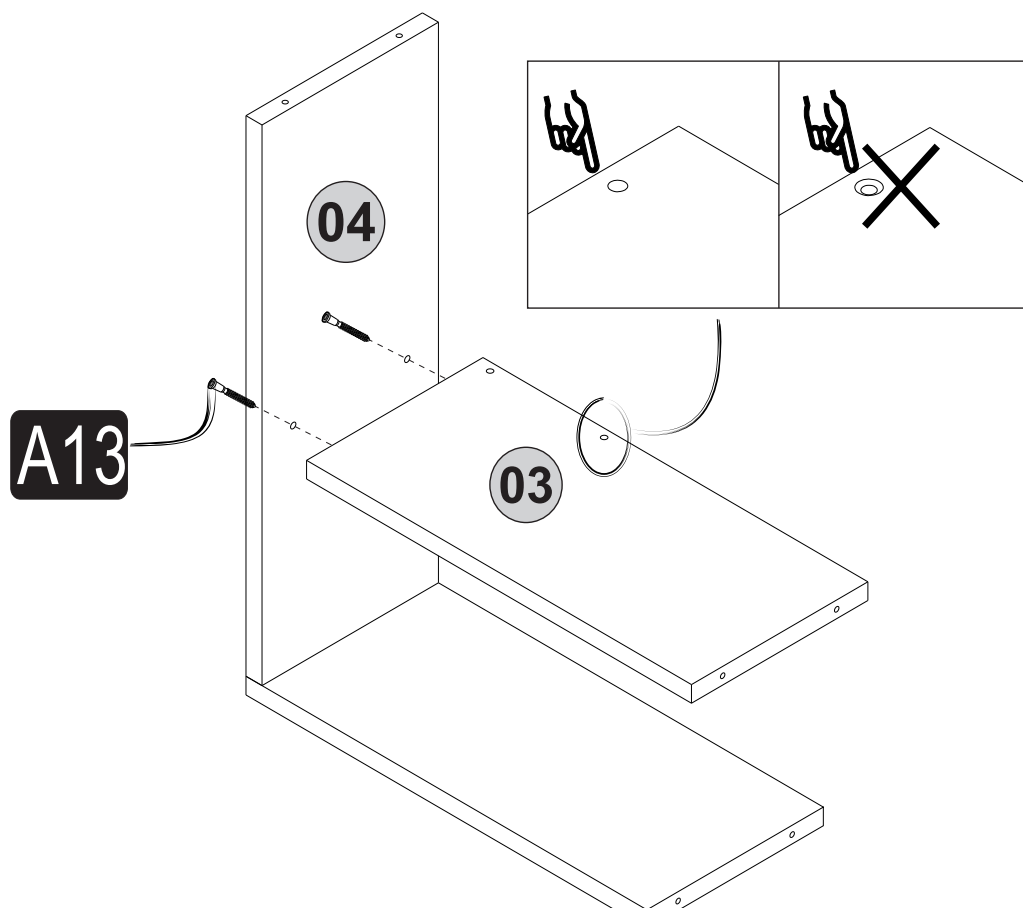
<b>A13</b> 50 mm  <b>20x</b>	<b>A12</b> 4 SW  <b>1x</b>	<b>A89</b> -L-  <b>4x</b>	<b>A18</b> 3,5x18  <b>4x</b>	<b>A16</b> Ø8  <b>4x</b>
<b>A17</b> 4x50  <b>4x</b>	<b>K76</b> 1659  <b>1x</b>	<b>A06</b> 14mm  <b>C1-10x</b> <b>C2-10x</b>		



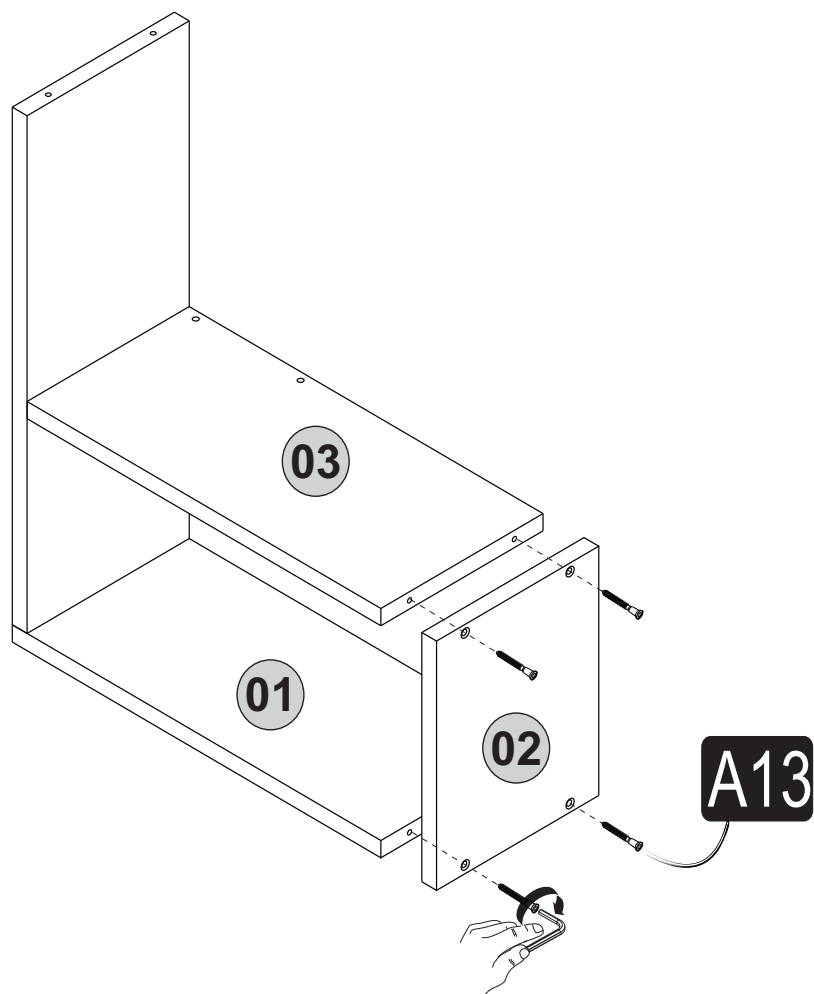
# 1. step



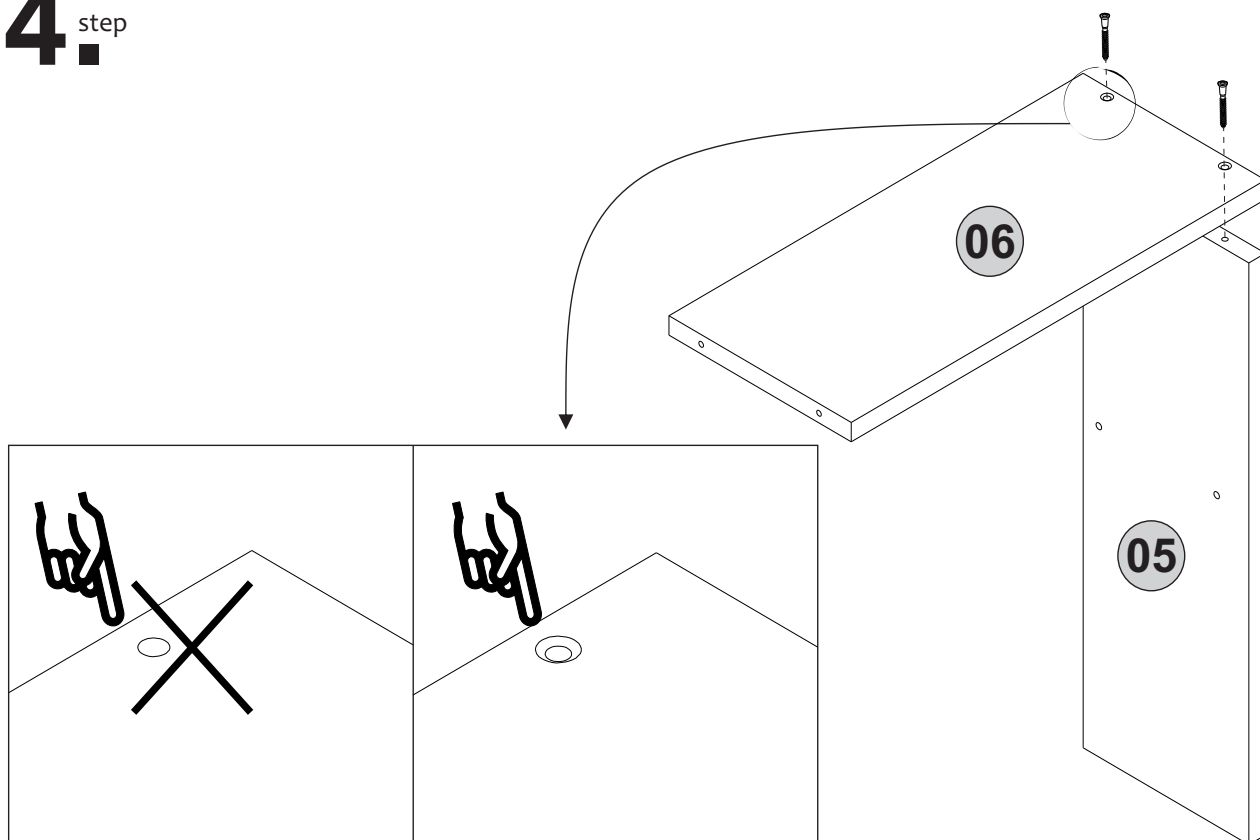
# 2. step



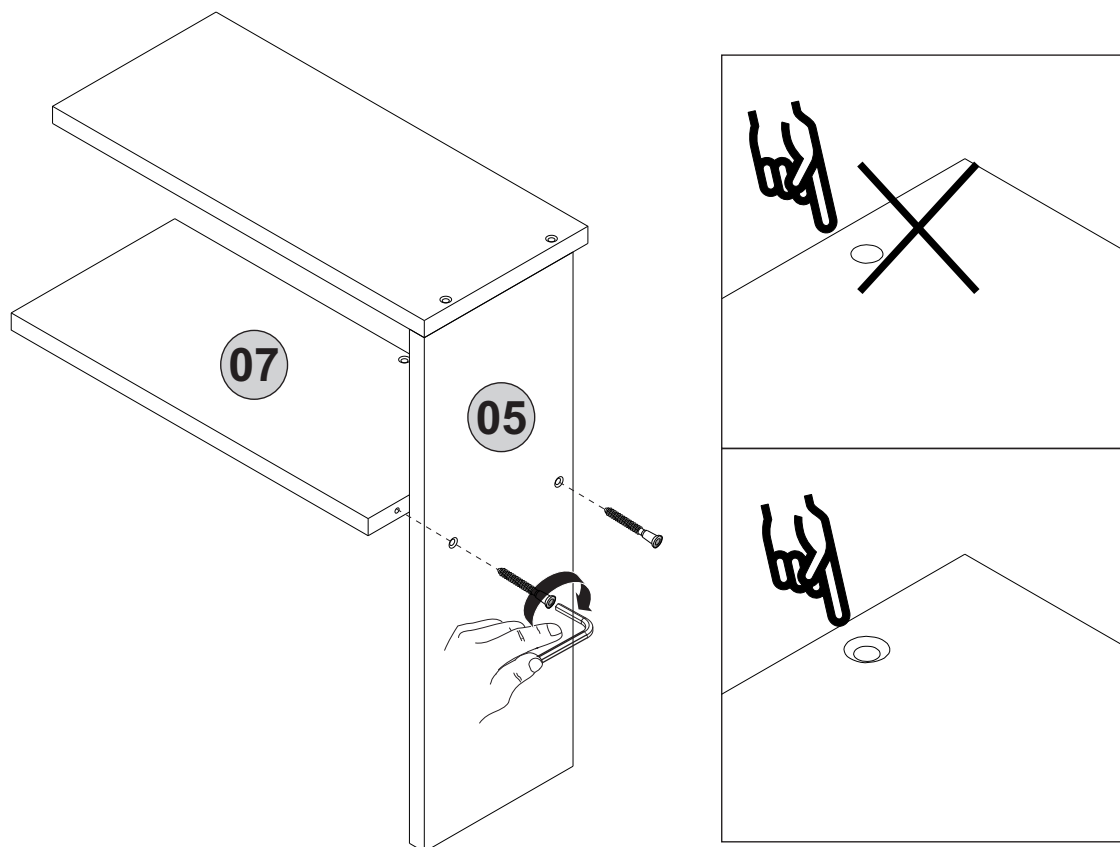
# 3. step



# 4. step

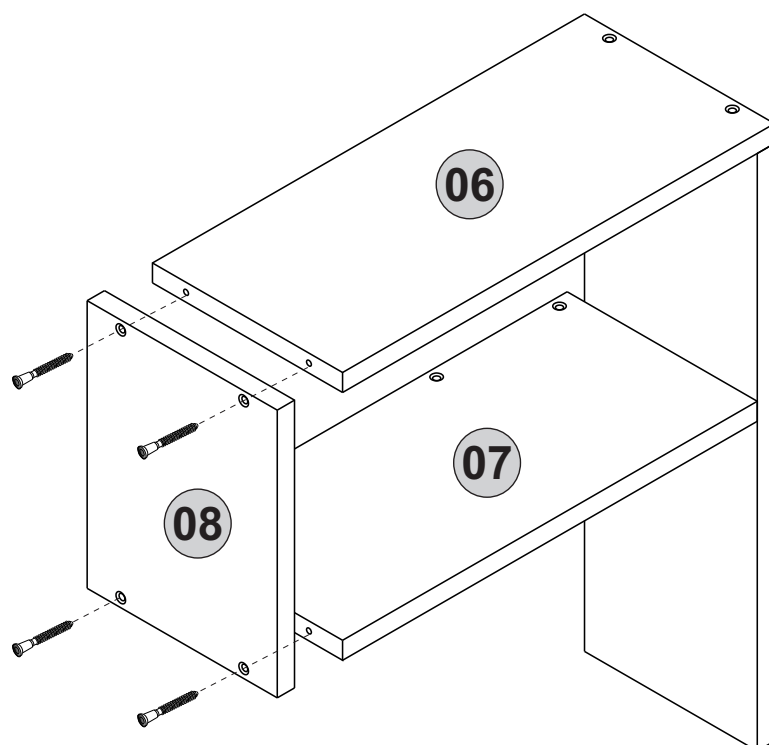


# 5<sub>step</sub>

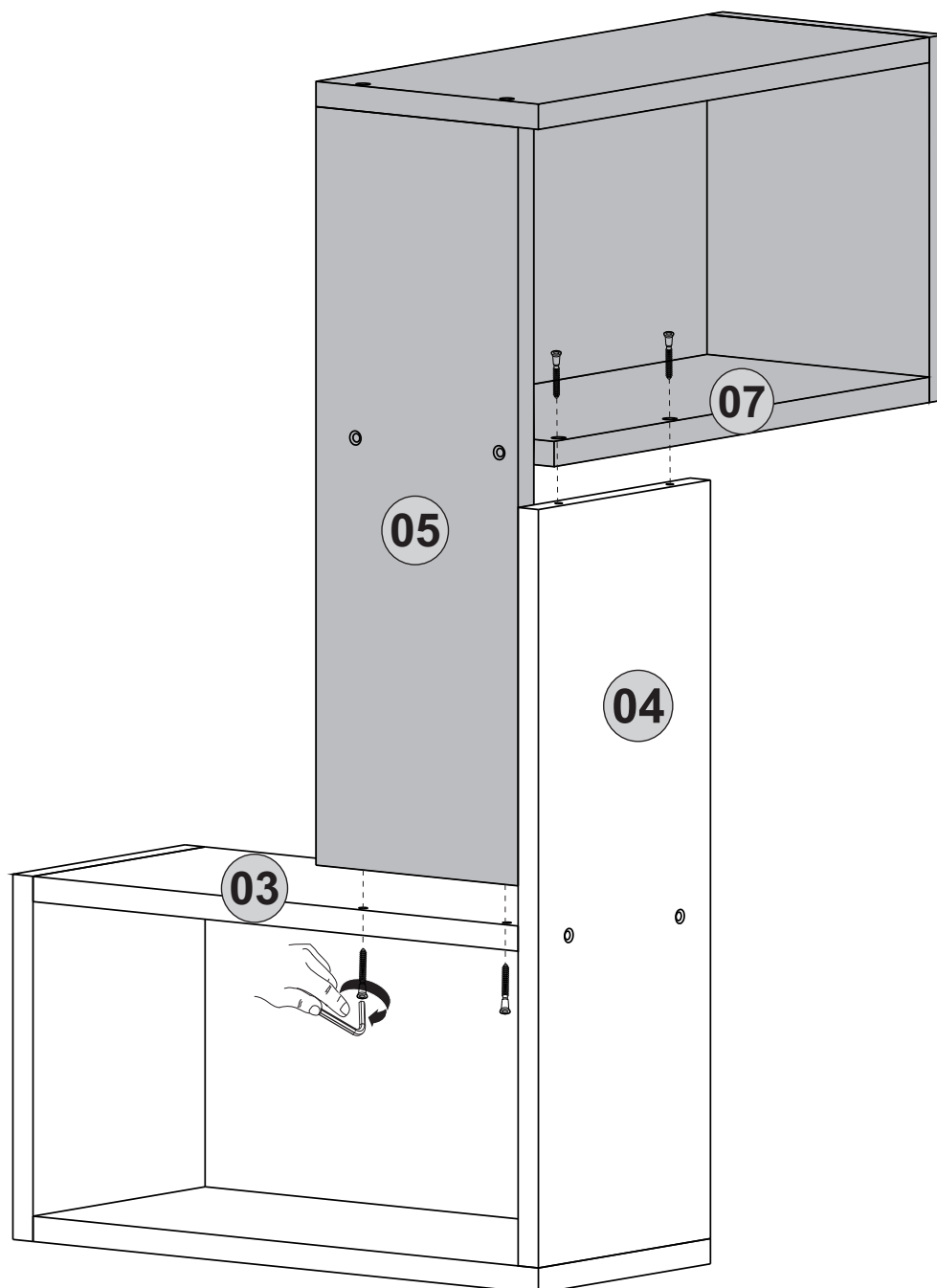


---

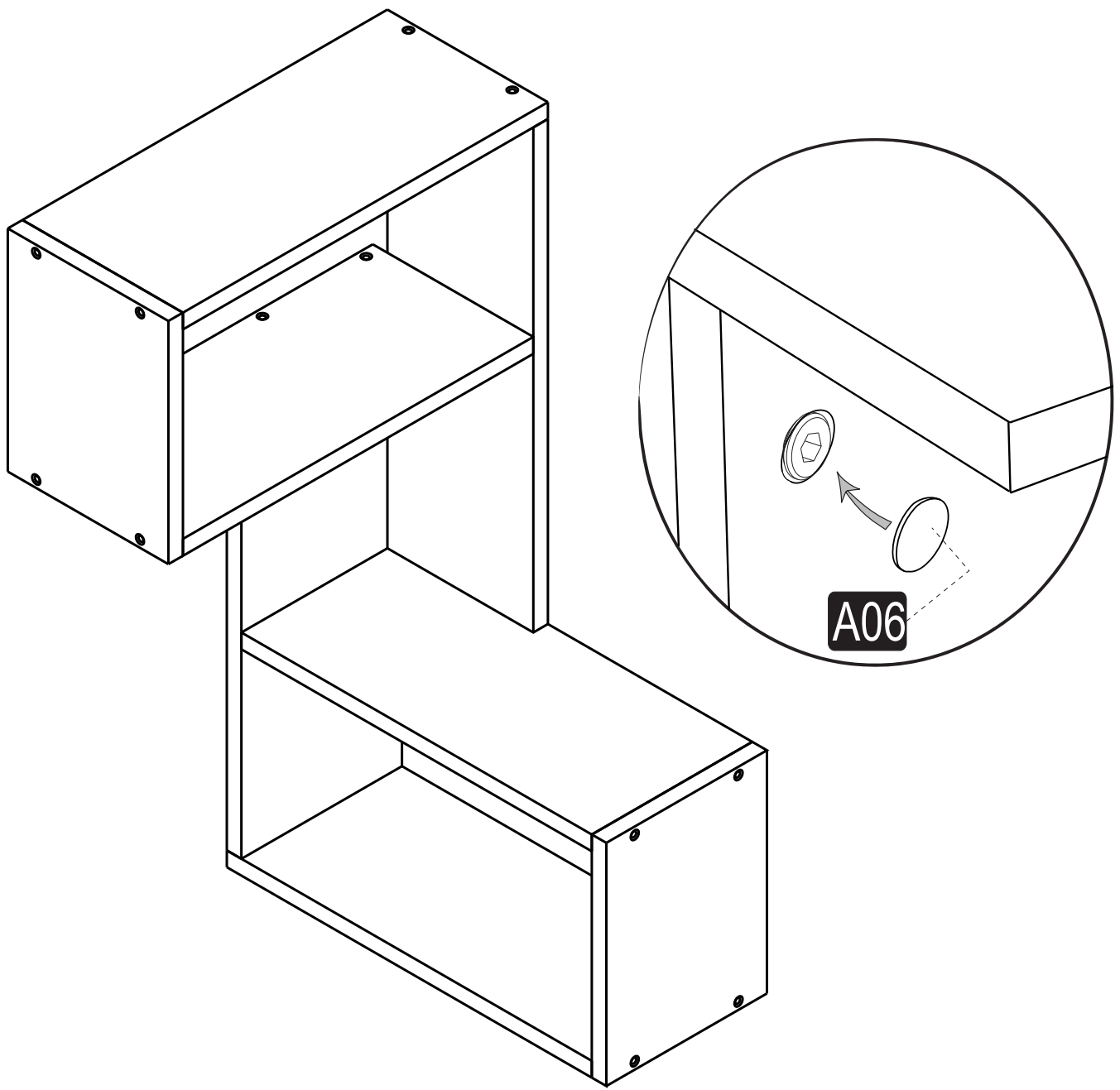
# 6<sub>step</sub>



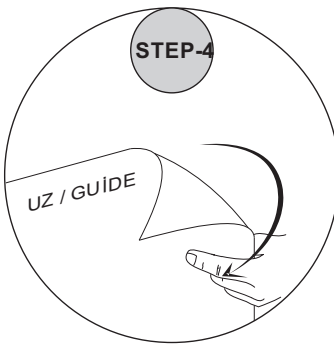
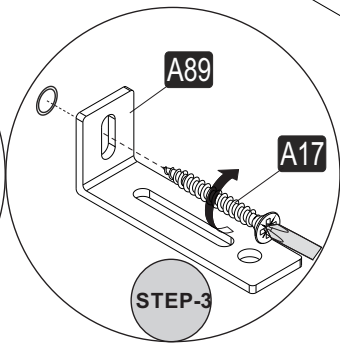
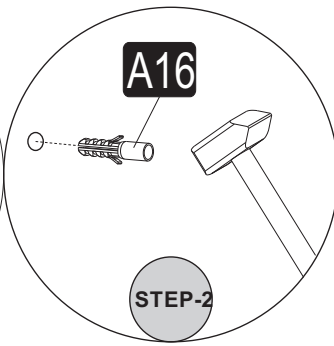
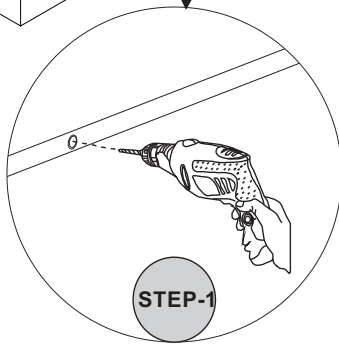
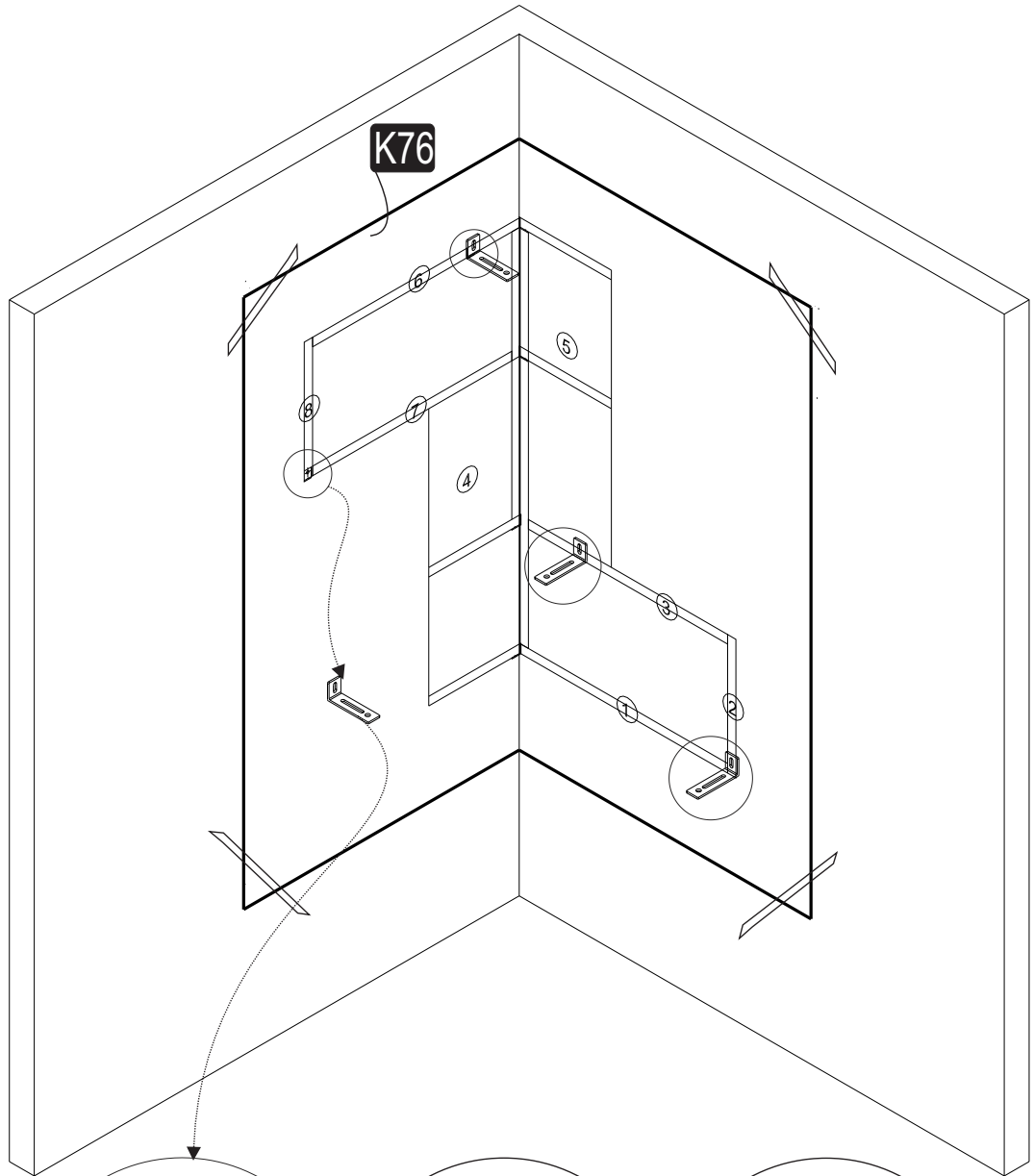
# 7. step



**8** step



# 9<sup>step</sup>



# 10.<sup>step</sup>

