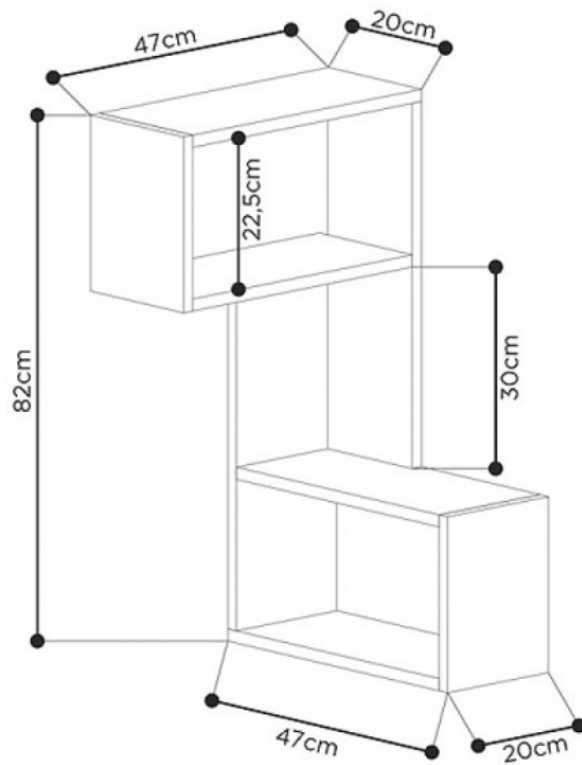
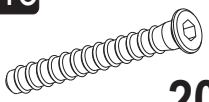
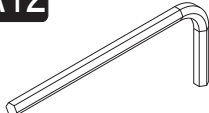
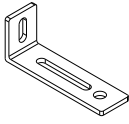

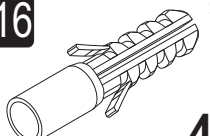

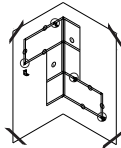

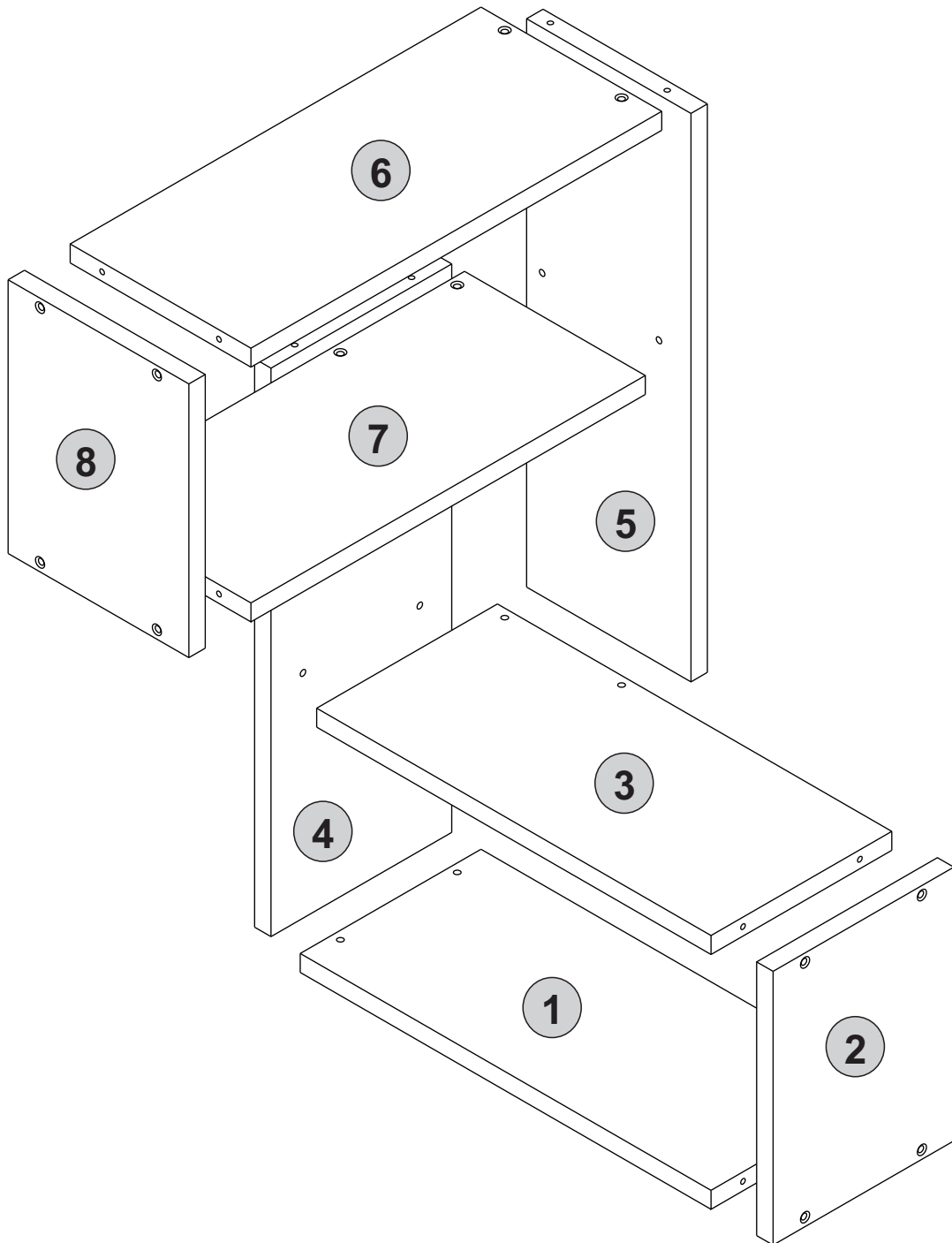




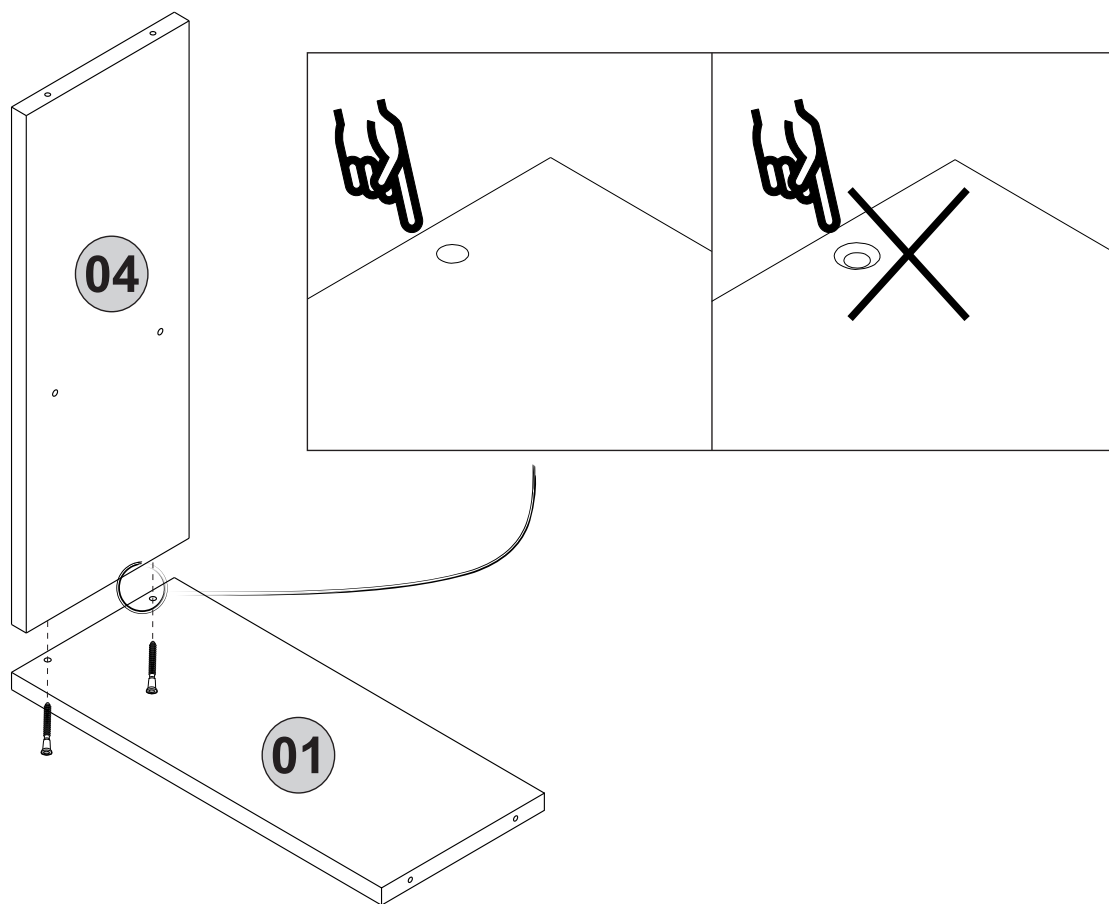
GP037-0154,2



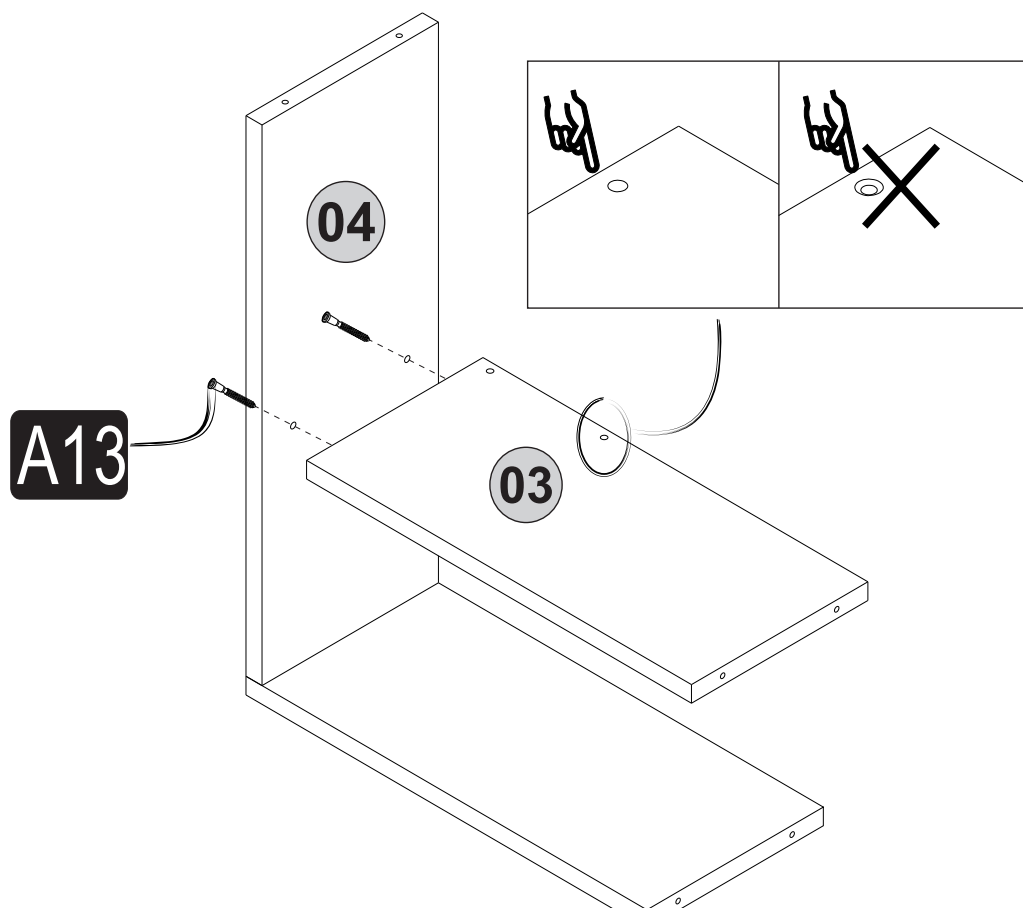
A13 50 mm  20x	A12 4 SW  1x	A89 -L-  4x	A18 3,5x18  4x	A16 Ø8  4x
A17 4x50  4x	K76 1659  1x	A06 14mm  C1-10x C2-10x		



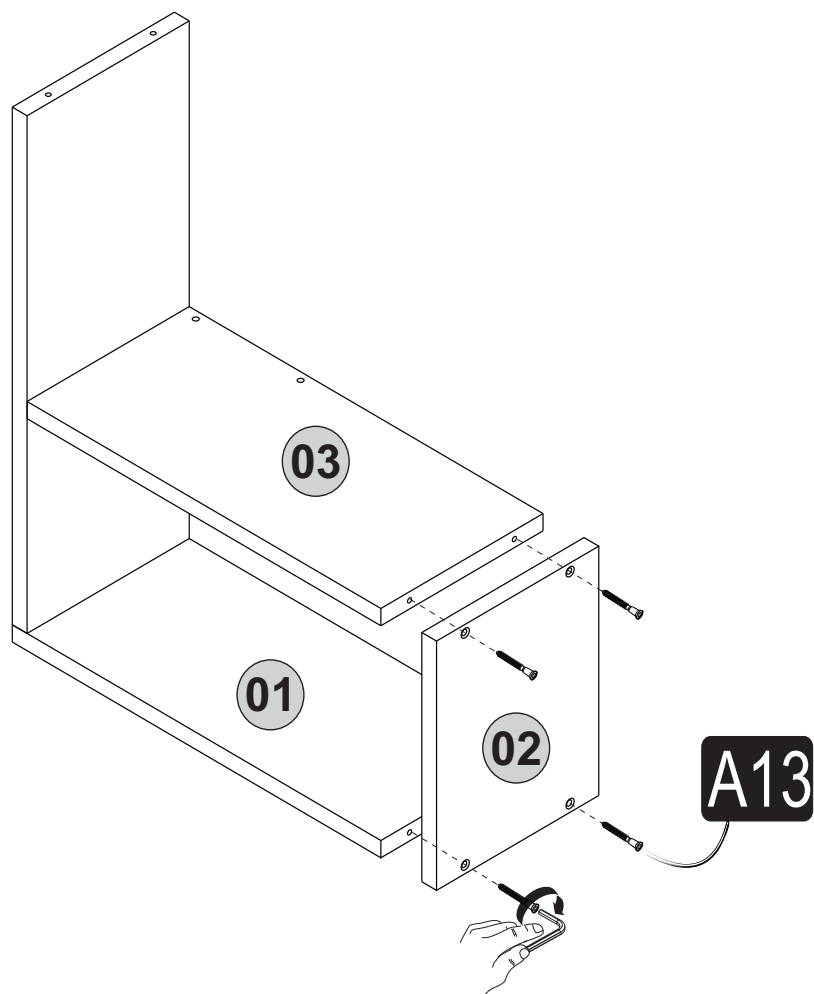
1. step



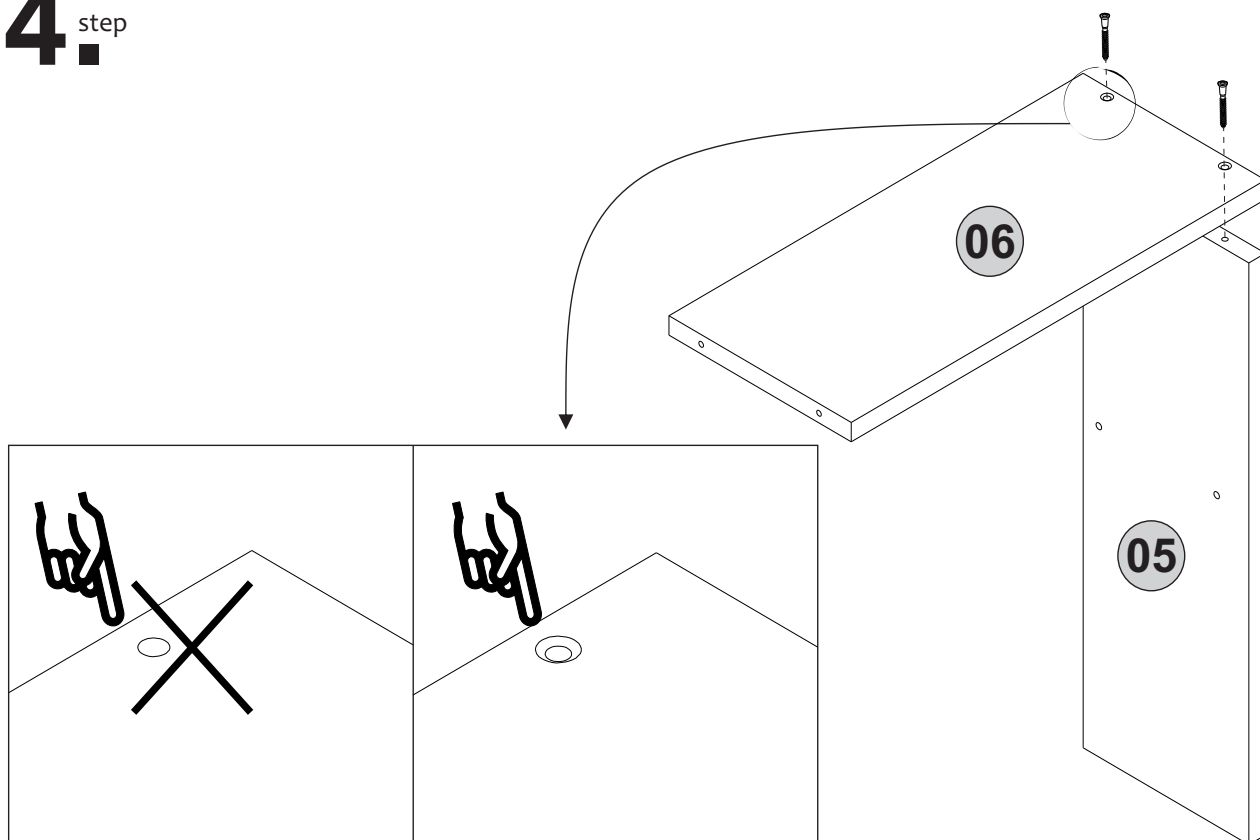
2. step



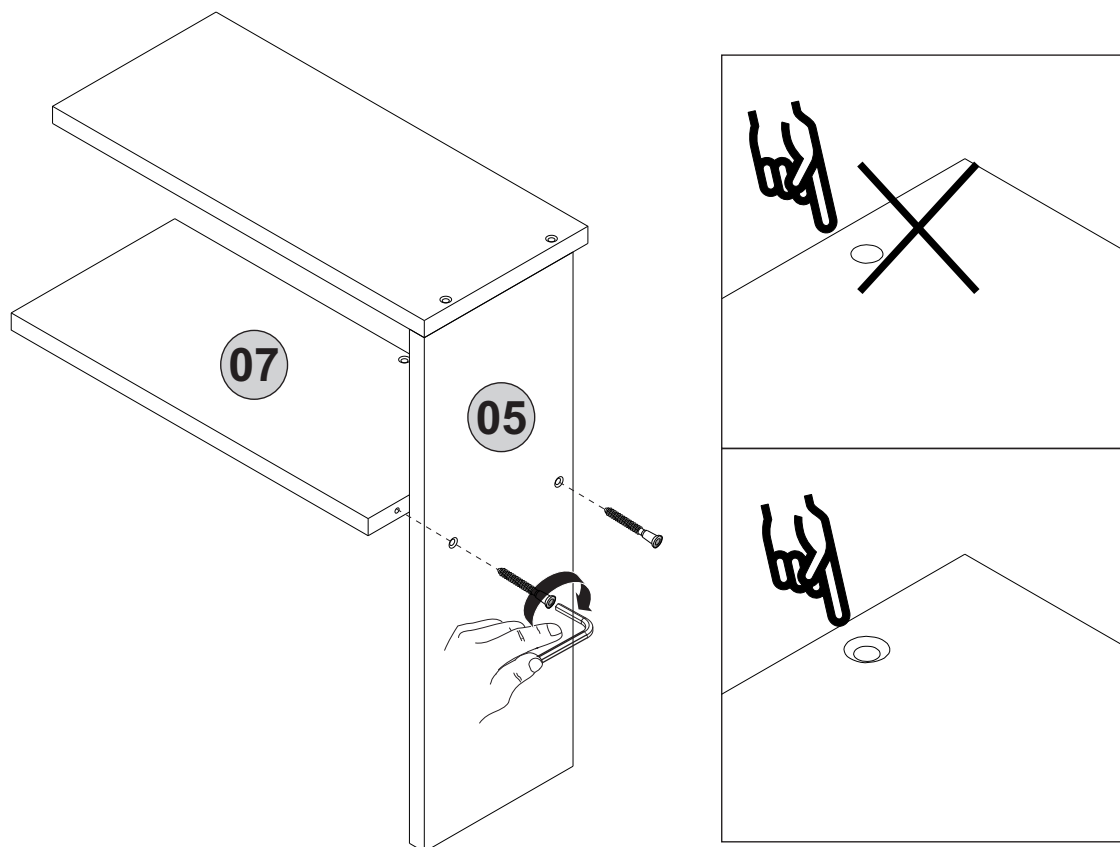
3. step



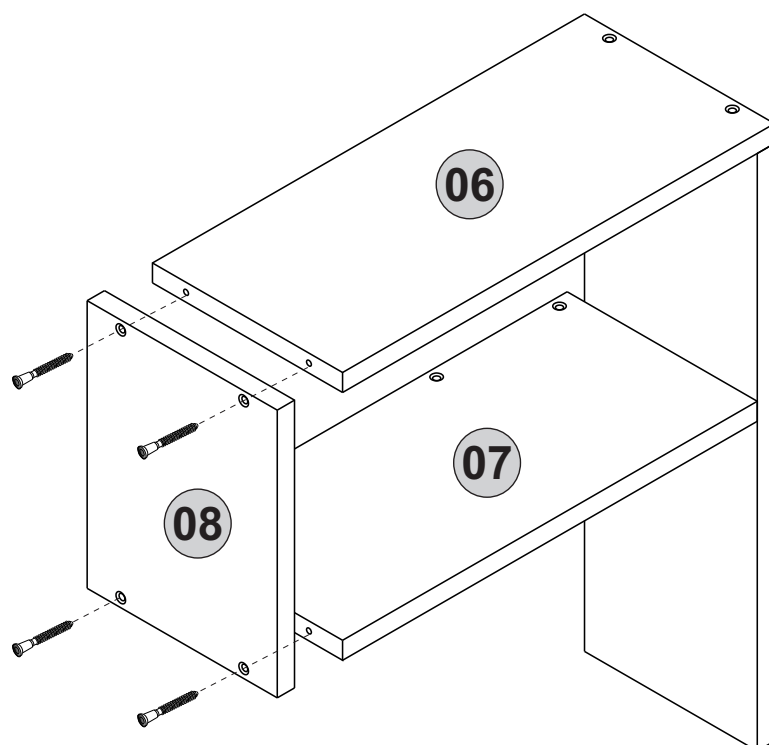
4. step



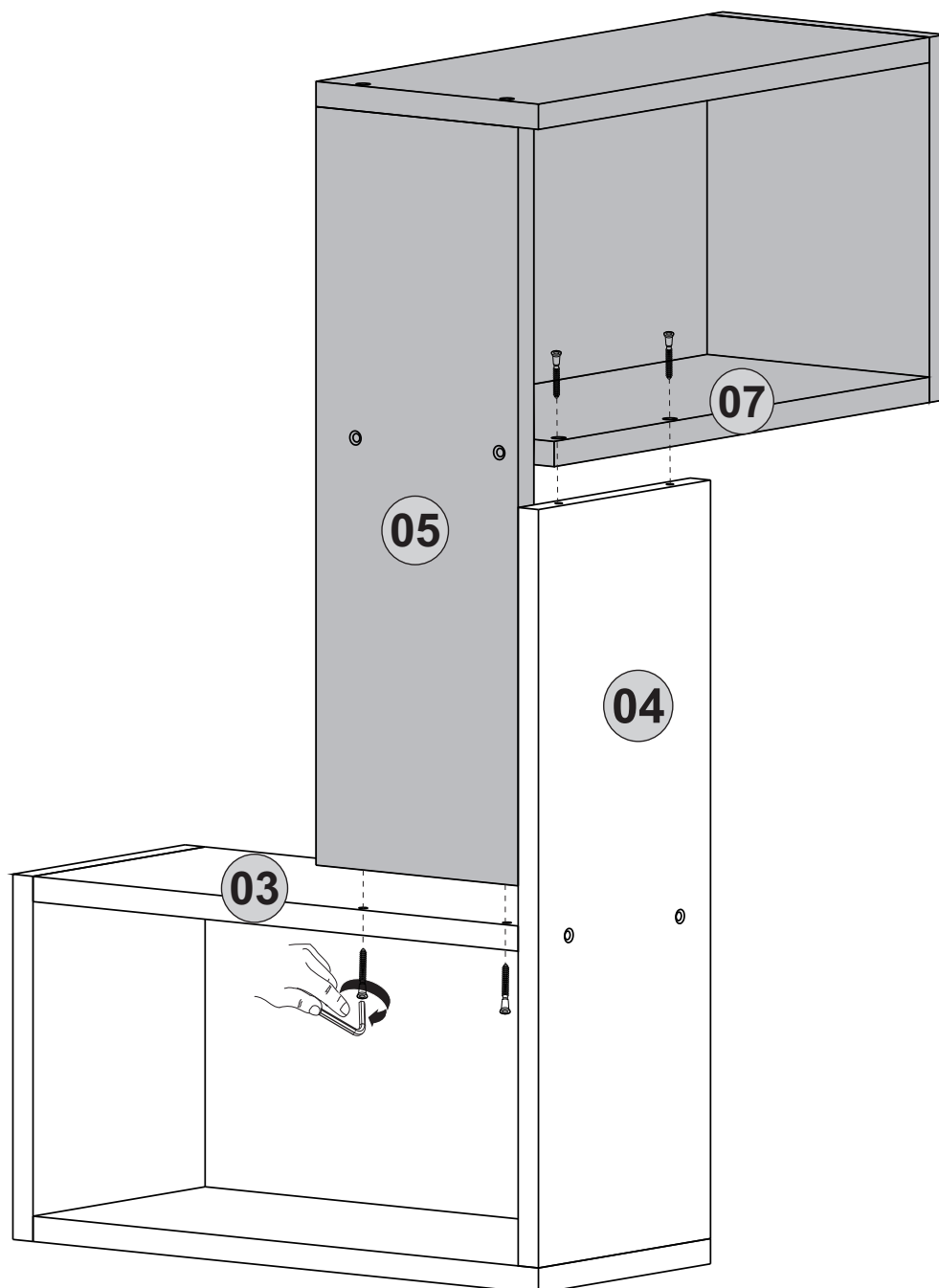
5^{step}



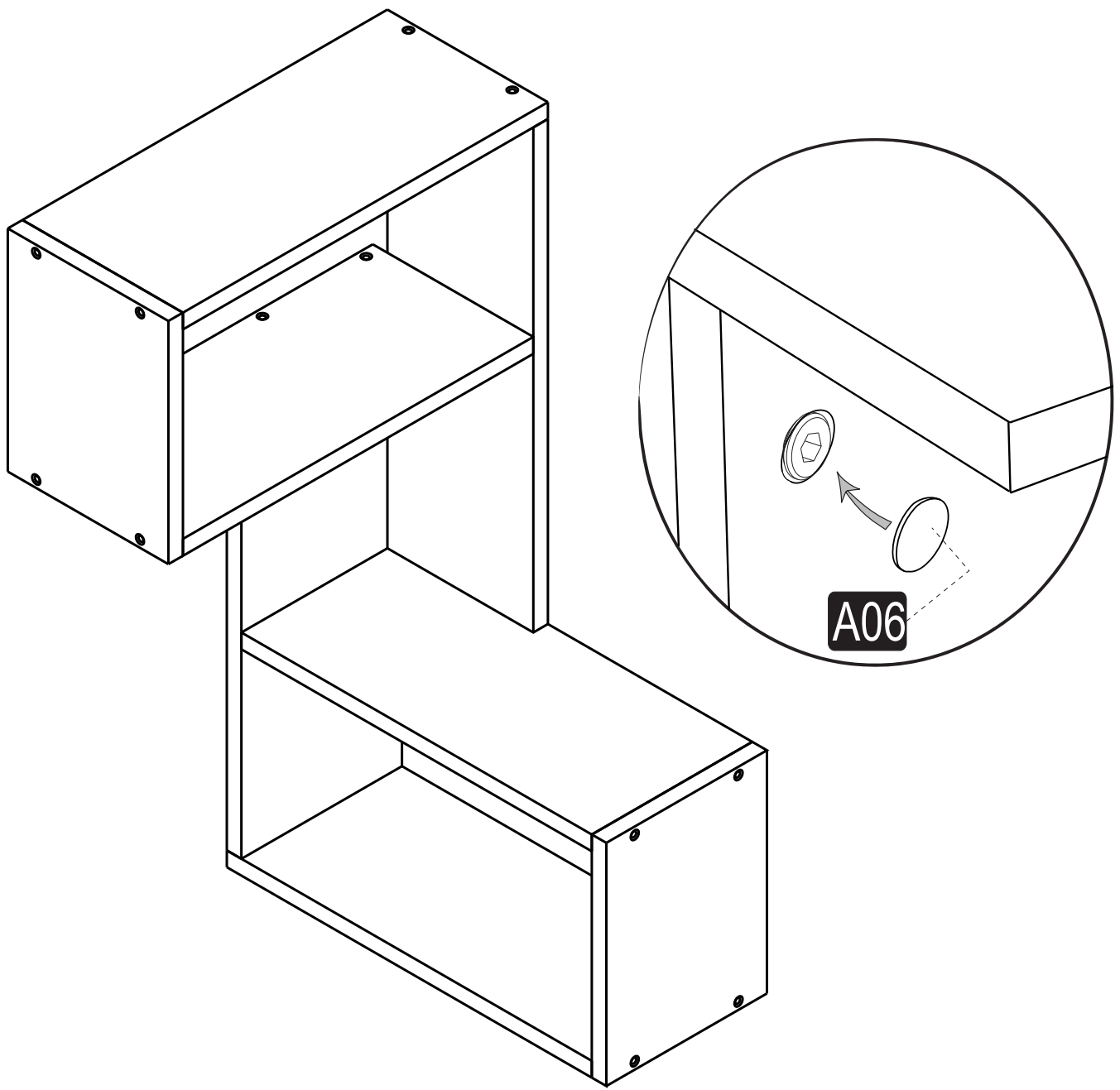
6^{step}



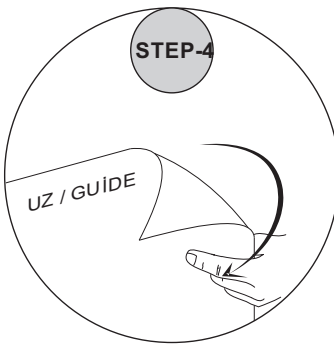
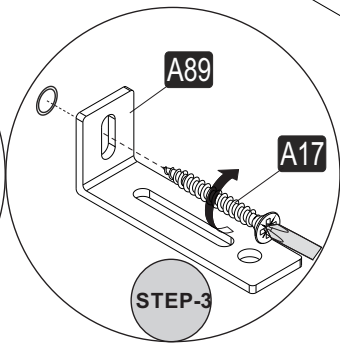
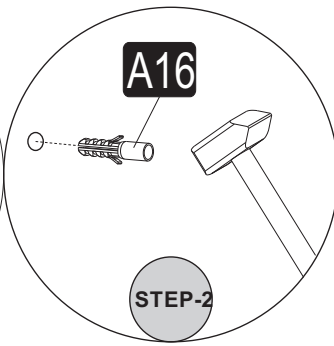
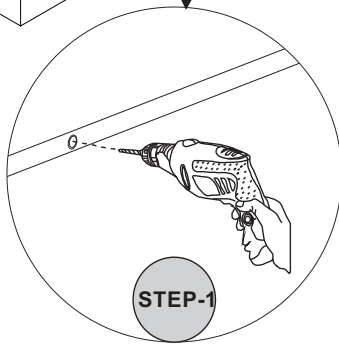
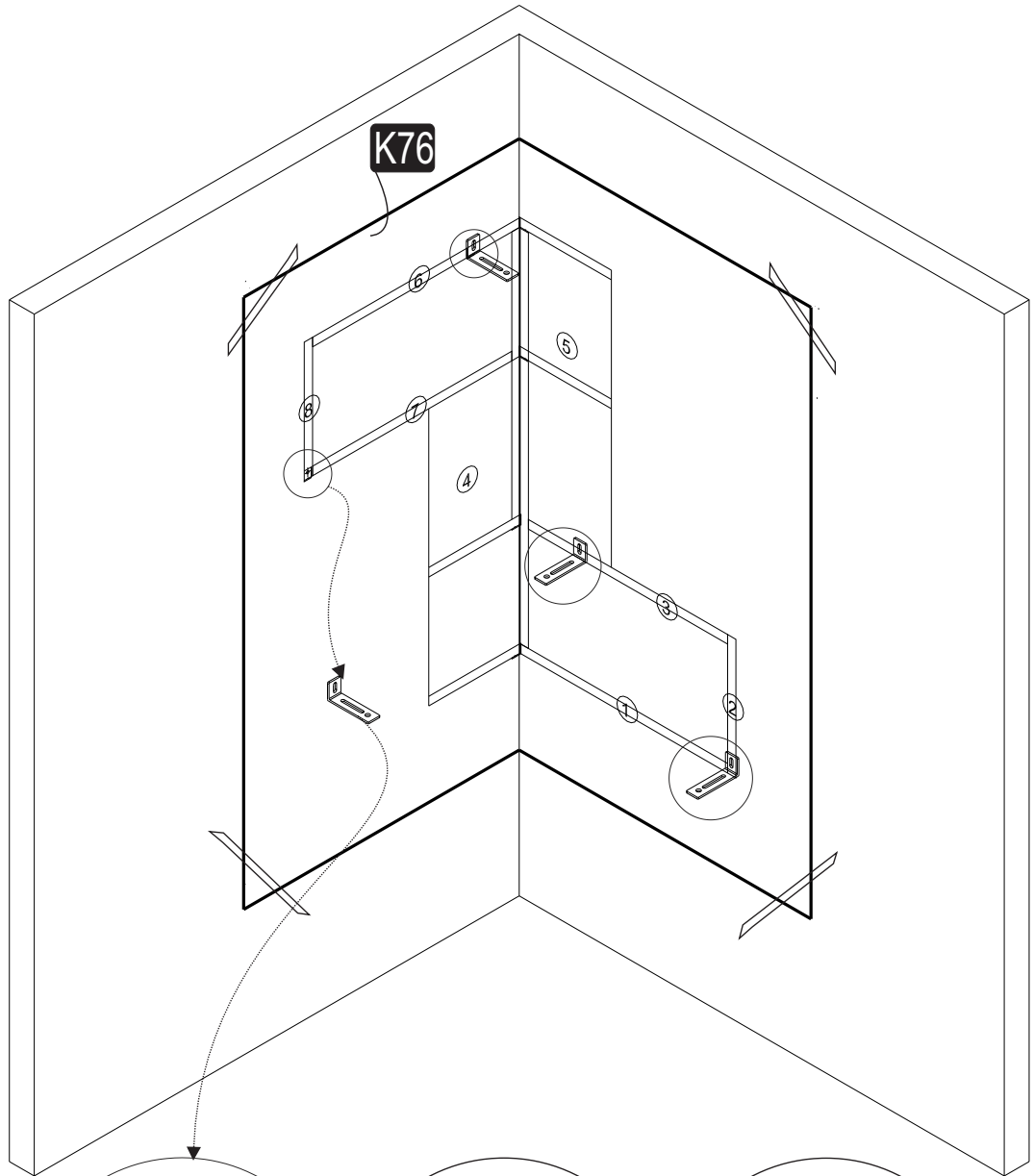
7. step



8 step



9^{step}



10.^{step}

