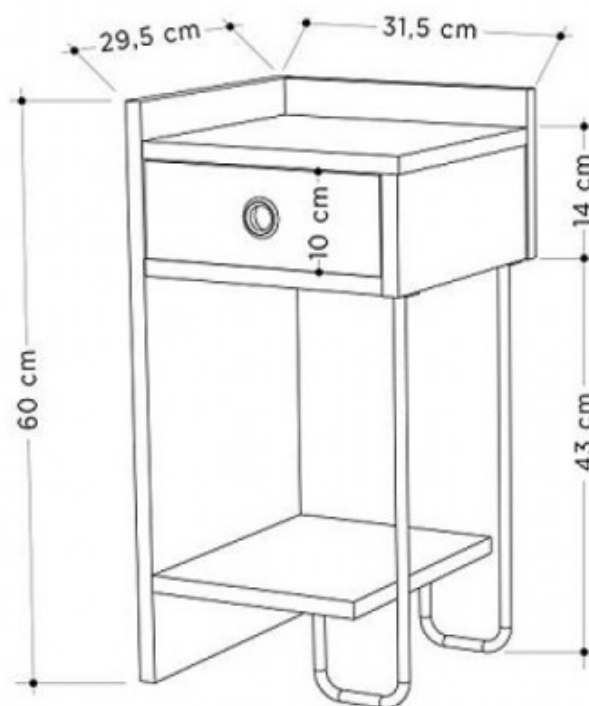


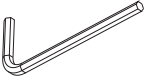





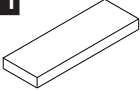
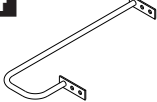
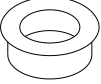
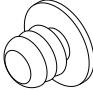
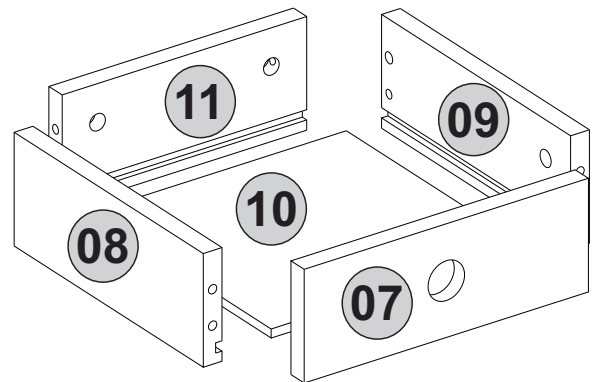
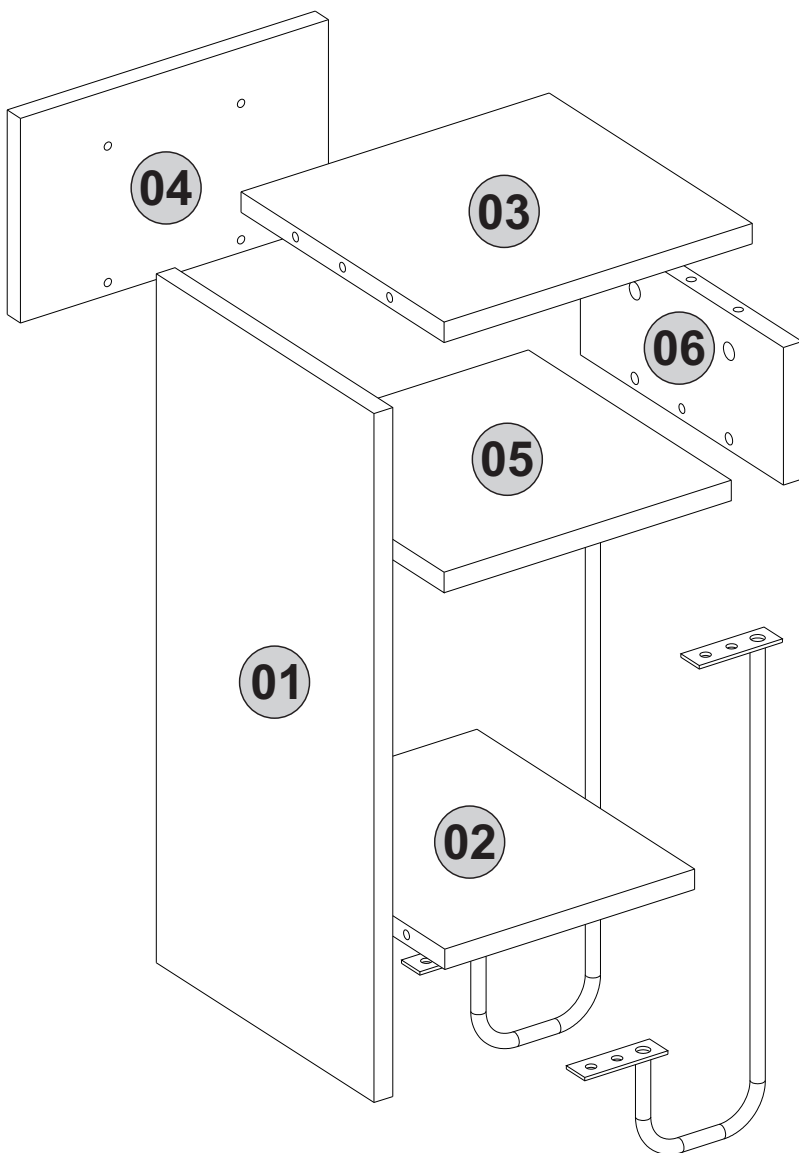


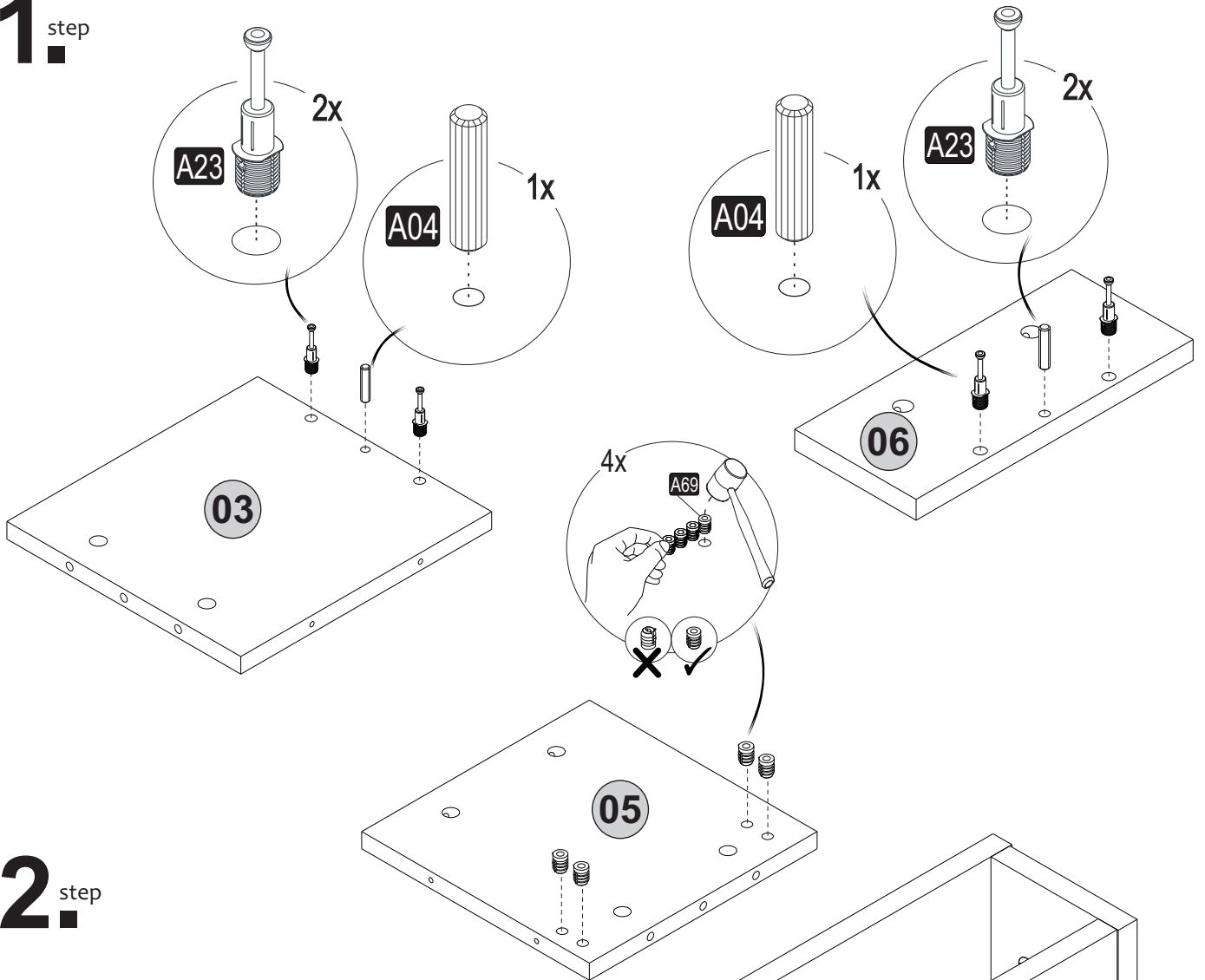
**i** GP037-0164,1



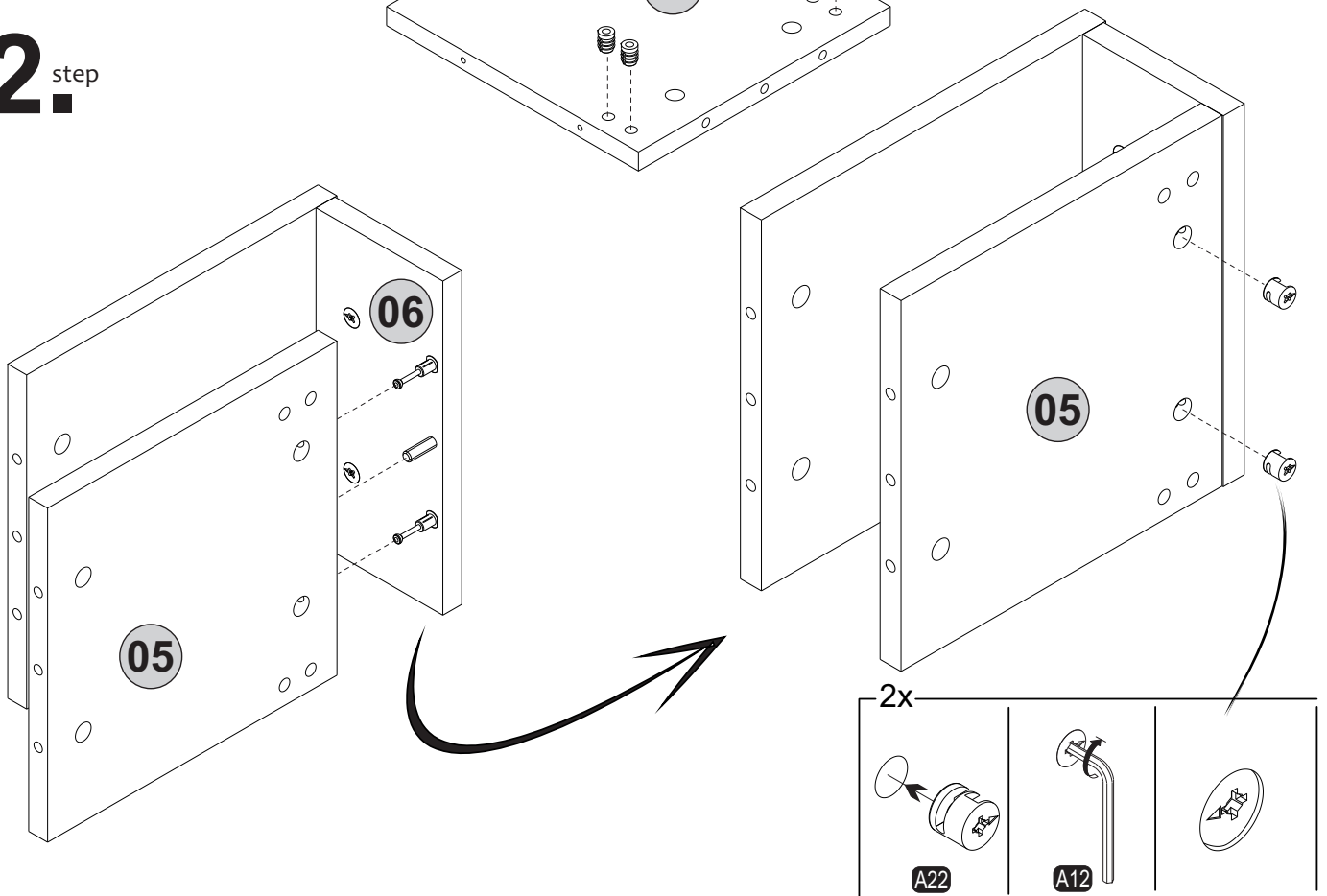
<b>A04</b> Ø8  9x	<b>A06</b> 18mm  C1-18x	<b>A12</b> Allen  1x	<b>A13</b> 50mm  4x	<b>A22</b> Minifix k18  14x
<b>A23</b> Minifix M10  14x	<b>A69</b> P.D.  8x	<b>B15</b> 15 (black)mm  8x	<b>PB01</b> Kece  2x	<b>Z24</b> Ma Ay004  2x
<b>Z37</b> 35mm pygk (Black)  1x	<b>Z54</b> Pp1501  2x			



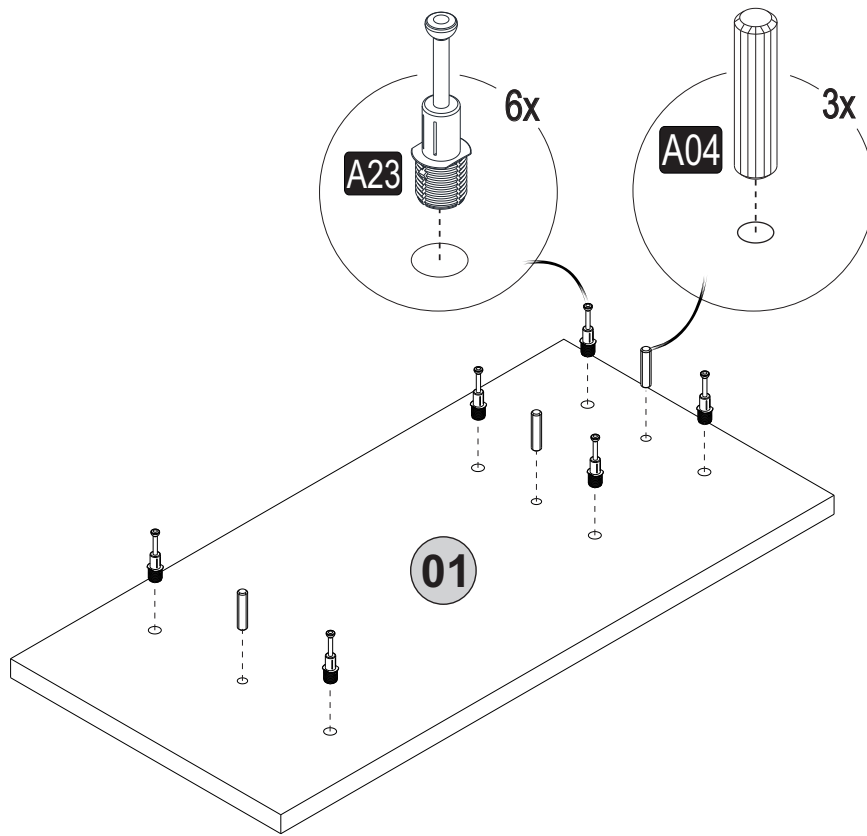
# 1. step



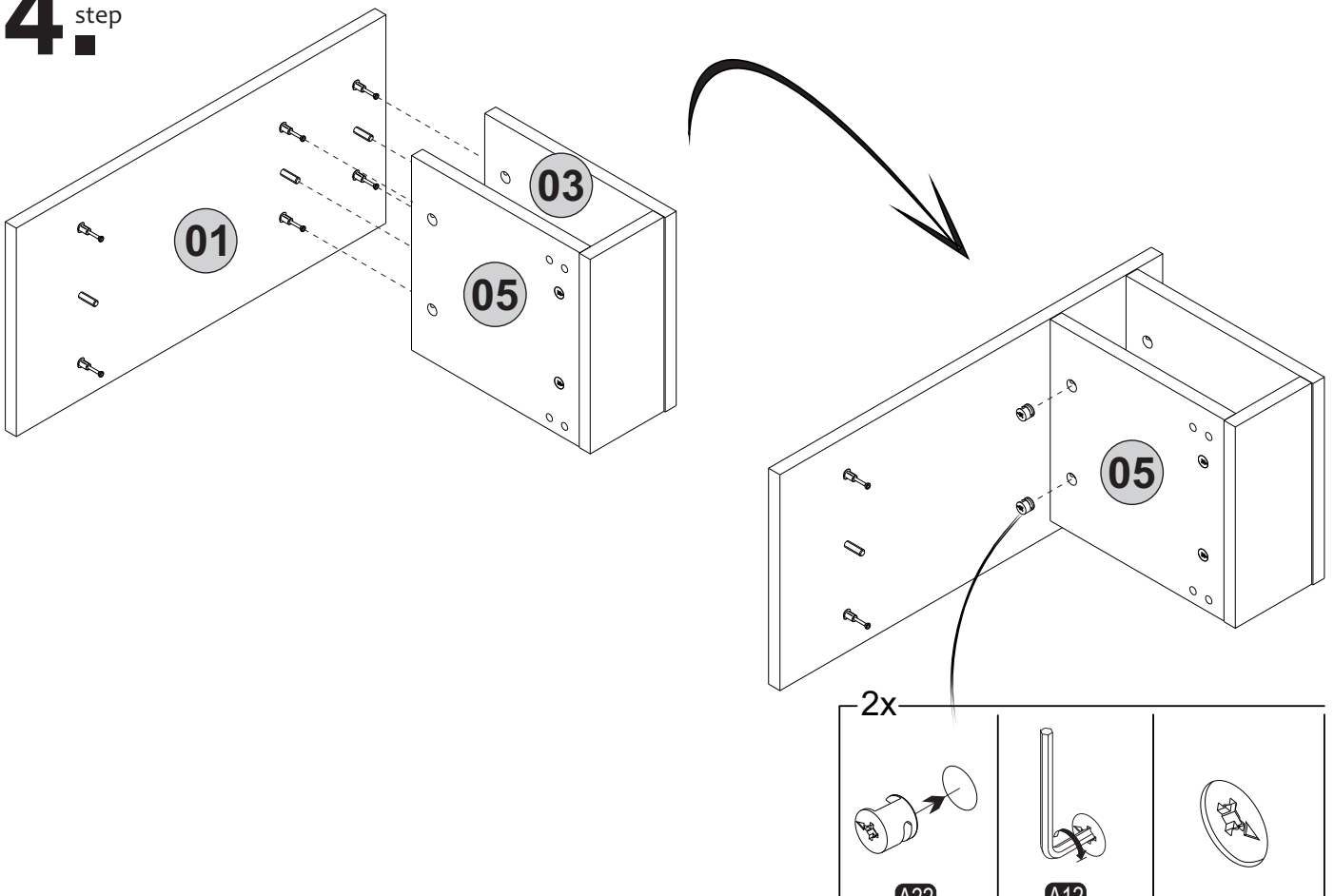
# 2. step



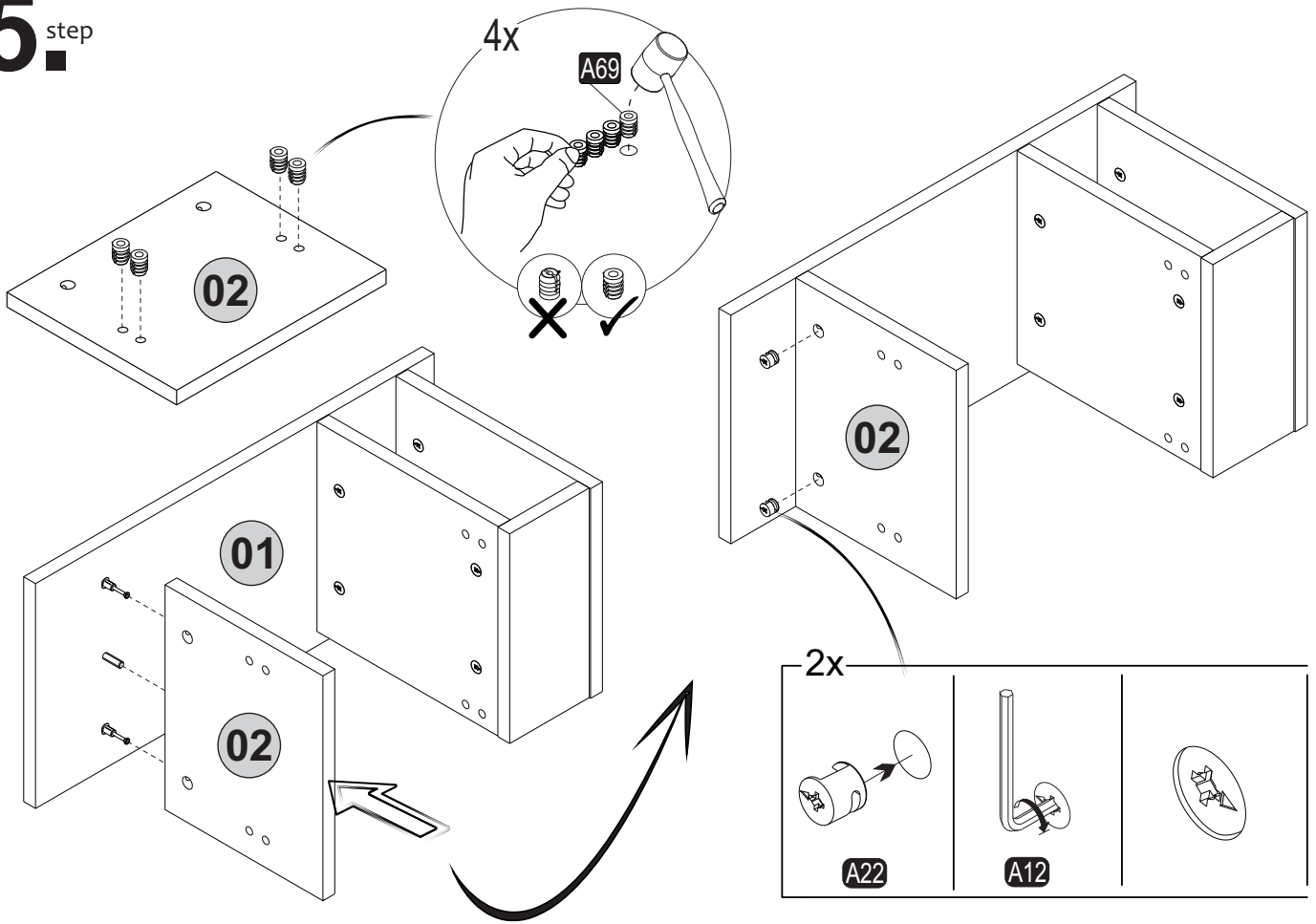
# 3. step



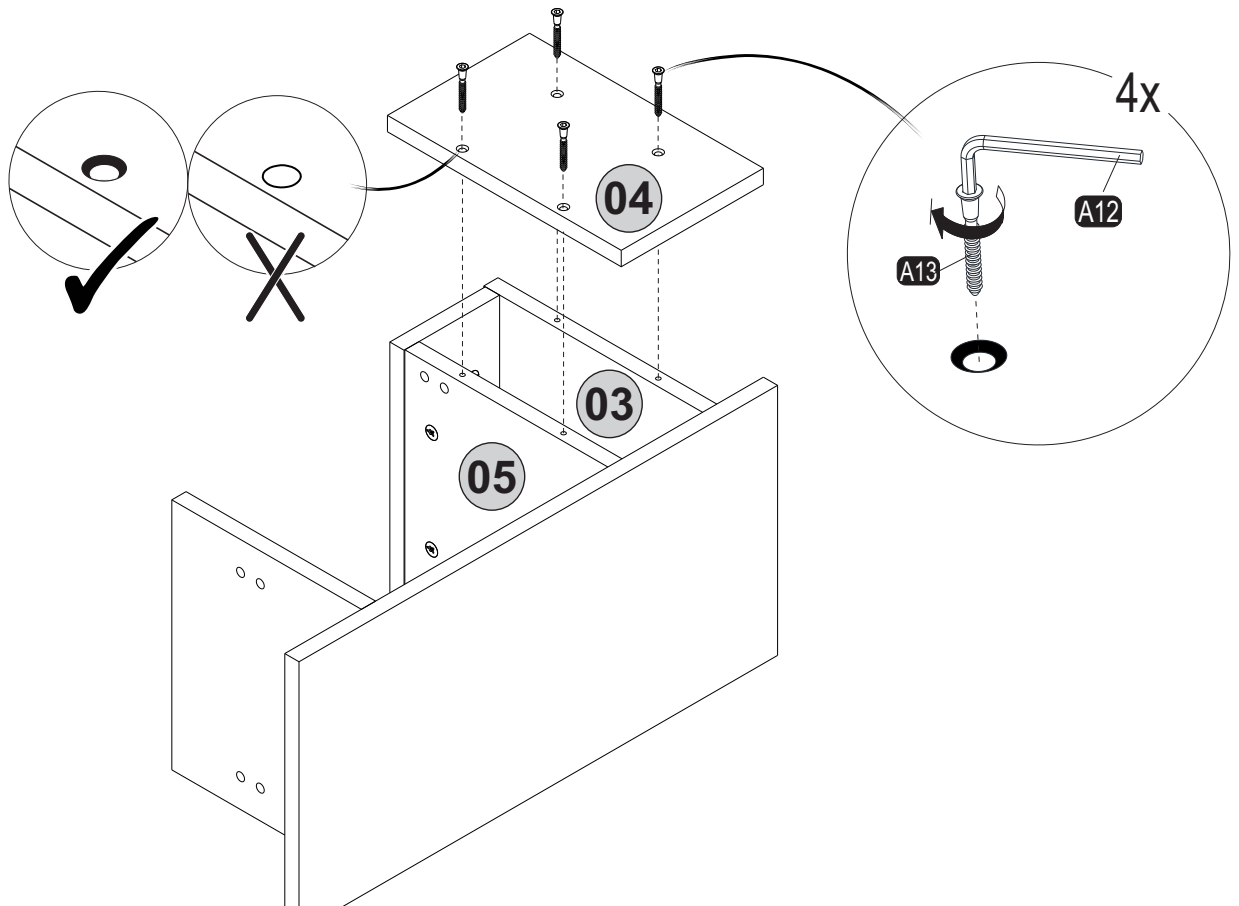
# 4. step



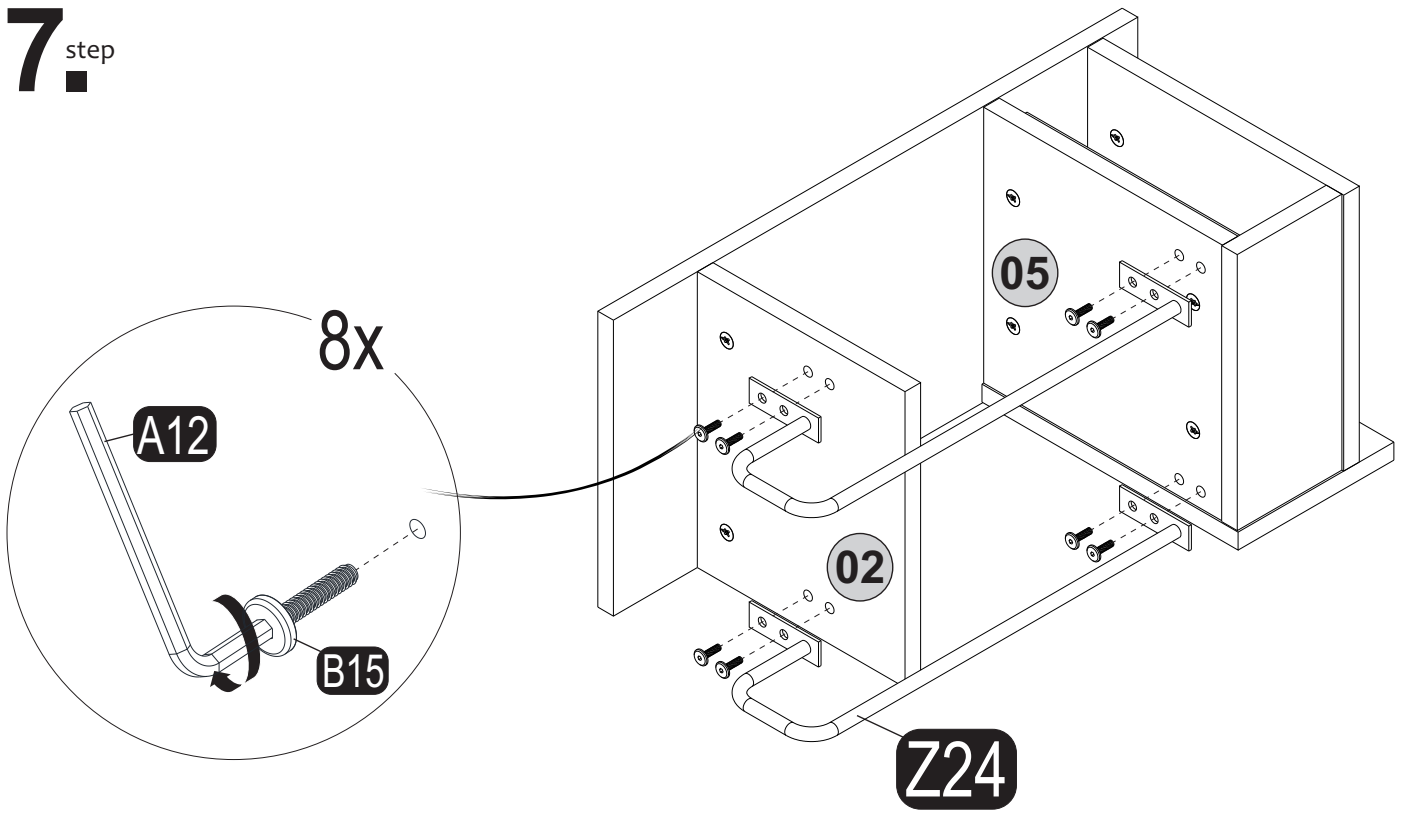
# 5. step



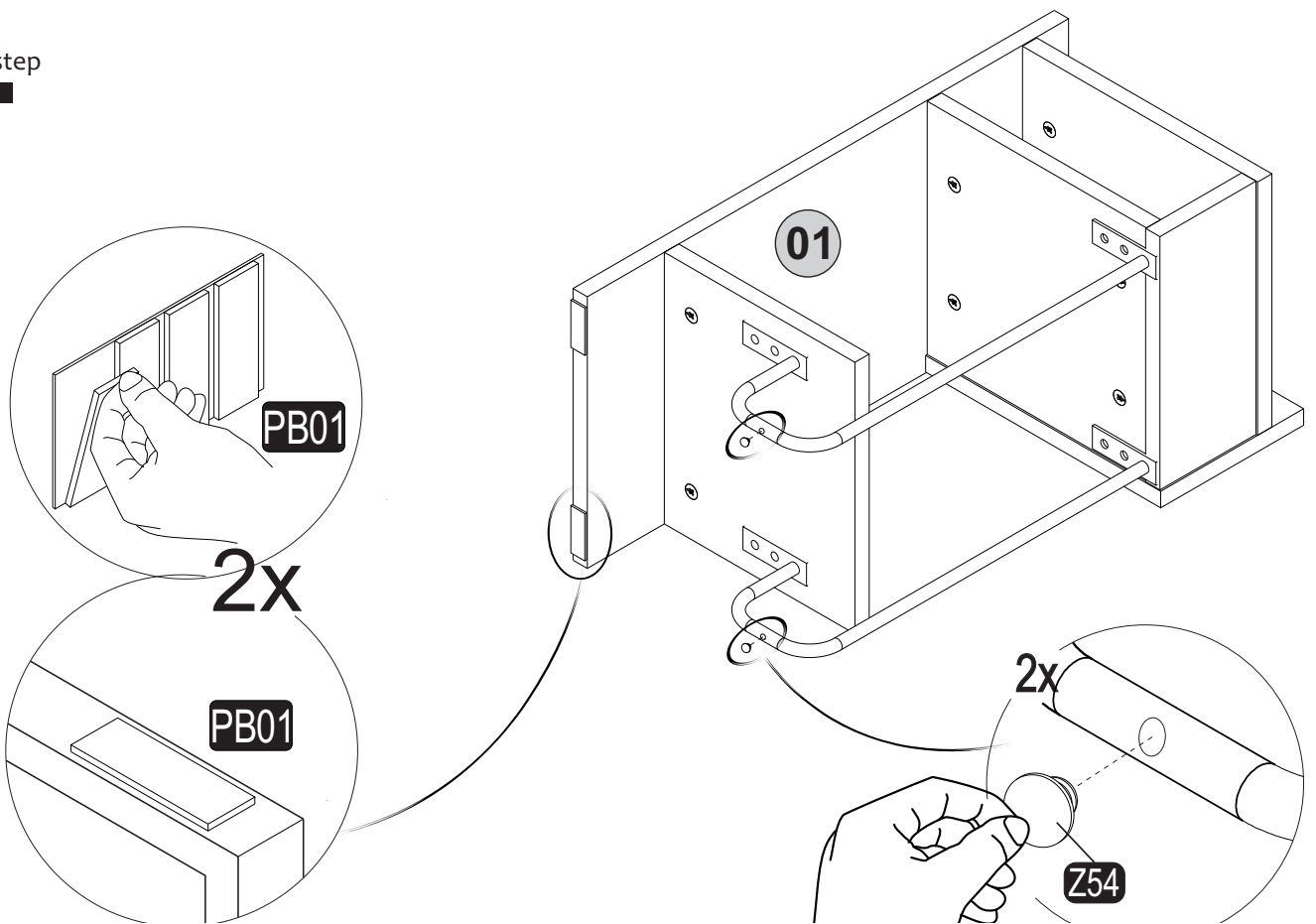
# 6. step



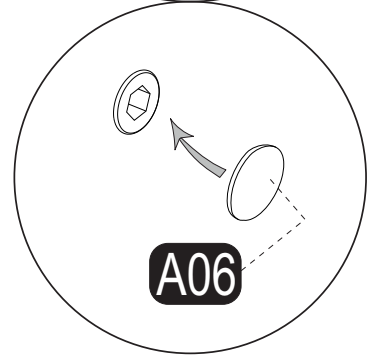
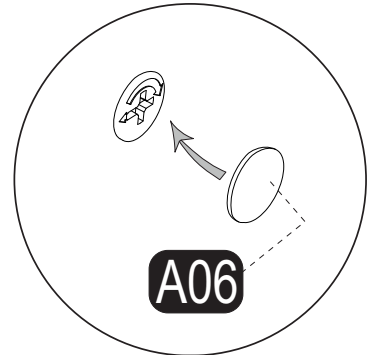
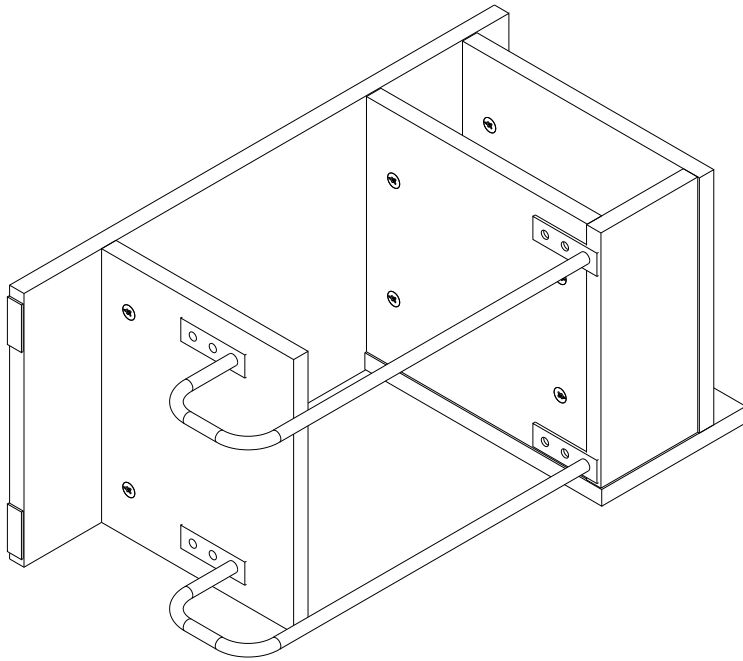
**7** step



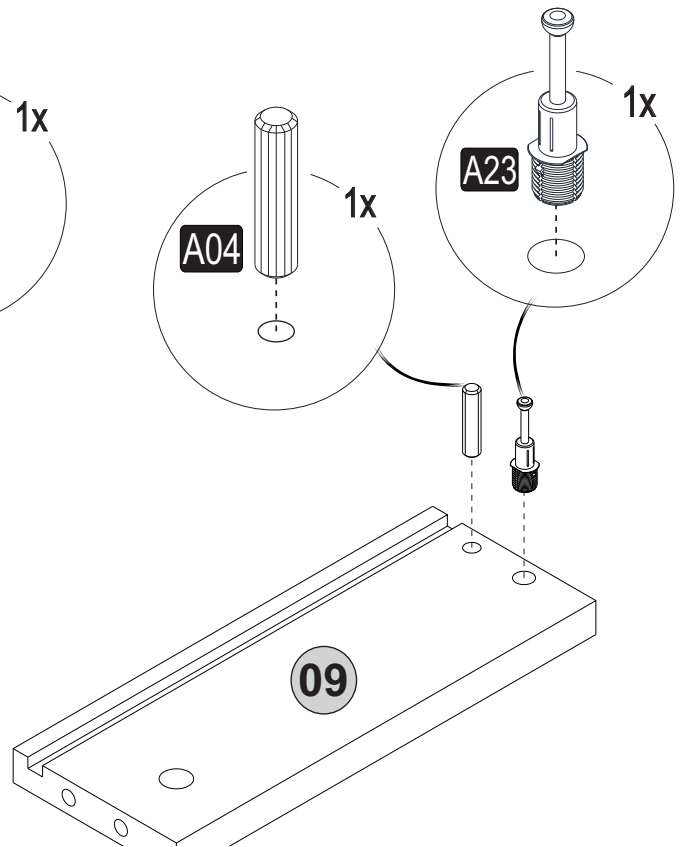
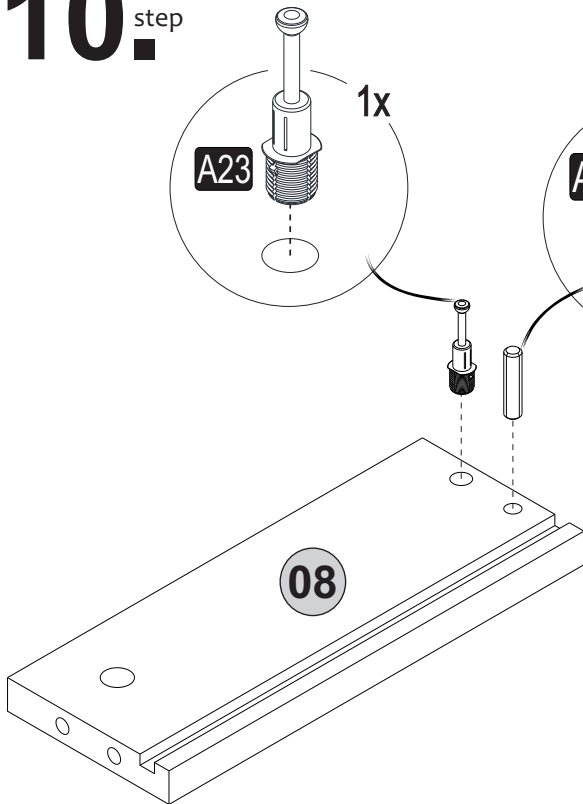
**8** step



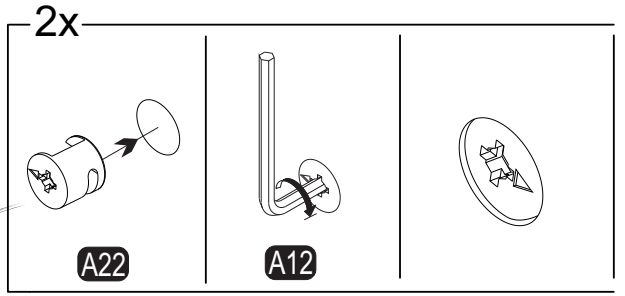
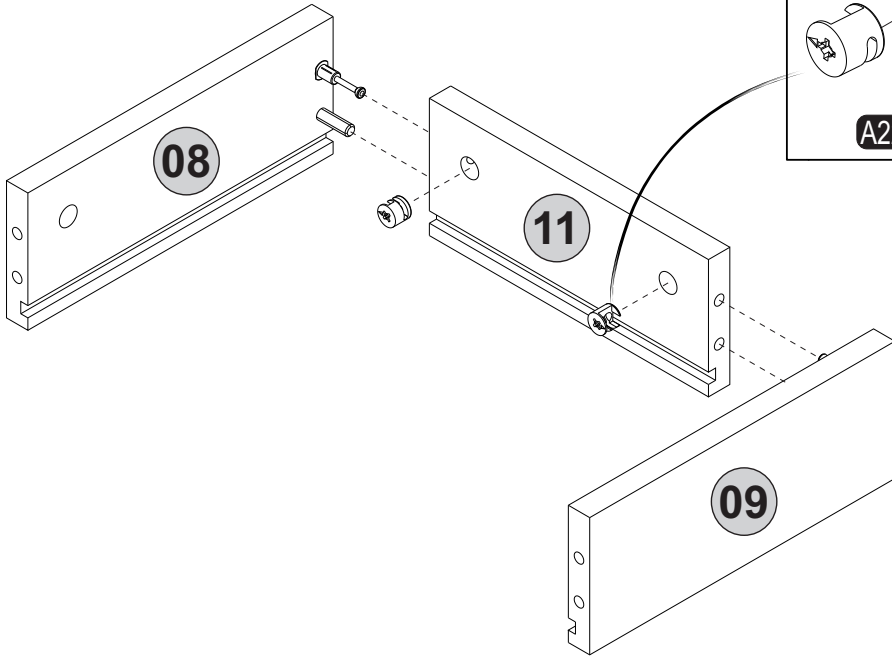
# 9<sup>step</sup>



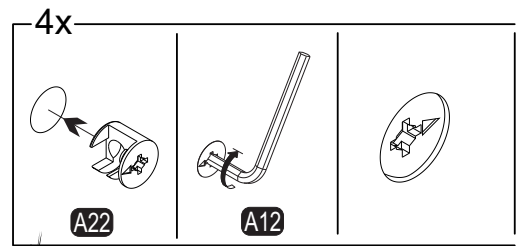
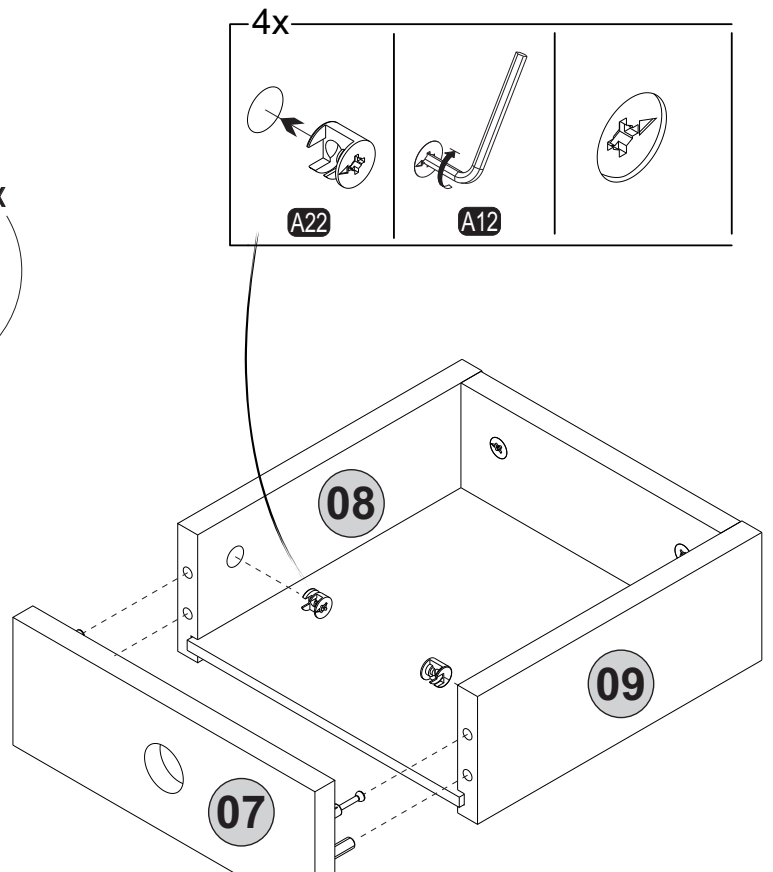
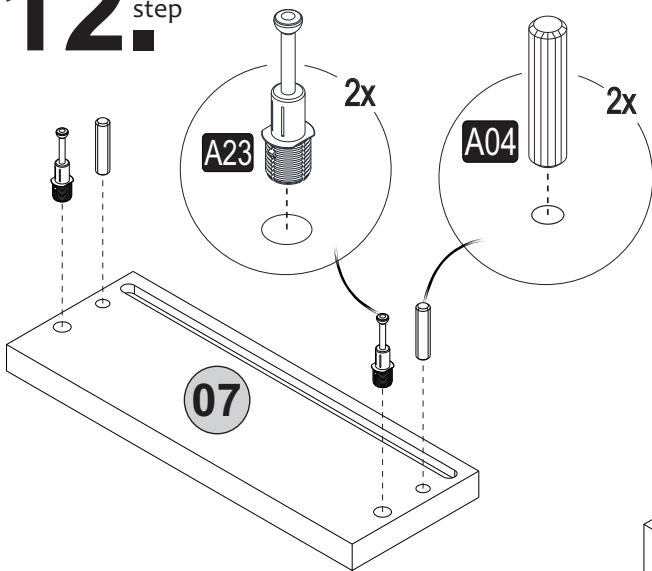
# 10<sup>step</sup>



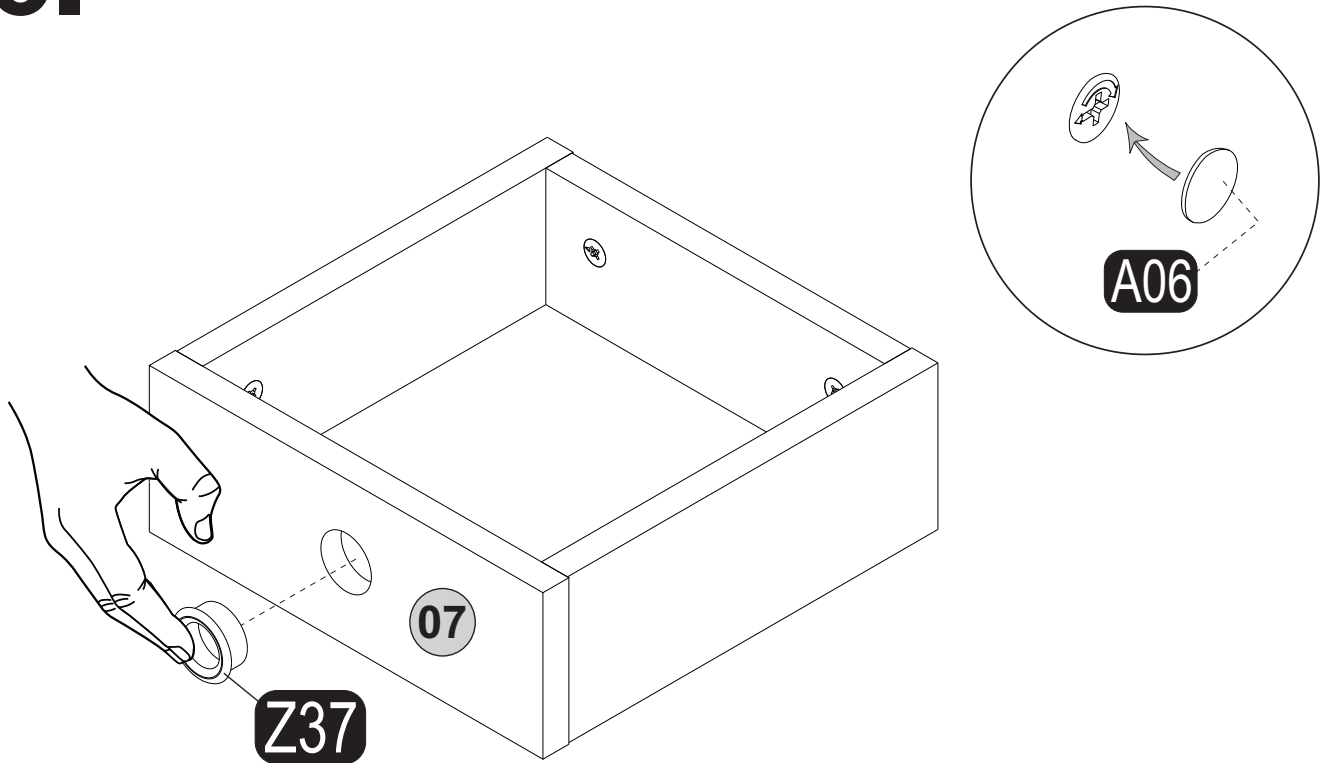
# 11.<sup>step</sup>



# 12.<sup>step</sup>



# 13.<sup>step</sup>



# 14.<sup>step</sup>

