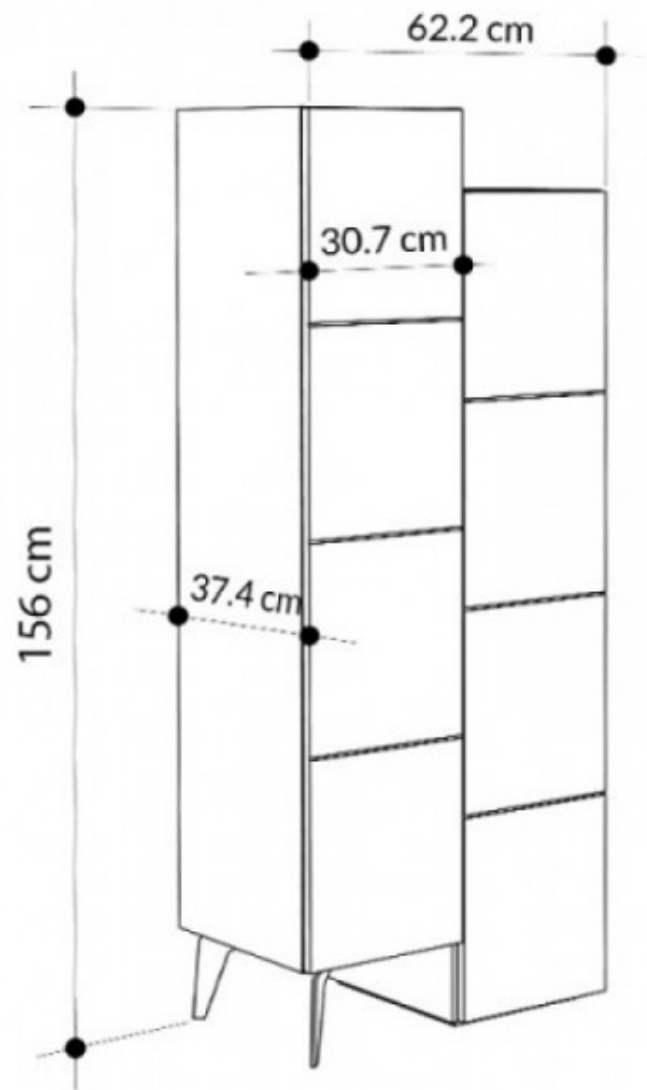
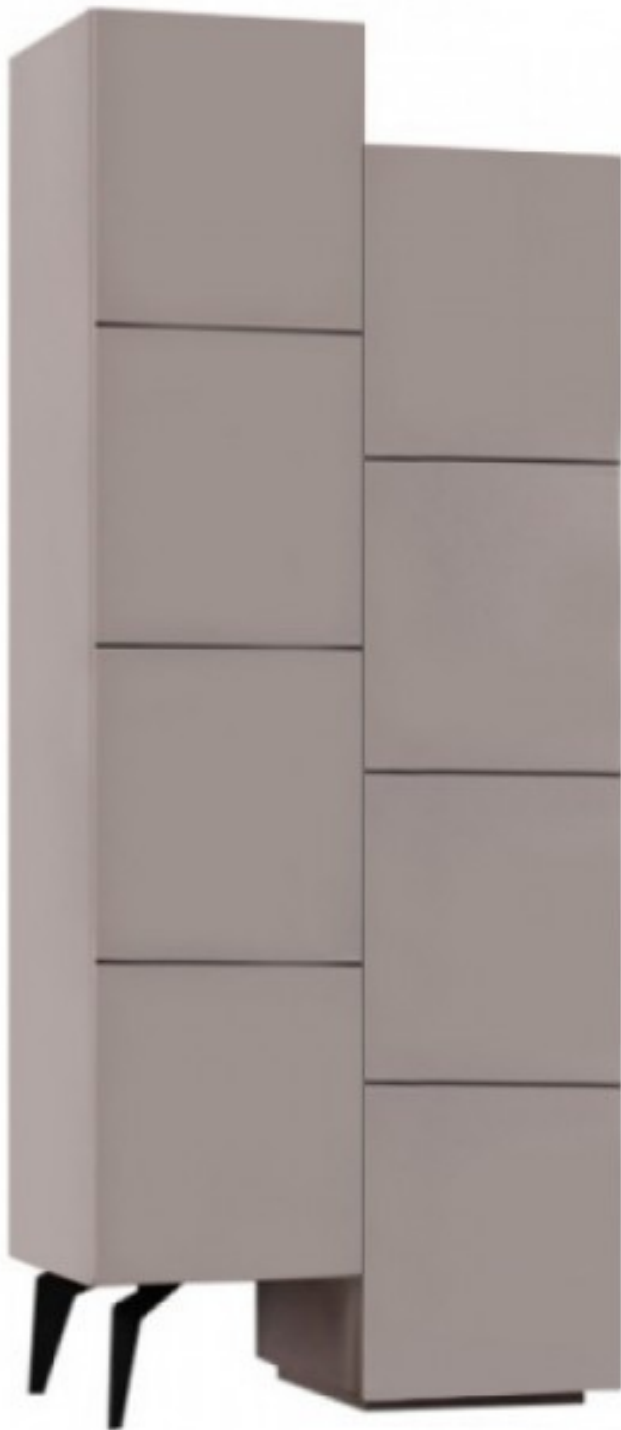
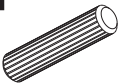



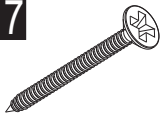



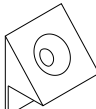
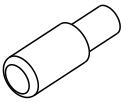

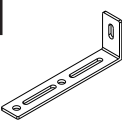


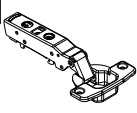
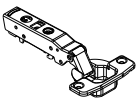
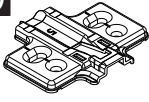
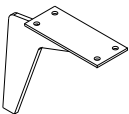
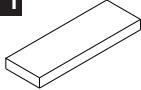
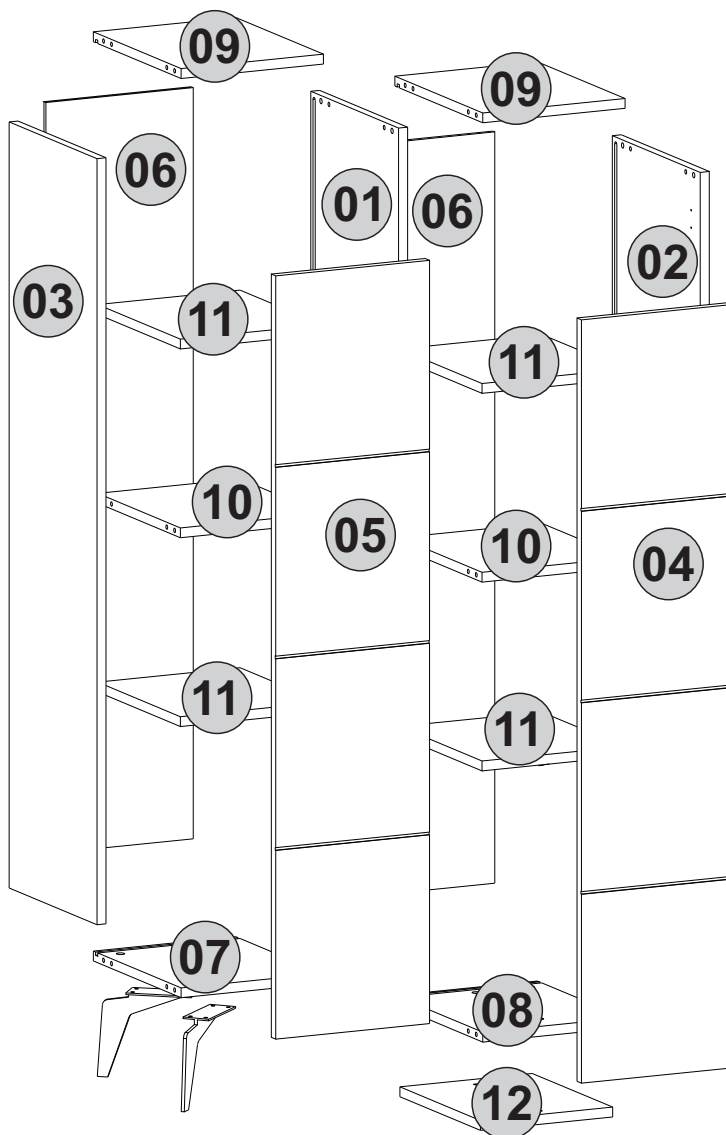


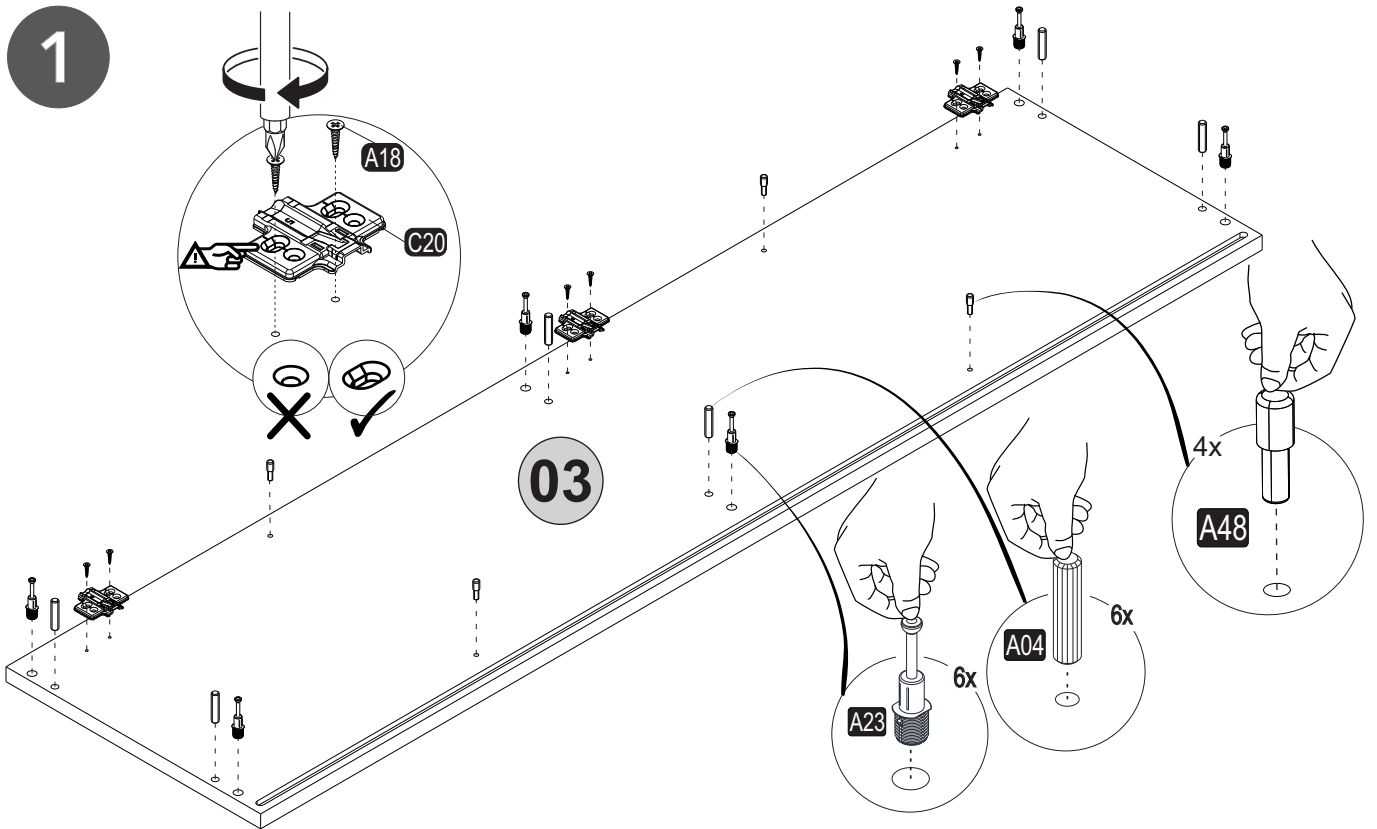
i GP037-0169,1



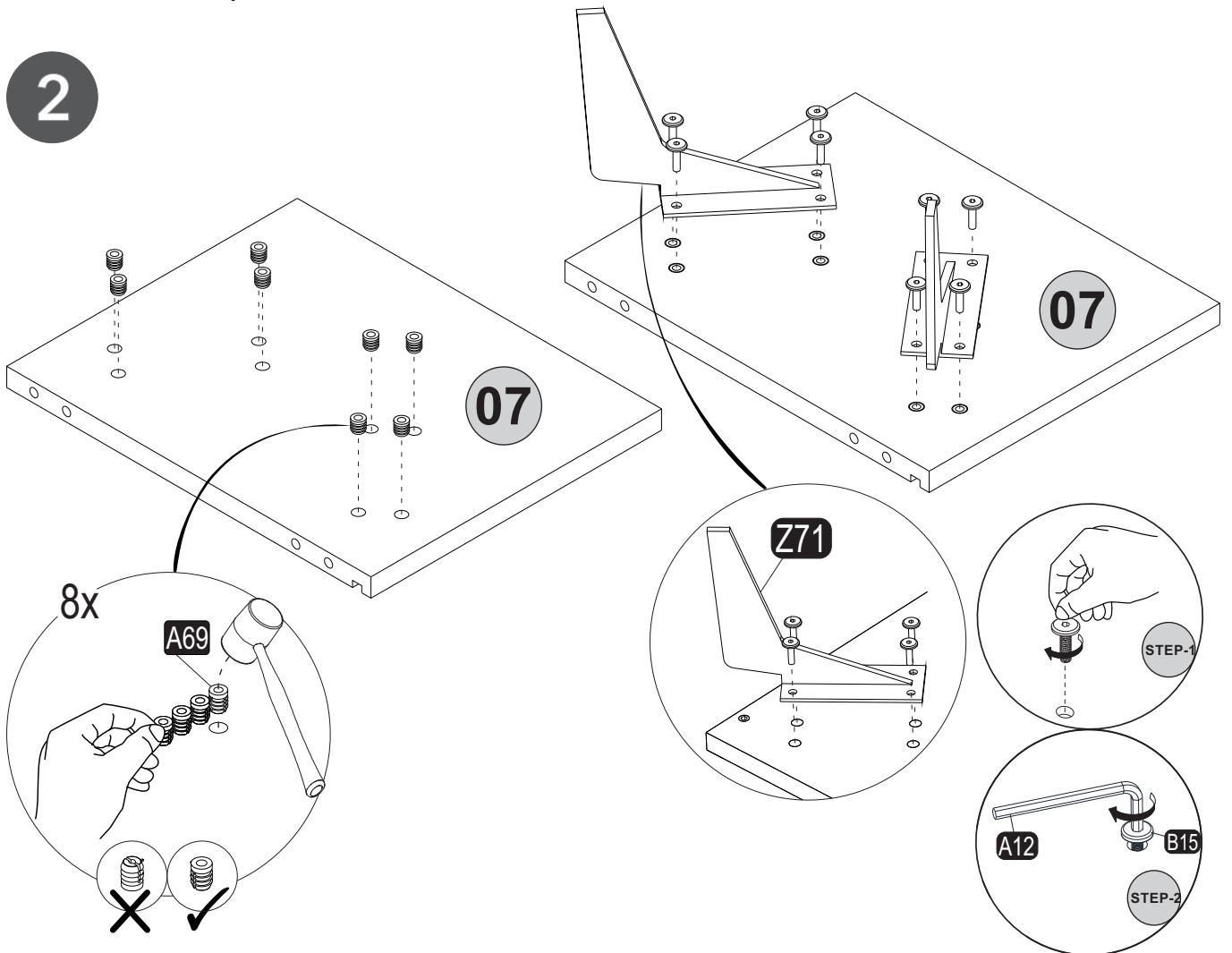
A04  Ø8 24x	A06  18mm C1-24x	A12  Allen 1x	A16  DbØ8 1x	A17  4X50 1x
A18  3,5x18 50x	A22  Minifix k18 24x	A23  Minifix M10 24x	A25  ARK.PL 12x	A48  Raf Pimi 16x
A69  P.D. 10x	A87  15x90x30 1x	B03  25 mm 2x	B15  15 (black)mm 8x	C14  Dm(S) 4x
C17  DmF(S) 2x	C20  Mtk(S) 6x	Z71  LEG 2x	PB01  Kece 4x	



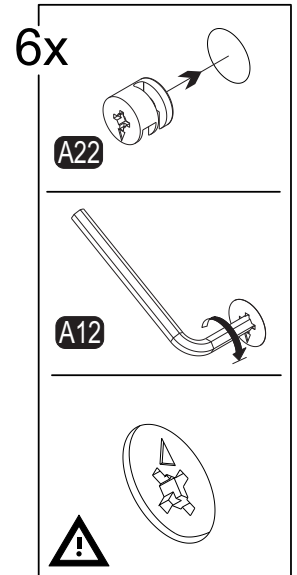
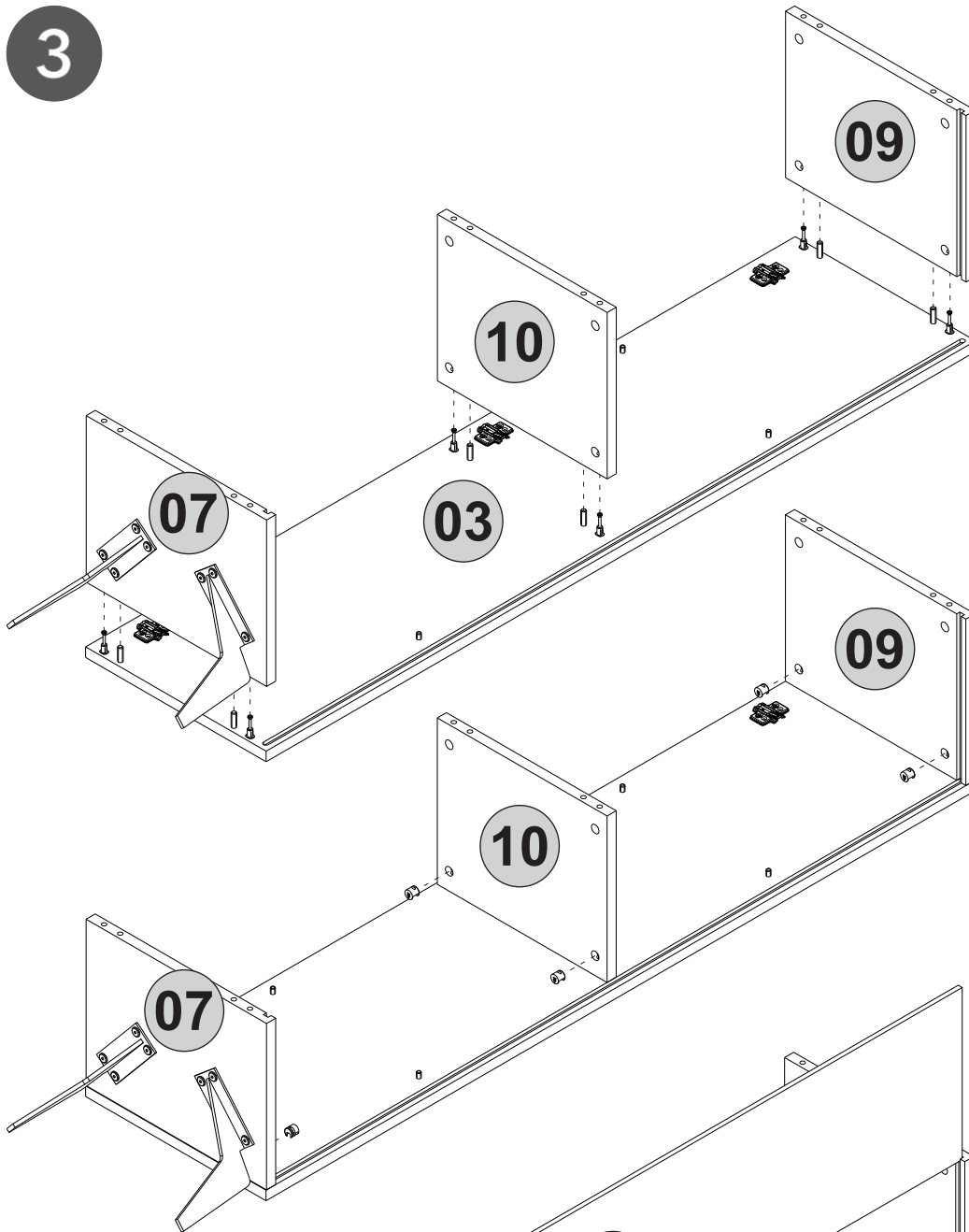
1



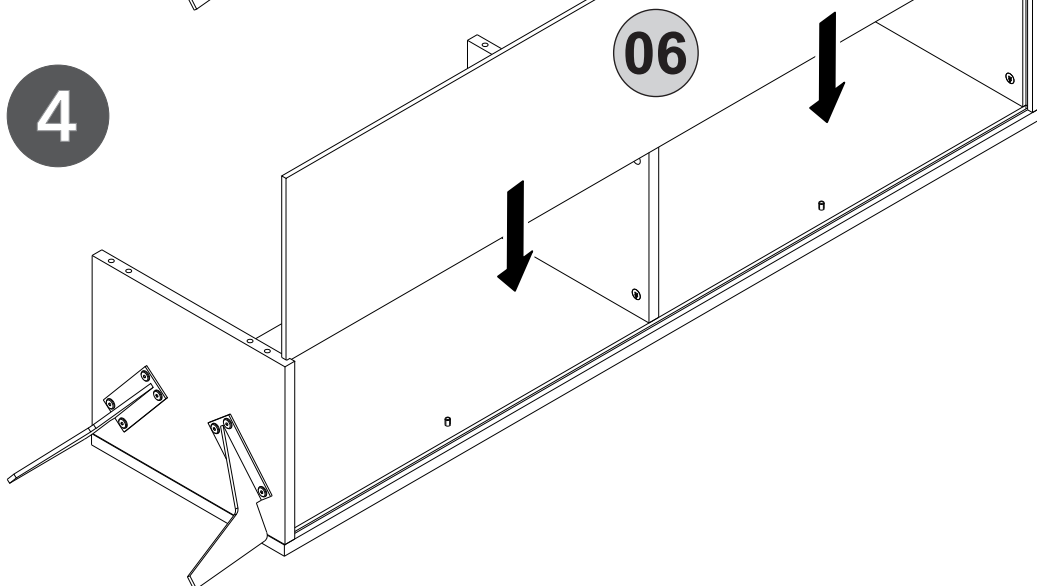
2

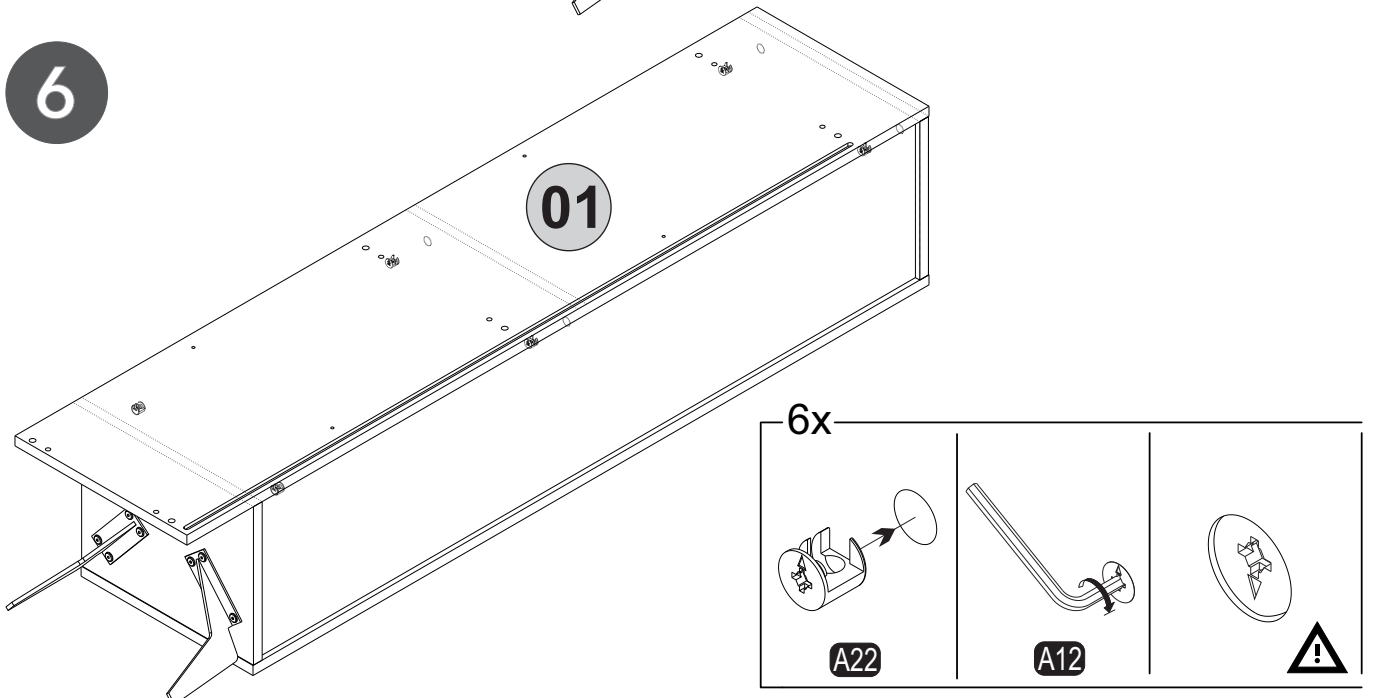
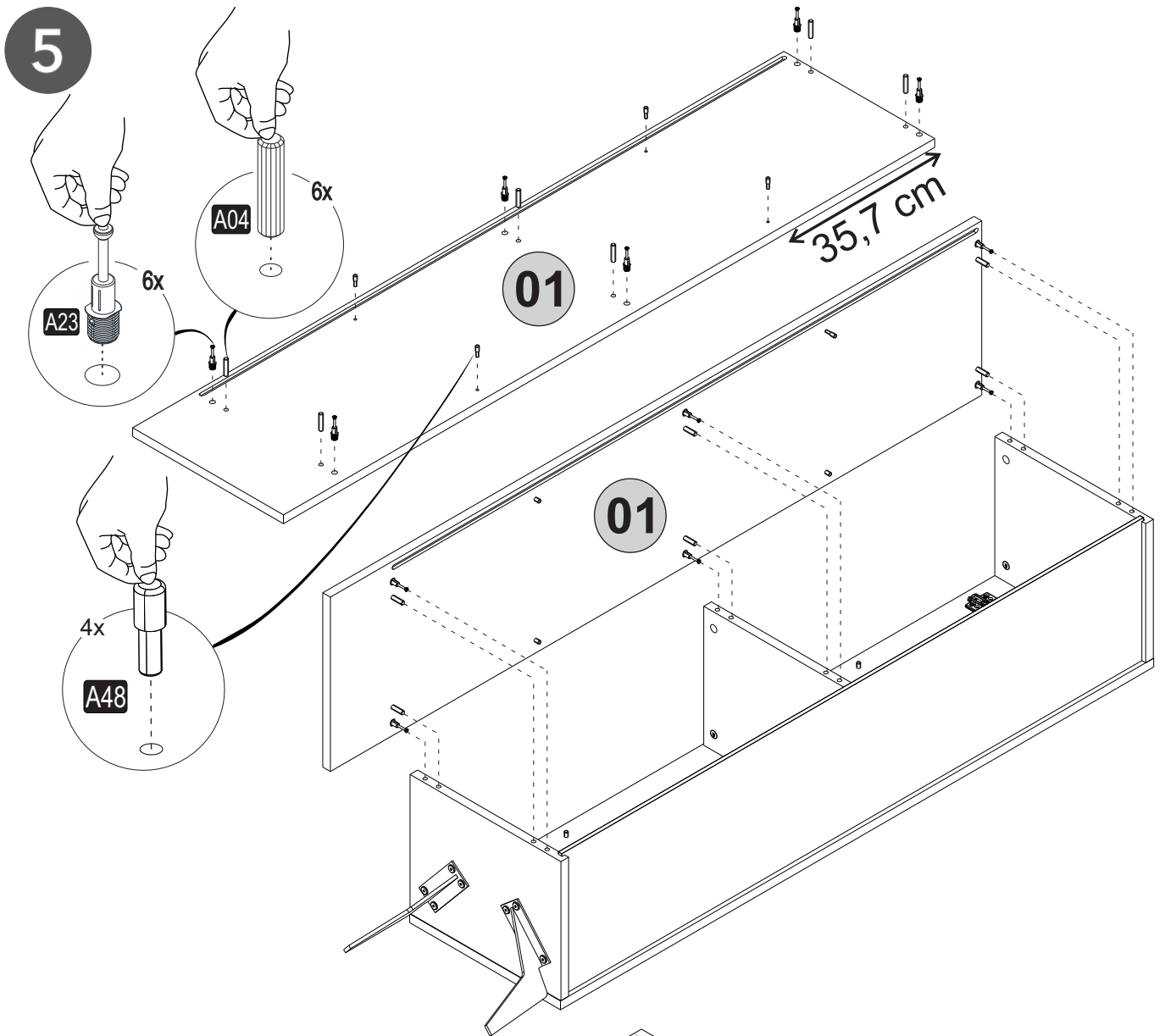


3

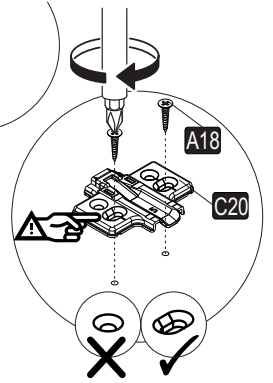
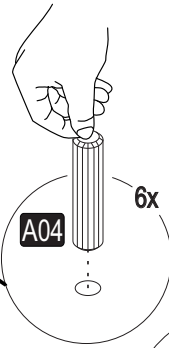
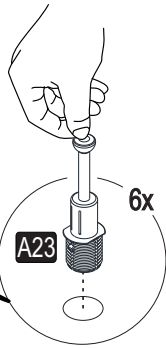
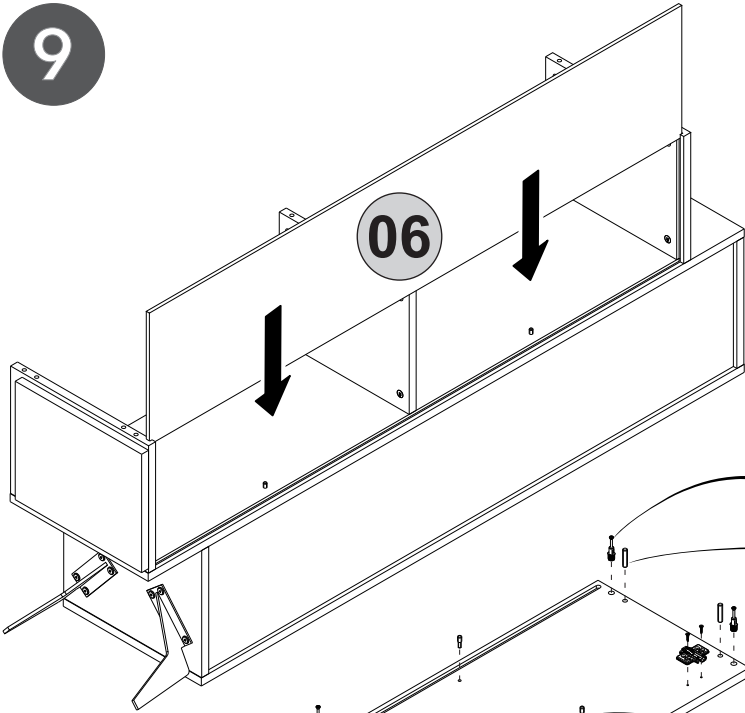


4

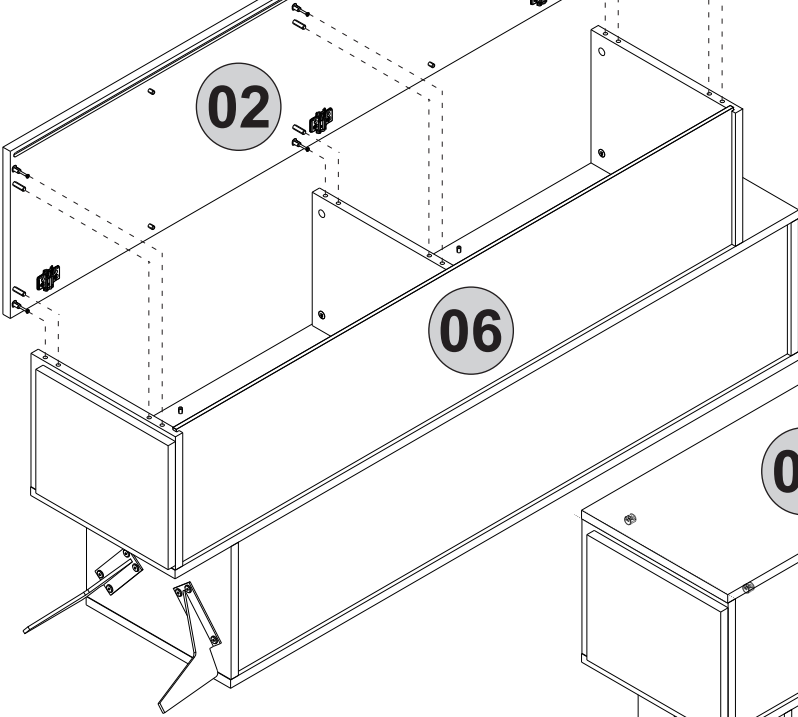
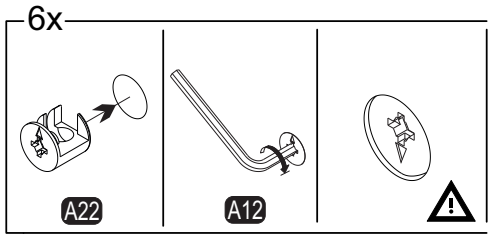
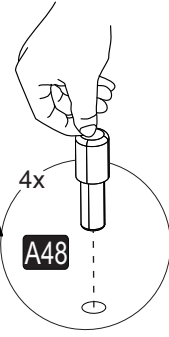
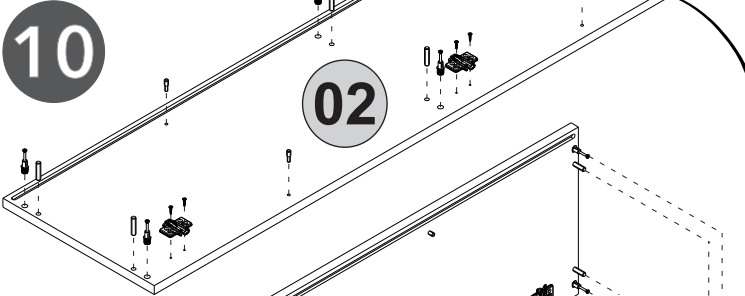




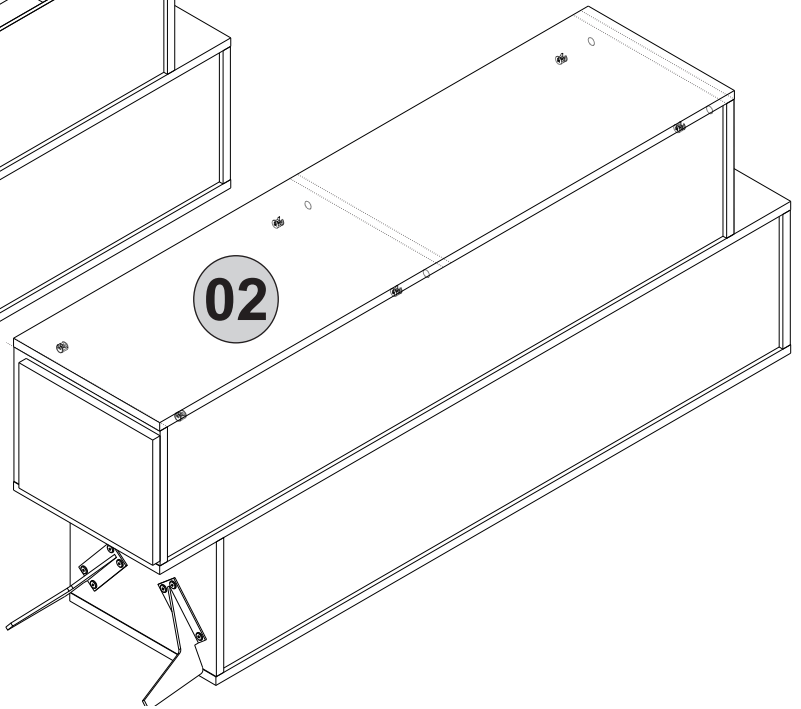
9



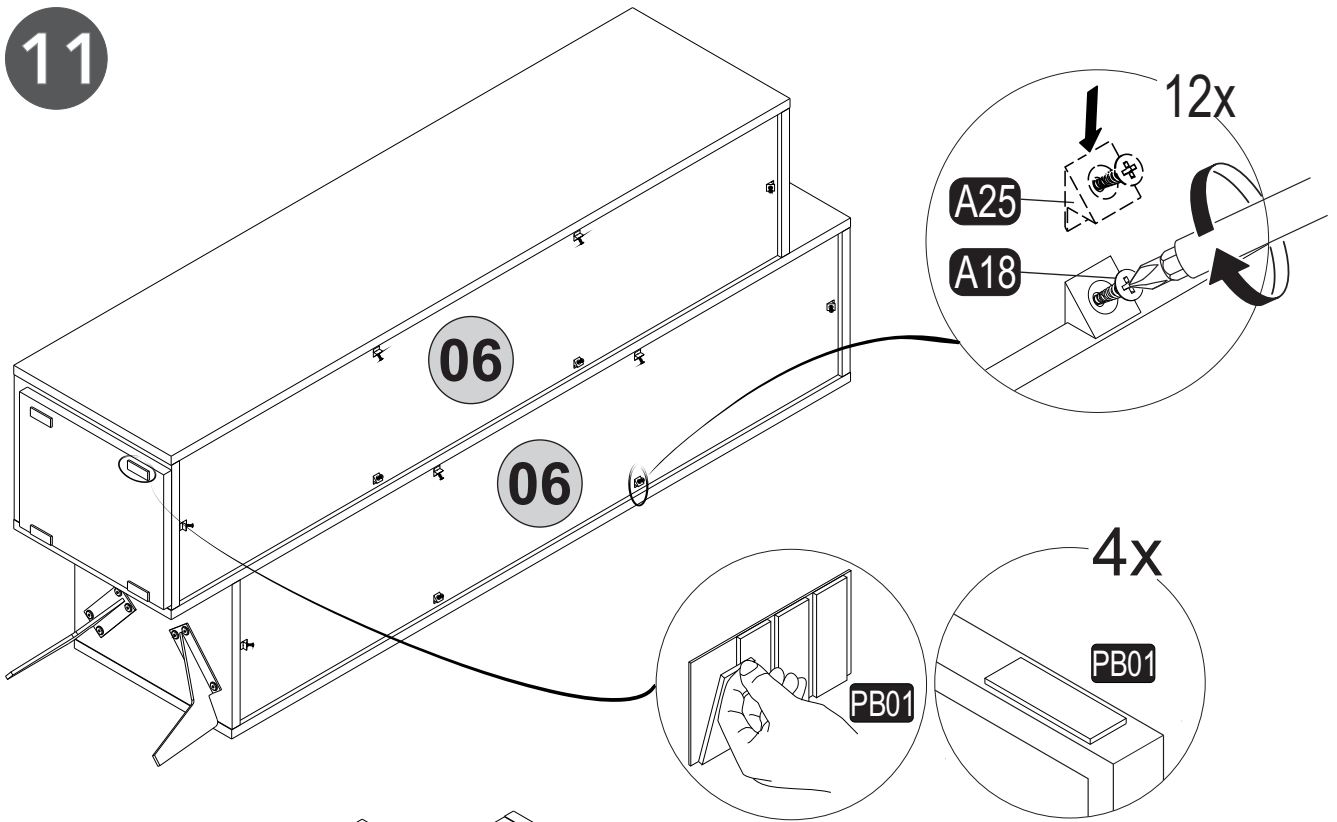
10



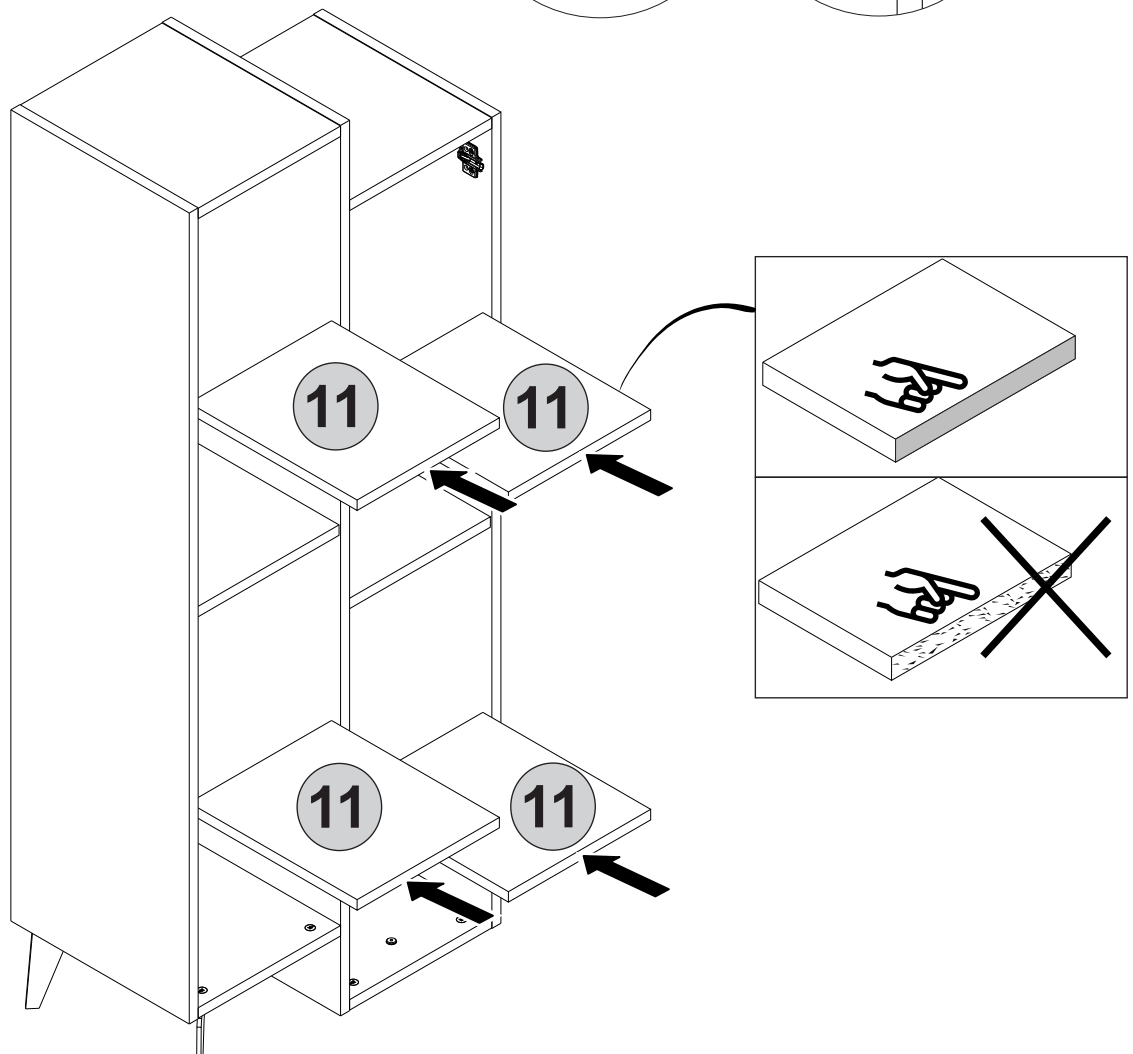
02



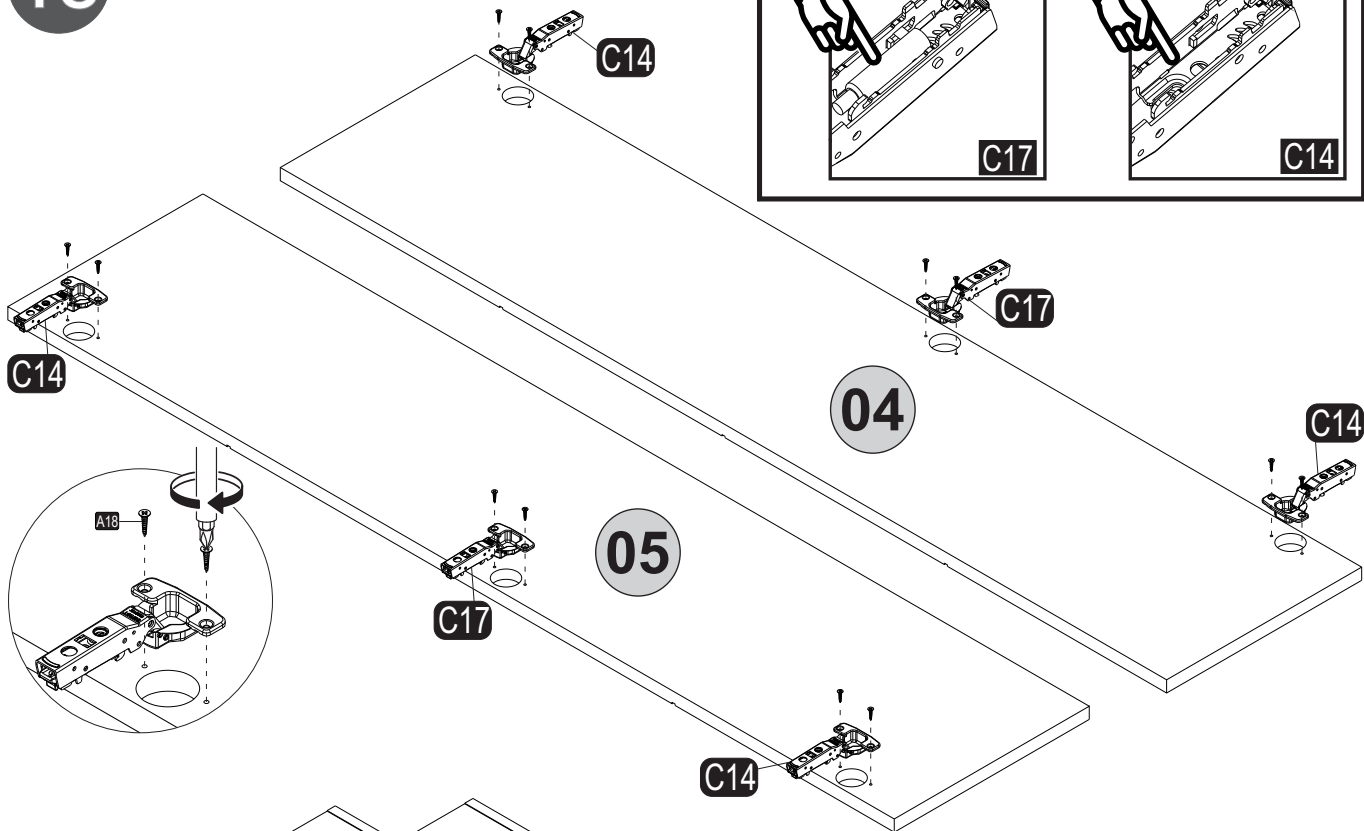
11



12



13



14

