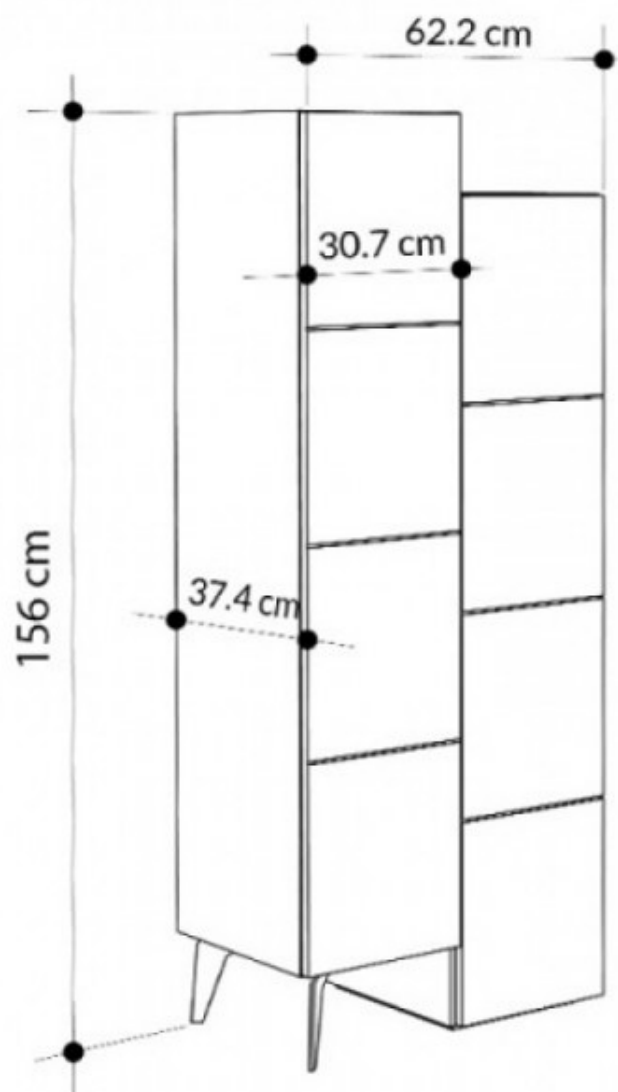
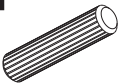



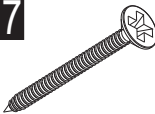

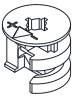

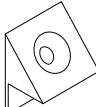
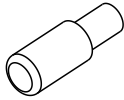

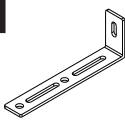


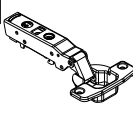
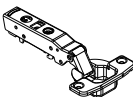

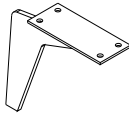
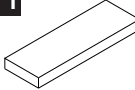
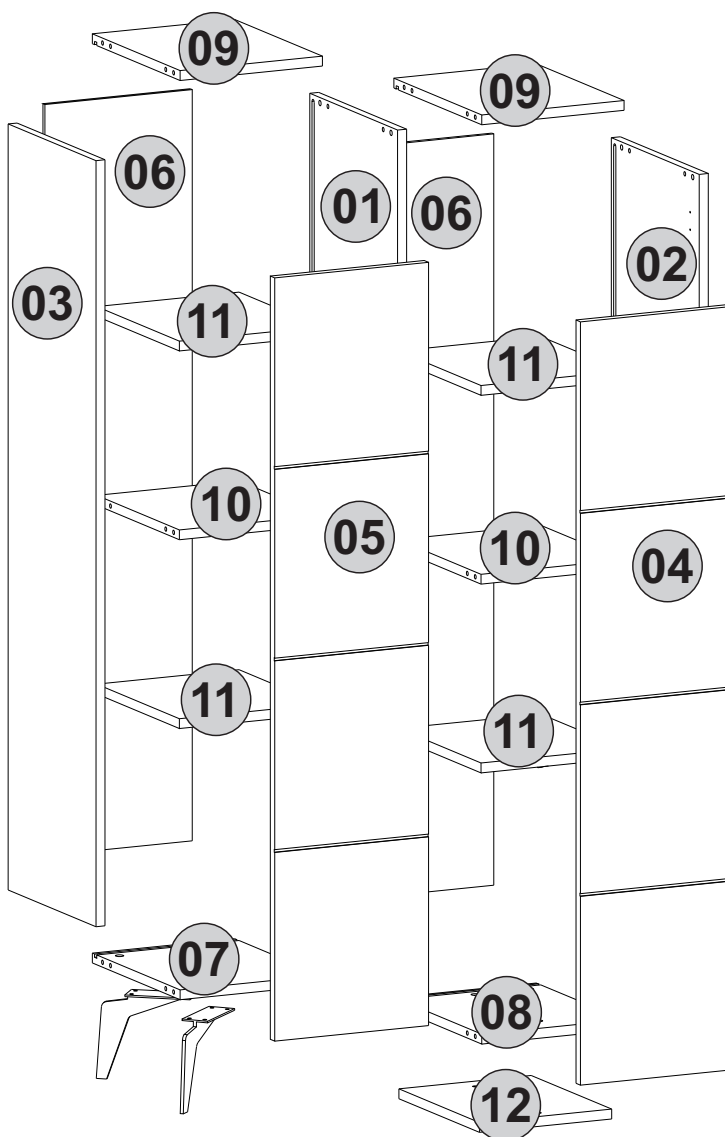


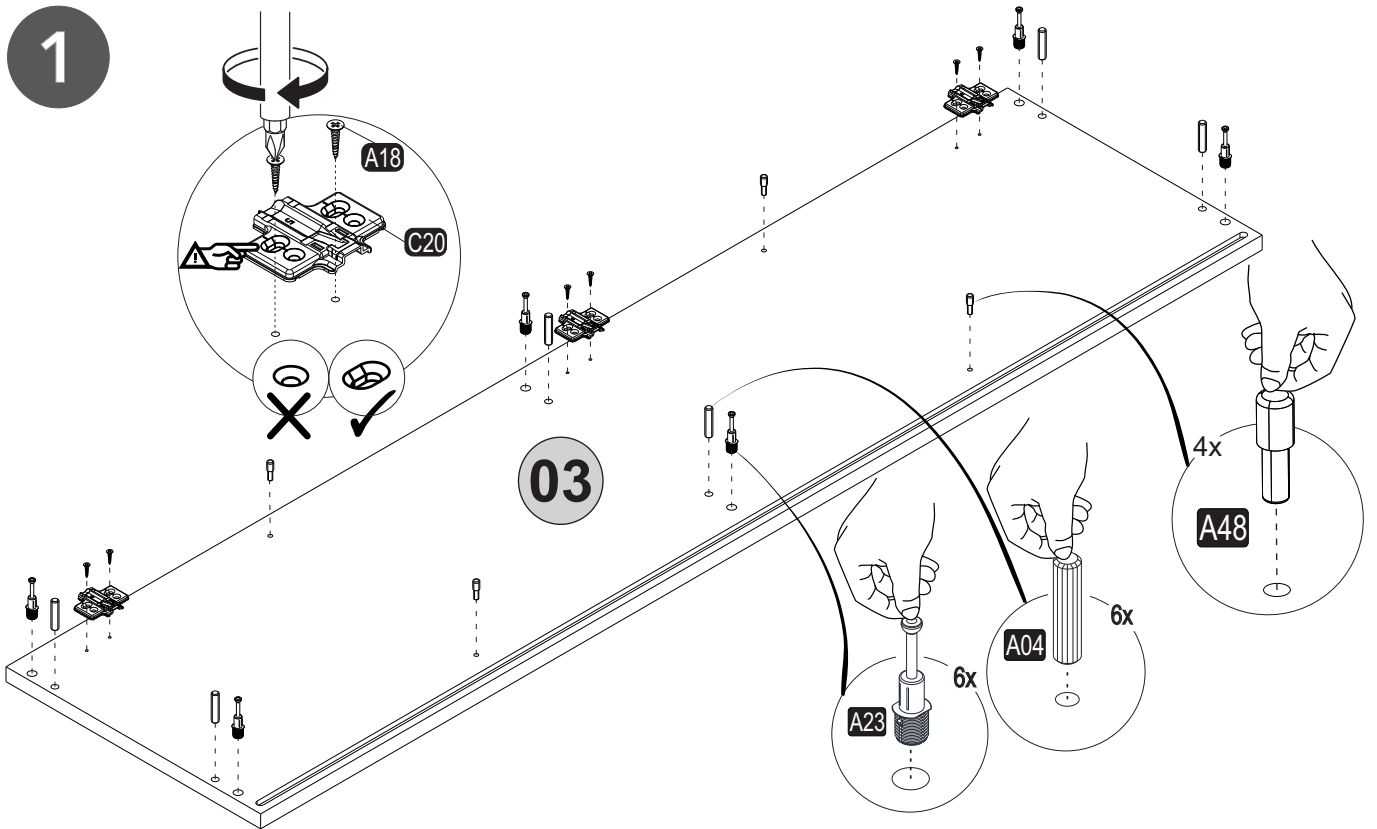
**i** GP037-0169,3



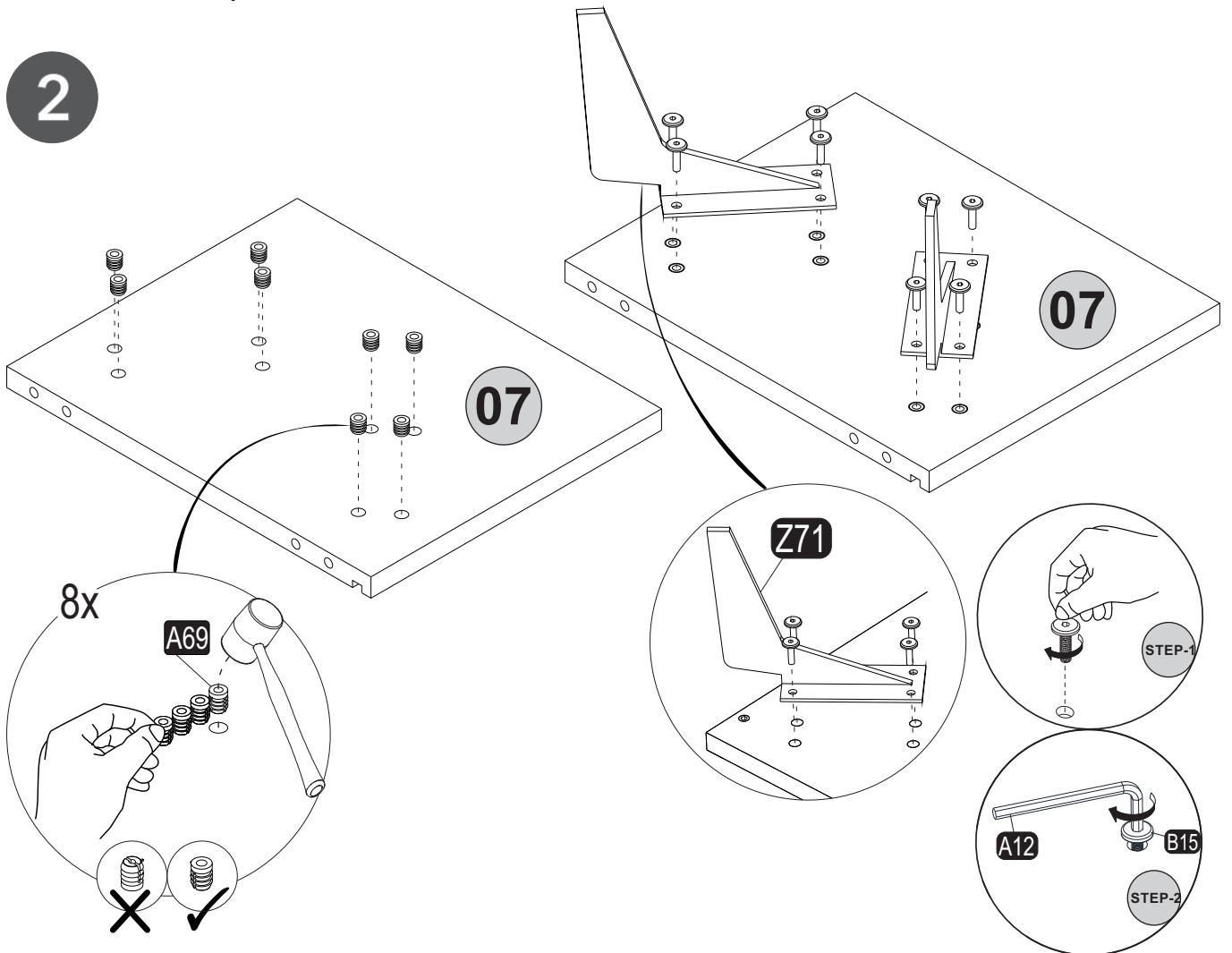
<b>A04</b>  Ø8 <b>24x</b>	<b>A06</b>  18mm C1-24x	<b>A12</b>  Allen <b>1x</b>	<b>A16</b>  DbØ8 <b>1x</b>	<b>A17</b>  4X50 <b>1x</b>
<b>A18</b>  3,5x18 <b>50x</b>	<b>A22</b>  Minifix k18 <b>24x</b>	<b>A23</b>  Minifix M10 <b>24x</b>	<b>A25</b>  ARK.PL <b>12x</b>	<b>A48</b>  Raf Pimi <b>16x</b>
<b>A69</b>  P.D. <b>10x</b>	<b>A87</b>  15x90x30 <b>1x</b>	<b>B03</b>  25 mm <b>2x</b>	<b>B15</b>  15 (black)mm <b>8x</b>	<b>C14</b>  Dm(S) <b>4x</b>
<b>C17</b>  DmF(S) <b>2x</b>	<b>C20</b>  Mtk(S) <b>6x</b>	<b>Z71</b>  LEG <b>2x</b>	<b>PB01</b>  Kece <b>4x</b>	



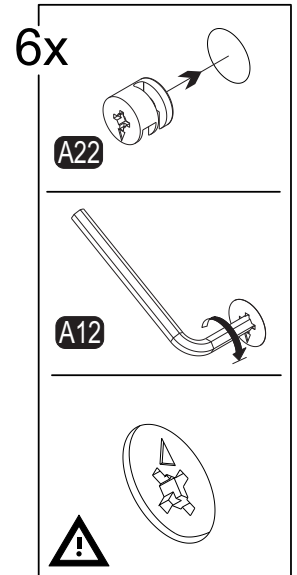
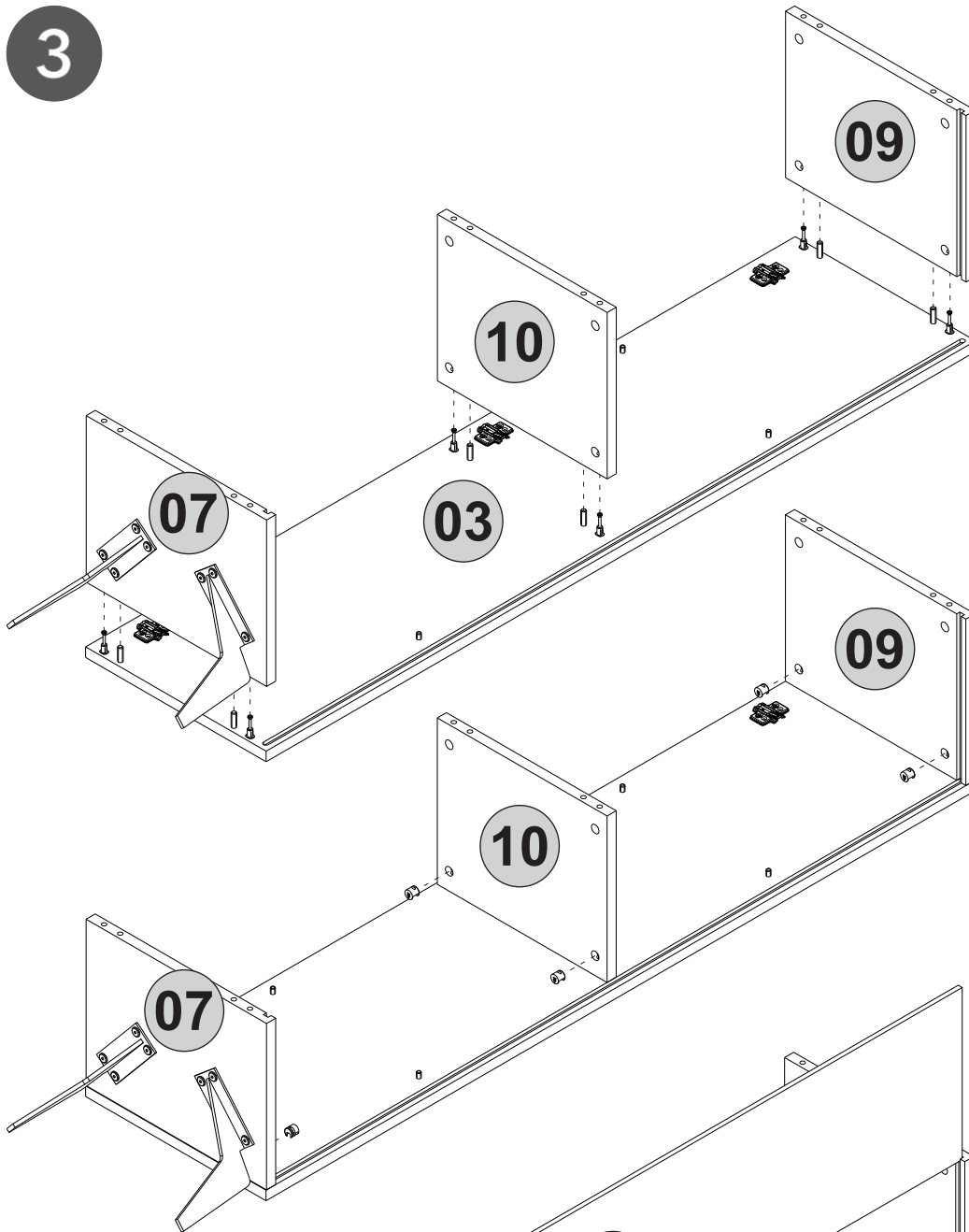
1



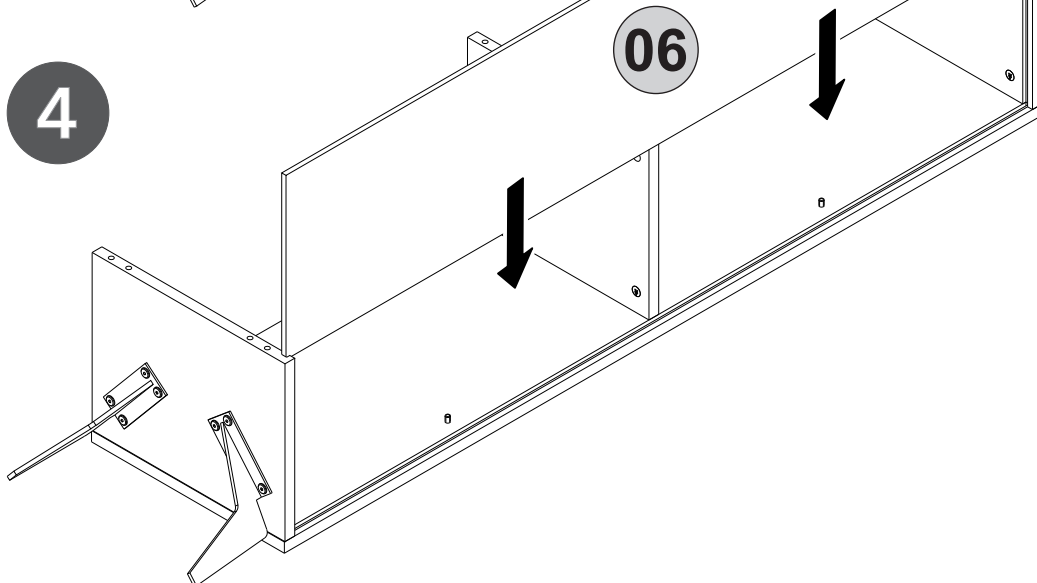
2

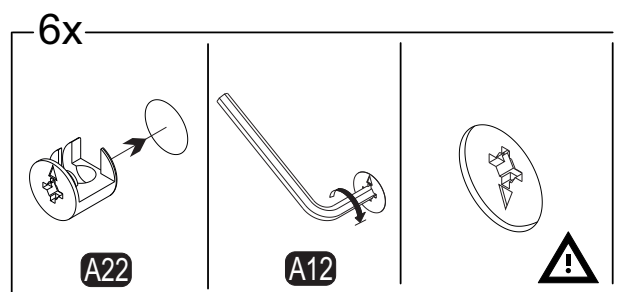
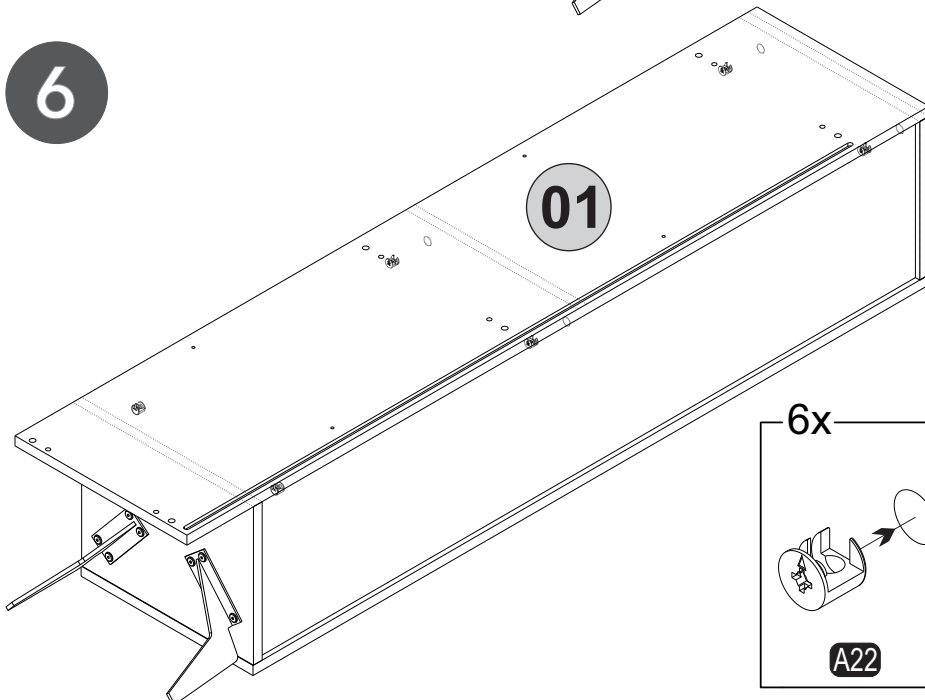
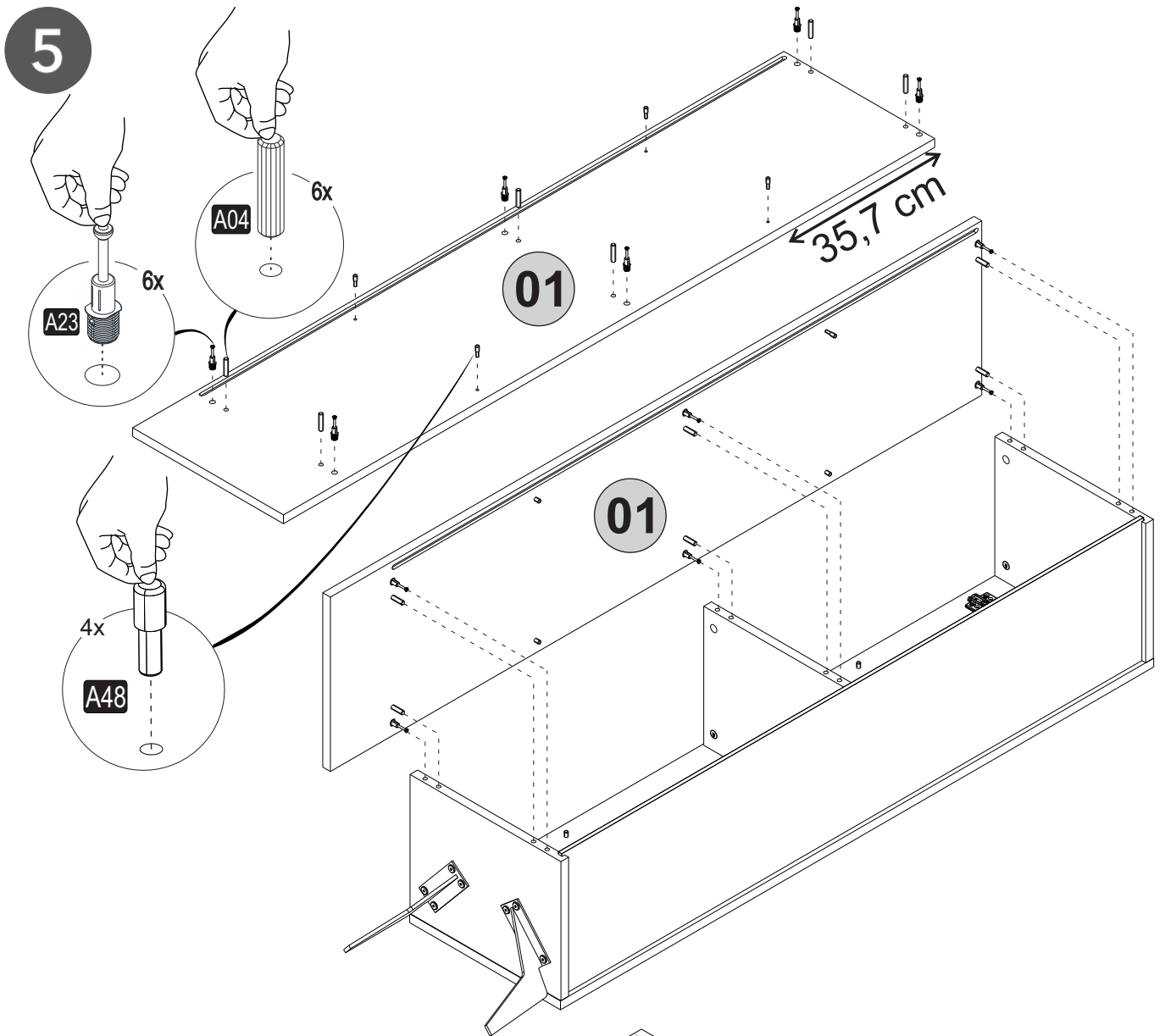


3



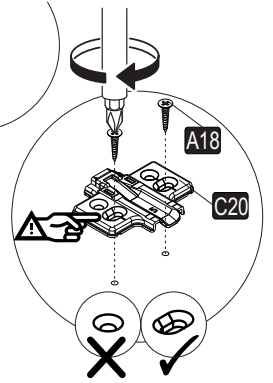
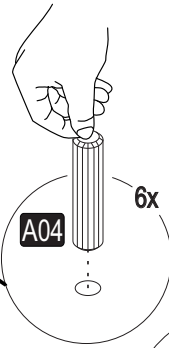
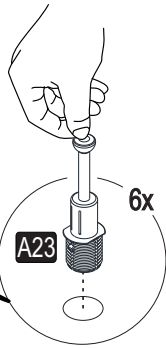
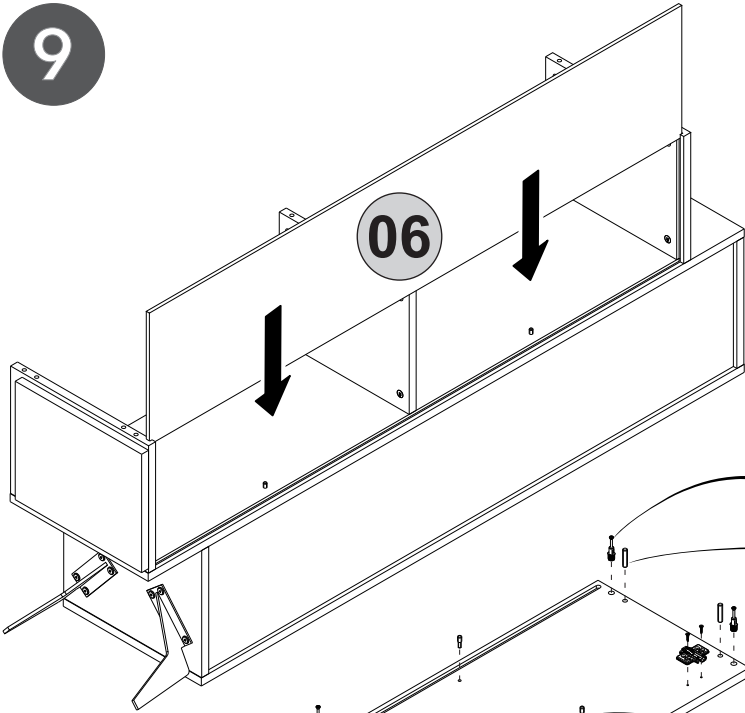
4



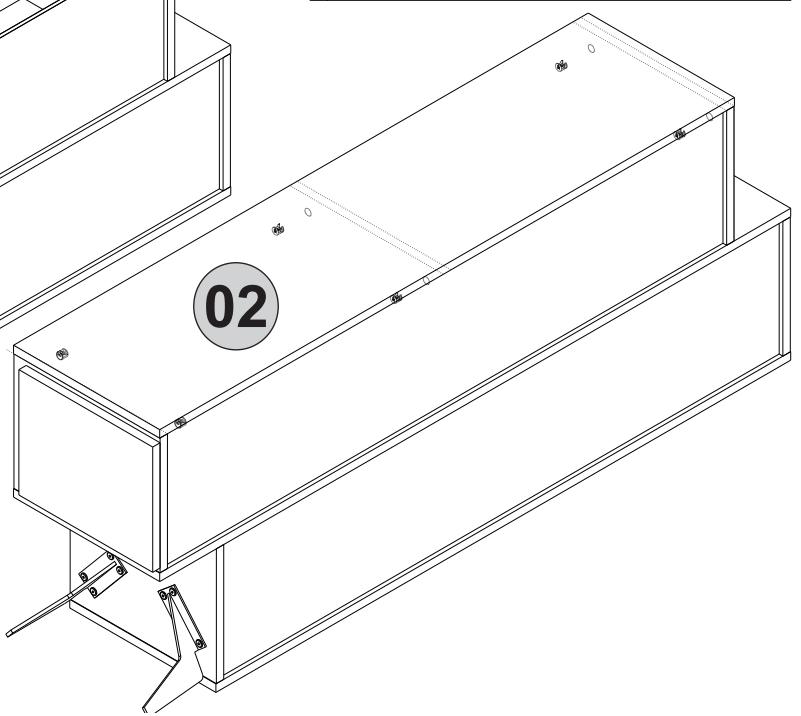
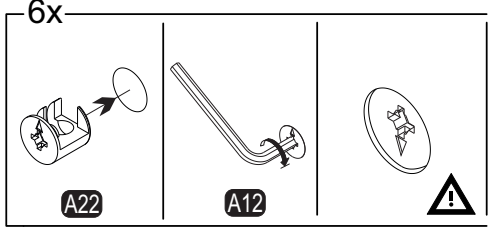
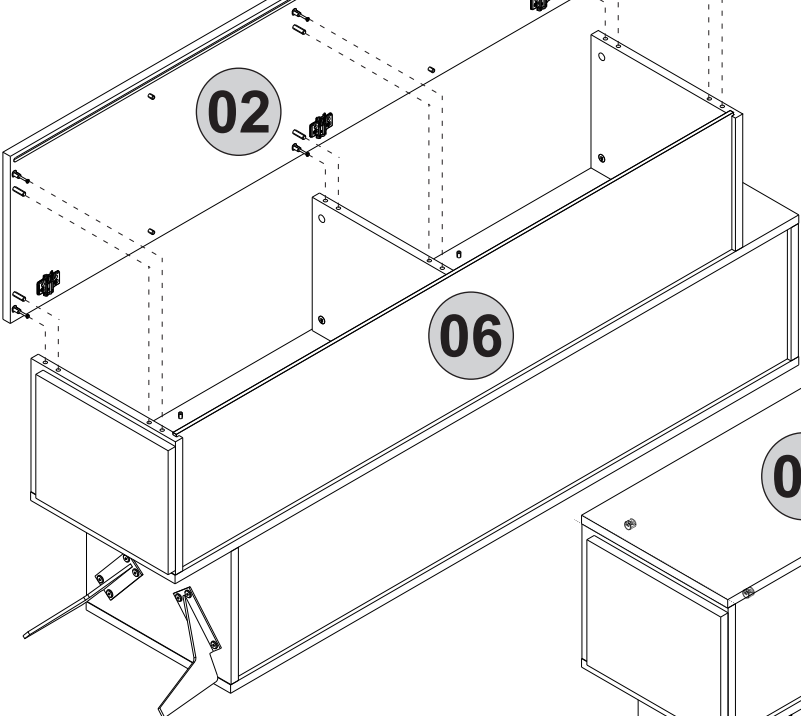
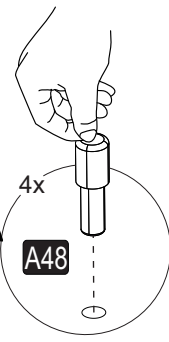
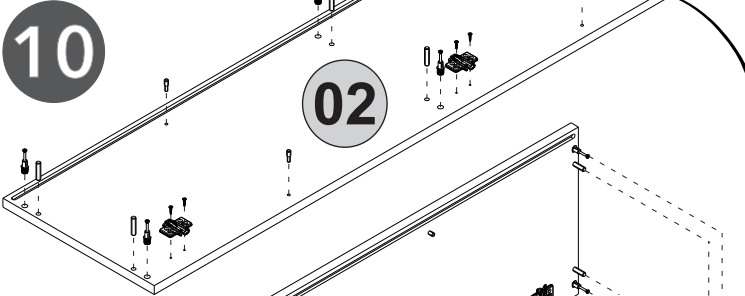




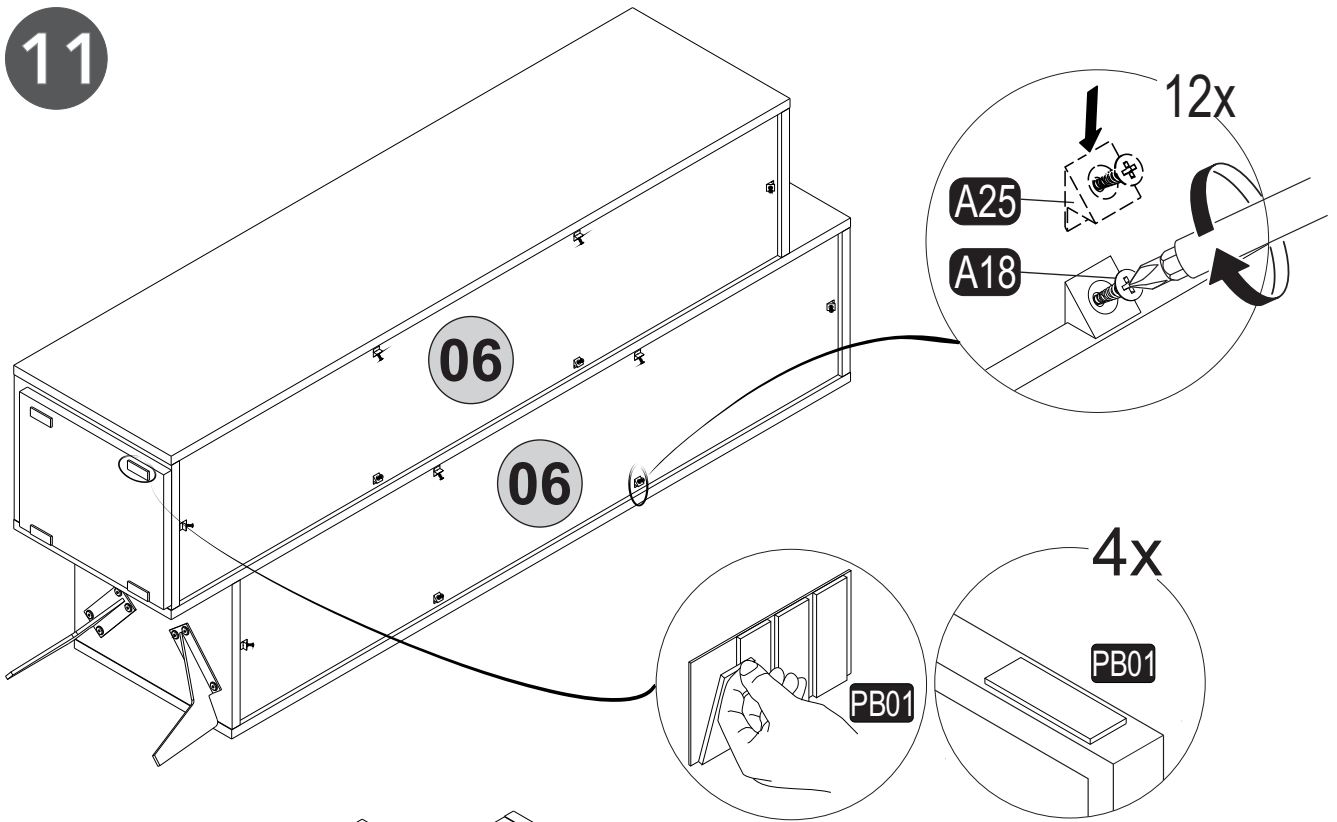
9



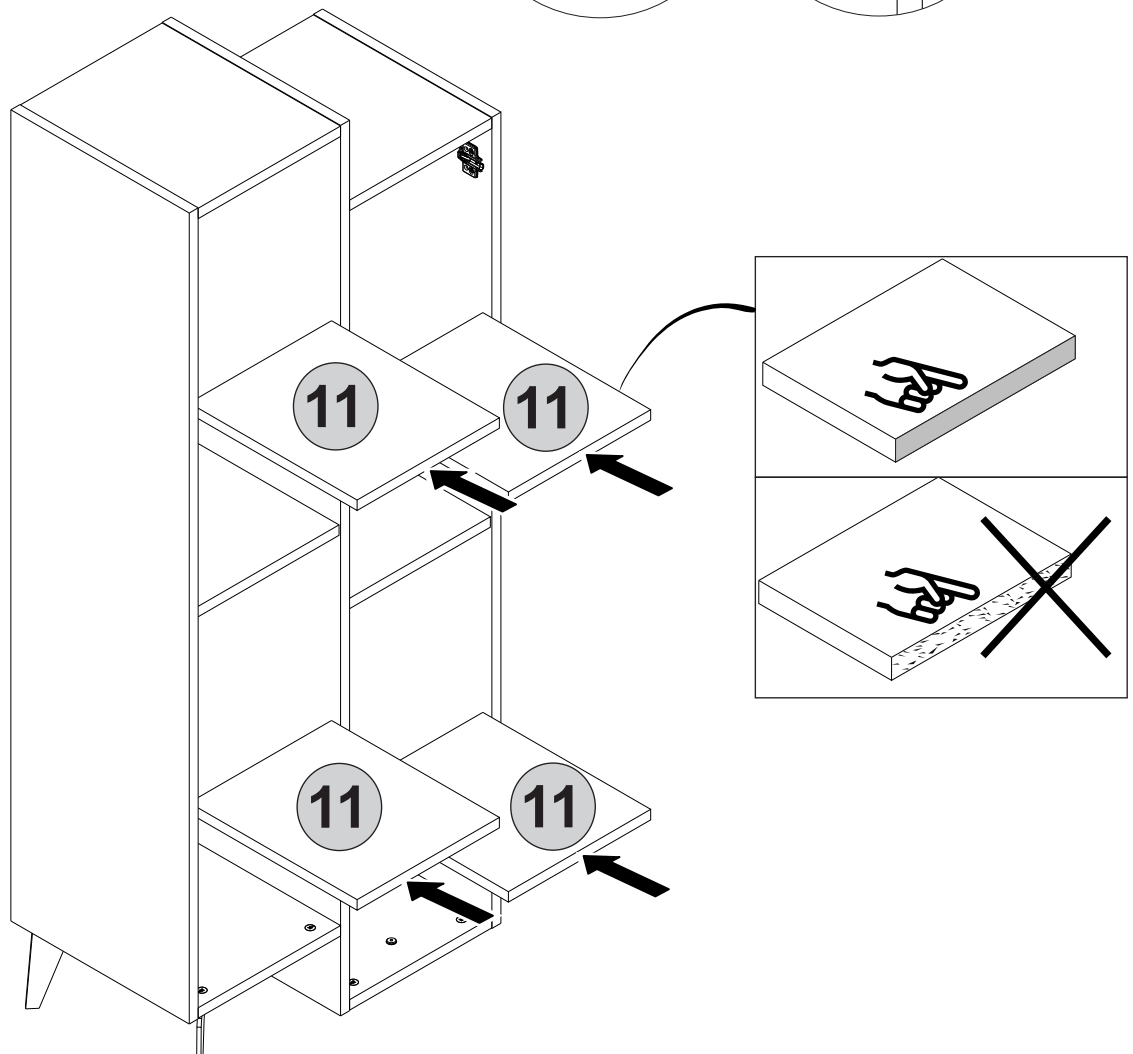
10



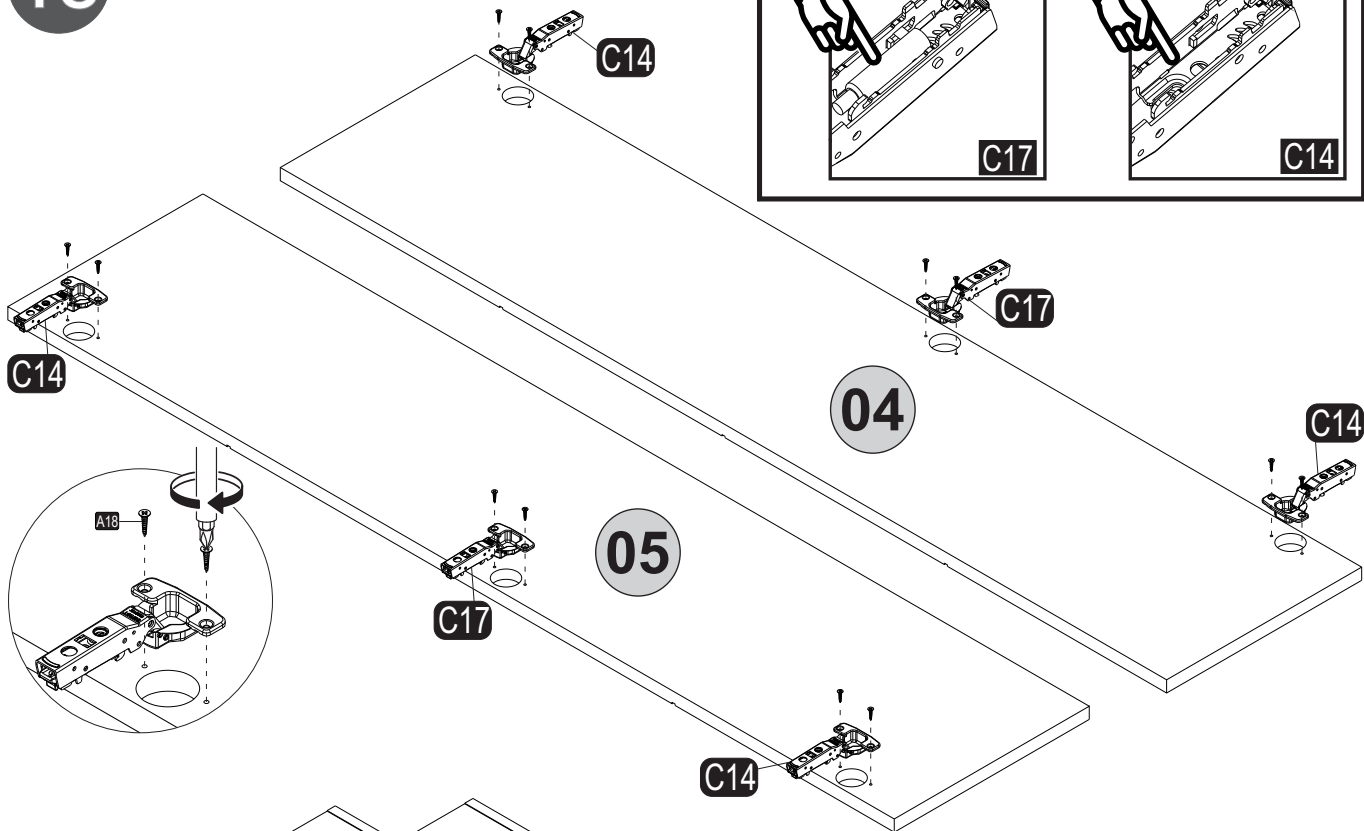
11



12



13



14

