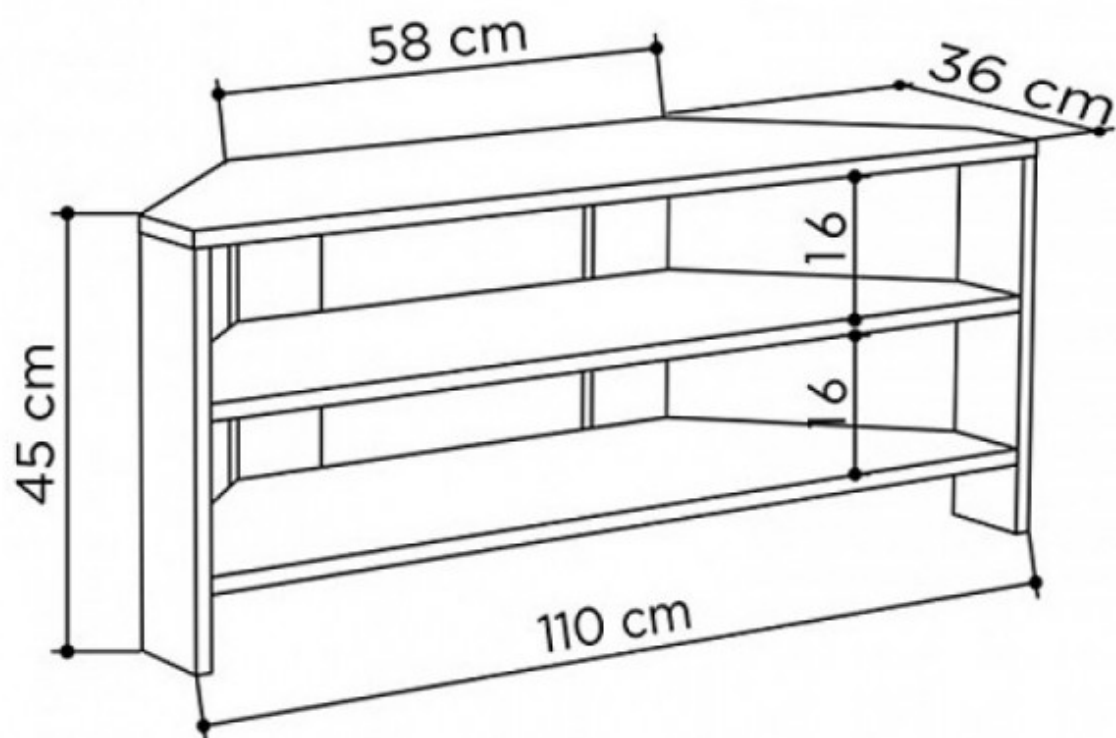
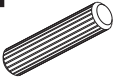


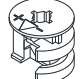
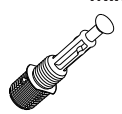
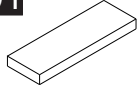
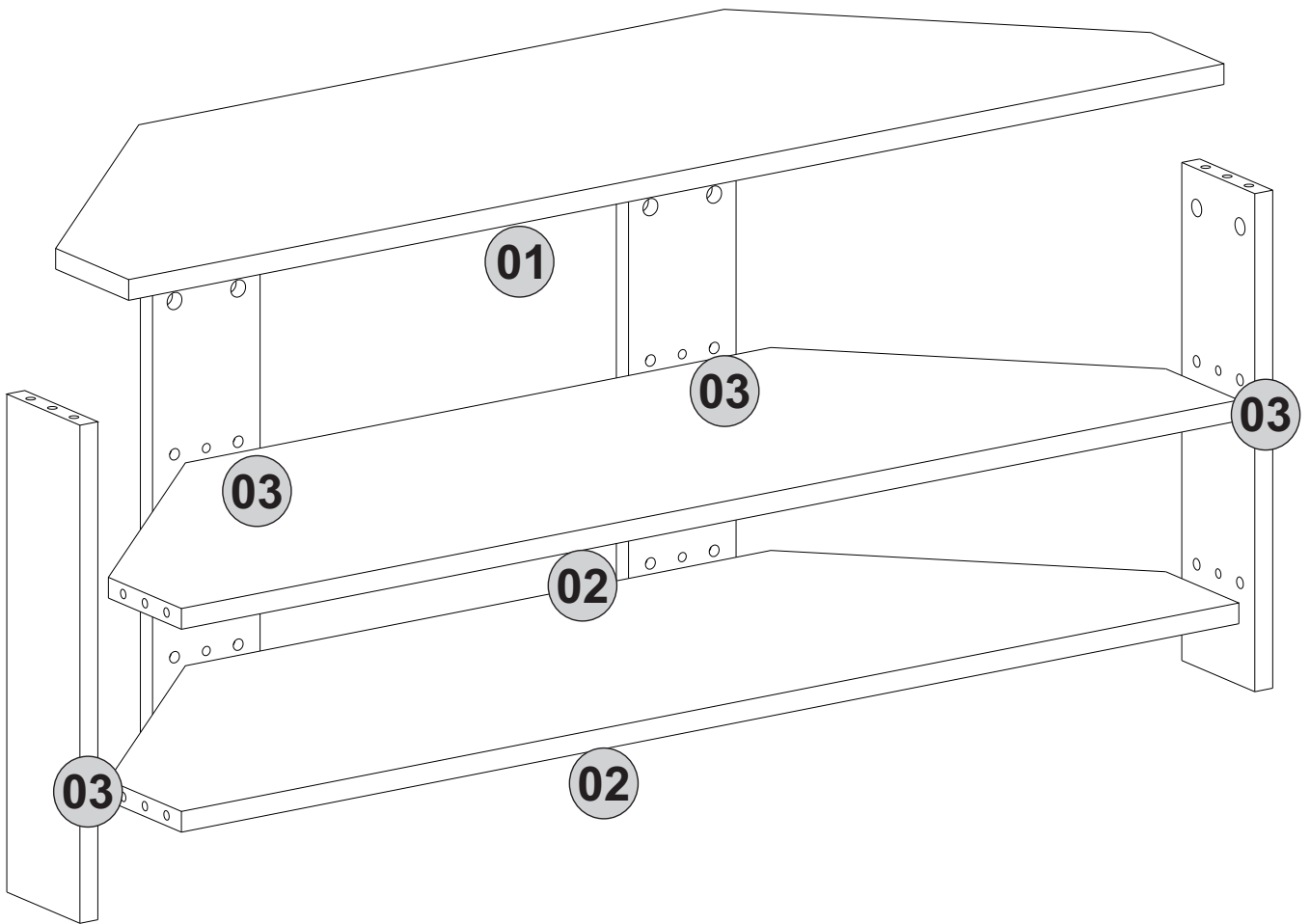


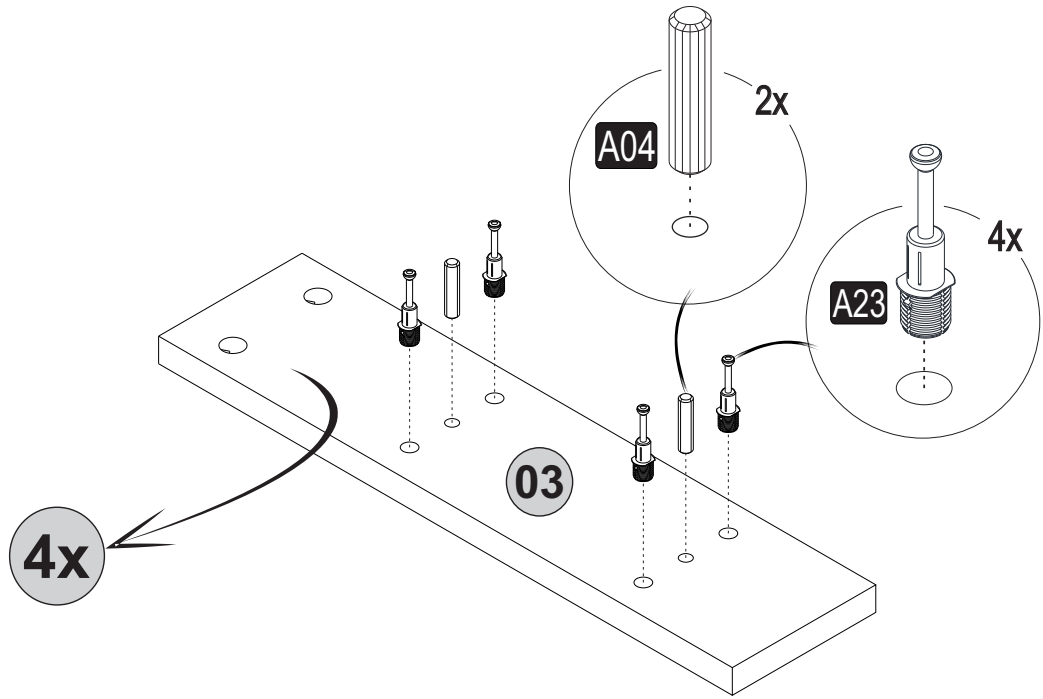
i GP037-0173,1



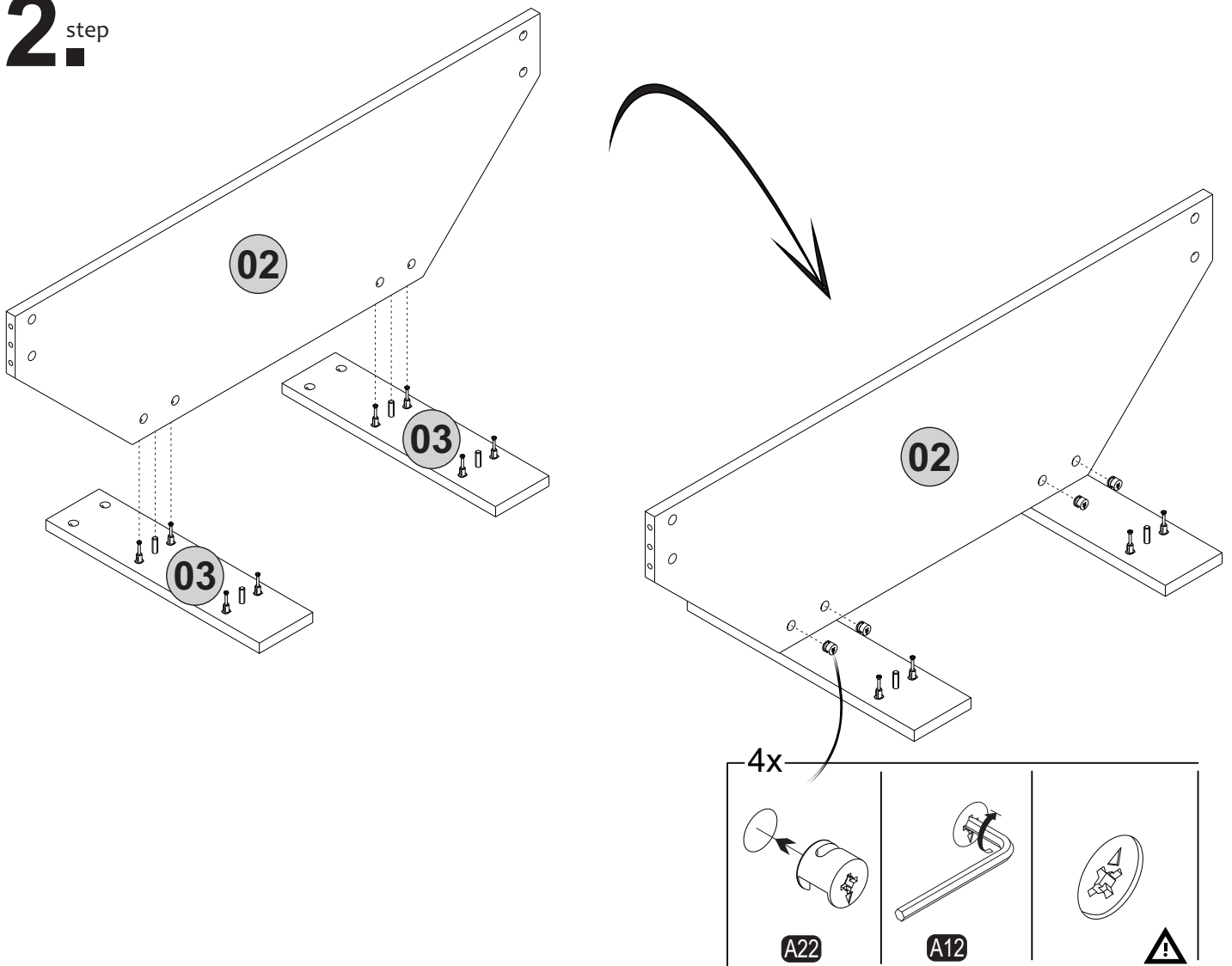
A04  12x	A06  18mm C1-24x	A12  Allen 1x	A22  Minifix k18 24x	A23  Minifix M10 24x
PB01  Kece 4x				



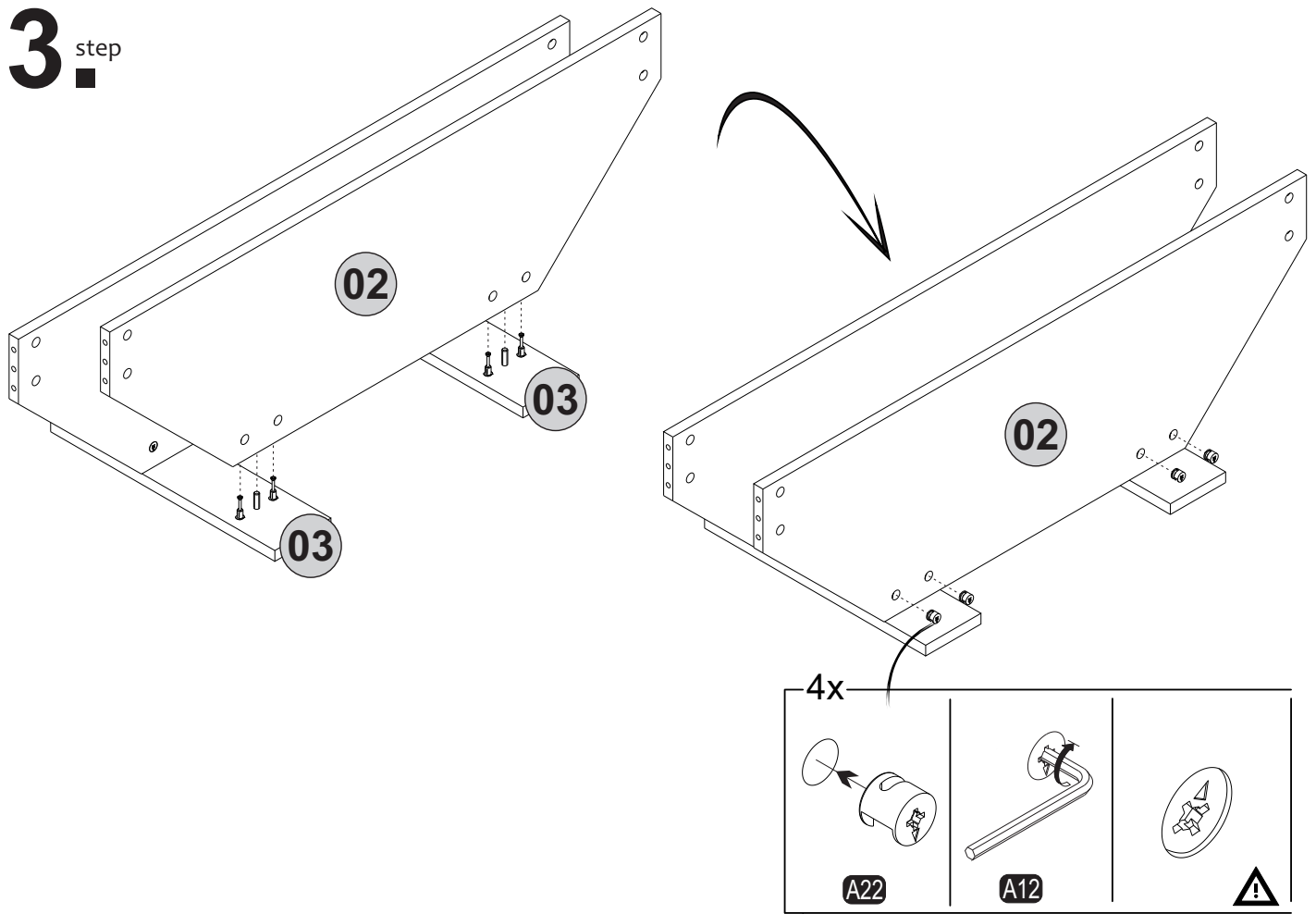
1. step



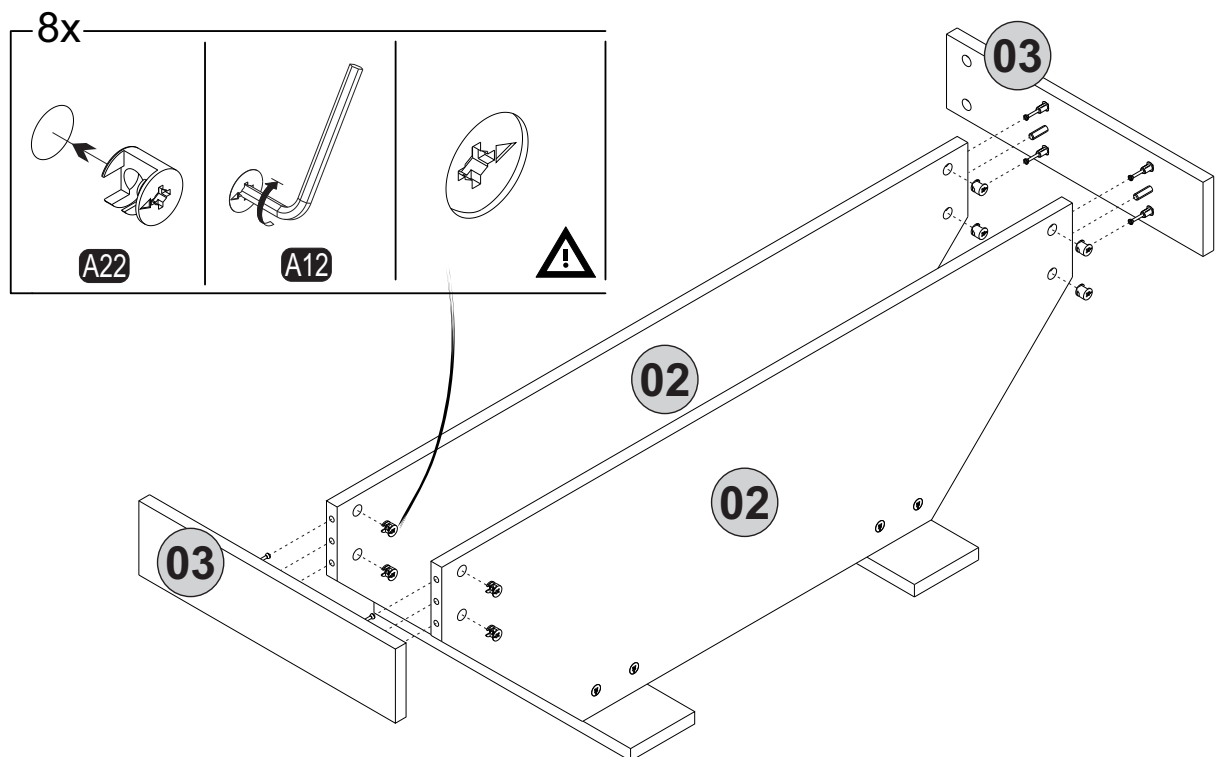
2. step



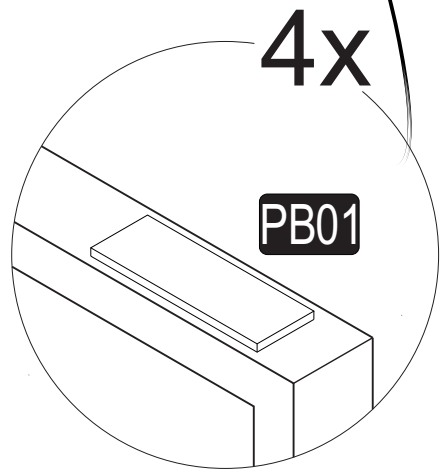
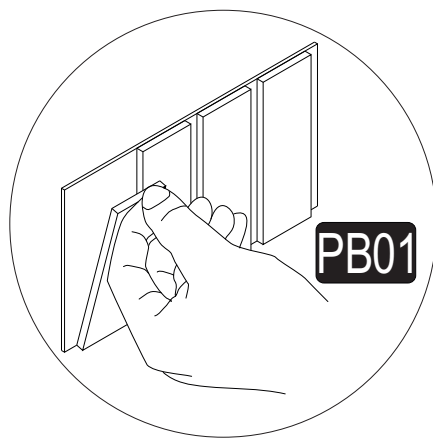
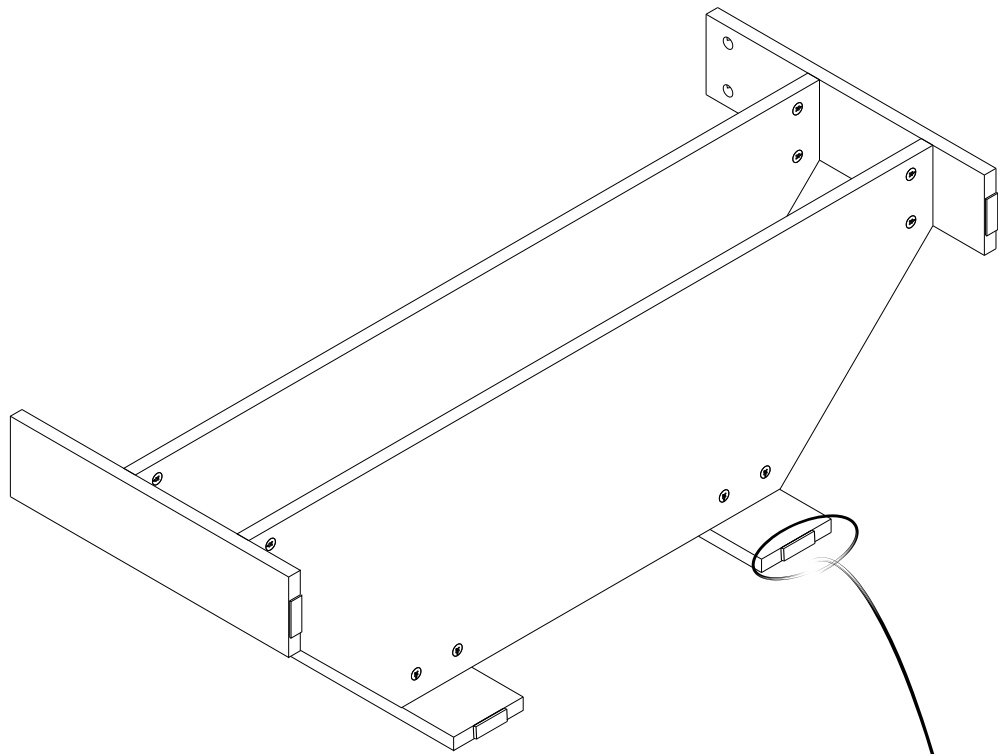
3_{step}



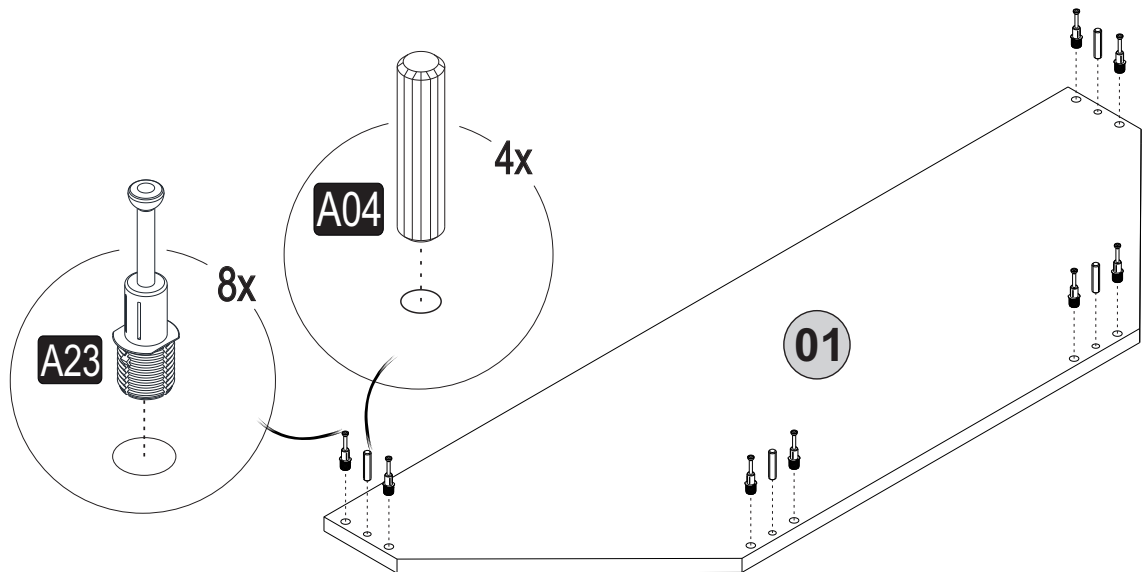
4_{step}



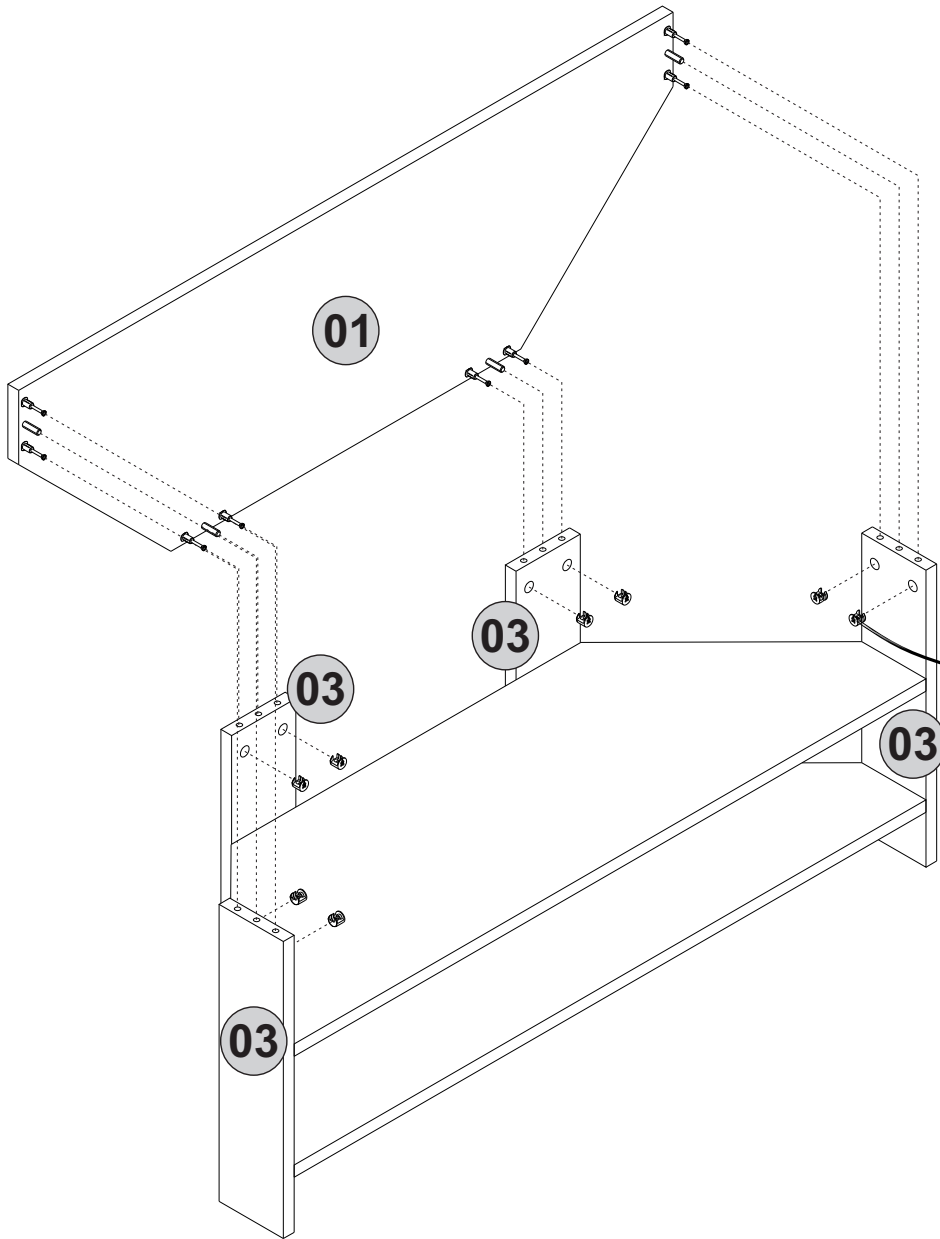
5._{step}



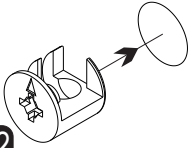
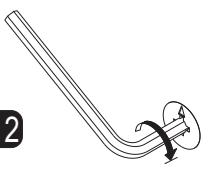

6._{step}



7^{step}



8x

 A22
 A12


8^{step}

