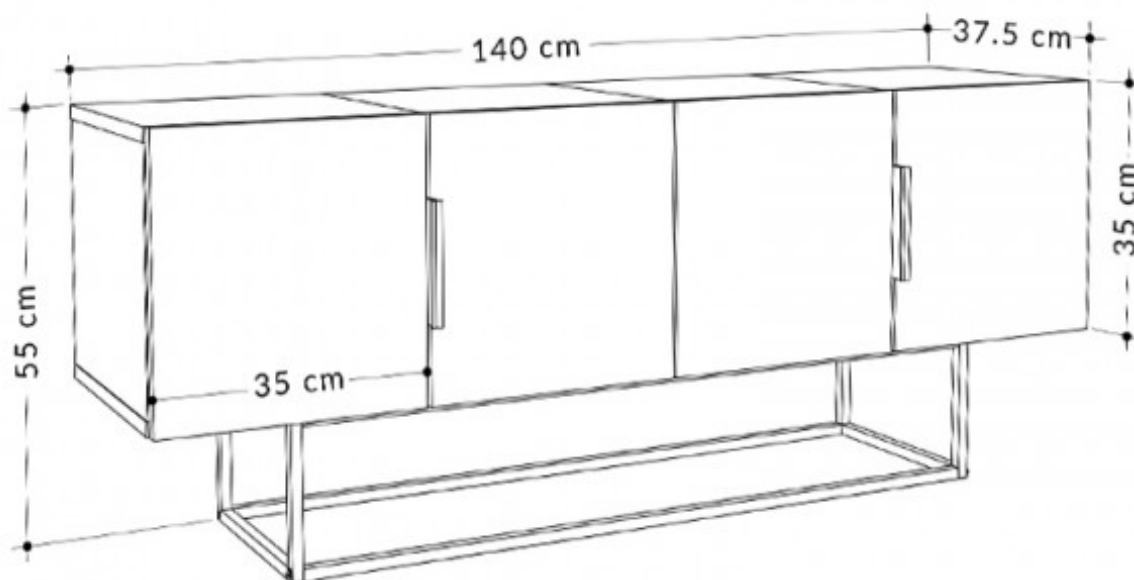
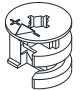





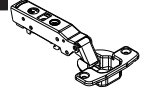
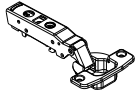
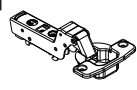
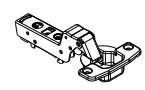


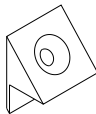



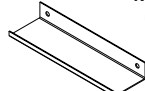
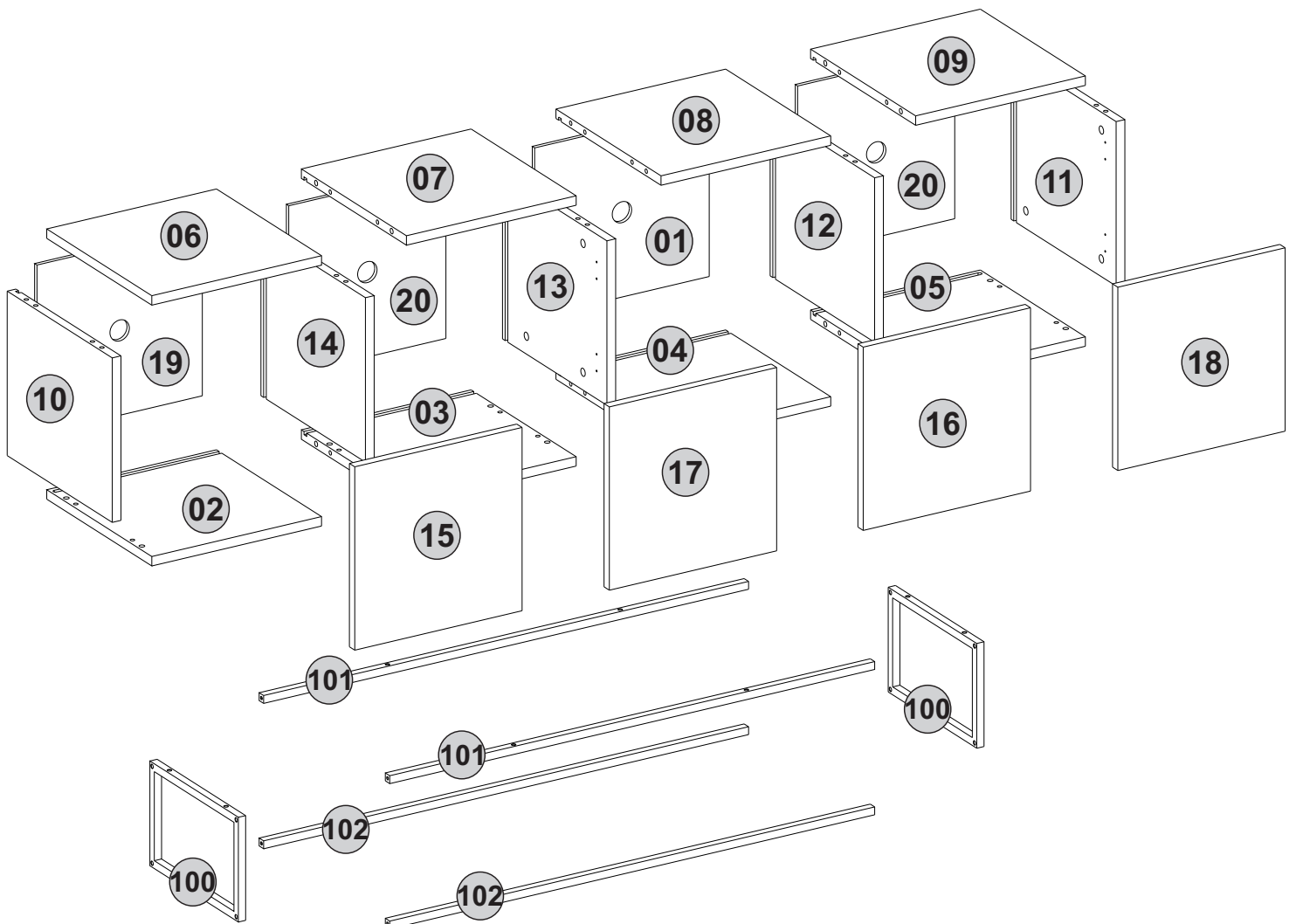


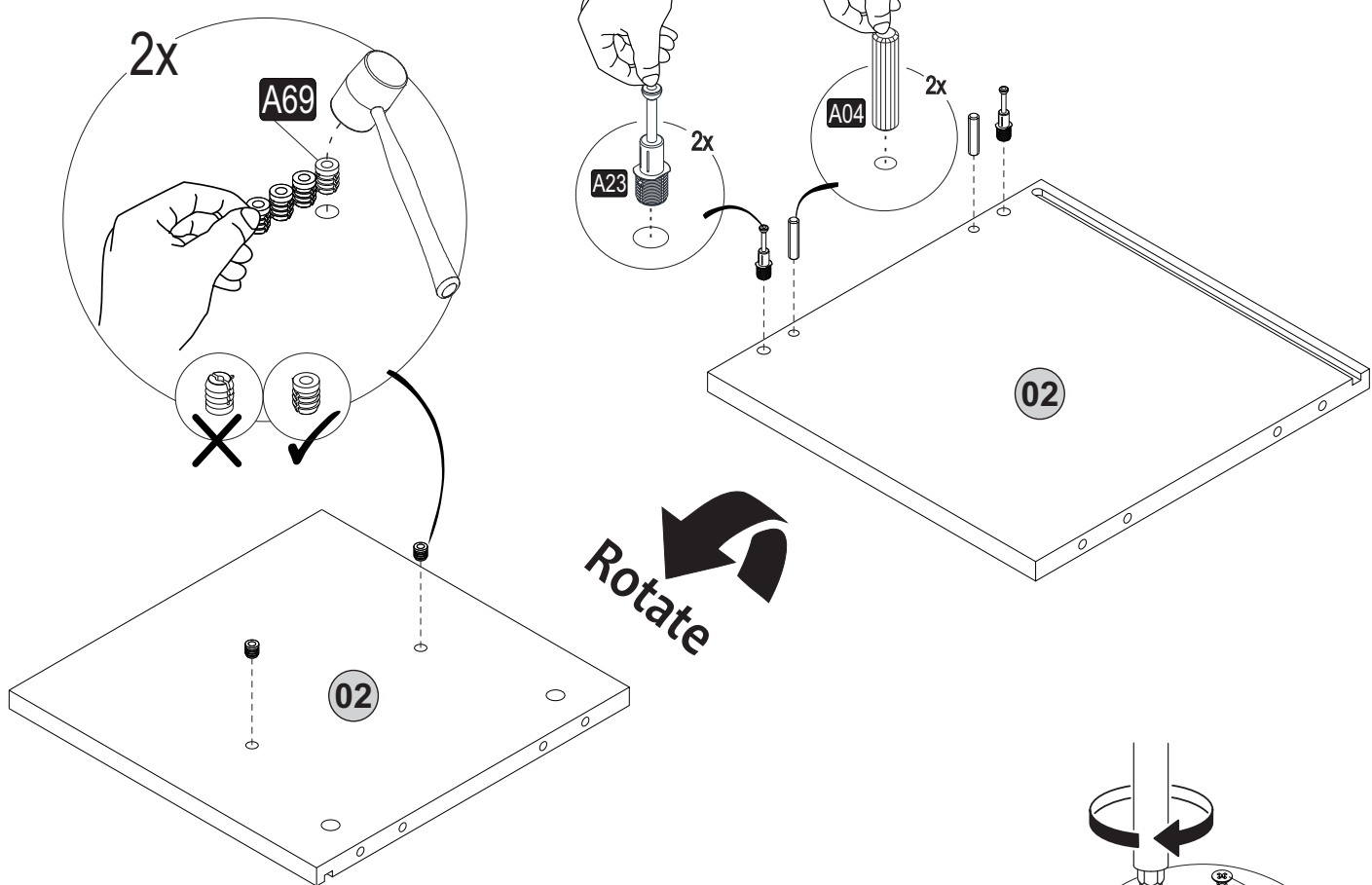
i GP037-0177,1



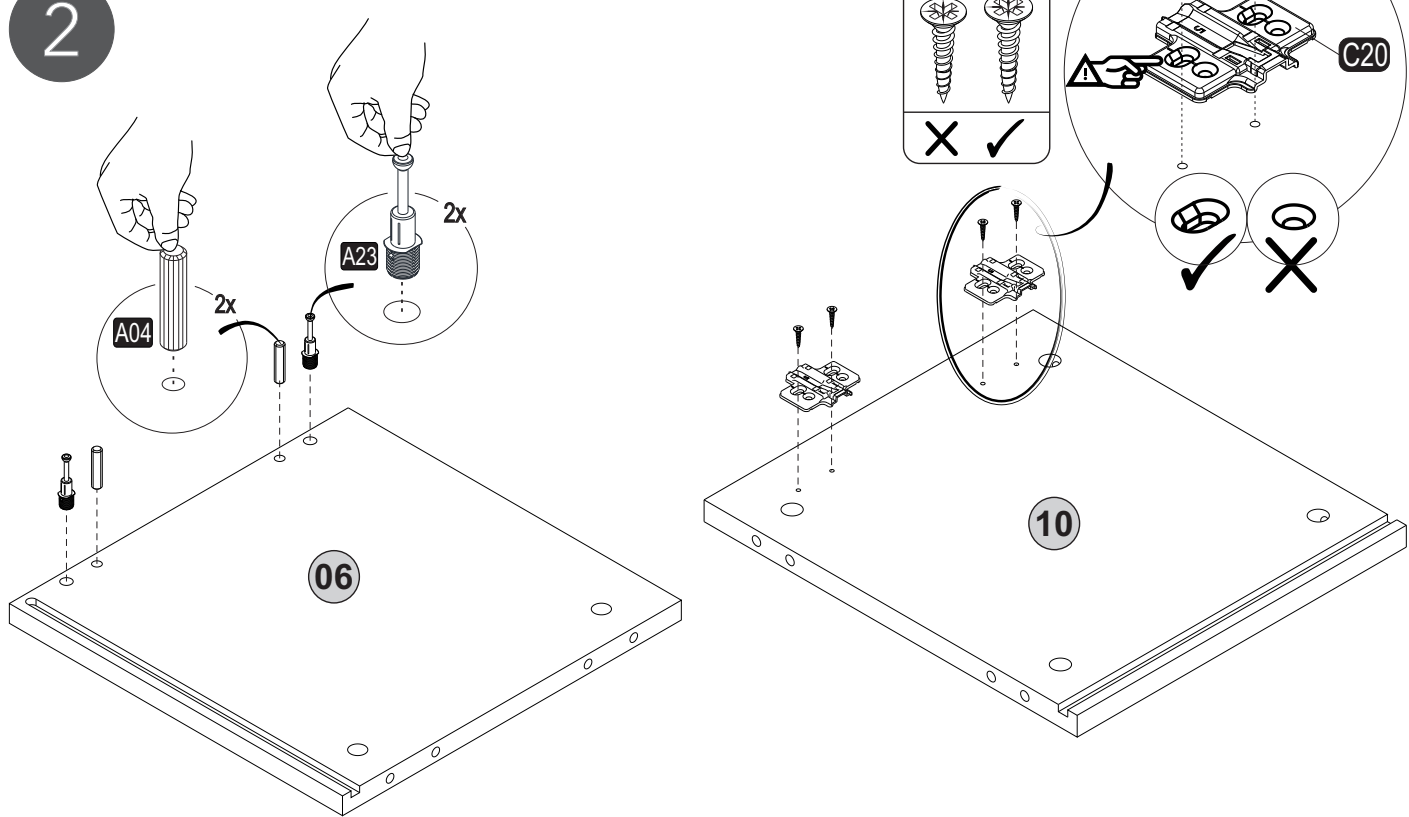
A22 Minifix k18  32x	A23 Minifix M10  32x	A04 Ø8  32x	A12 Allen  1x	A06 18mm C1-8x C2-8x C3-8x C4-8x 
C20 Mtk(S)  8x	C14 Dm(S)  3x	C17 DmF(S)  3x	C16 Sdb(S)  1x	C19 SdbF(S)  1x
A69 P.D.  8x	B13 25 (black)mm  16x	A25 ARK.PL  16x	A18 3,5x18  64x	A50 3,5x16 (Black)  8x
			Z105 TM TV  100-2x 101-2x 102-2x	Z51 K128mm (black)  4x



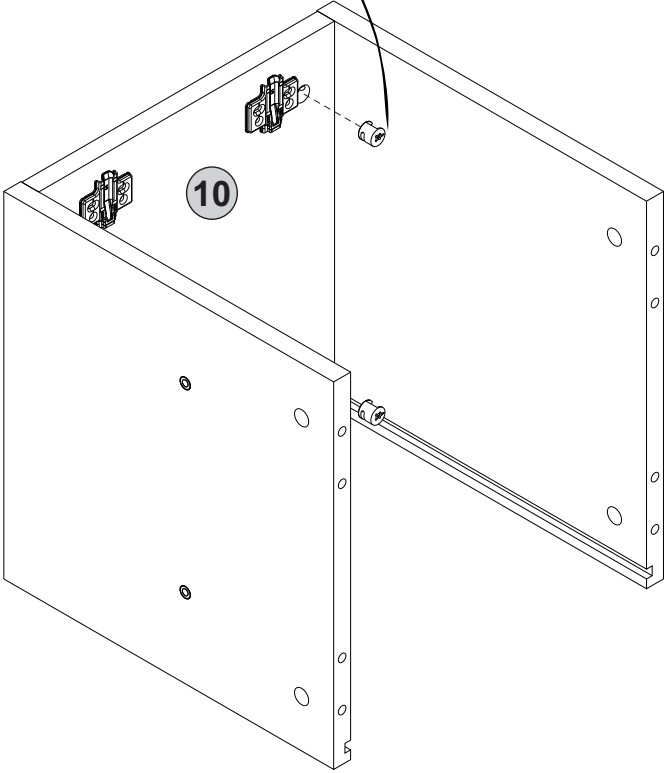
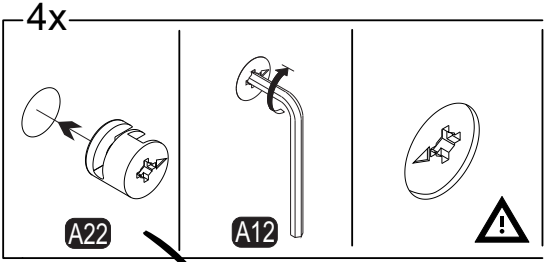
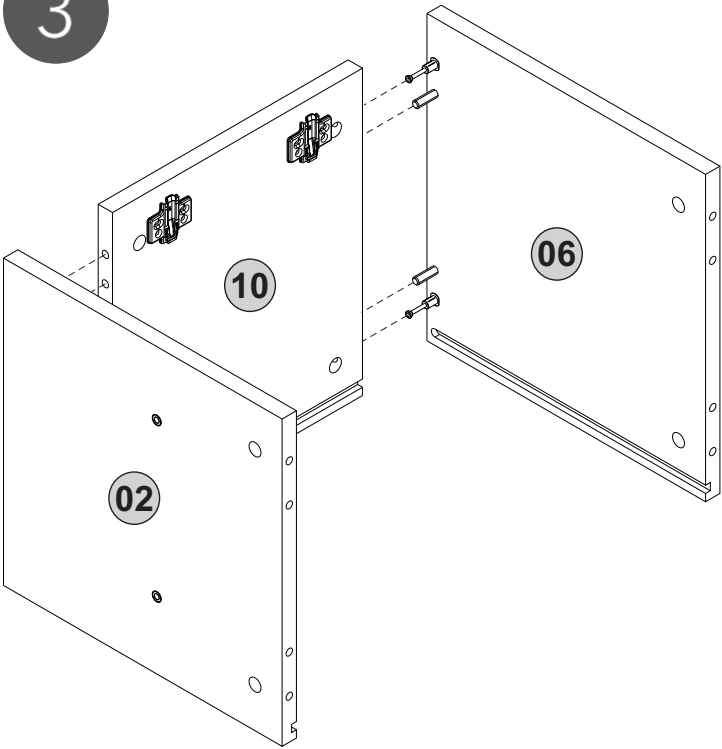
1



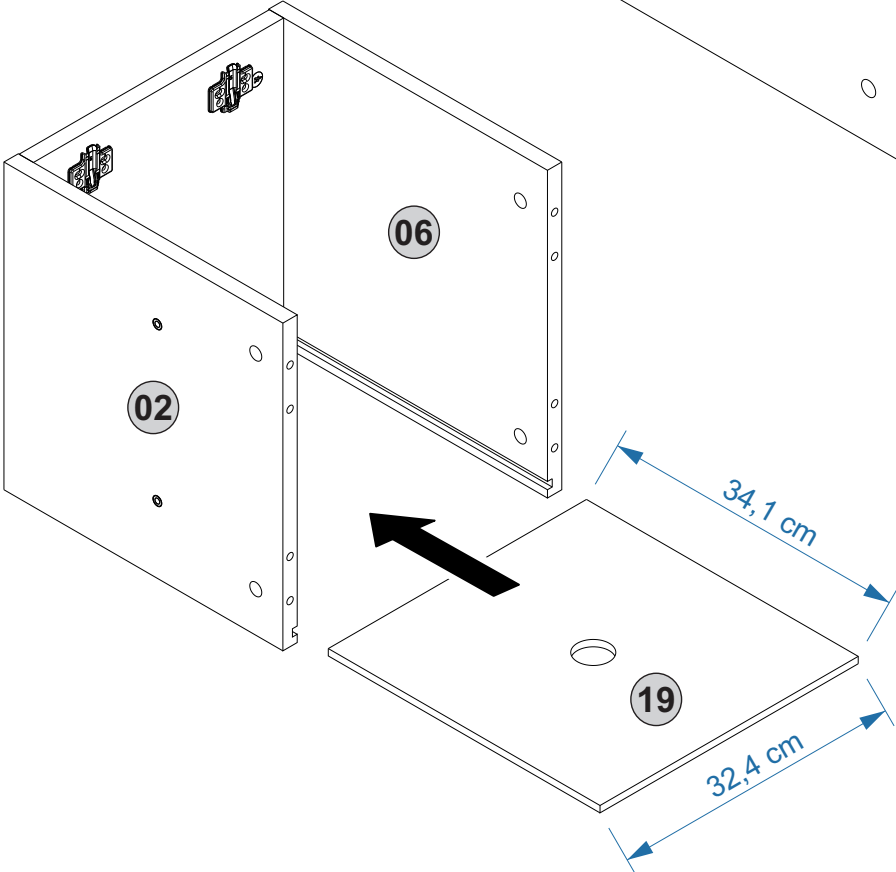
2



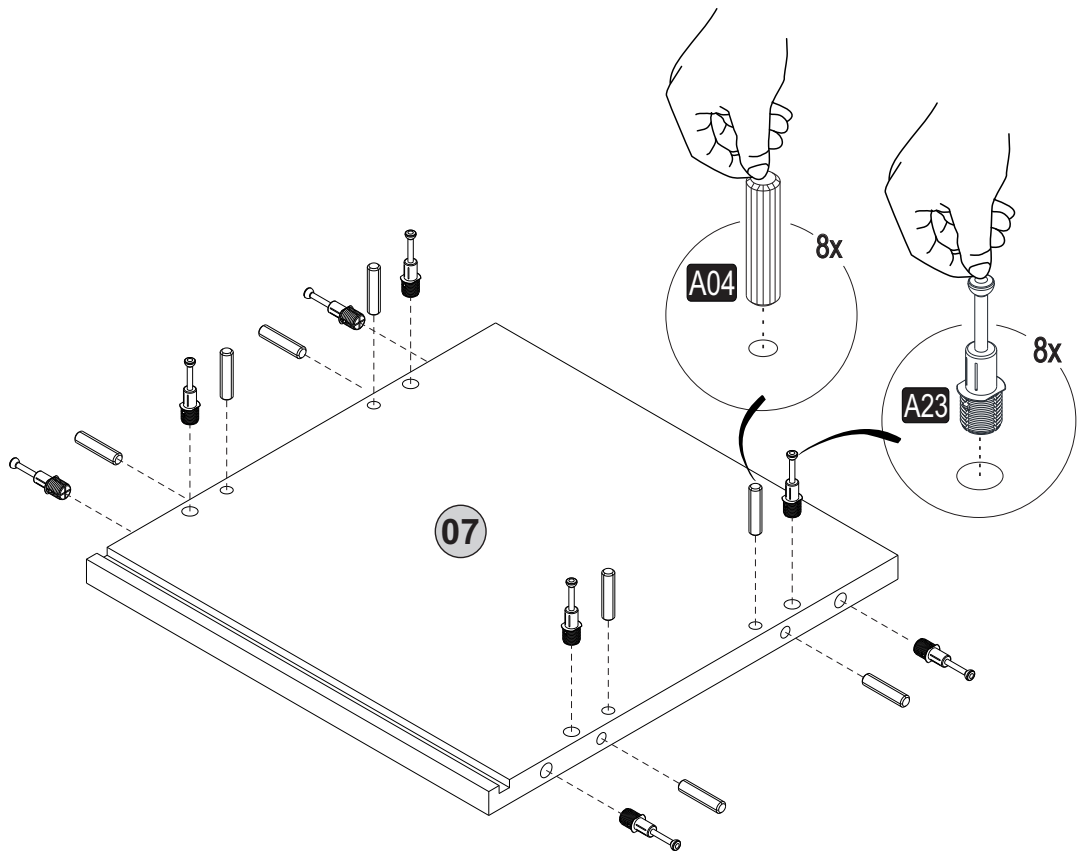
3



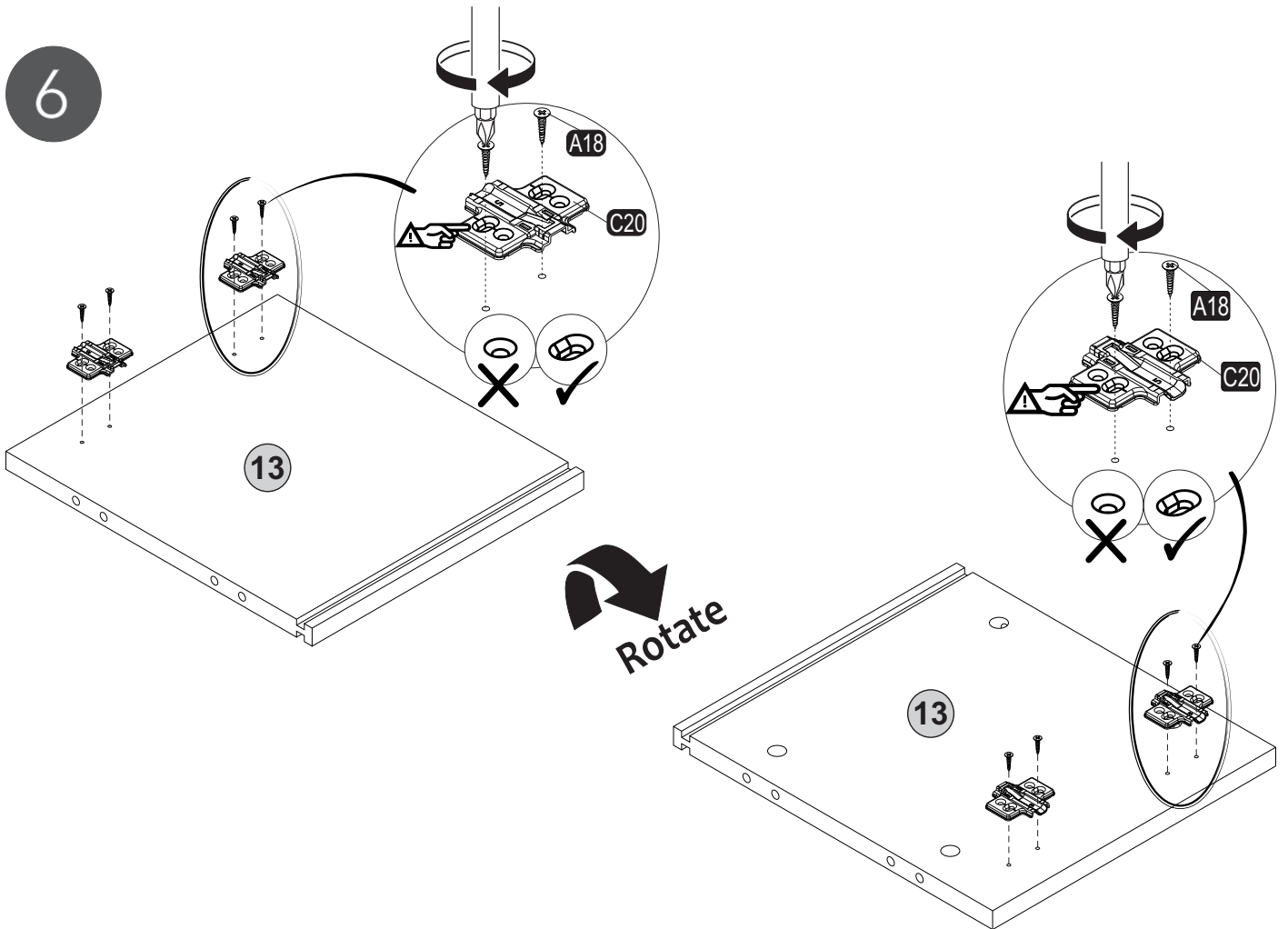
4



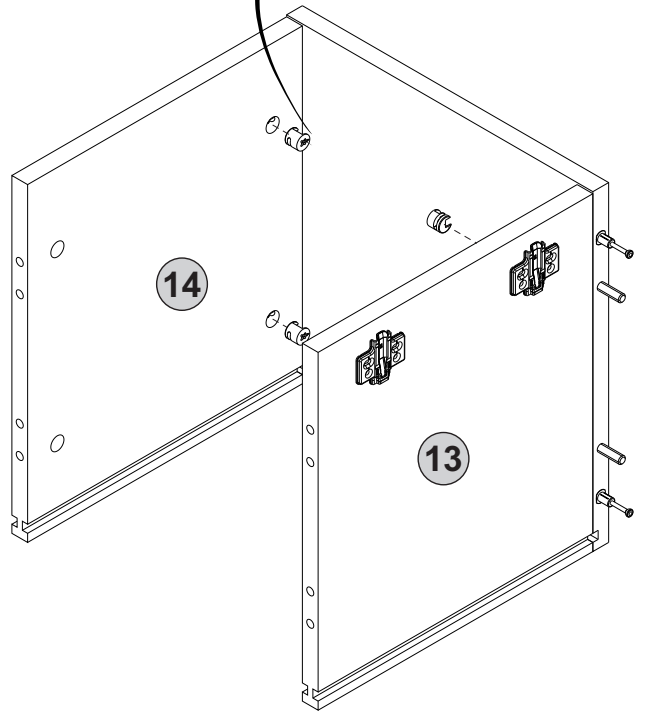
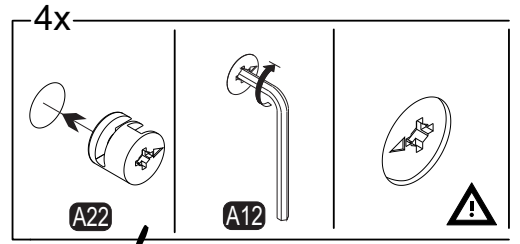
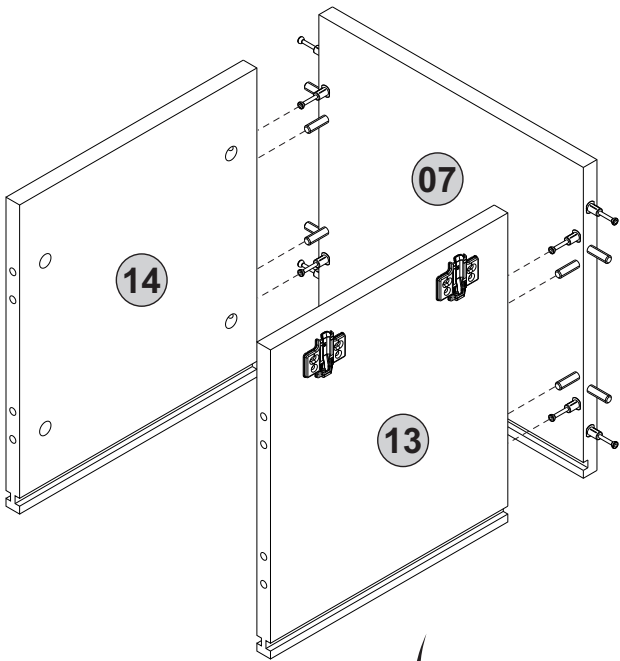
5



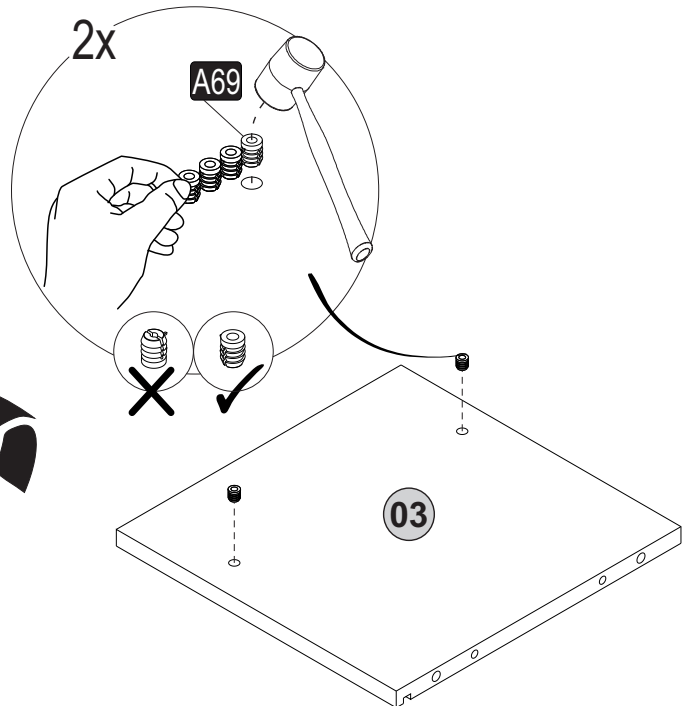
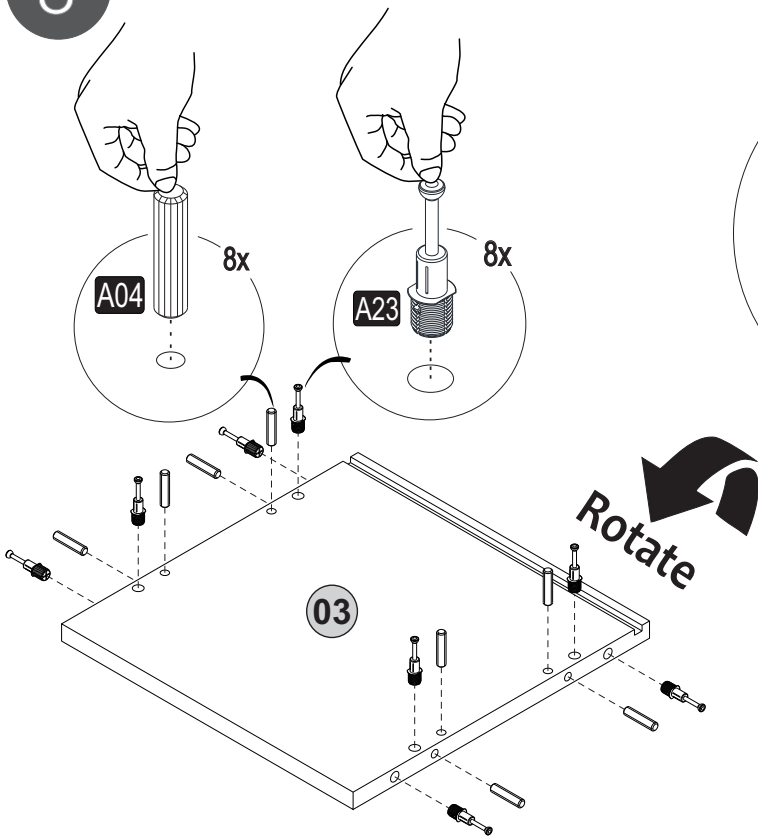
6



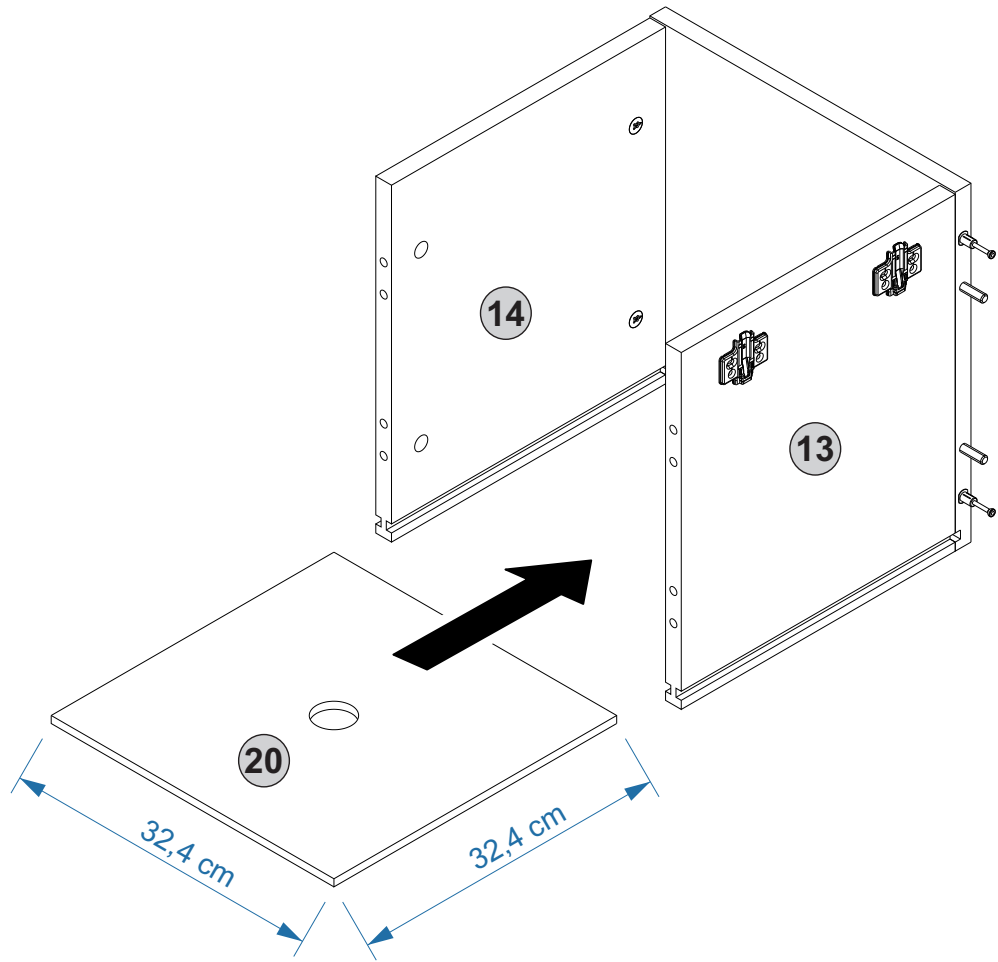
7



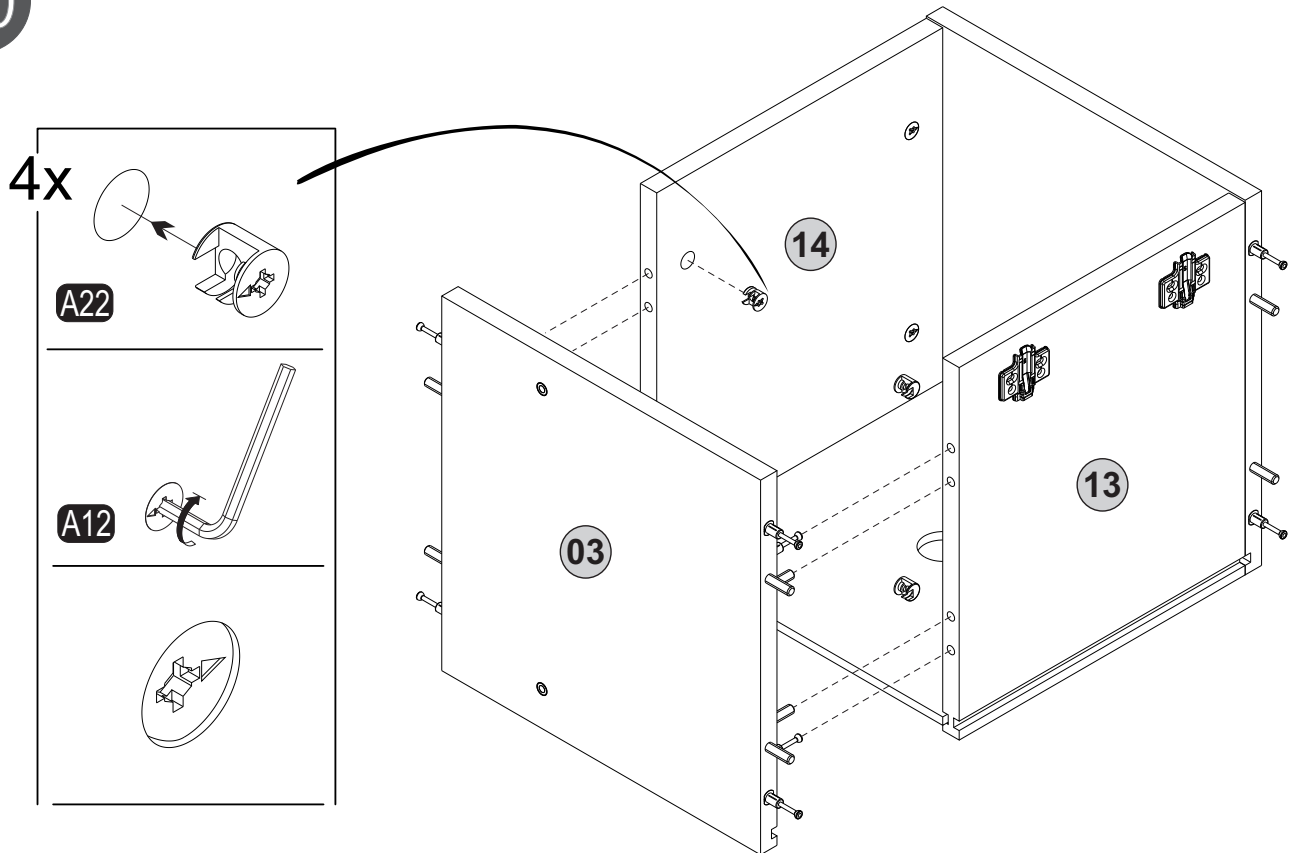
8



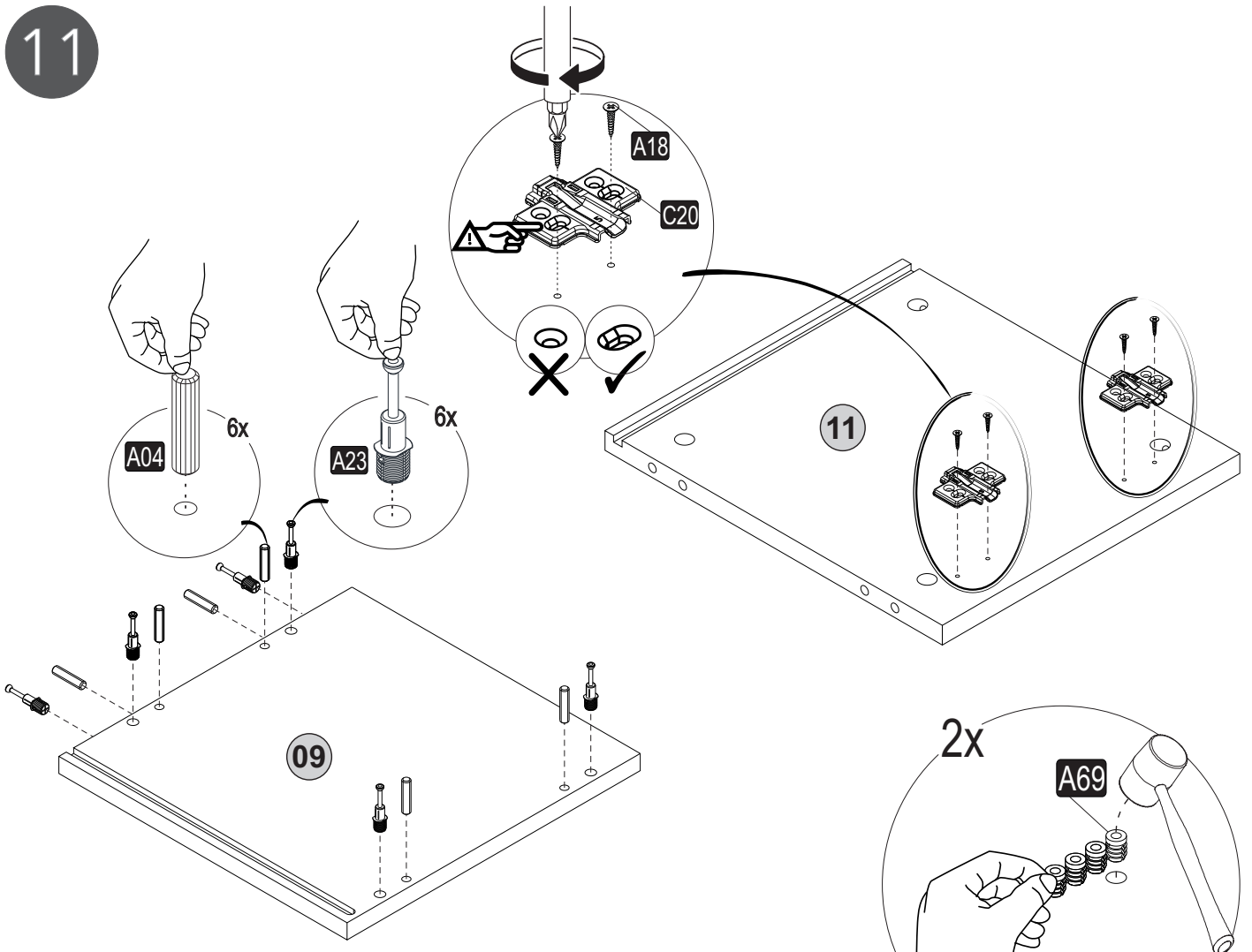
9



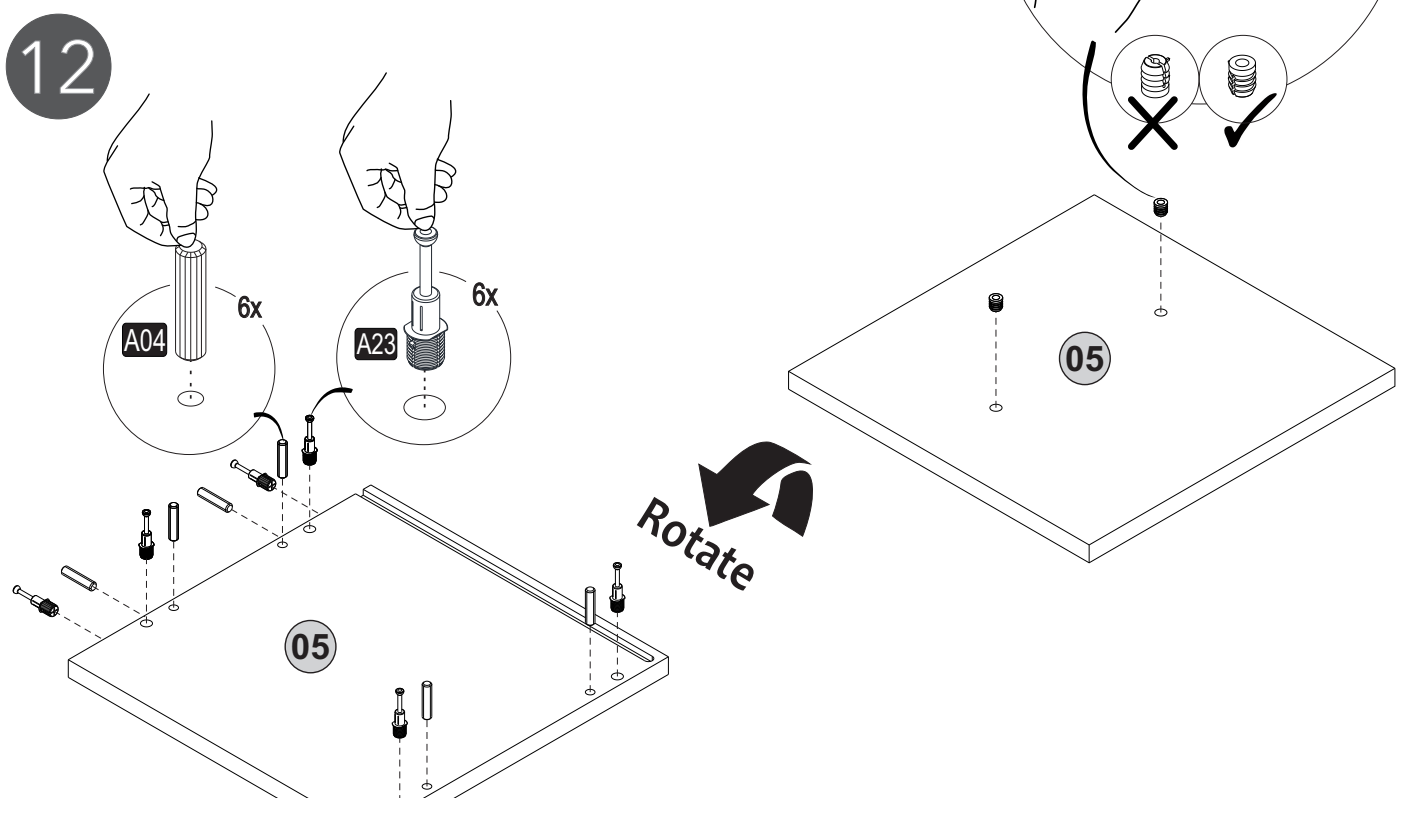
10



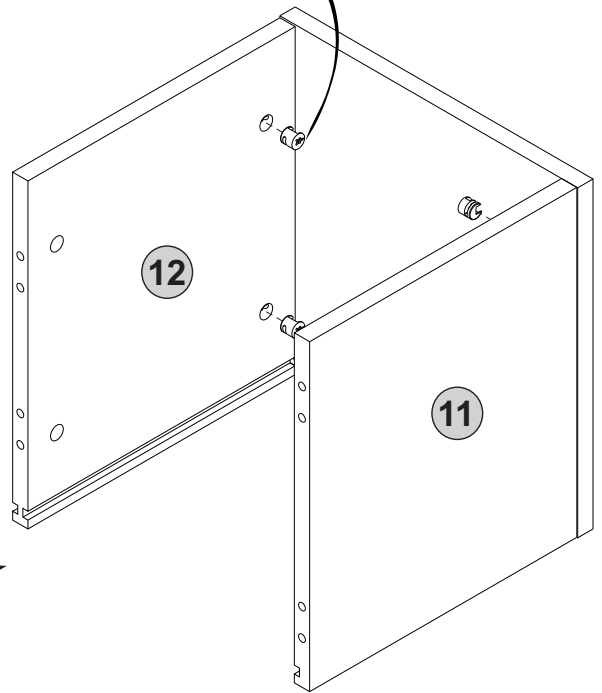
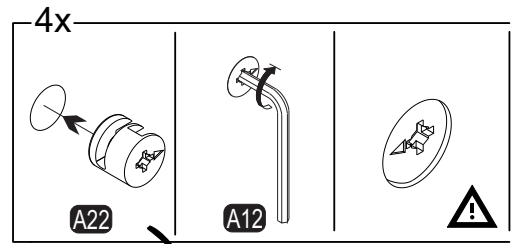
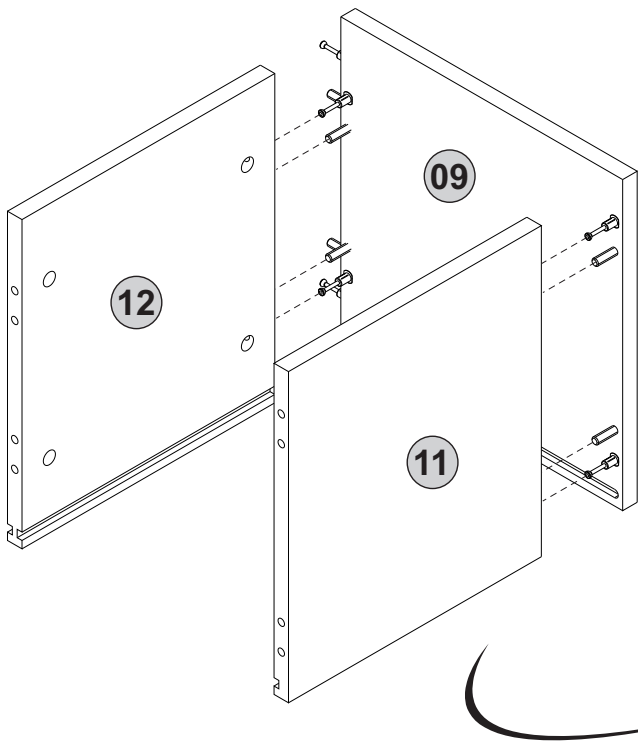
11



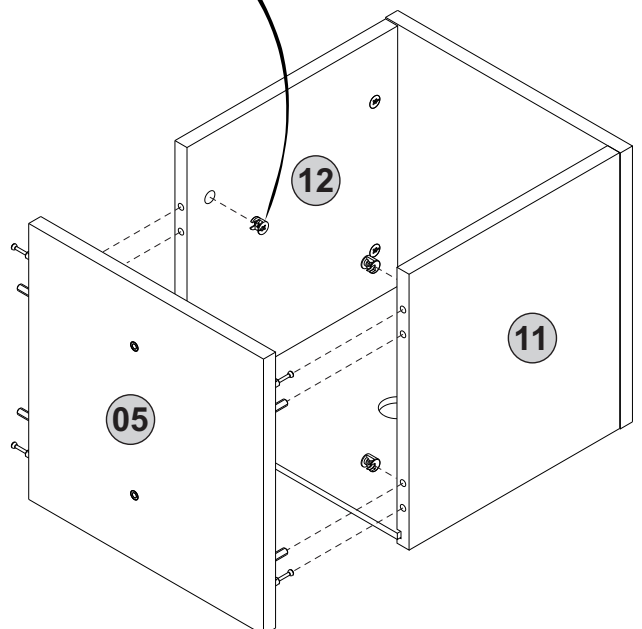
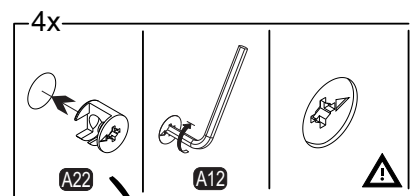
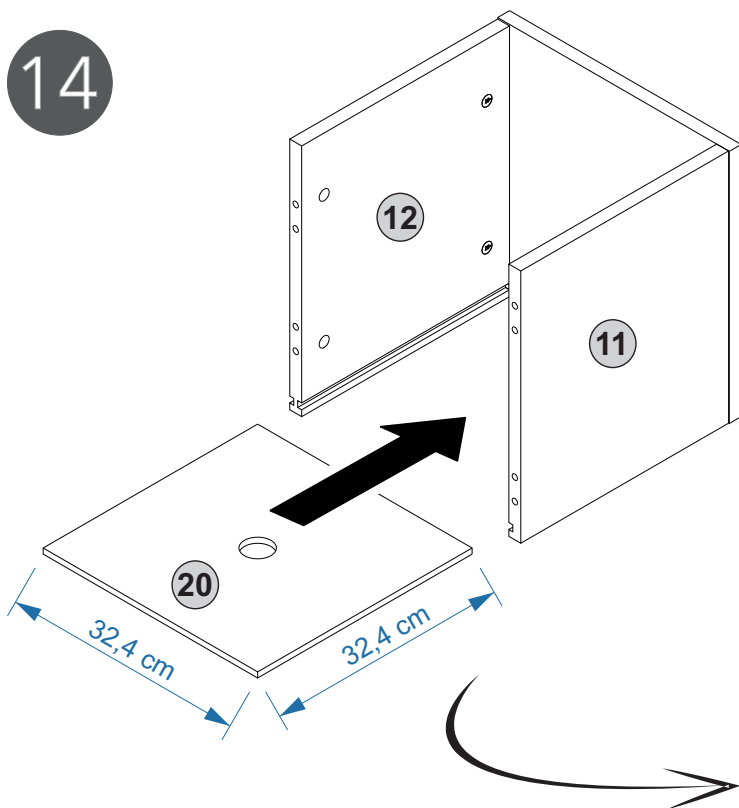
12



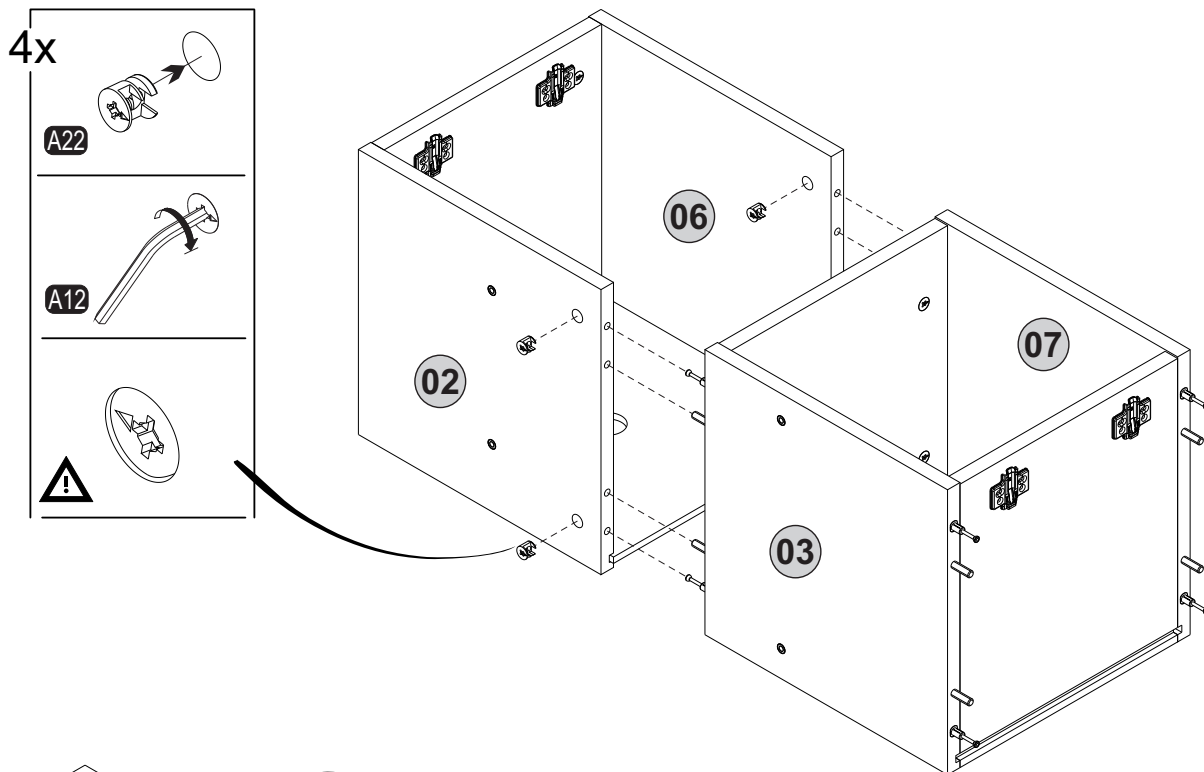
13



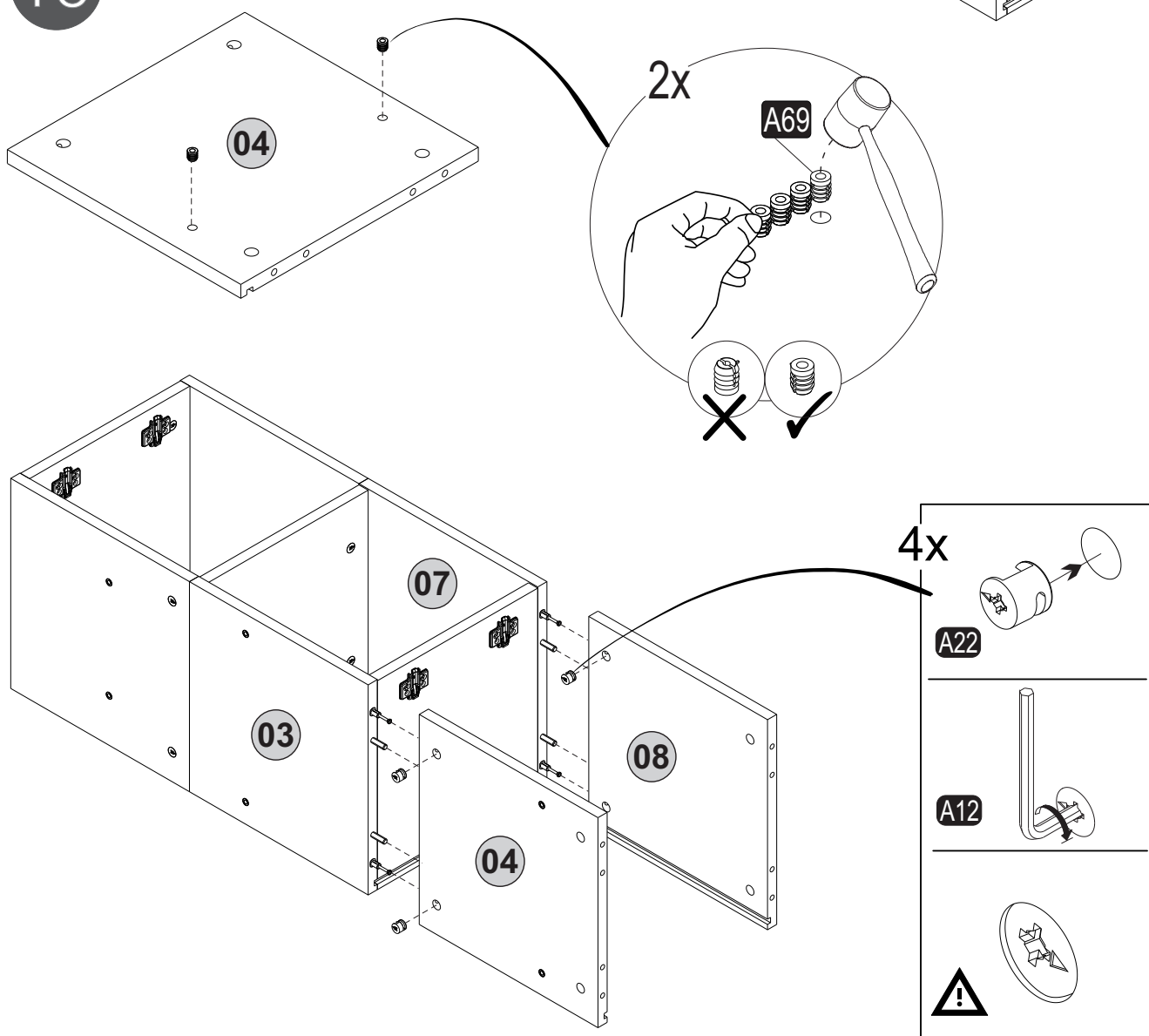
14



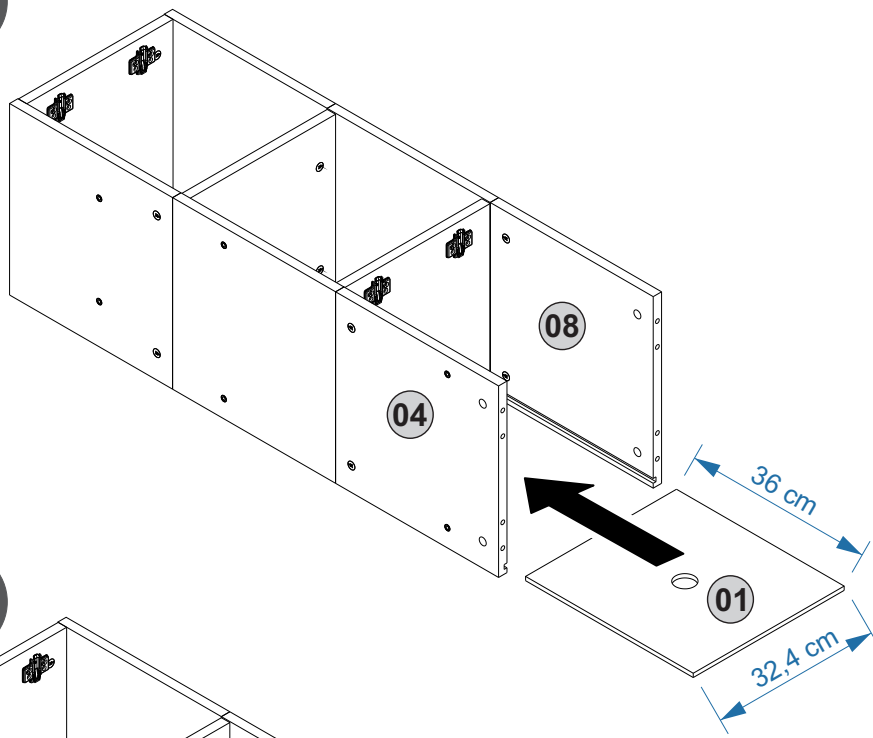
15



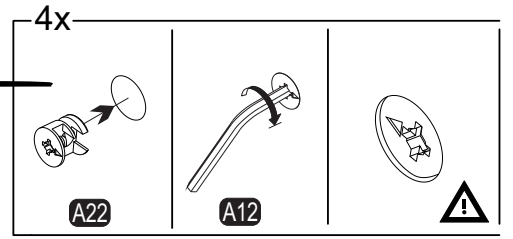
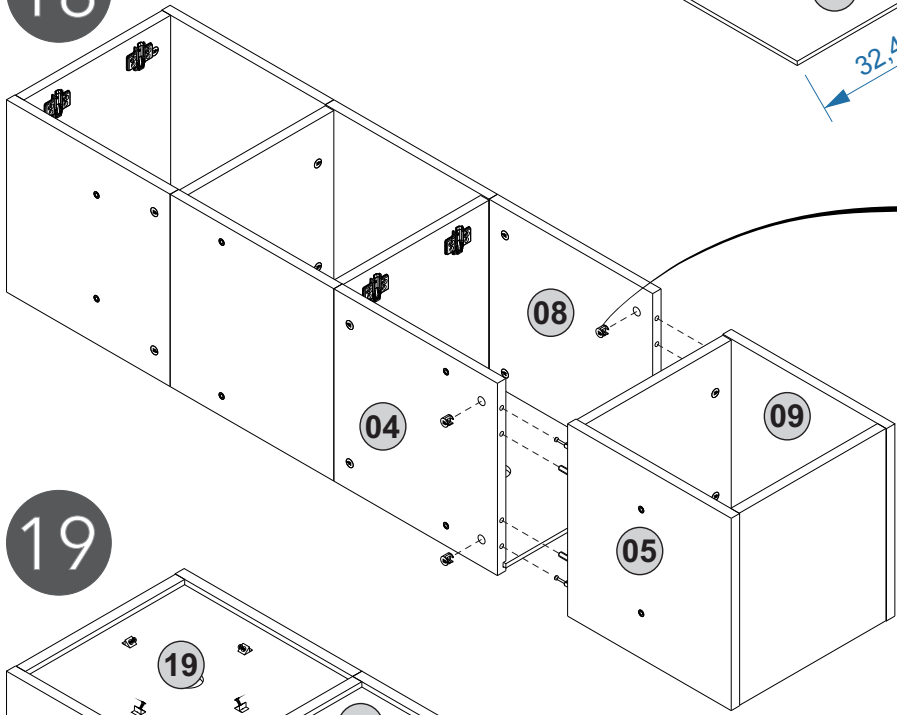
16



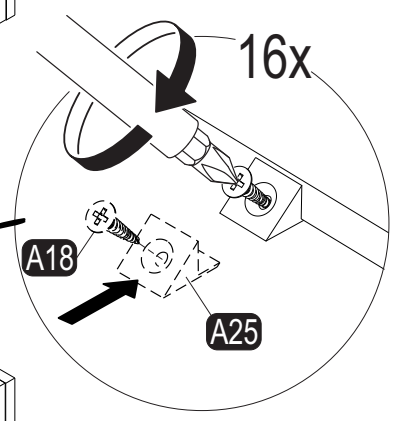
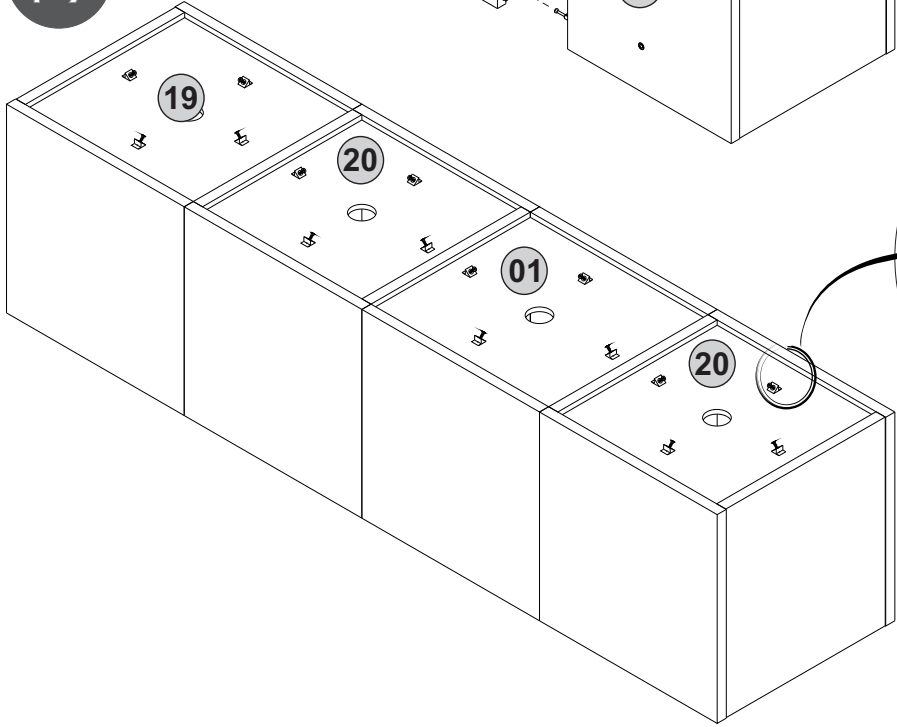
17



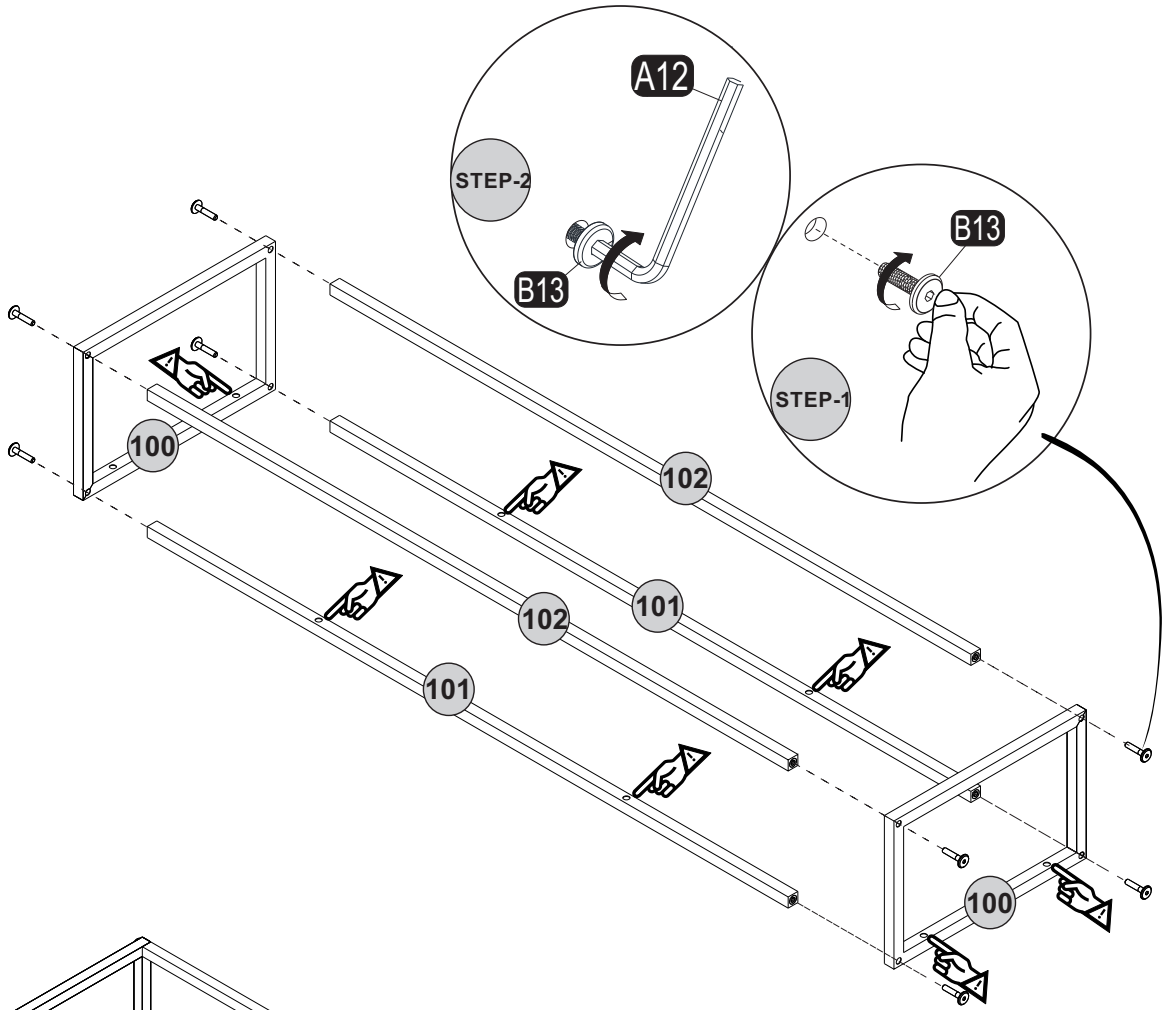
18



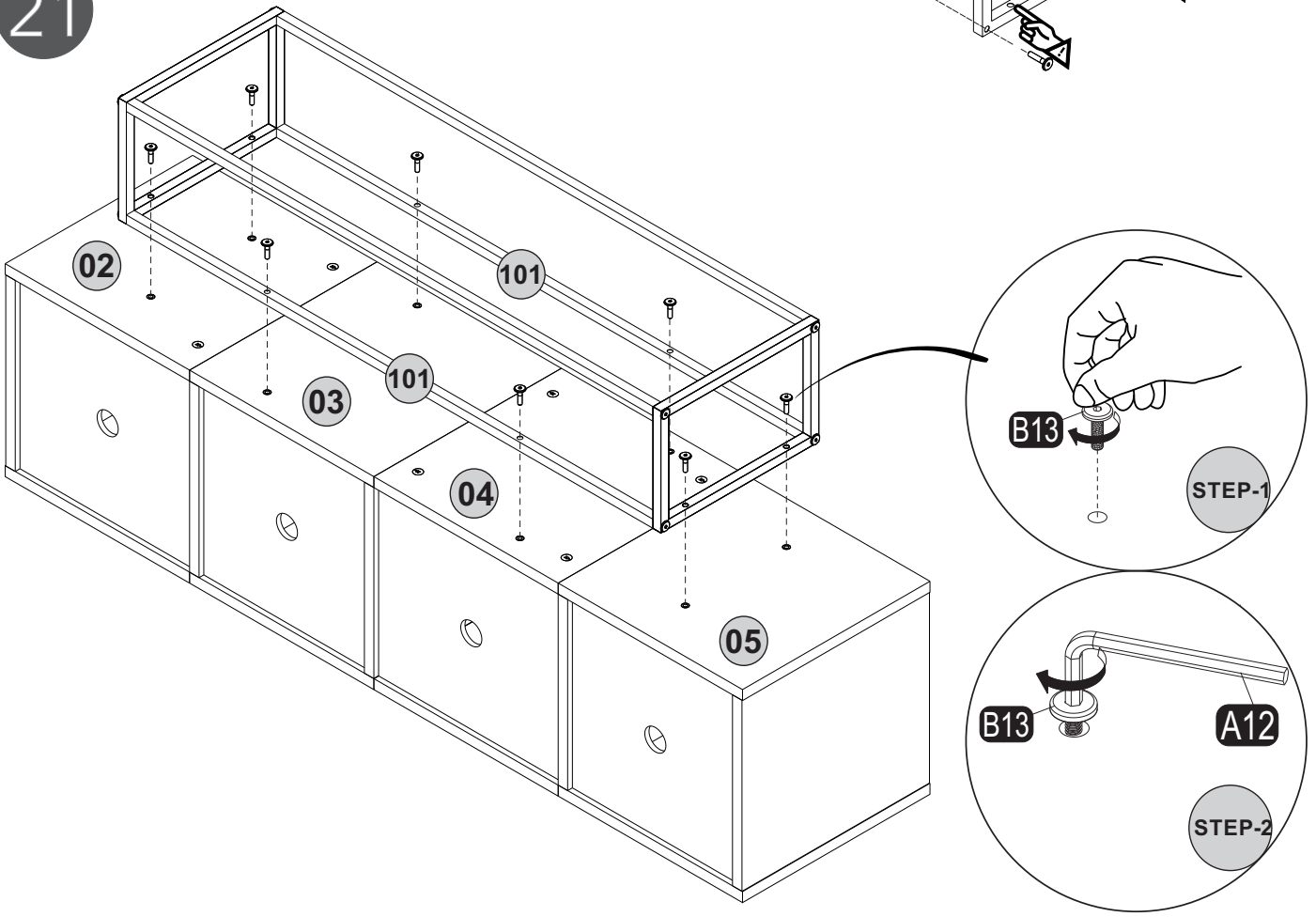
19



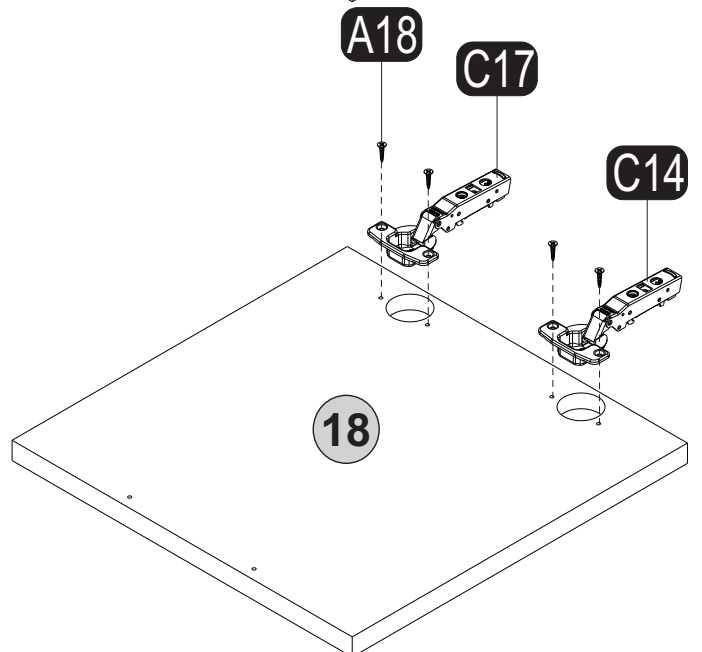
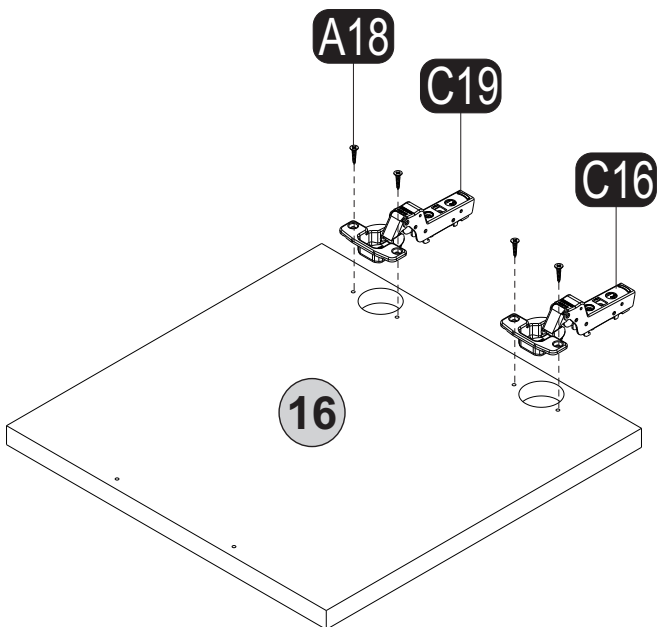
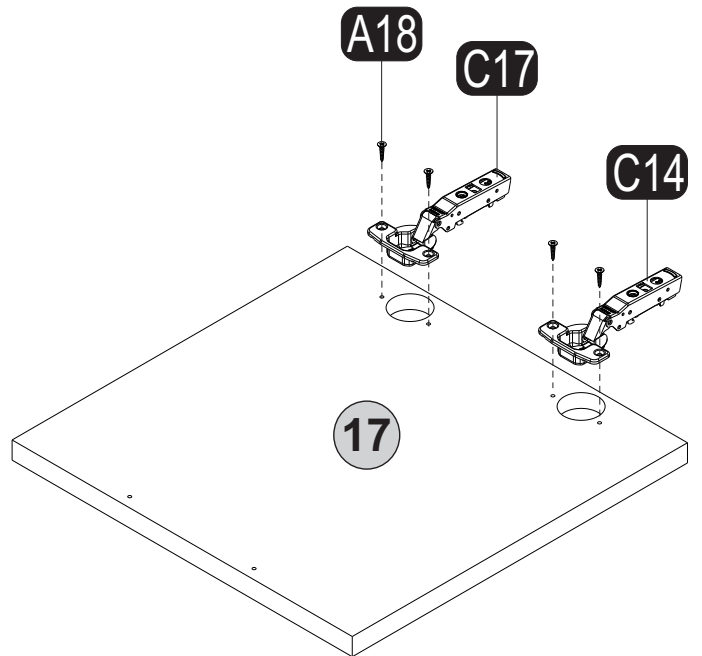
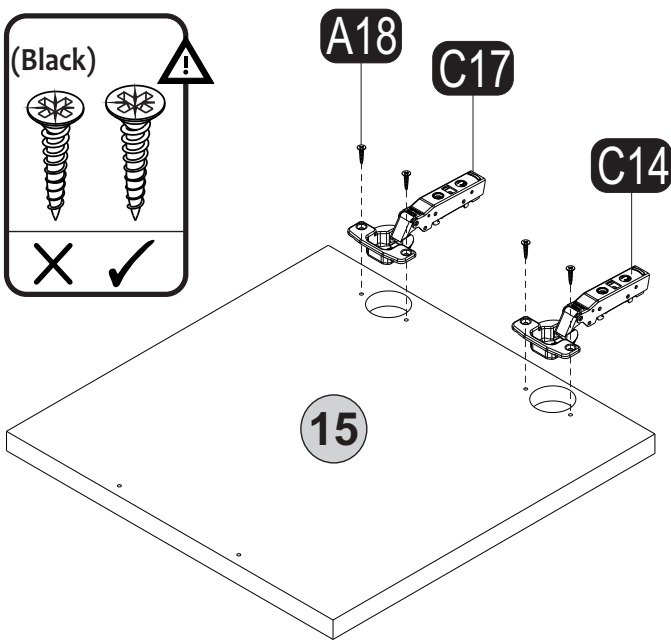
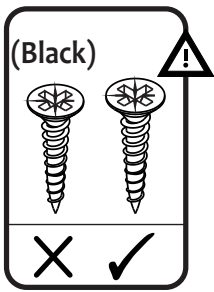
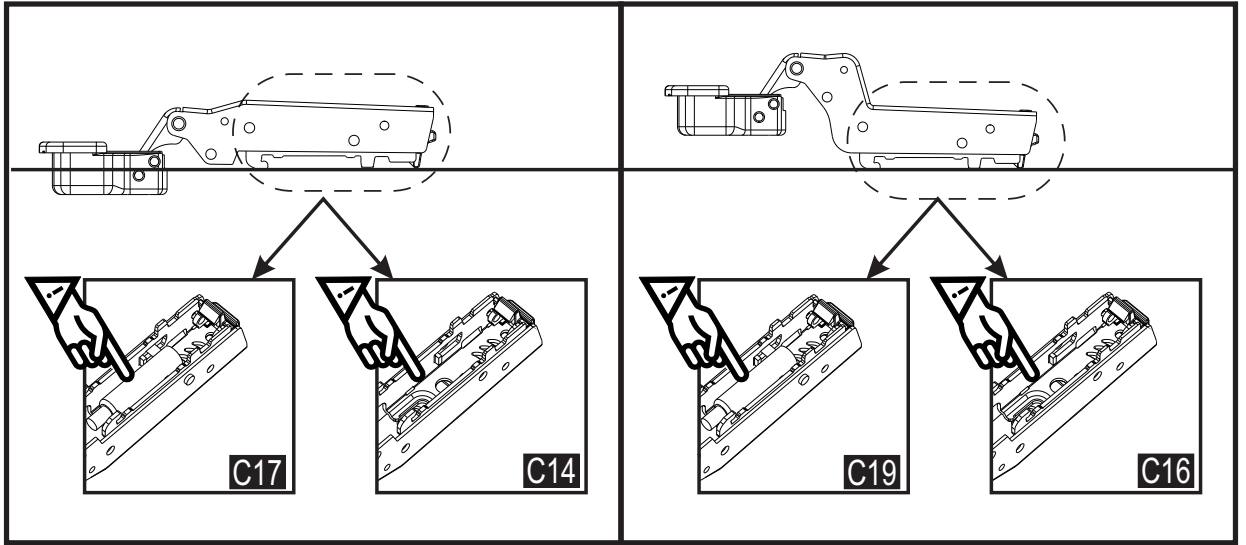
20



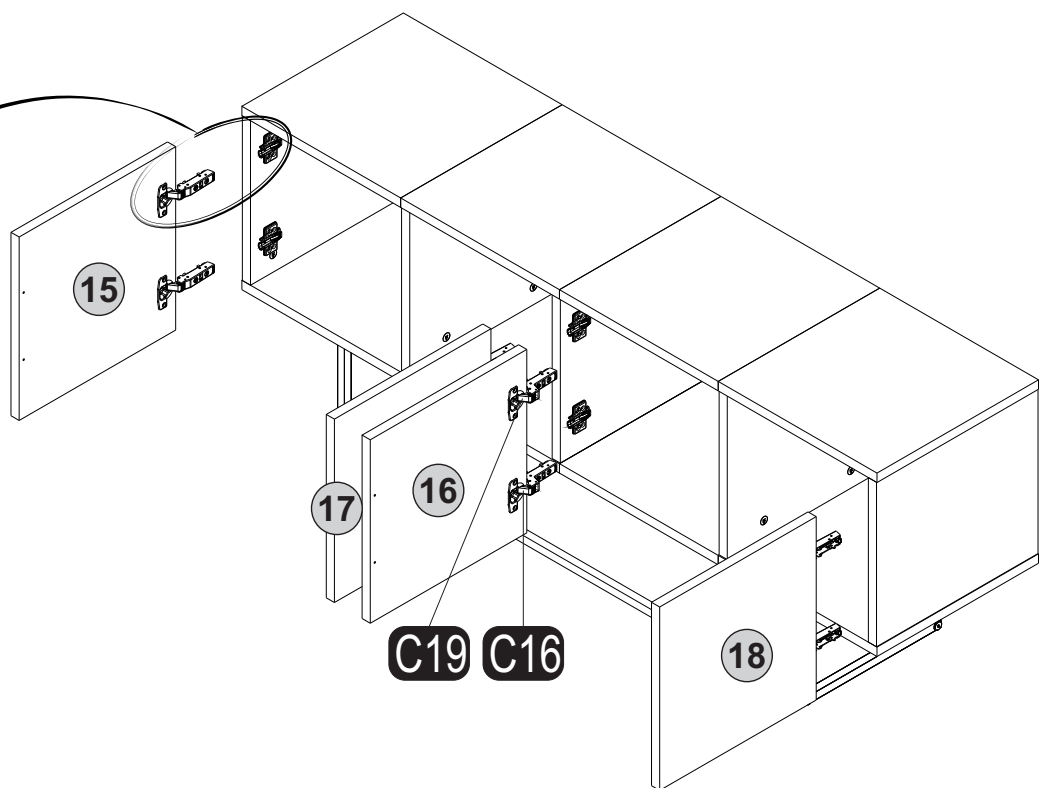
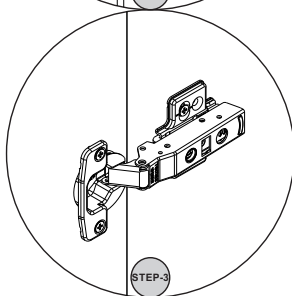
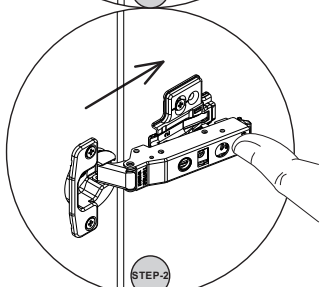
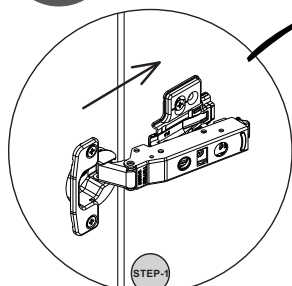
21



22



23



24

