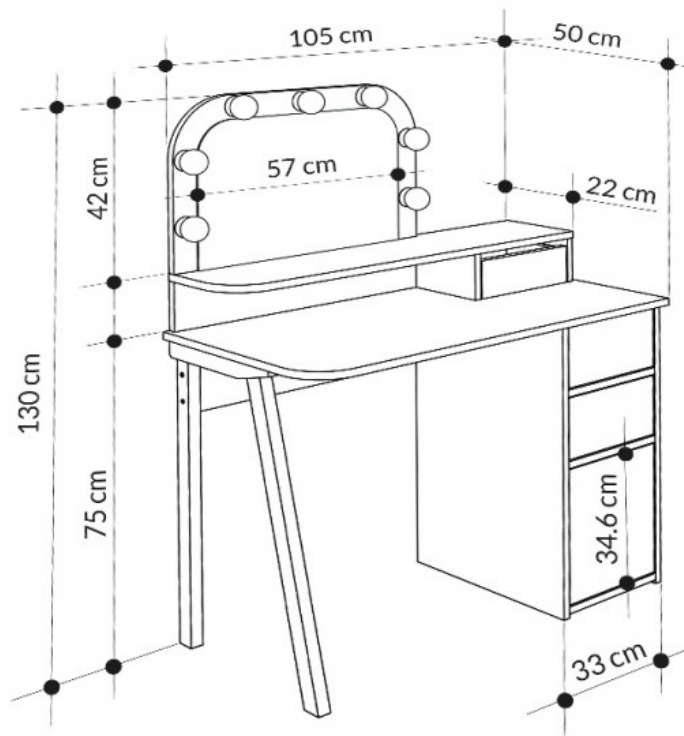
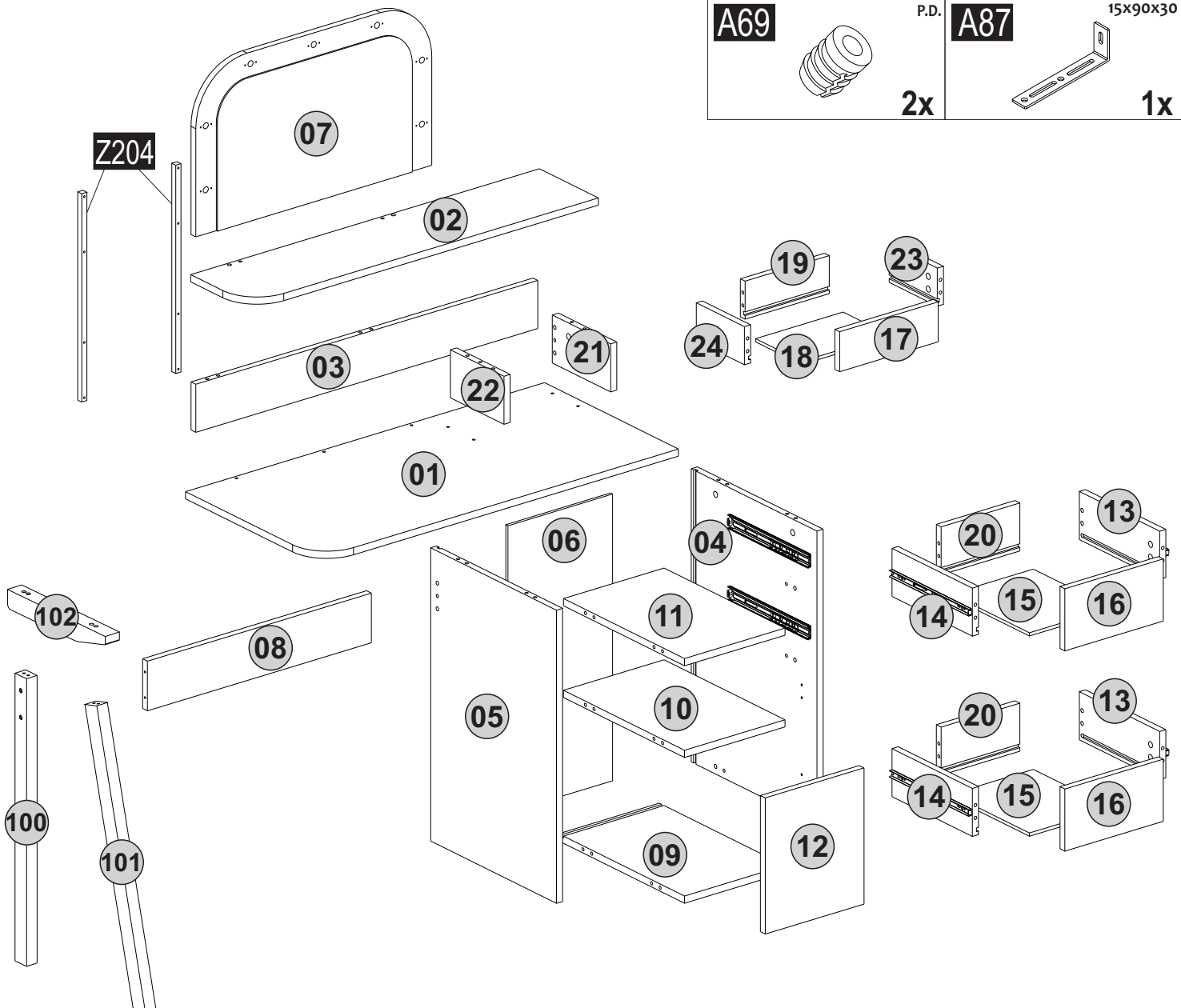


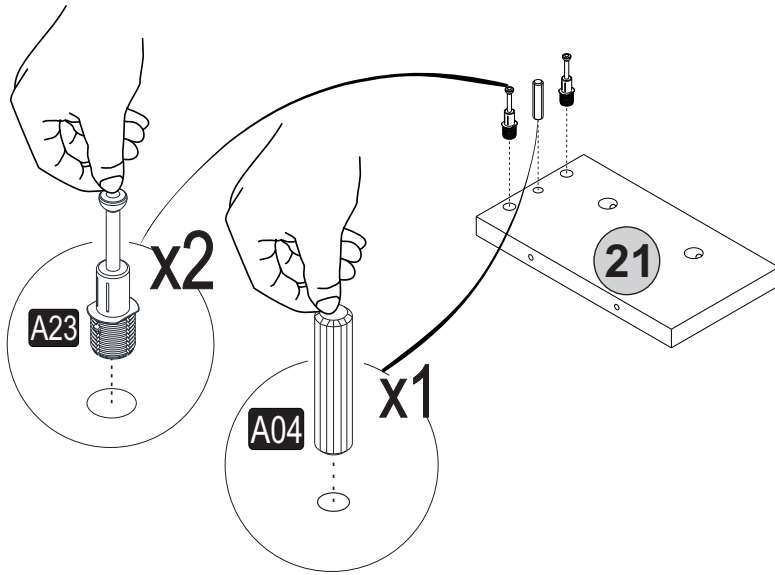
**i** GP037-0199,1



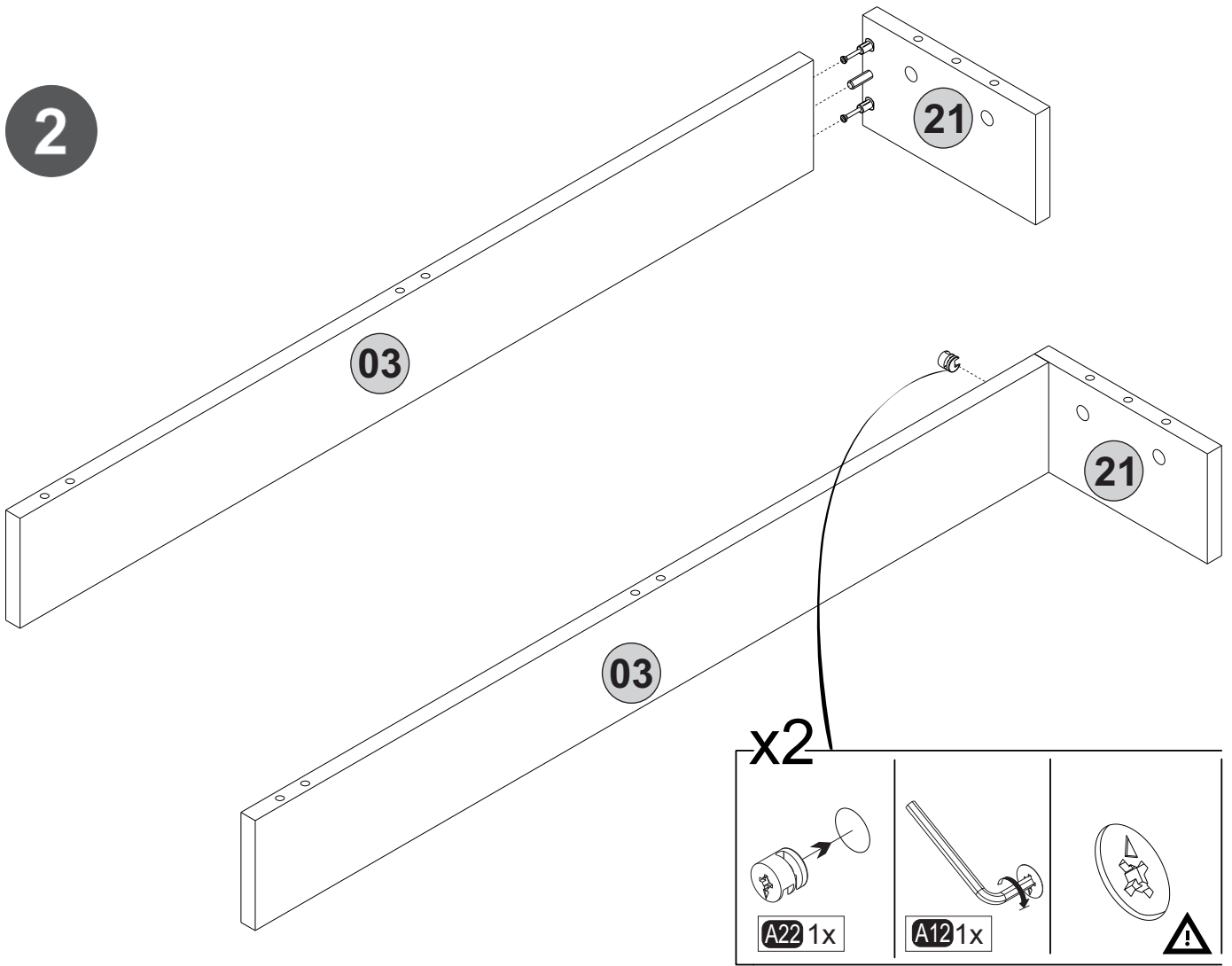
<b>A04</b> Ø8 24x 	<b>A06</b> 18mm C1-56x C2-4x 	<b>A12</b> Allen 1x 	<b>A18</b> 3,5x18 34x 	<b>A22</b> Minifix k18 52x 
<b>A23</b> Minifix M10 52x 	<b>A25</b> ARK.PL 6x 	<b>A80</b> bas ac 1x 50mm 	<b>B08</b> 55mm 2x DbØ8 	<b>A19</b> 70kv 6x 
<b>A34</b> 3,5x25 8x 	<b>Z204</b> 2x 	<b>A13</b> 8x 	<b>A16</b> 1x 	<b>A17</b> 4x50 1x 
<b>A119.a</b> 7x 	<b>A119.b</b> 7x 	<b>C20</b> Mtk(S) 2x 	<b>C16</b> Sdb(S) 1x 	<b>C19</b> SdbF(S) 1x 
		<b>A69</b> 2x 	<b>A87</b> 15x90x30 1x 	



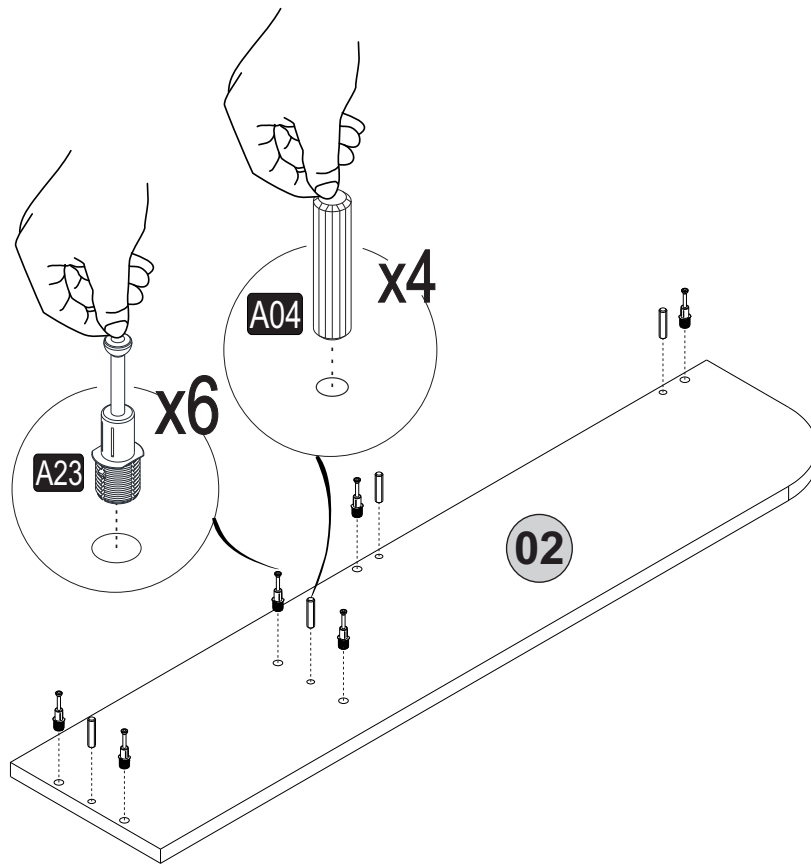
1



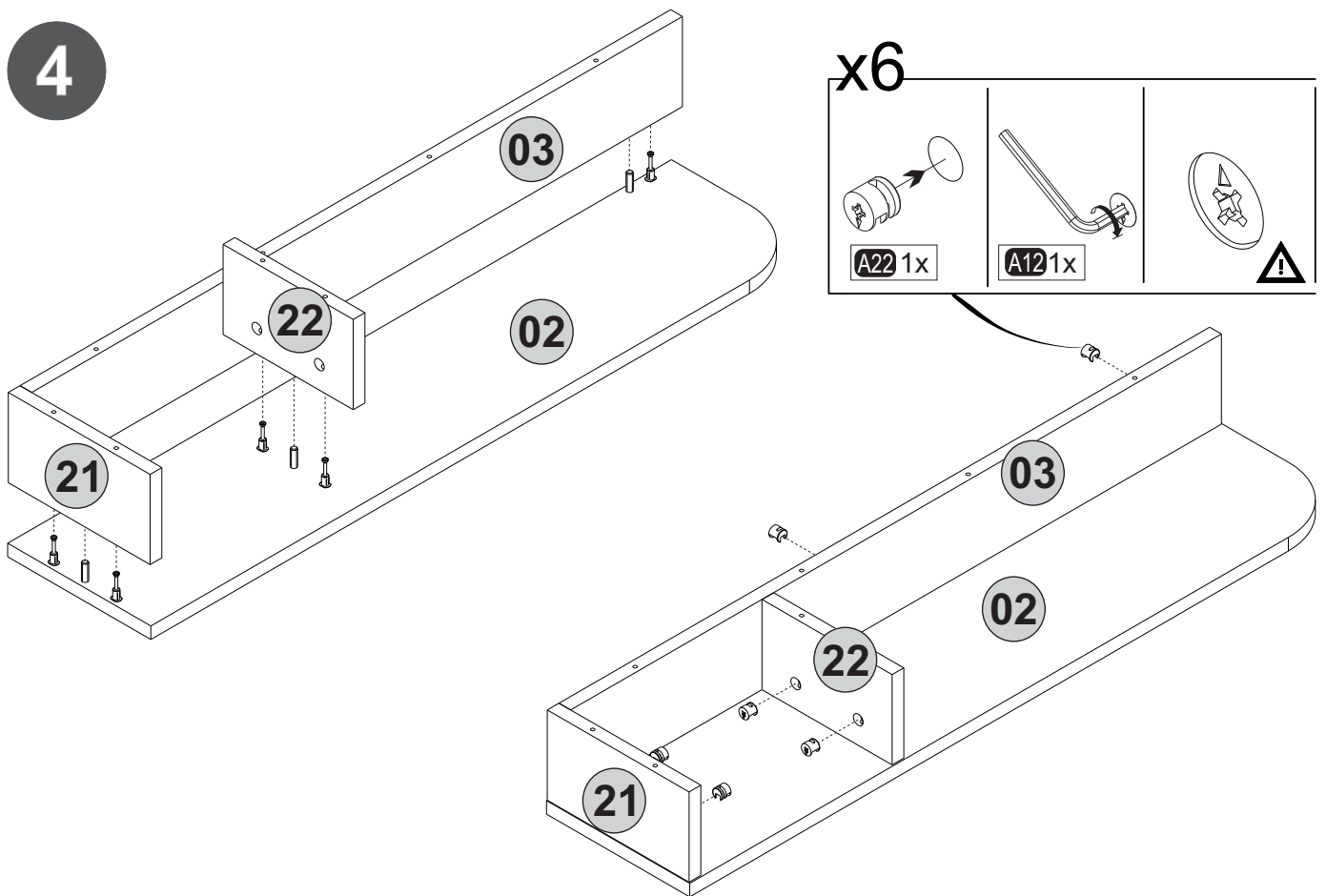
2



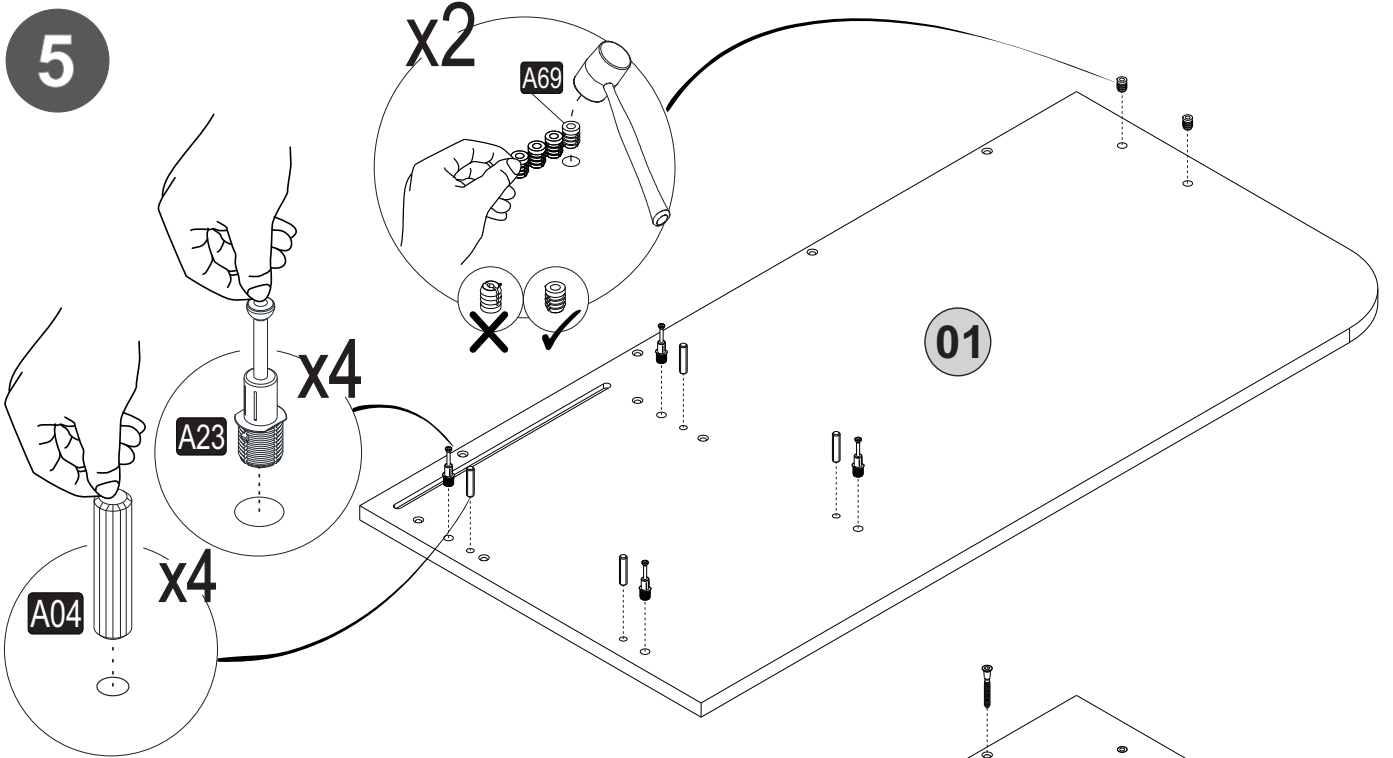
3



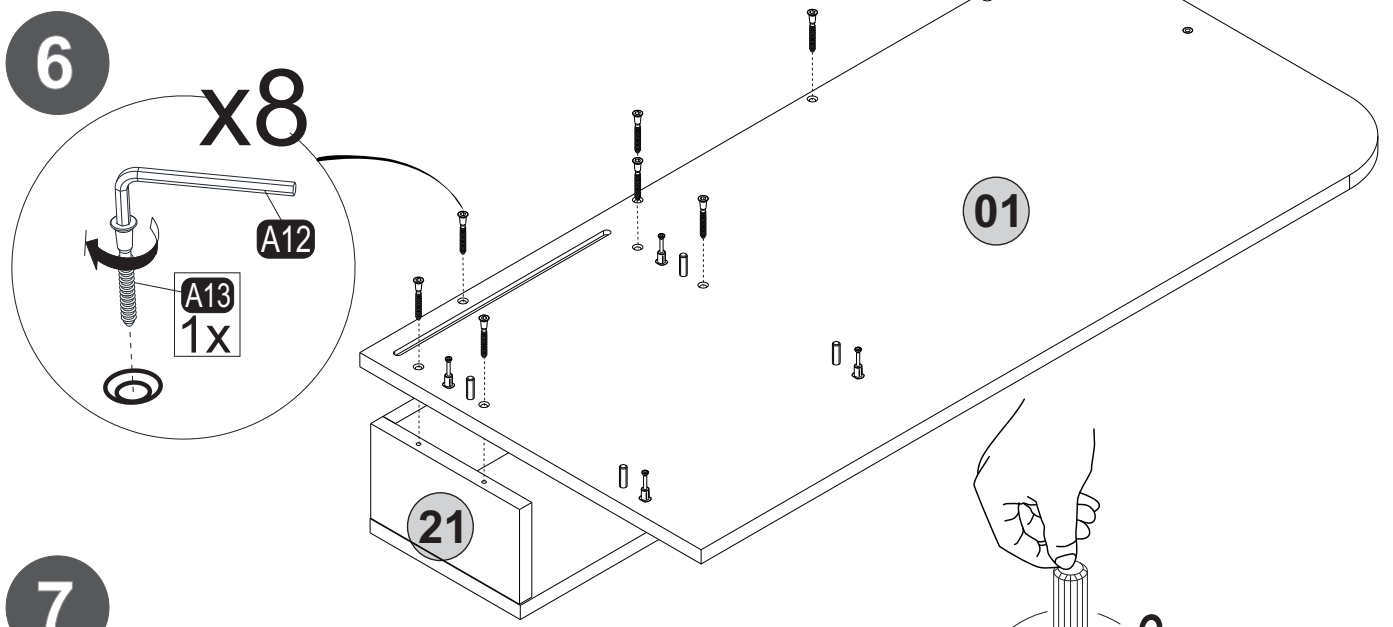
4



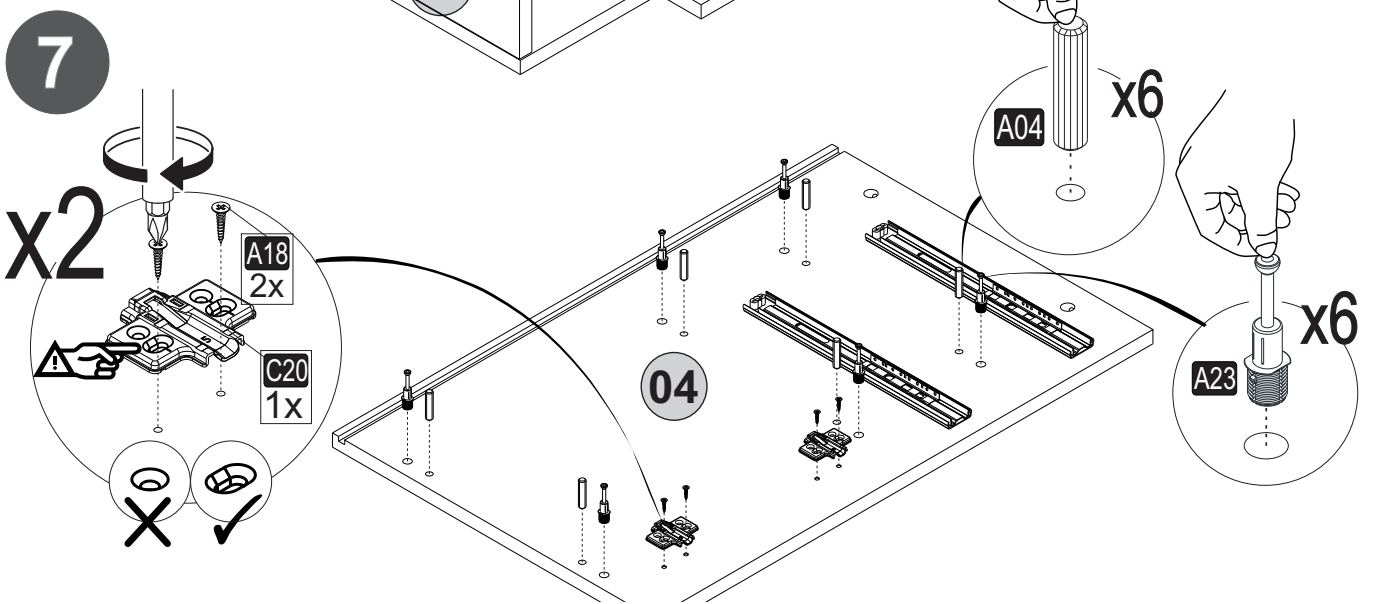
5



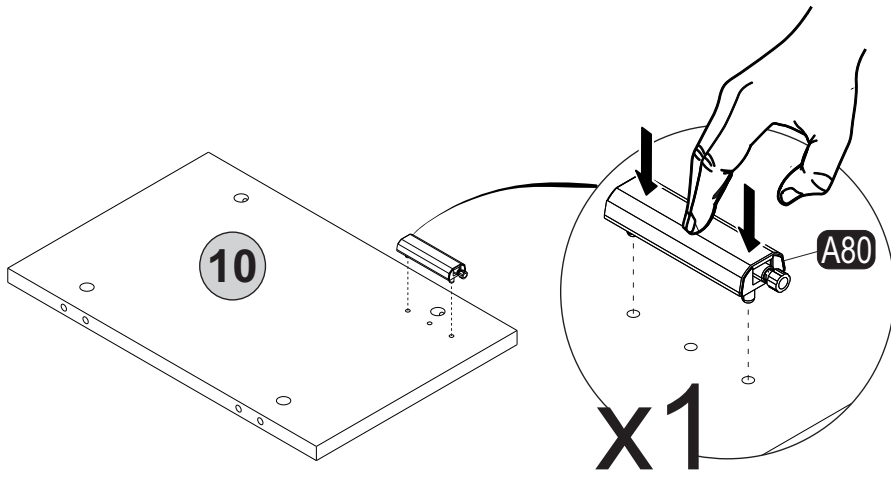
6



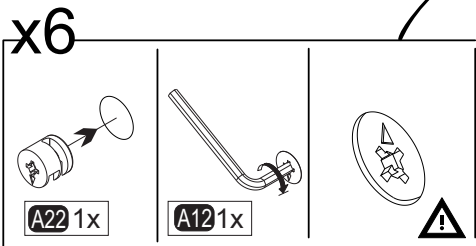
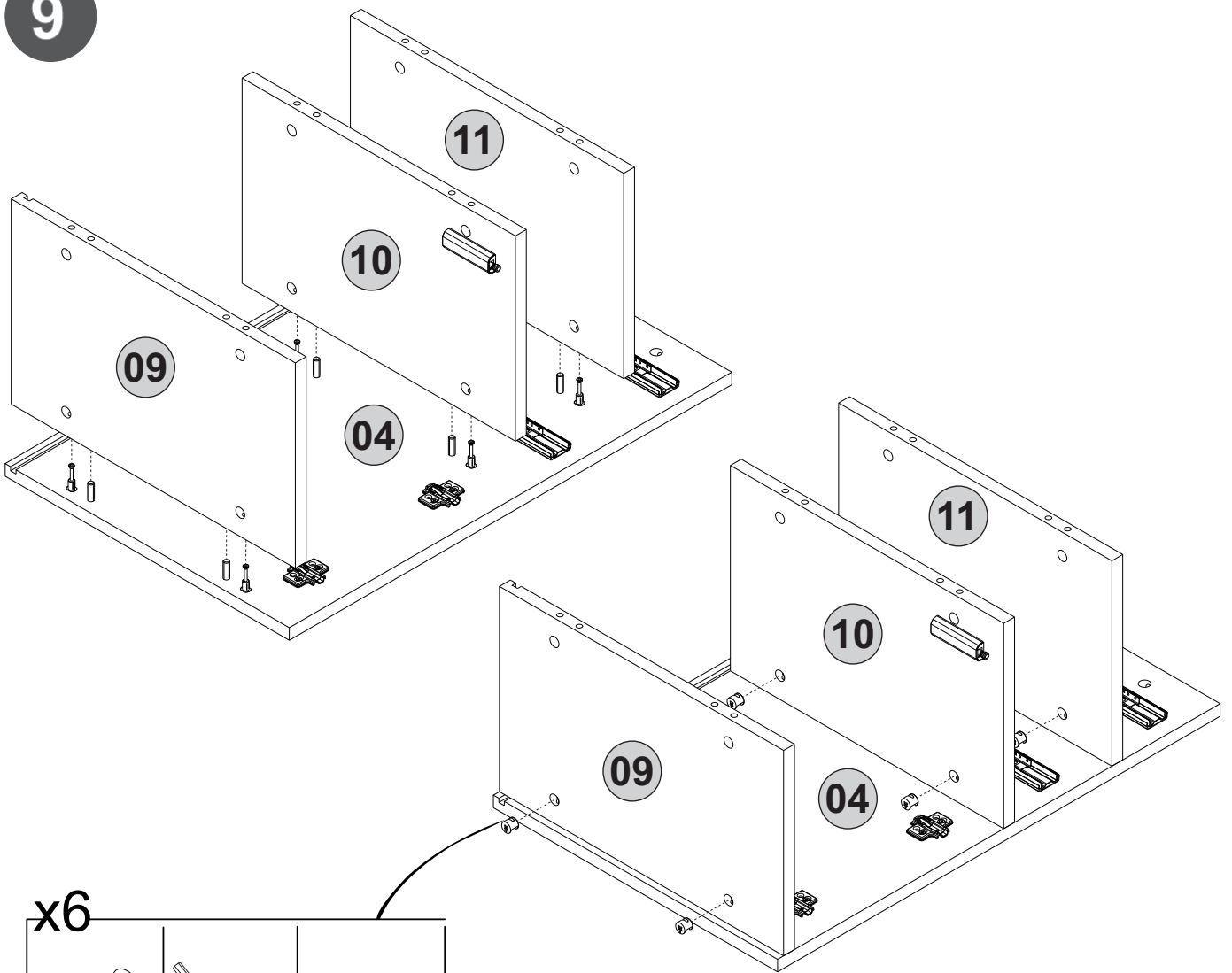
7



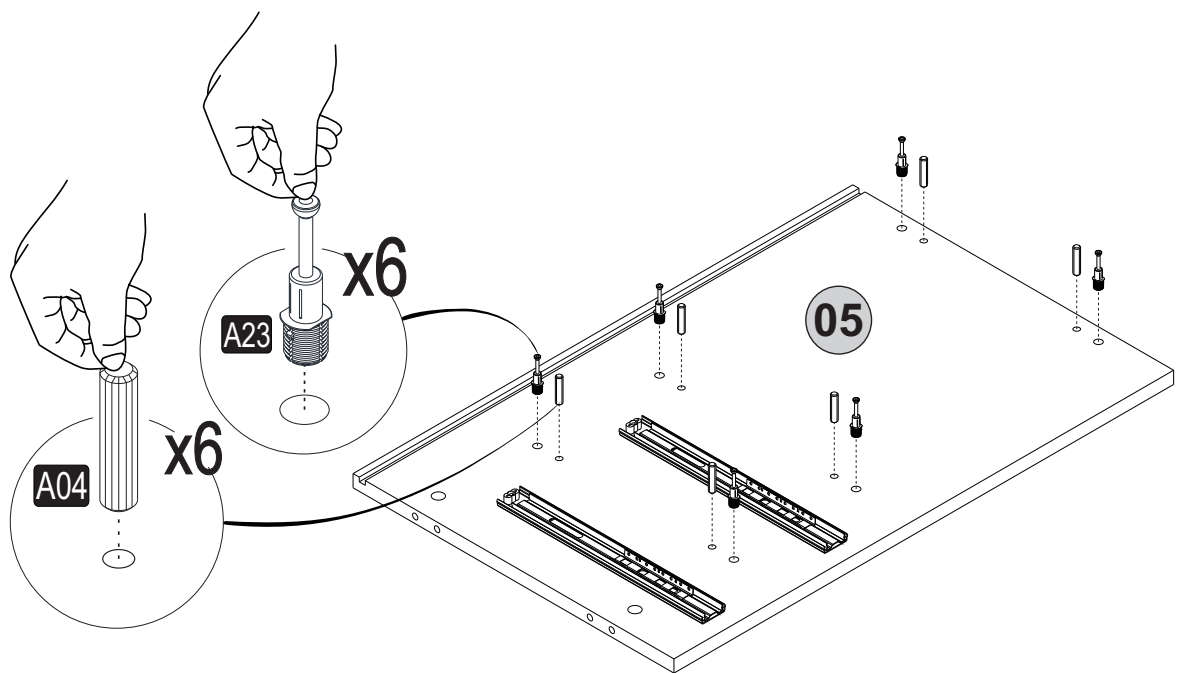
8



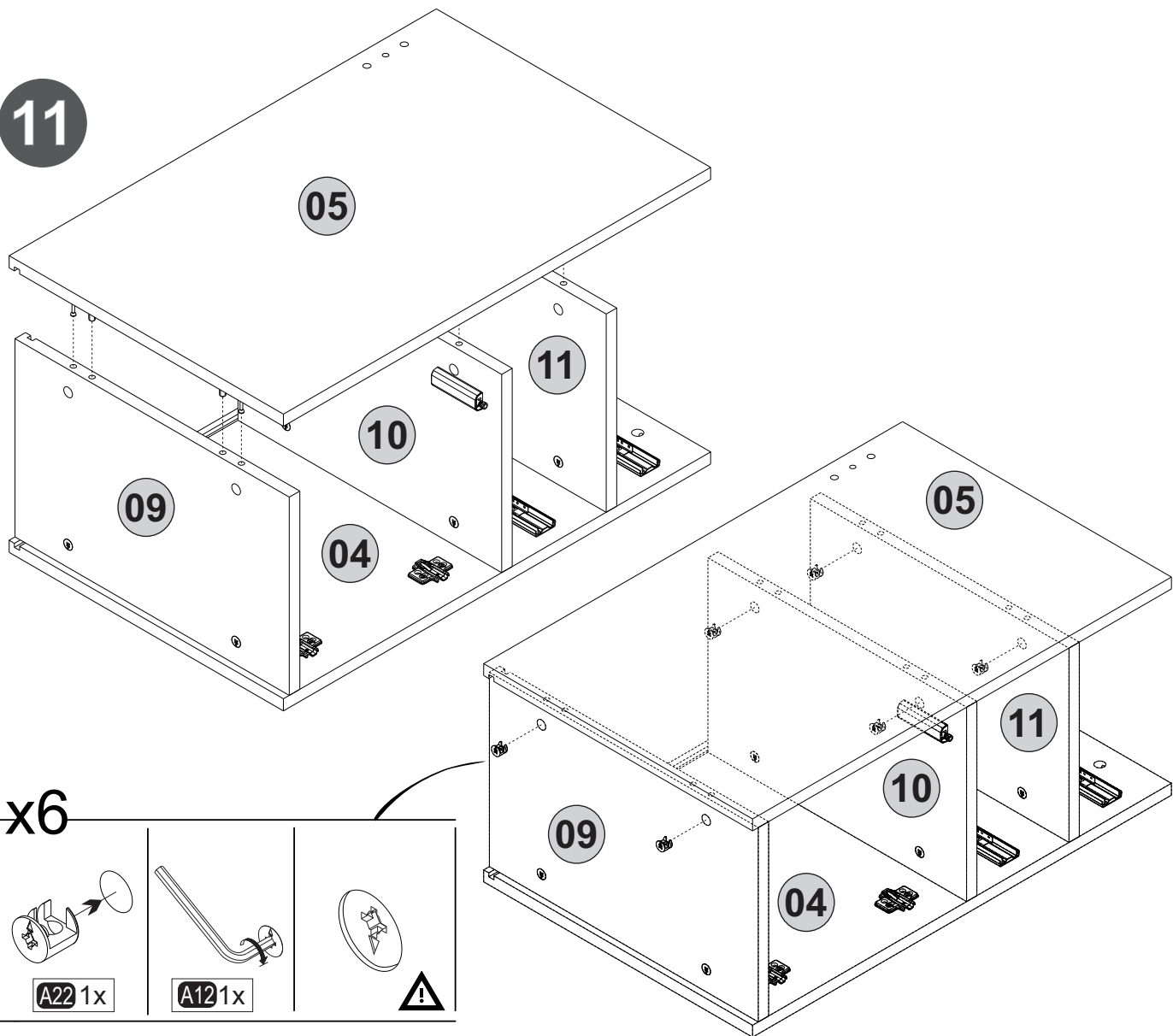
9



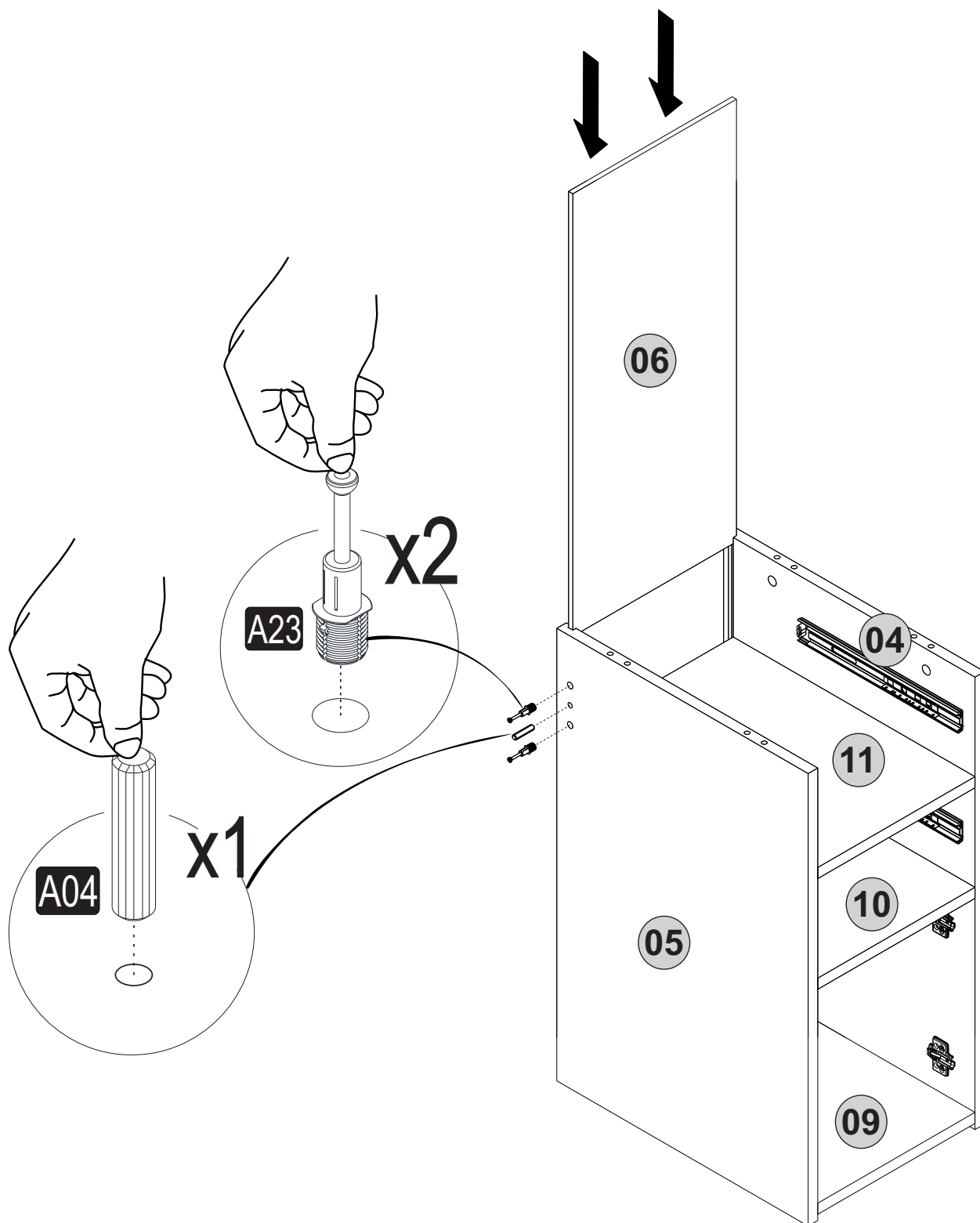
10



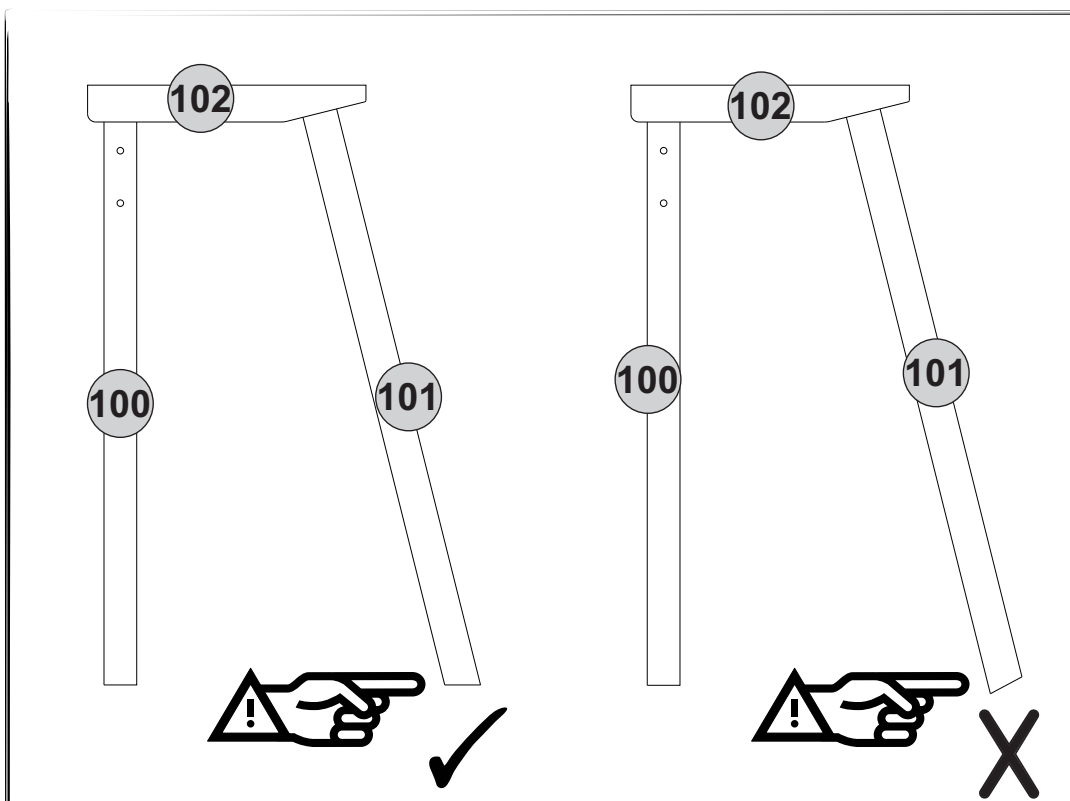
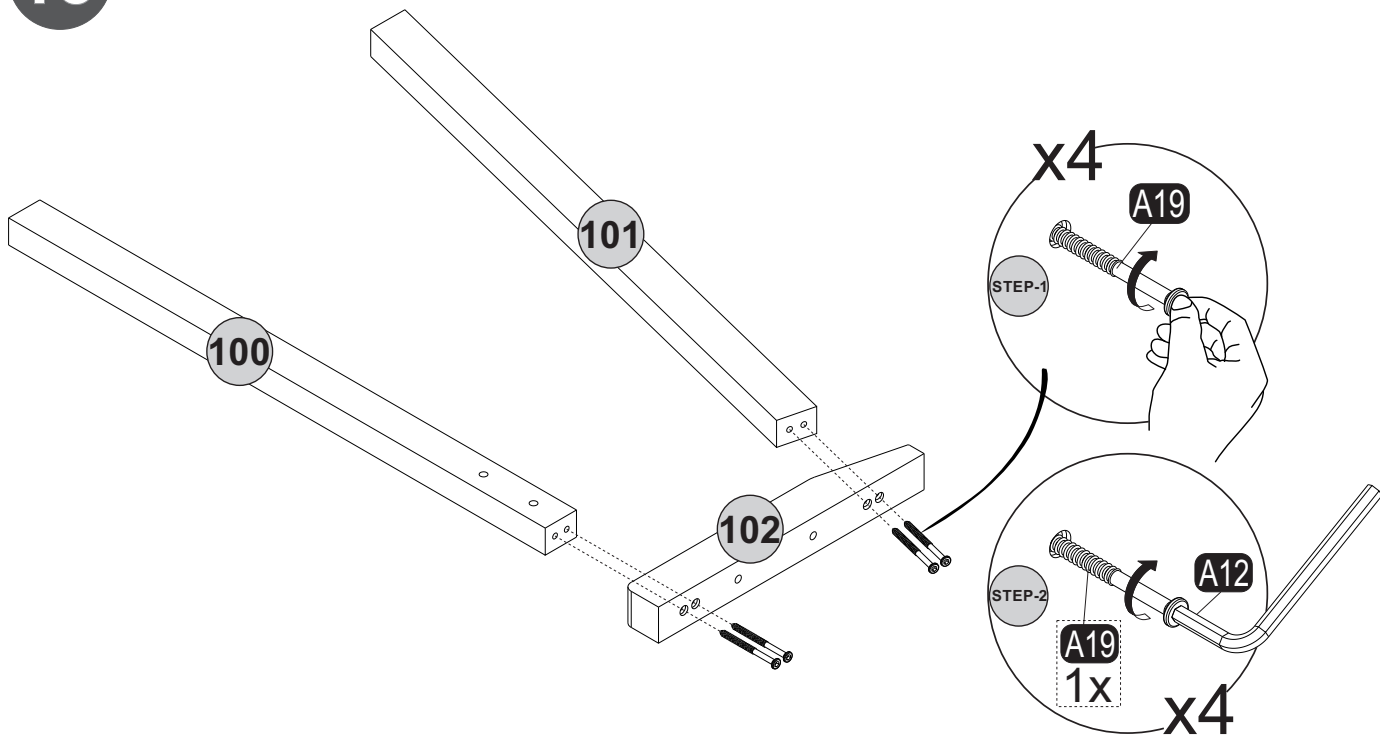
11



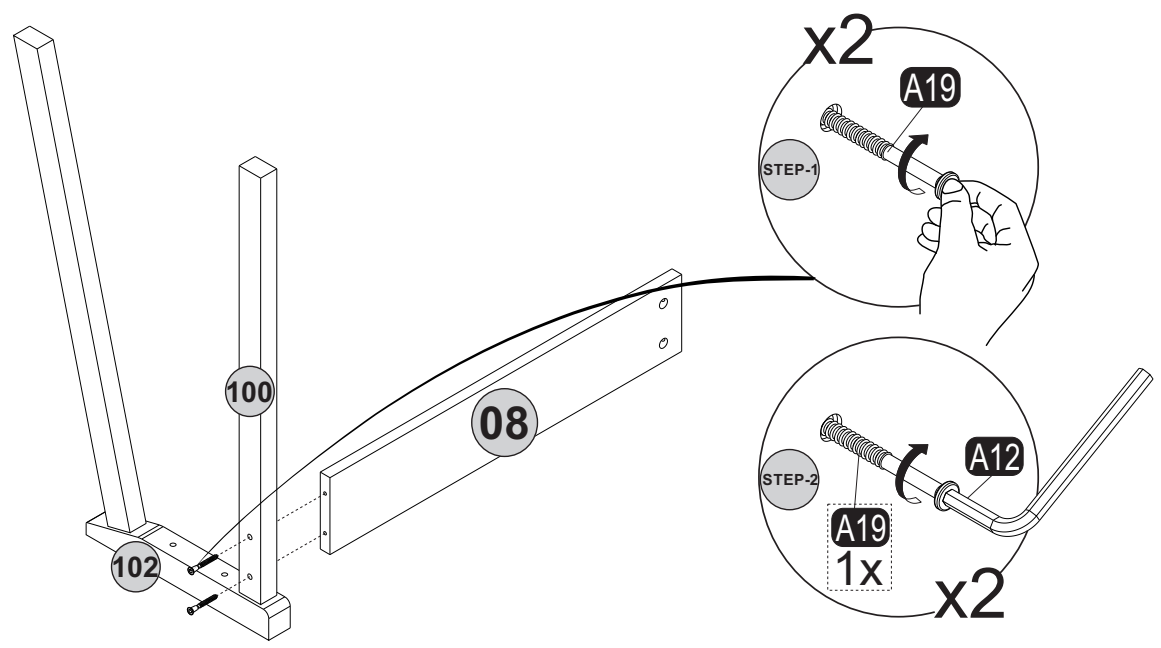
12



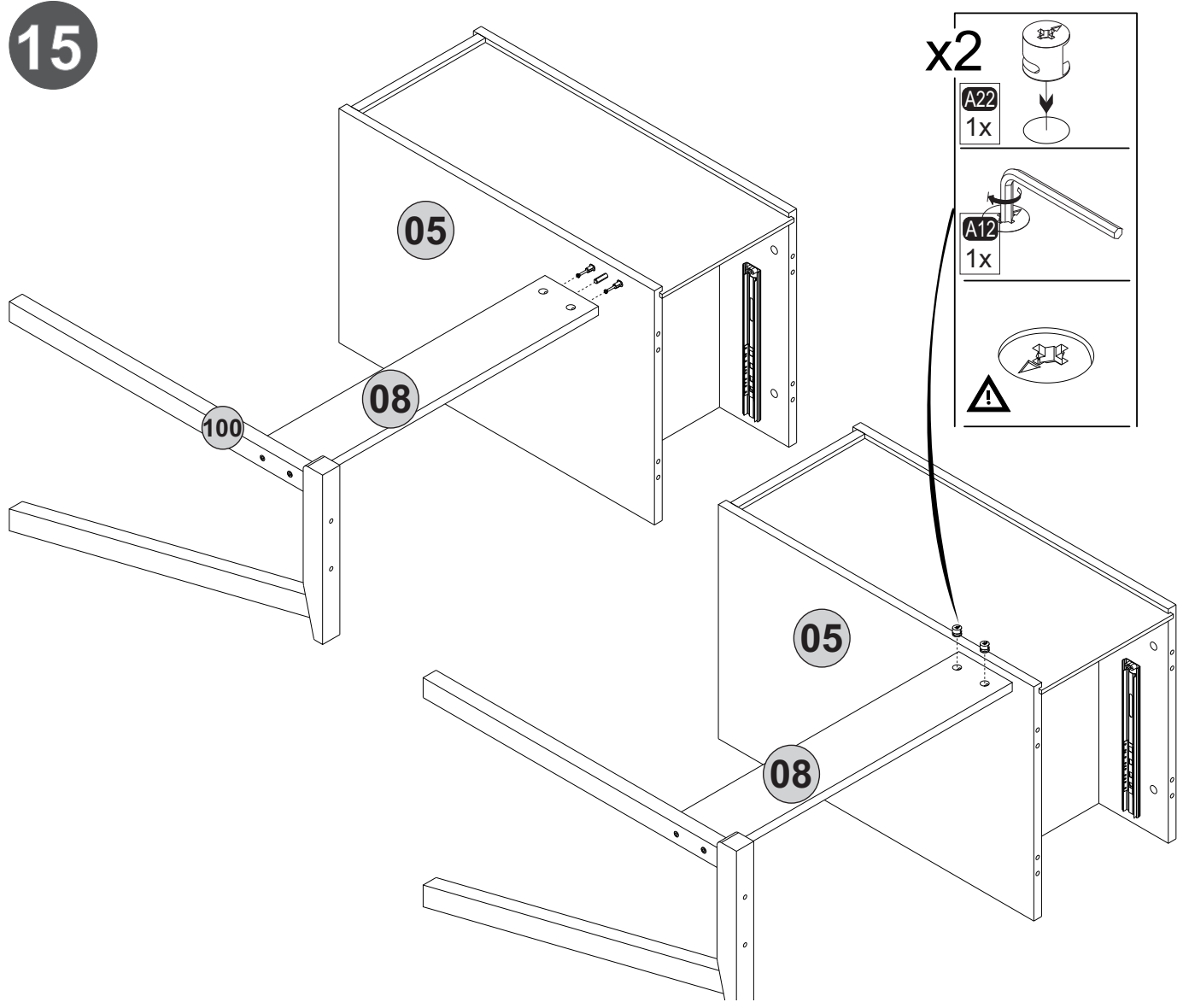
13



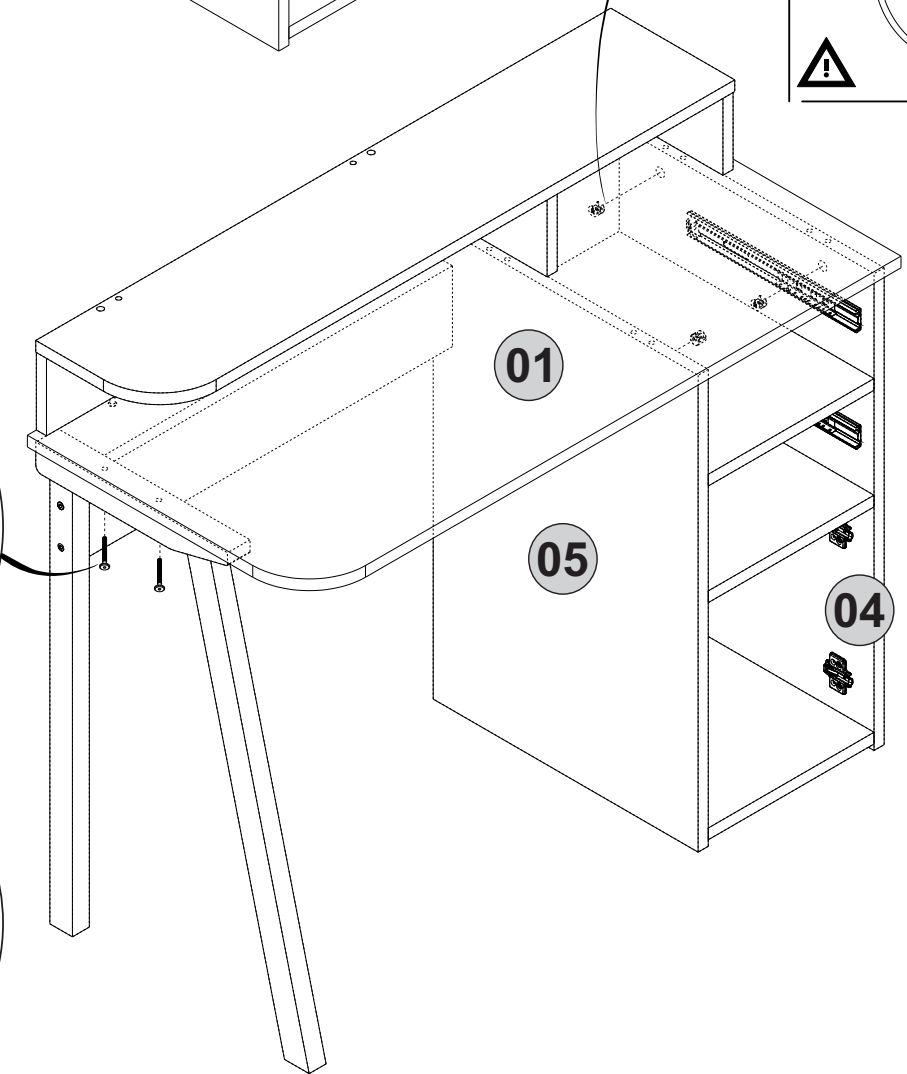
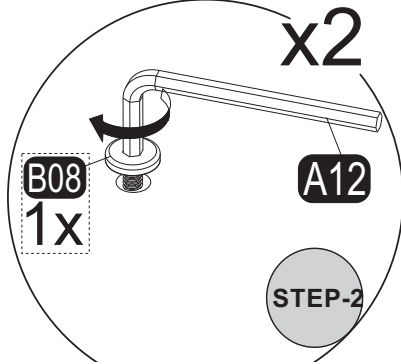
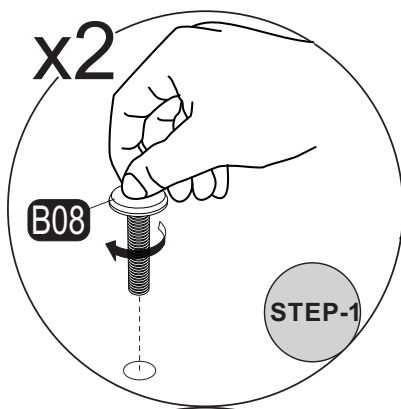
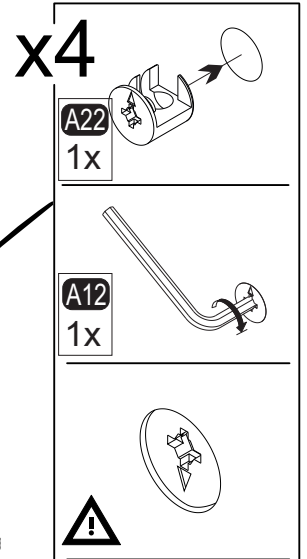
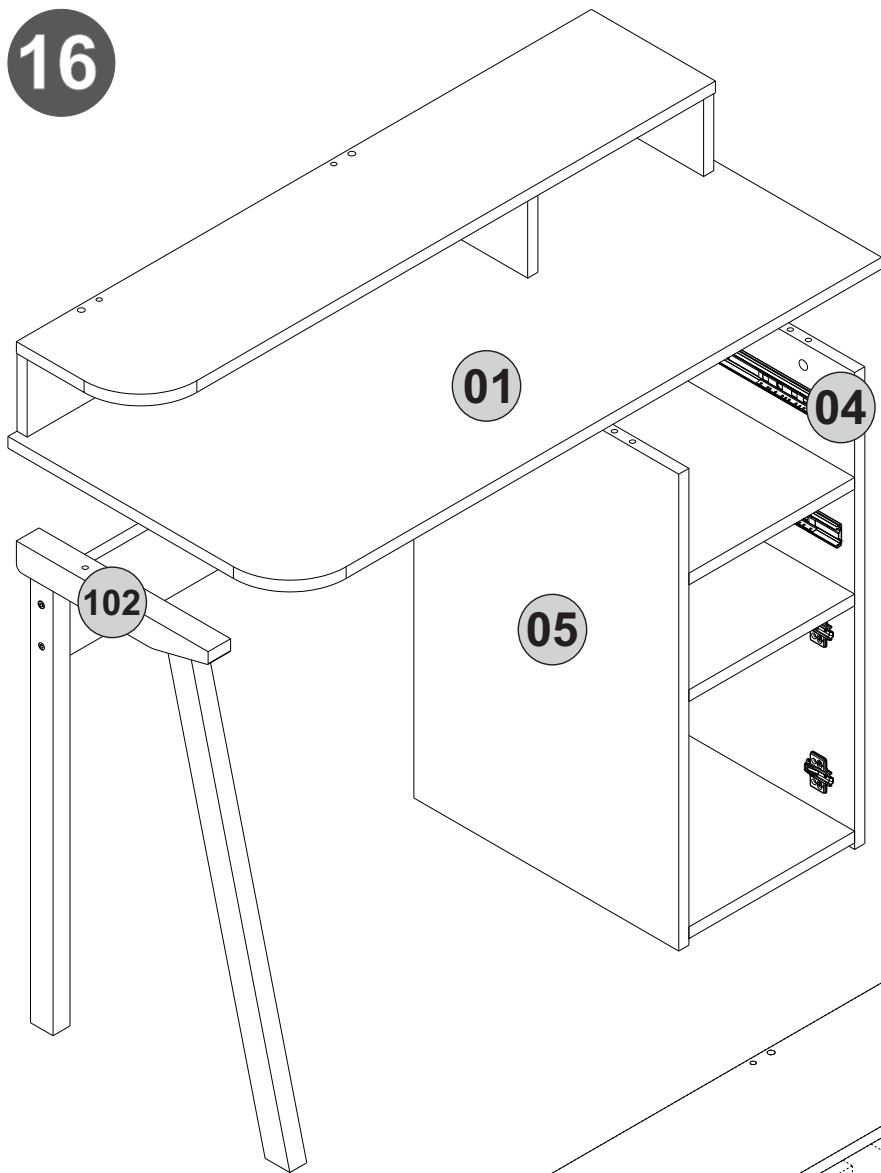
14



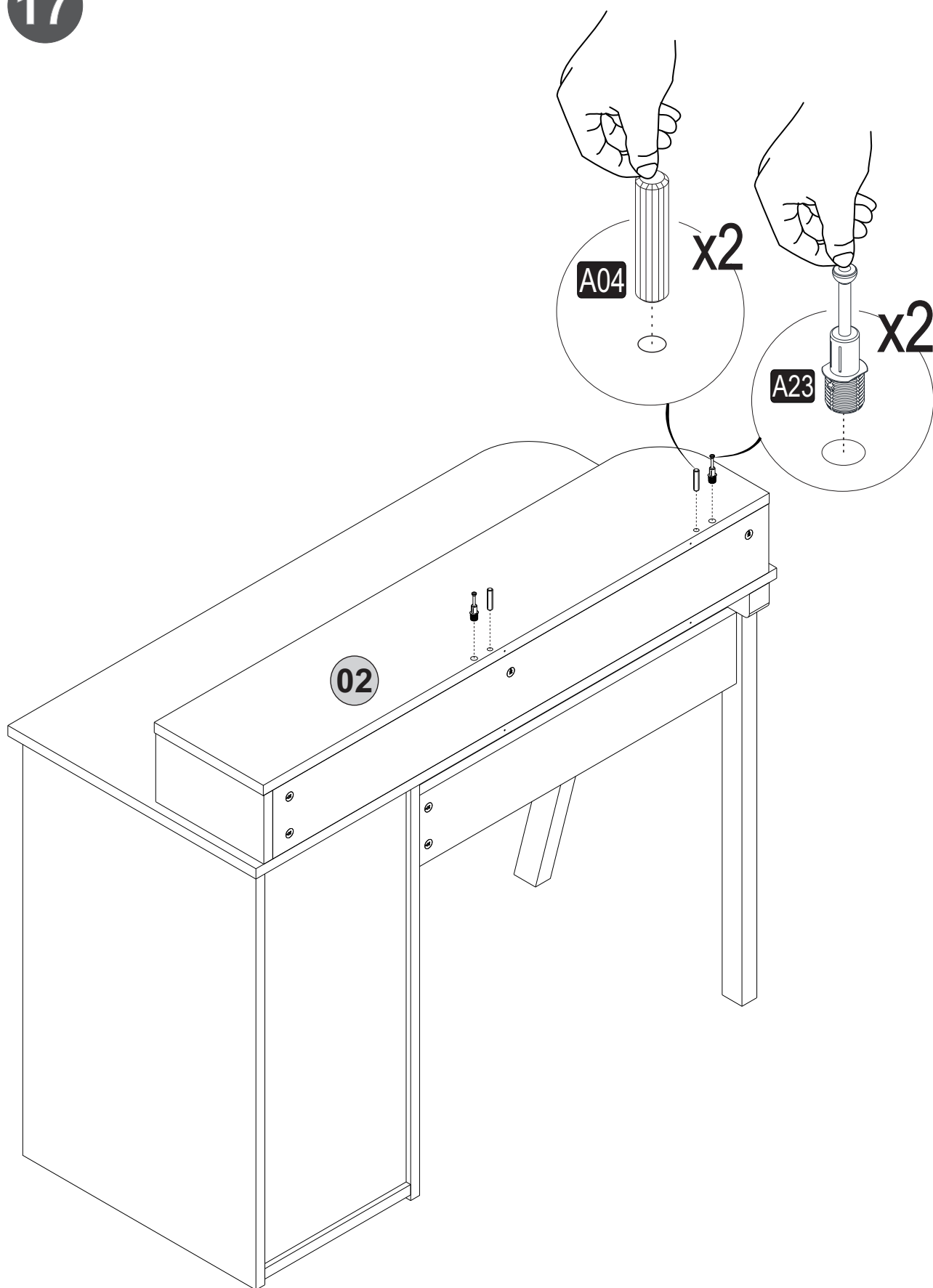
15



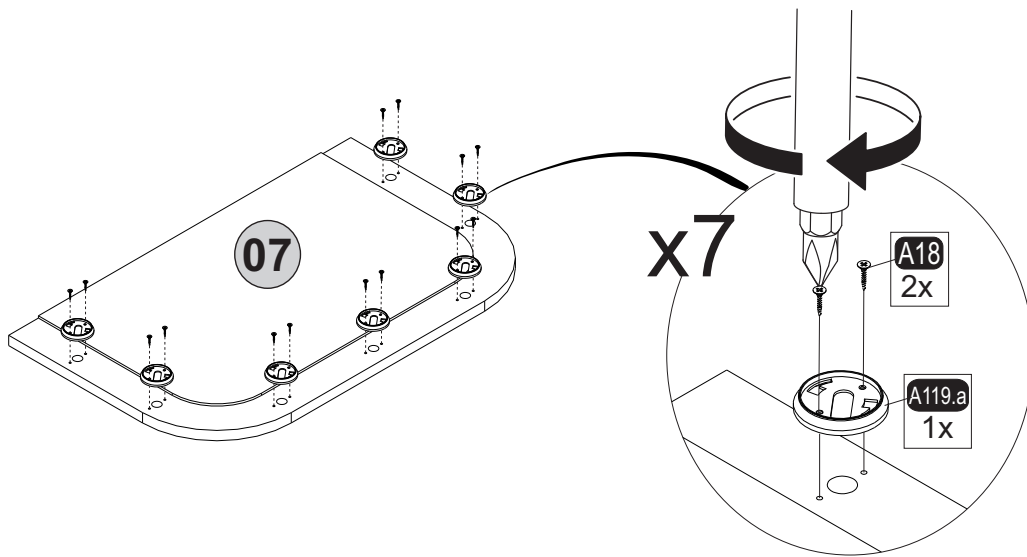
16



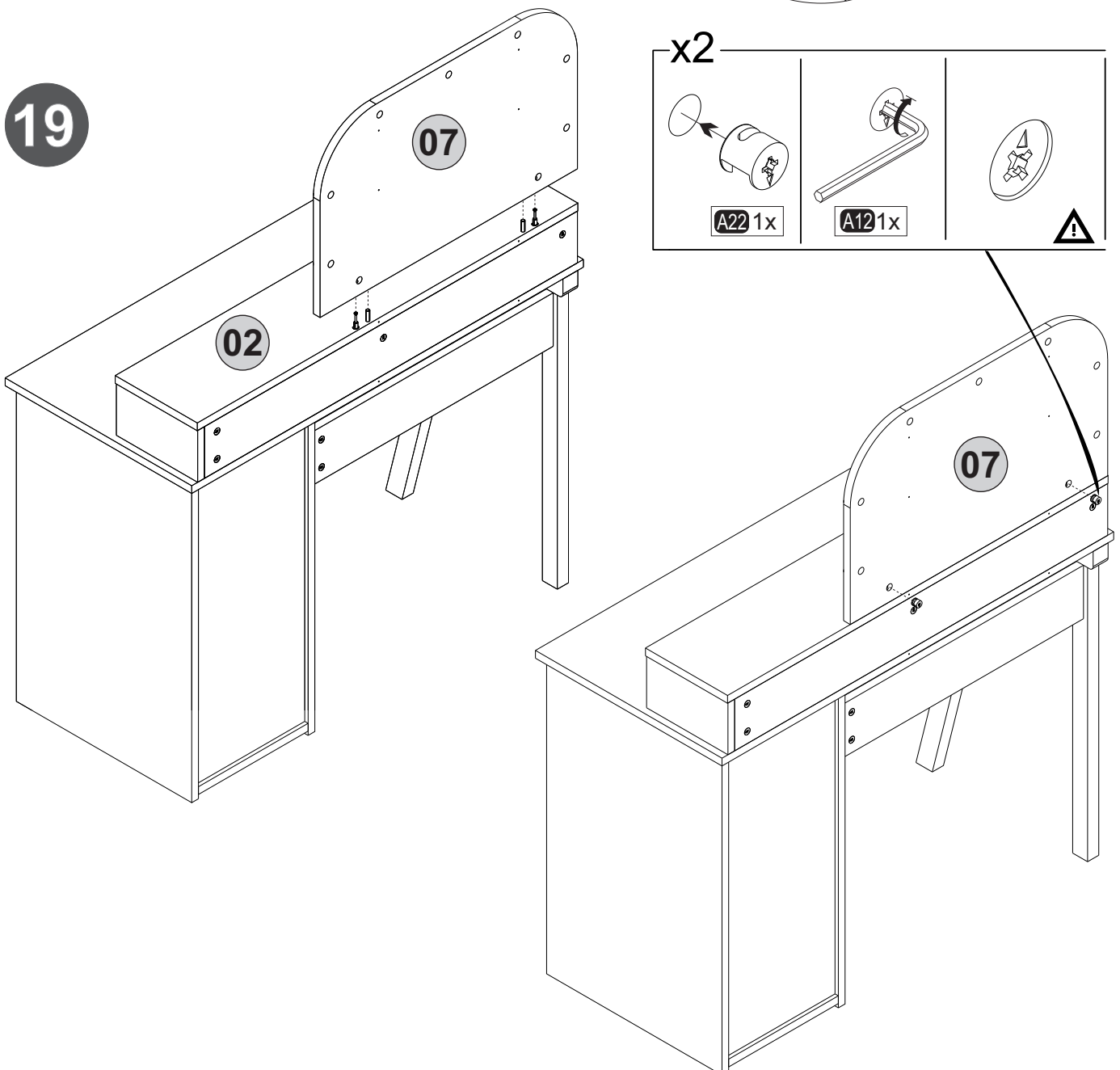
17



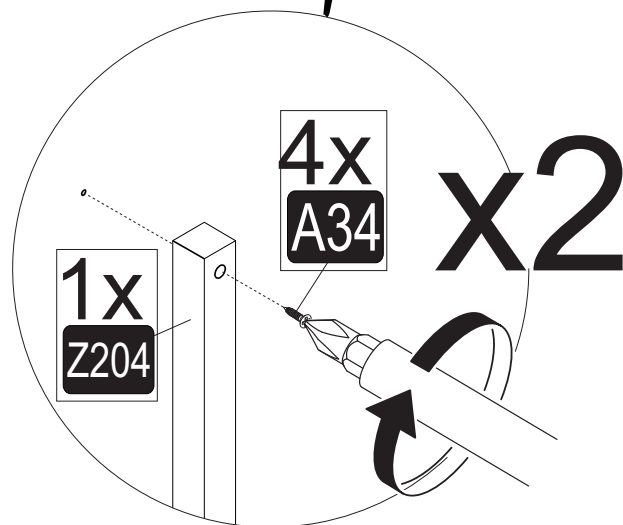
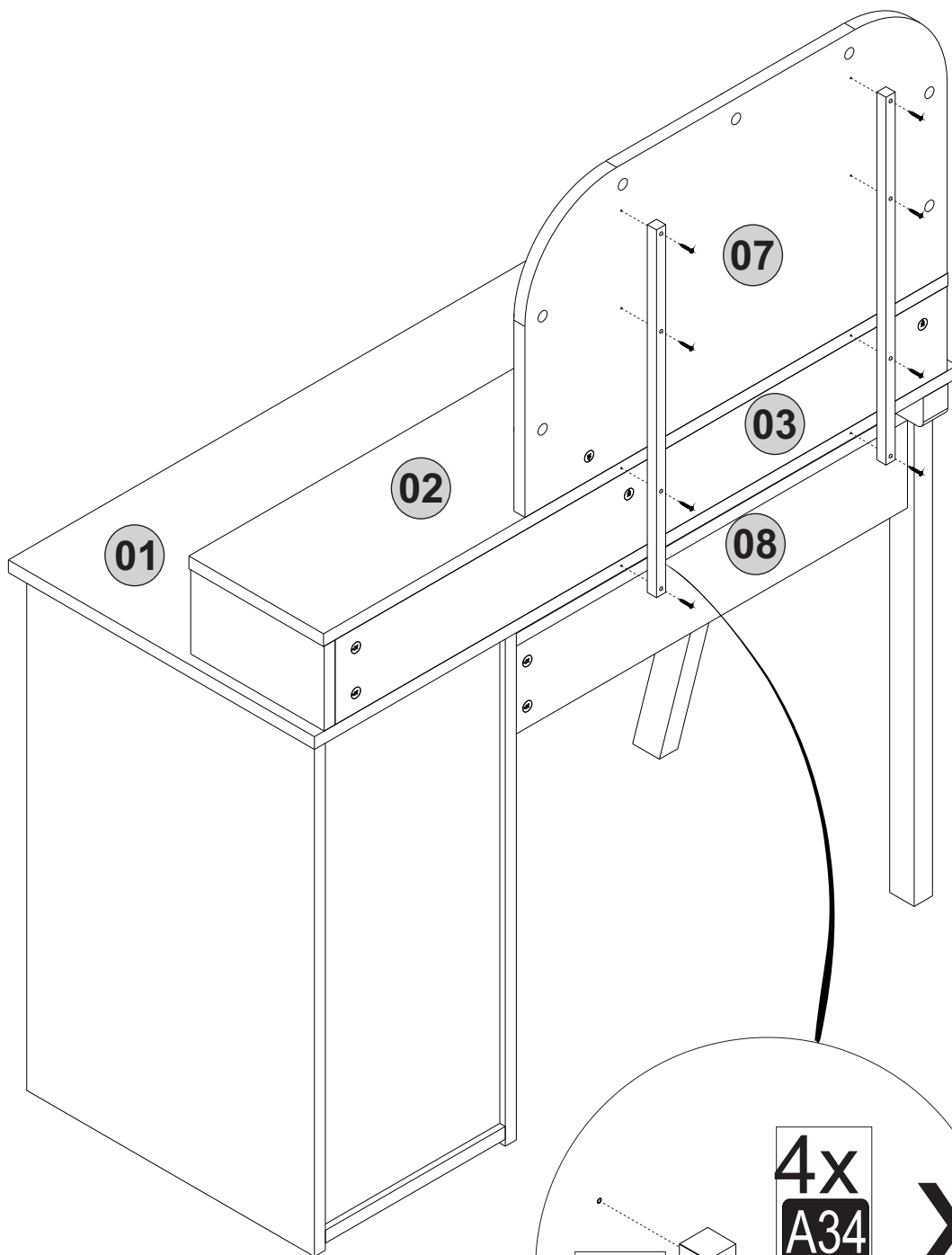
18



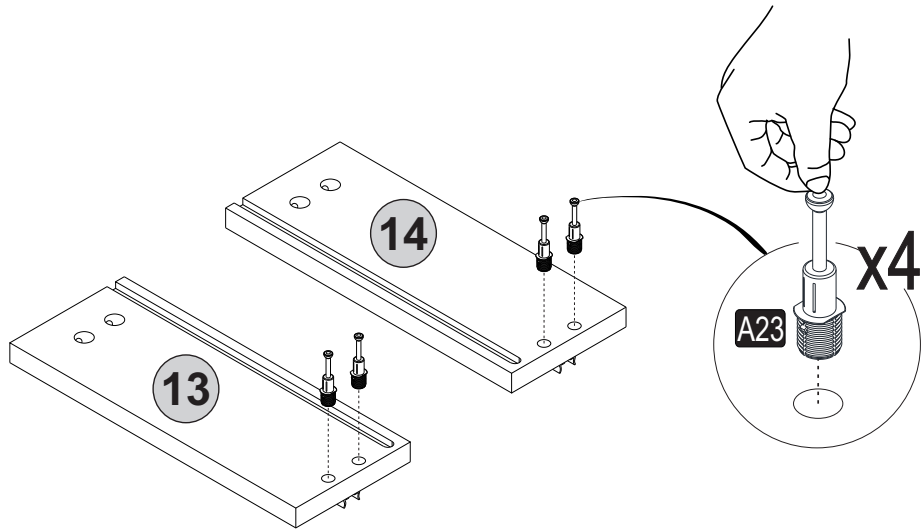
19



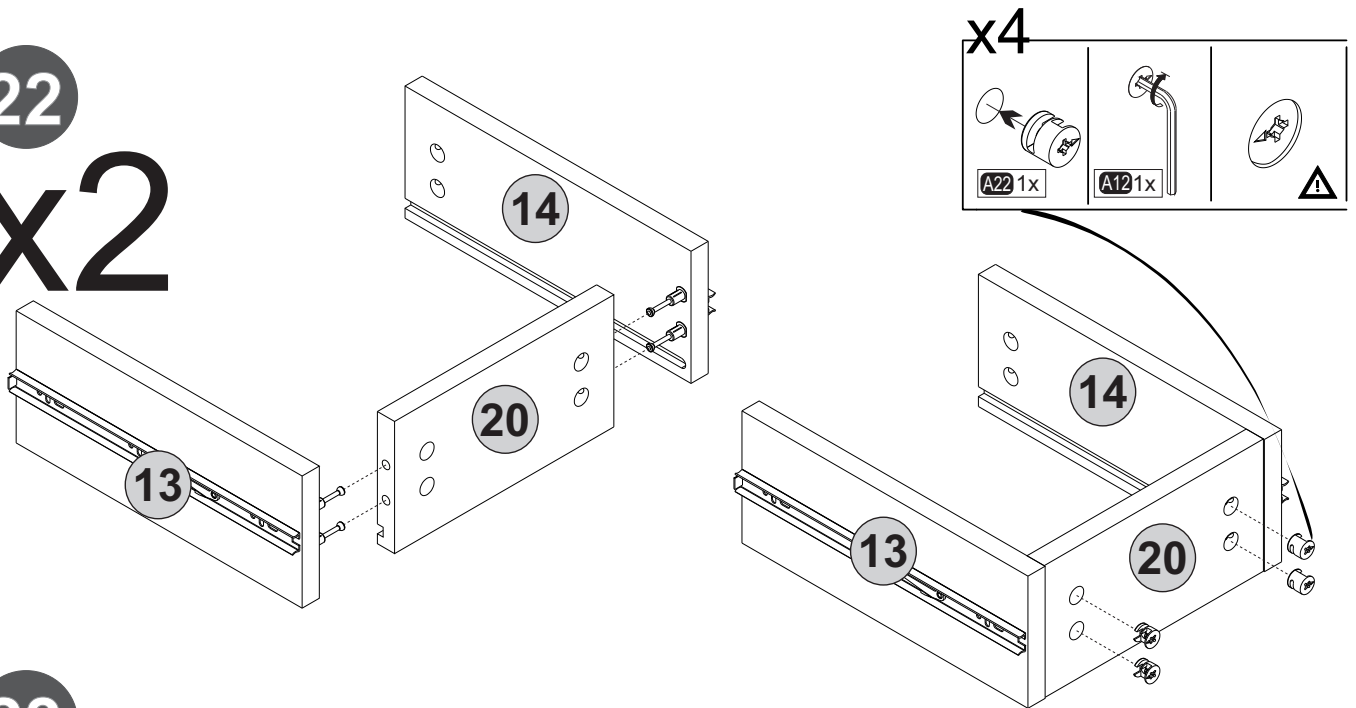
20



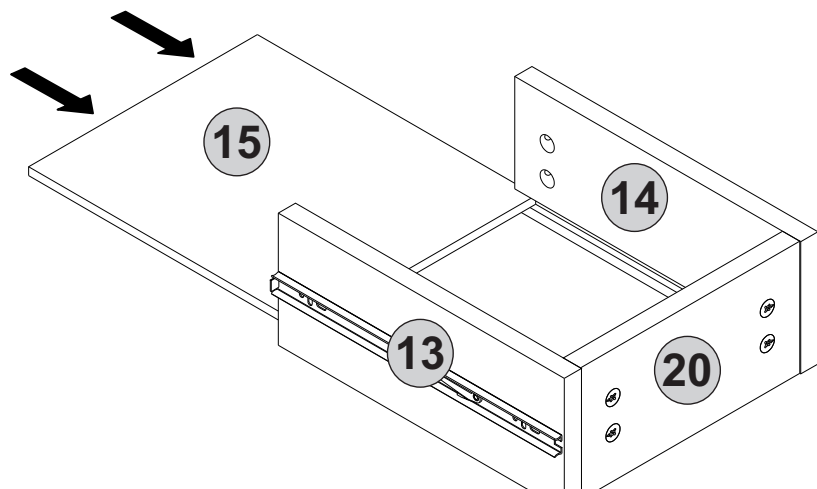
21  
x2



22  
x2

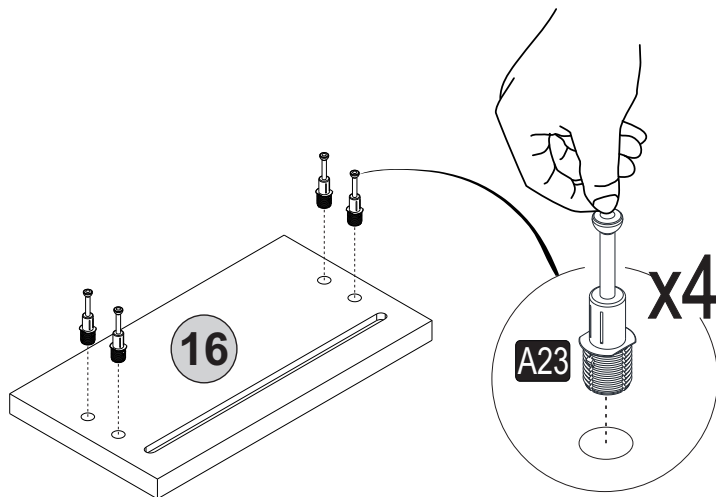


23  
x2



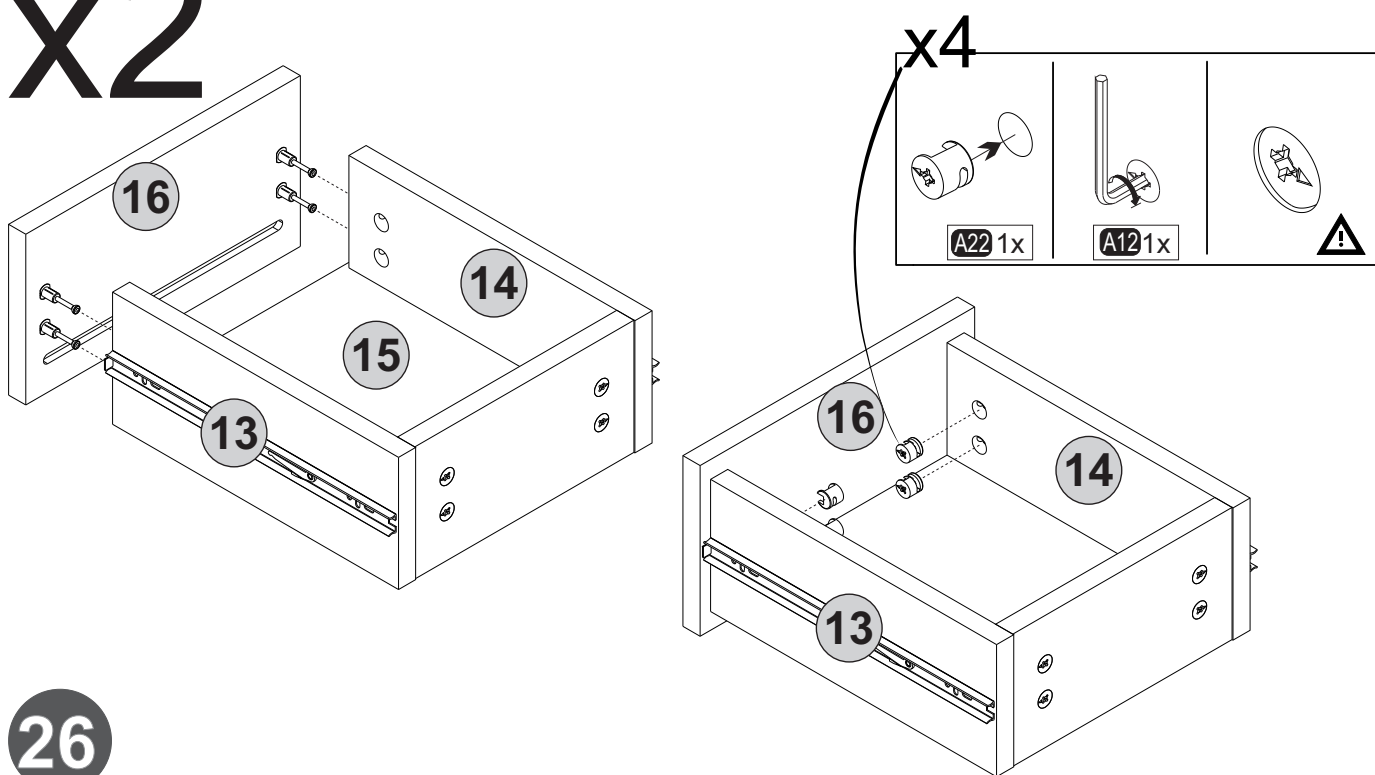
24

x2



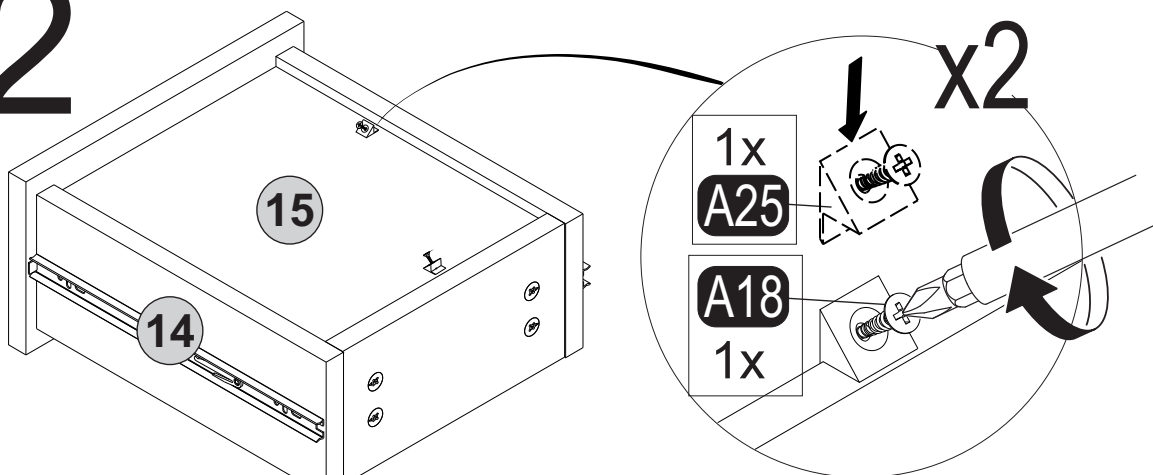
25

x2

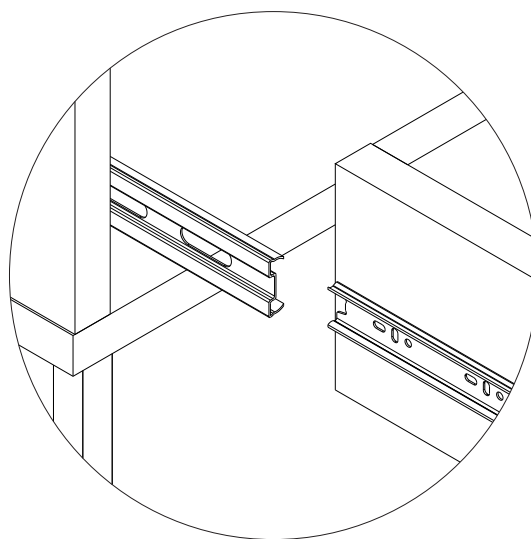
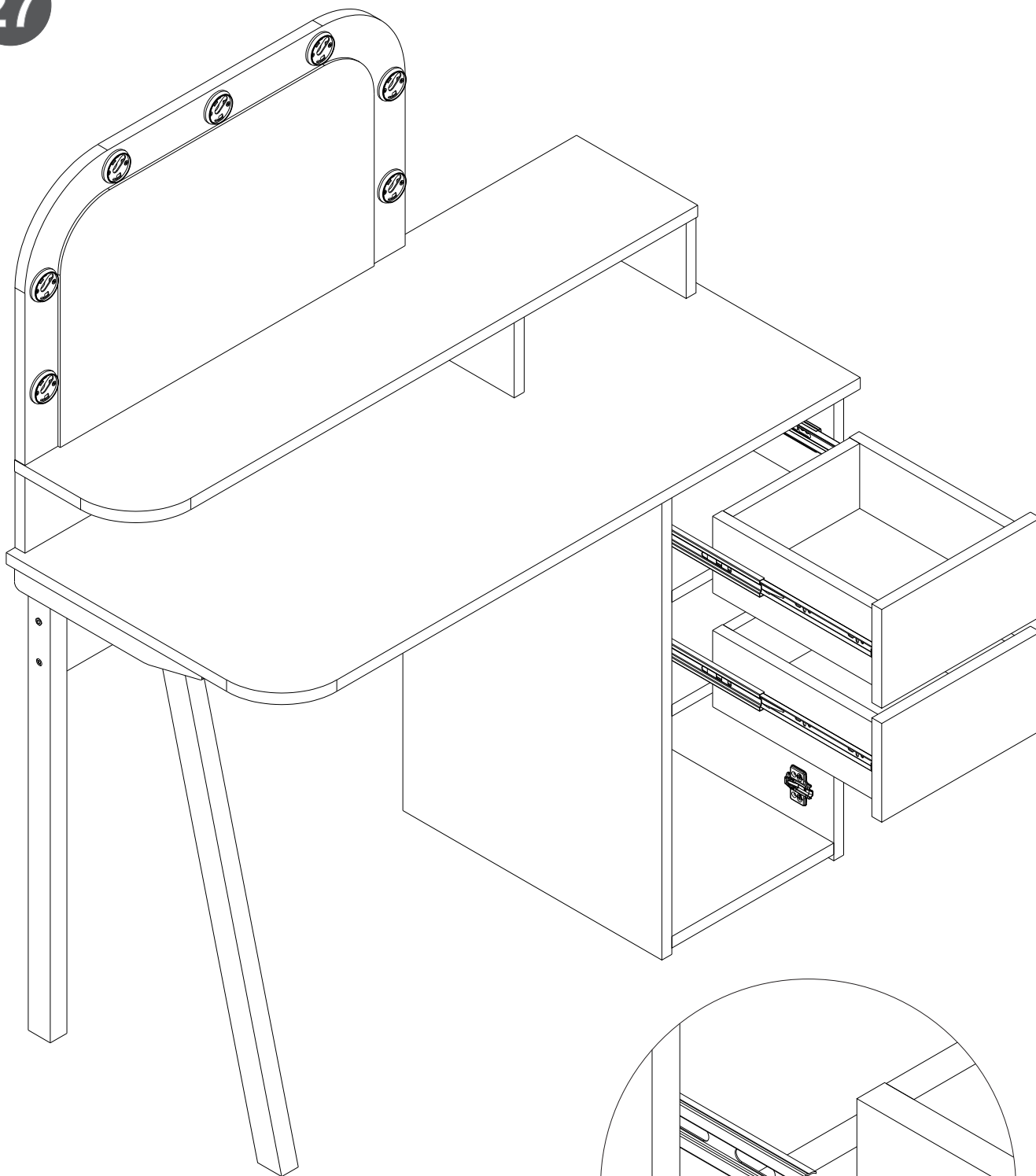


26

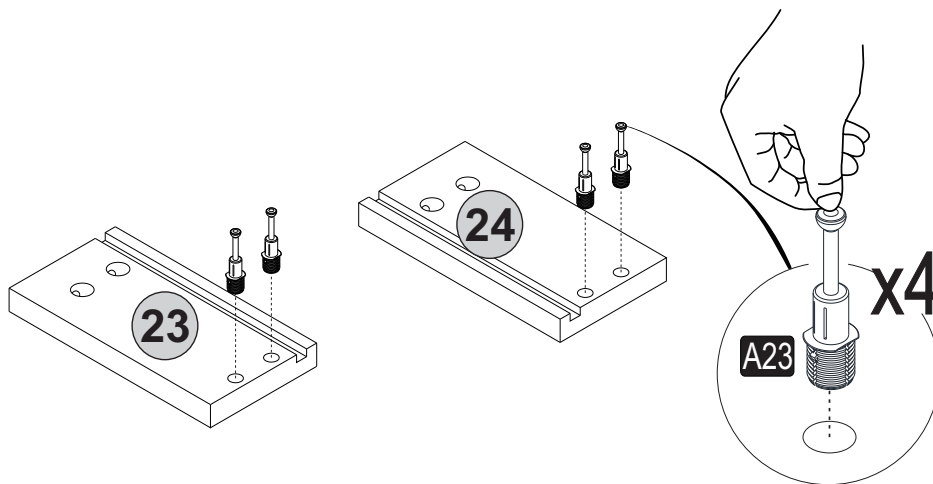
x2



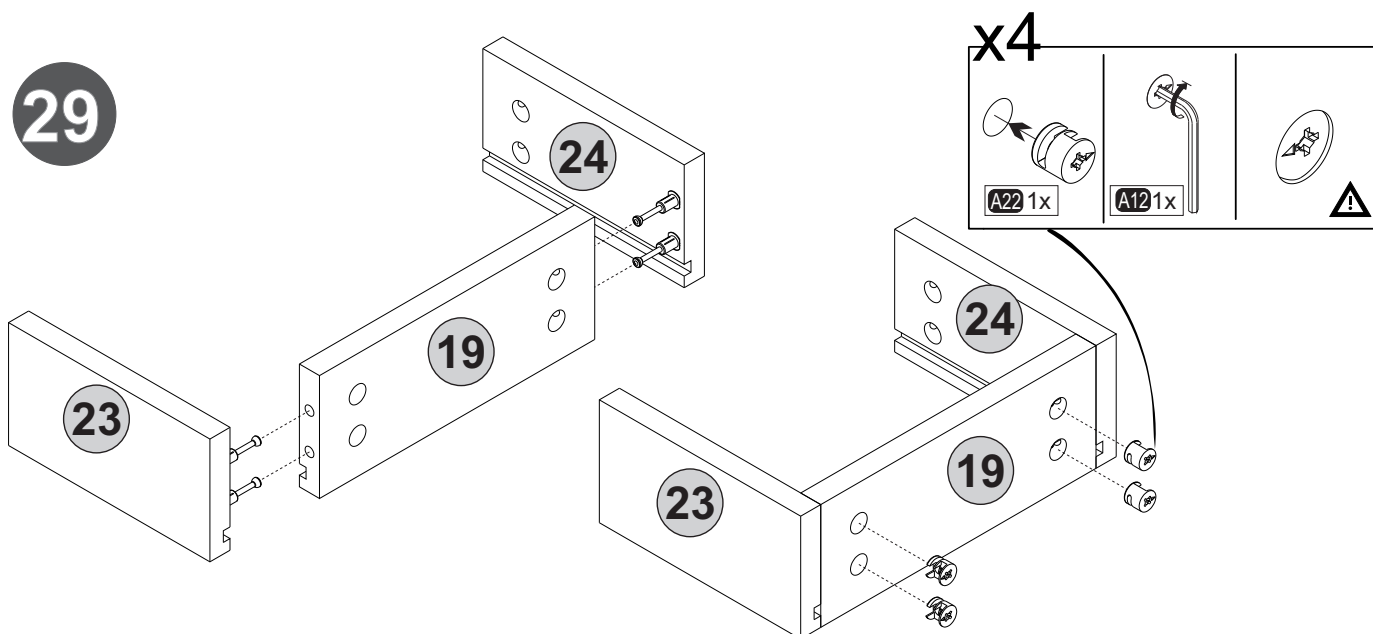
27



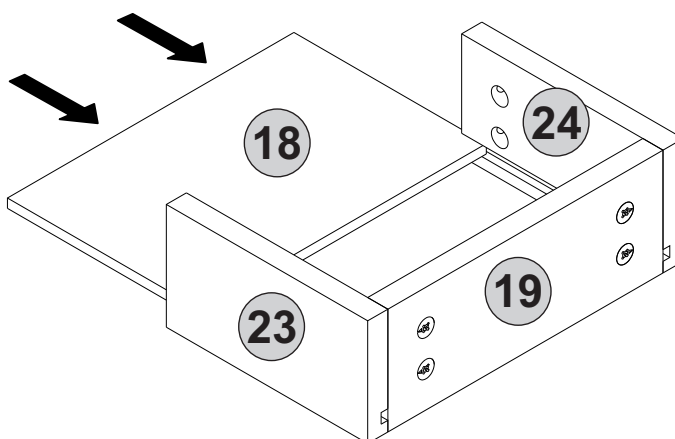
28



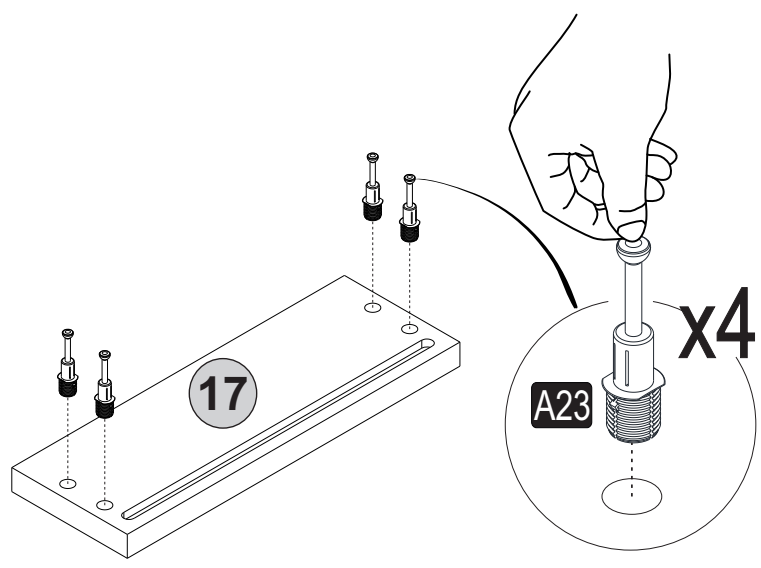
29



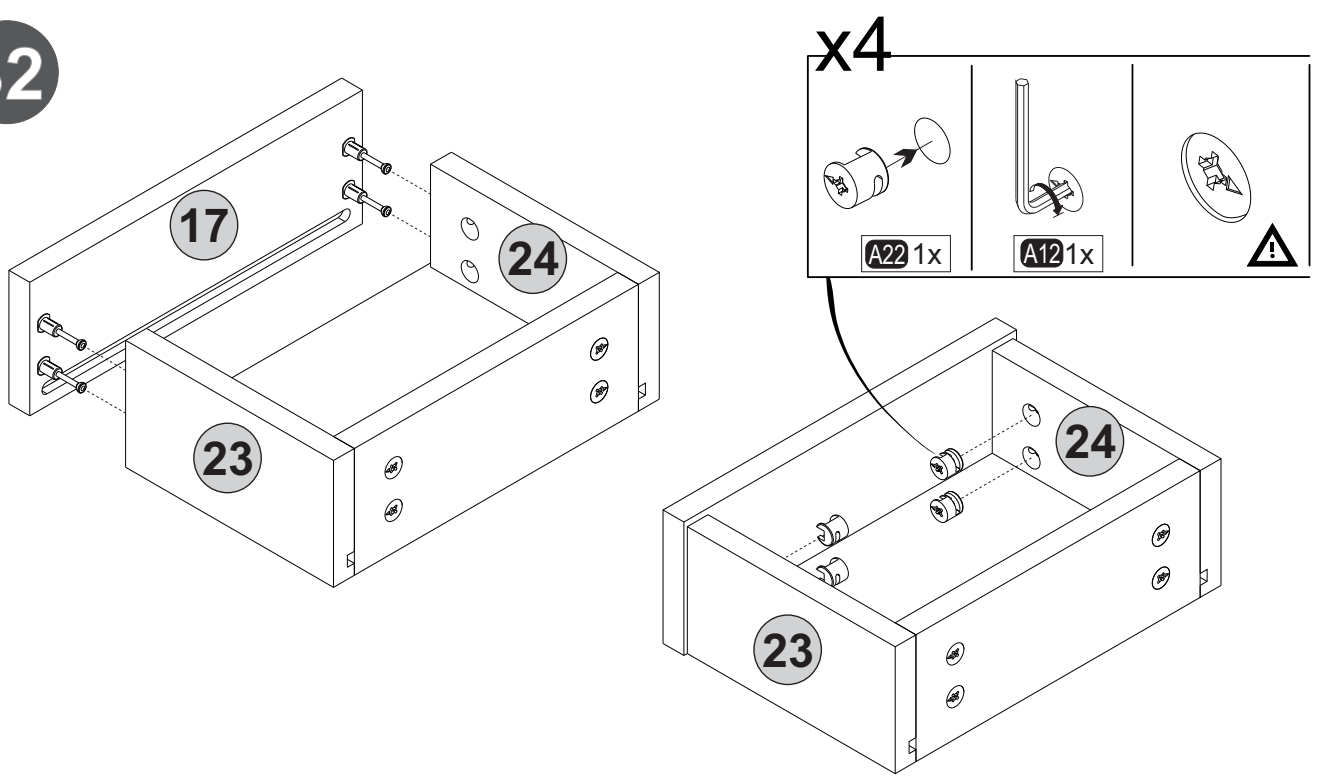
30



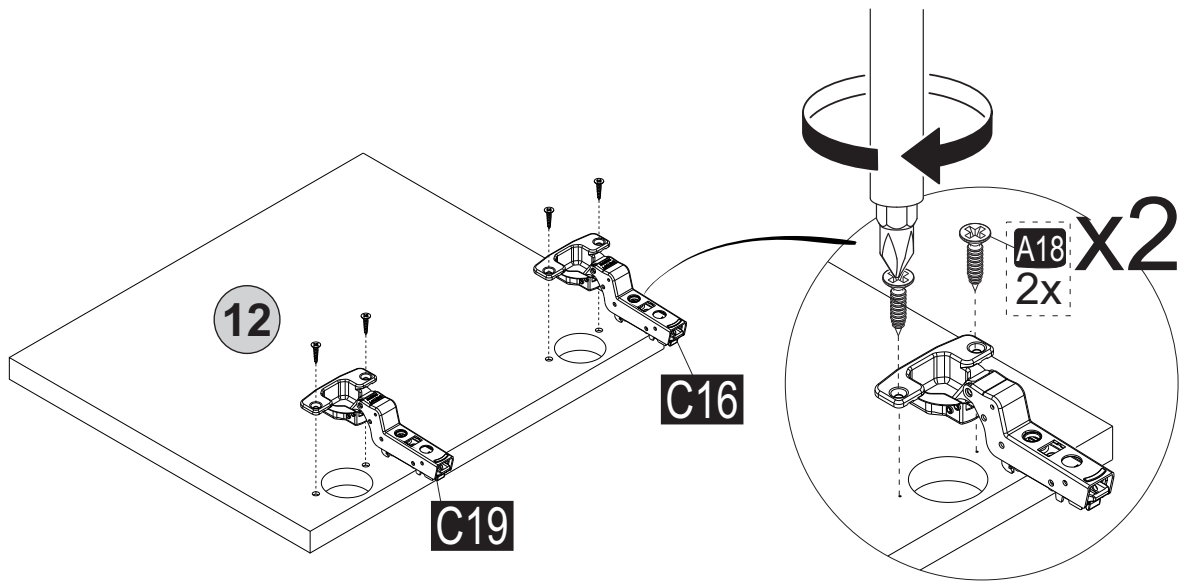
31



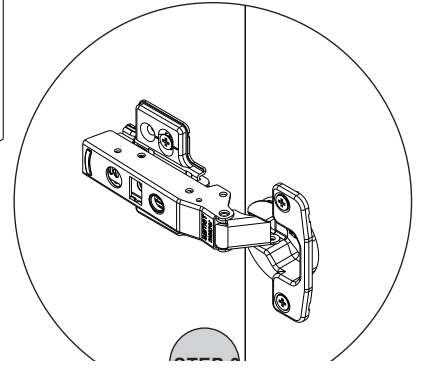
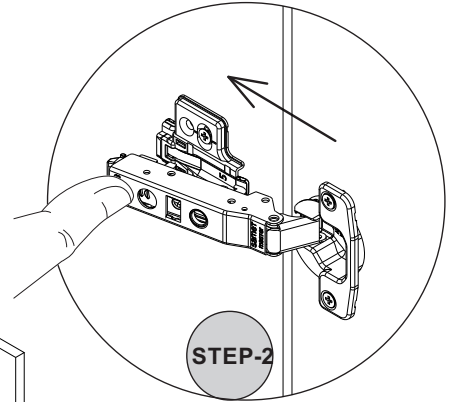
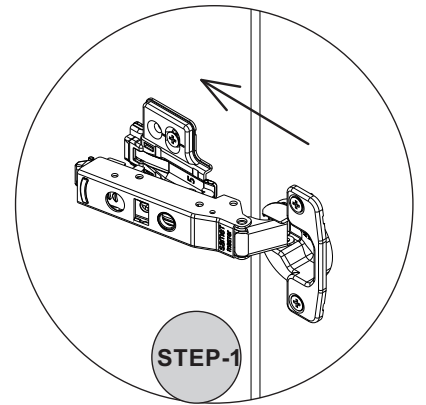
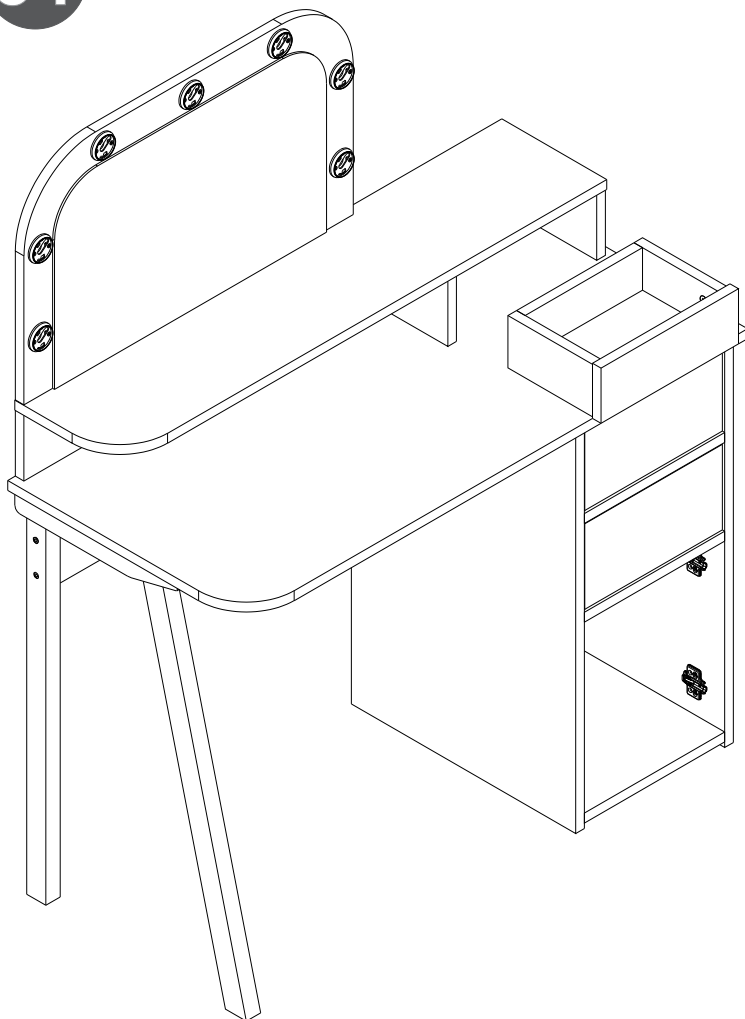
32



33



34



35

