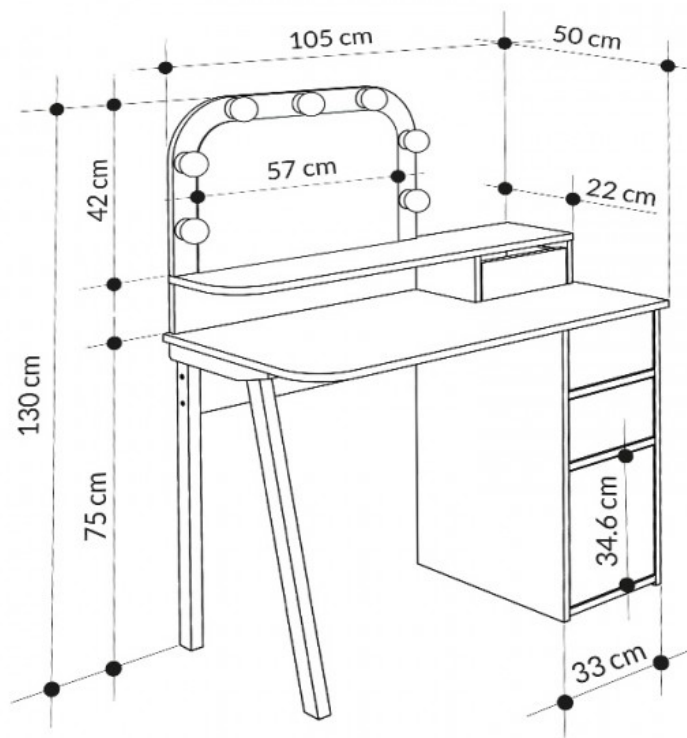
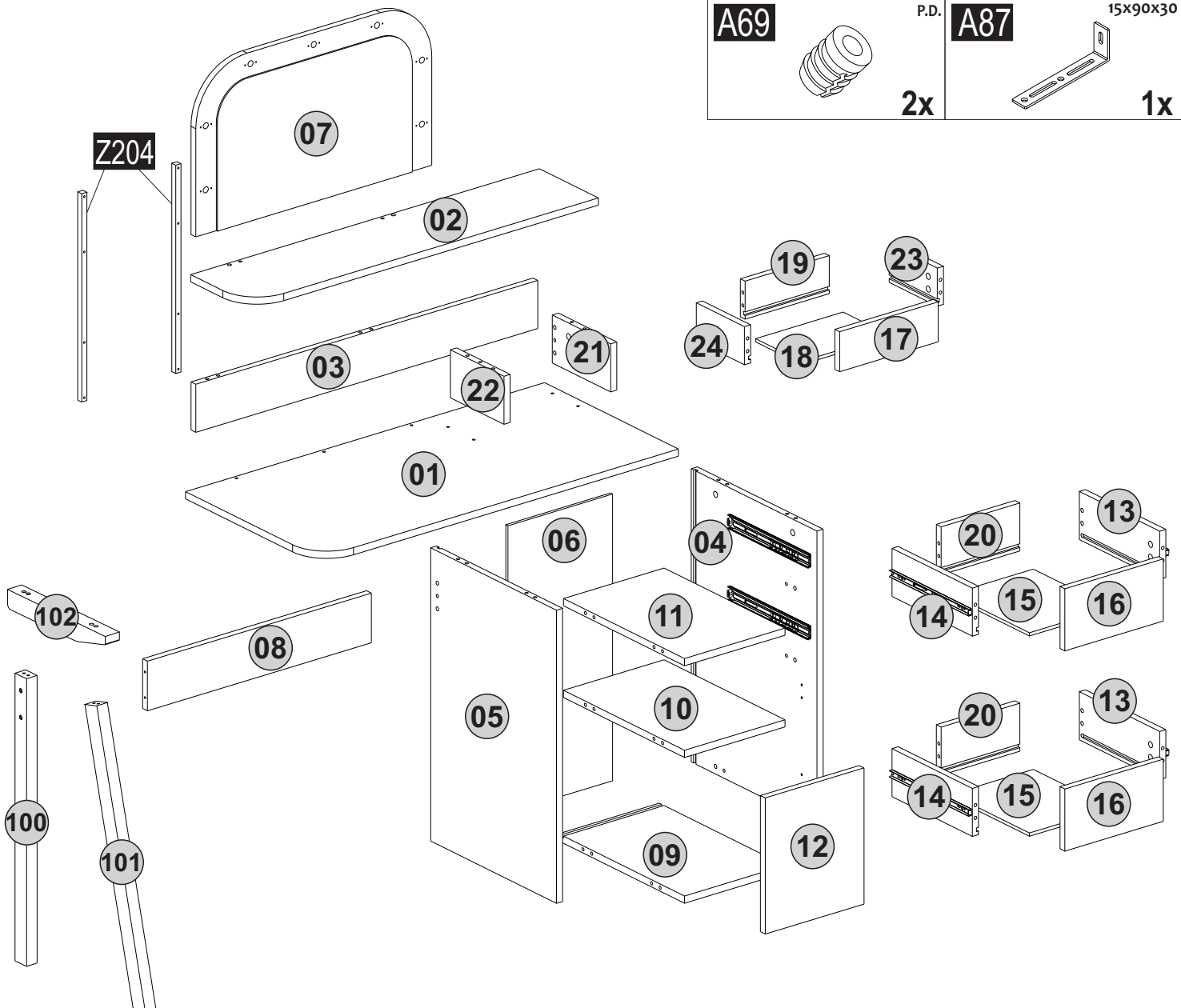


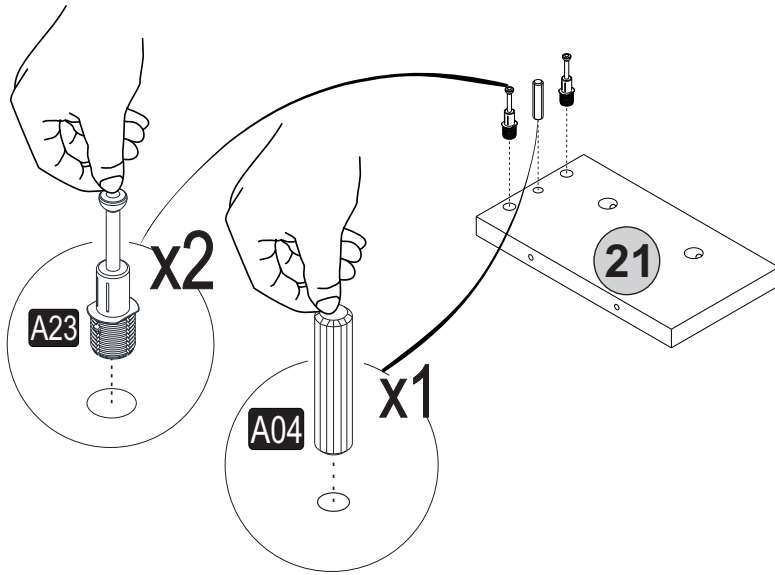
i GP037-0199,2



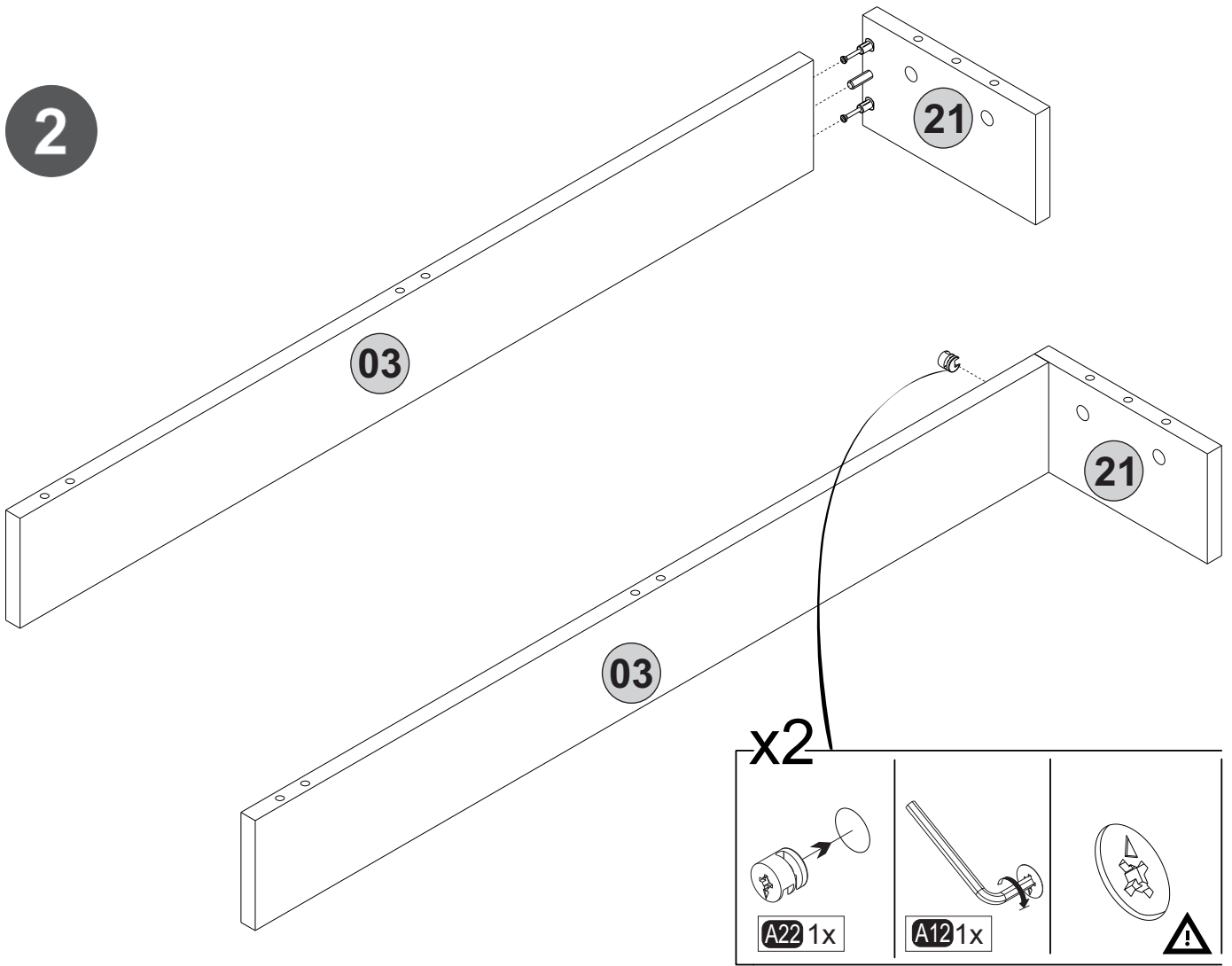
A04 Ø8 24x 	A06 18mm C1-56x C2-4x 	A12 Allen 1x 	A18 3,5x18 34x 	A22 Minifix k18 52x
A23 Minifix M10 52x 	A25 ARK.PL 6x 	A80 bas ac 1x 50mm 	B08 55mm 2x DbØ8 	A19 70kv 6x
A34 3,5x25 8x 	Z204 2x 	A13 50mm 8x 	A16 1x 	A17 4x50 1x
A119.a 7x 	A119.b 7x 	C20 Mtk(S) 2x 	C16 Sdb(S) 1x 	C19 SdbF(S) 1x
		A69 P.D. 2x 	A87 15x90x30 1x 	



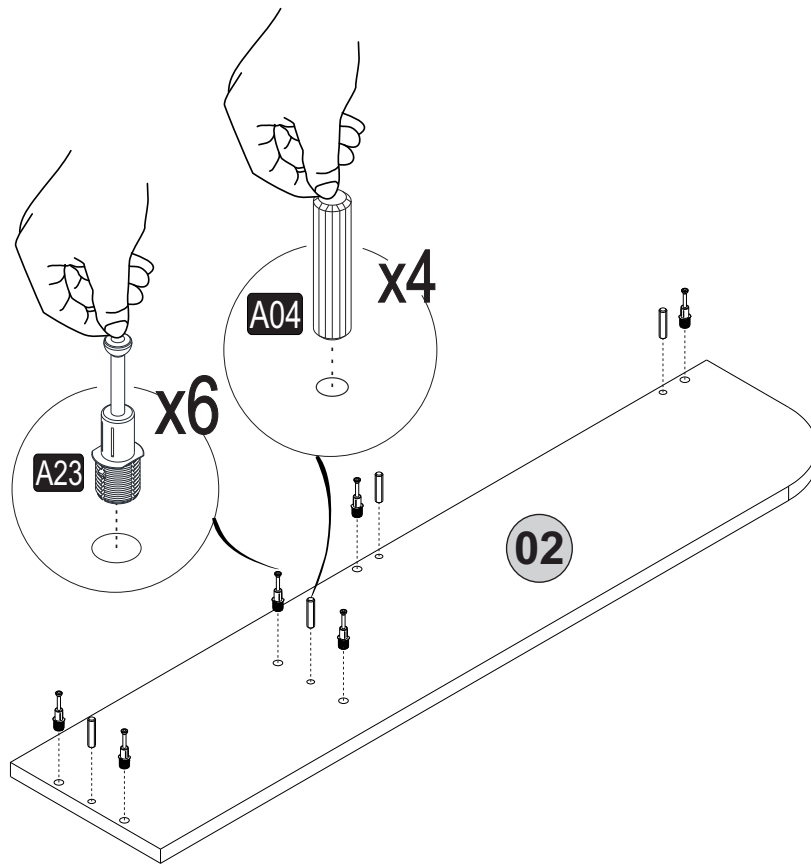
1



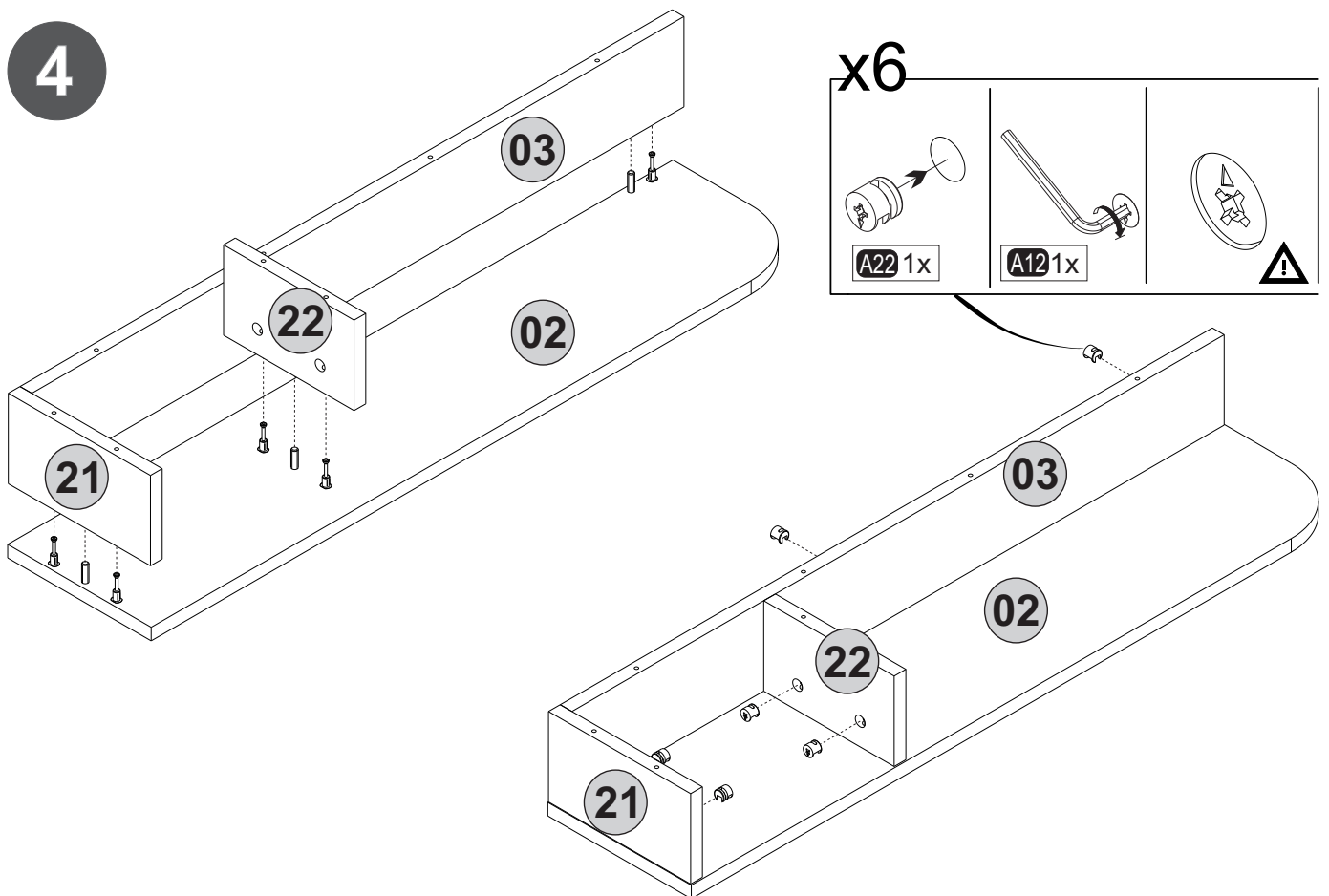
2



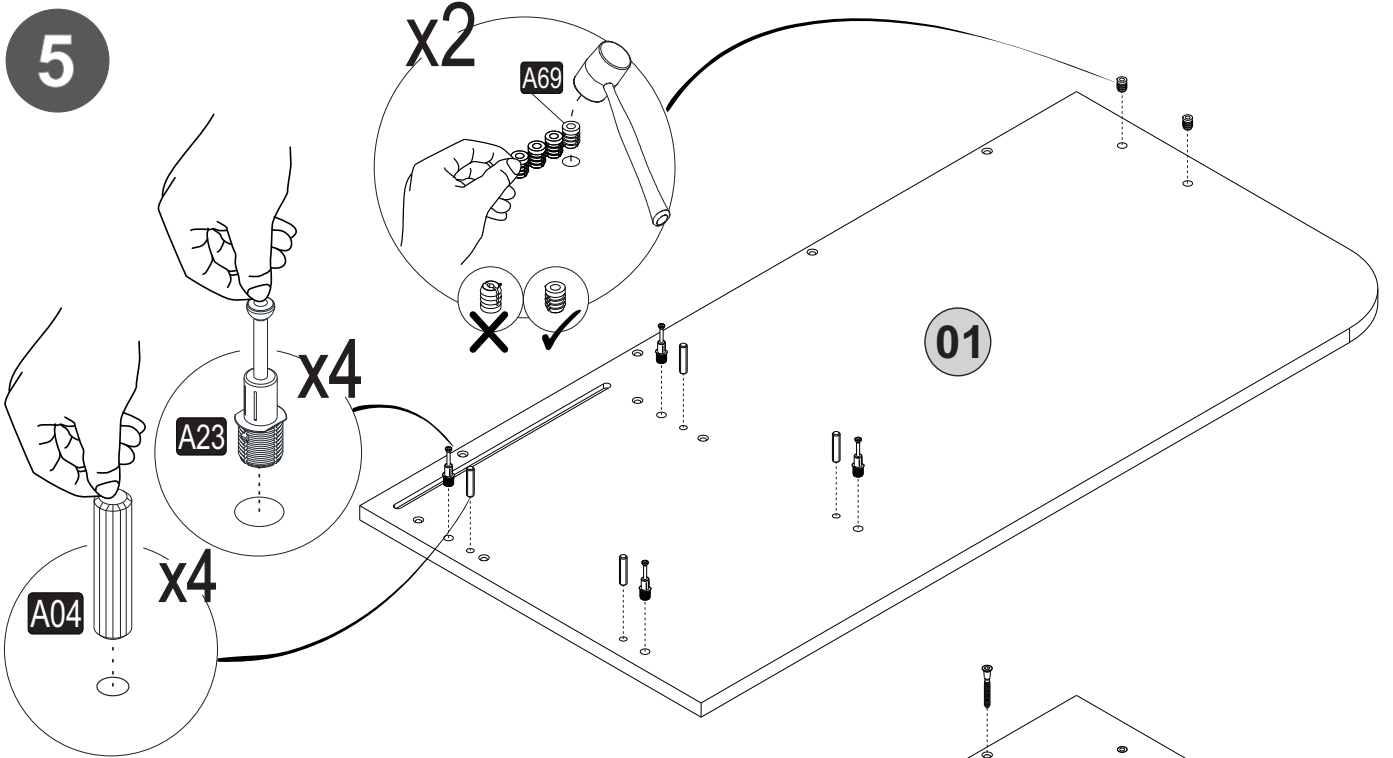
3



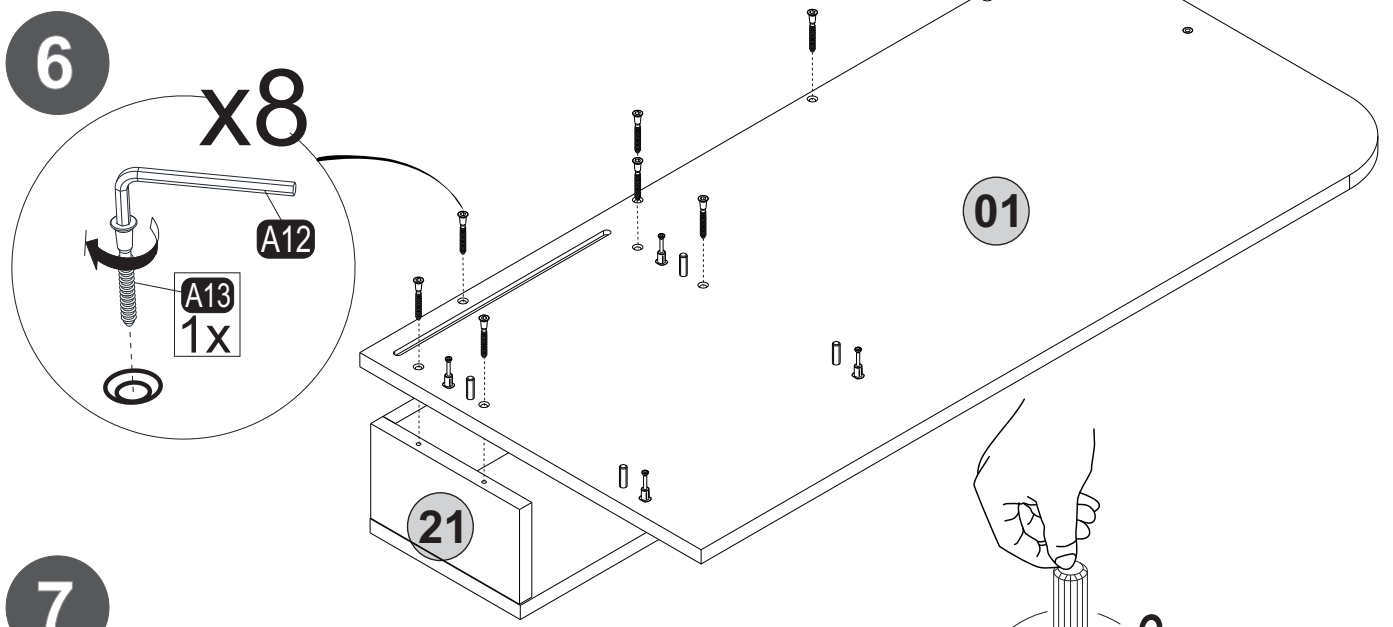
4



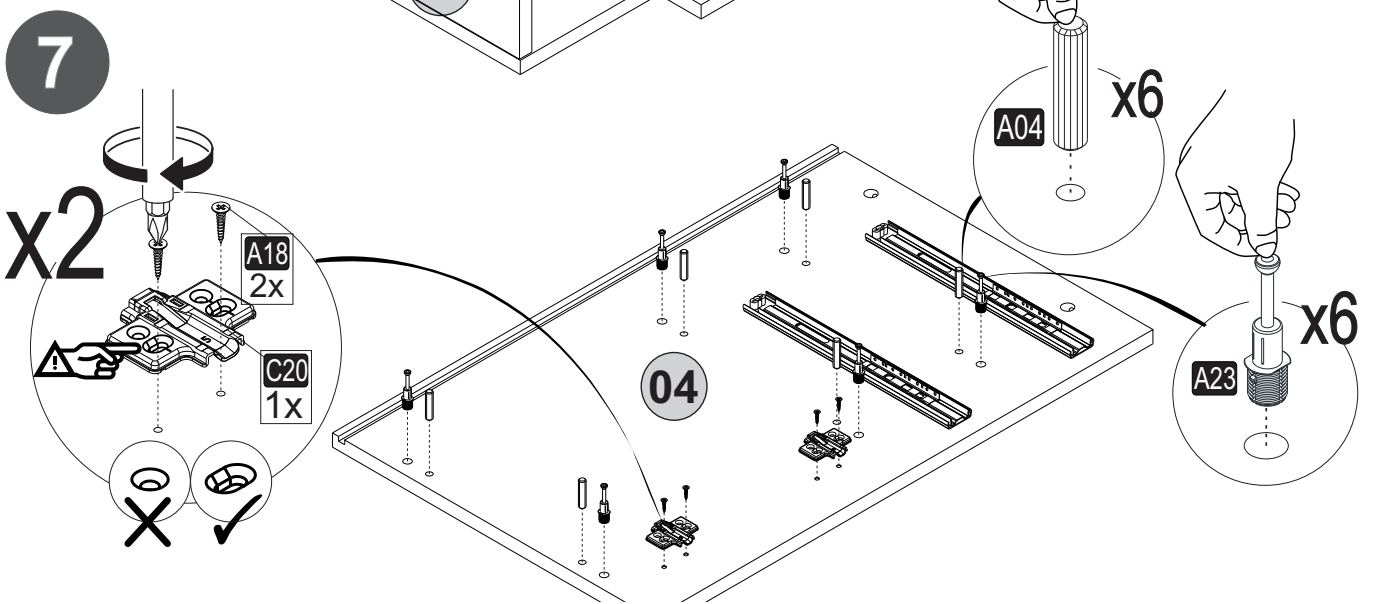
5



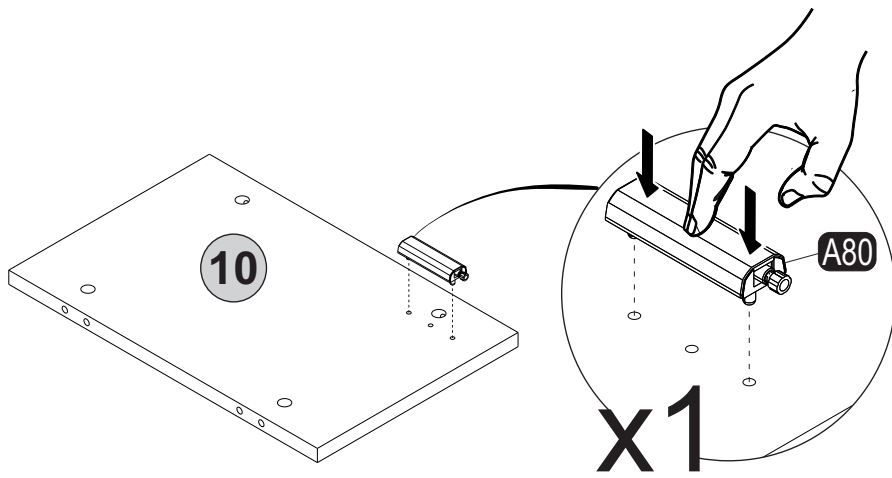
6



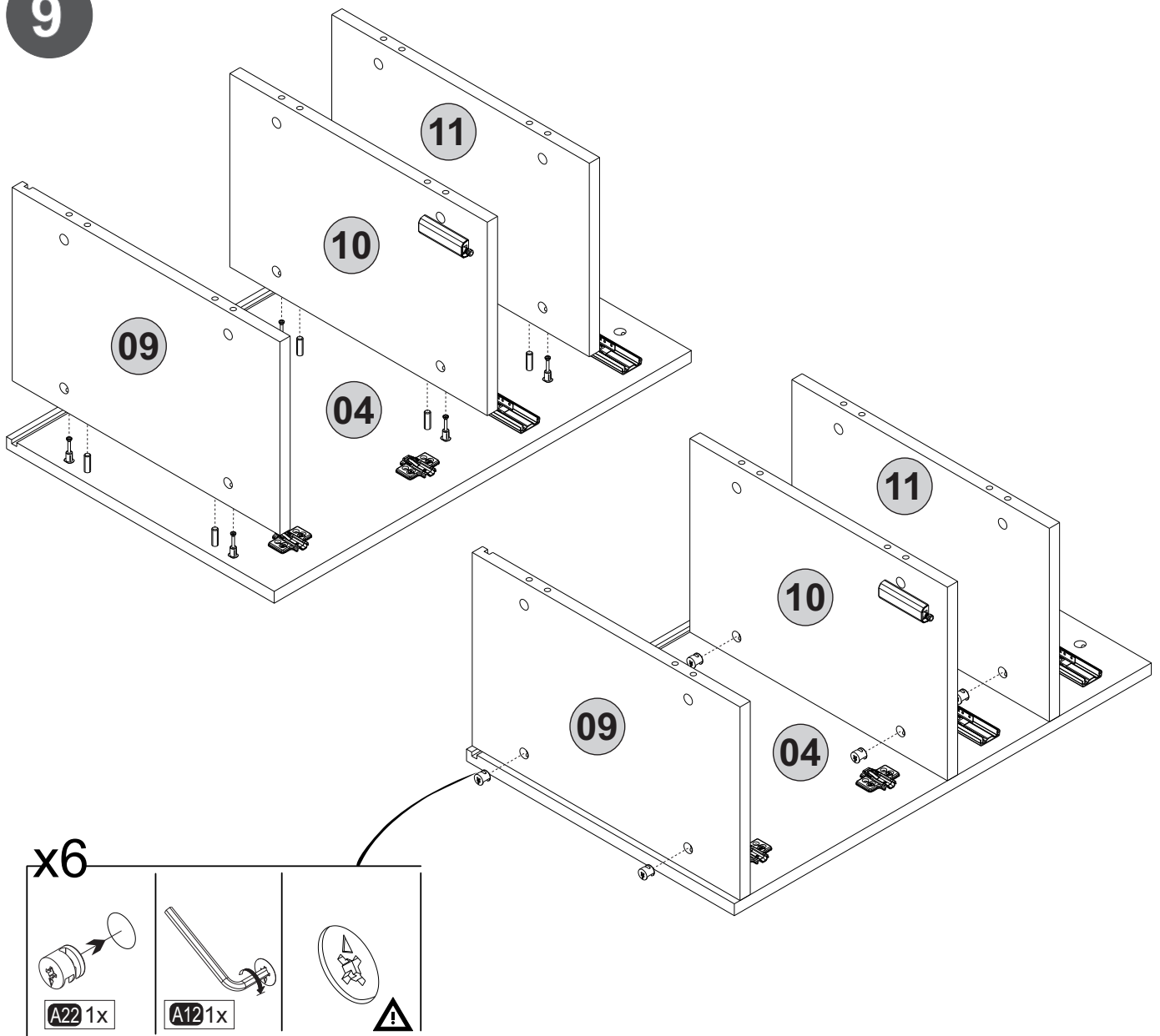
7



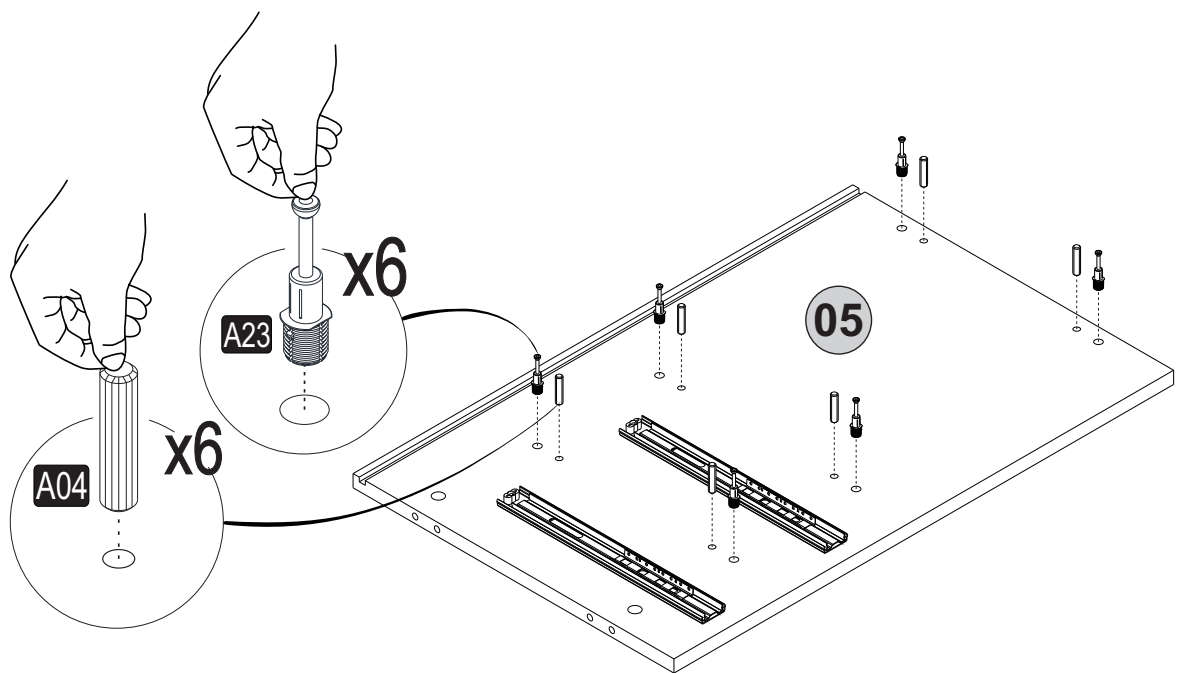
8



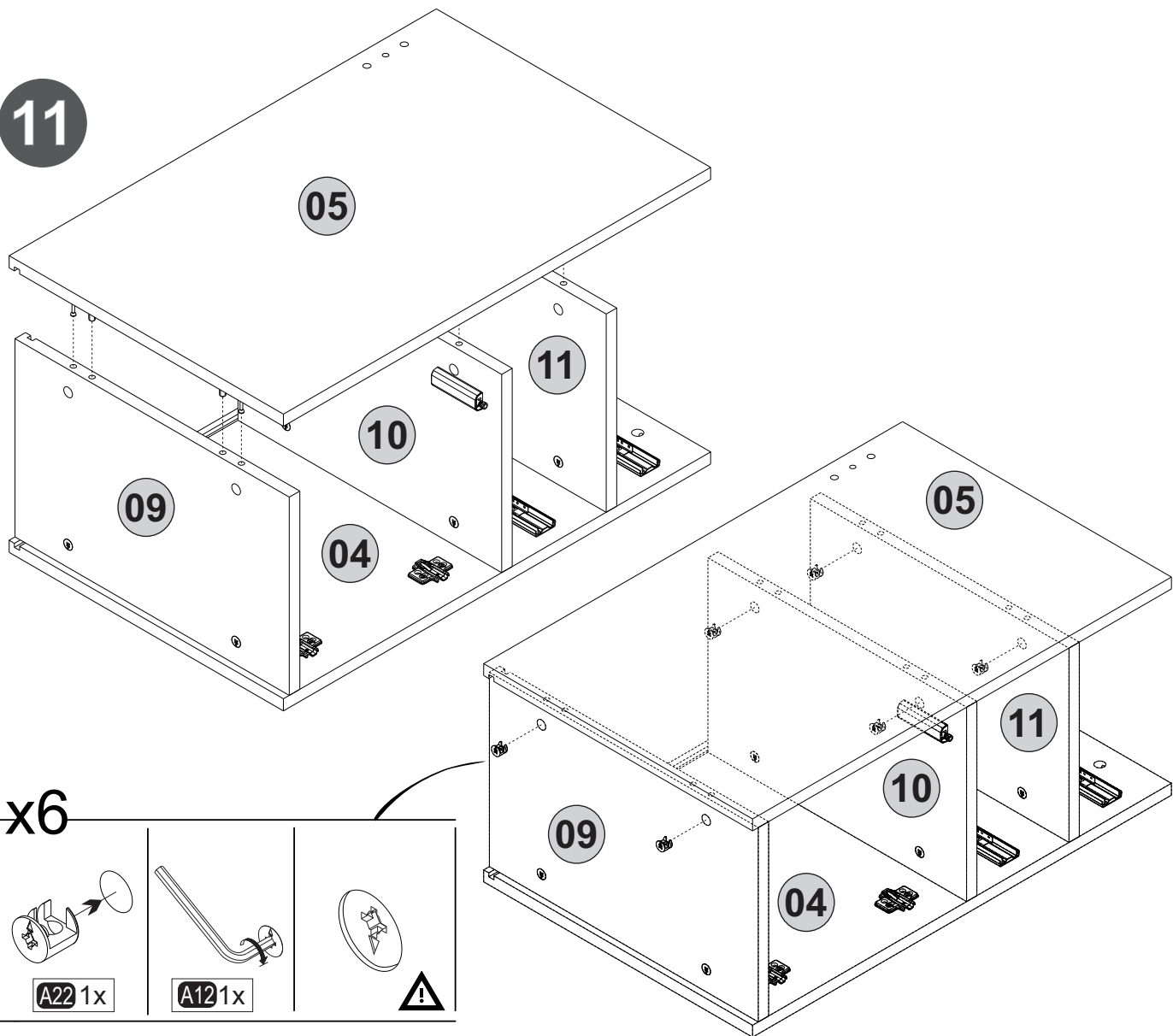
9



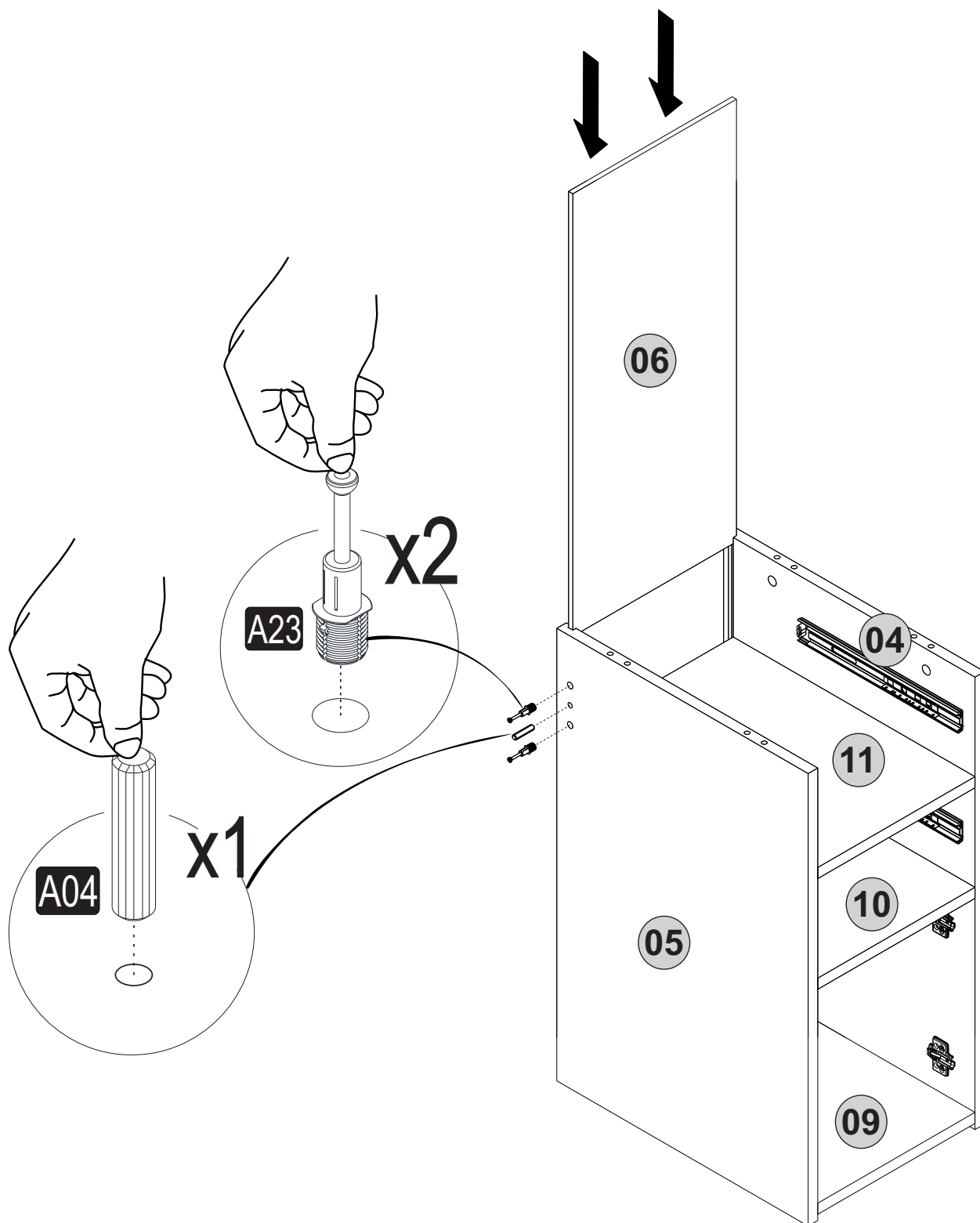
10



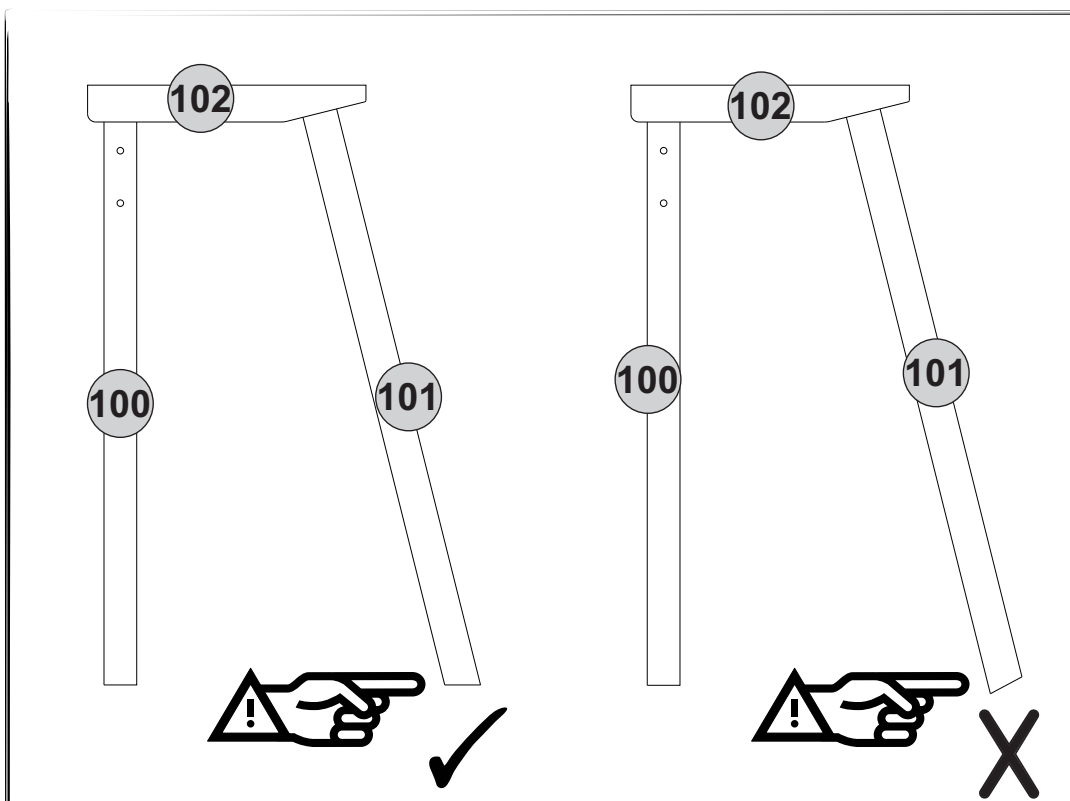
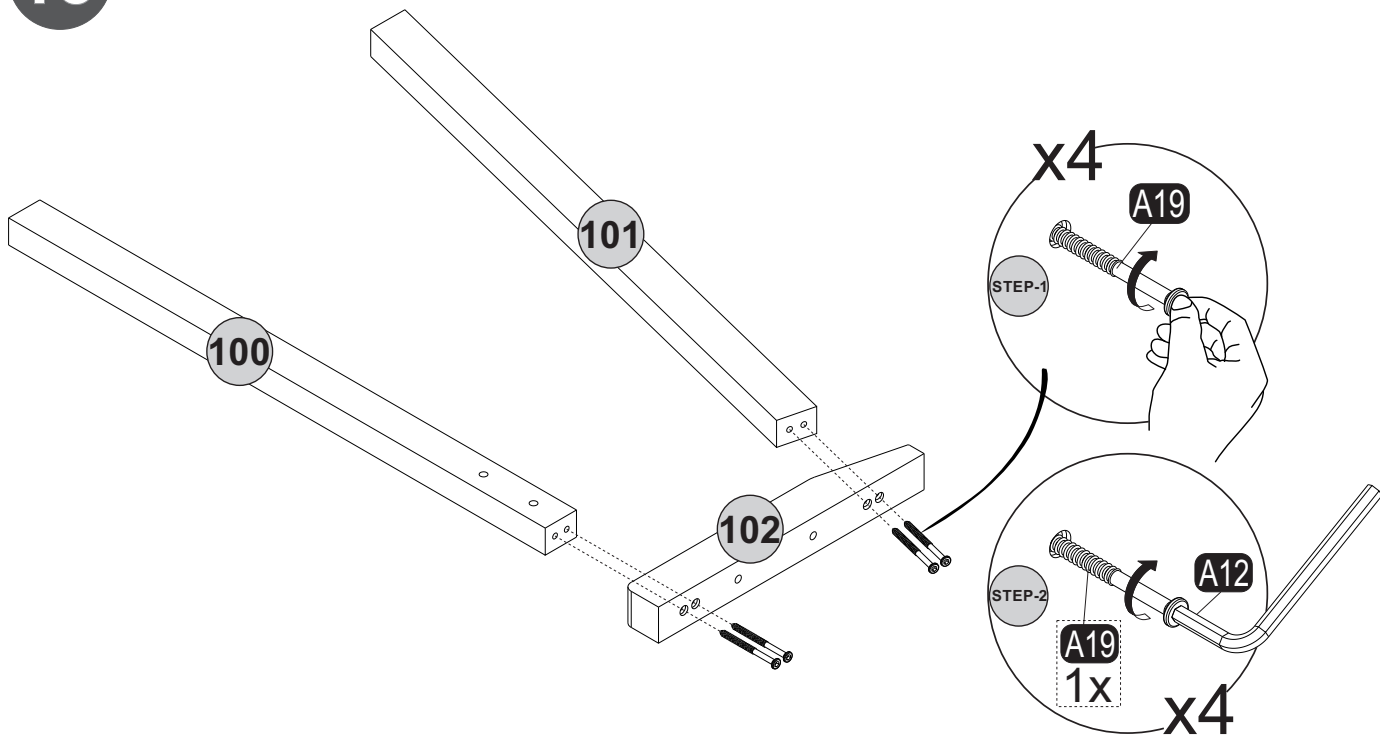
11



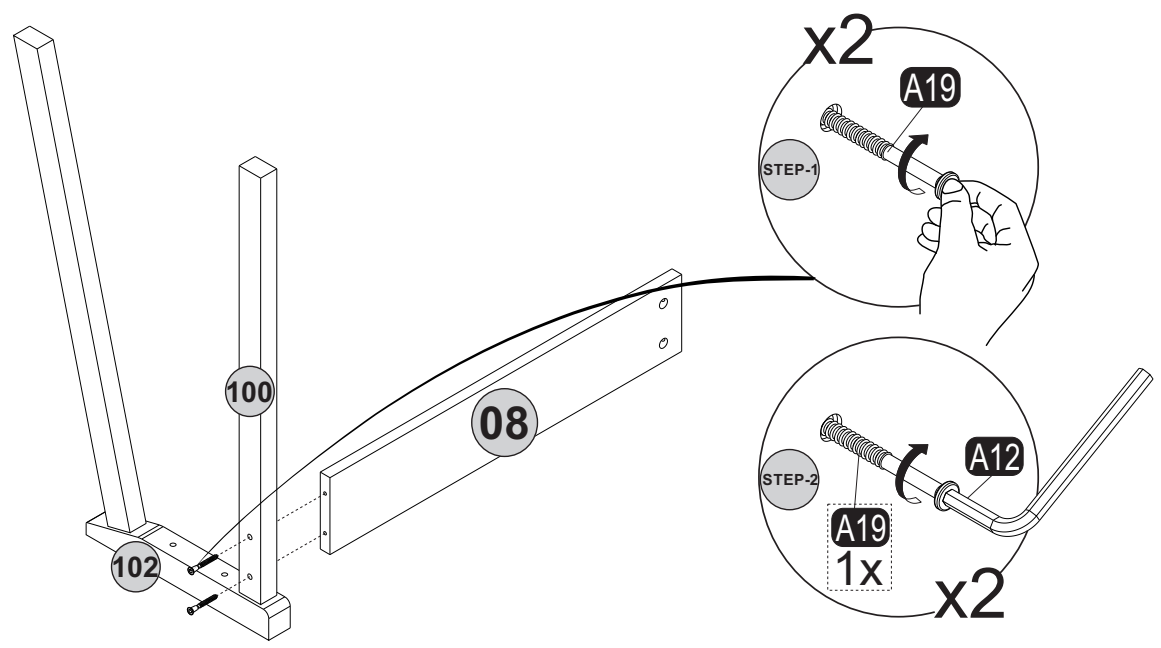
12



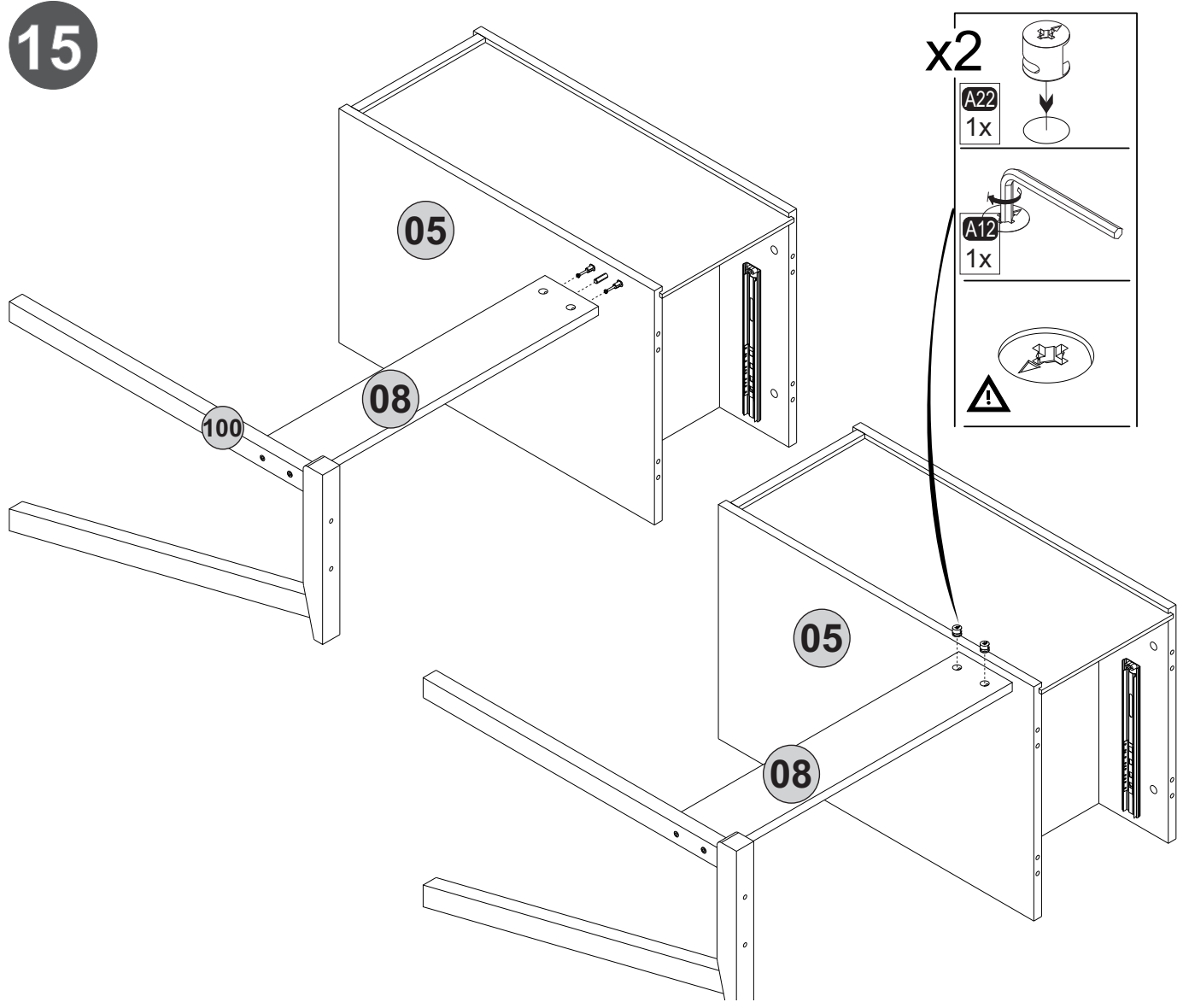
13



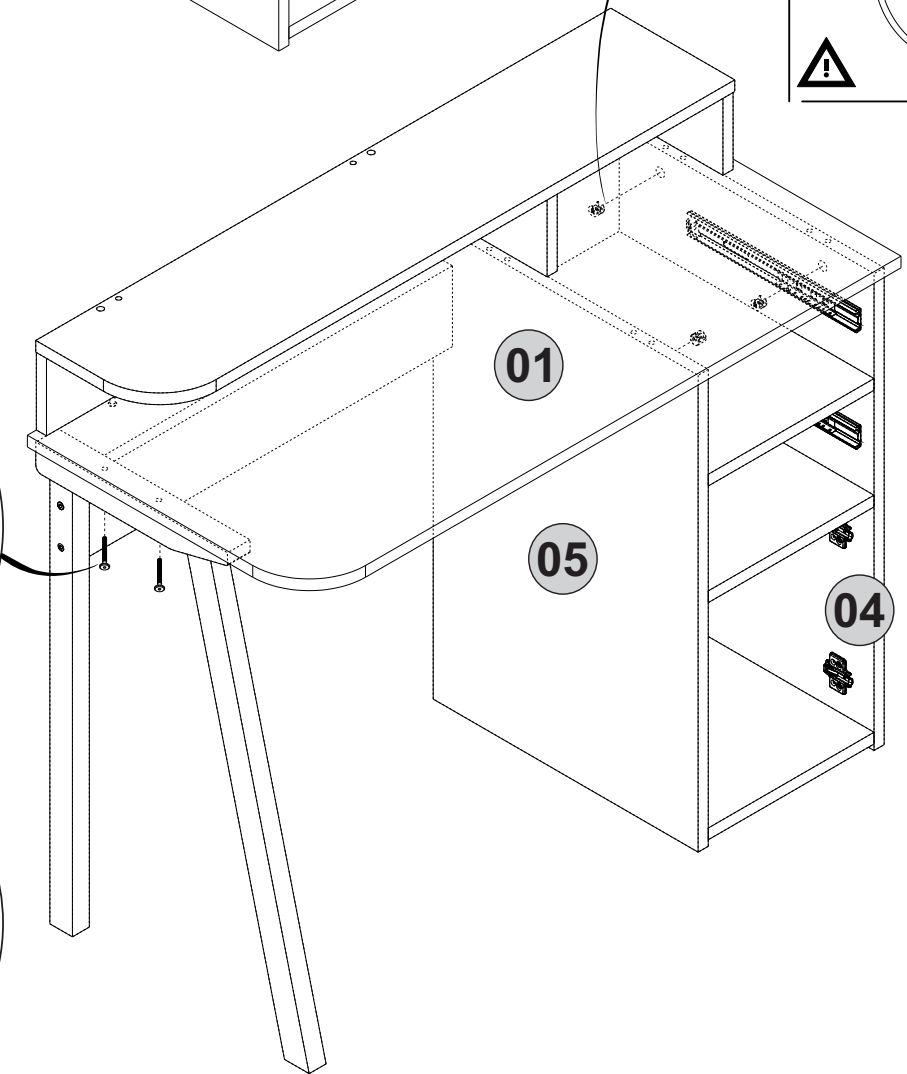
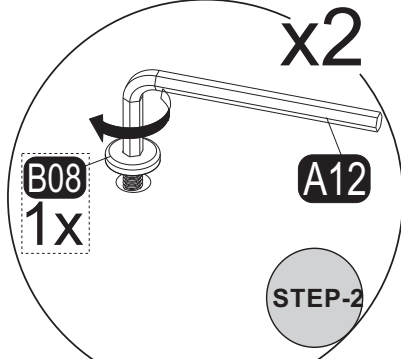
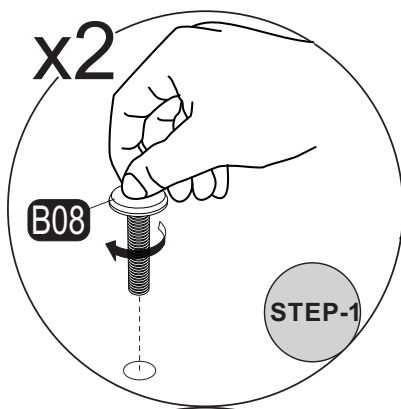
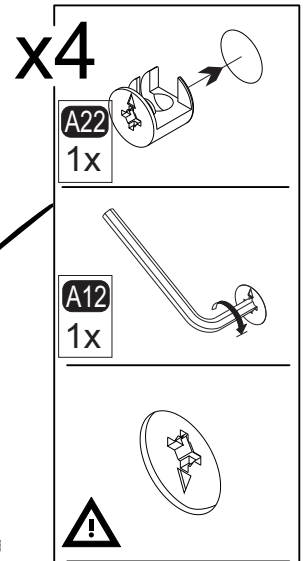
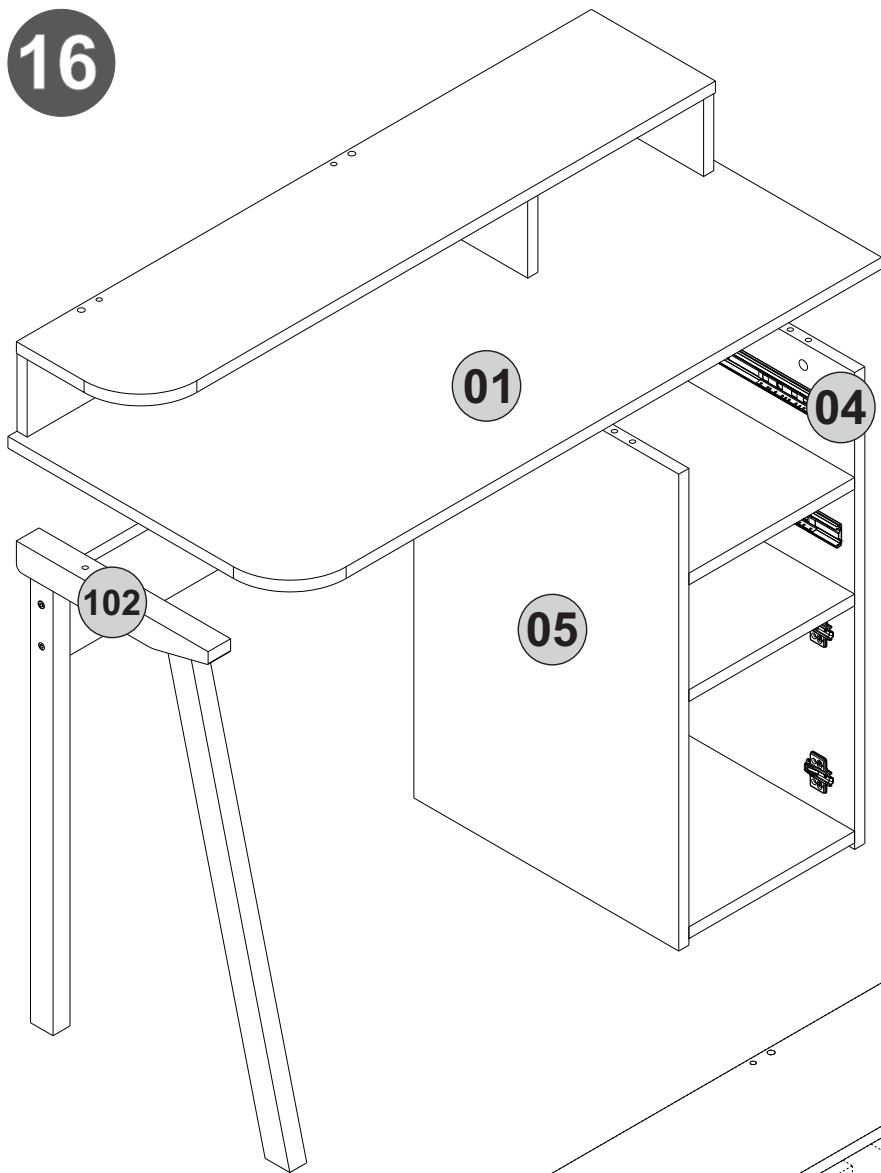
14



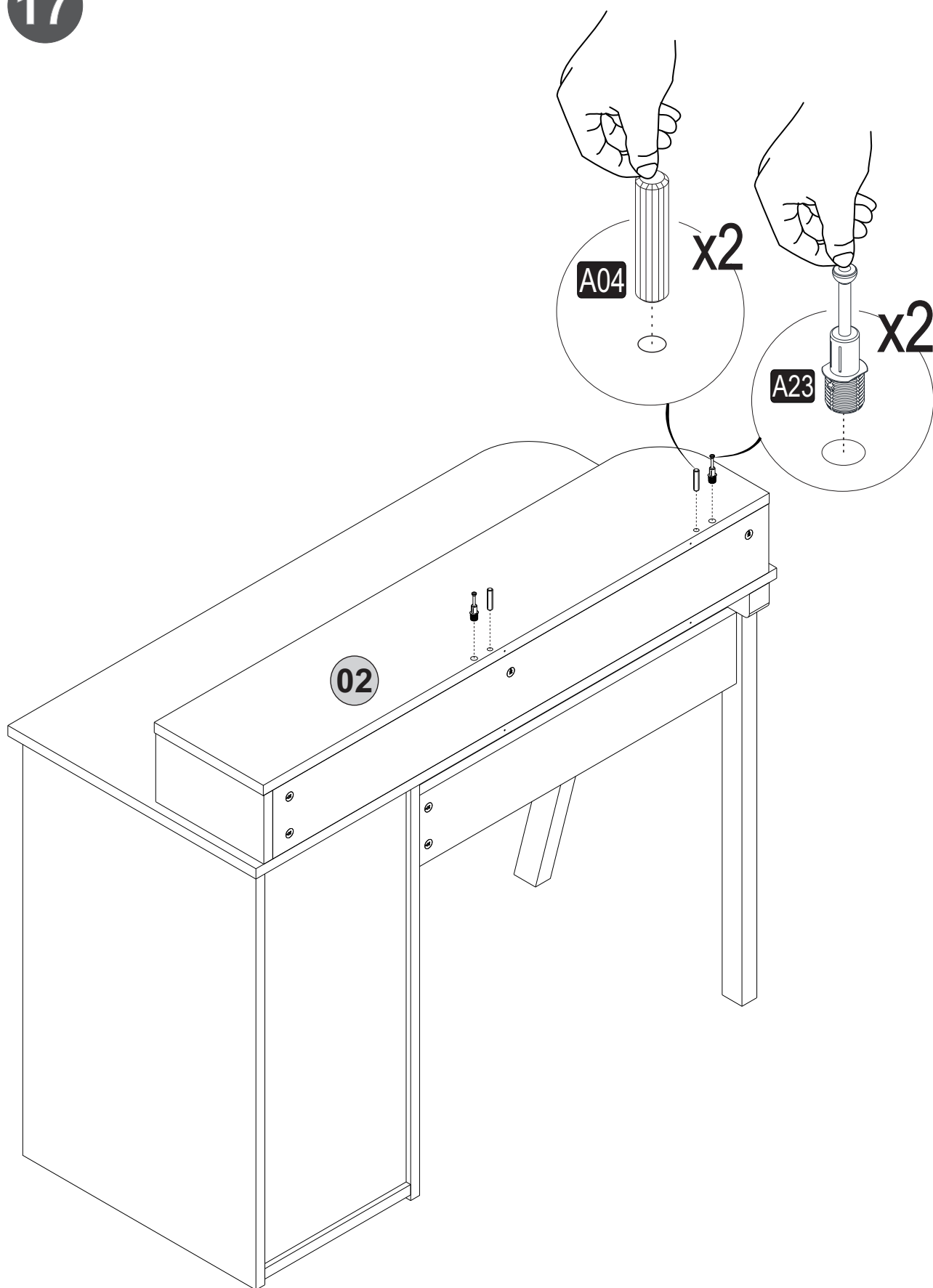
15



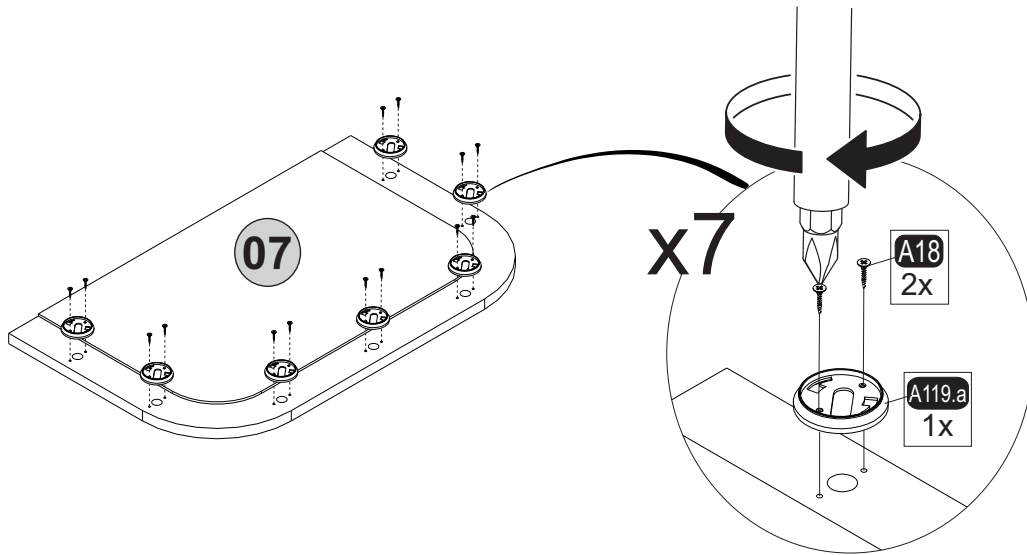
16



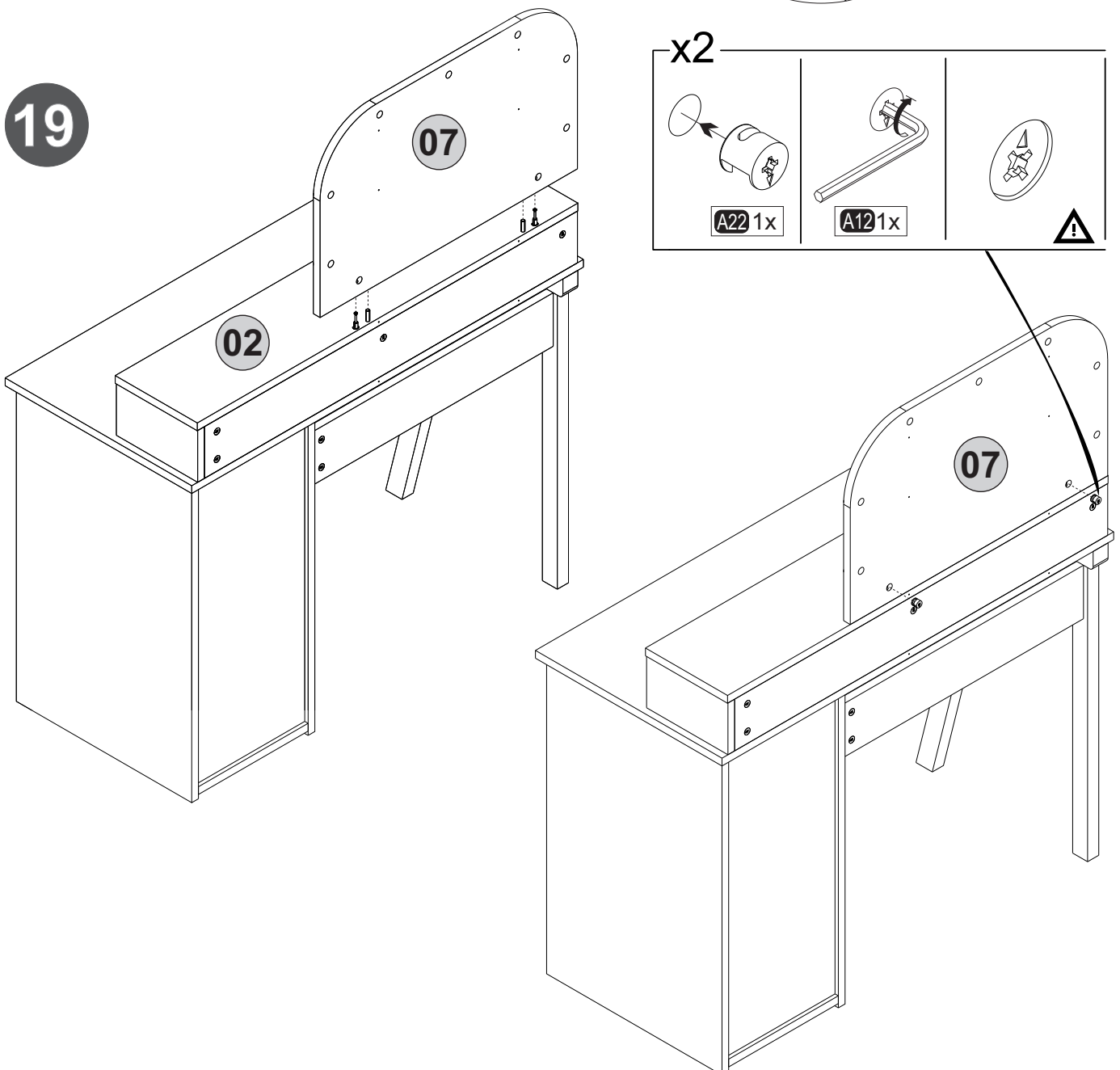
17



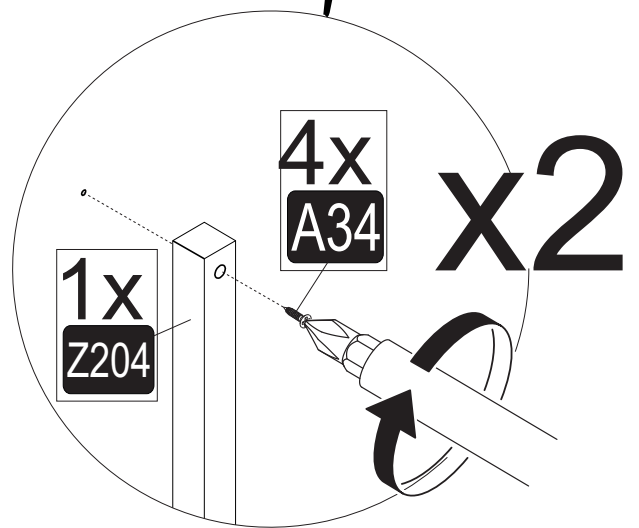
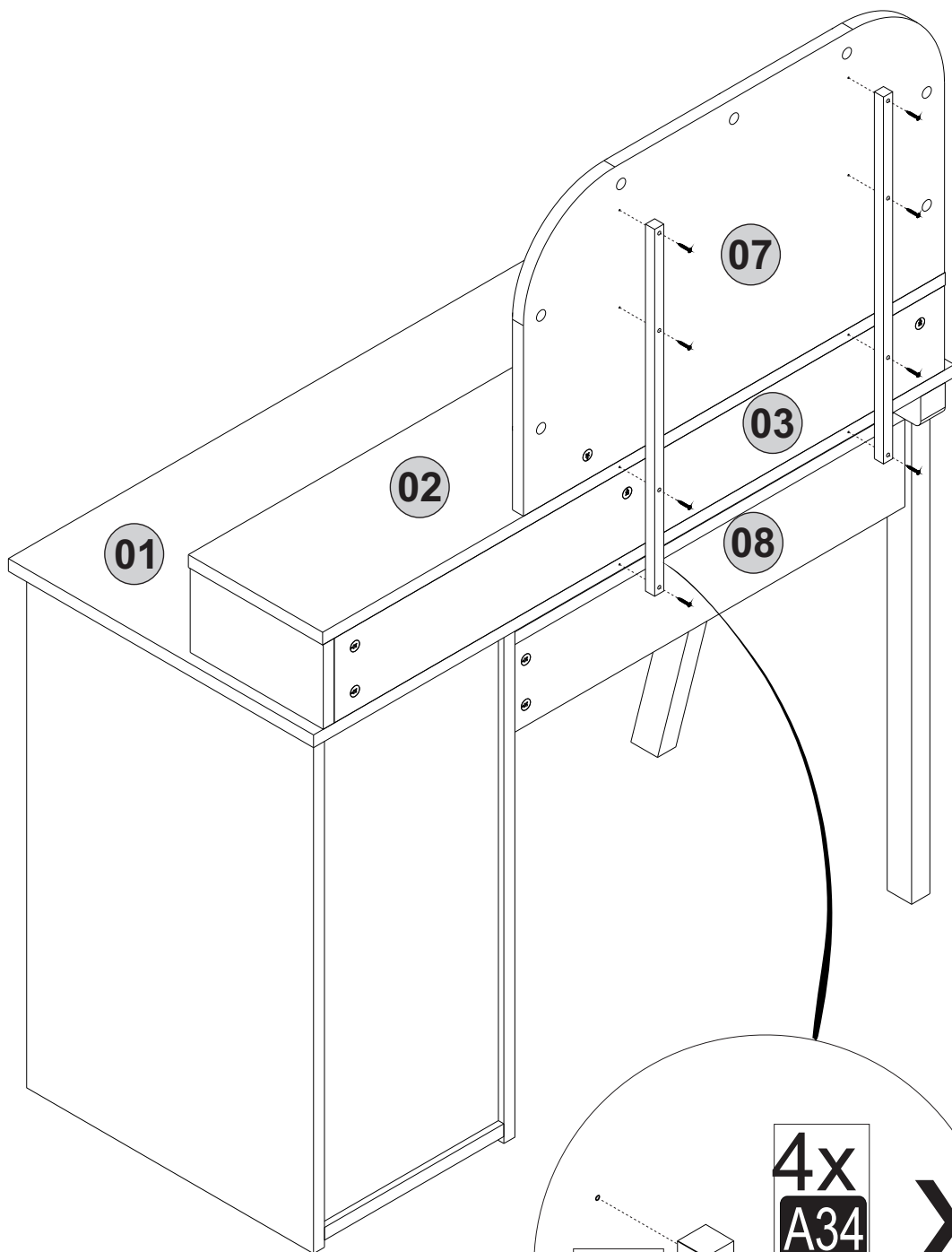
18



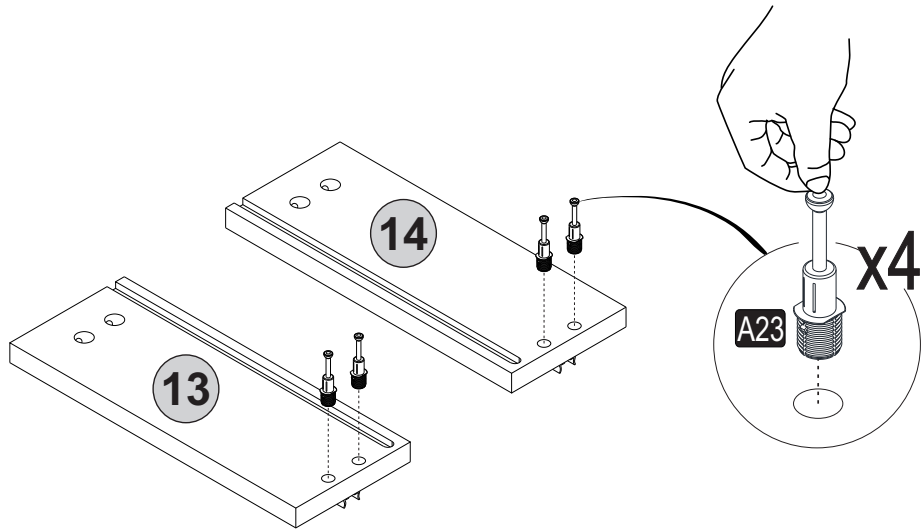
19



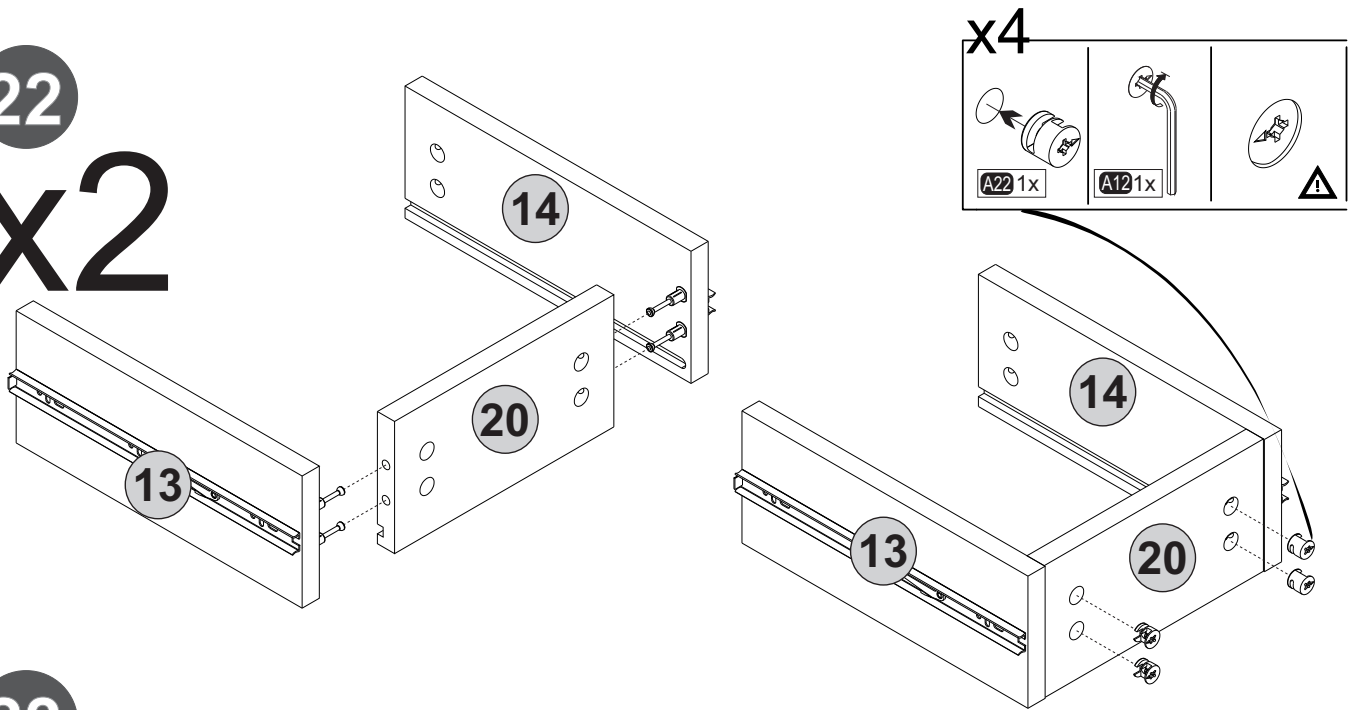
20



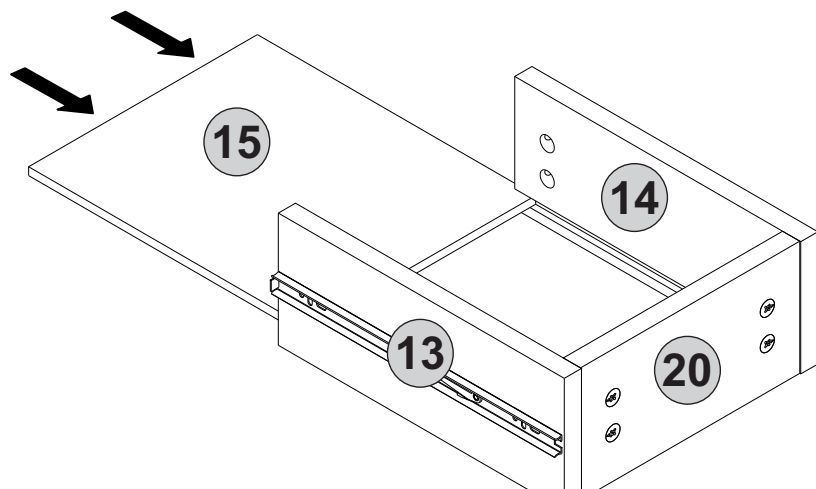
21
x2



22
x2

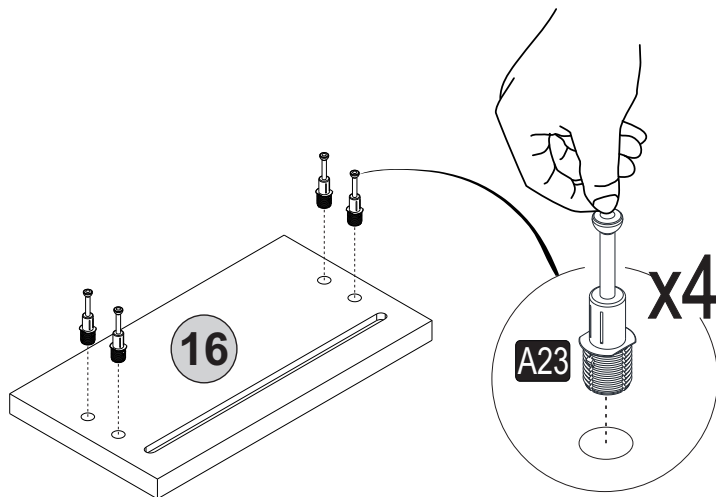


23
x2



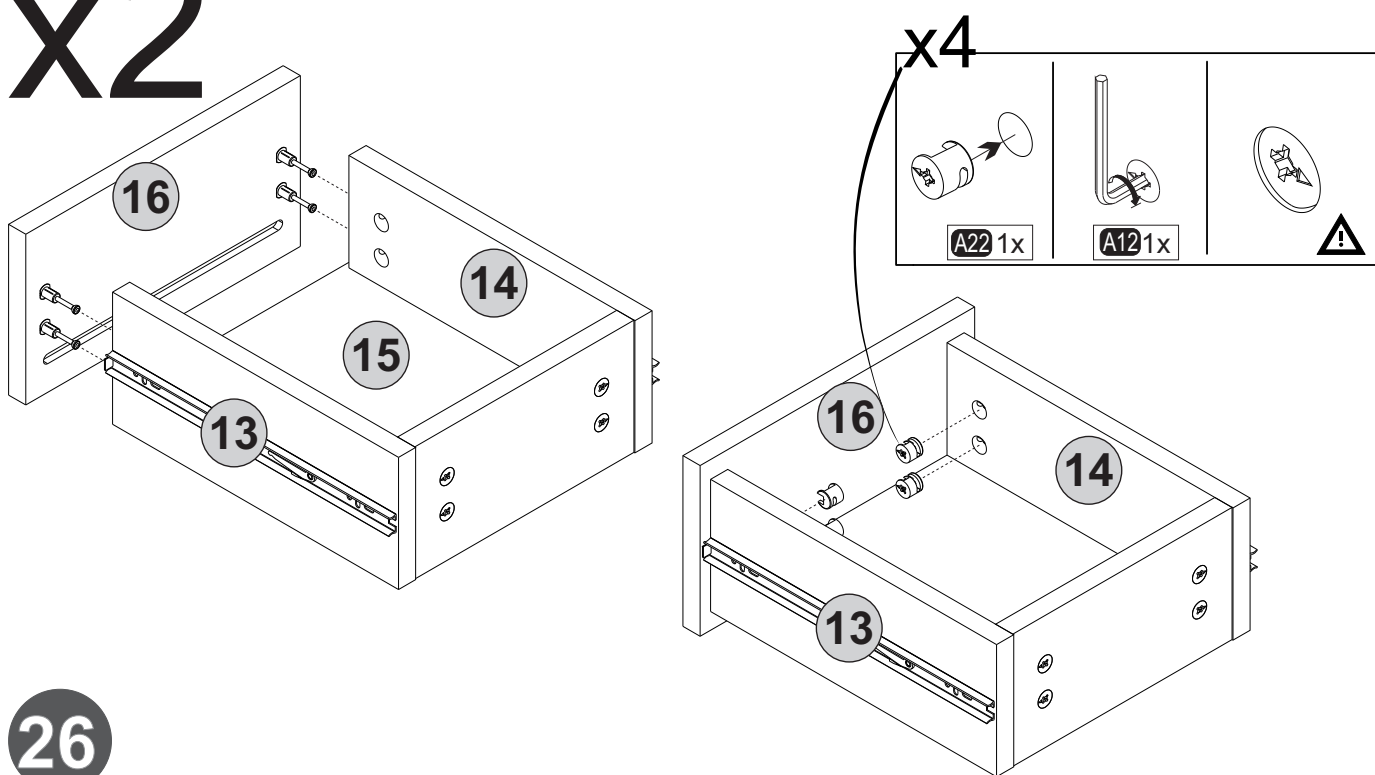
24

x2



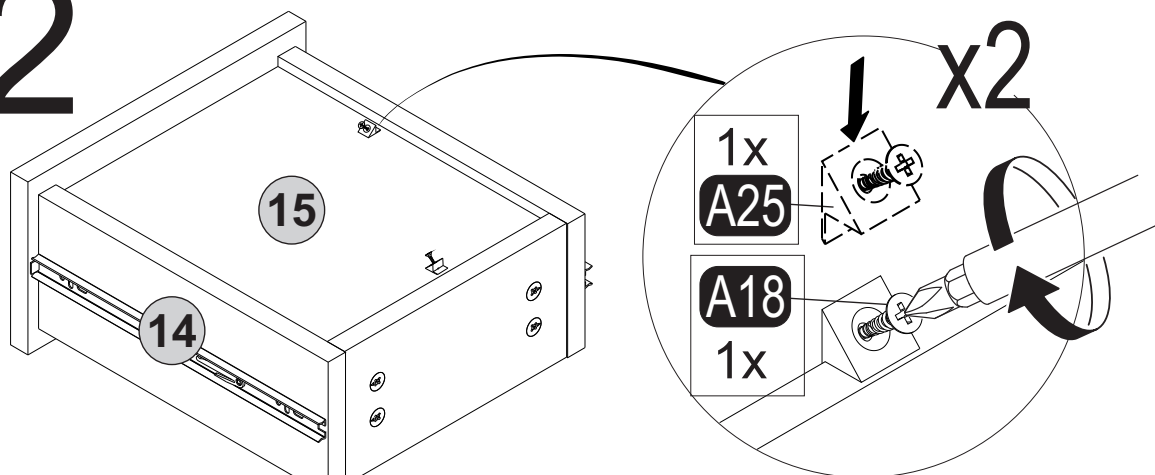
25

x2

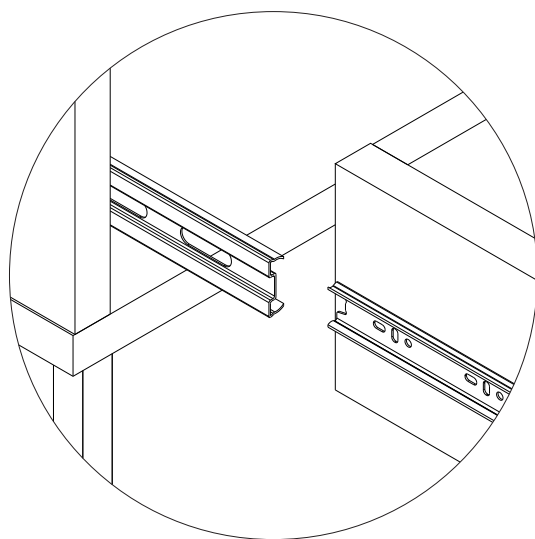
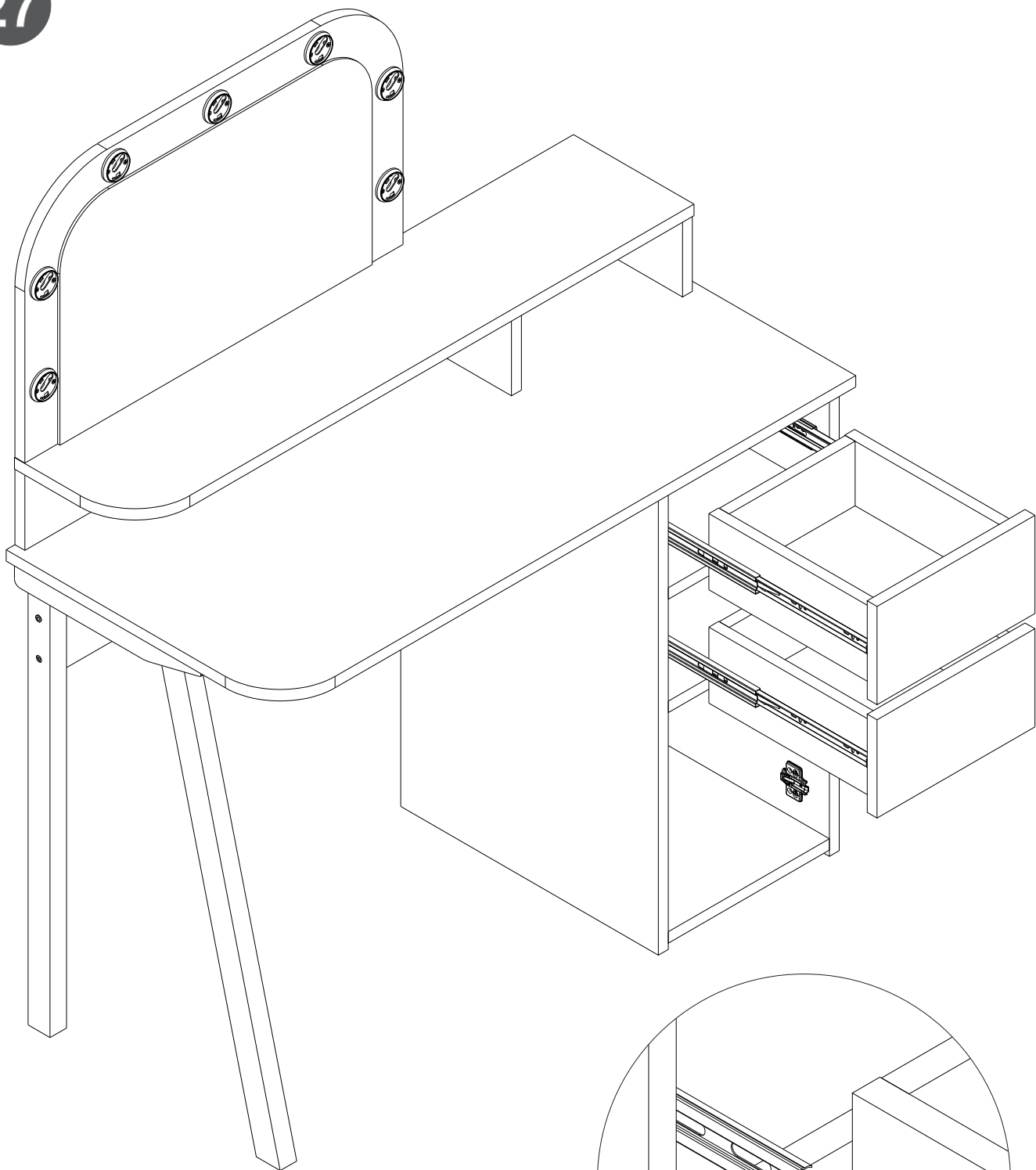


26

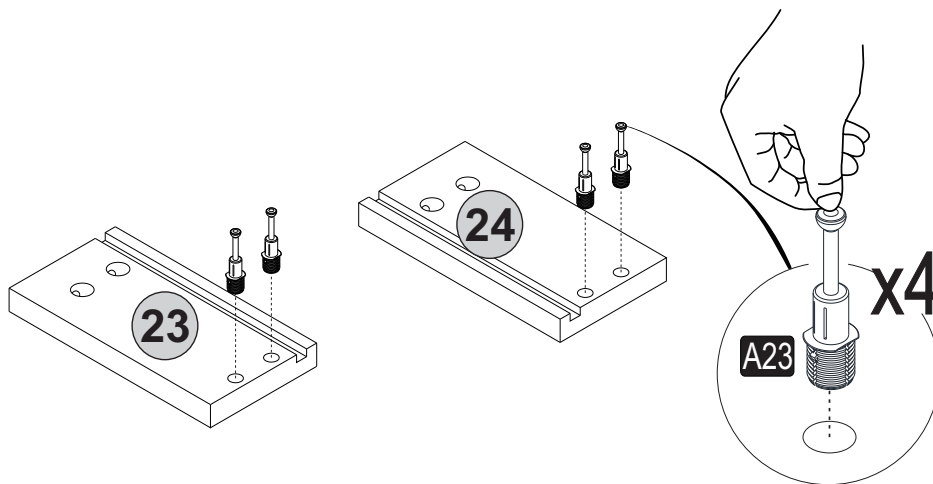
x2



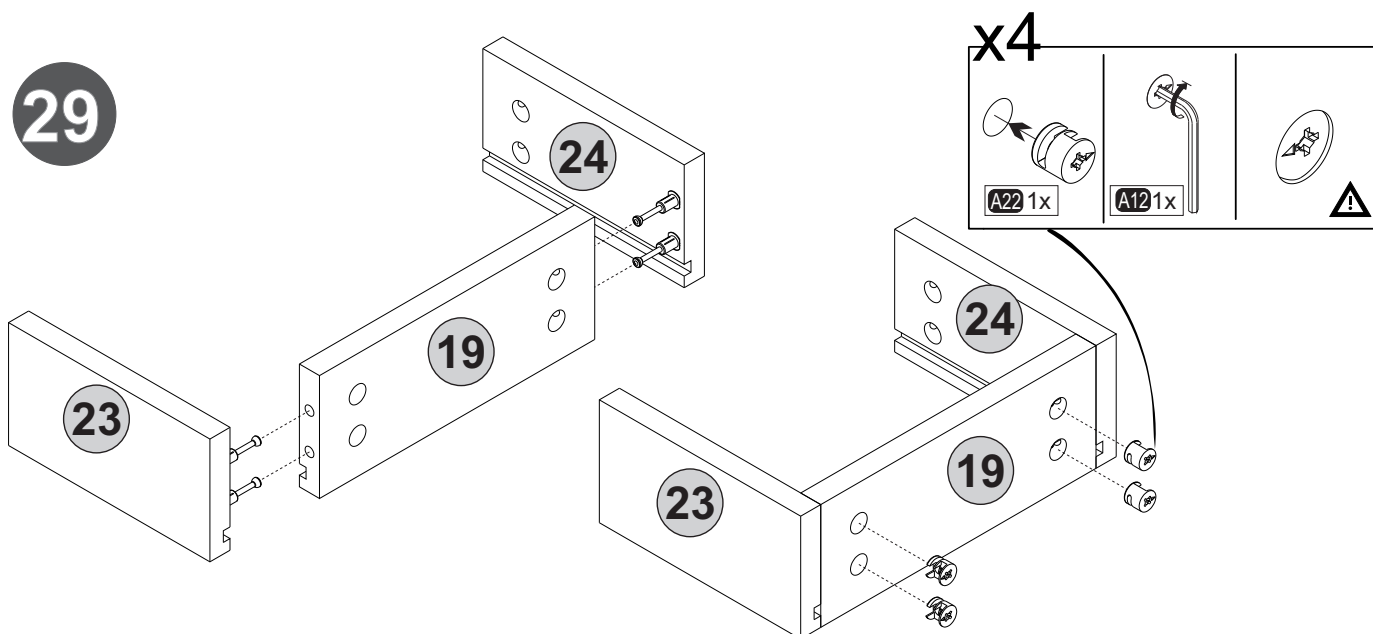
27



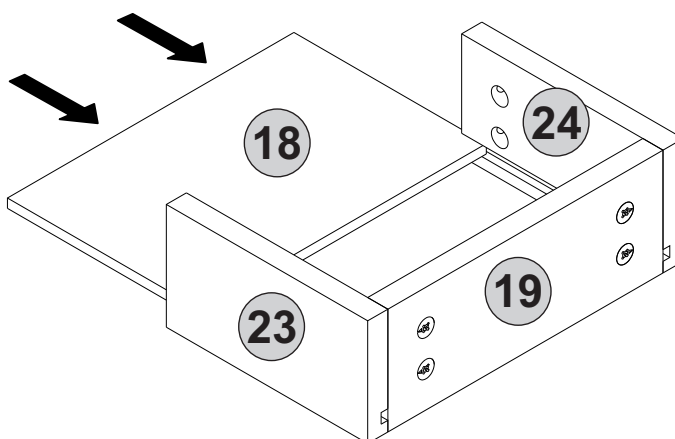
28



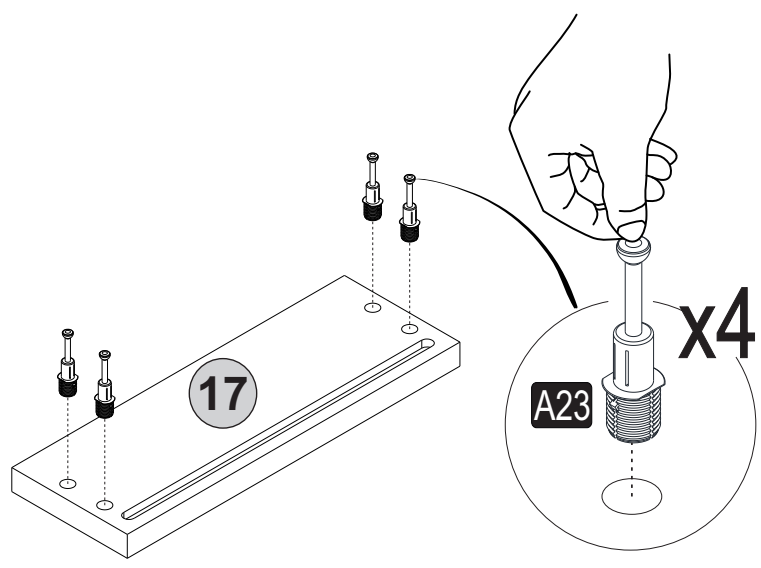
29



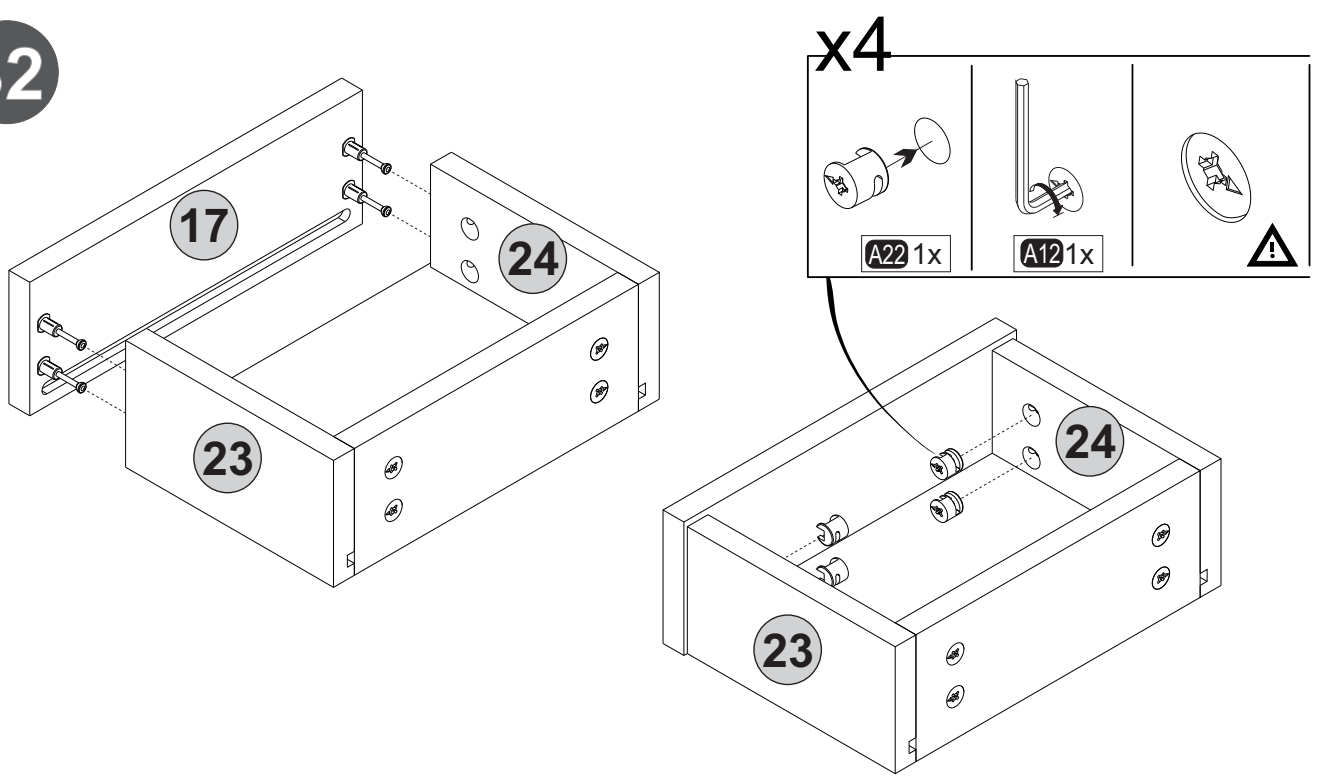
30



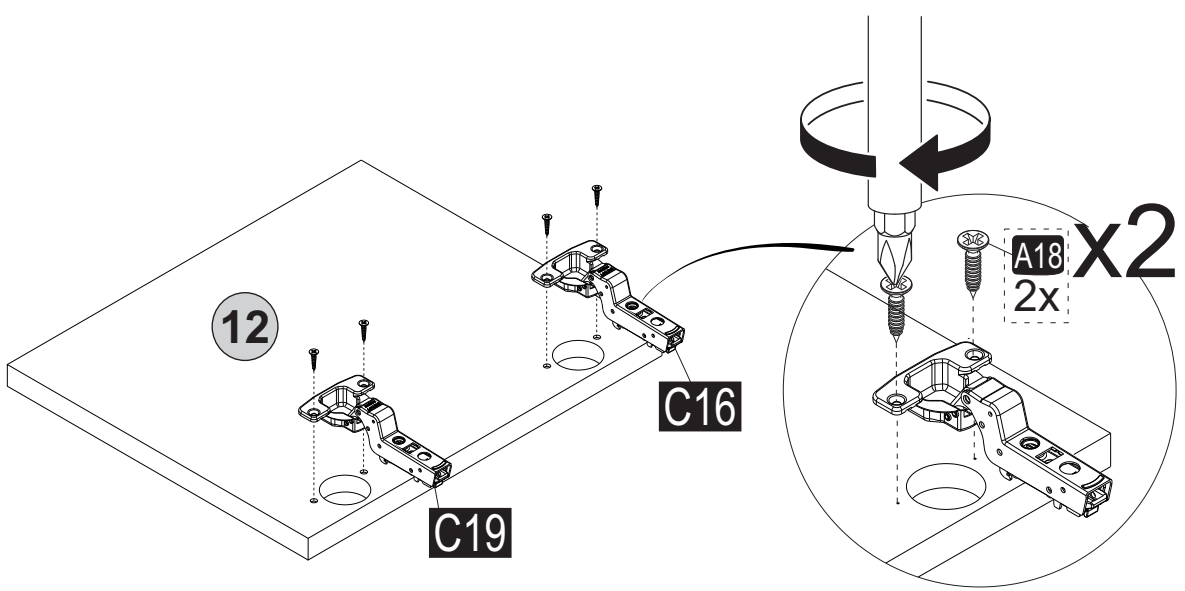
31



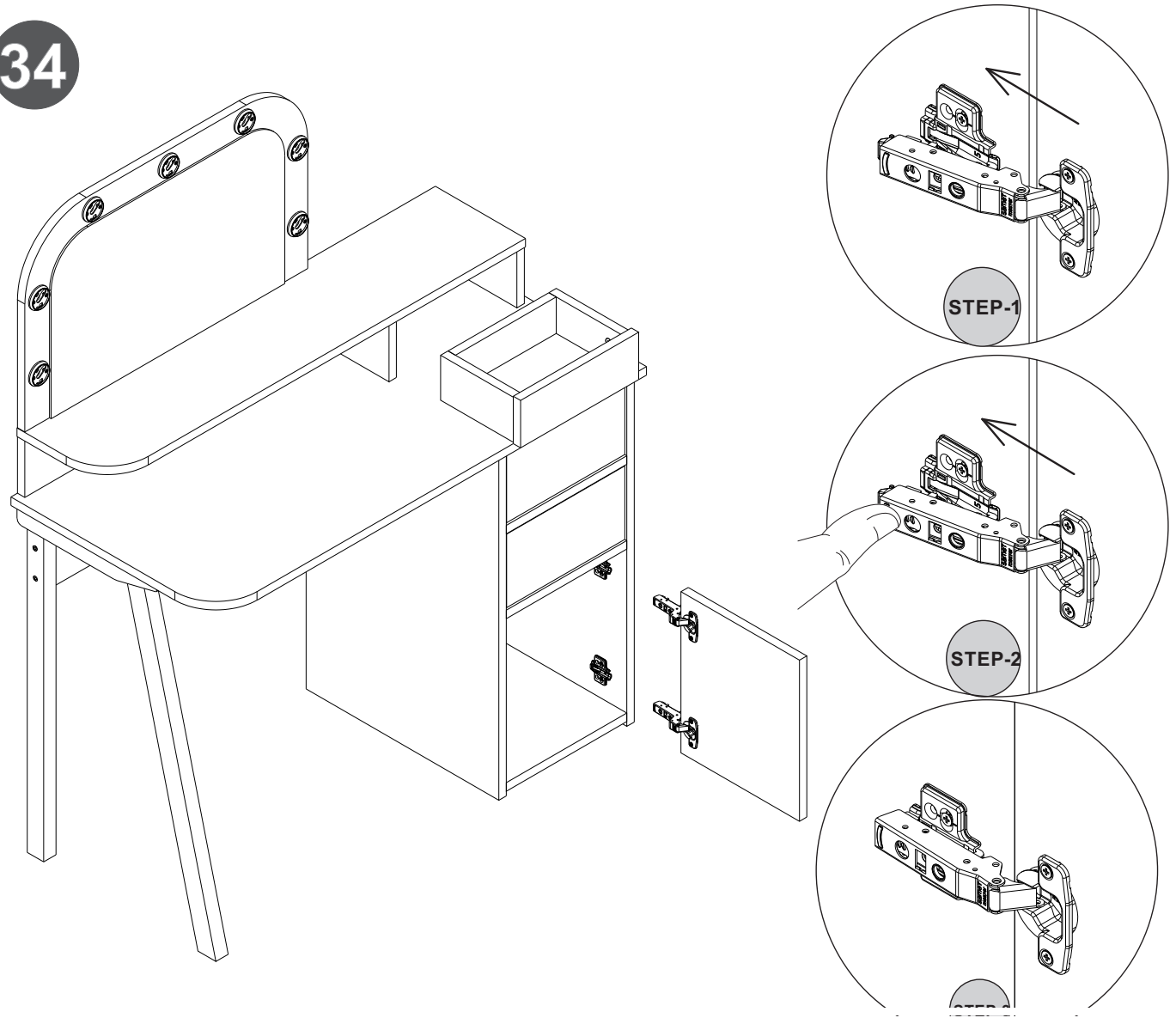
32



33



34



35

