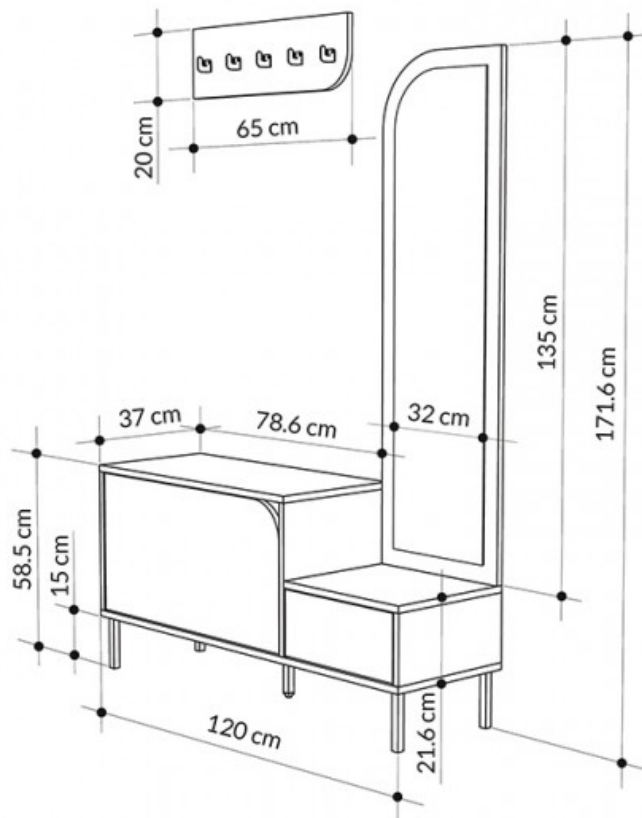
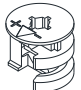
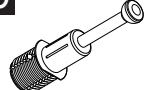
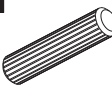
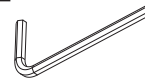

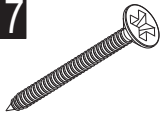

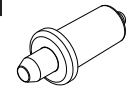
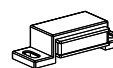
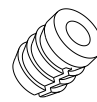
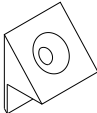
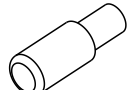
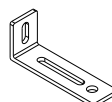
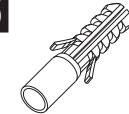


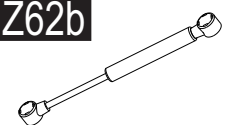
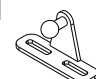

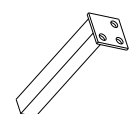

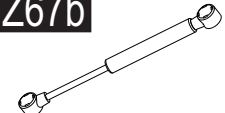
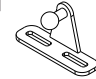
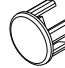

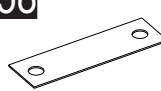
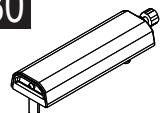

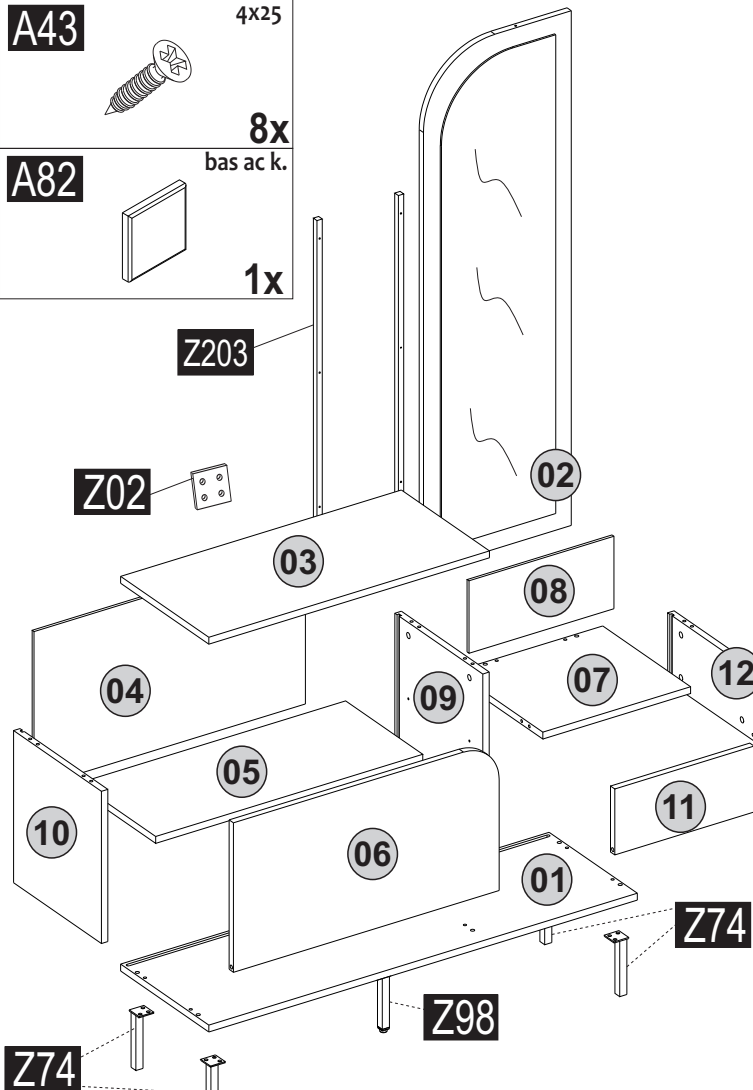
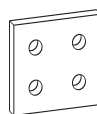
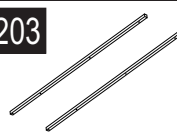
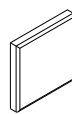


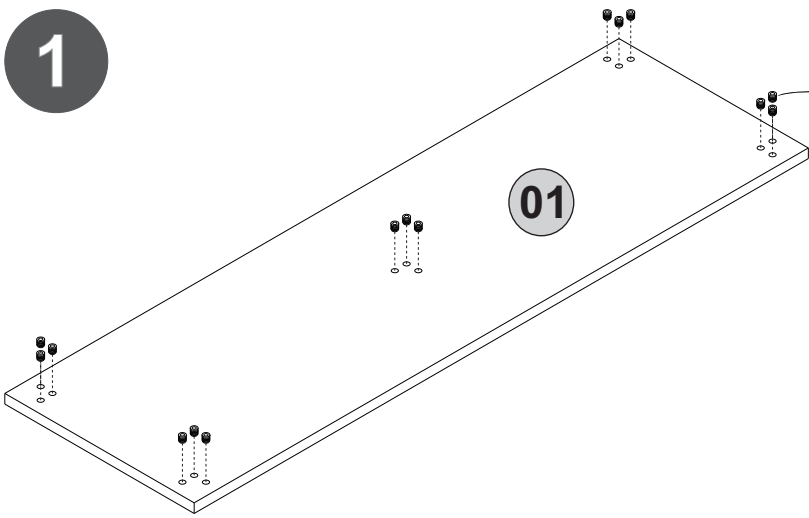


# GP037-0201,1

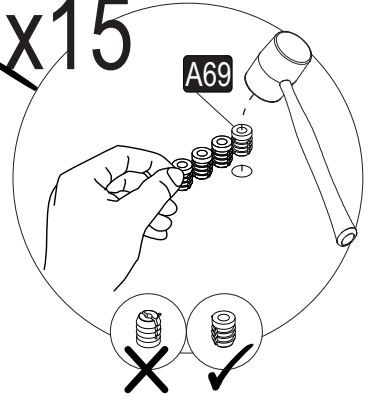


<b>A22</b> Minifix k18  16x	<b>A23</b> Minifix M10  16x	<b>A04</b> Ø8x30  16x	<b>A12</b> Allen  1x	<b>A06</b> 18mm  C1-16x
<b>A17</b> 4X50  1x	<b>A18</b> 3,5X18  26x	<b>A65</b> Mil Mentese  4x	<b>A96</b> MÇP  1x	<b>A69</b> P.D.  15x
<b>A25</b> ARK.PL  8x	<b>A48</b> Raf Pimi  4x	<b>A89</b> 15x18x50  1x	<b>A16</b> DbØ8  1x	<b>B15</b> 15 (black)mm  15x
<b>Z62a</b> DKP  1x	<b>Z62b</b> DKP  1x	<b>Z62c</b> DKP  1x	<b>Z62d</b> DKP  2x	<b>Z74</b> A.M.A.S  4x
<b>Z67a</b> DKP  1x	<b>Z67b</b> DKP  1x	<b>Z67c</b> DKP  1x	<b>Z67d</b> DKP  2x	<b>Z98</b> AMA 150mm  1x
<b>Z158</b> MÇÇK galvaniz  1x	<b>A80</b> bas ac  1x	<b>A43</b> 4x25  8x		
<b>Z02</b> Bd  1x	<b>Z203</b> Ym.Bm  1x	<b>A82</b> bas ac k.  1x		

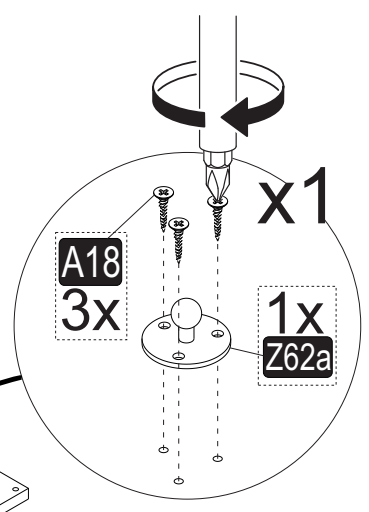
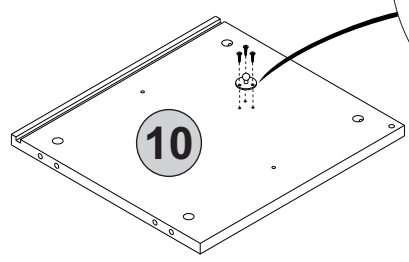
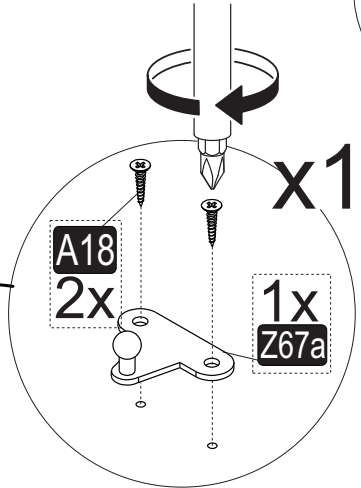
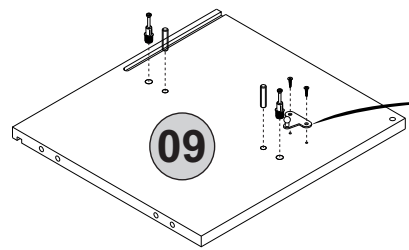
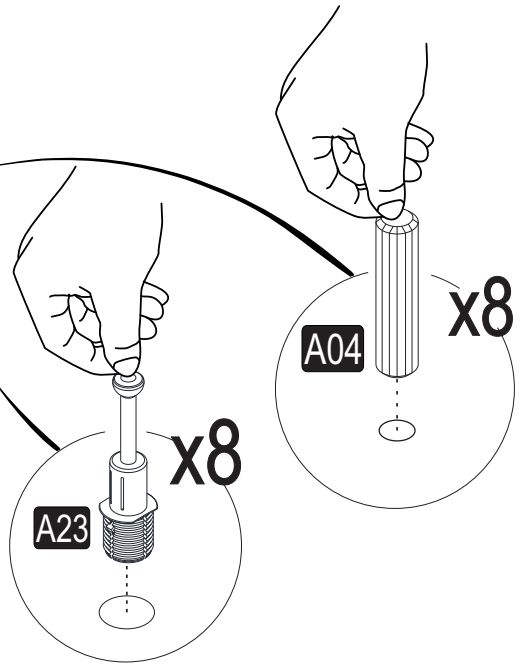
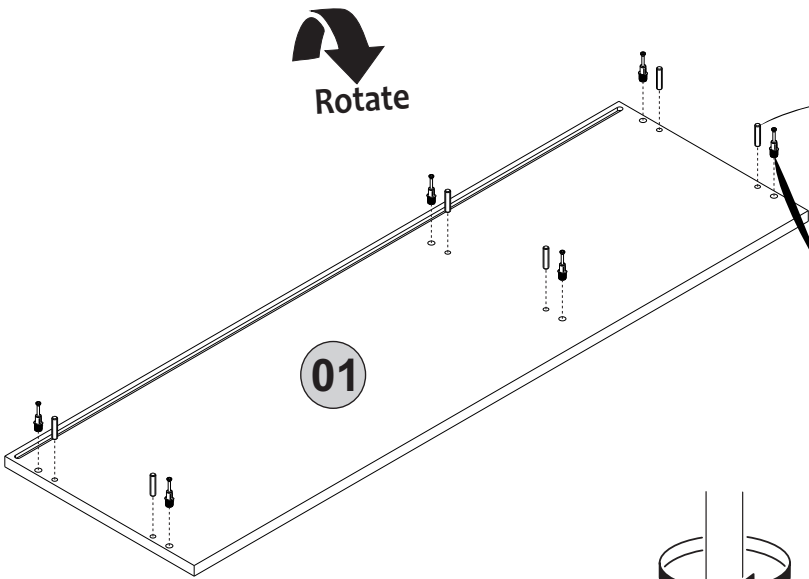
1



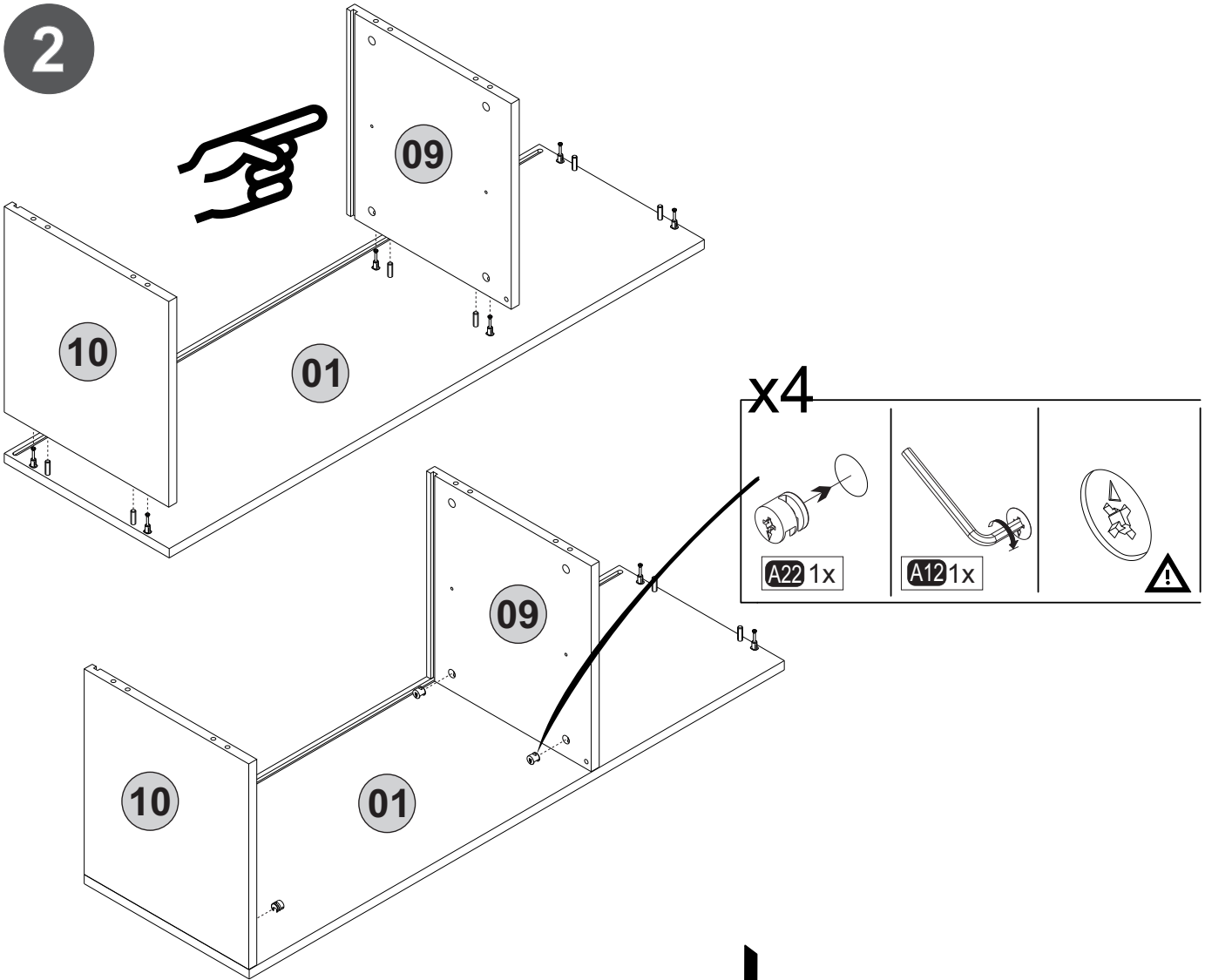
x15



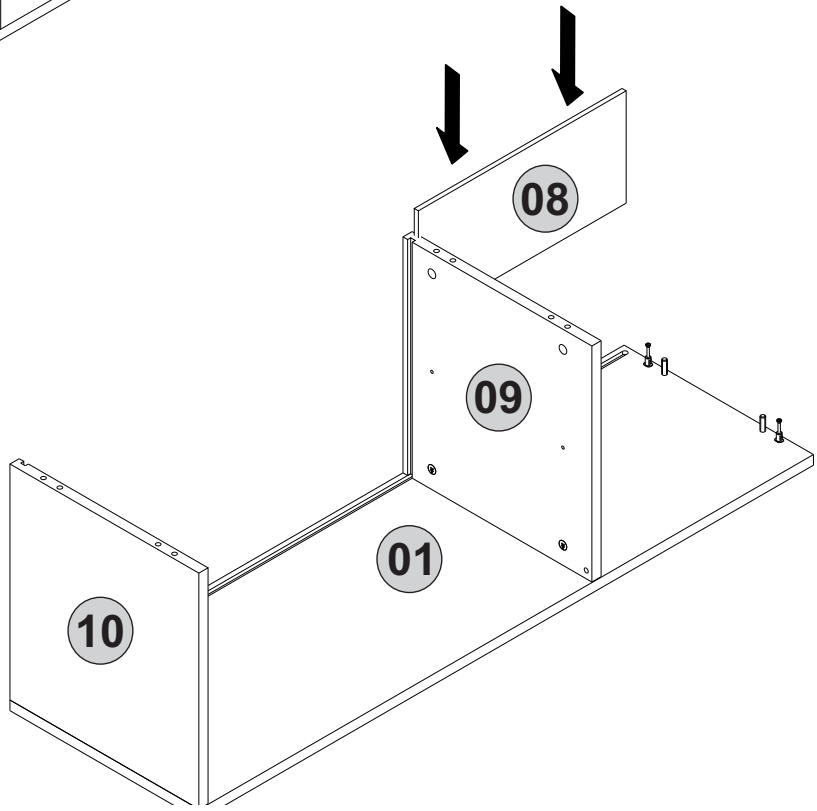
Rotate



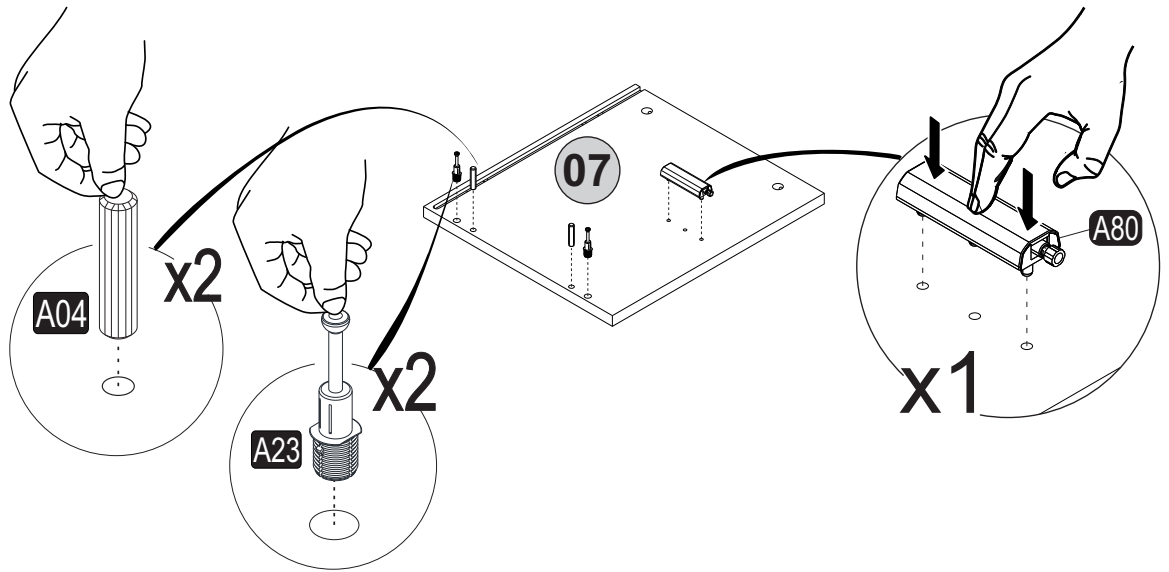
2



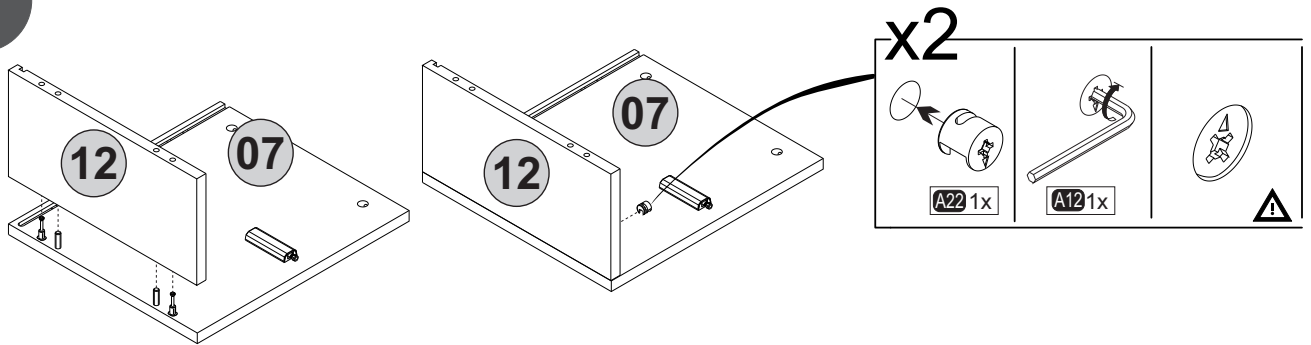
3



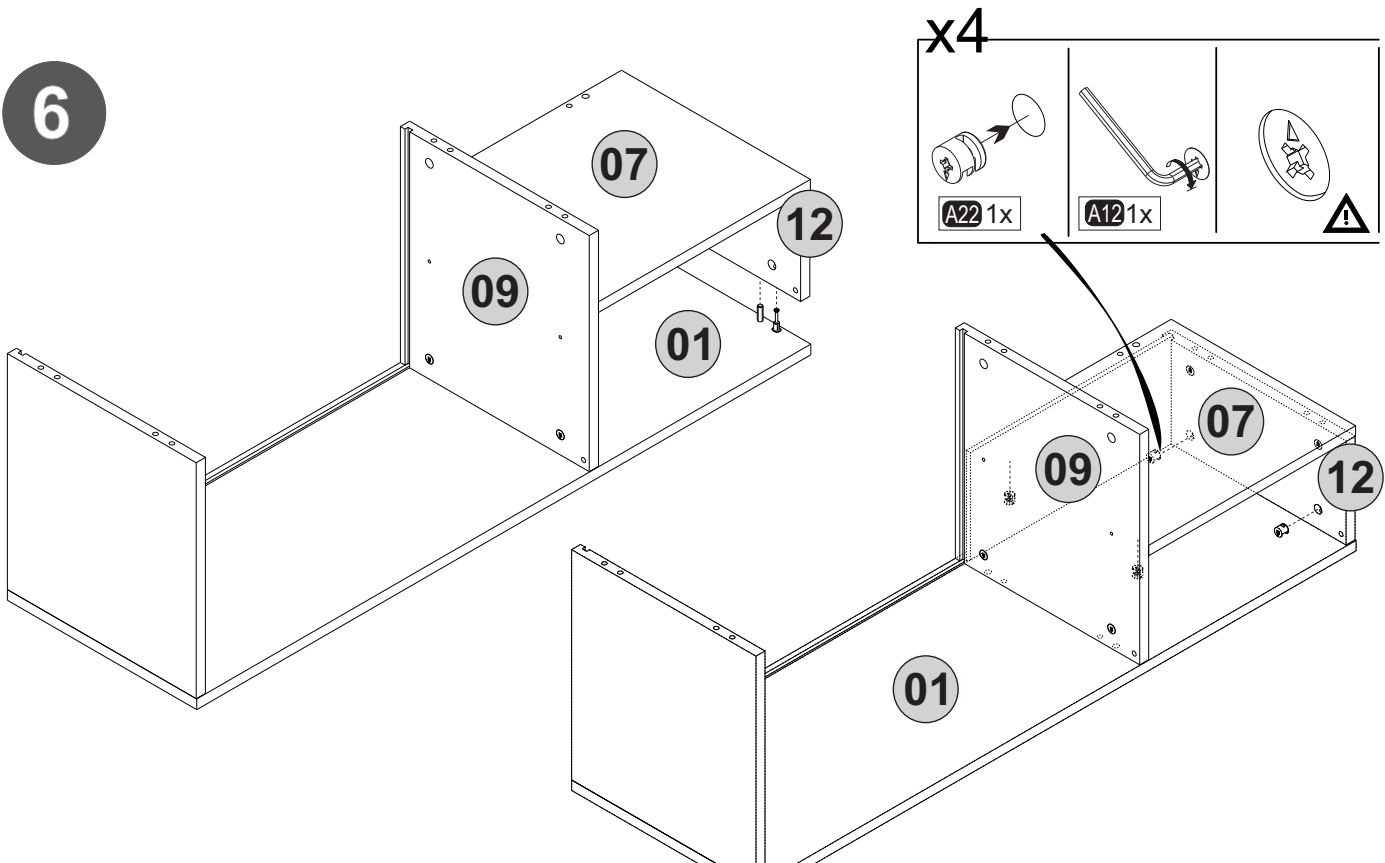
4



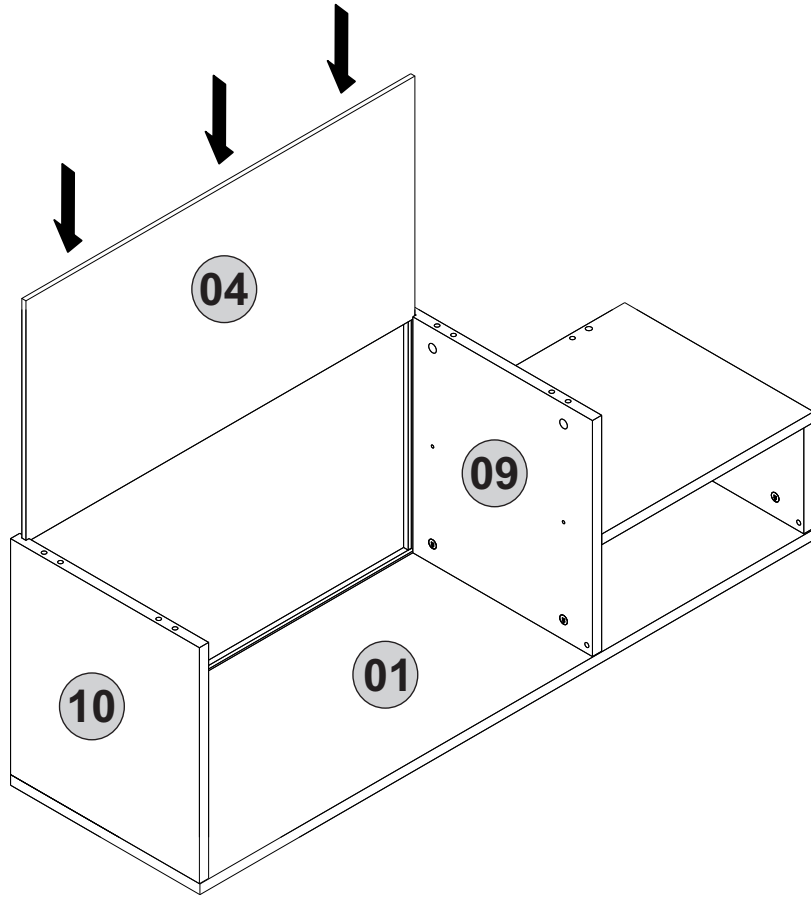
5



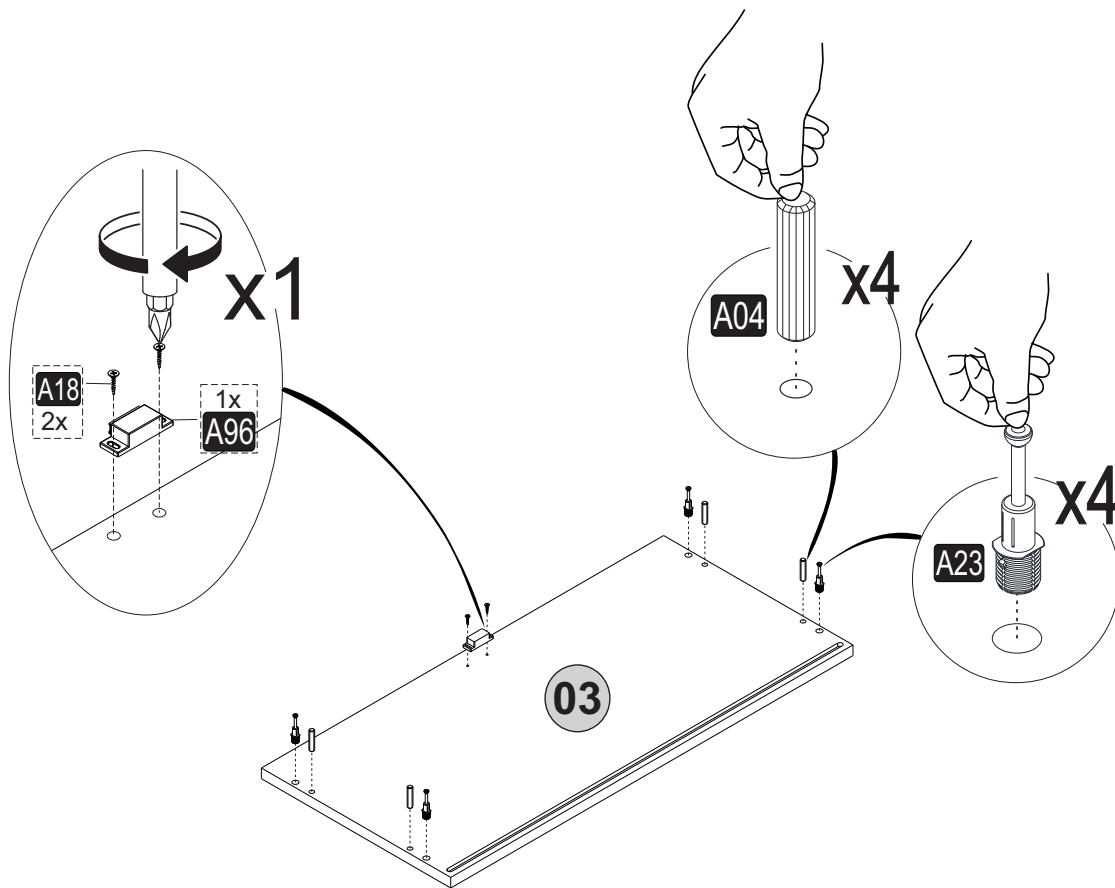
6



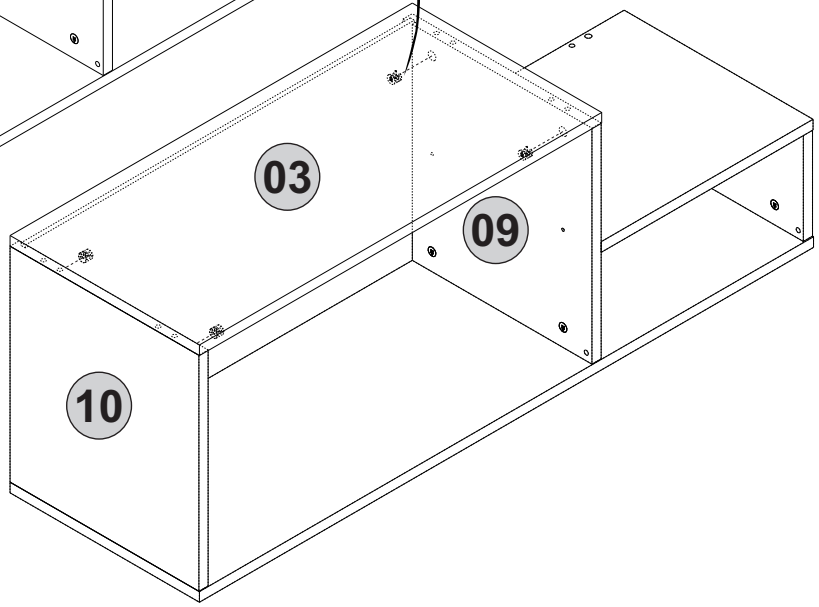
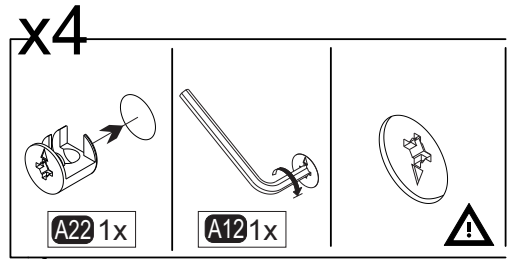
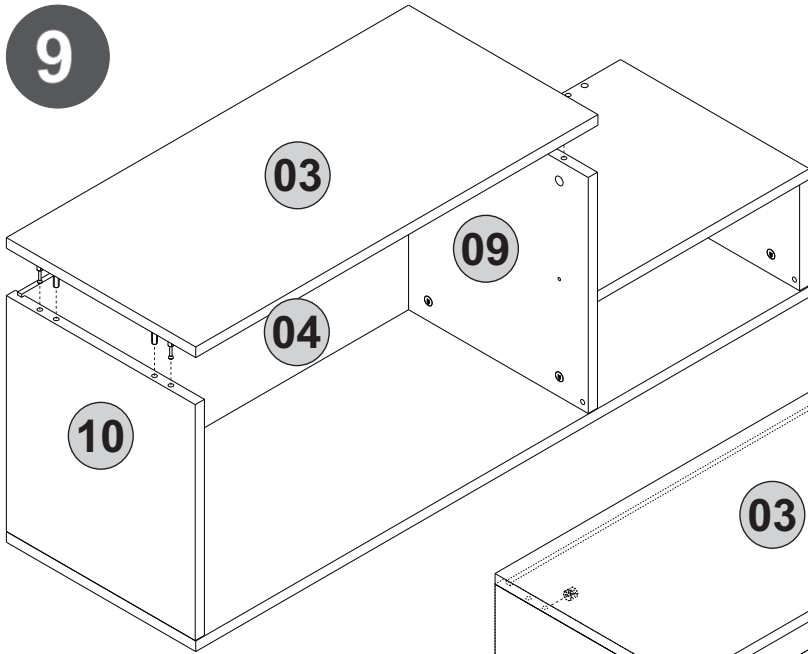
7



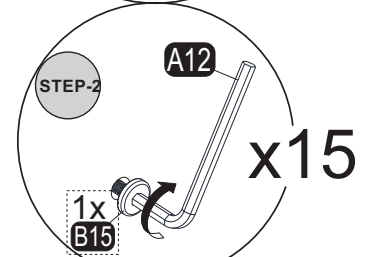
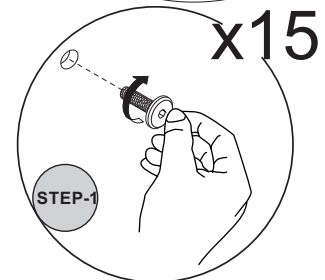
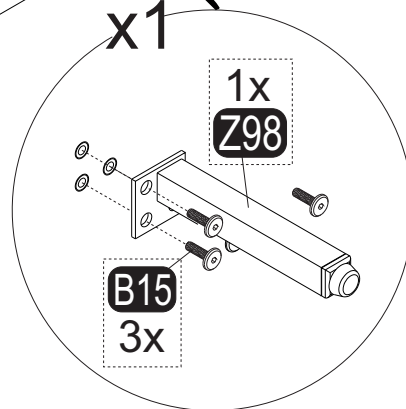
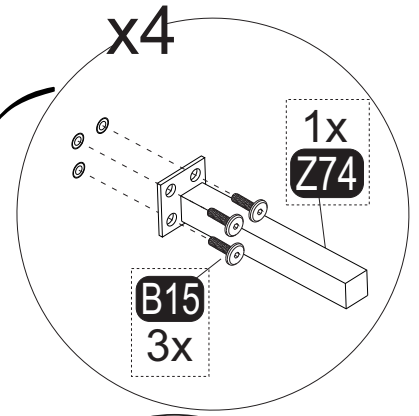
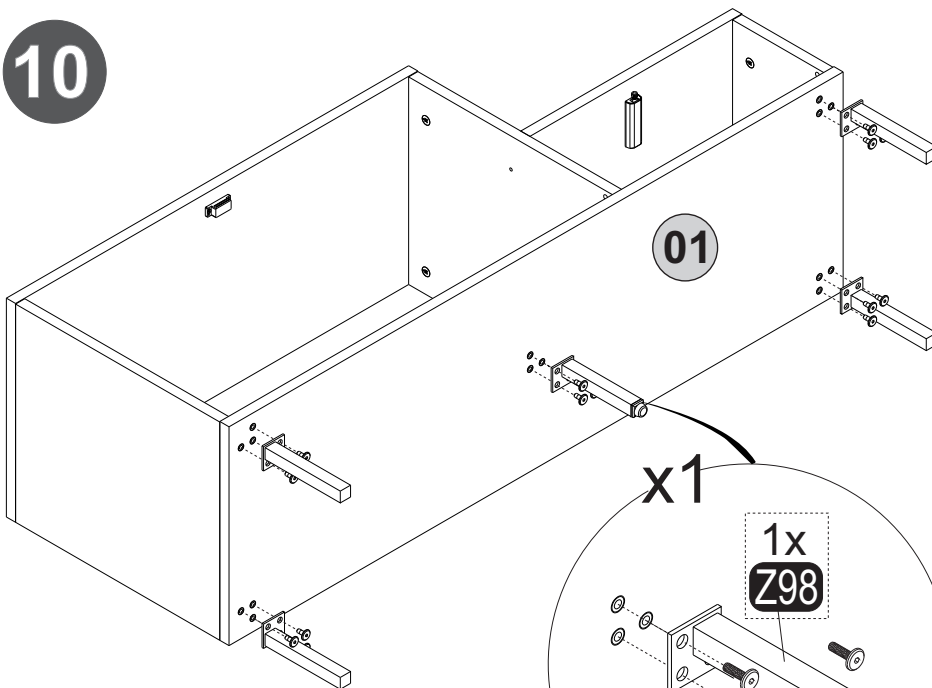
8



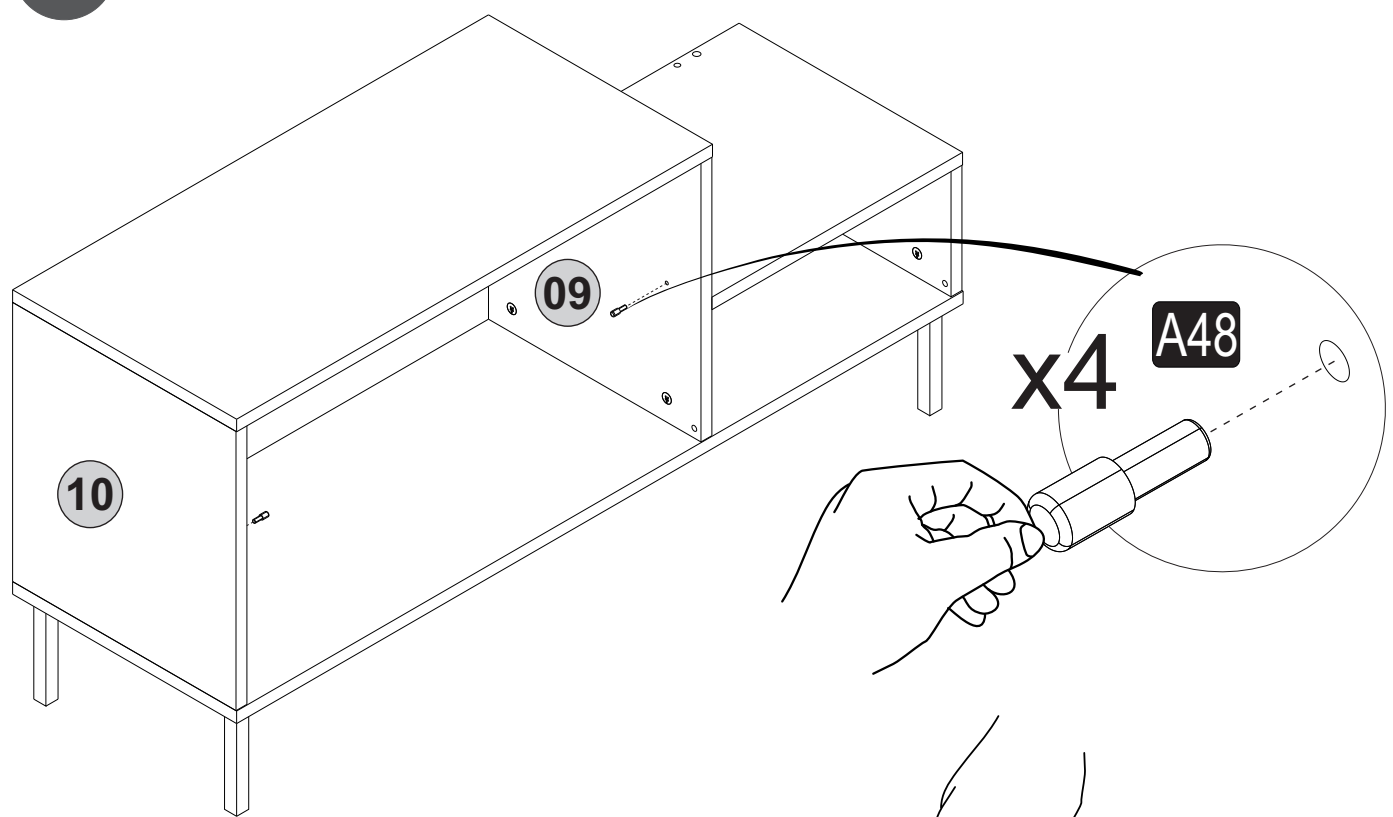
9



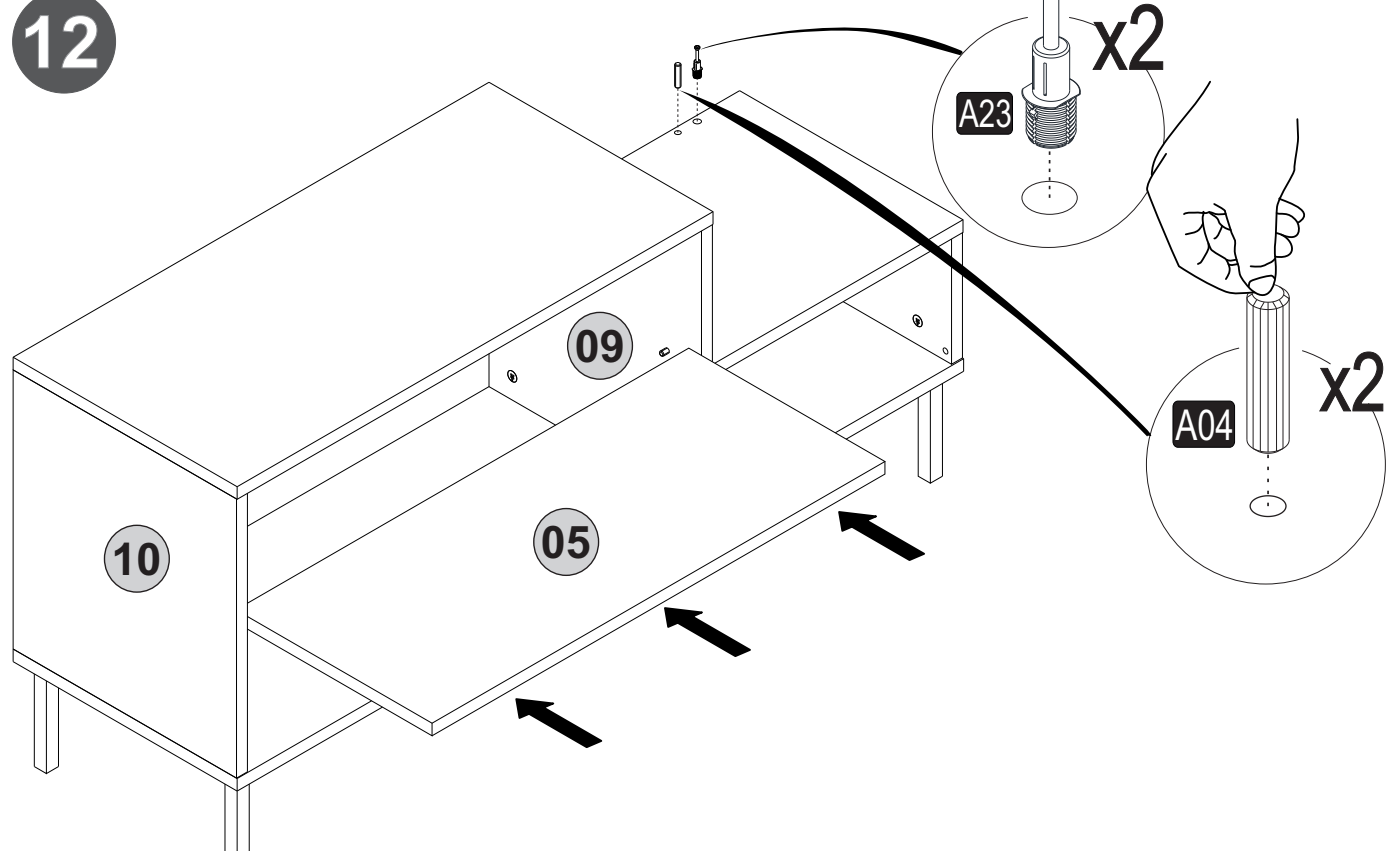
10



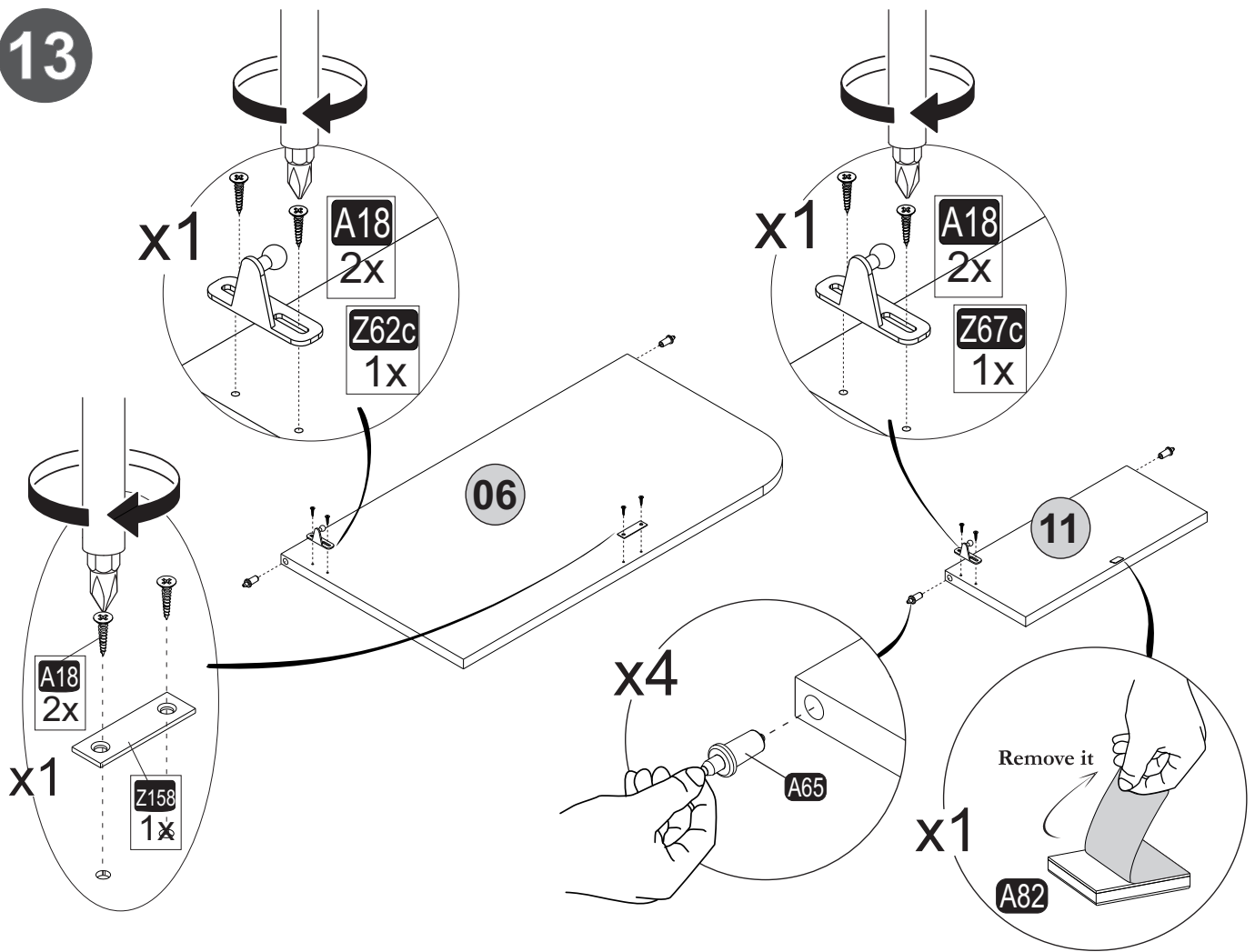
11



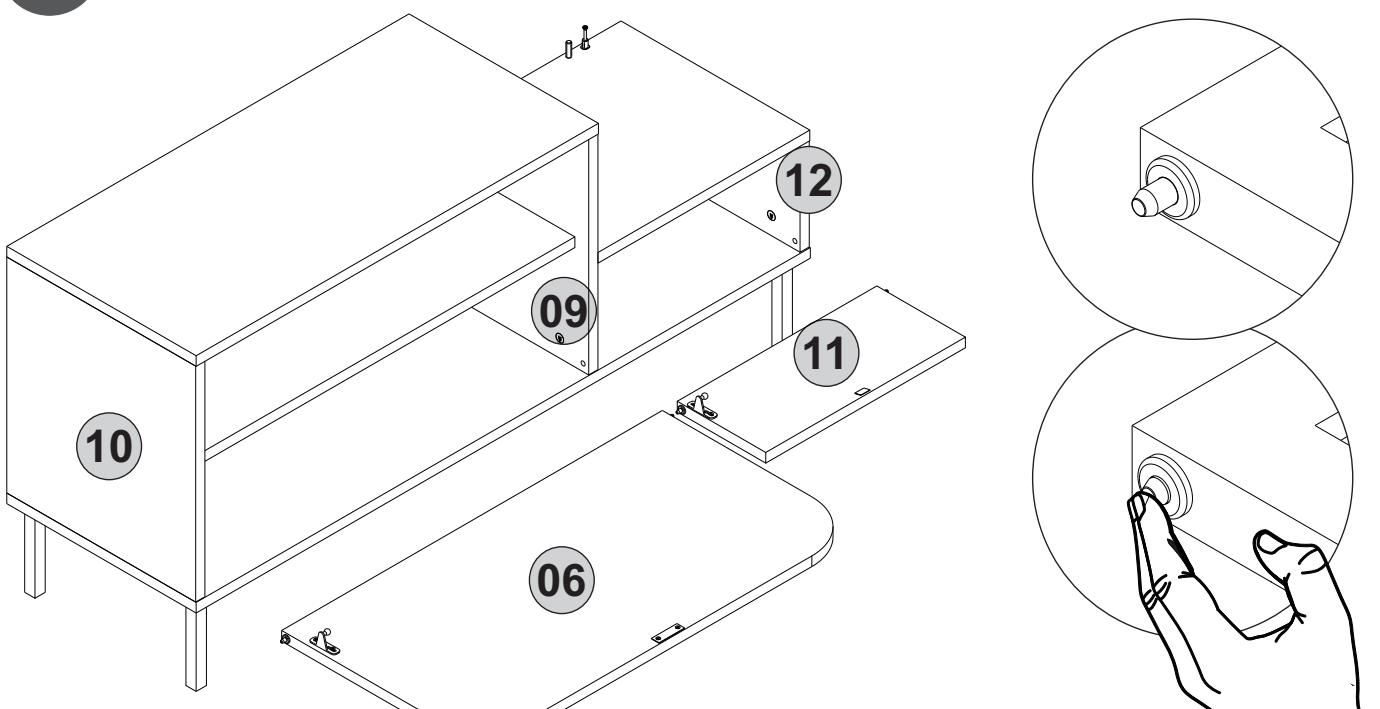
12



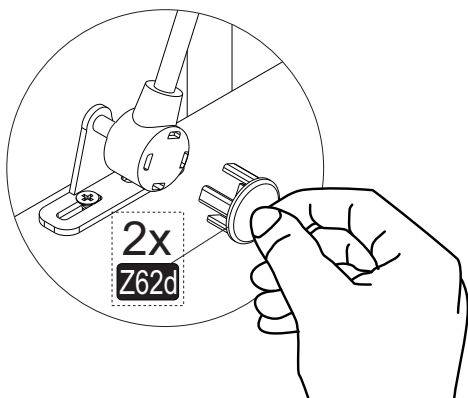
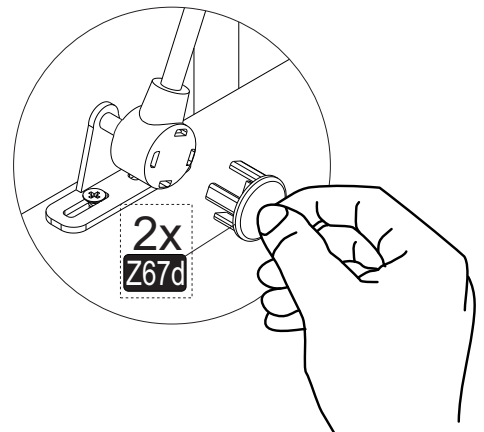
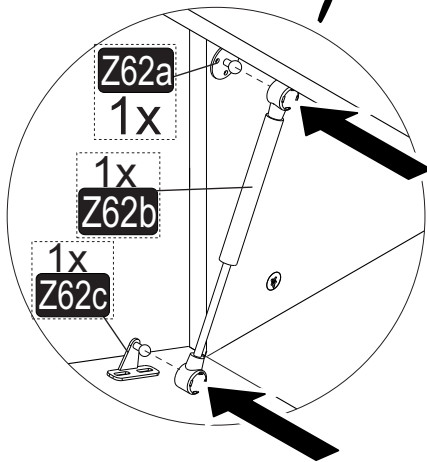
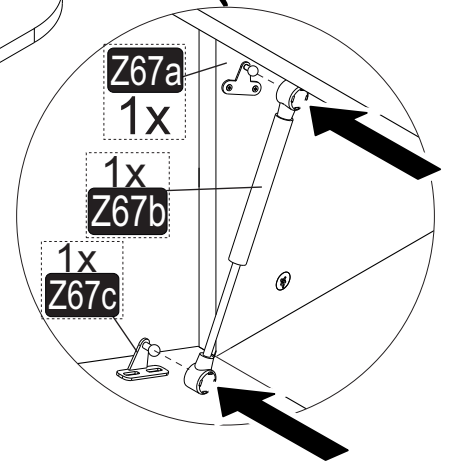
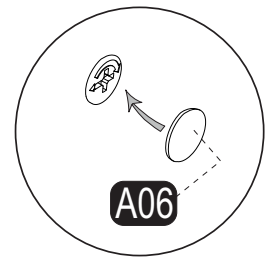
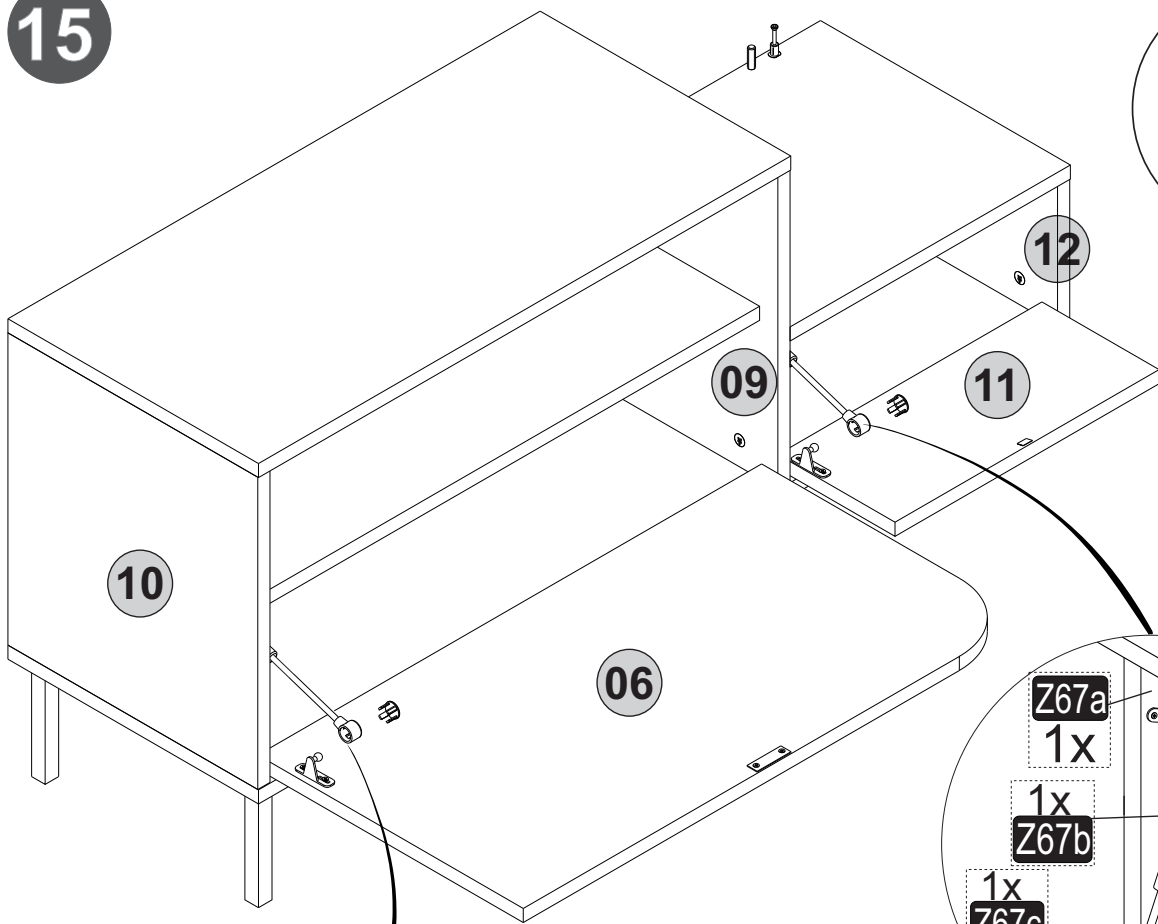
13



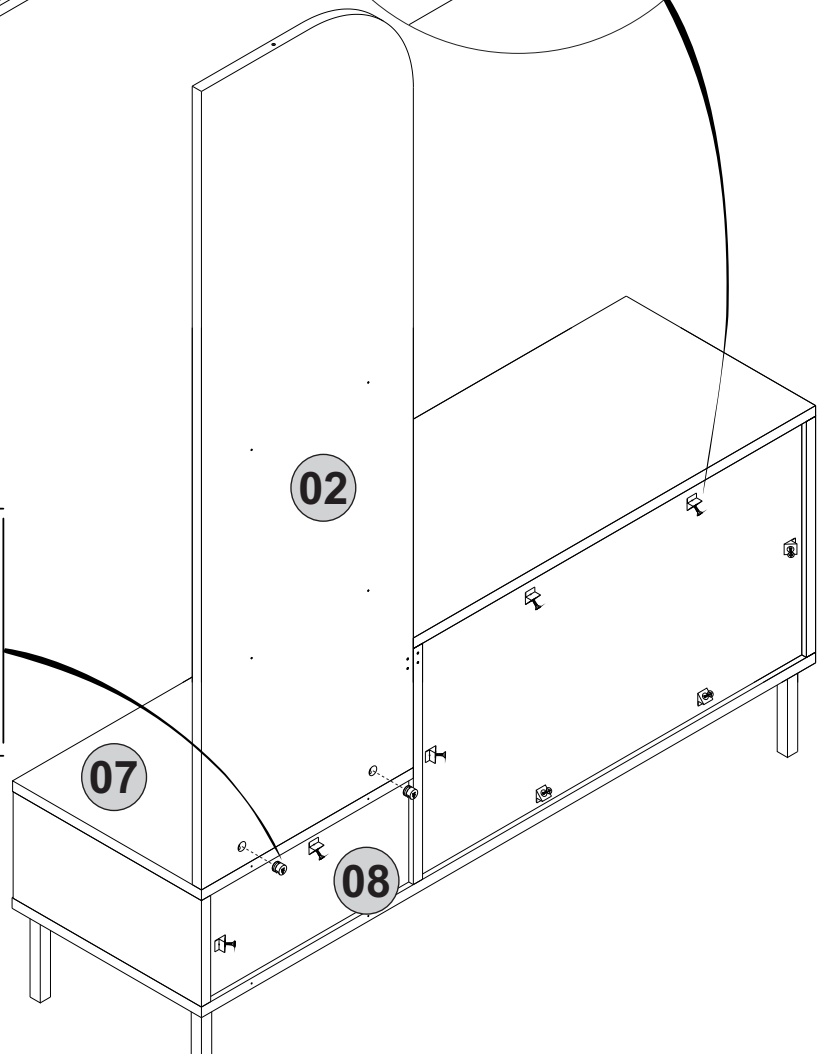
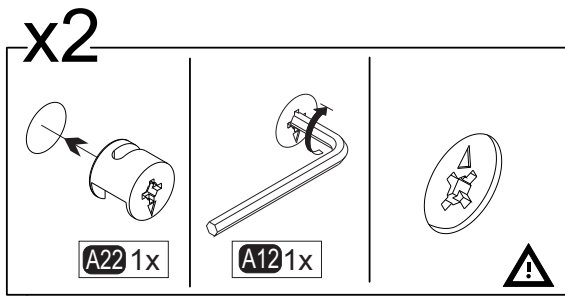
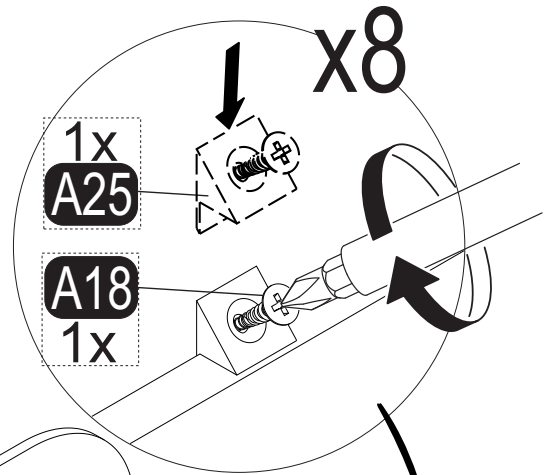
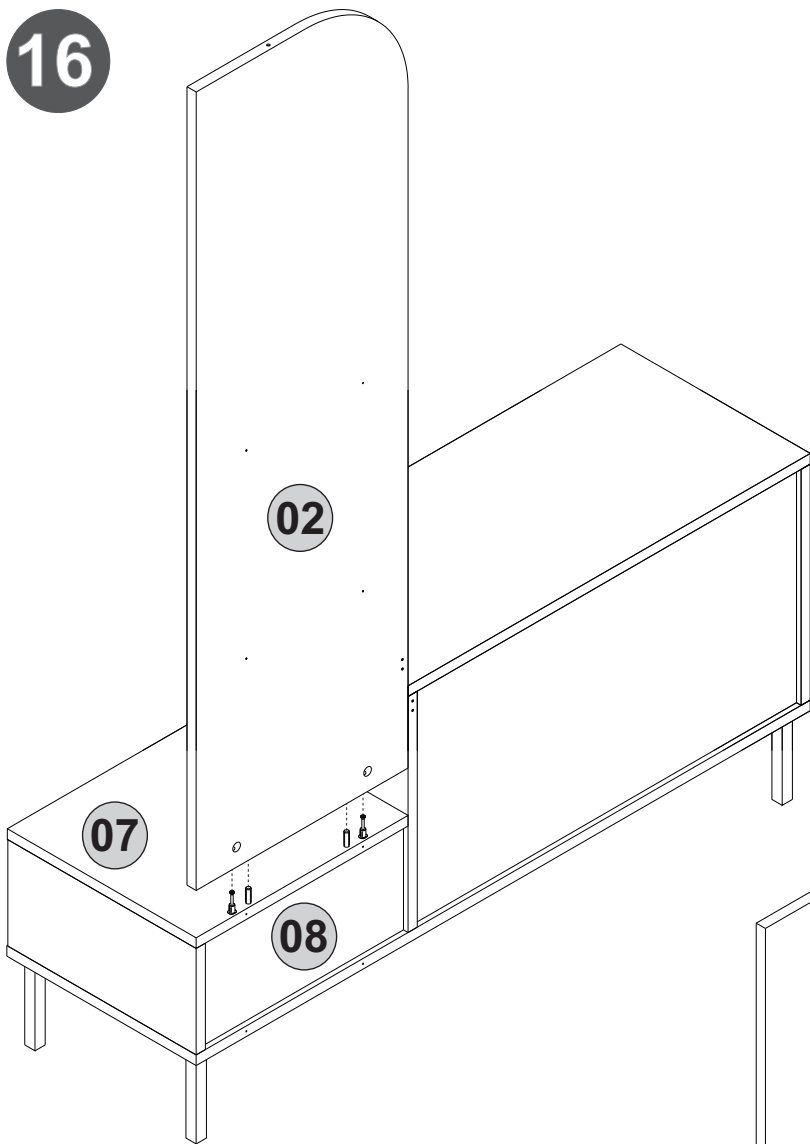
14



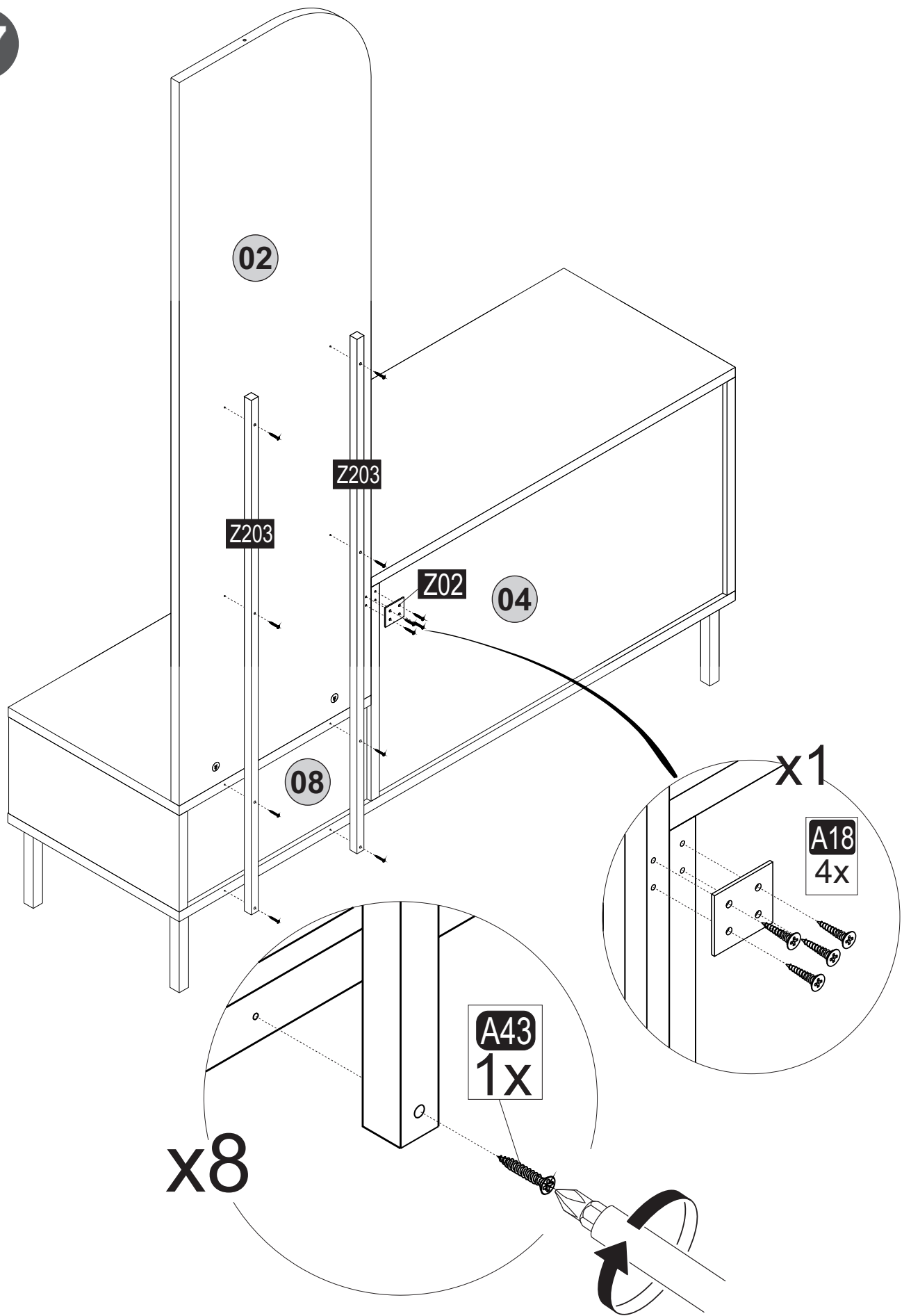
15



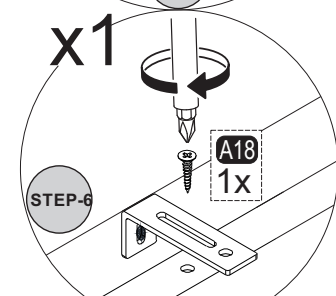
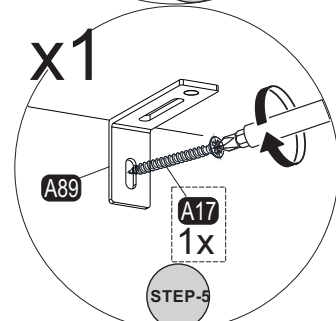
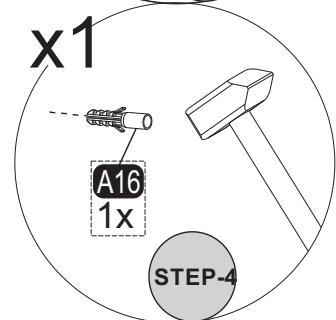
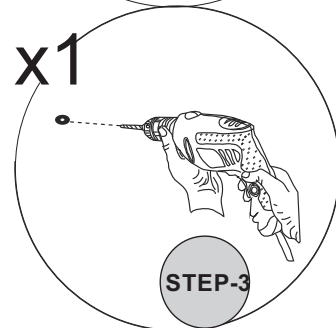
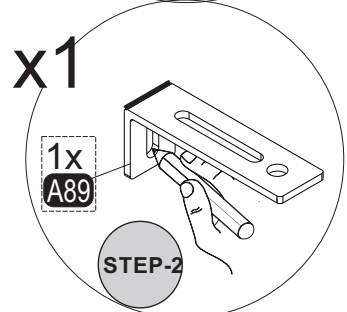
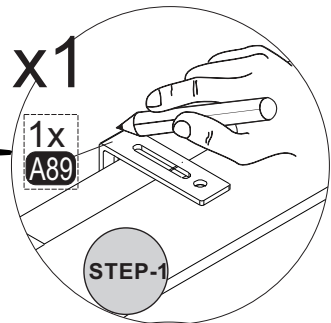
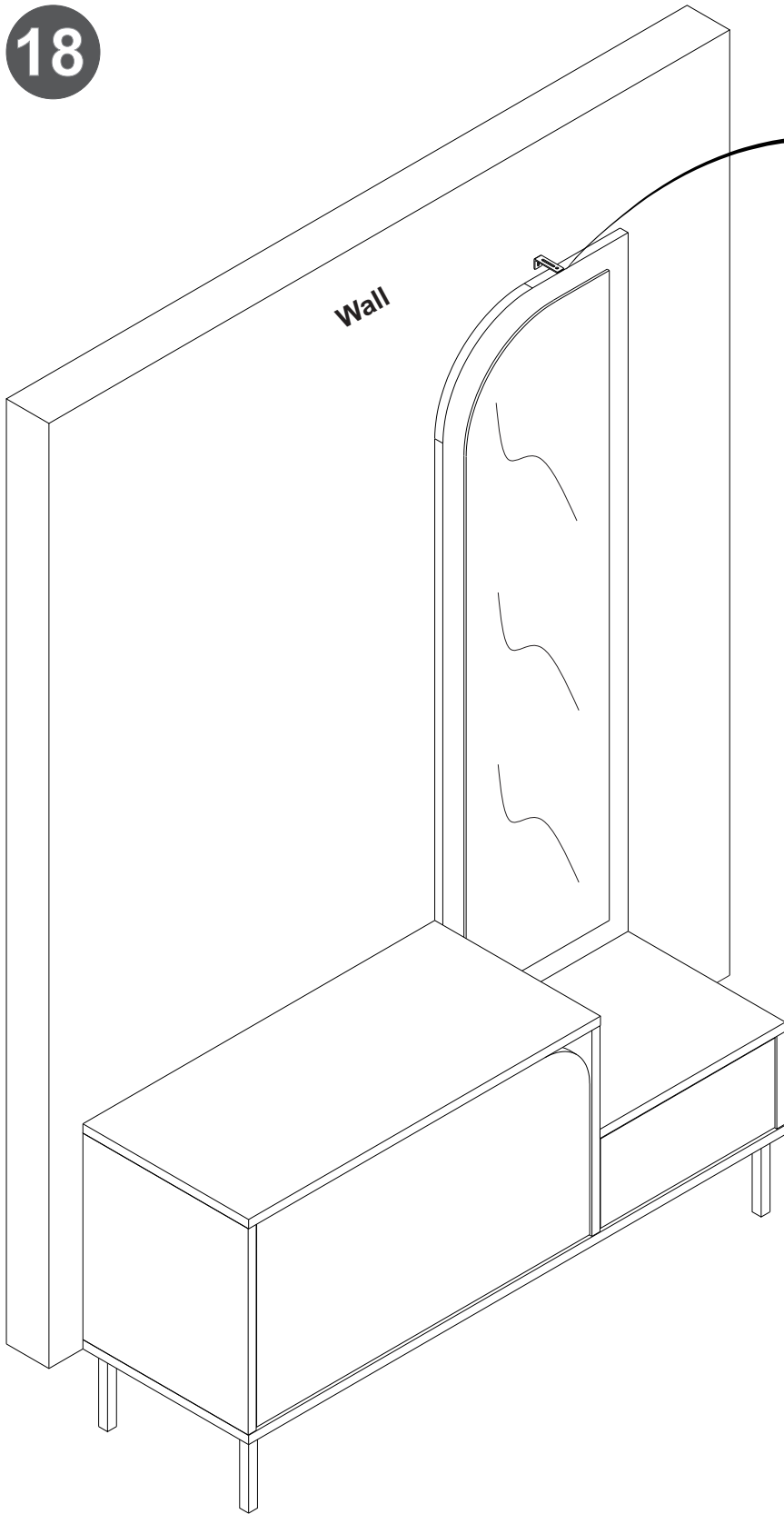
16




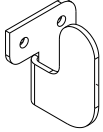


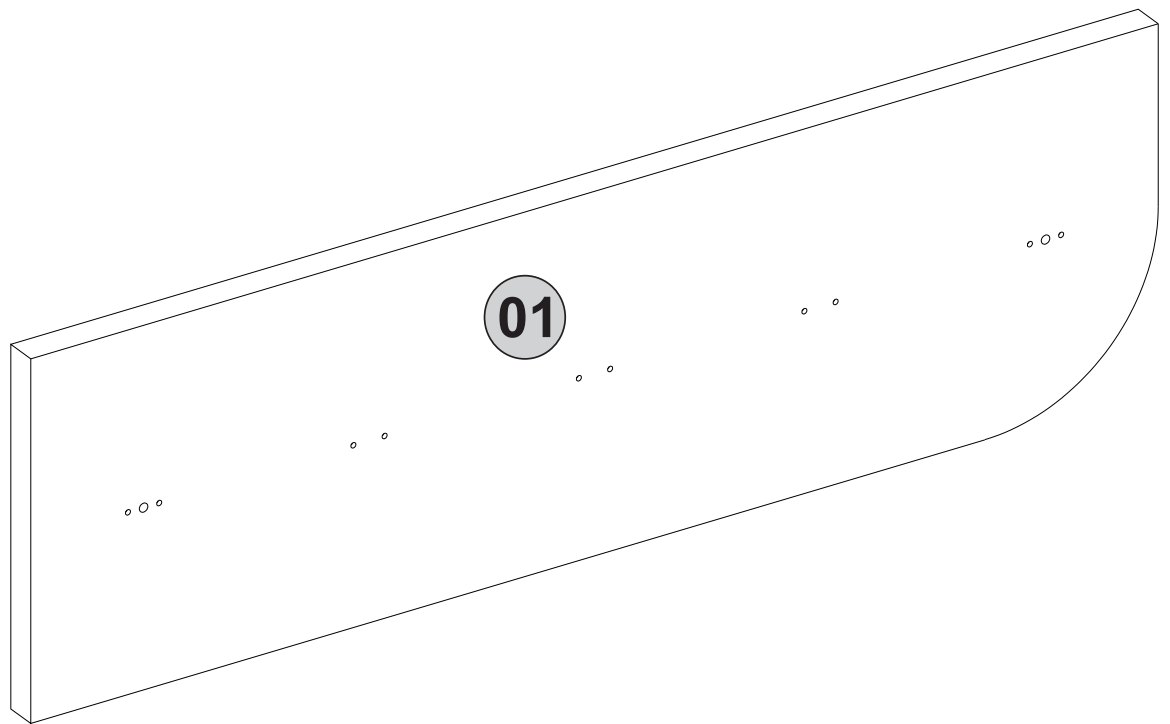
17



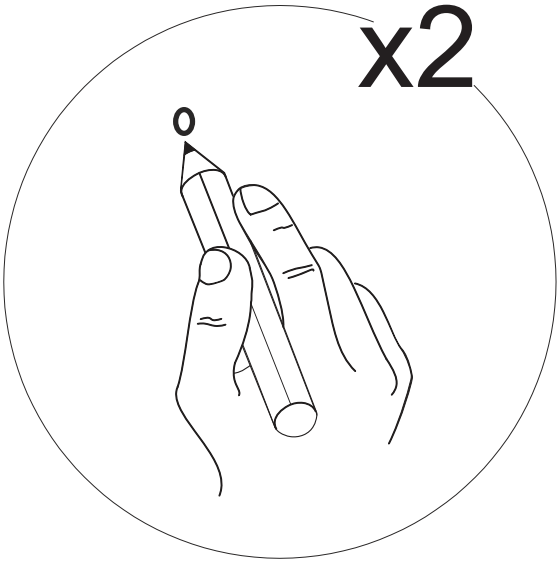
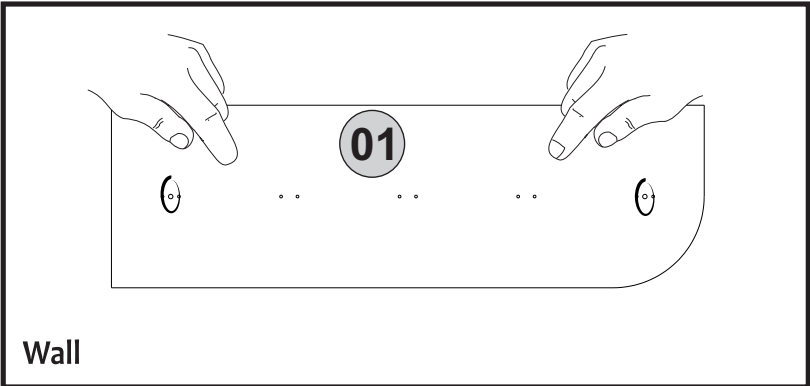
18



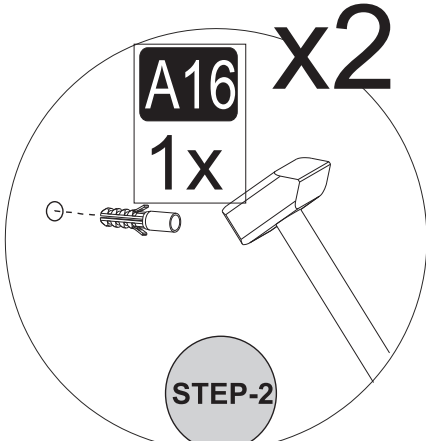
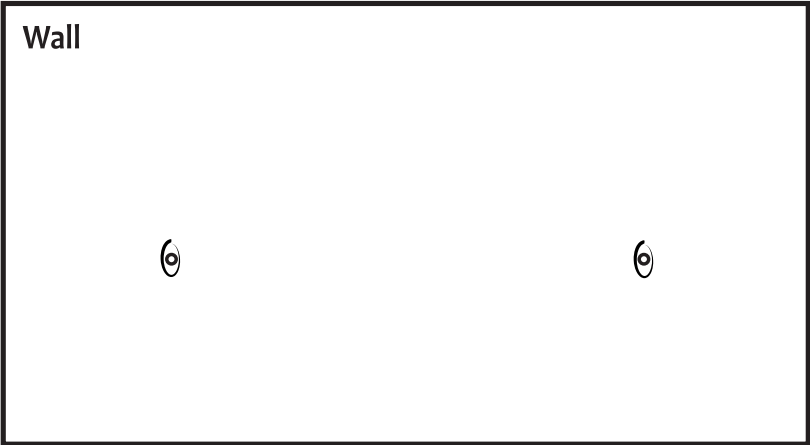
<b>A50</b>  <b>10x</b>	<b>A33</b>  <b>2x</b>	<b>A16</b>  <b>2x</b>	<b>Z153</b>  <b>5x</b>
---	--	--	---



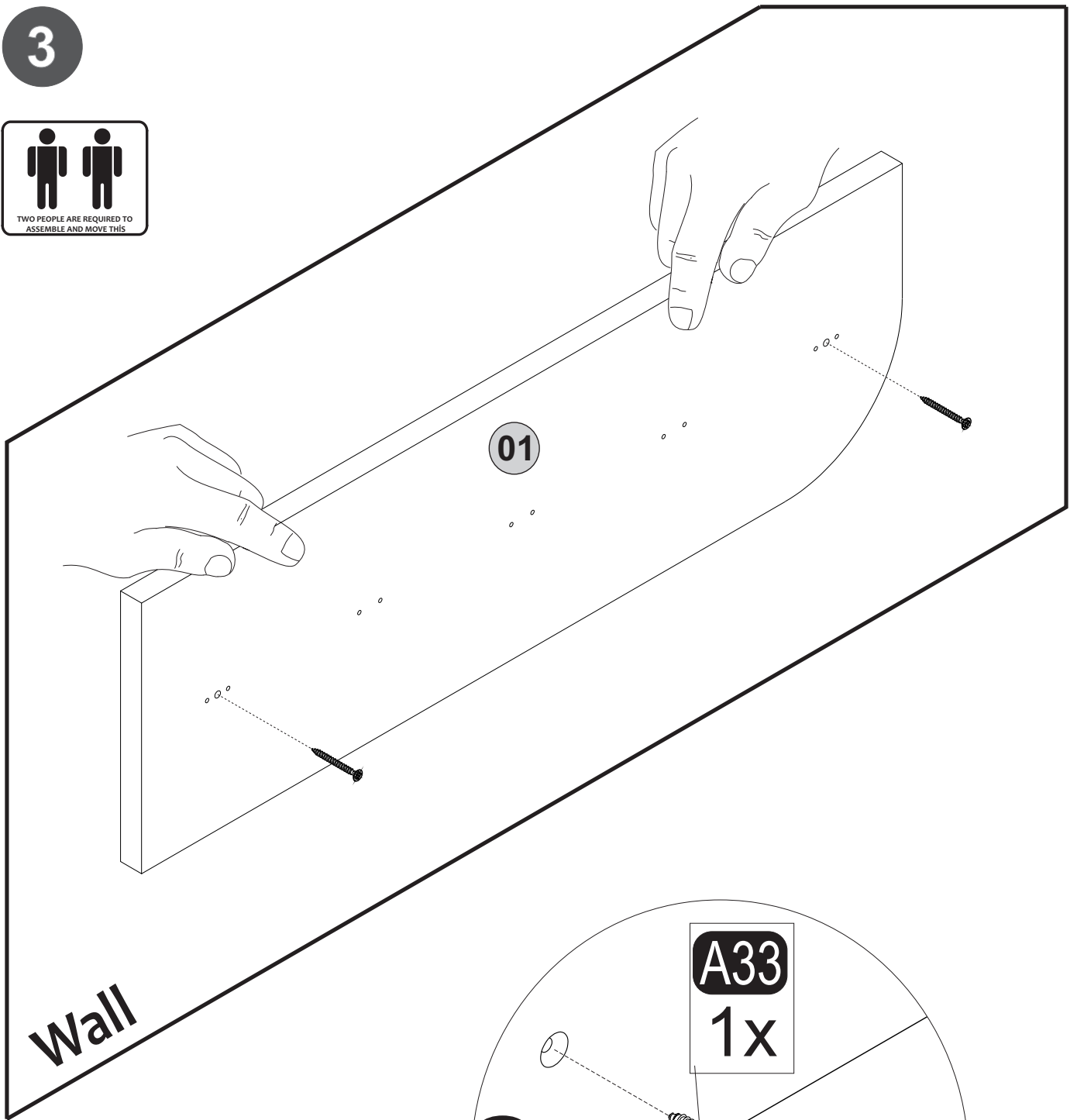
1



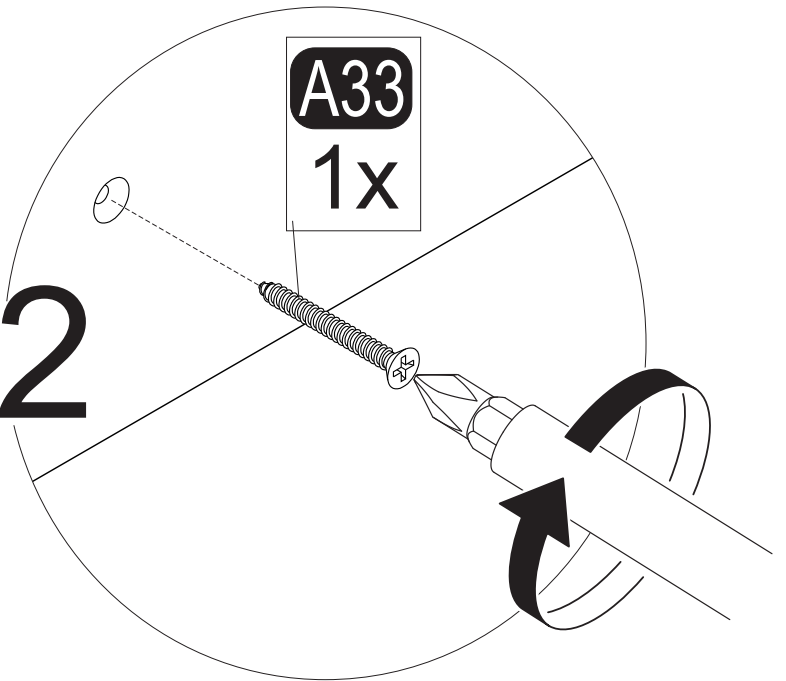
2



3



x2



4

