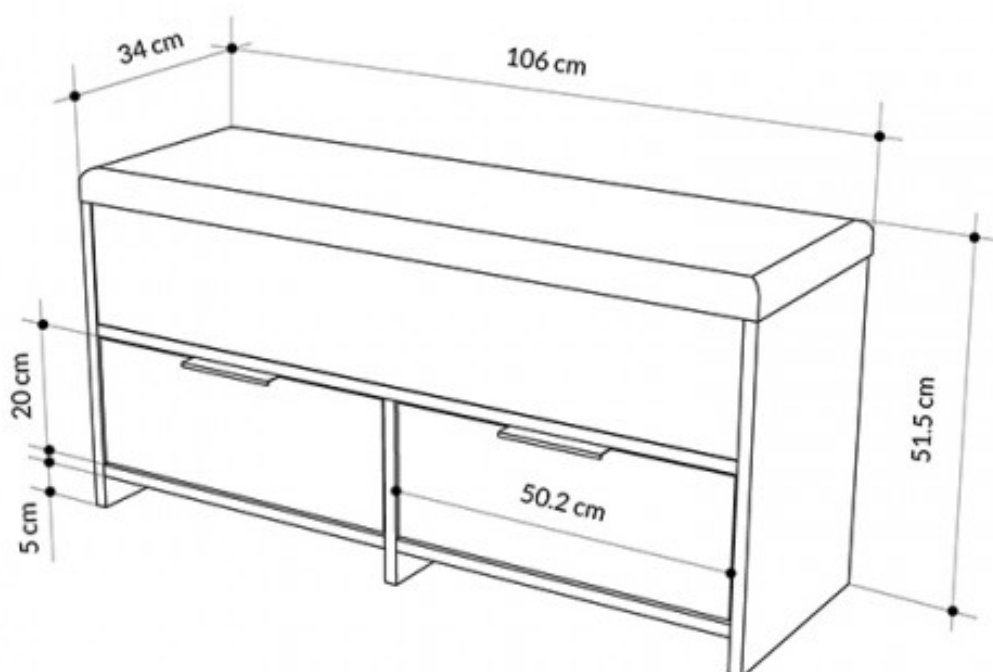




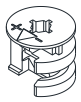

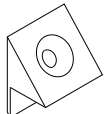


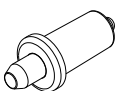

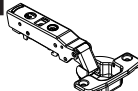
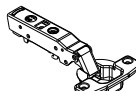
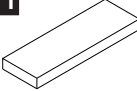
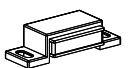
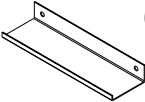
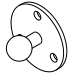
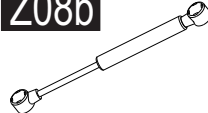

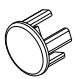
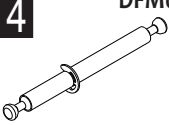
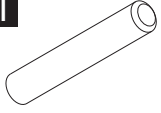
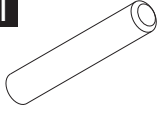
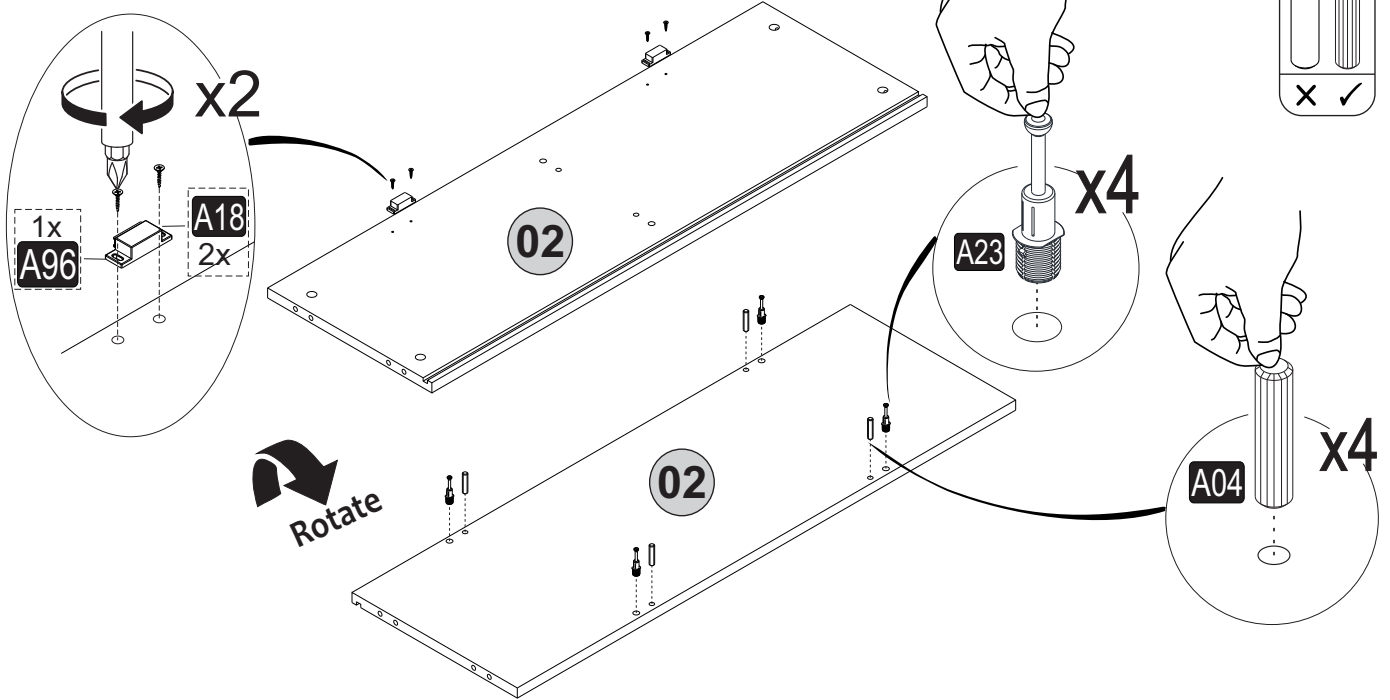


i GP037-0204,1

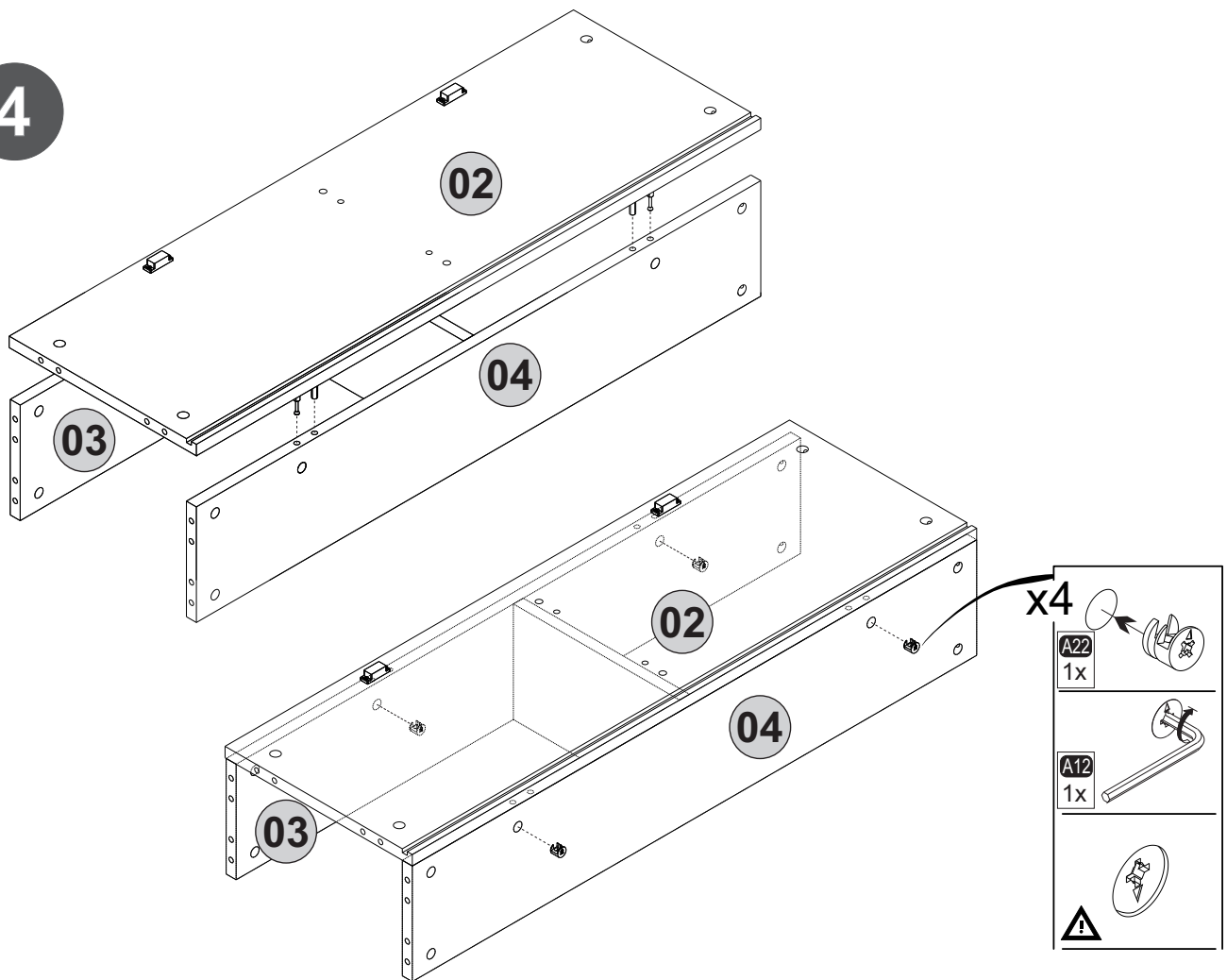


A04  Ø8 26x	A06  18mm C1-30x 8x	A12  Allen 1x	A18  3,5x18 39x	A22  Minifix k18 30x
A23  Minifix M10 26x	A25  ARK.PL 8x	A50  3,5x16 (Black) 4x	A64  Makas 2x	A65  Mil Menteşe 4x
C20  Mtk(S) 2x	C14  Dm(S) 1x	C17  DmF(S) 1x	PB01  Kece 6x	A96  MÇP 2x
Z51  K128mm (black) 2x	Z08a  KKP 1x	Z08b  KKP 1x	Z08c  KKP 1x	Z08d  KKP 2x
A14  DFM6-86 2x				A41  Ø8x55 2x

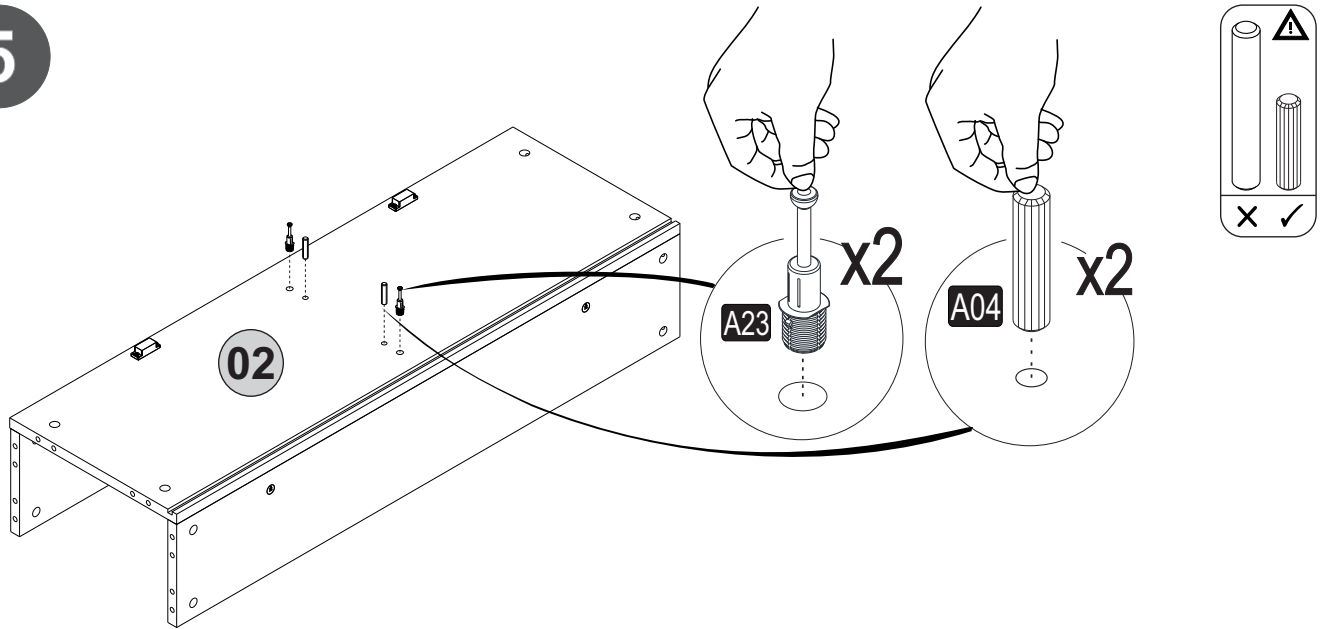
3



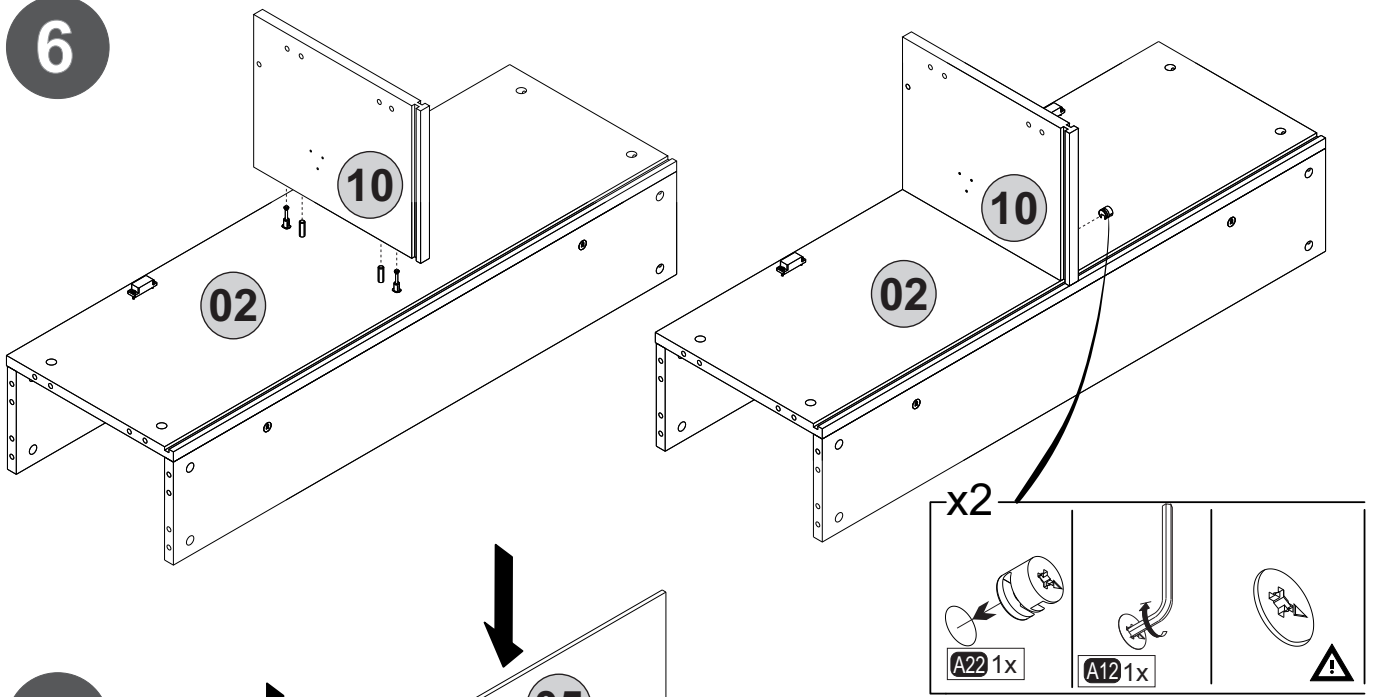
4



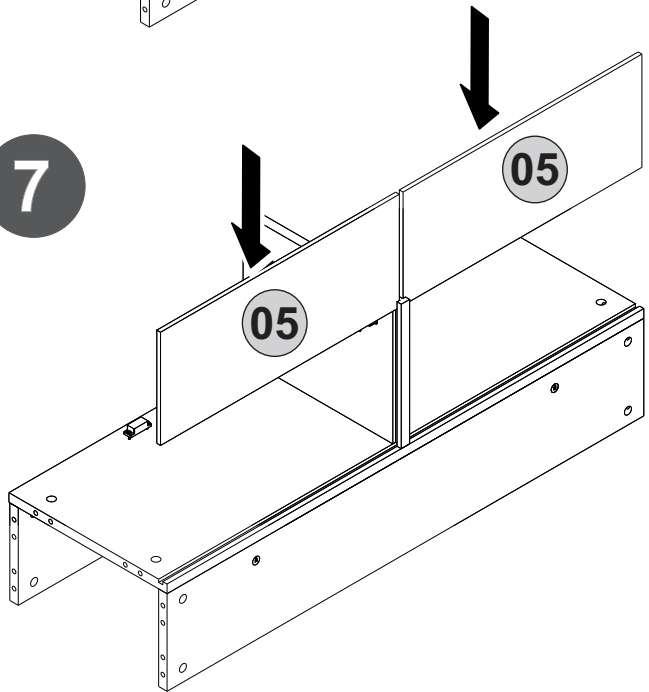
5



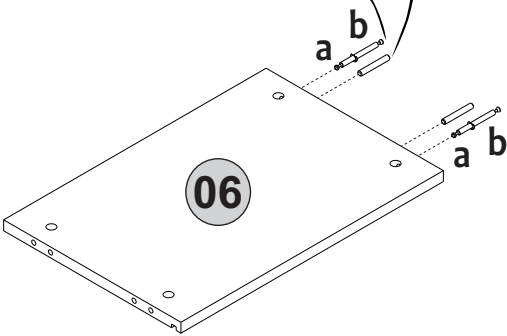
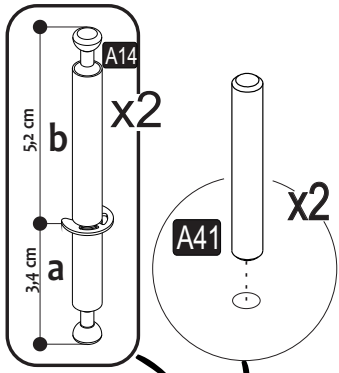
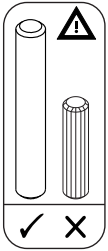
6



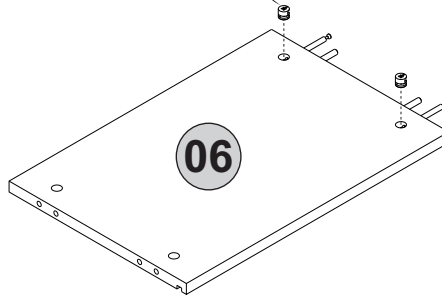
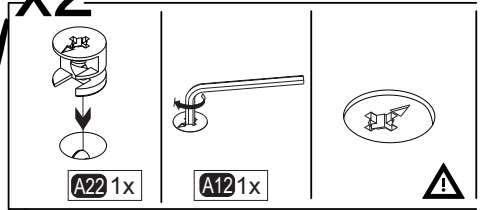
7



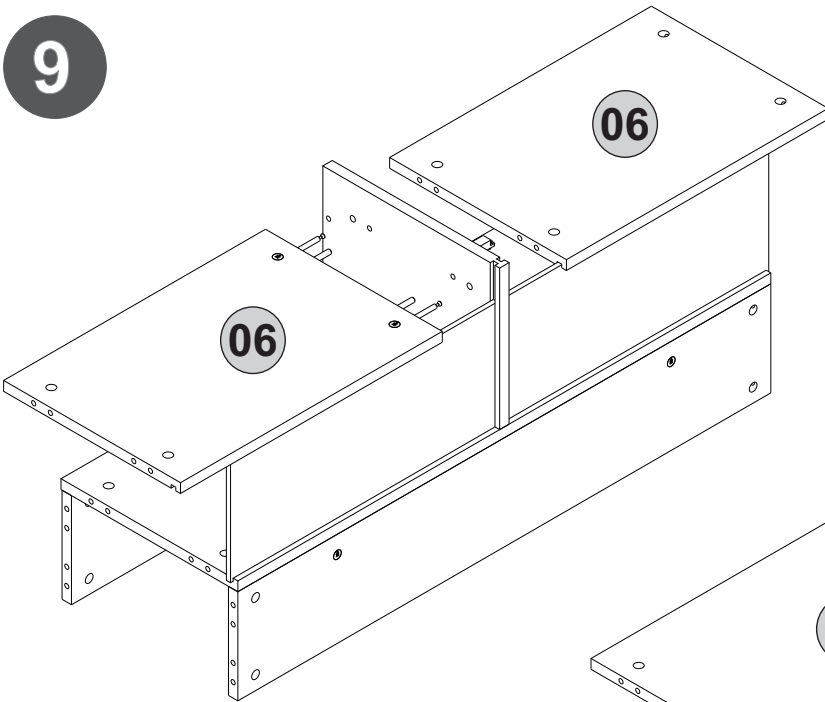
8



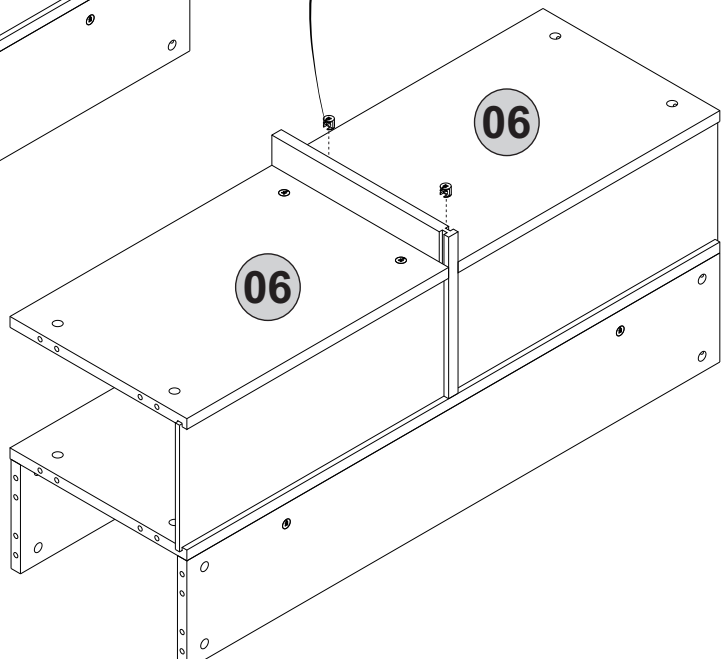
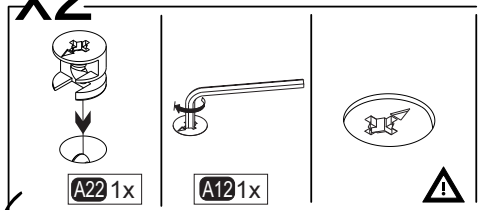
x2



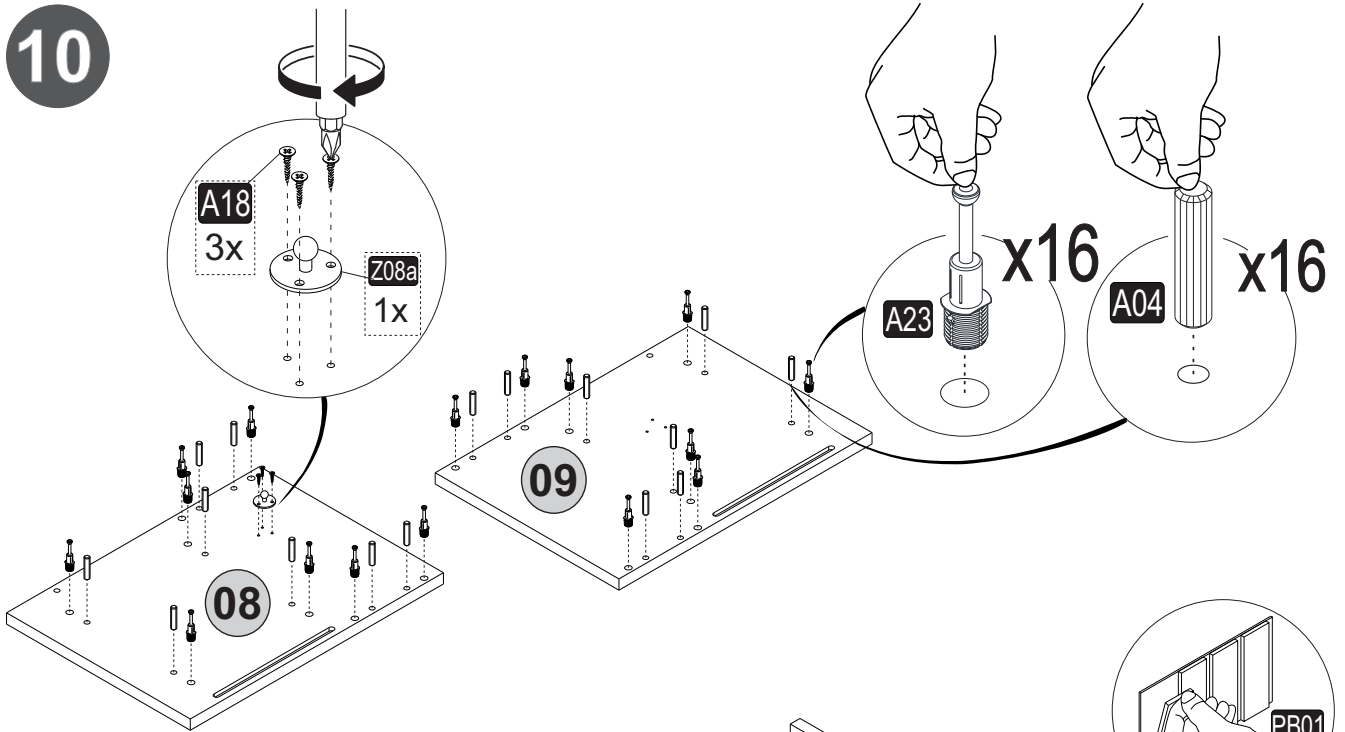
9



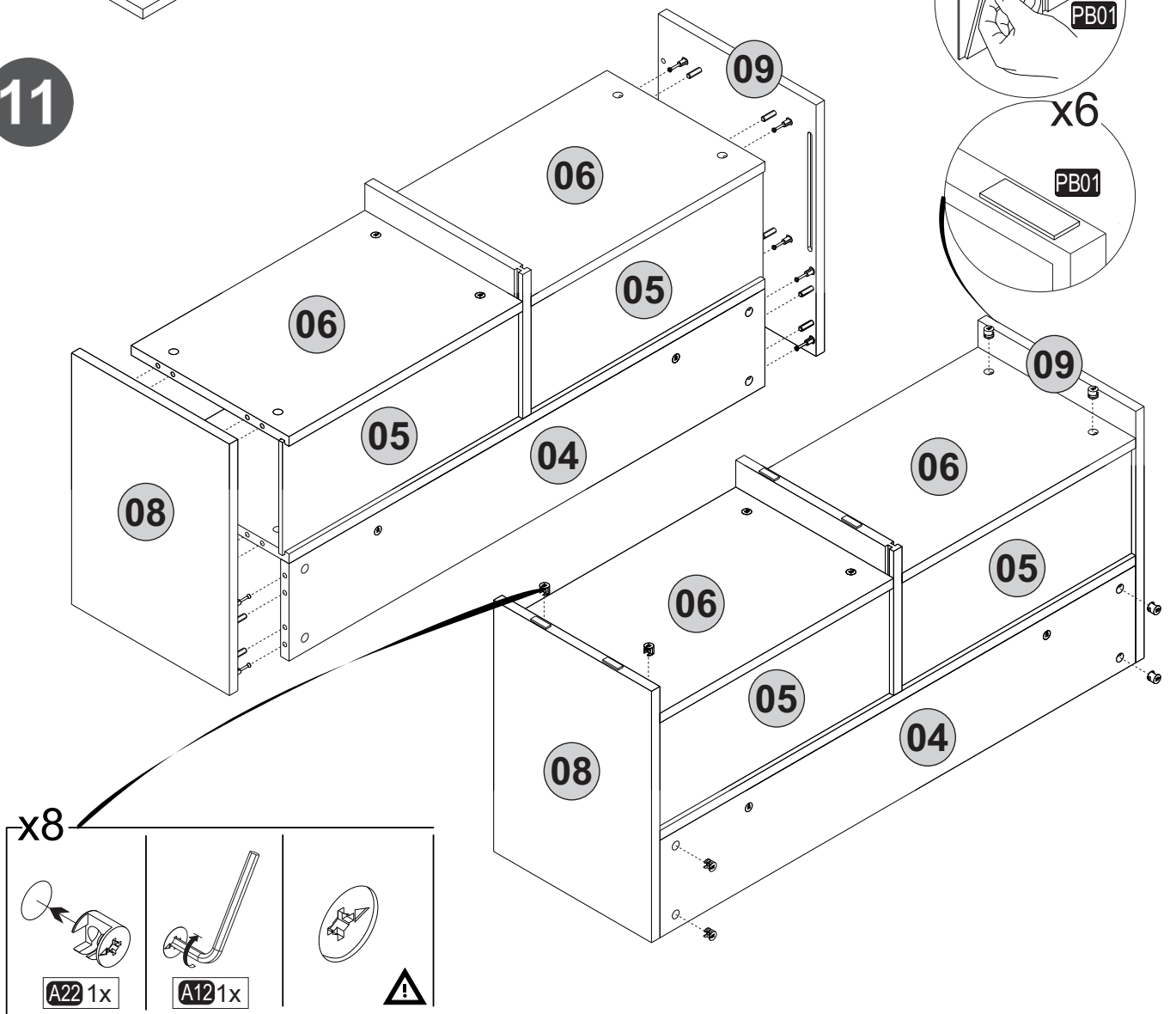
x2



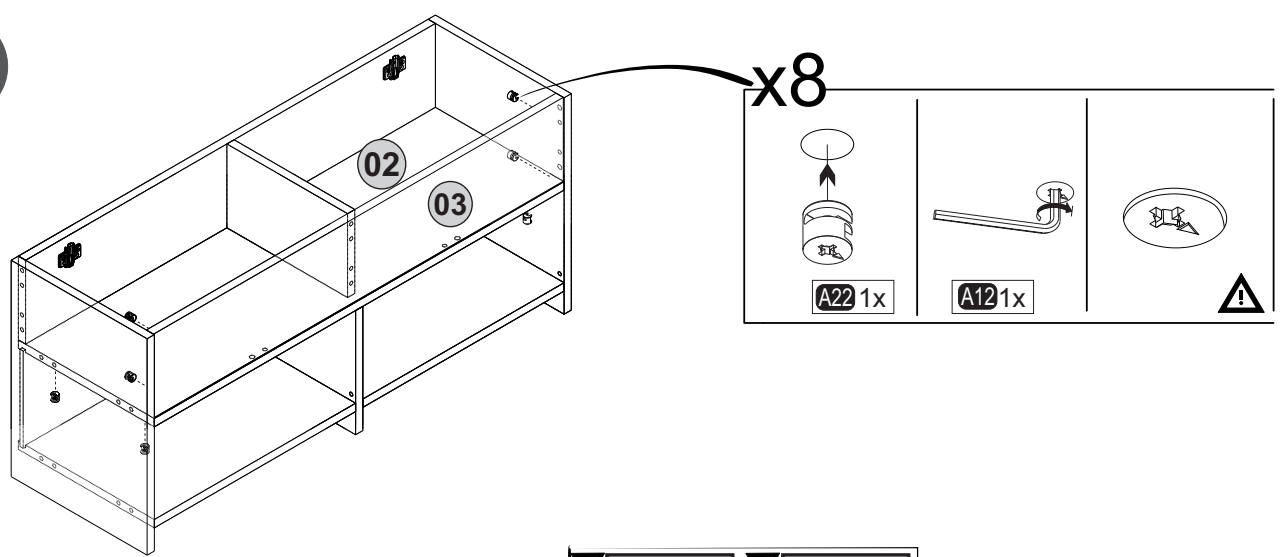
10



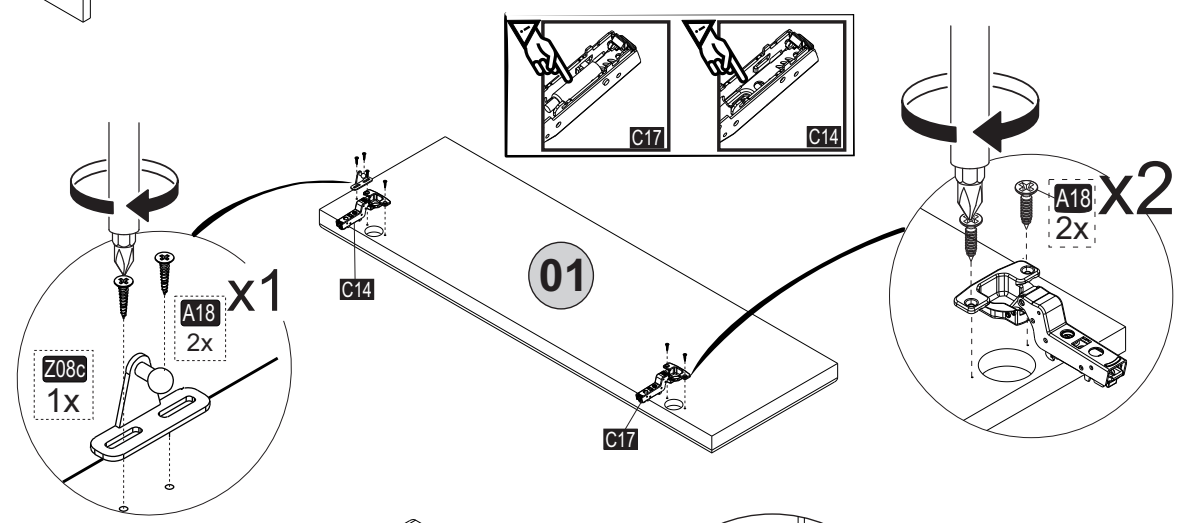
11



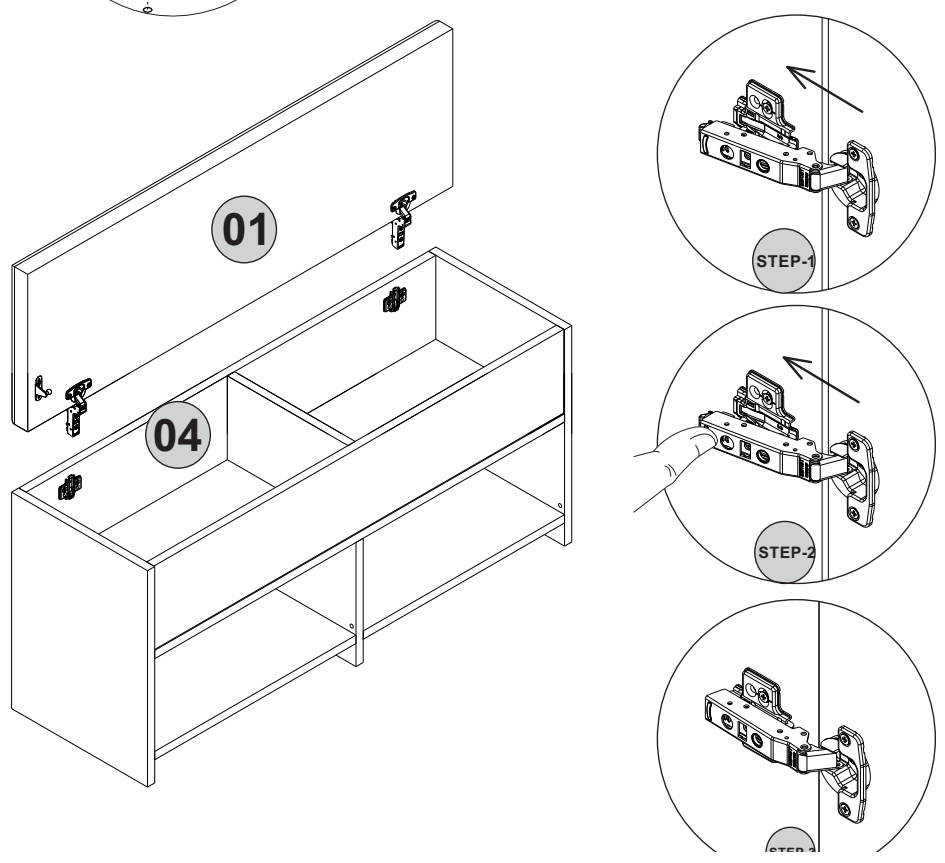
12



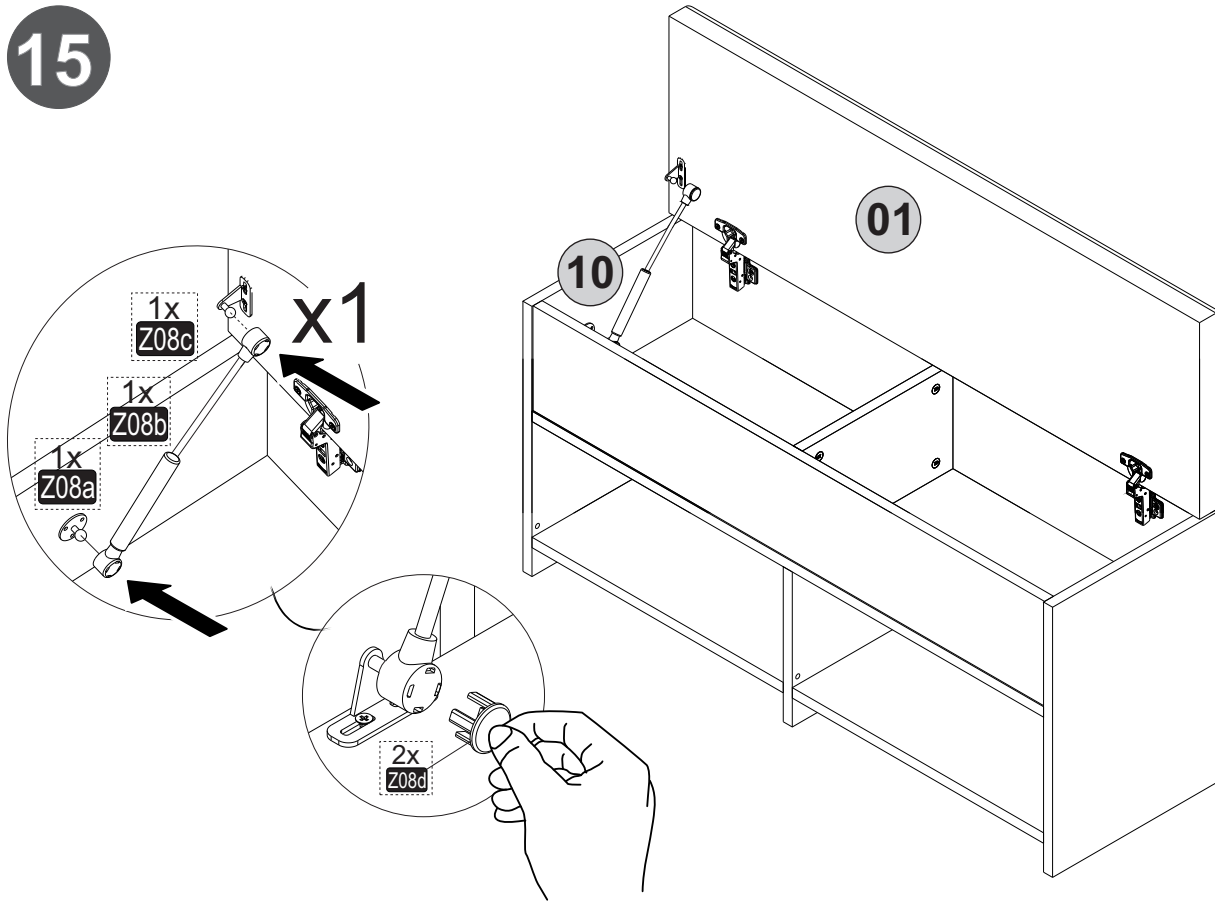
13



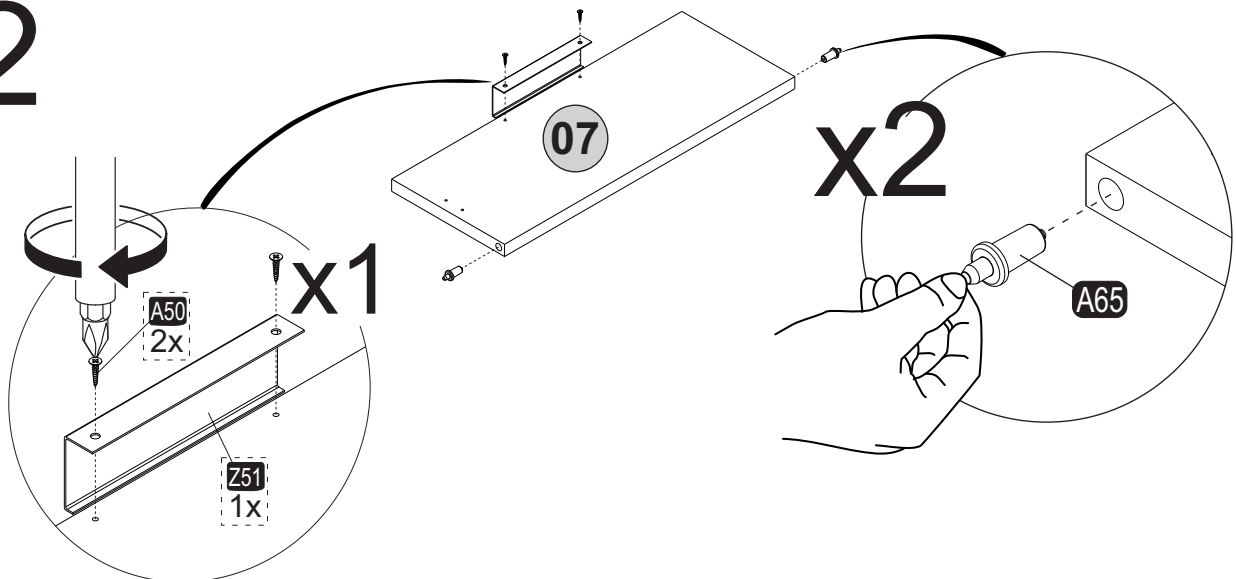
14



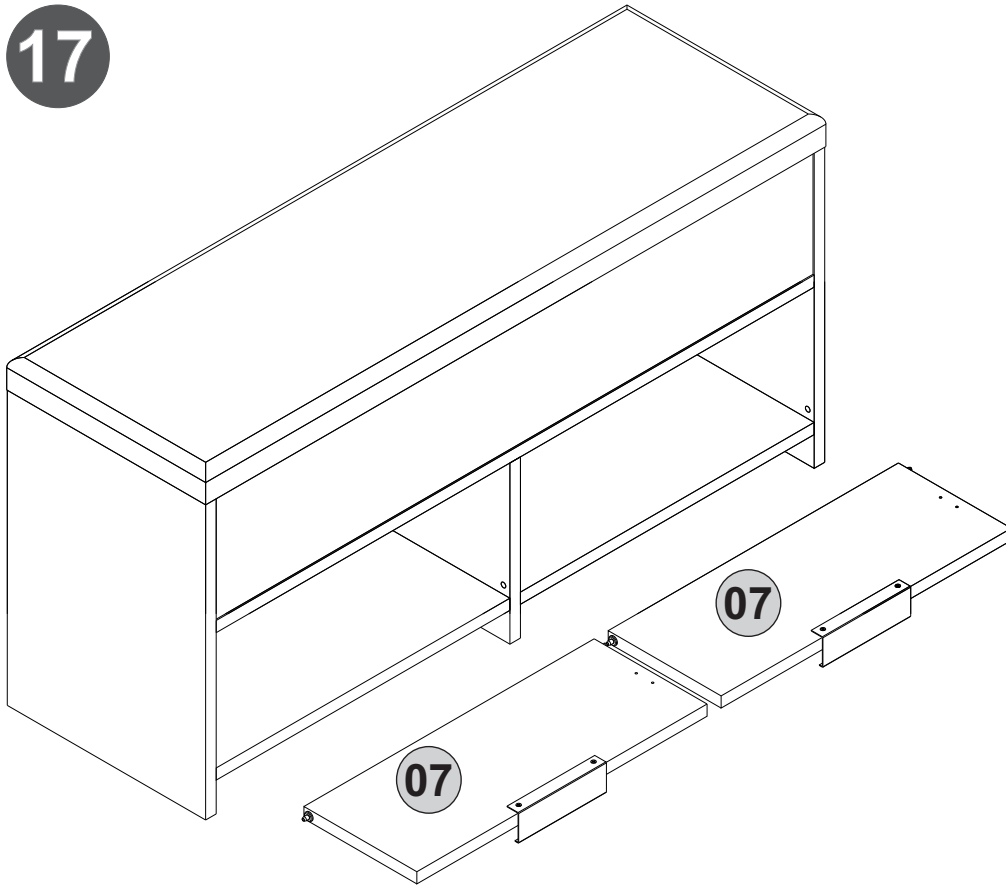
15



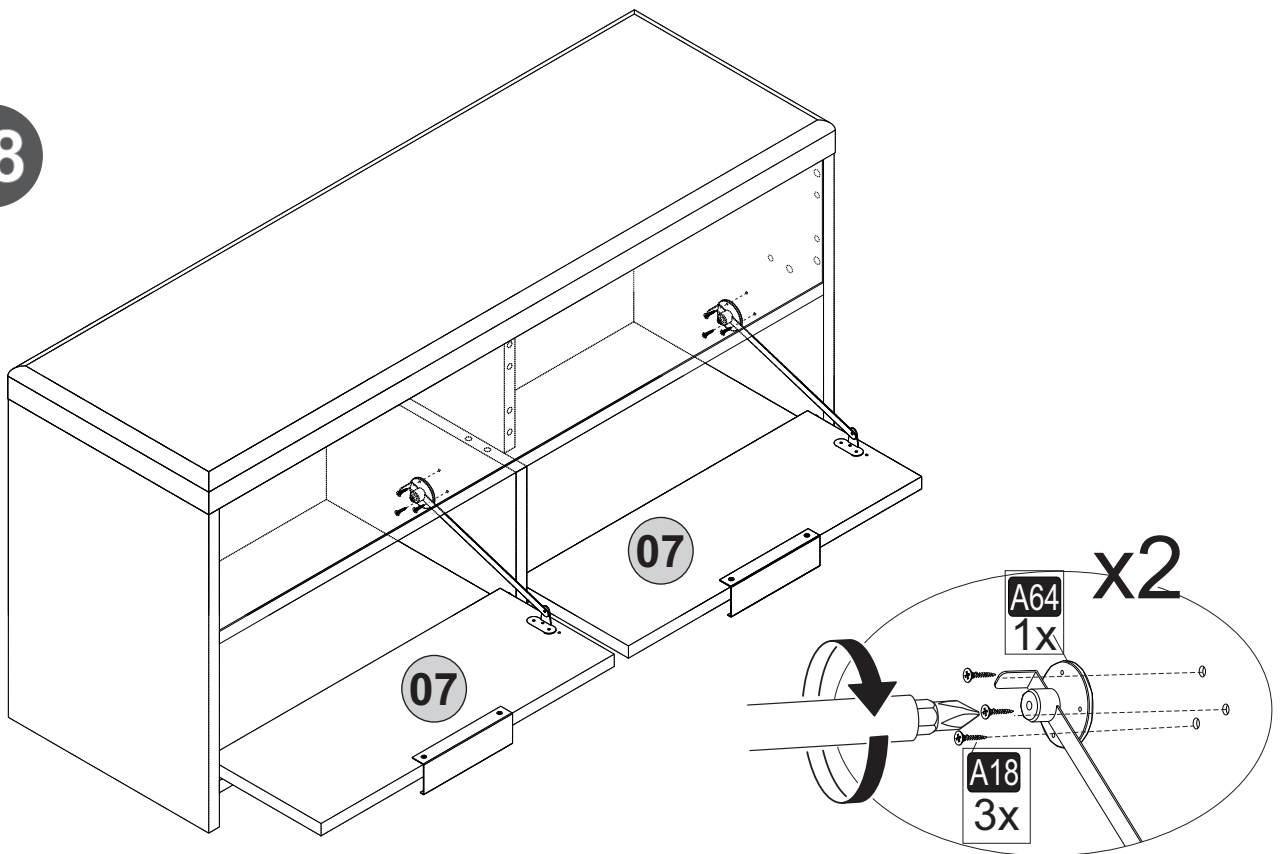
16
x2



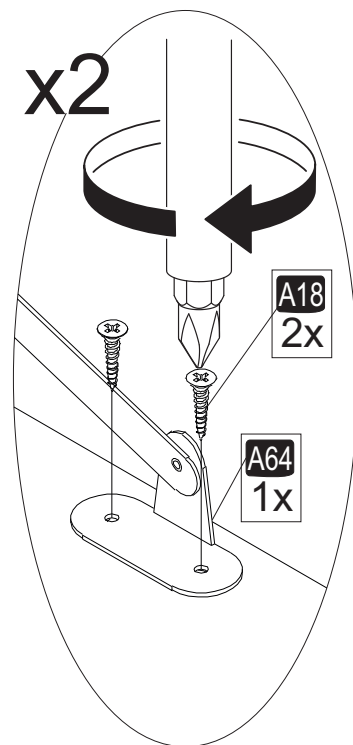
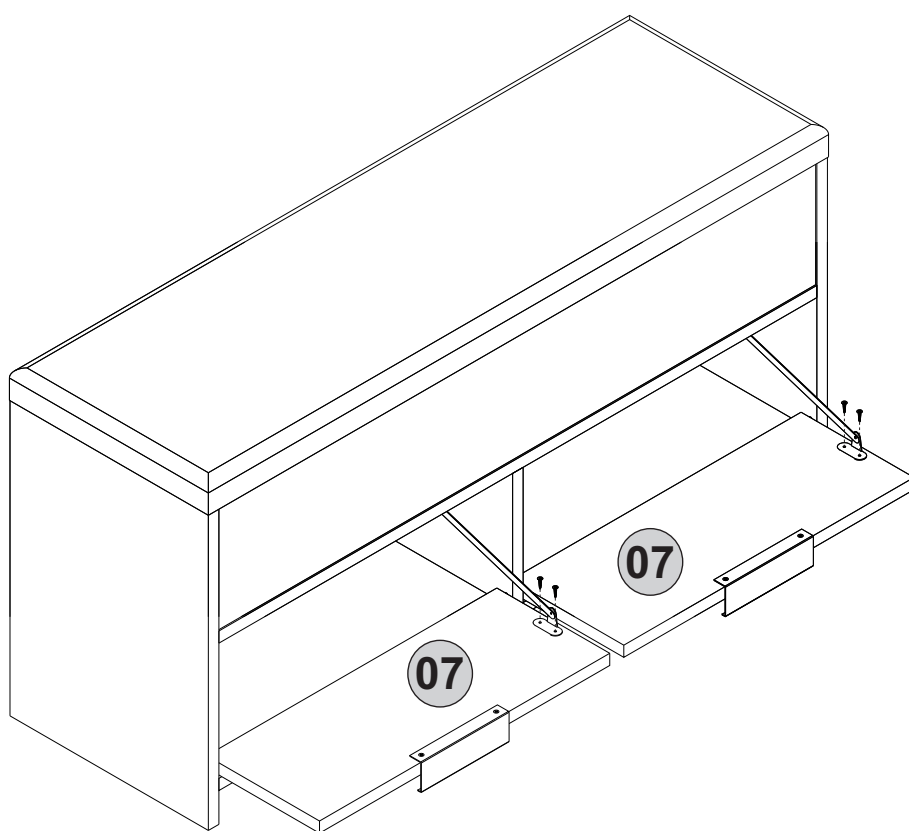
17



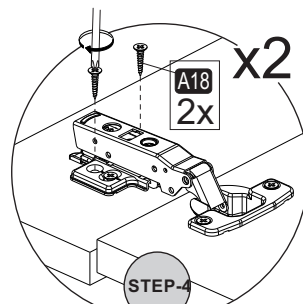
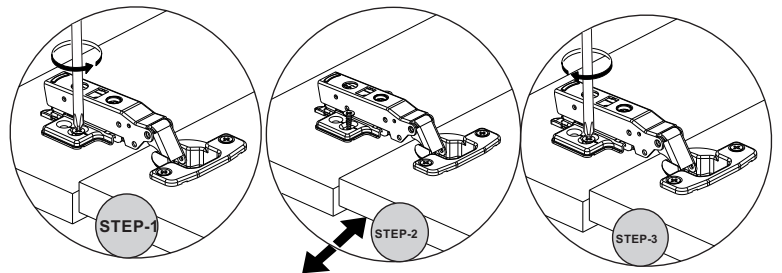
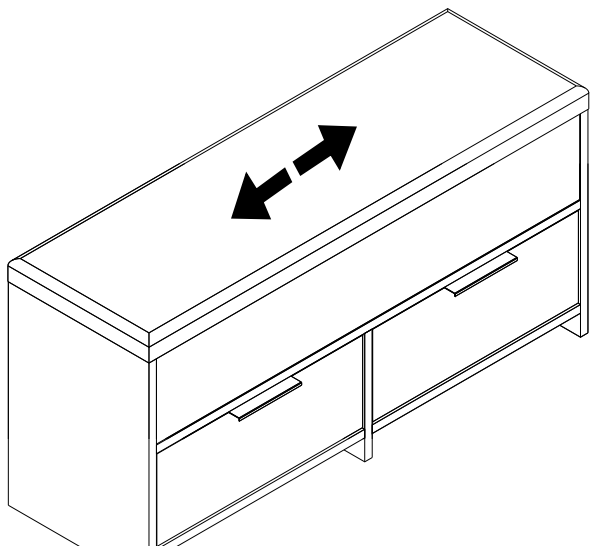
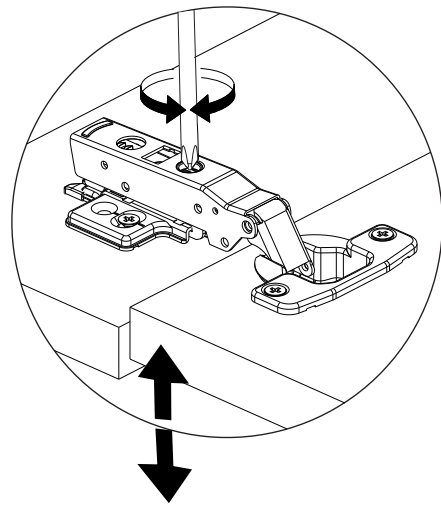
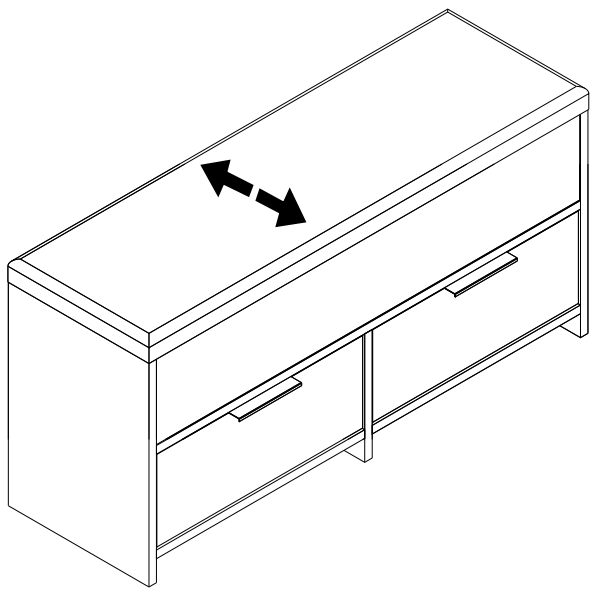
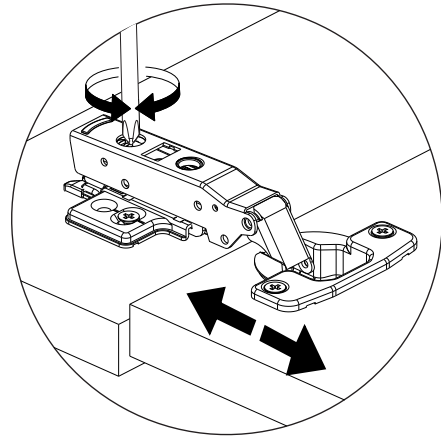
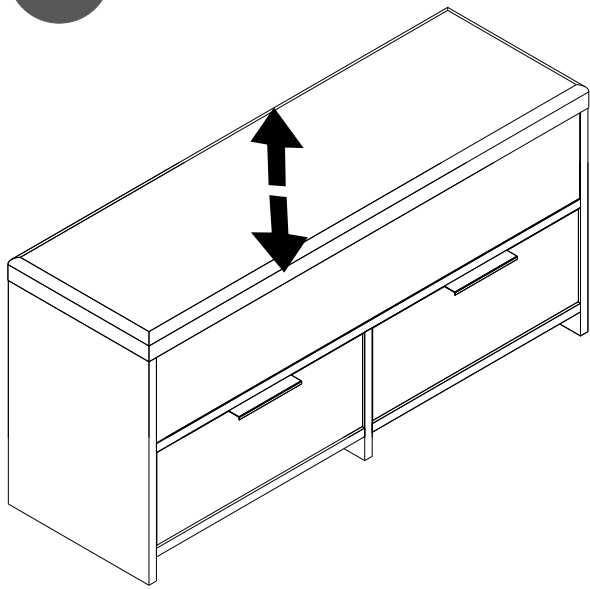
18



19



20



21

