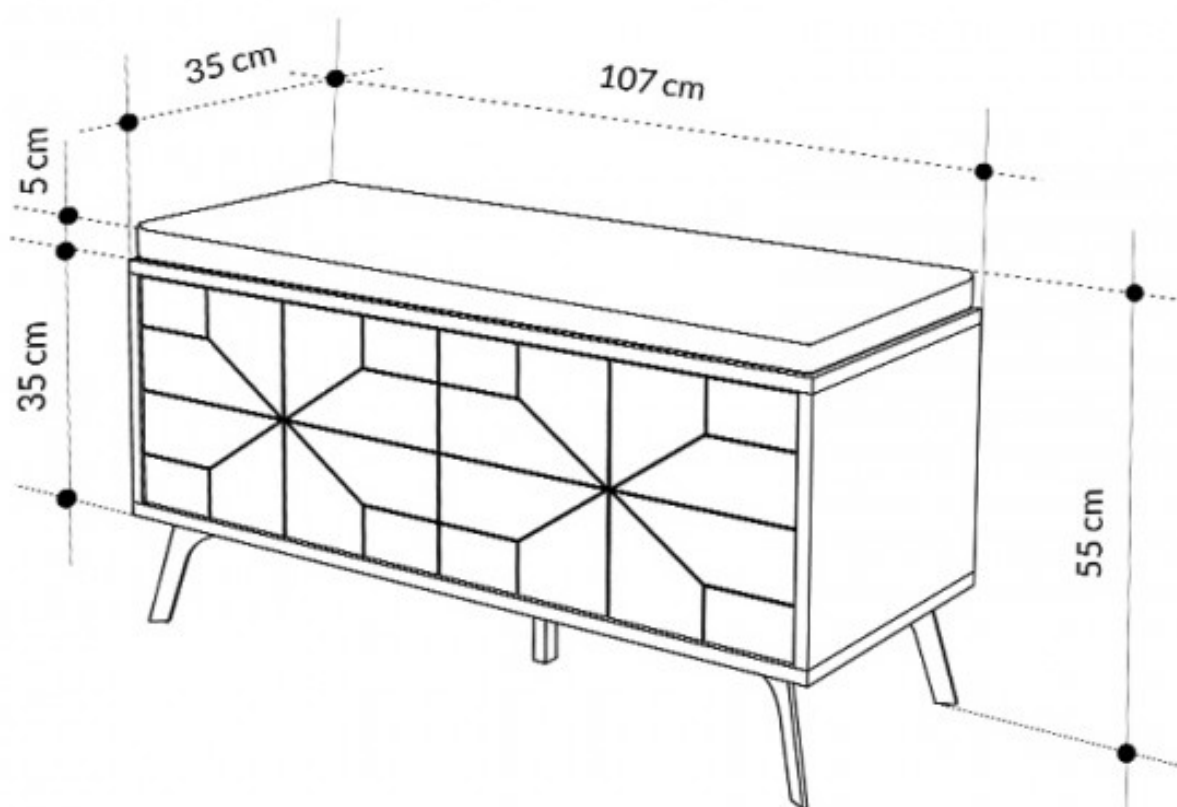


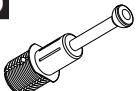

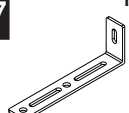



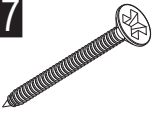

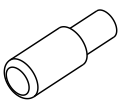
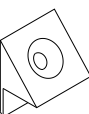
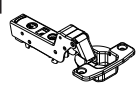
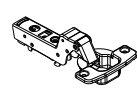
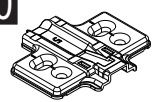
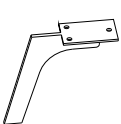

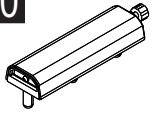
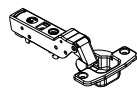
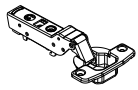

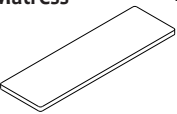

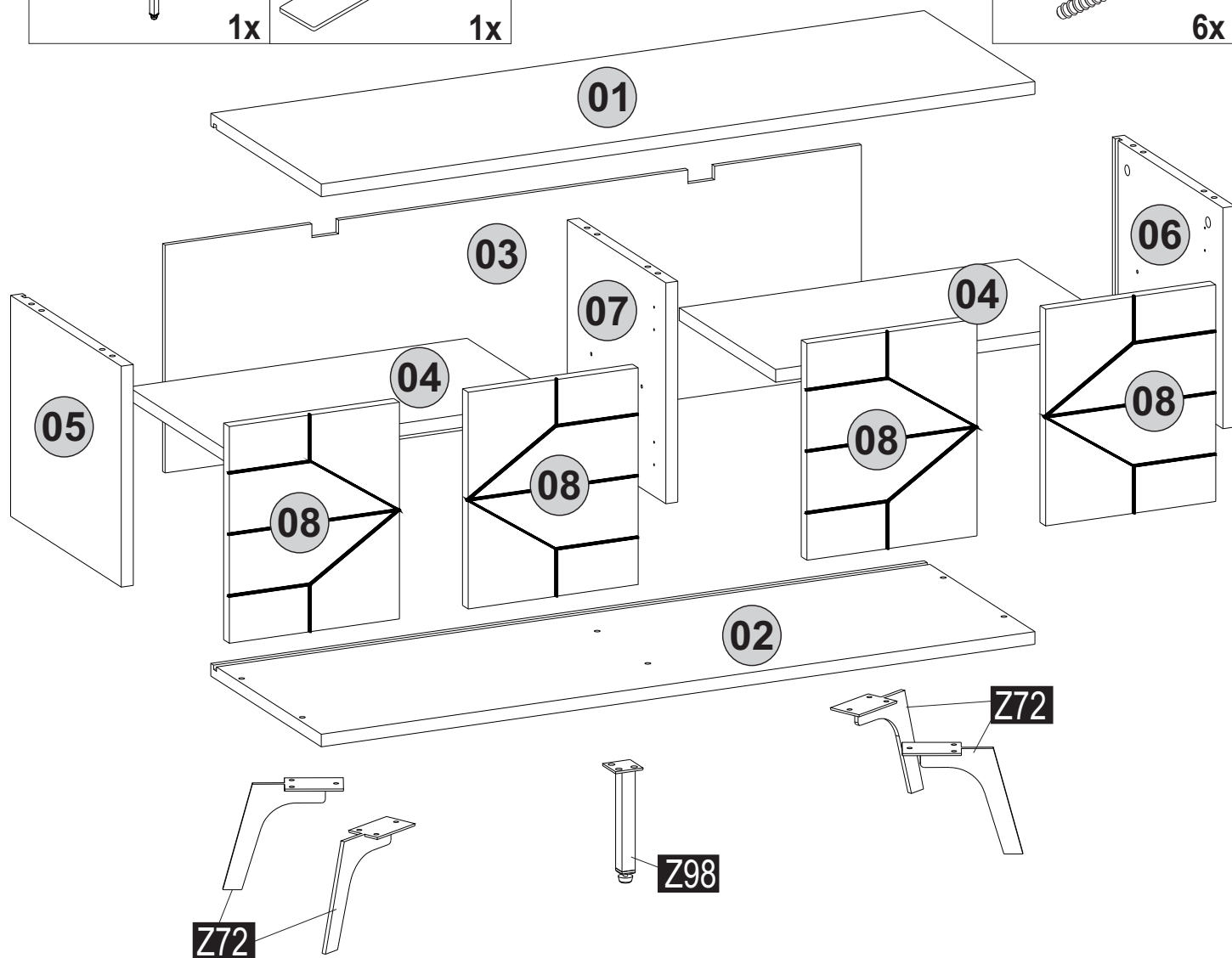
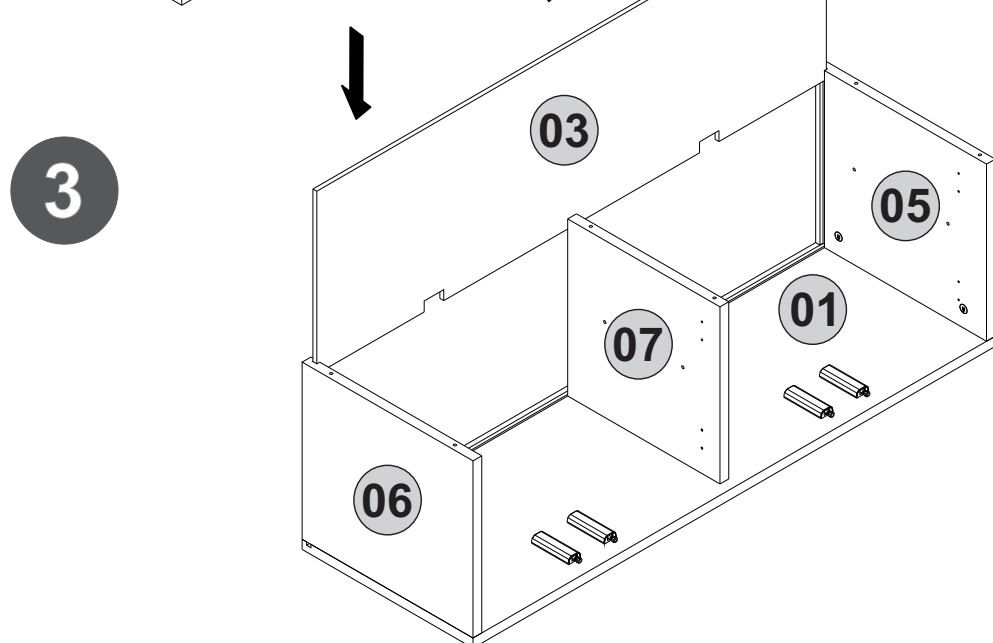
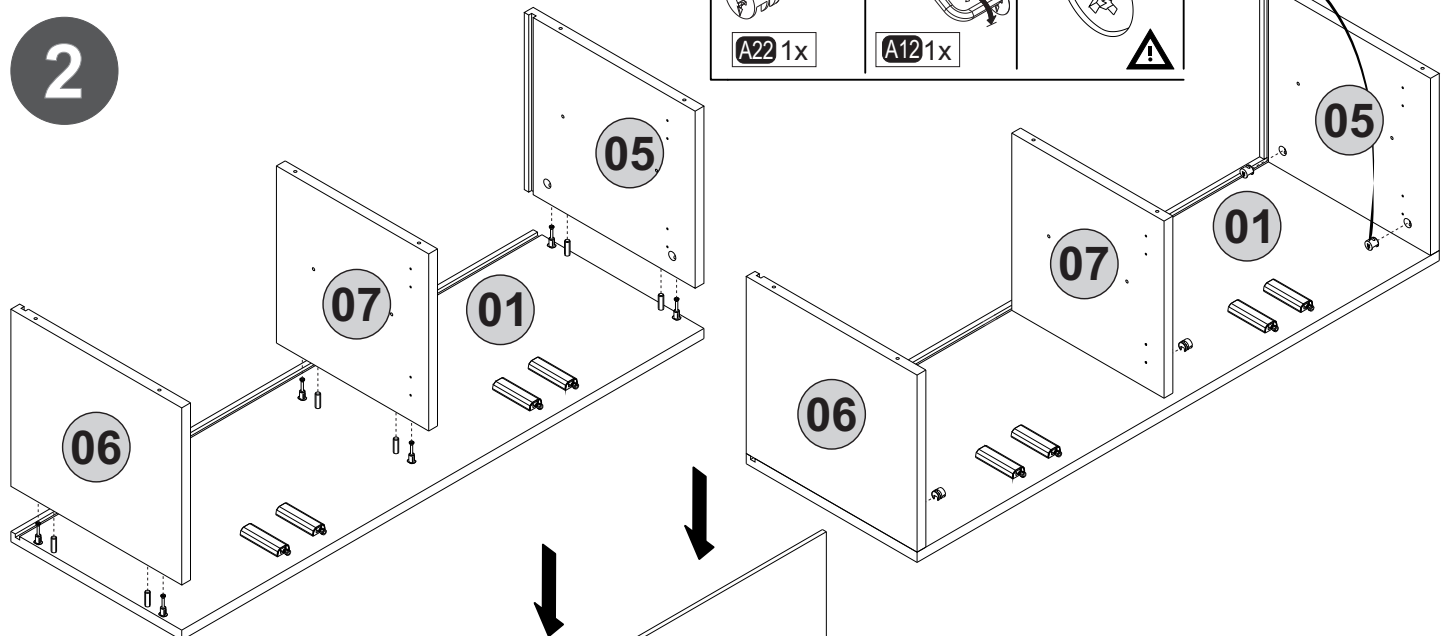
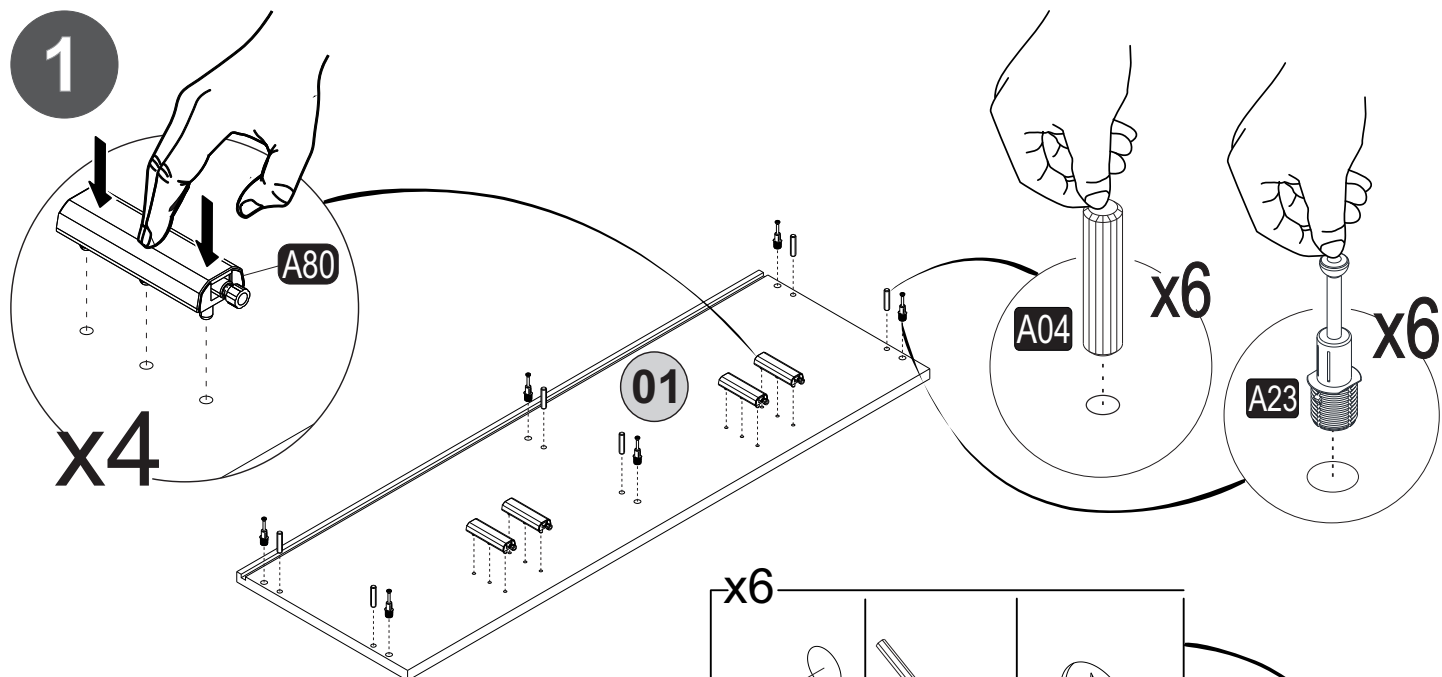


i GP037-0211,1

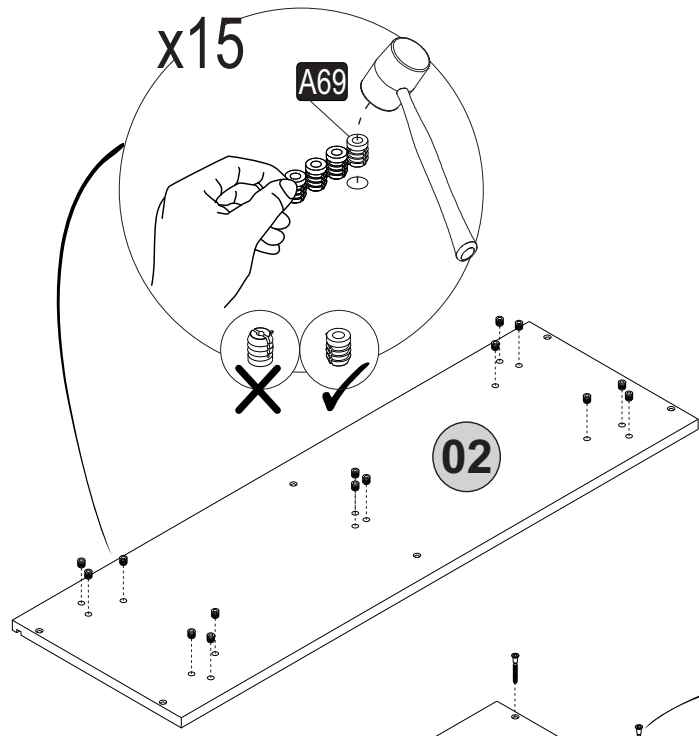


A04 Ø8x30  6x	A22 Minifix k18  6x	A23 Minifix M10  6x	A06 18mm  C1-12x	A87 15x90x30  2x
A12 Allen  1x	A69 P.D.  15x	A16 DbØ8  2x	A17 4X50  2x	A18 3,5x18  56x
A48 Raf Pimi  8x	A25 ARK.PL  4x	C16 Sdb(S)  2x	C19 SdbF(S)  2x	C20 Mtk(S)  8x
Z72 PA  4x	B15 15 (black)mm  15x	A80 bas ac  4x	C18 YdbF(S)  2x	C15 Ydb(S)  2x
Z98 AMA 150mm  1x	Matress 1060x340x50  1x			A13 50mm  6x

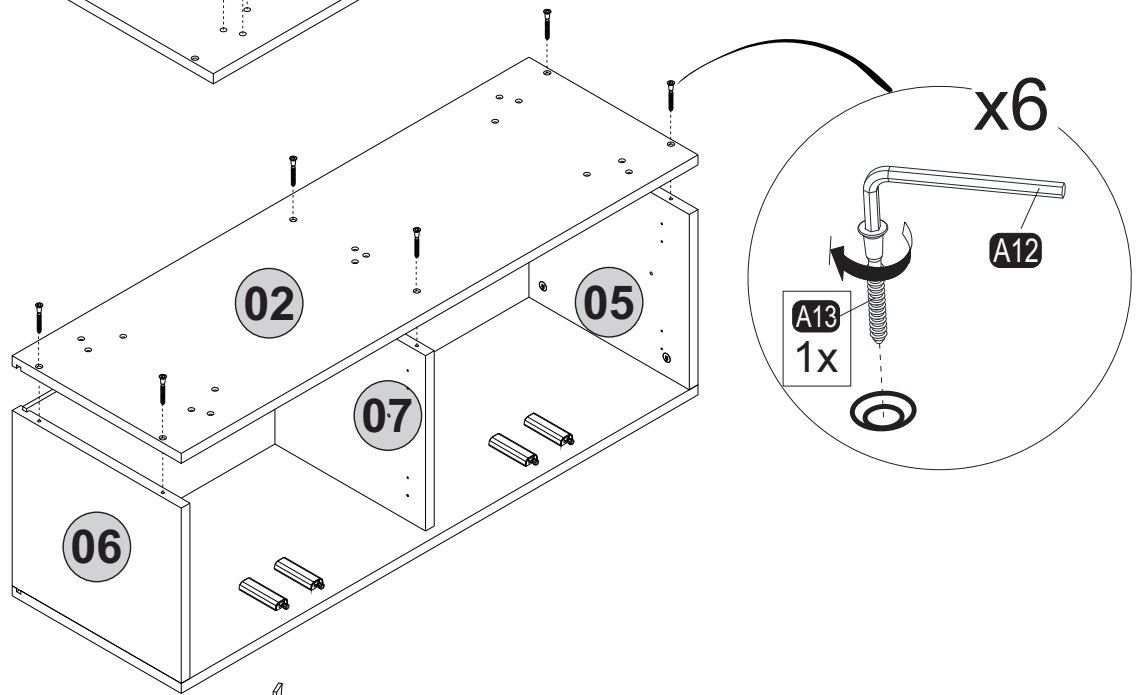




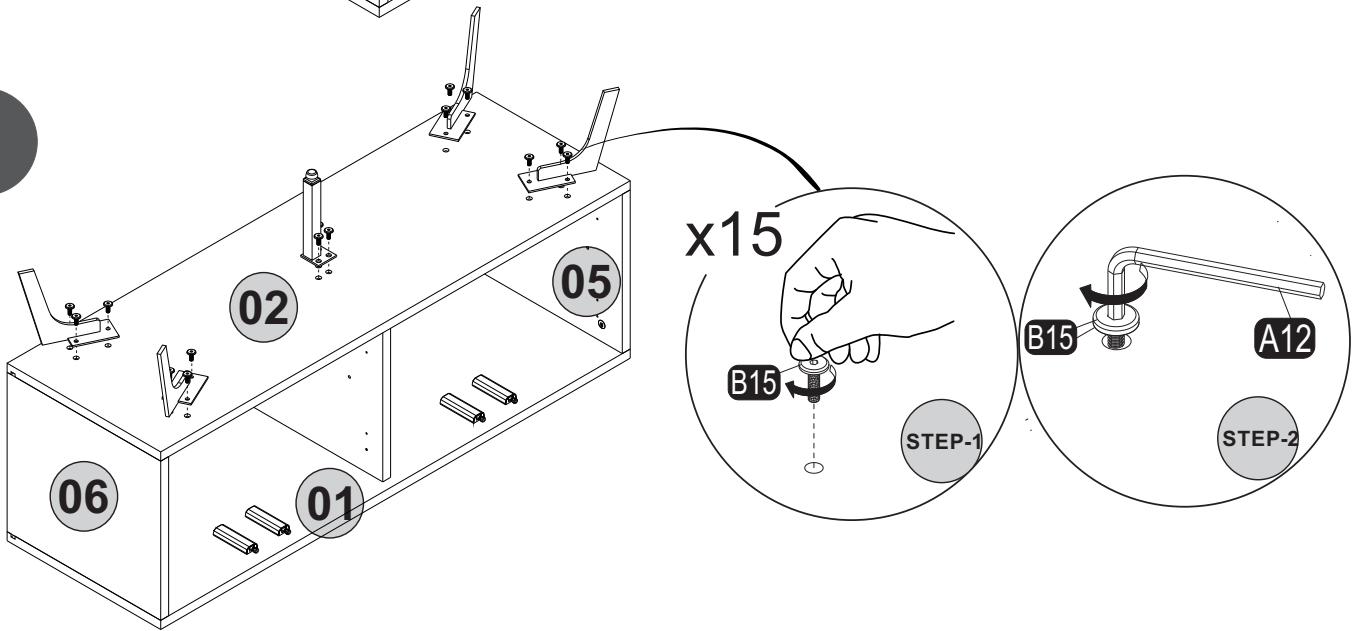
4



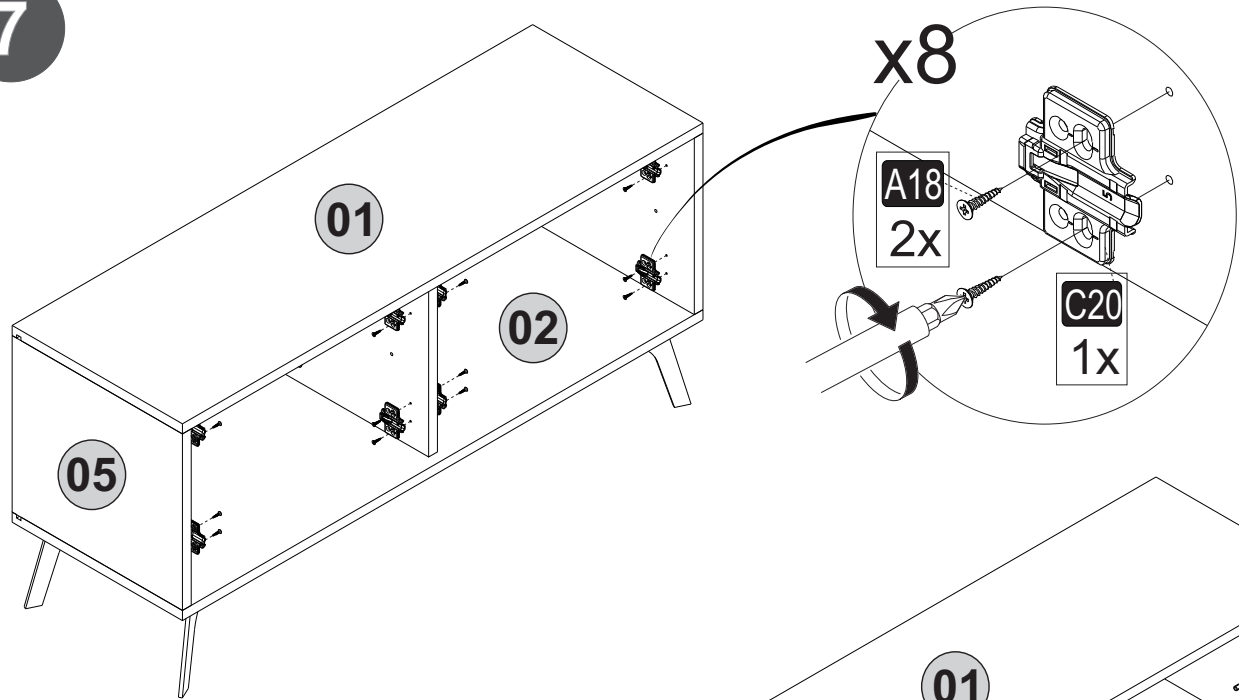
5



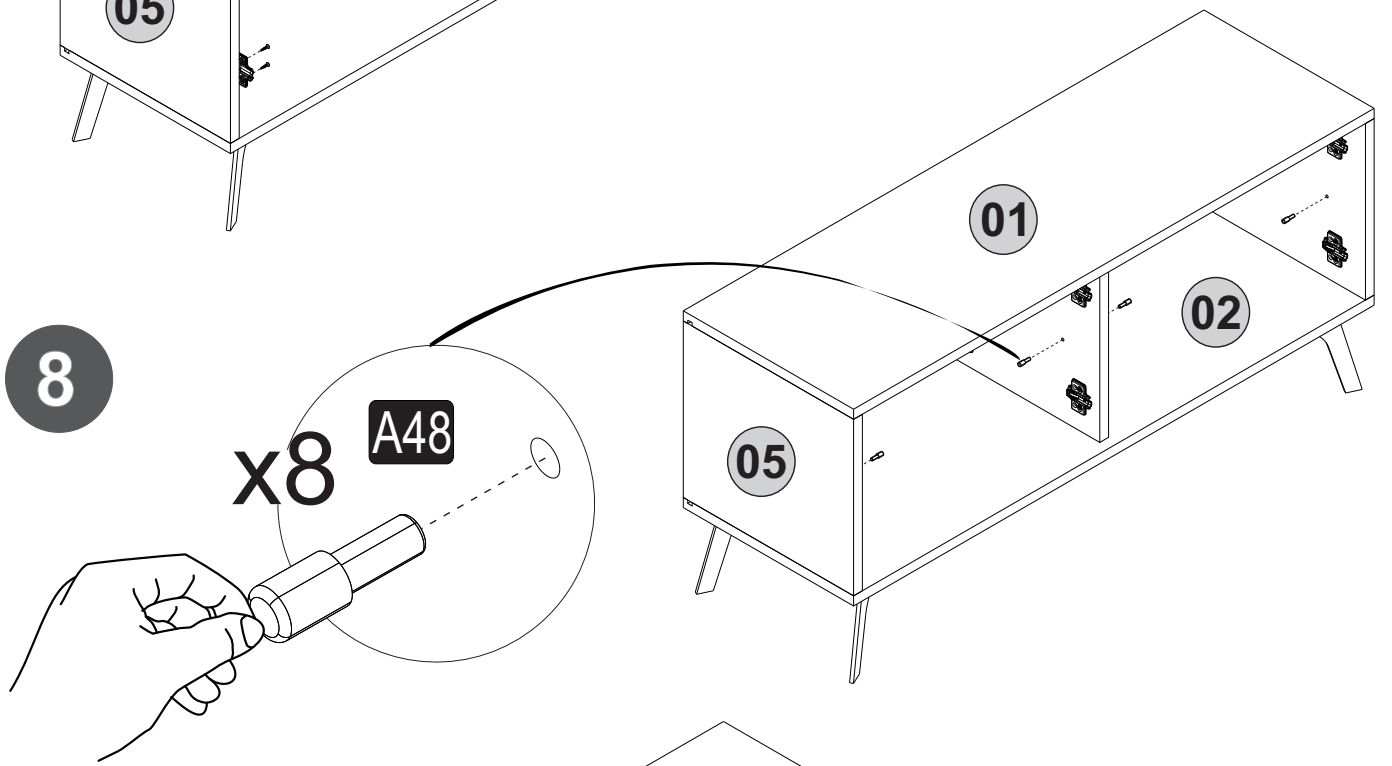
6



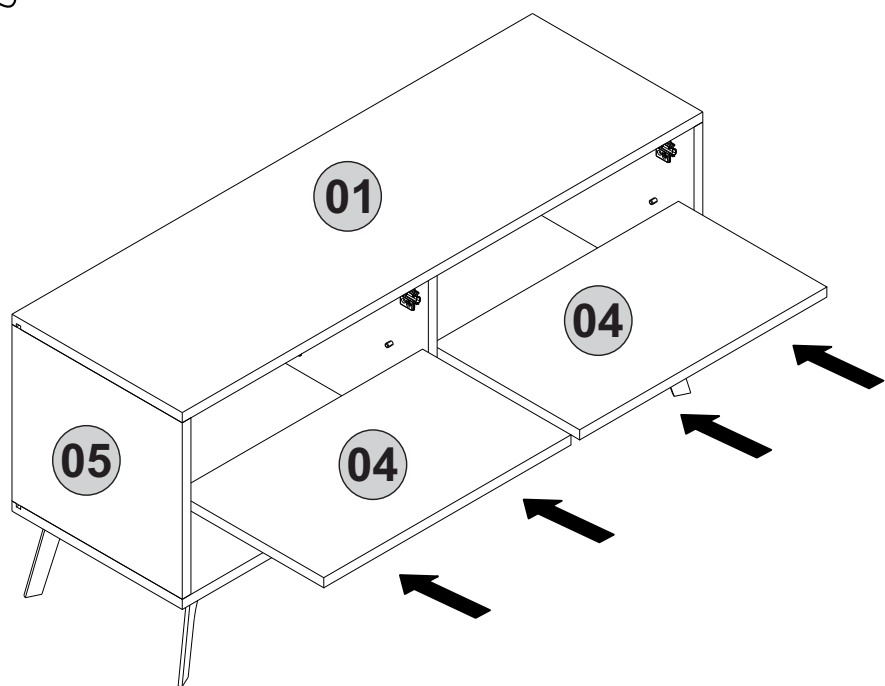
7



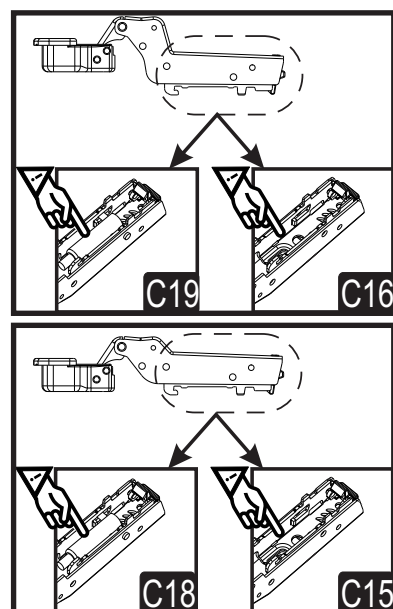
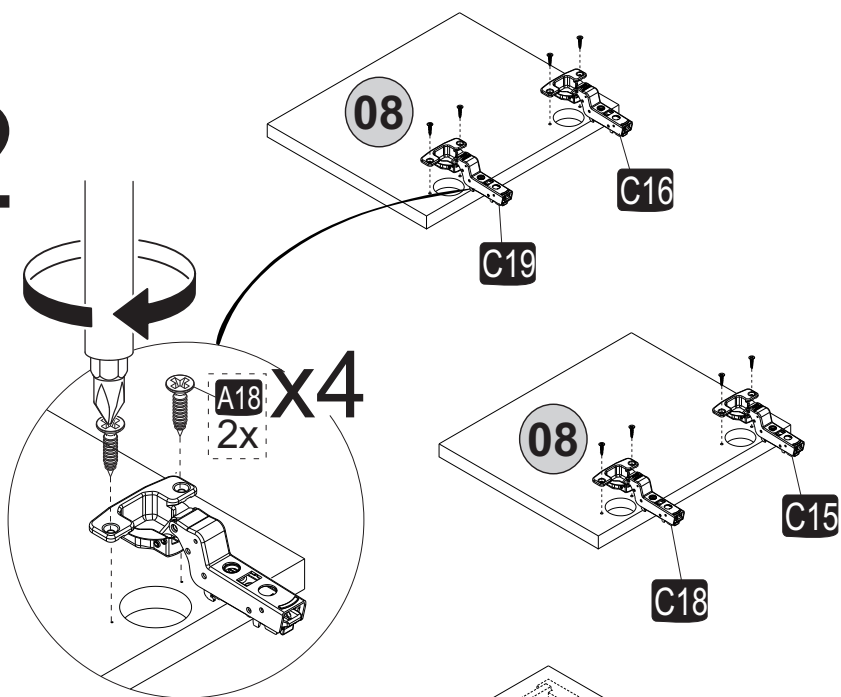
8



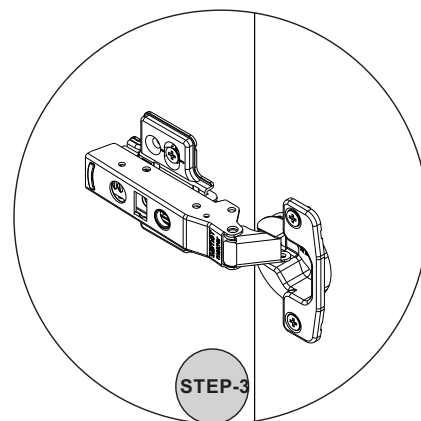
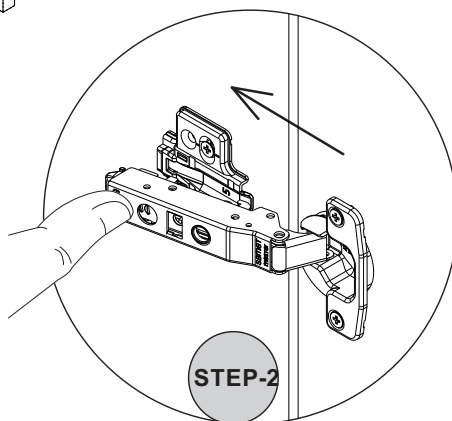
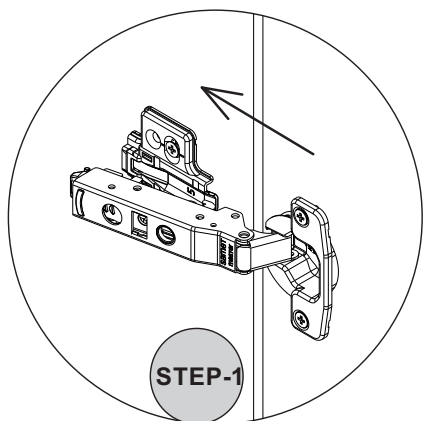
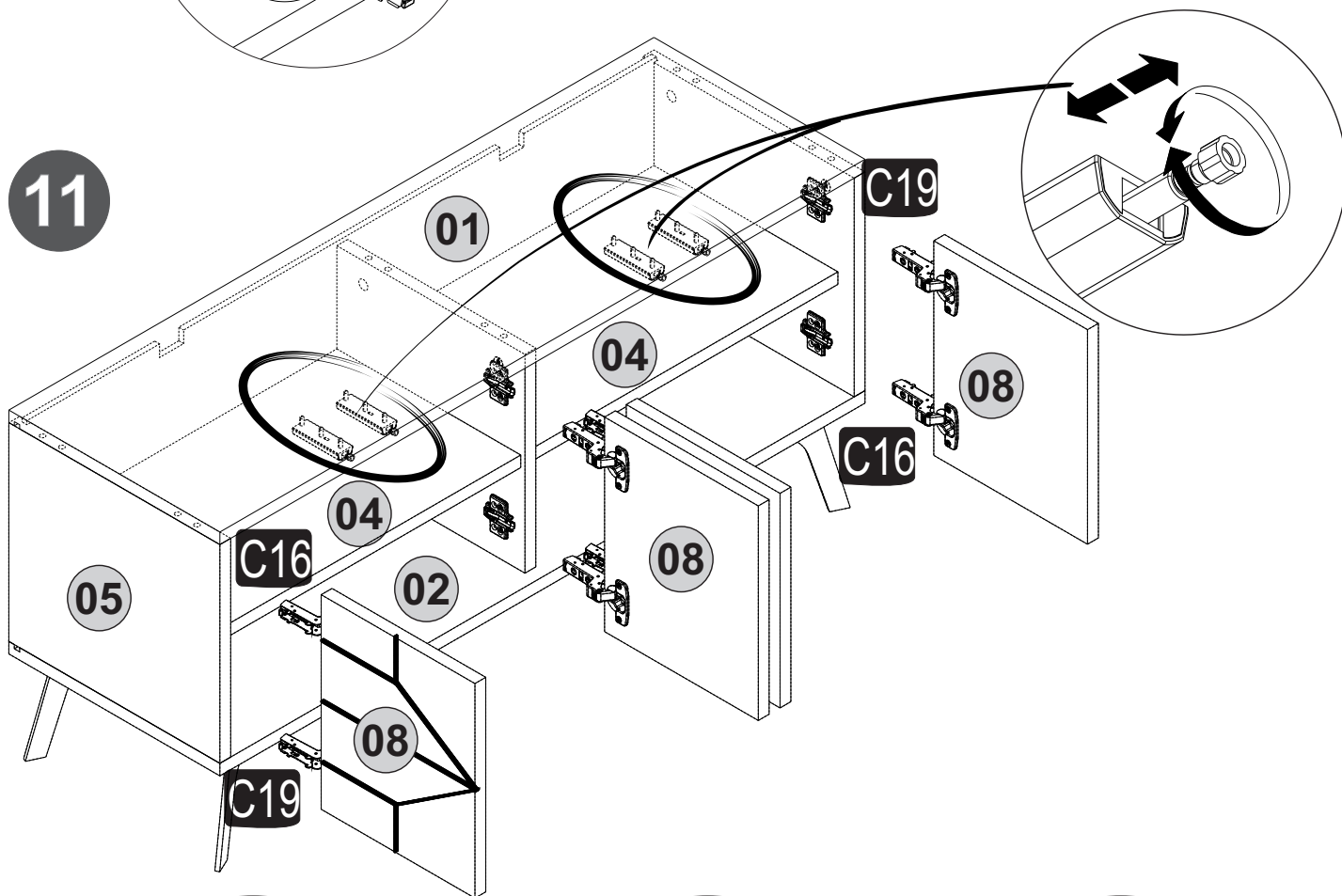
9

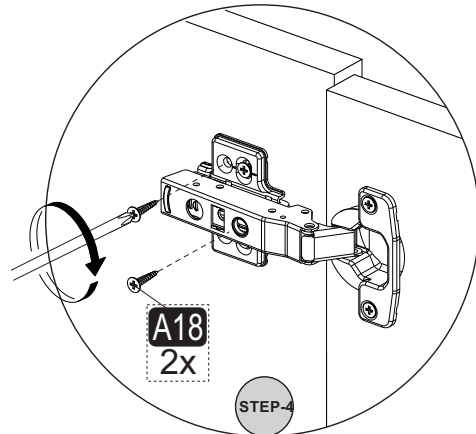
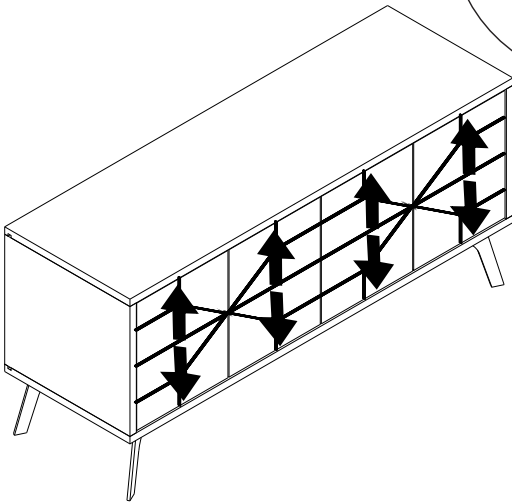
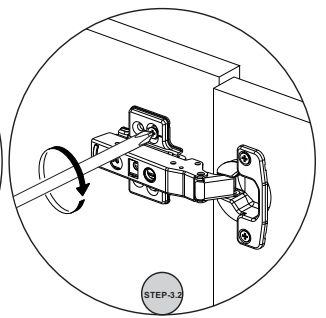
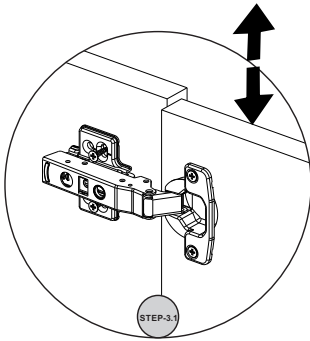
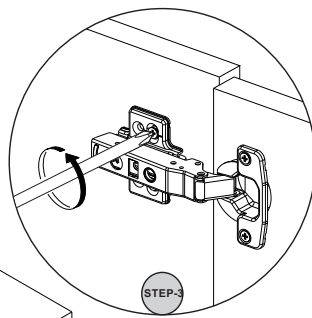
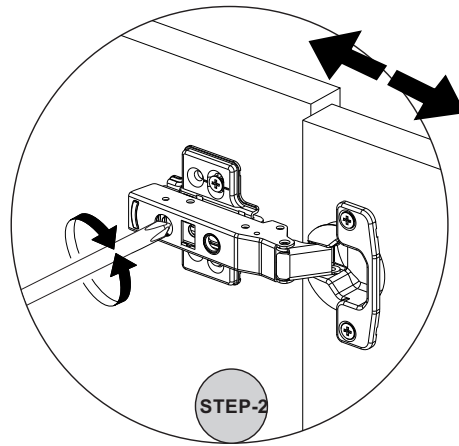
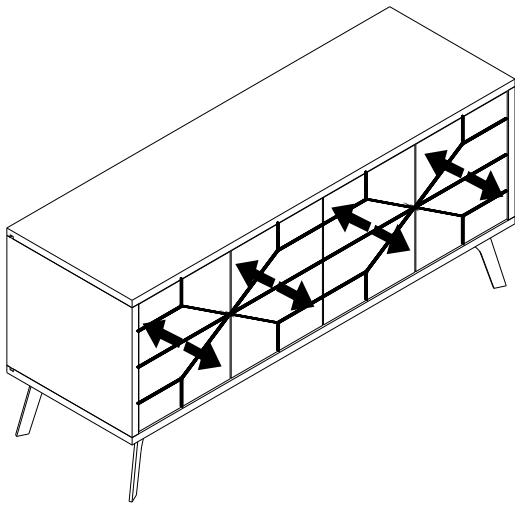
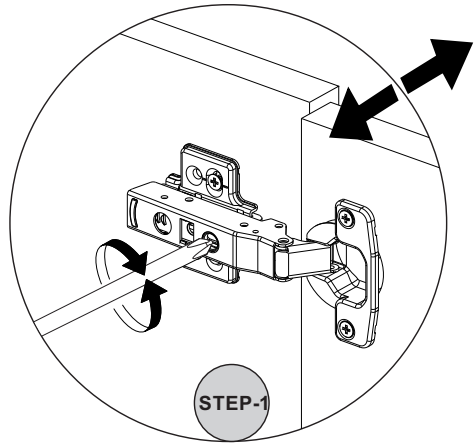
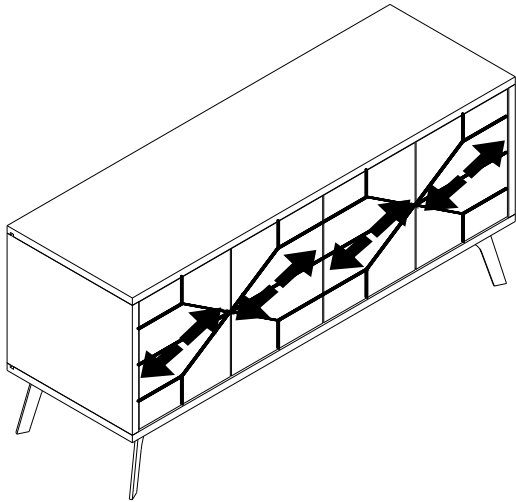


10
x2



11





13

