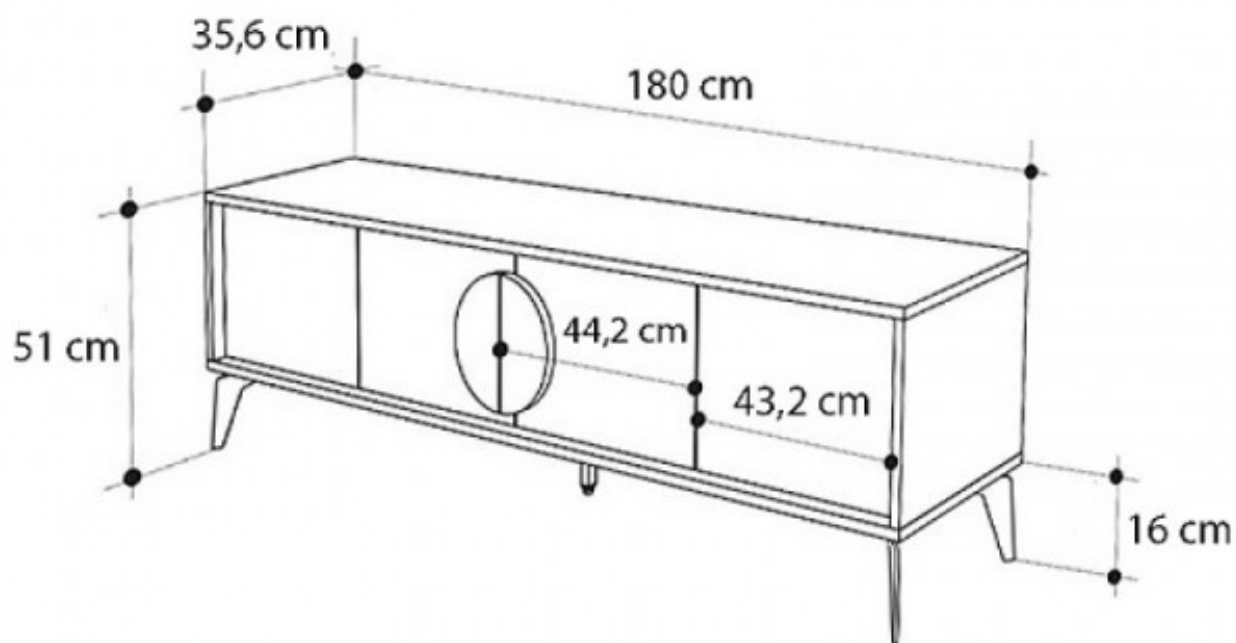
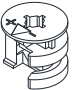
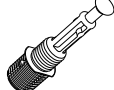



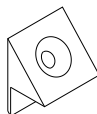





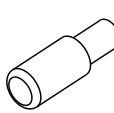


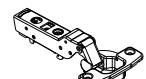
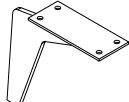




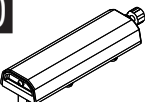
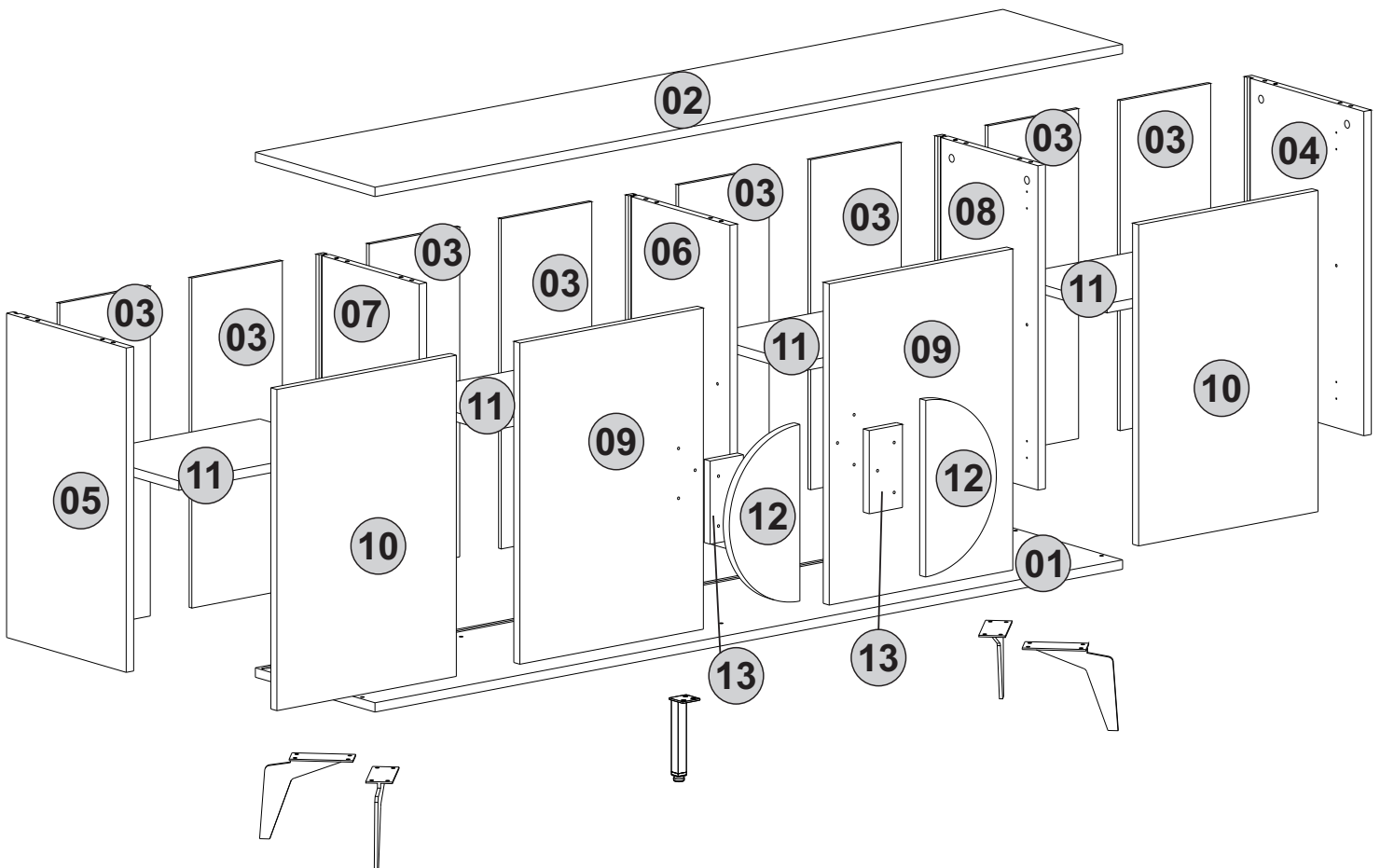
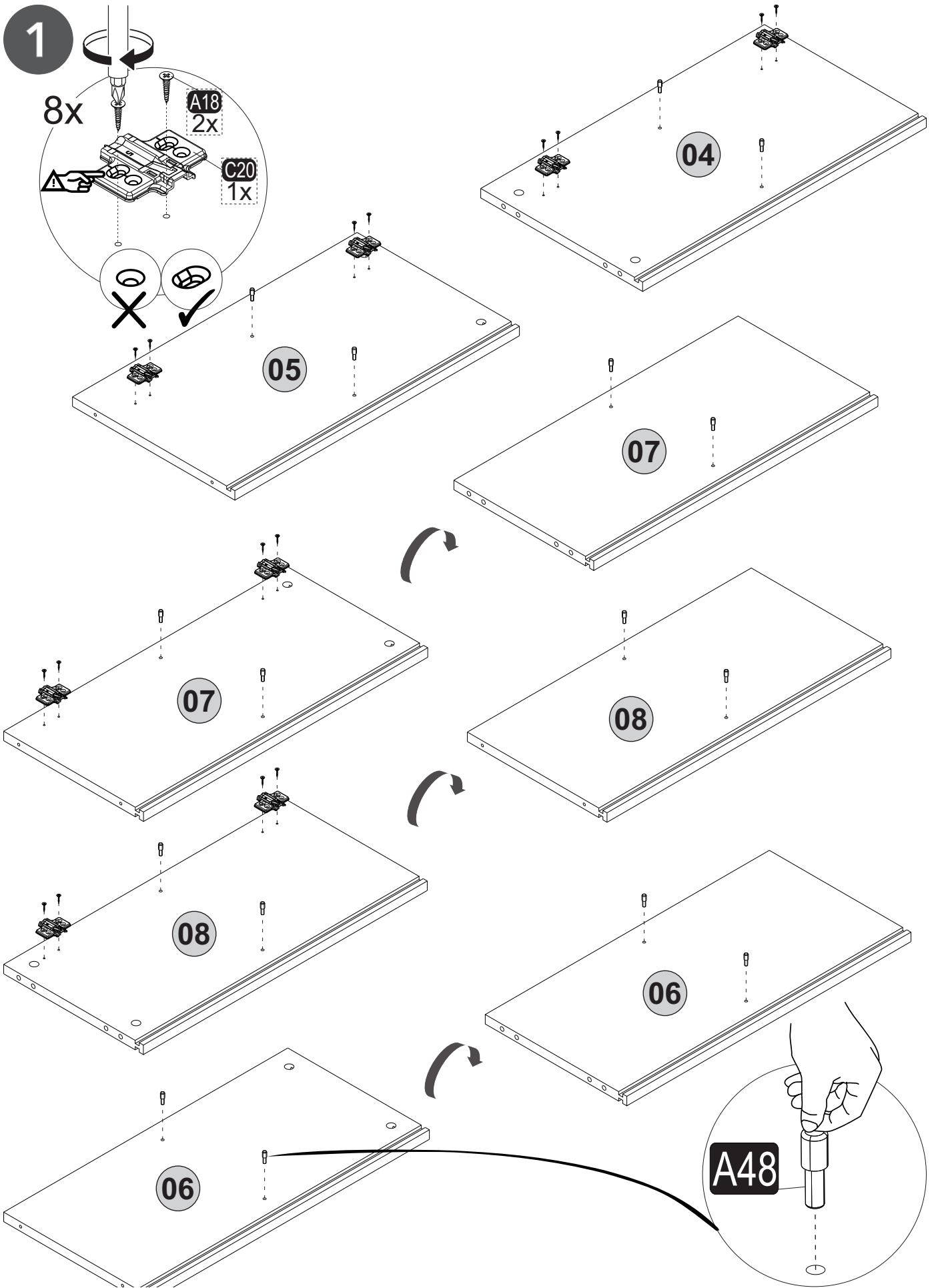


**i** GP037-0250,2

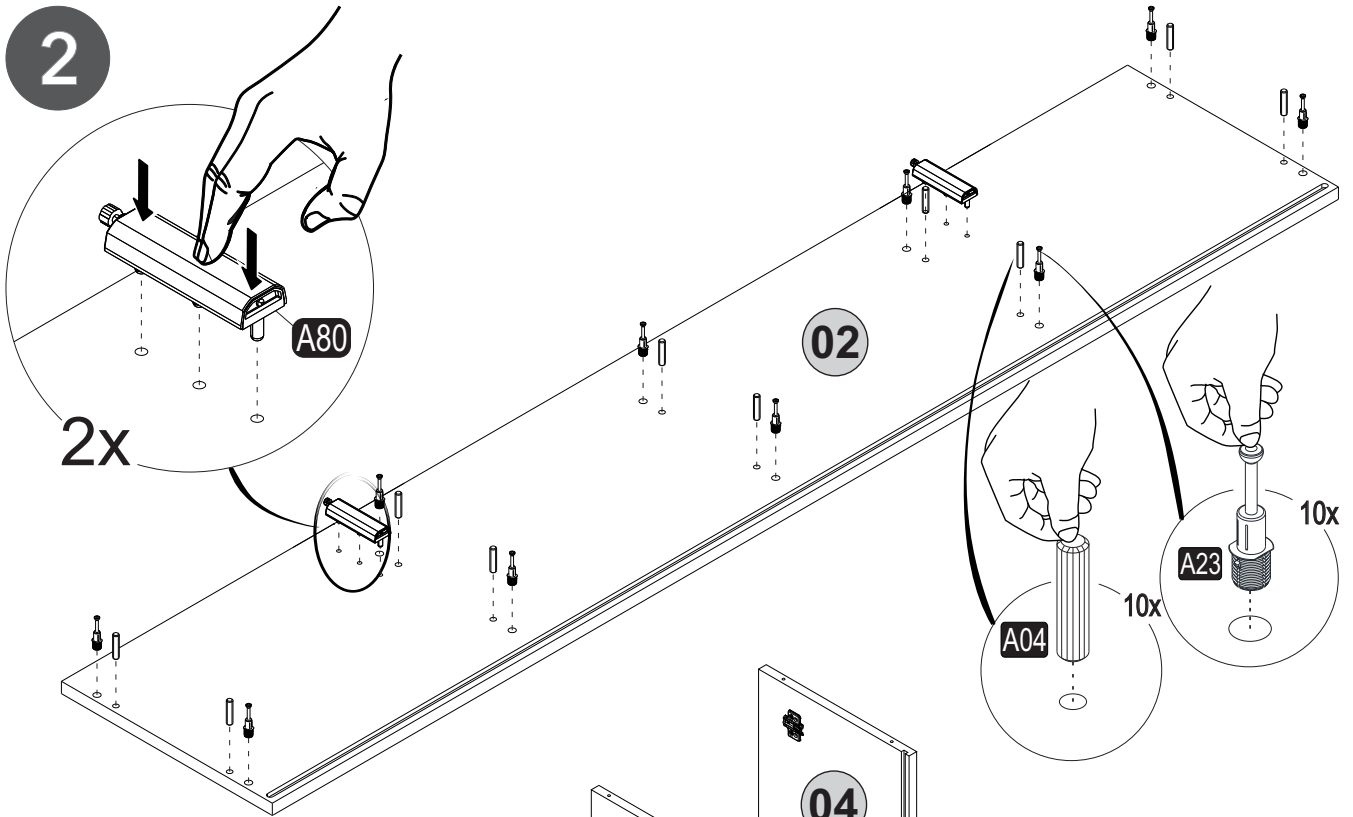


<b>A22</b> Minifix k18  10x	<b>A23</b> Minifix M10  10x	<b>A04</b> Ø8  10x	<b>A12</b> Allen  1x	<b>A13</b> 50mm  10x
<b>A25</b> ARK.PL  32x	<b>A18</b> 3,5x18  80x	<b>C16</b> Sdb(S)  2x	<b>C19</b> SdbF(S)  2x	<b>C20</b> Mtk(S)  8x
<b>A06</b> 18mm  C1-20x C2-06x	<b>A48</b> Raf Pimi  16x	<b>A17</b> 4X50  6x	<b>C15</b> Ydb(S)  2x	<b>C18</b> YdbF(S)  2x
<b>Z71</b> LEG  4x	<b>Z102</b> A.M.A 160mm  1x	<b>B15</b> 15 (black)mm  19x	<b>A69</b> P.D.  19x	<b>A75</b> 5x13  6x
<b>A80</b> bas ac  2x				

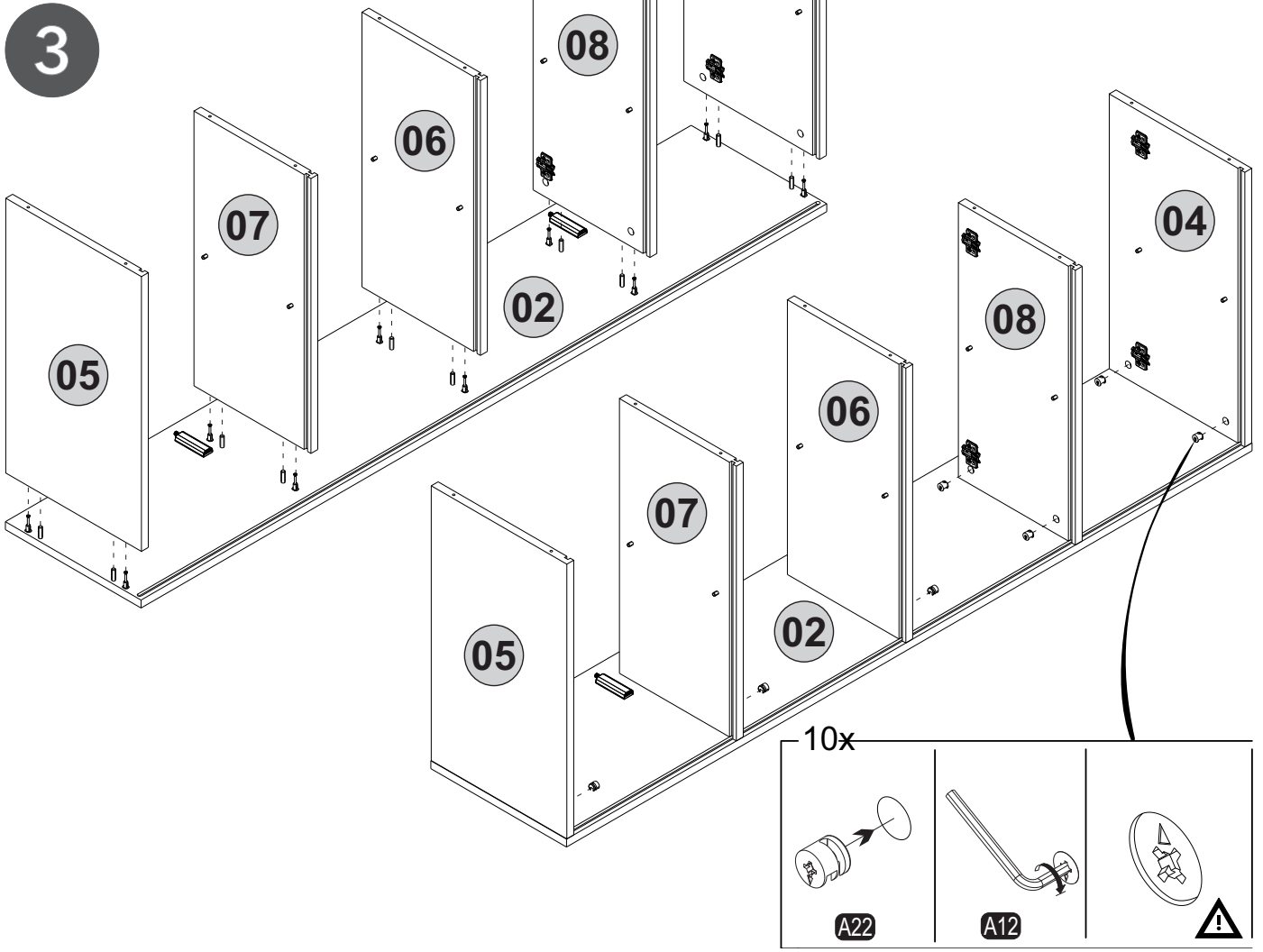




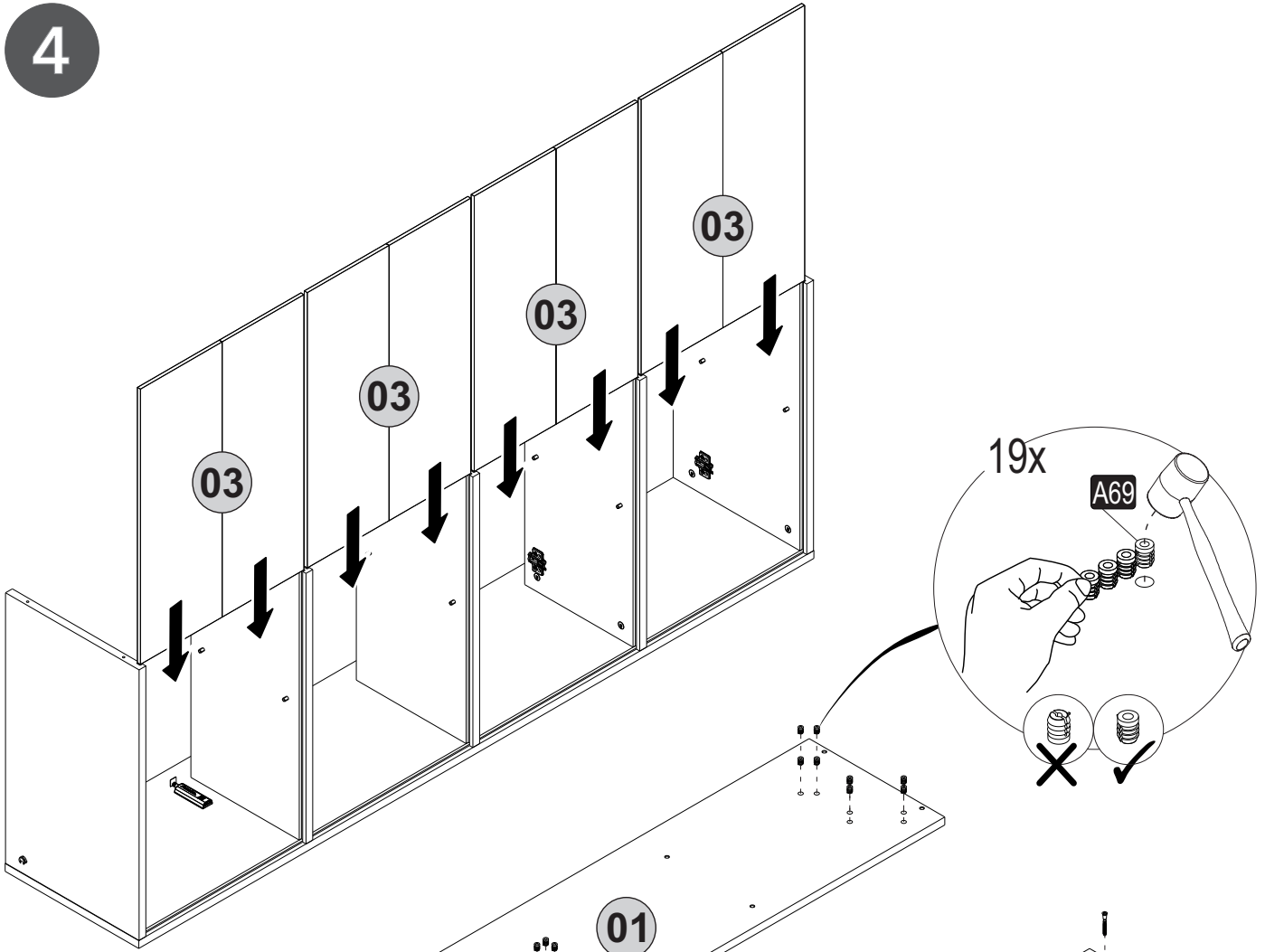
2



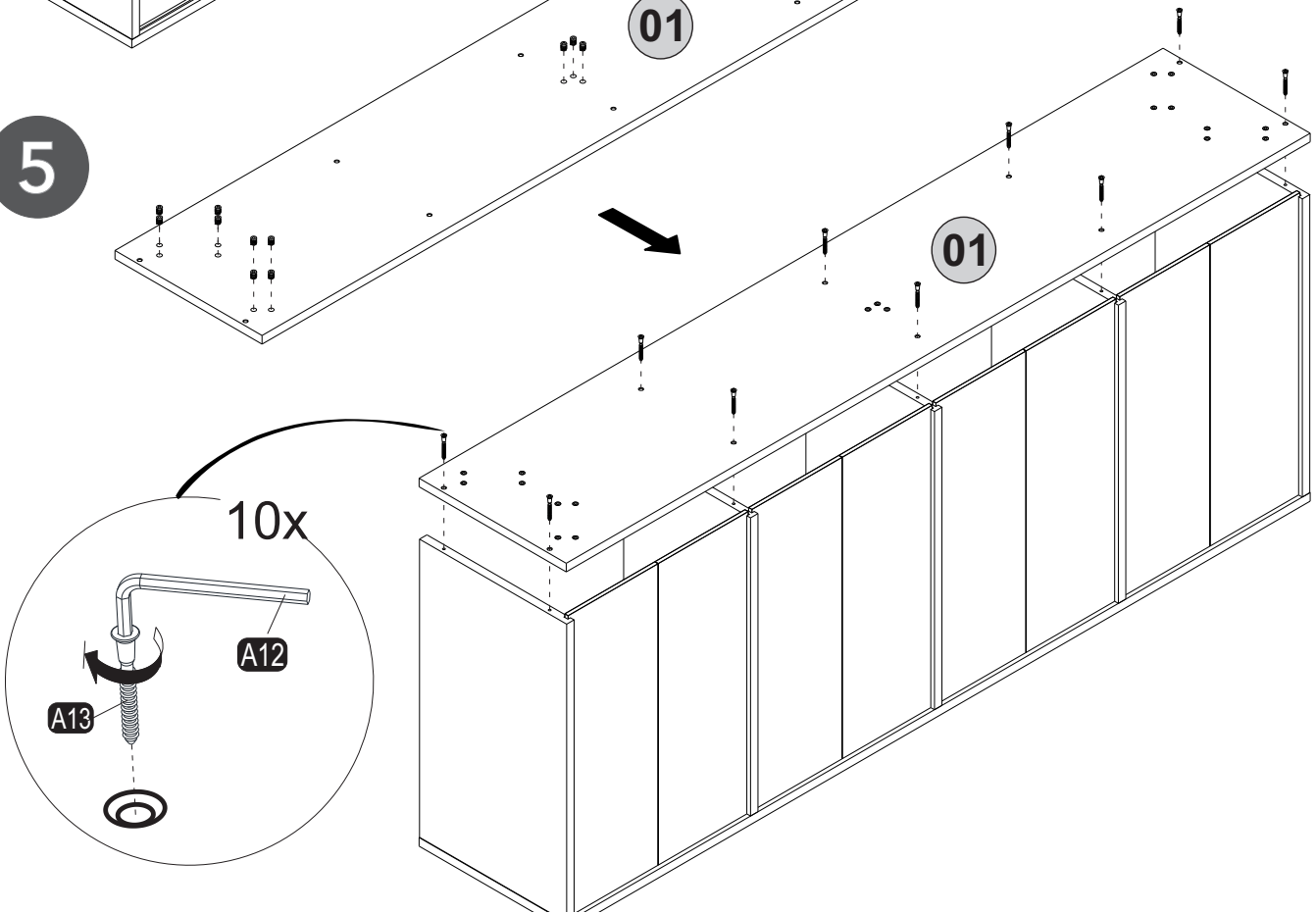
3



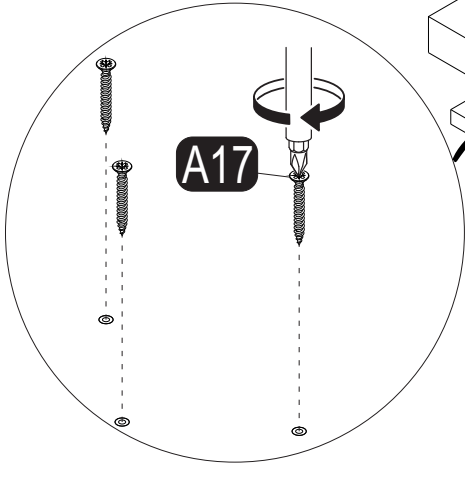
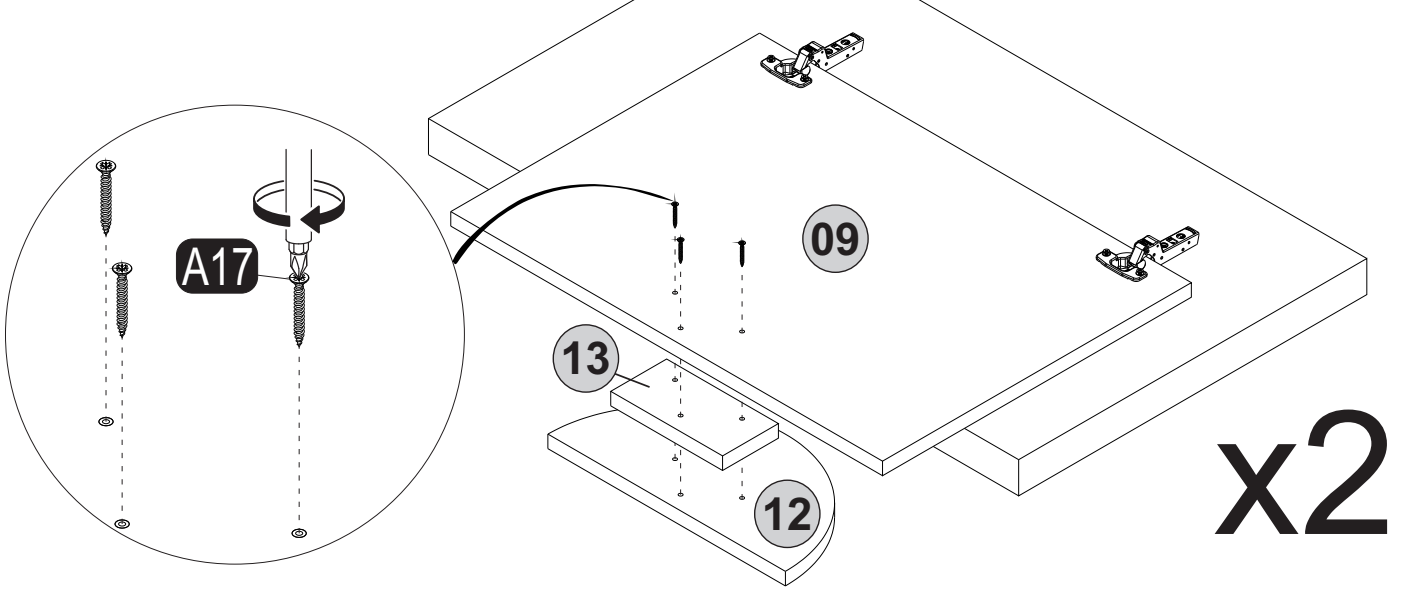
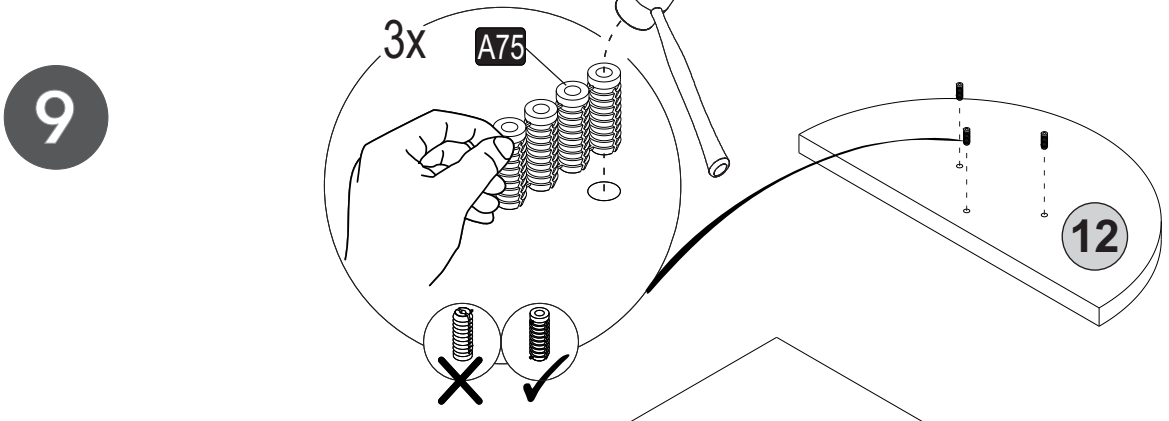
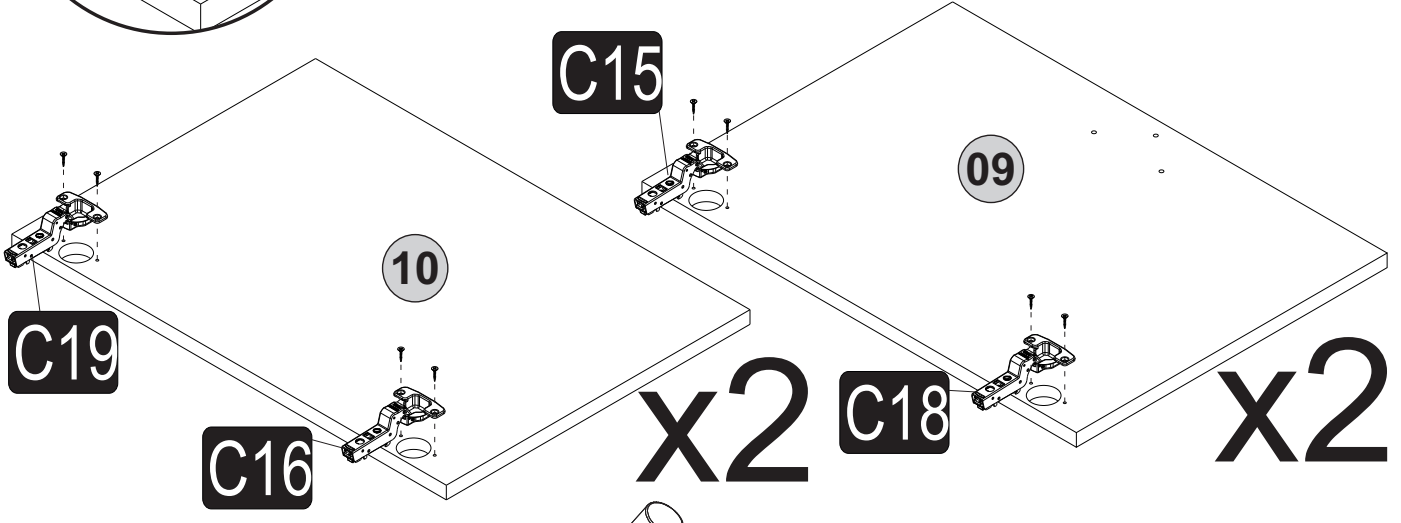
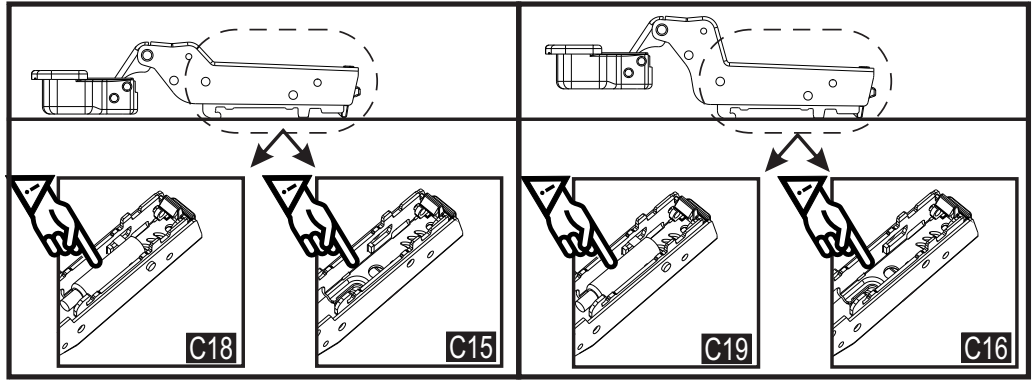
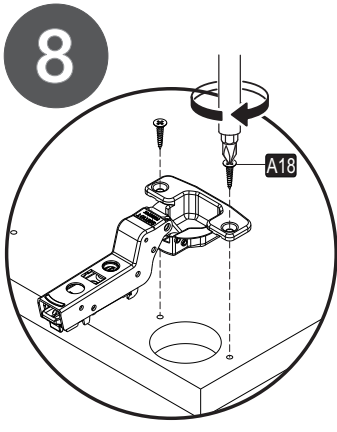
4



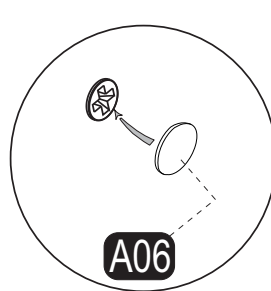
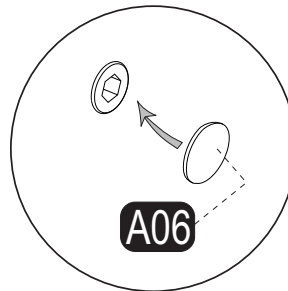
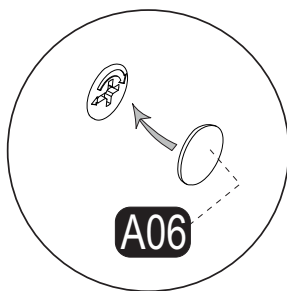
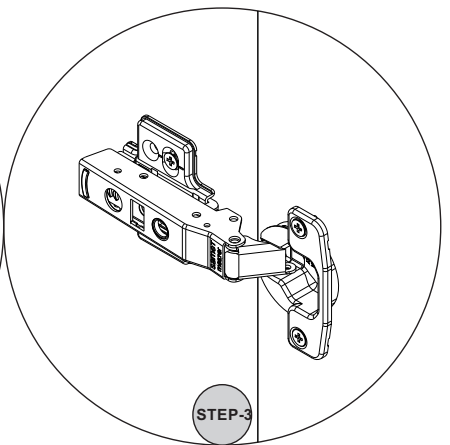
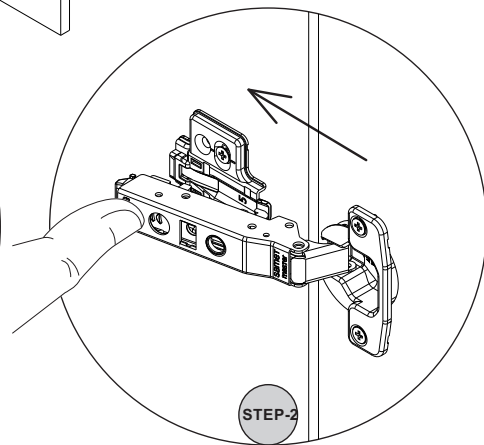
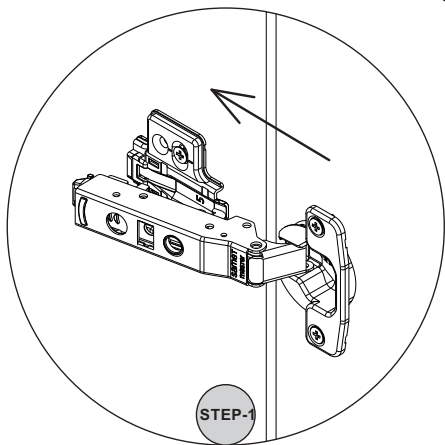
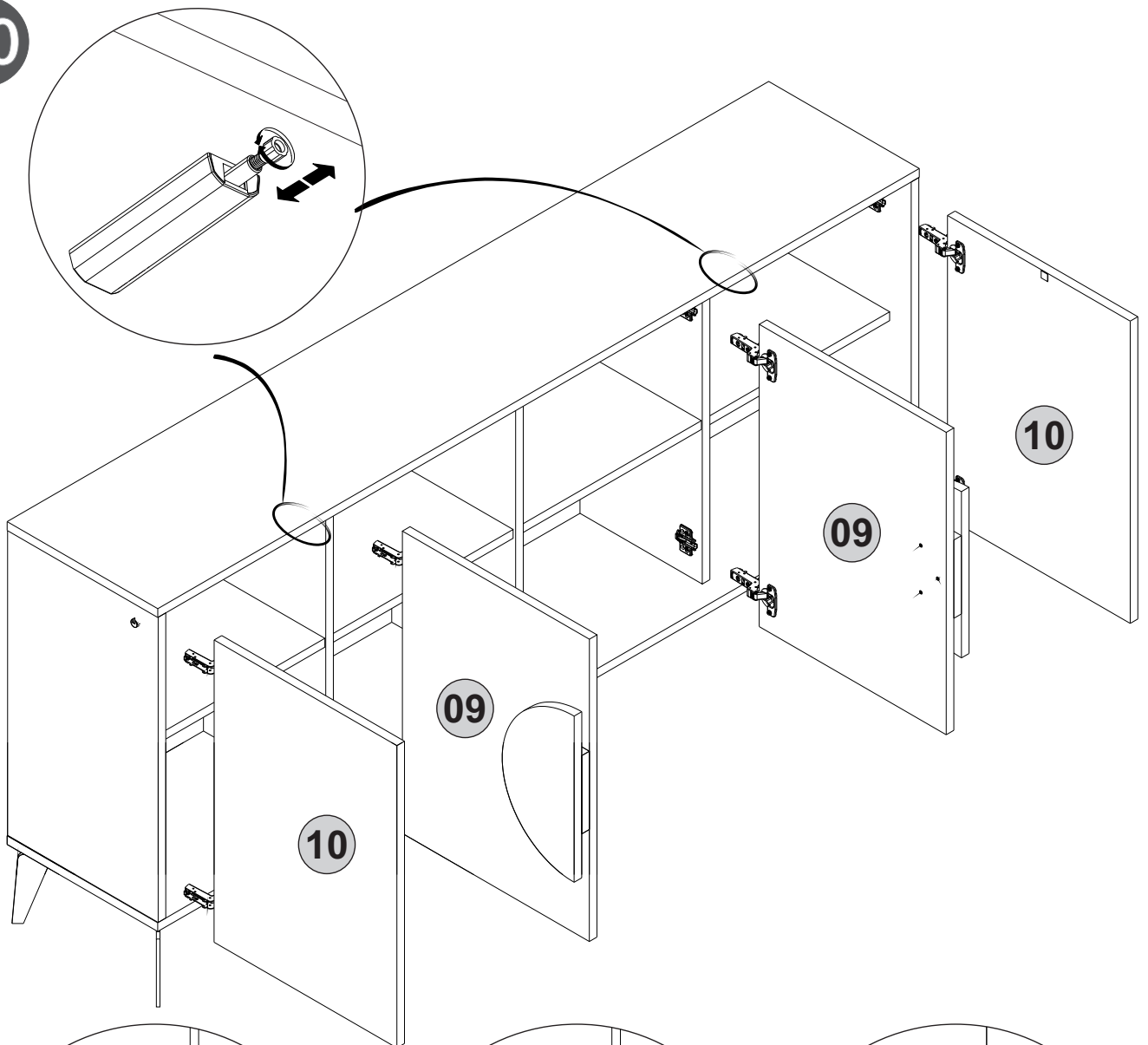
5



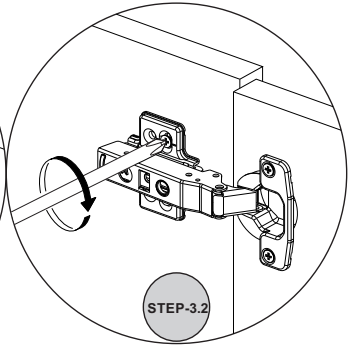
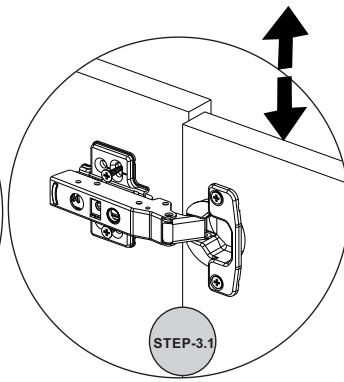
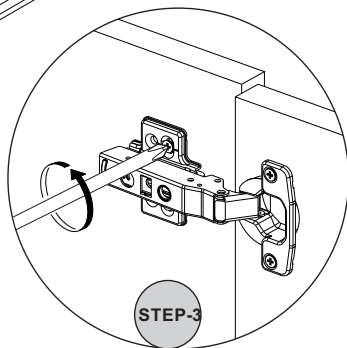
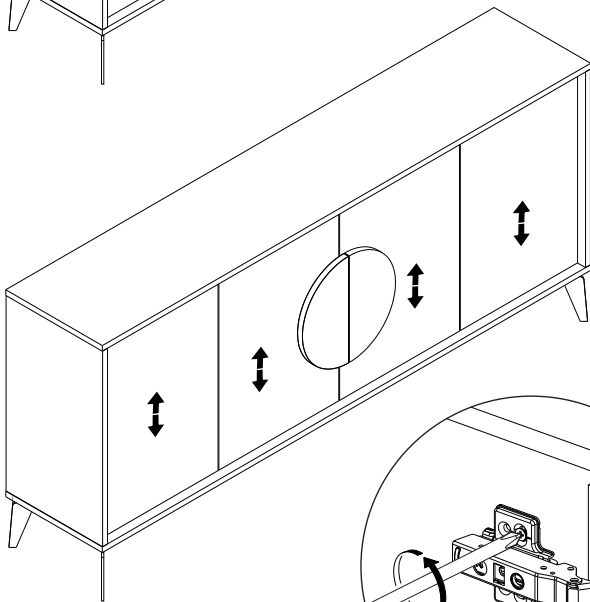
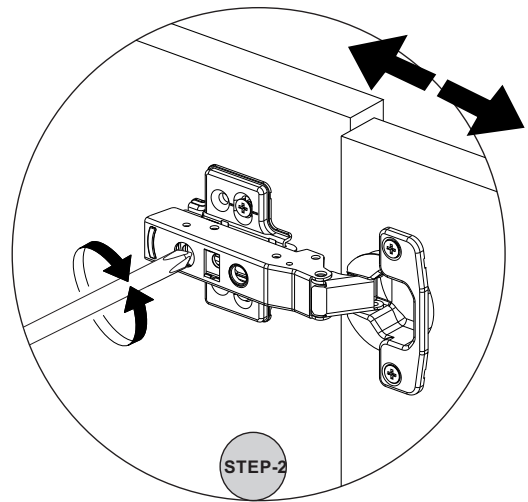
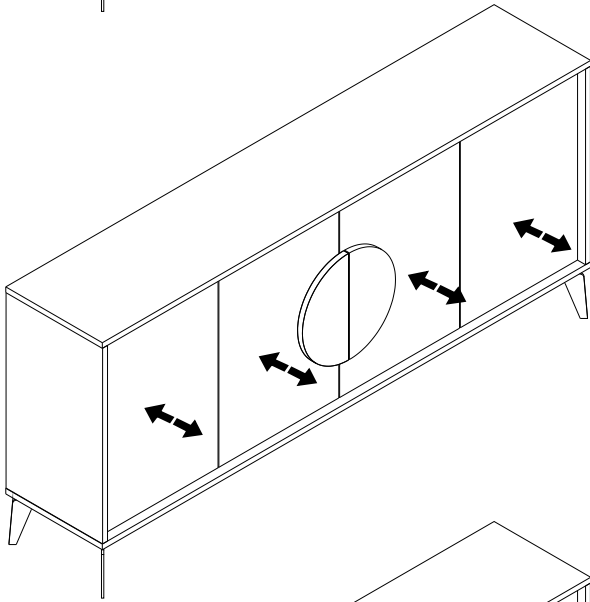
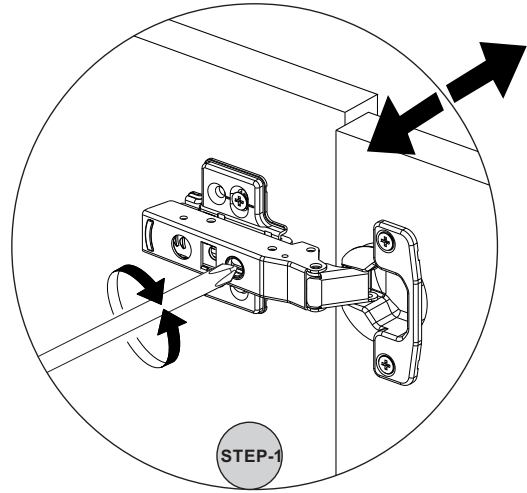
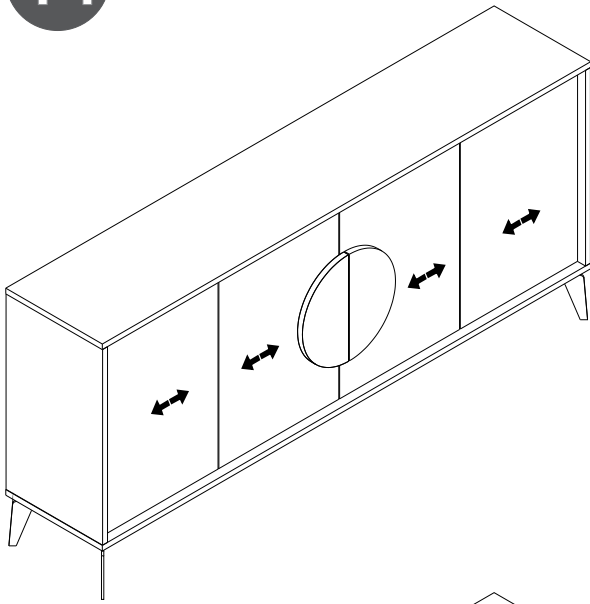




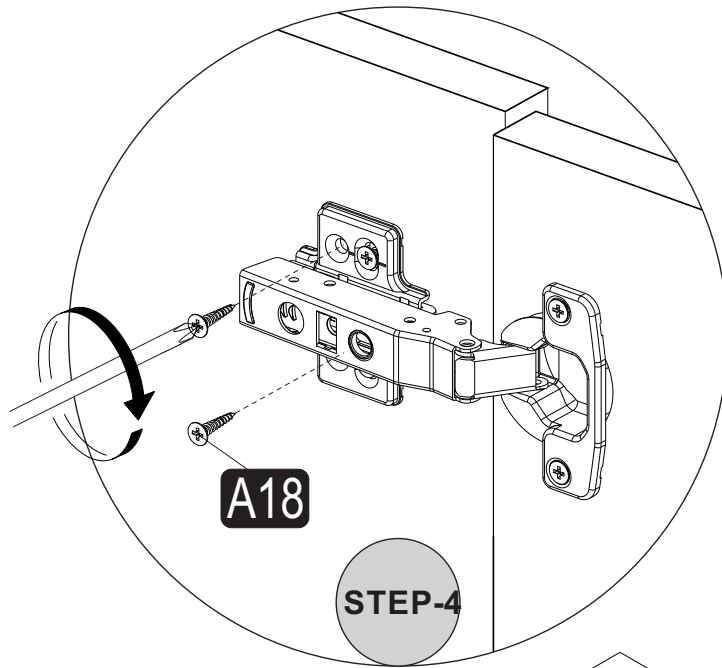
10



11



12



13

