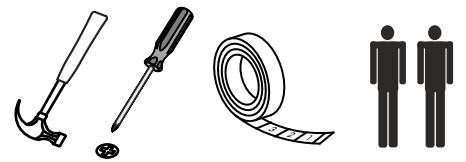
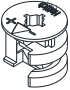
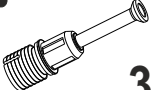


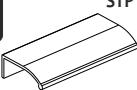


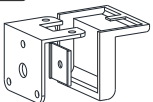
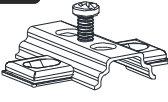
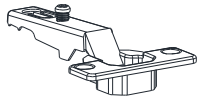
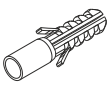


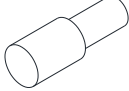
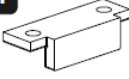


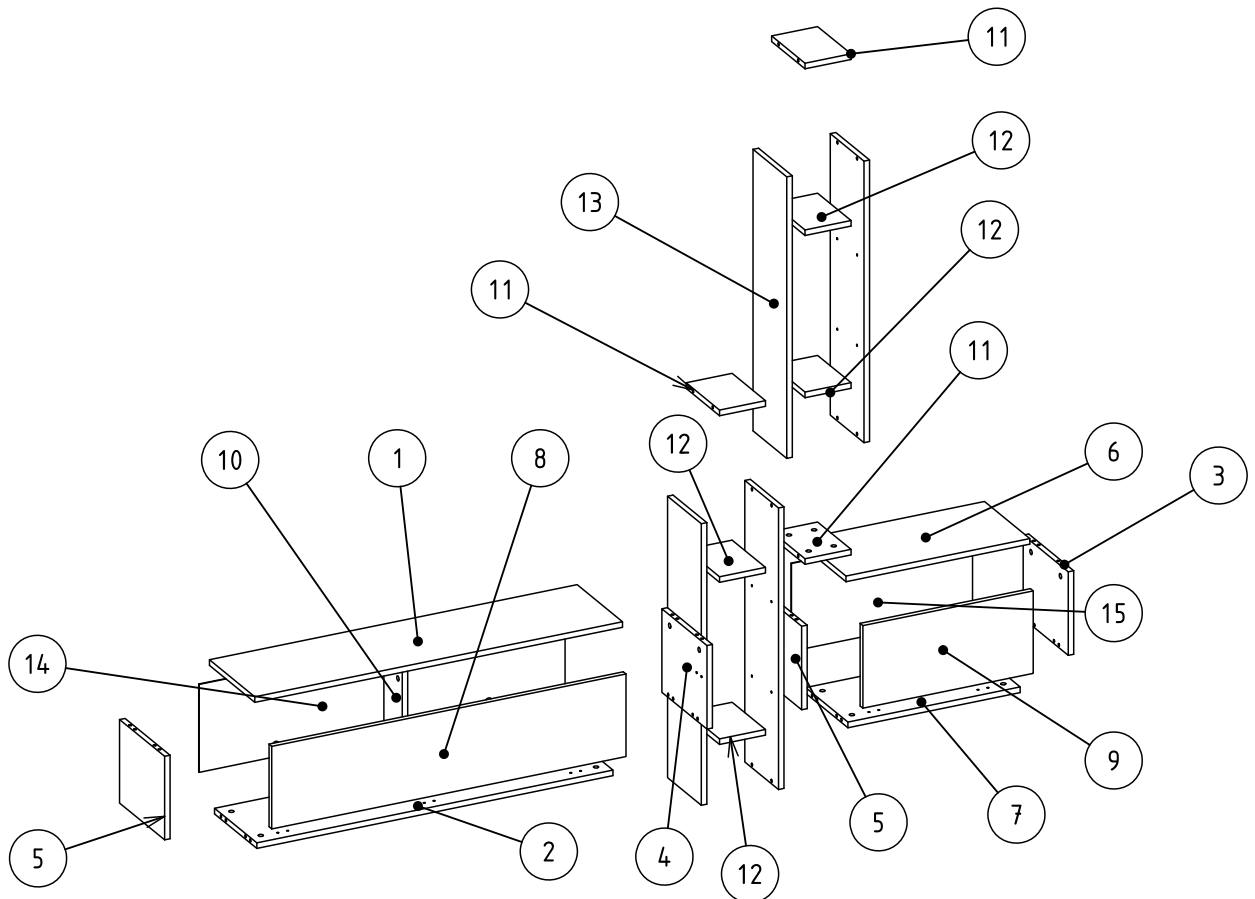
i GP042-0311,1

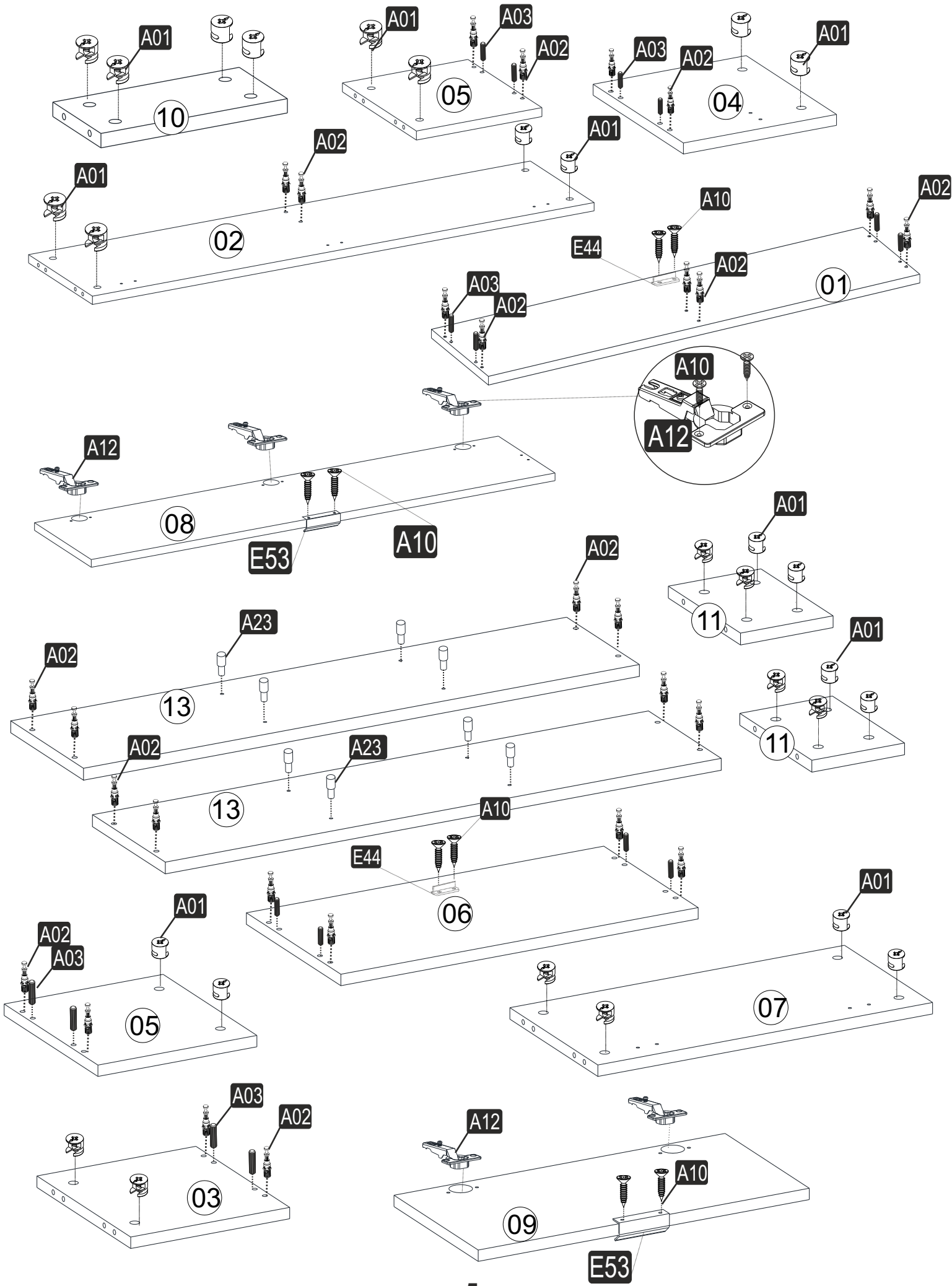


198,4 x 29,6 x 148,5cm

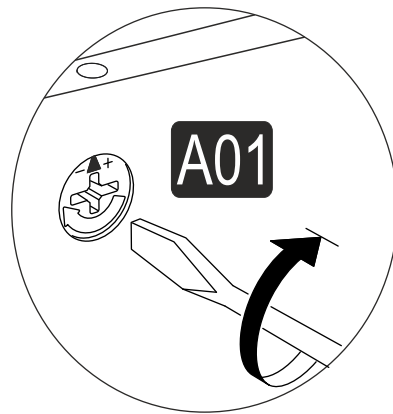
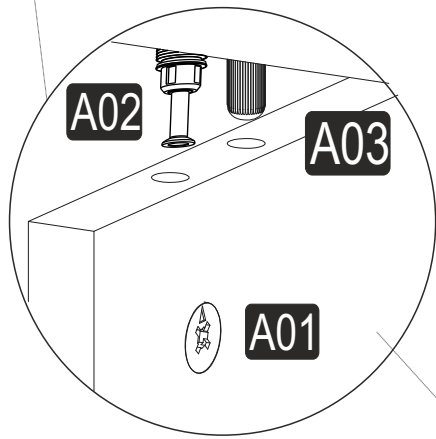
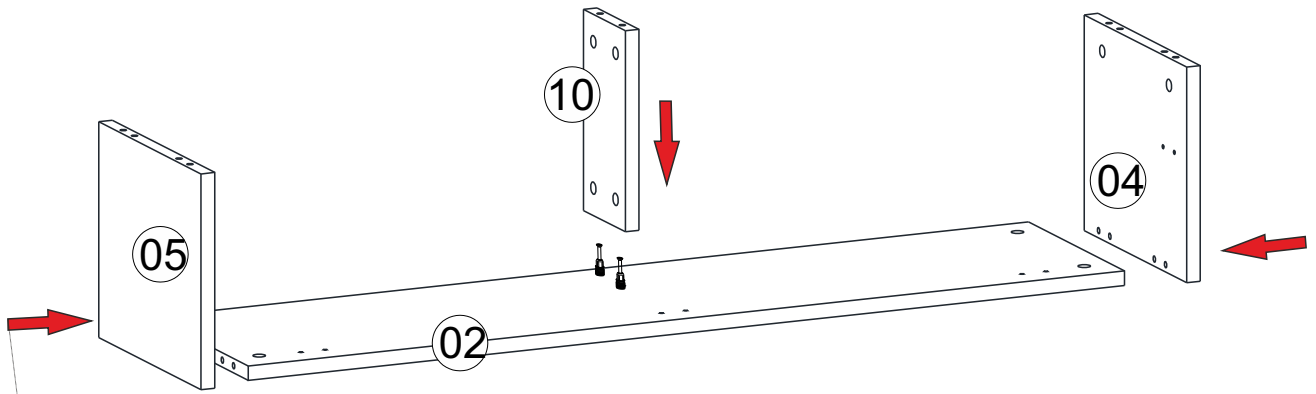


A01  36x	A02  36x	A03  16x	A04  A20x D 16x	E53  2x
A28  40x	A19  BM 1x	A41  DLD 9x	A13  MA 5x	A12  DM 5x
D69  Ø8 9x	A10  3,5x18 YHB 50x	D41  5x70 YHB 9x	A23  RP 16x	E44  ST 2x

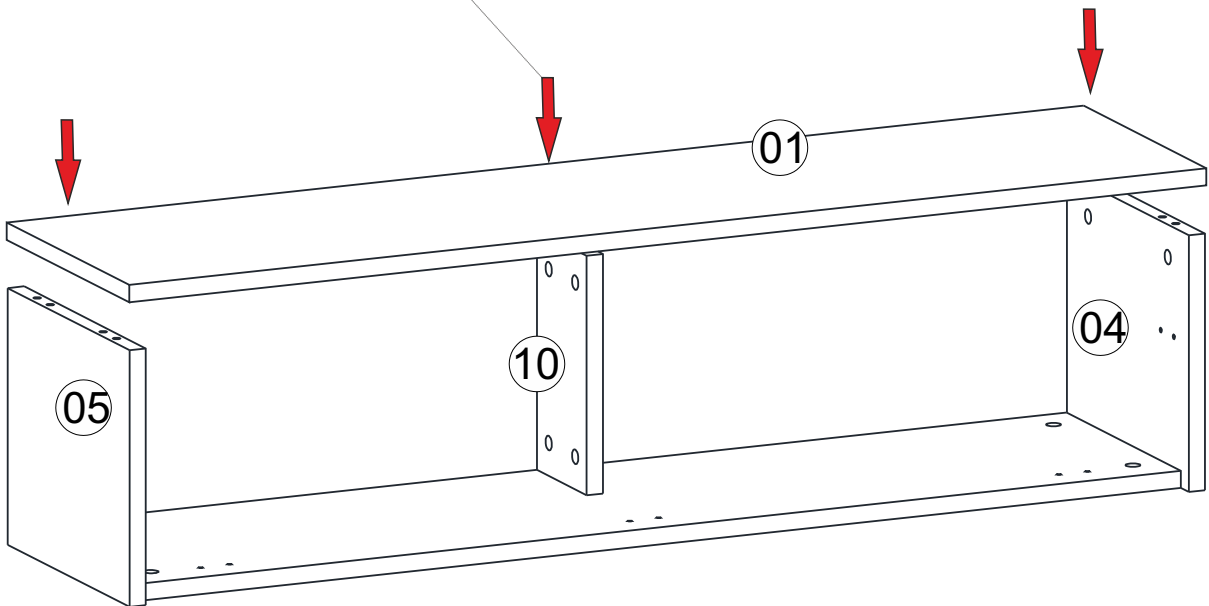




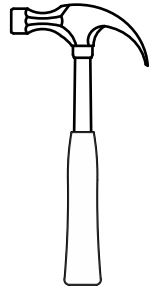
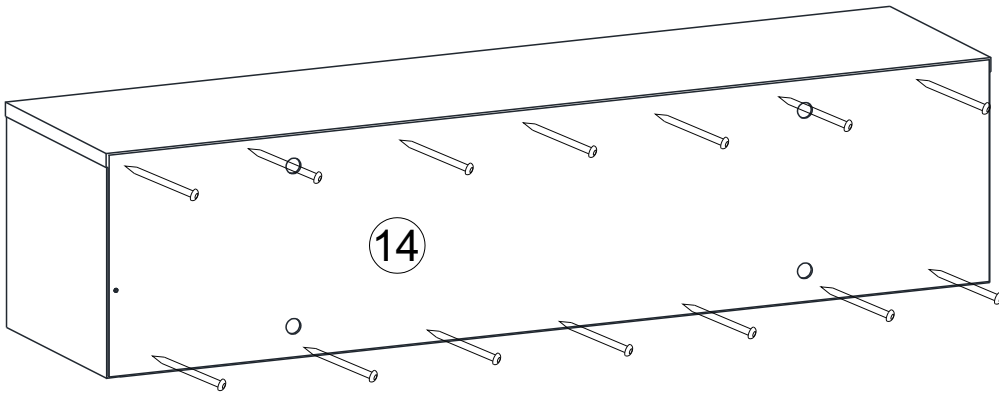
1



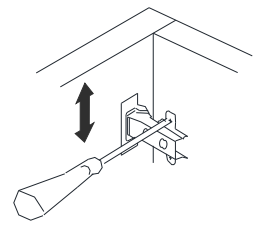
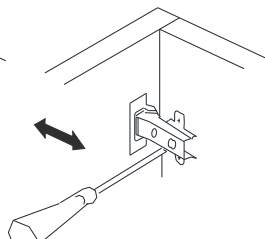
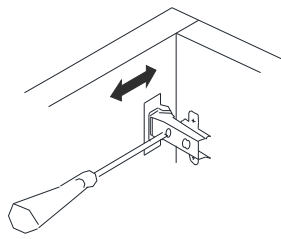
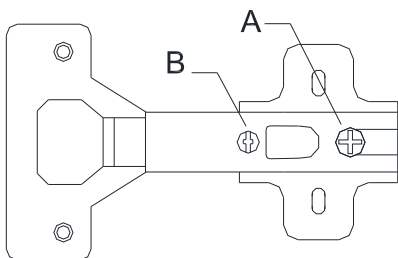
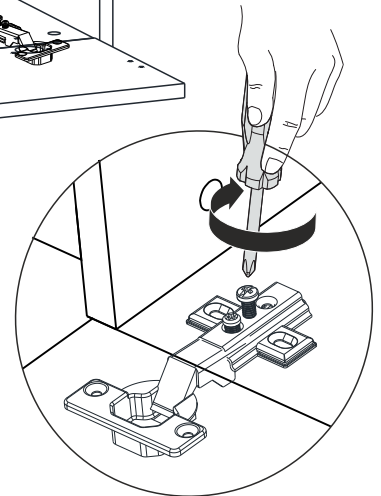
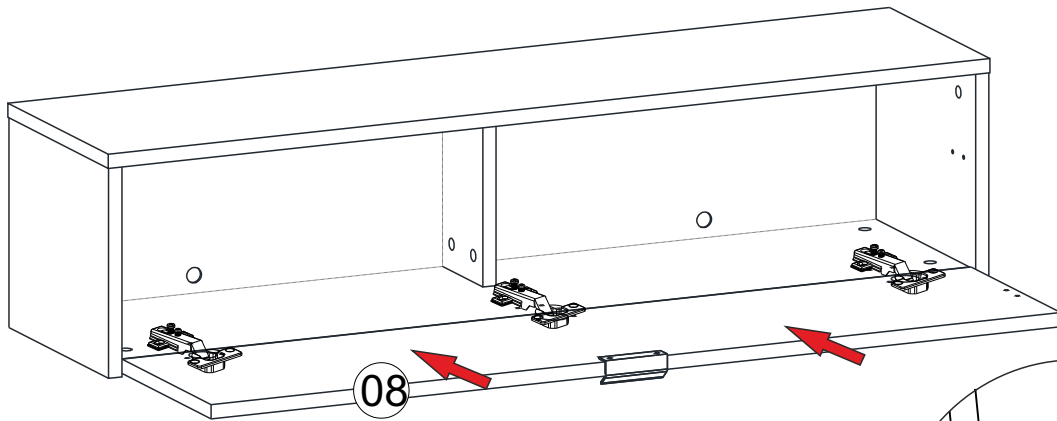
2



3



4

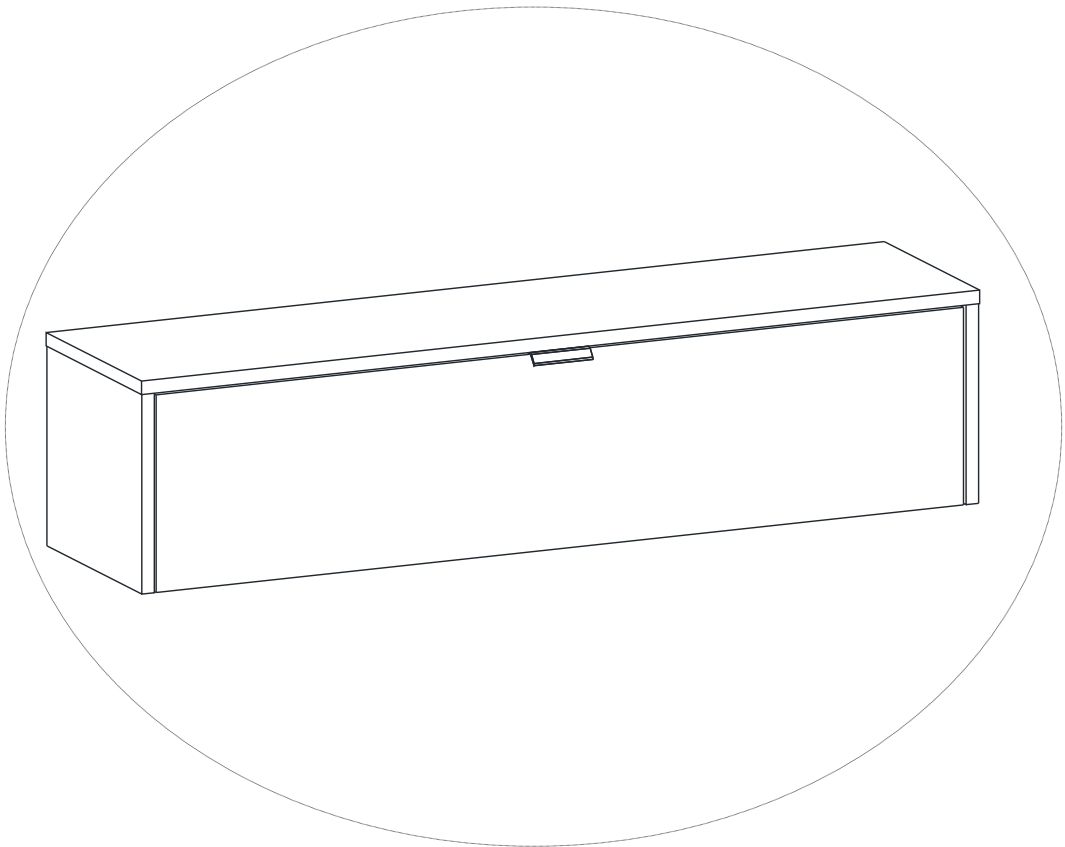
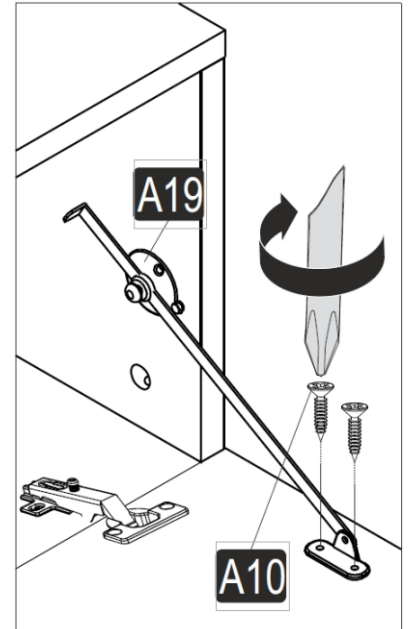
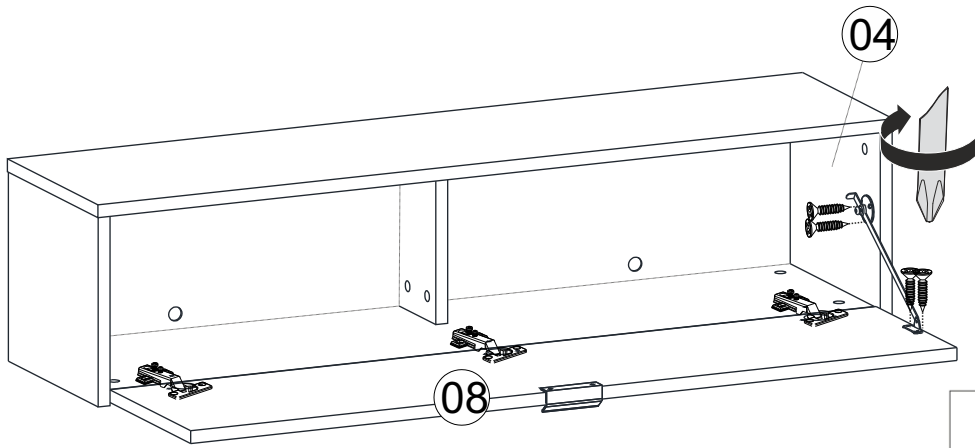


A=
B=

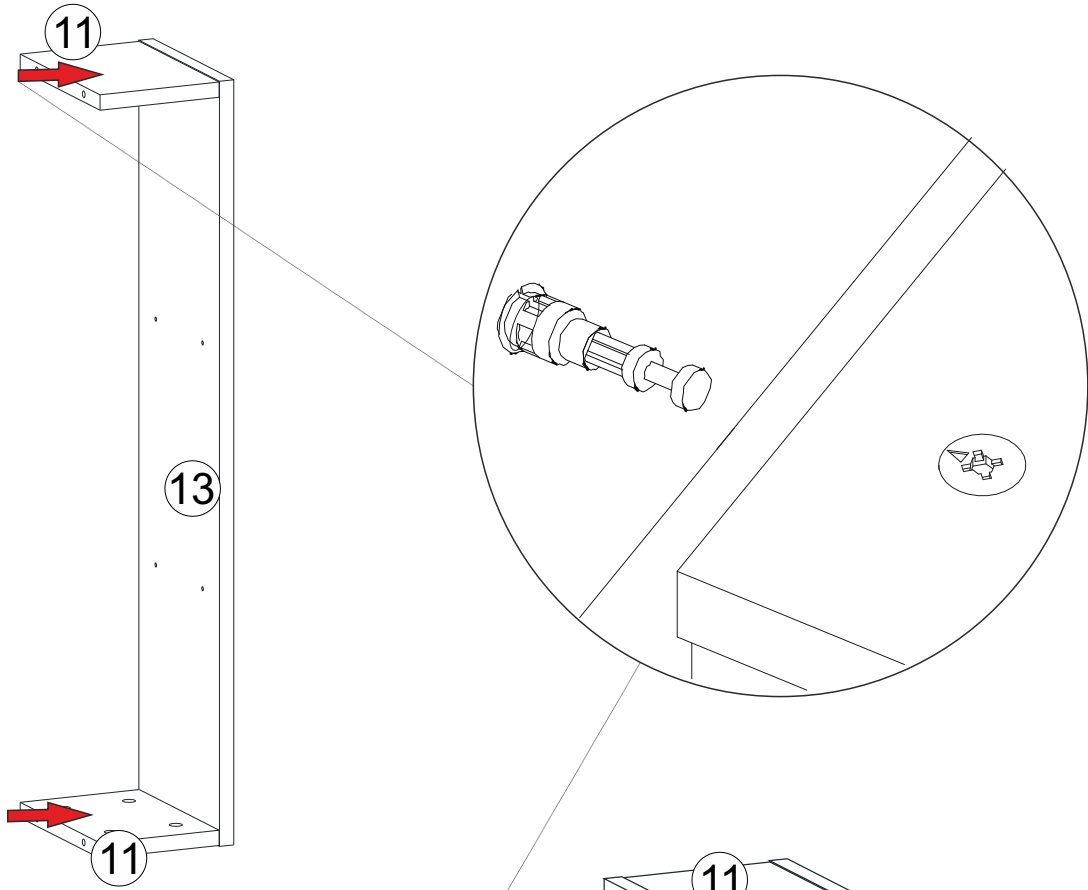
to connect the hinge to the door
to arrange the door

arrows to show the directions for arrangement of doors.

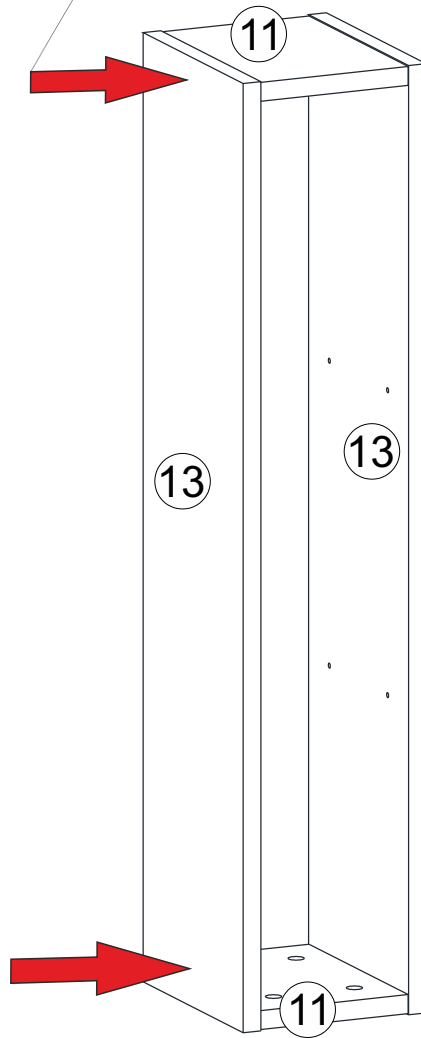
5



6

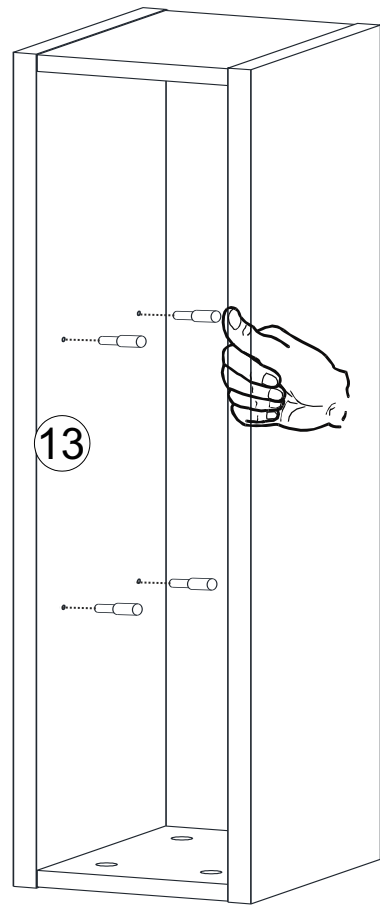
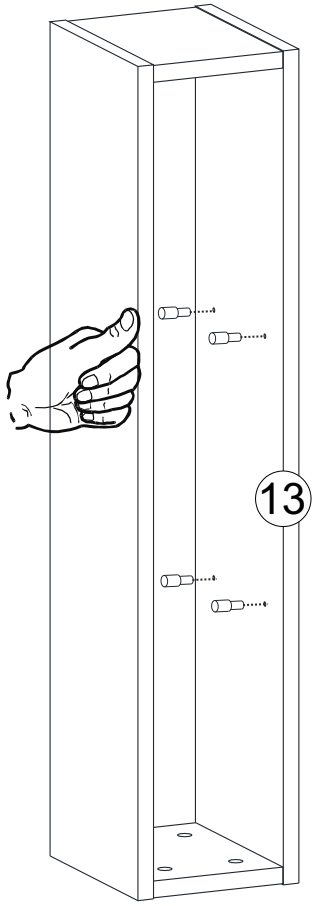


7

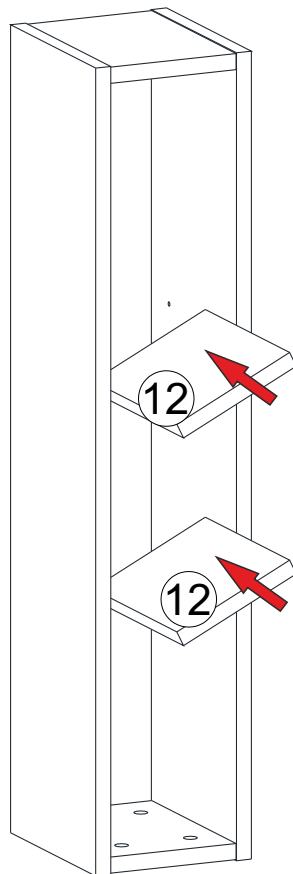


9

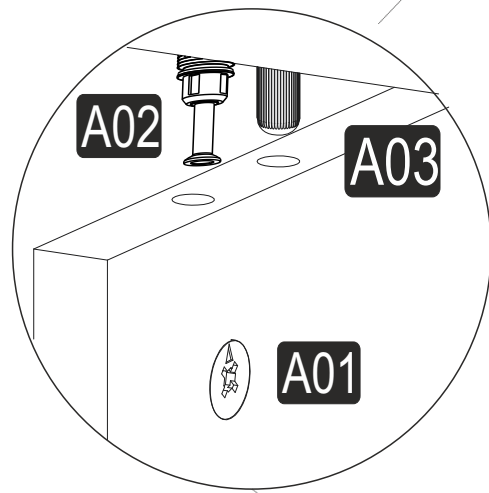
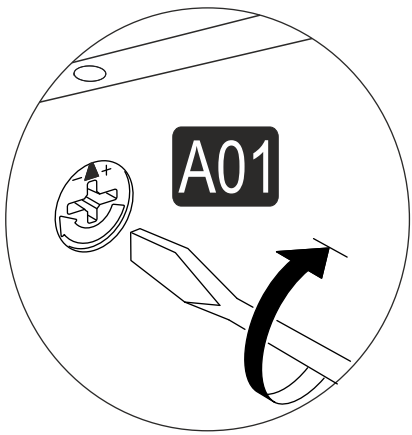
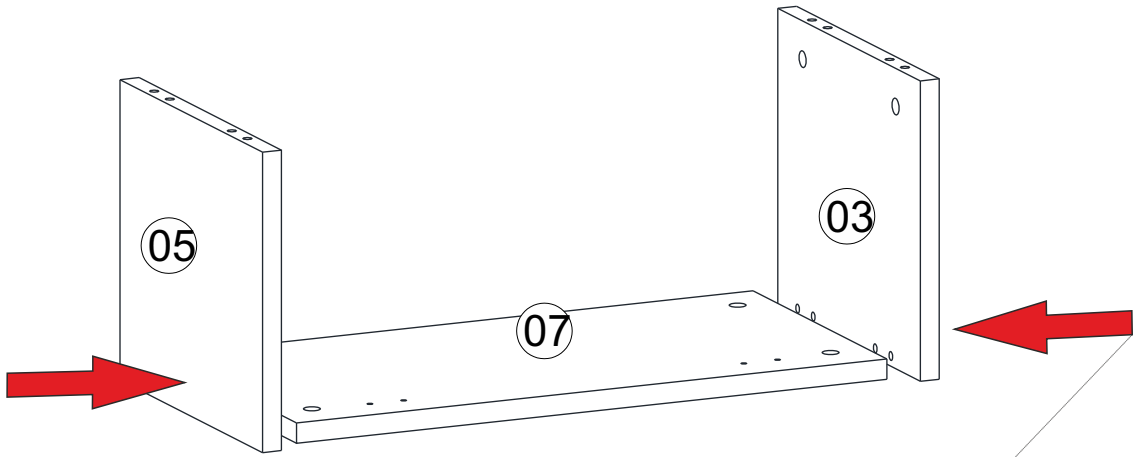
8



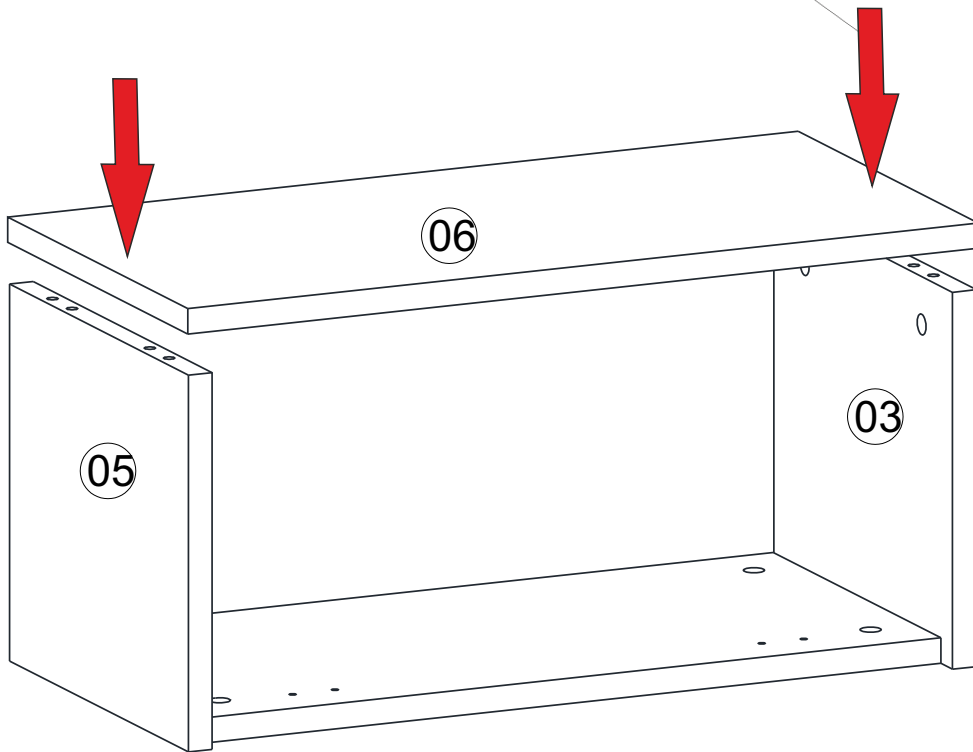
9



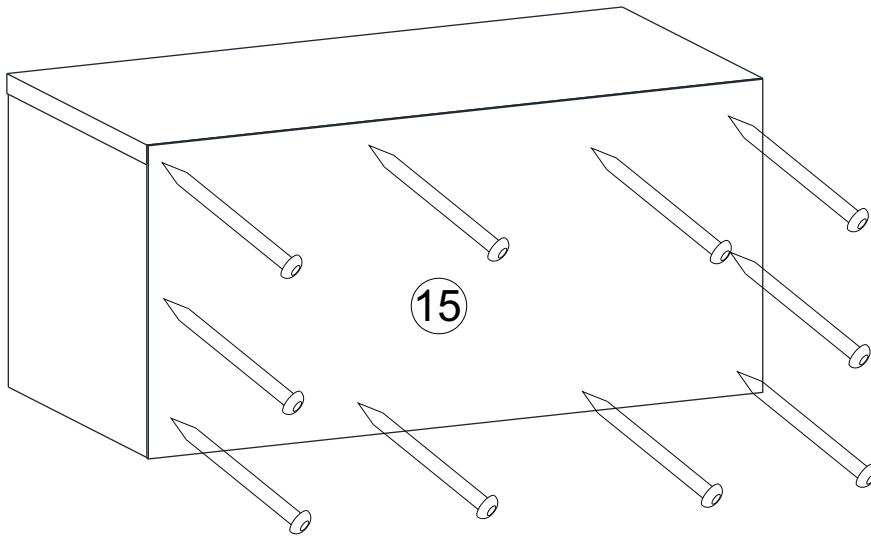
10



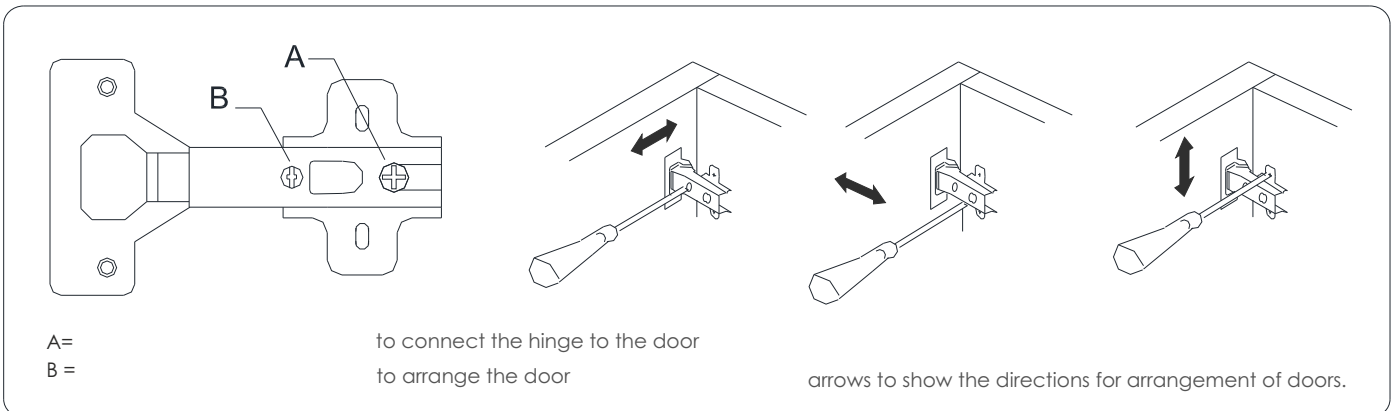
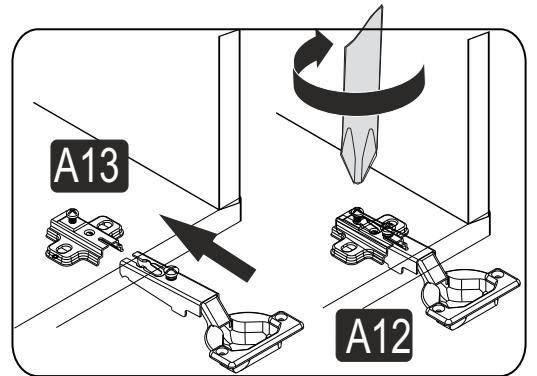
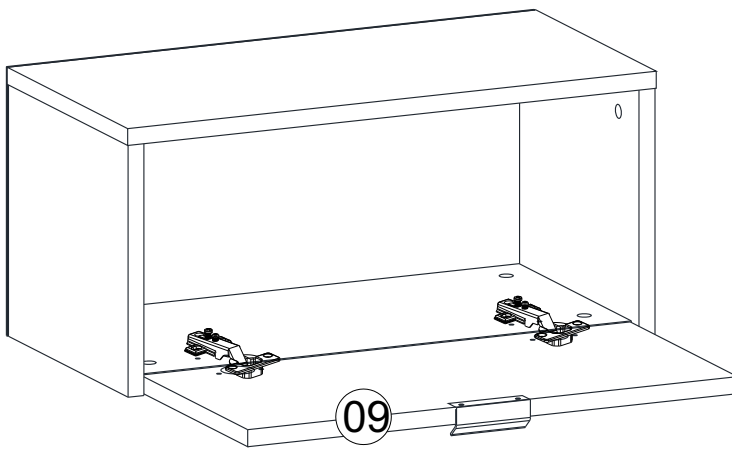
11



12



13

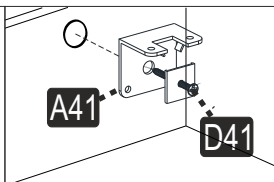
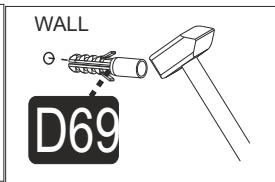
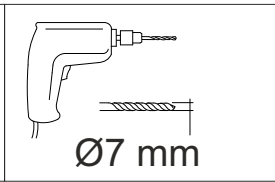
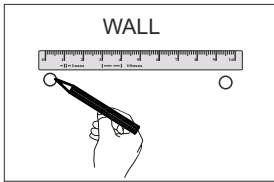


PART-1

PART-2

PART-3

PART-4



PART-5

PART-6

