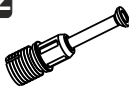







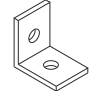



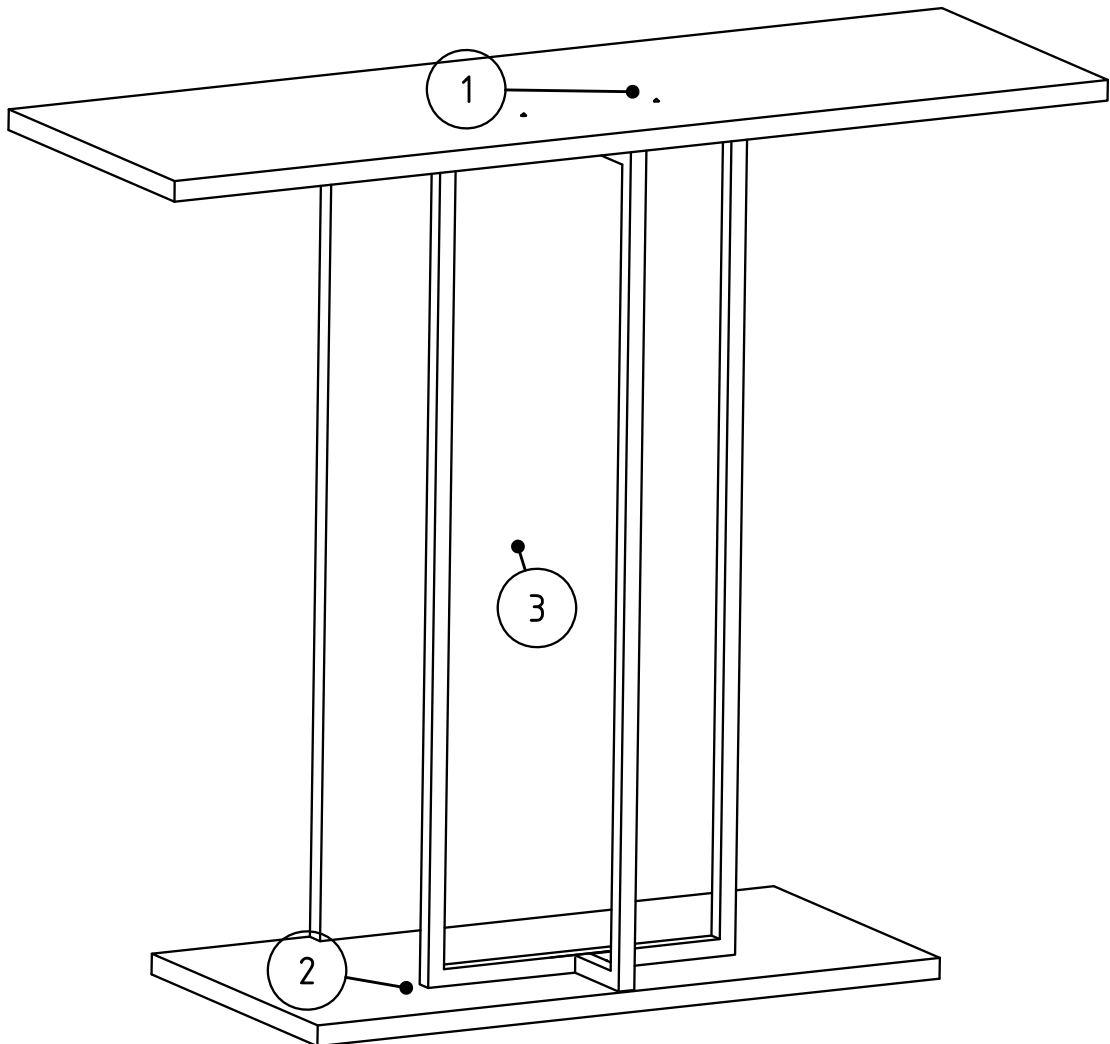


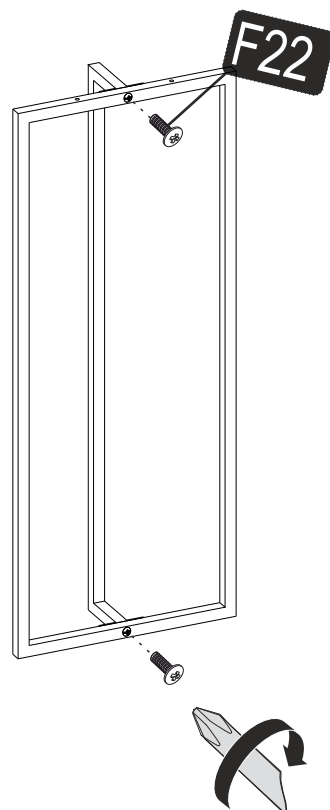
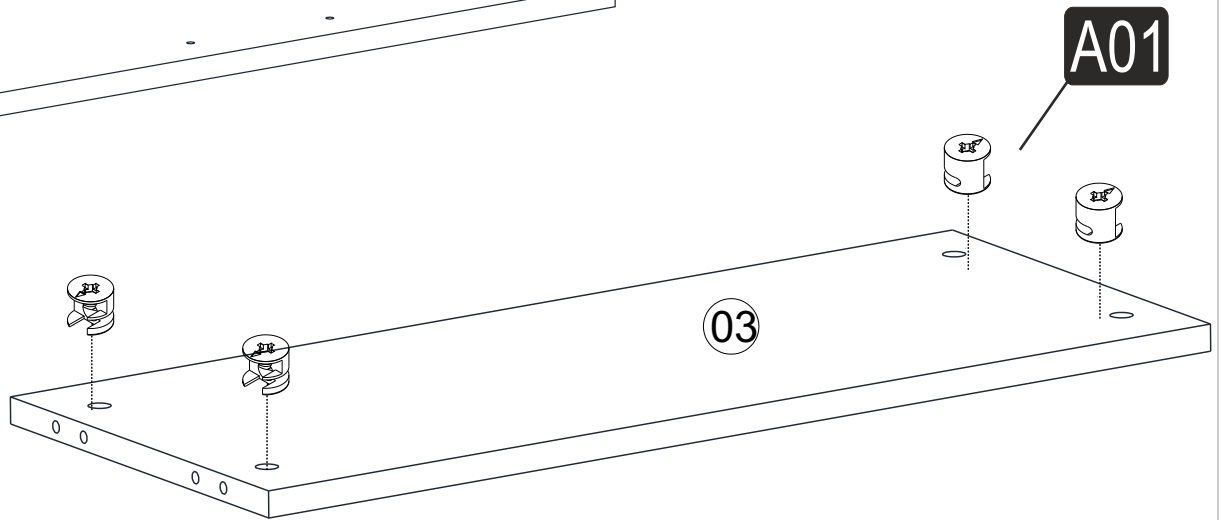
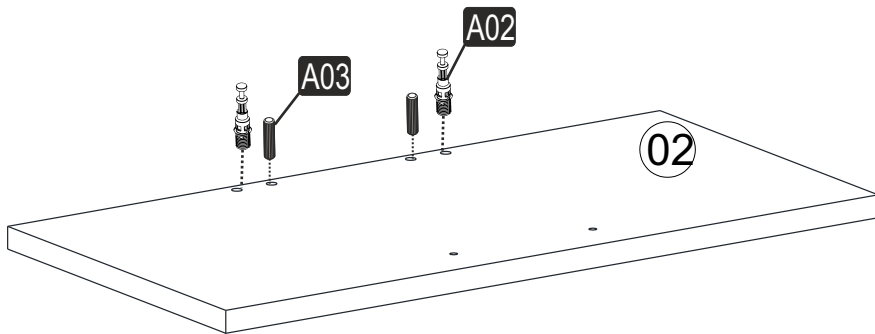
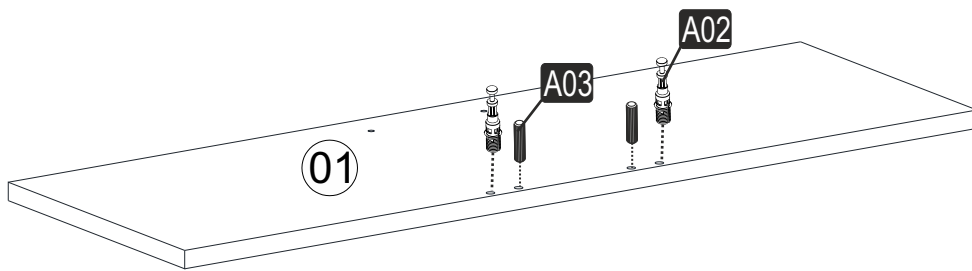
i GP042-0317,1



90 x 29,6 x 76,8cm

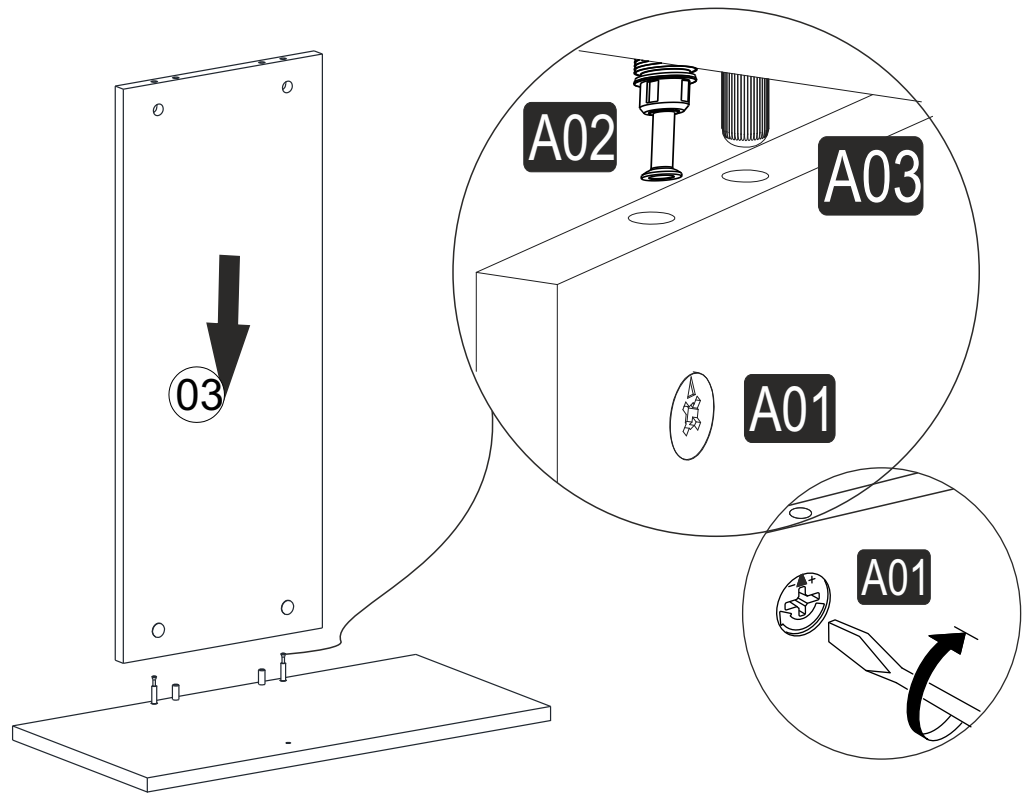
A02  4x	A01  4x	A03  4x	A04  D 4x	F22 M6x25  4x	H96 DKR-549 H732*296*20  <small>RENK: 09620.PS937</small> 1x
A10 3,5x18  2x	A29 3,5x30 YHB  2x	A07  2x	D69 Ø8 Lik  2x	A09 4x50 YHB  2x	H97 DKR-550 H732*80*20  <small>RENK: 09620.PS937</small> 2x



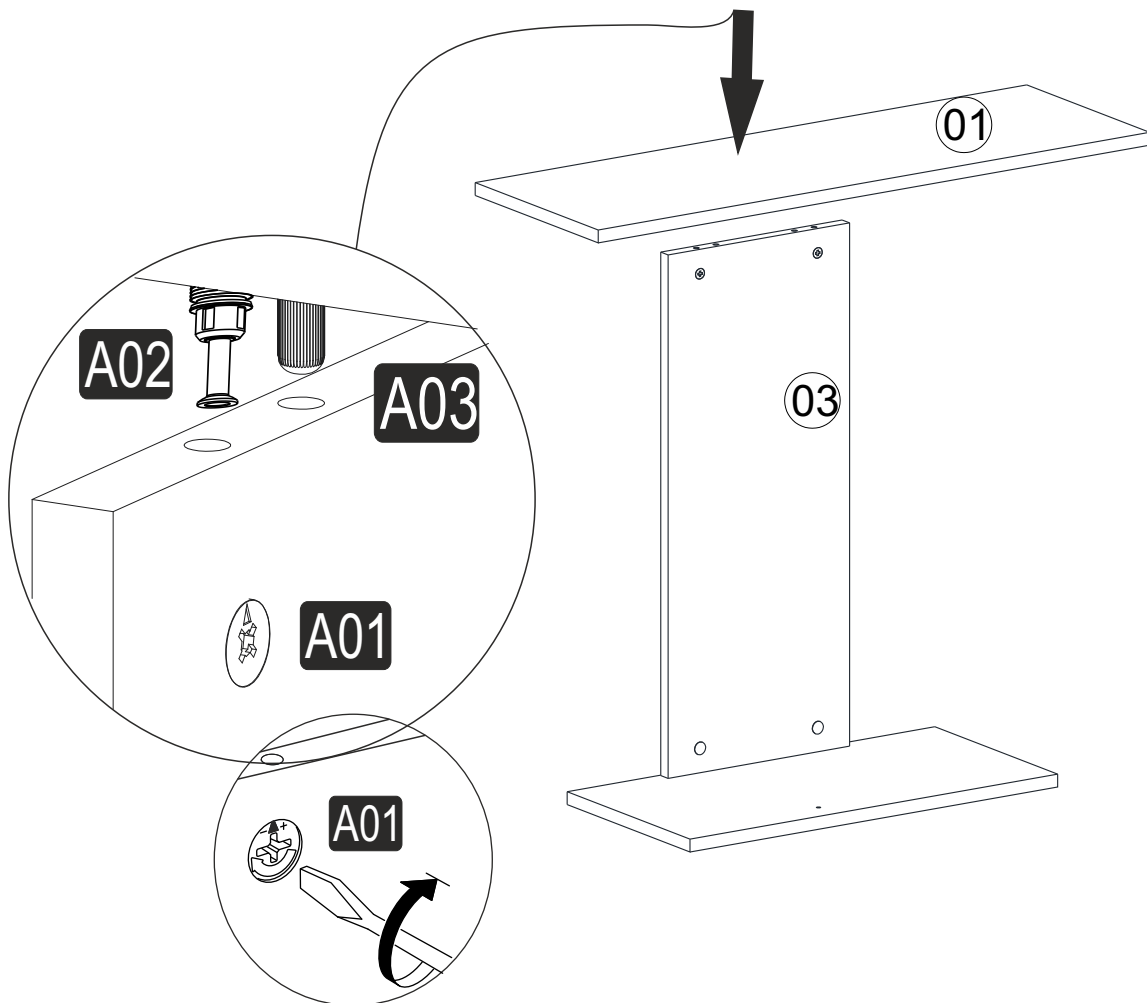


6

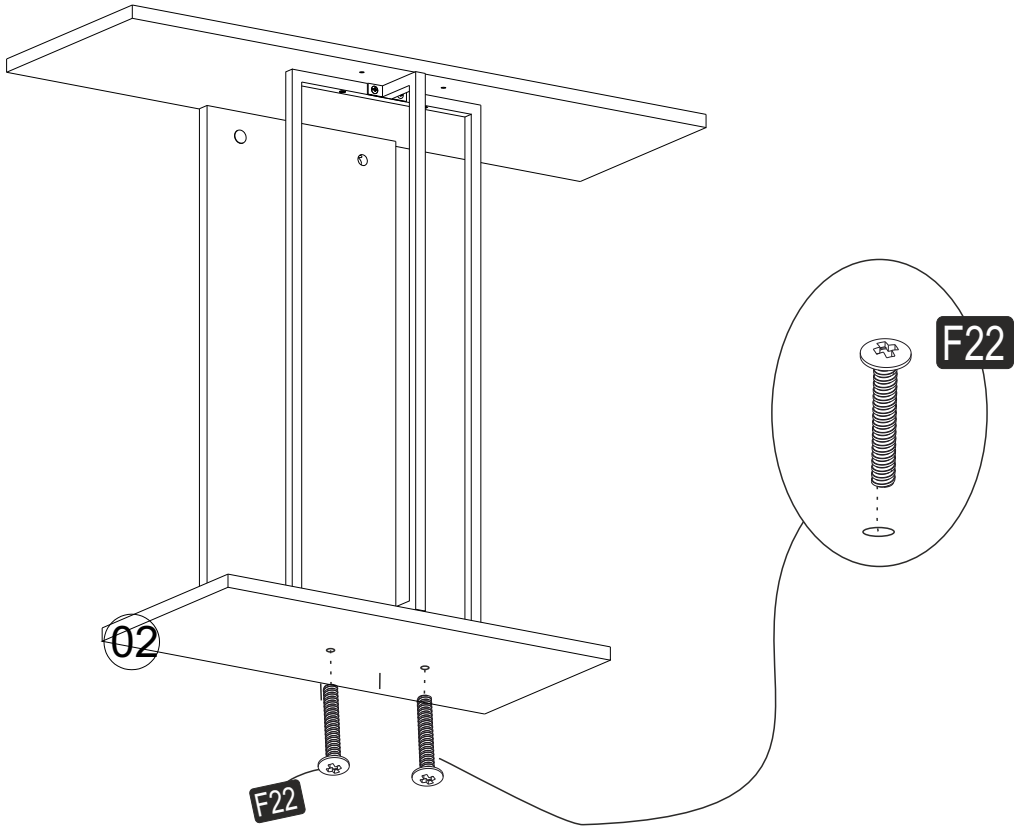
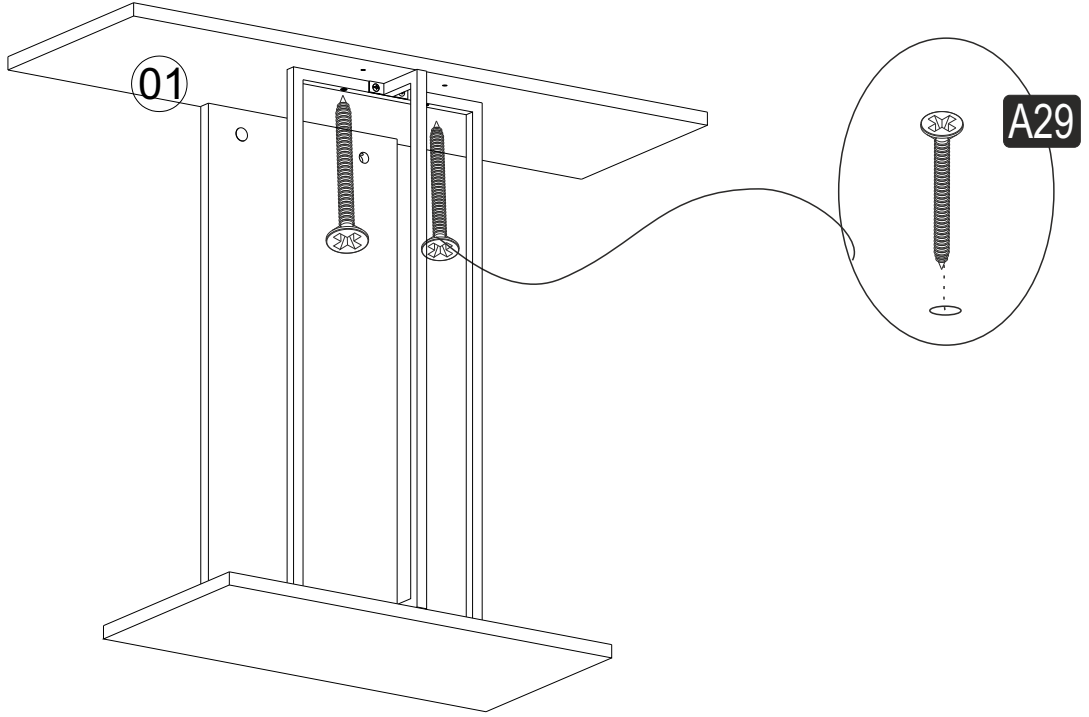
1



2



3



PART-1

PART-2

