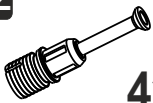




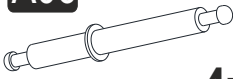
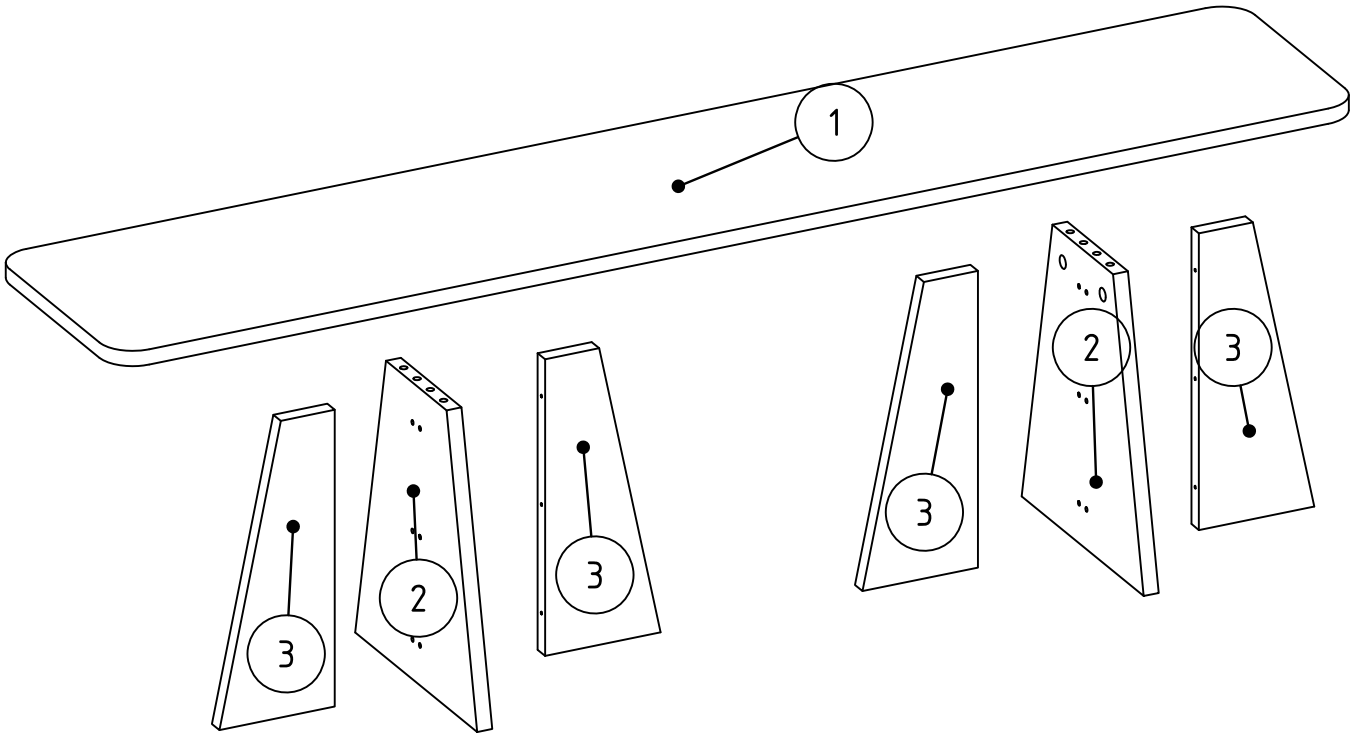


i GP042-0318,1

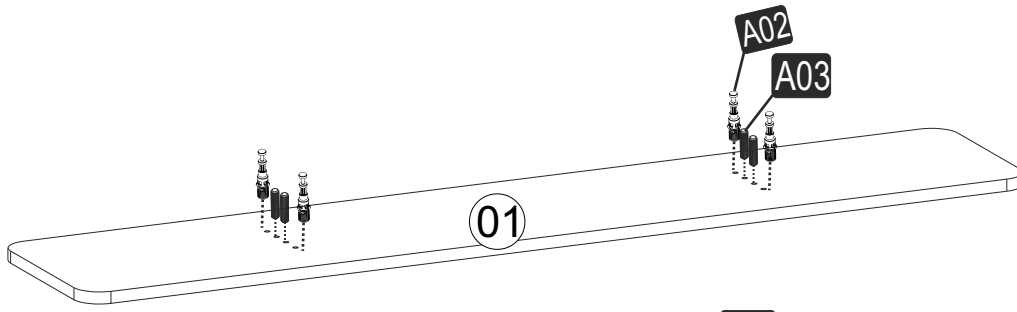


150 x 29,6 x 36,8cm

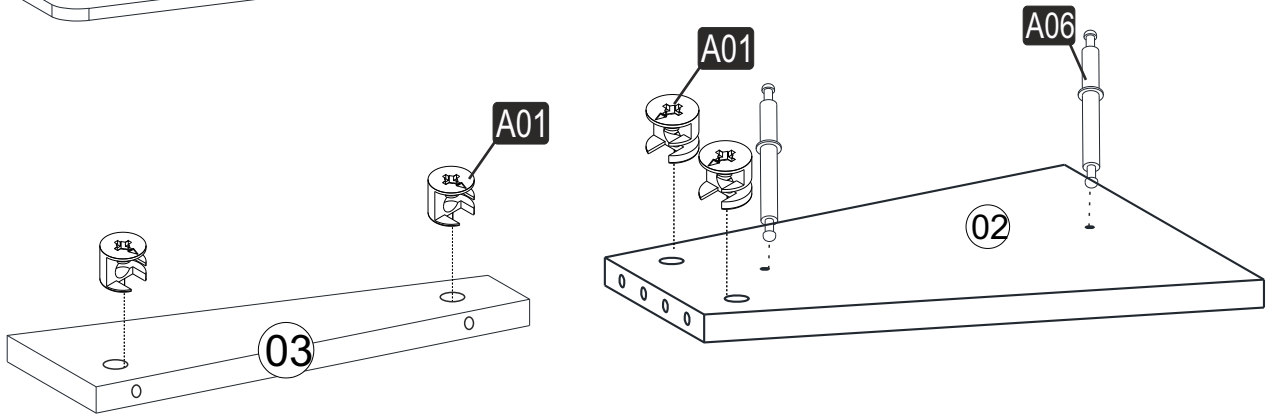
| | | | | |
|--------------------------------------------------------------------------------------------------------------|---------------------------------------------------------------------------------------------------------------|--------------------------------------------------------------------------------------------------------------|------------------------------------------------------------------------------------------------------------------|----------------------------------------------------------------------------------------------------------------|
| A02  4x | A01  12x | A03  4x | A04  A 12x | G94  8x |
| A06  4x | | | | |



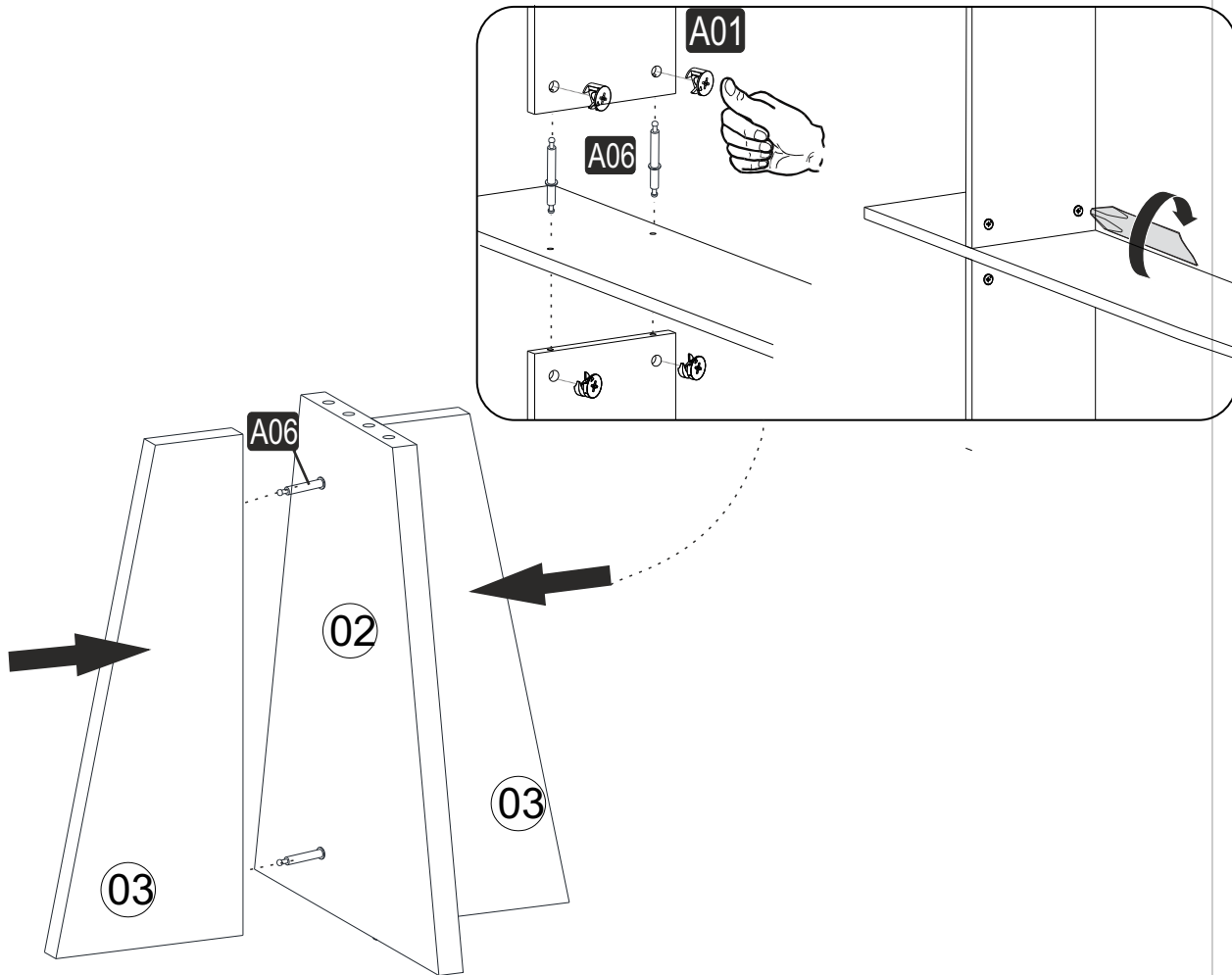
1



2

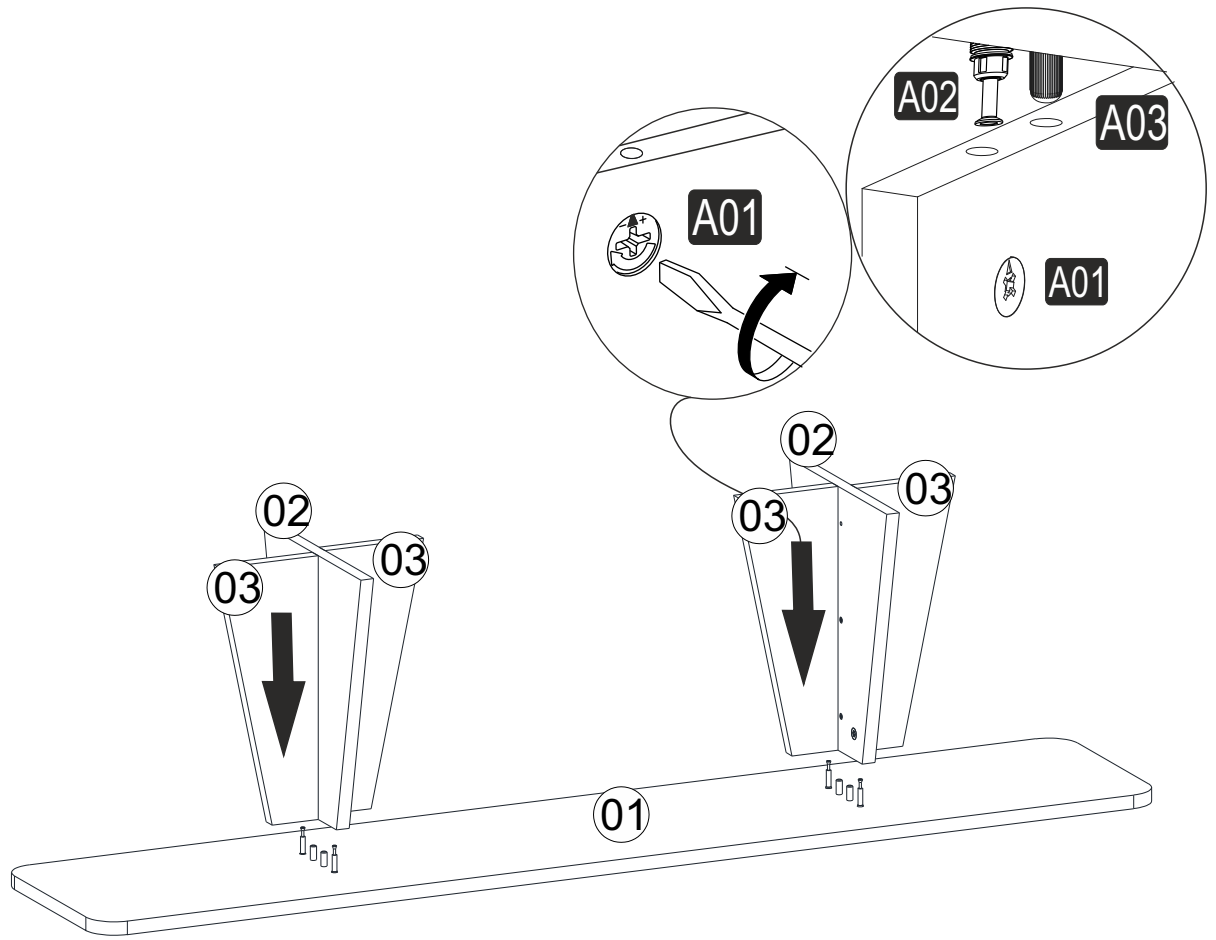


3



6

4



5

