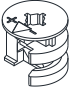
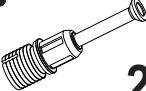


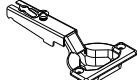



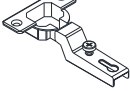
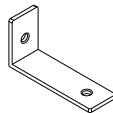
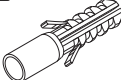


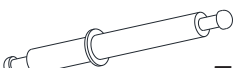
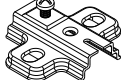
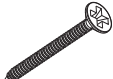
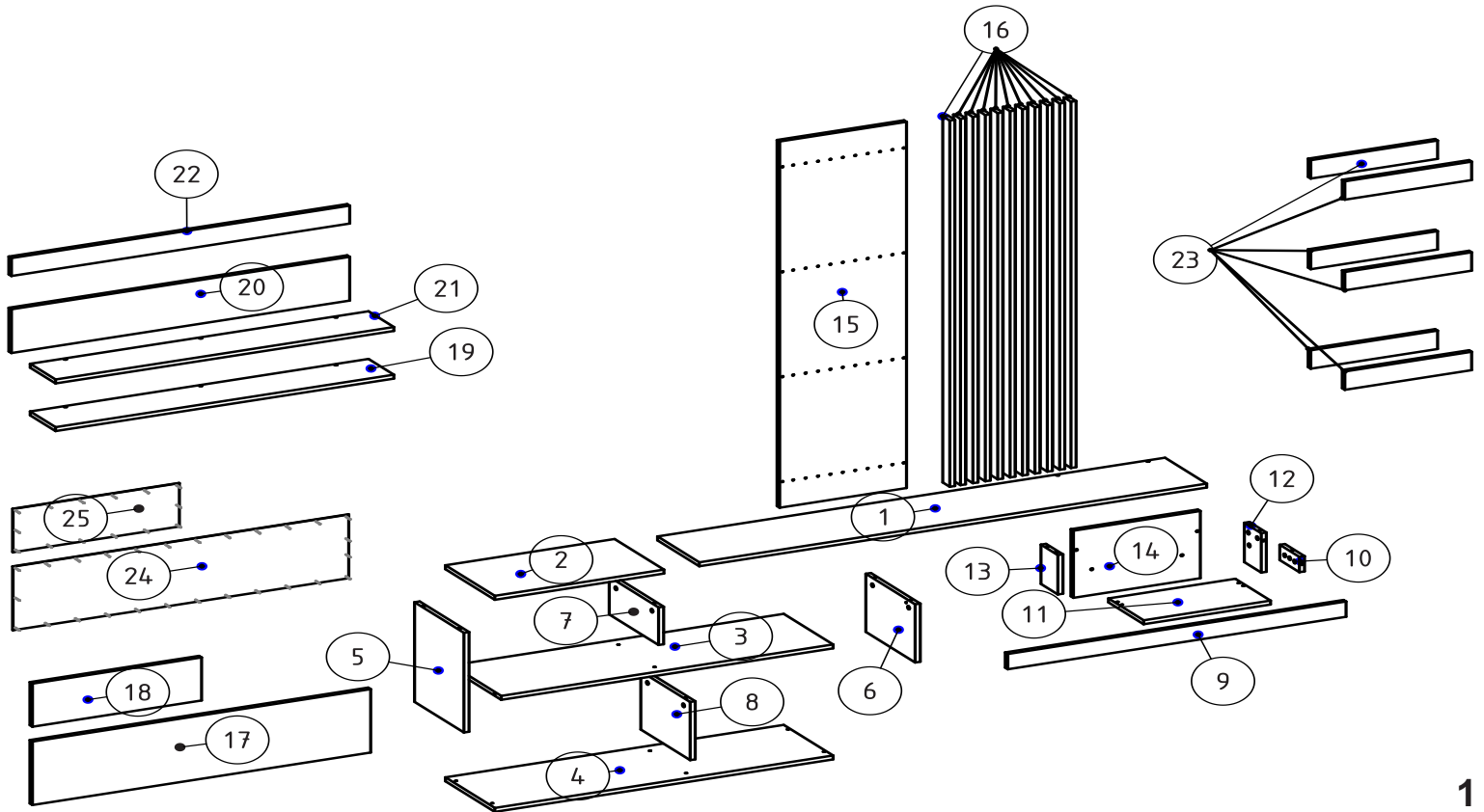


i GP042-0322,1

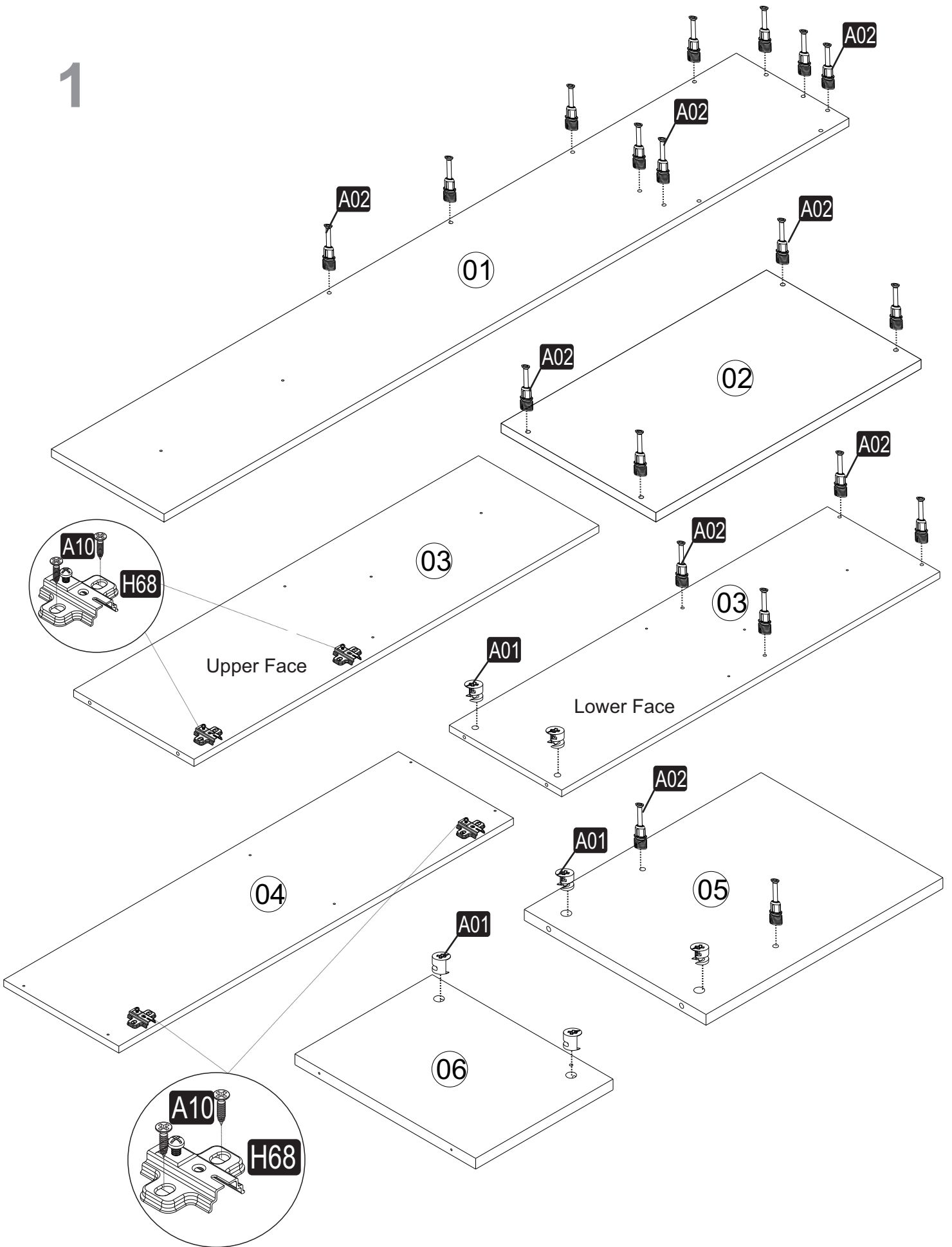


240 x 36,8 x 200cm

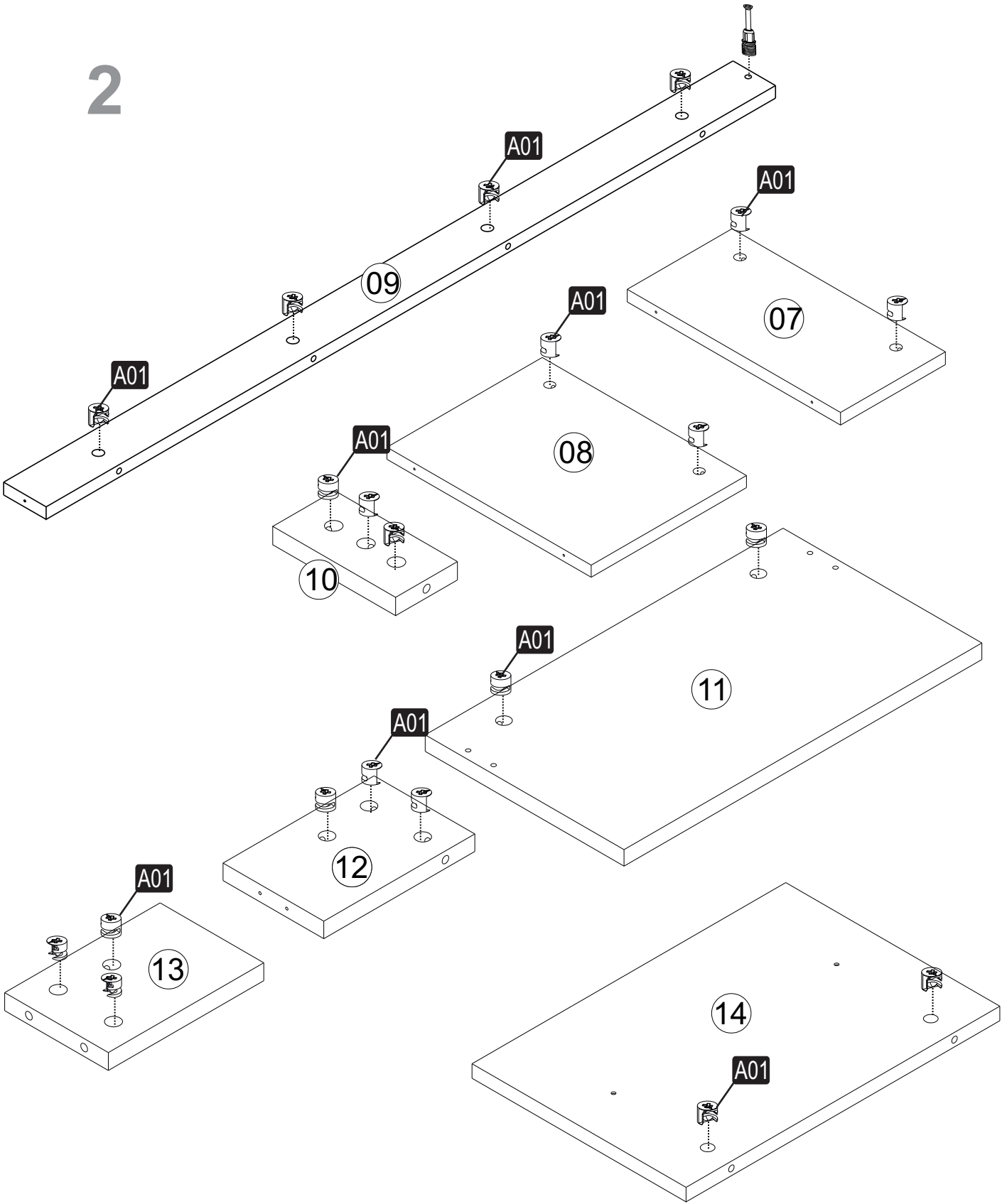
A01  38x	A02  28x	A16  A 65x	A28  41x	A12  2x
A04  A 18x D 20x	D41  4x	A10  28x	A57  2x	E17  4x
D69  4x	A09  63x	A27  4x	A06  5x	A13  4x
A29  2x				



1



2



3

A01

15

A10

A11

17

18

A02

19

A01

20

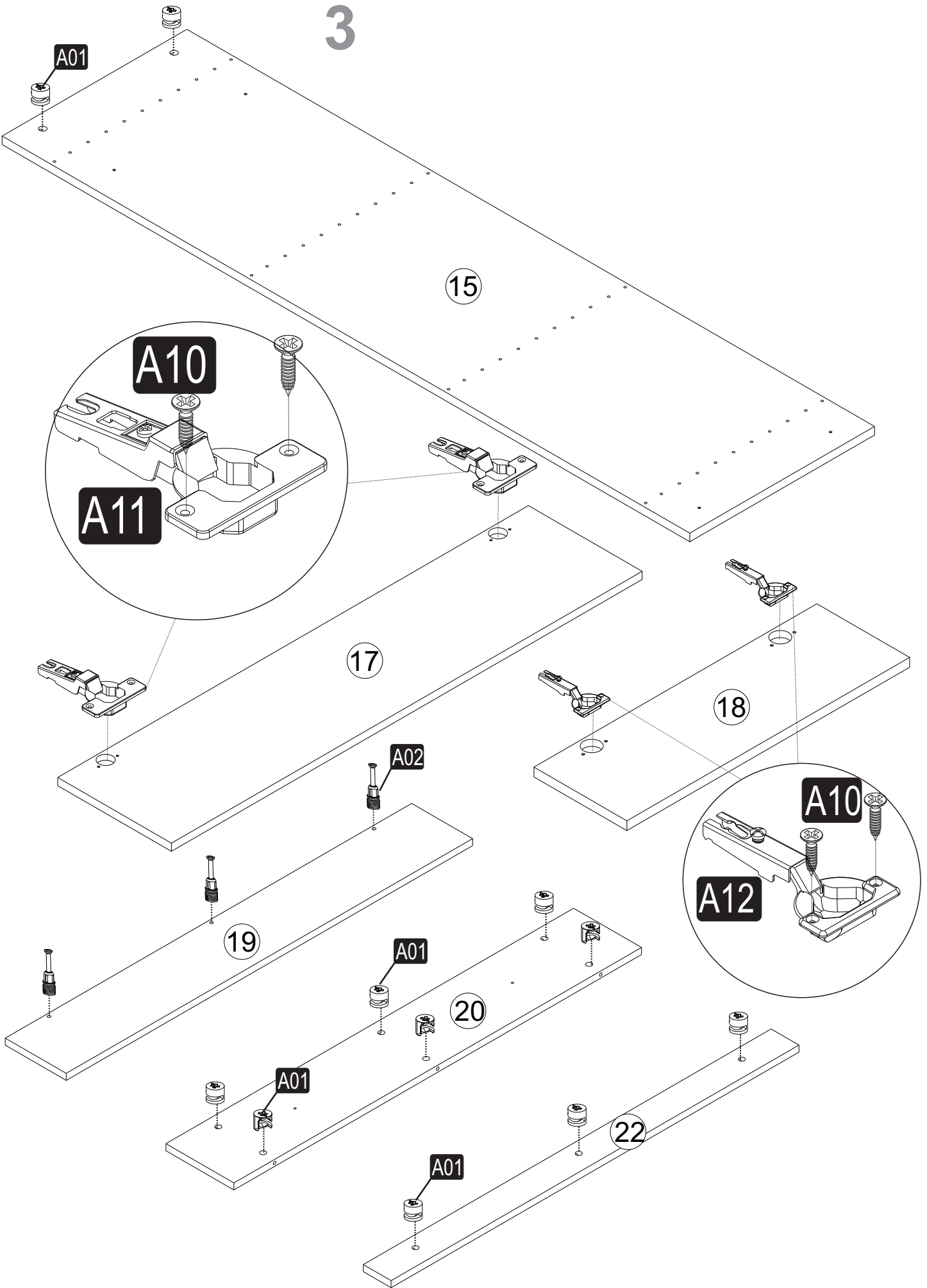
A01

22

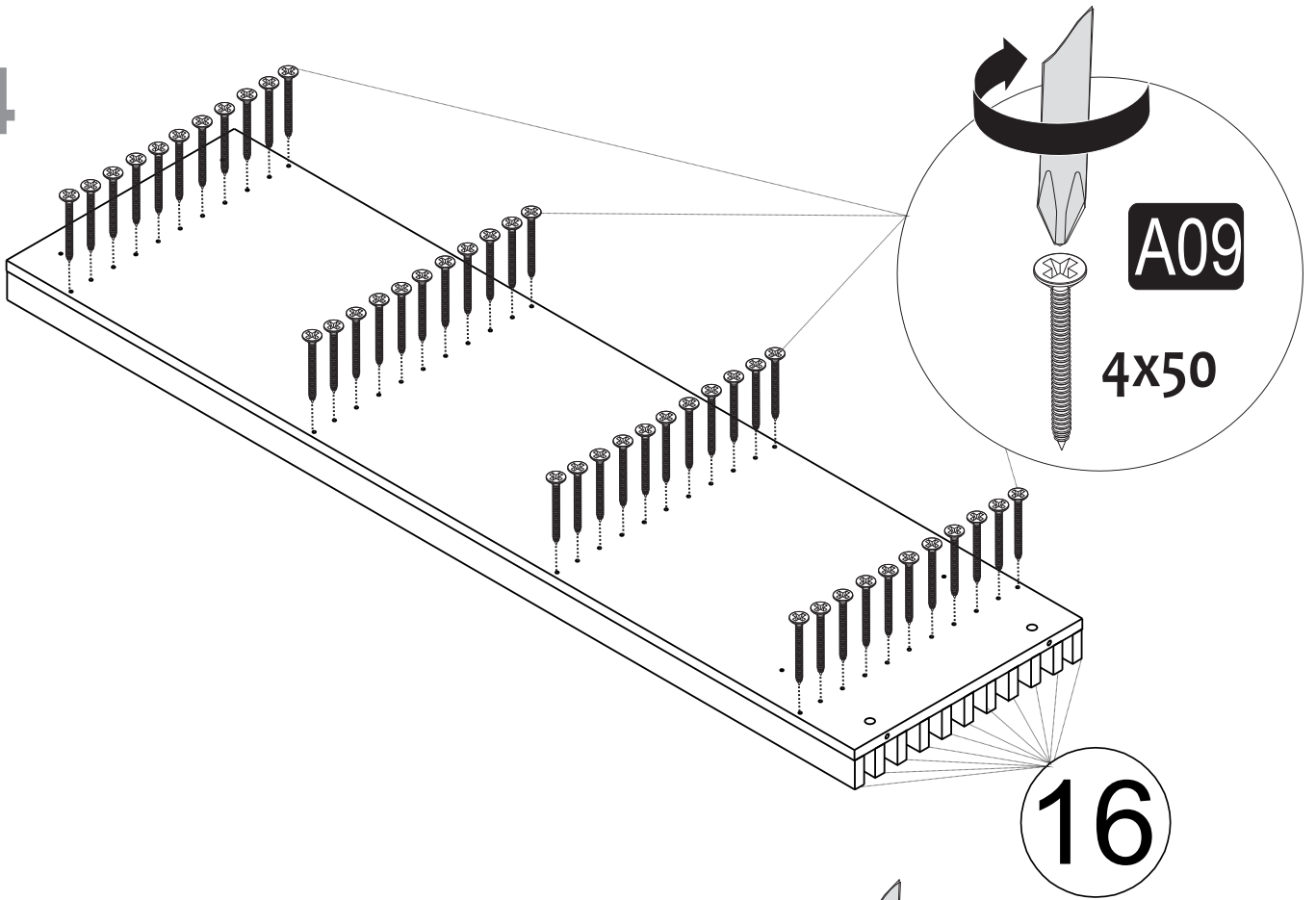
A01

A10

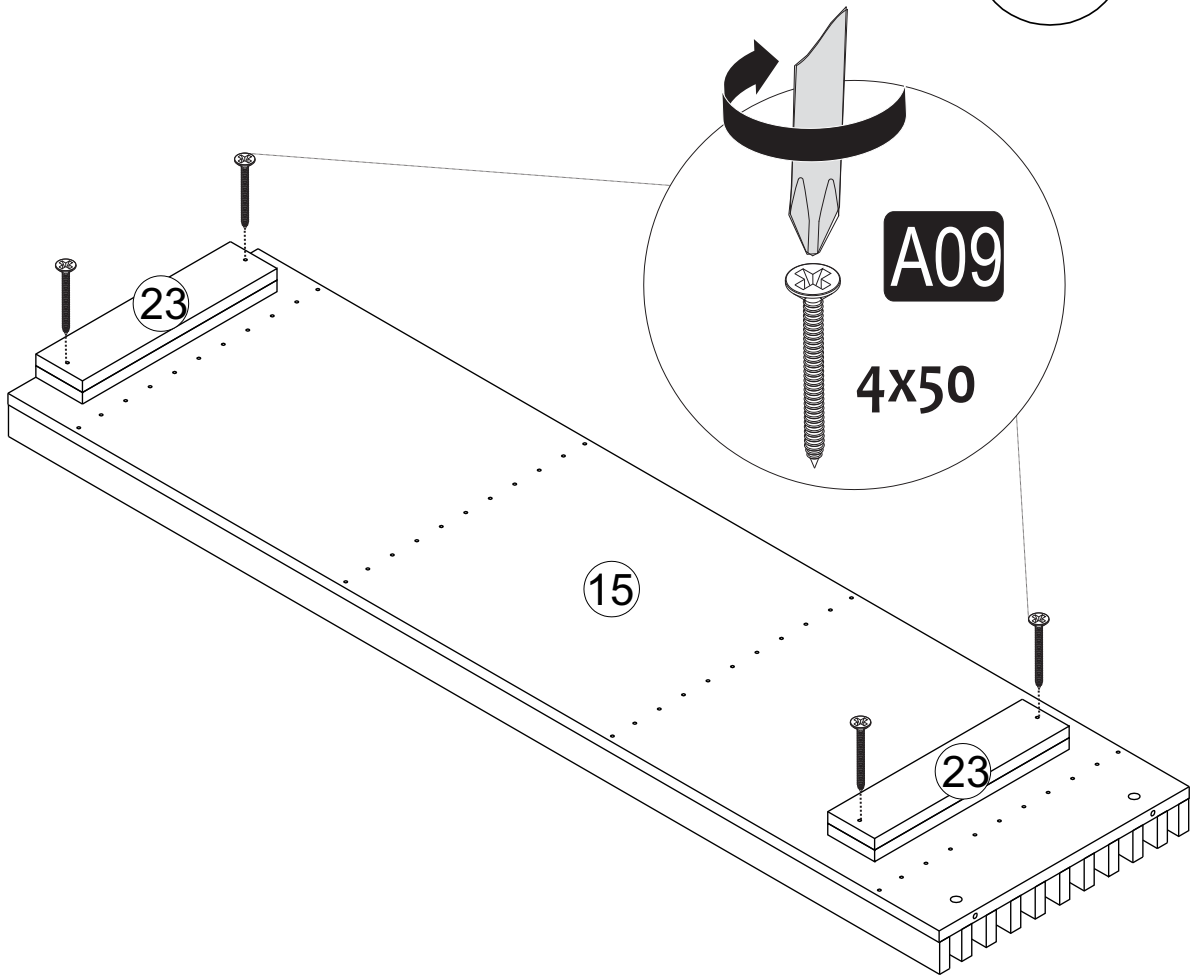
A12



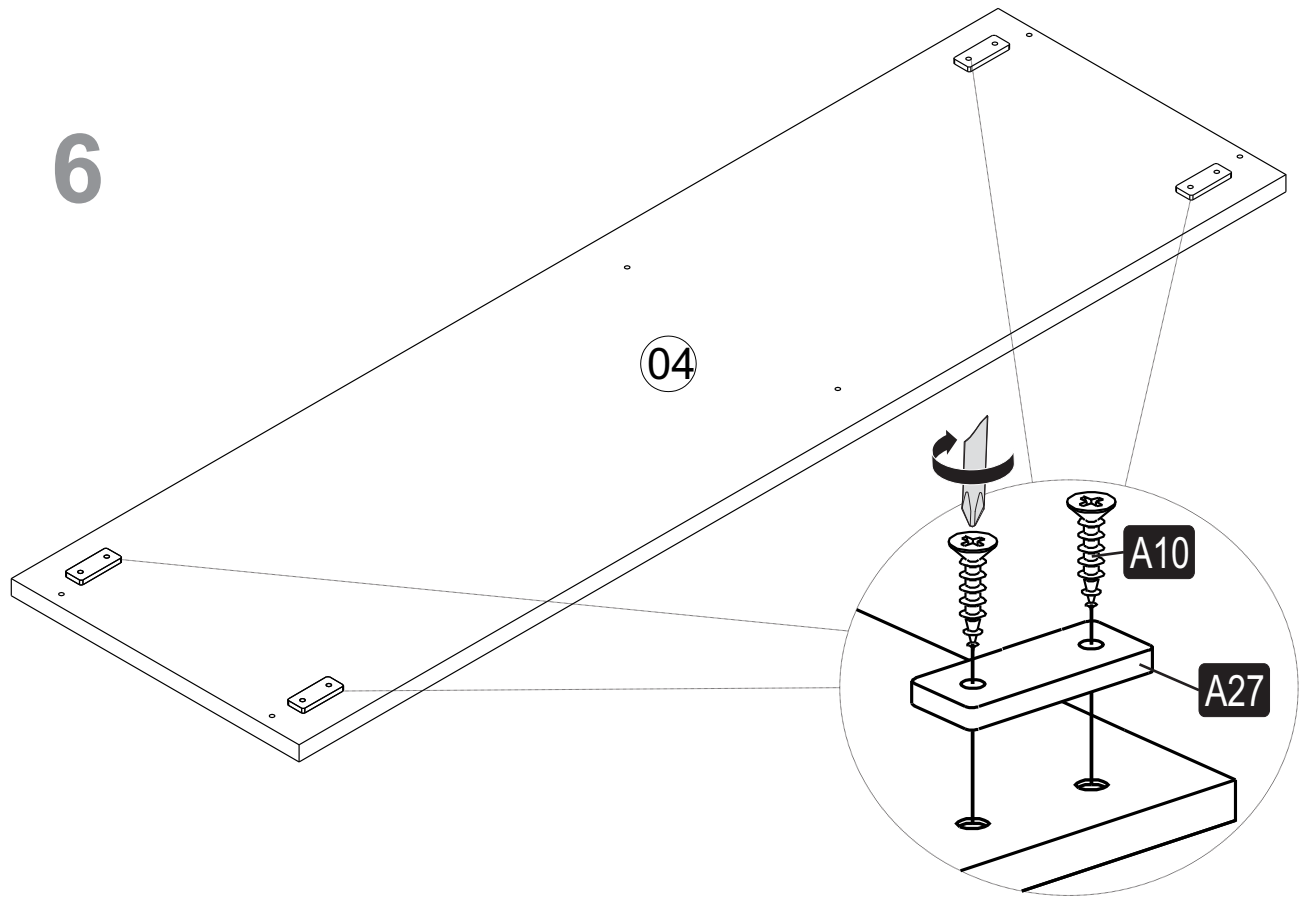
4



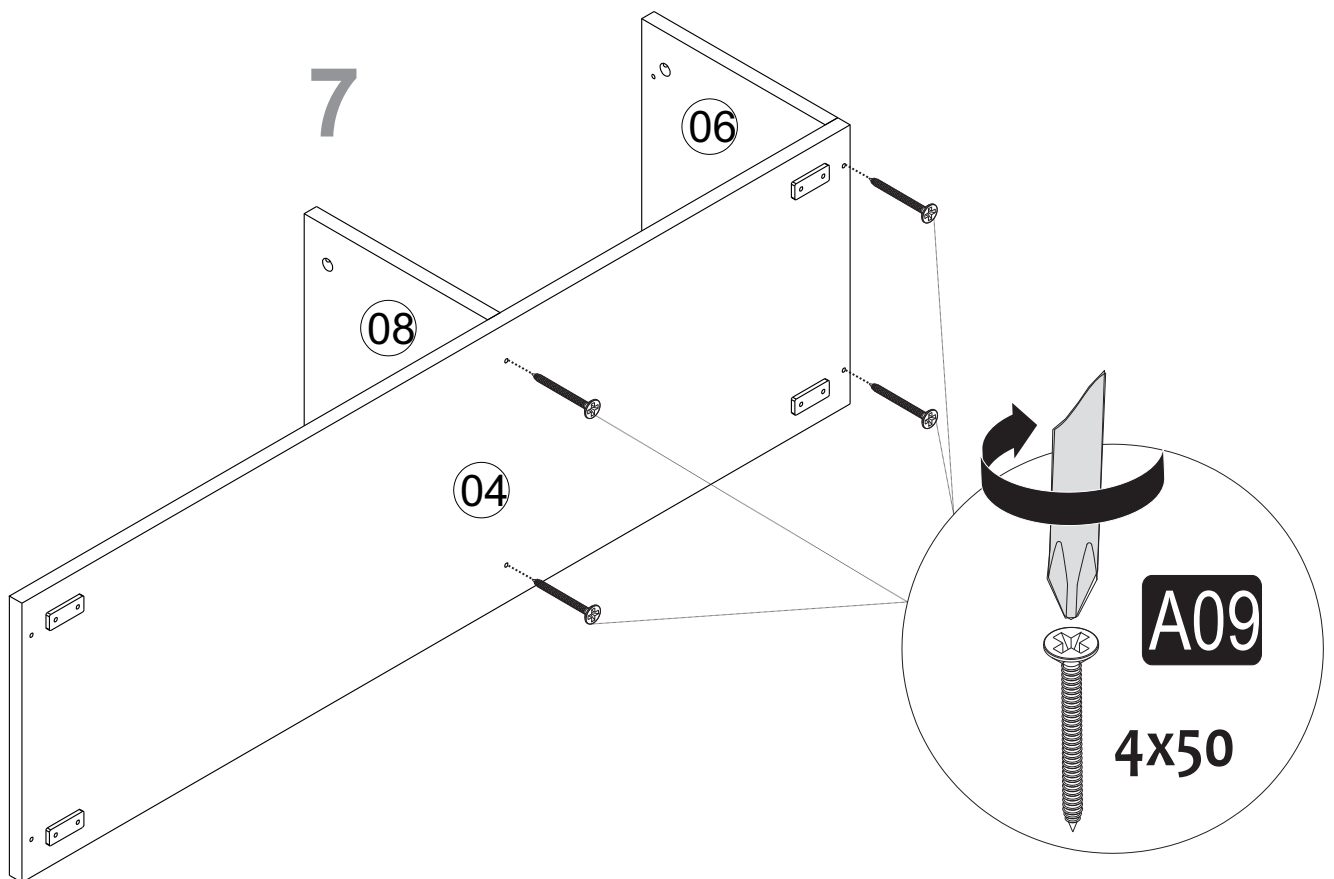
5



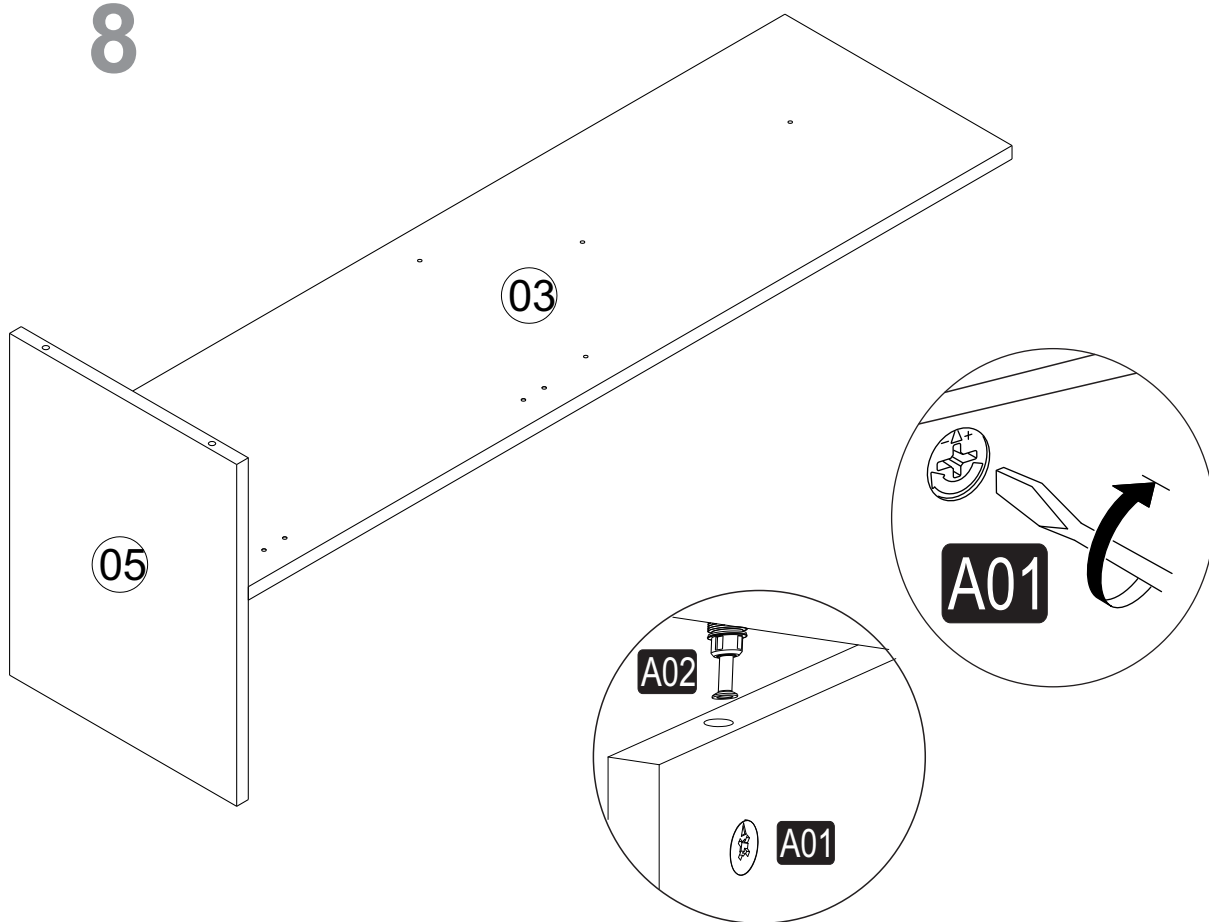
6



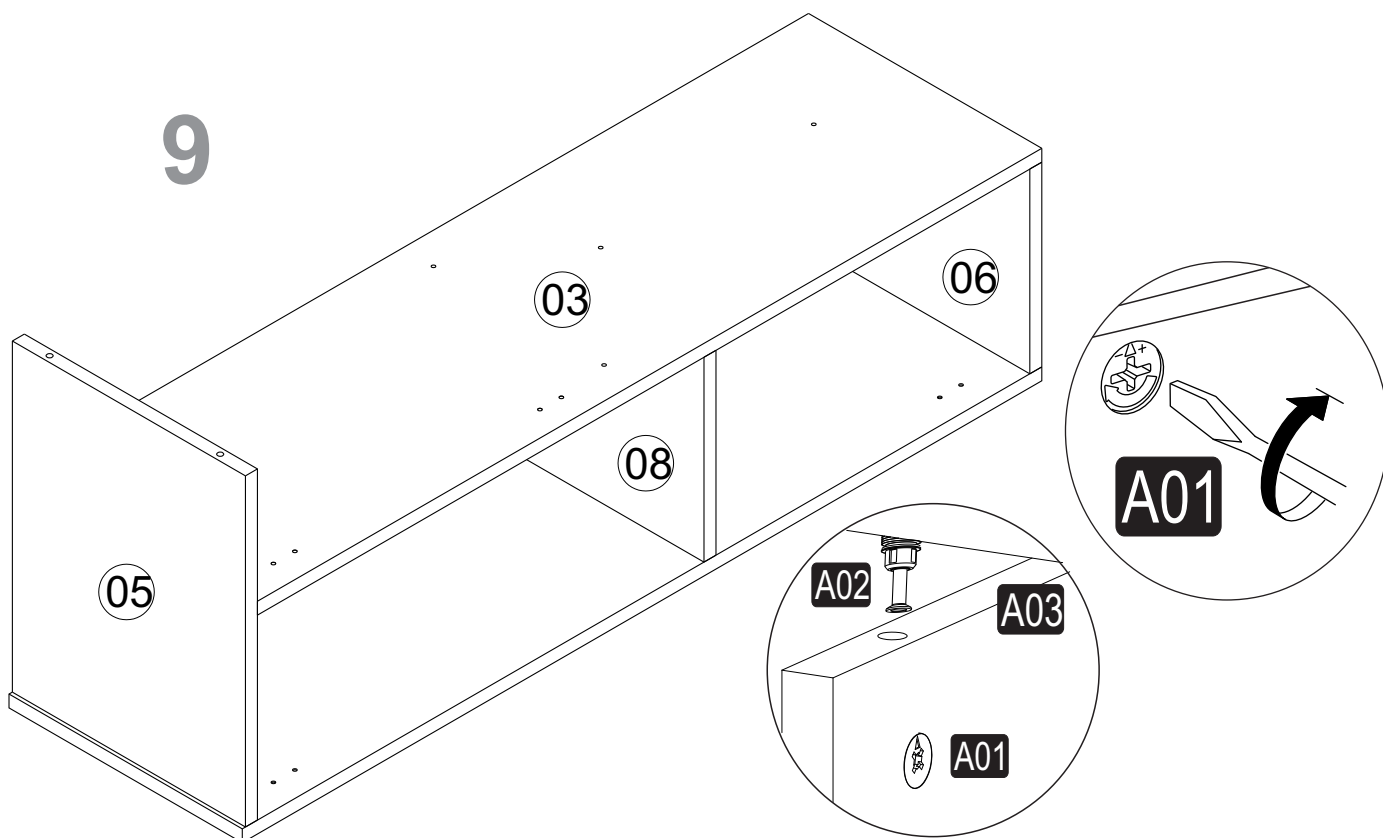
7



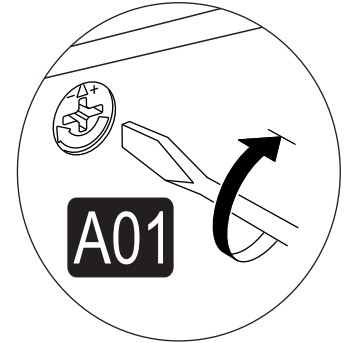
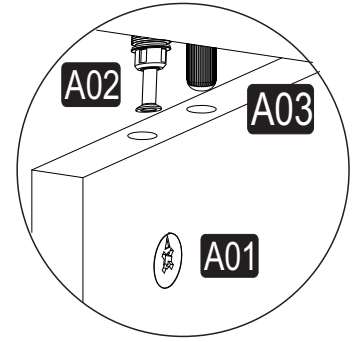
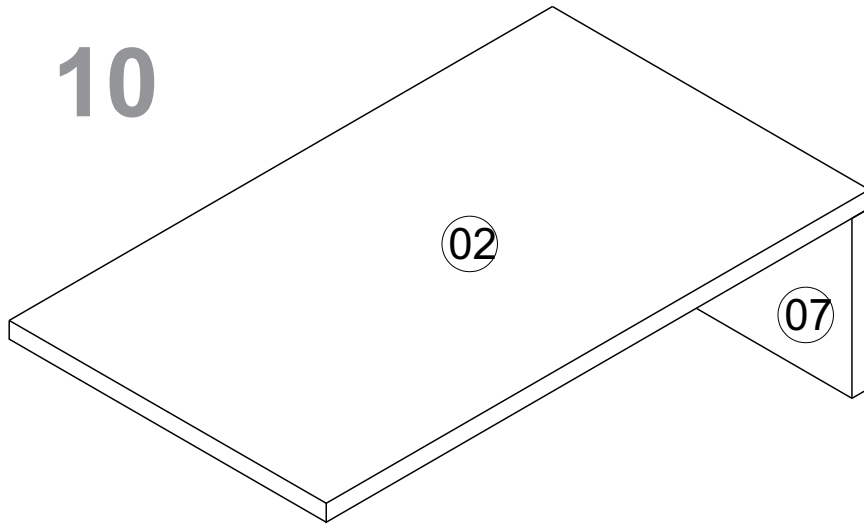
8



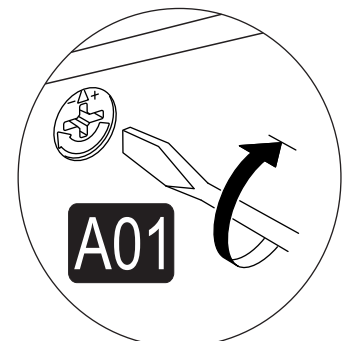
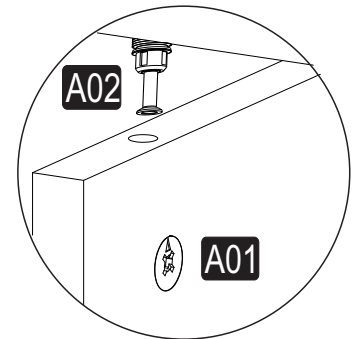
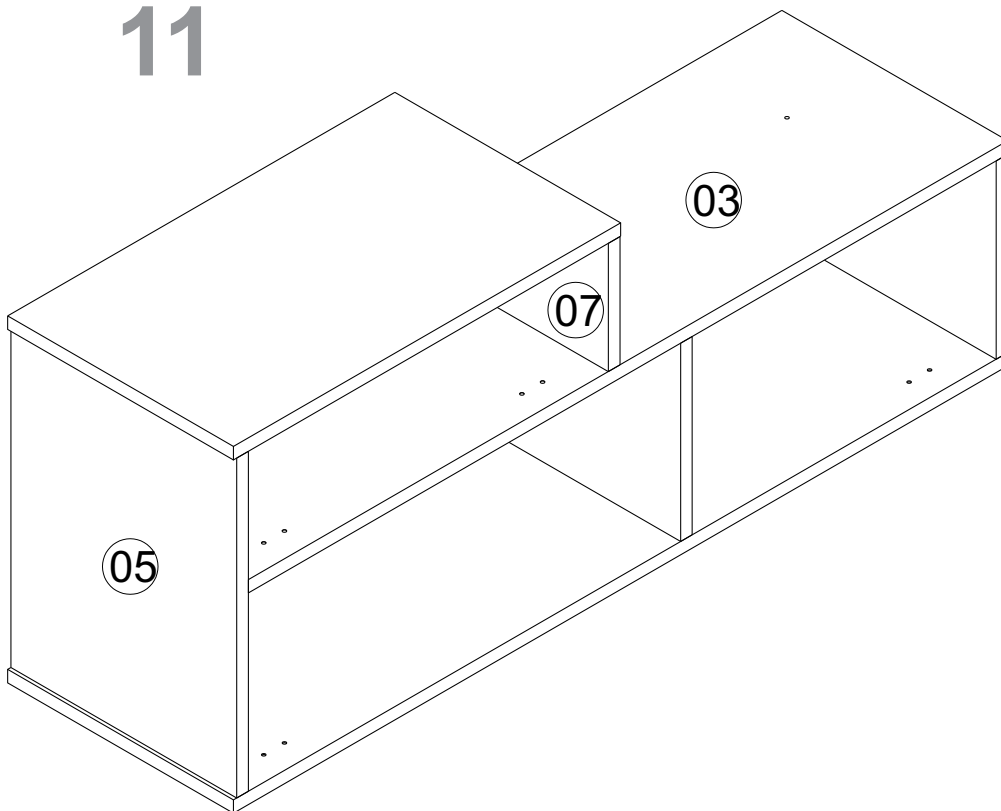
9



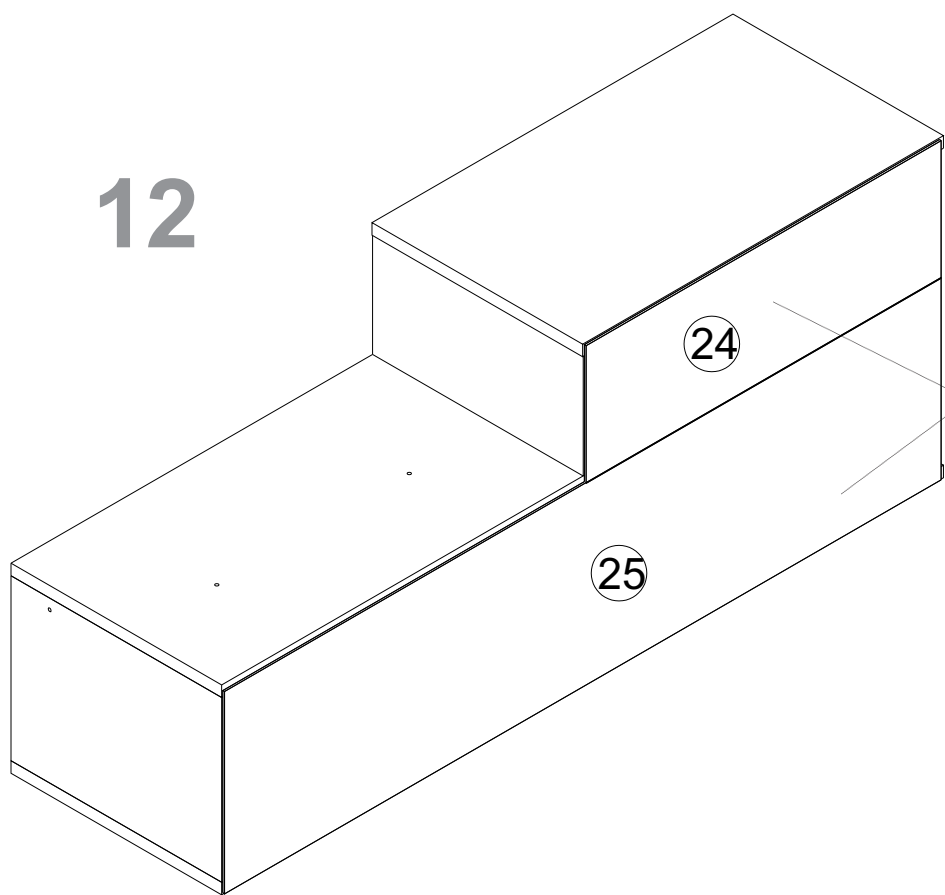
10



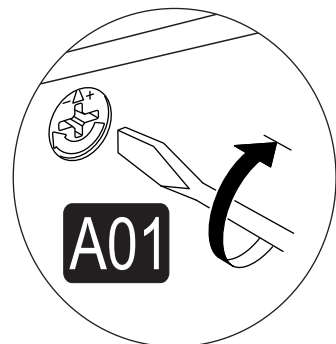
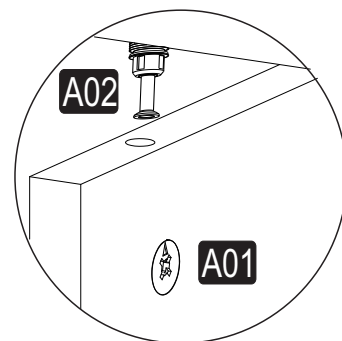
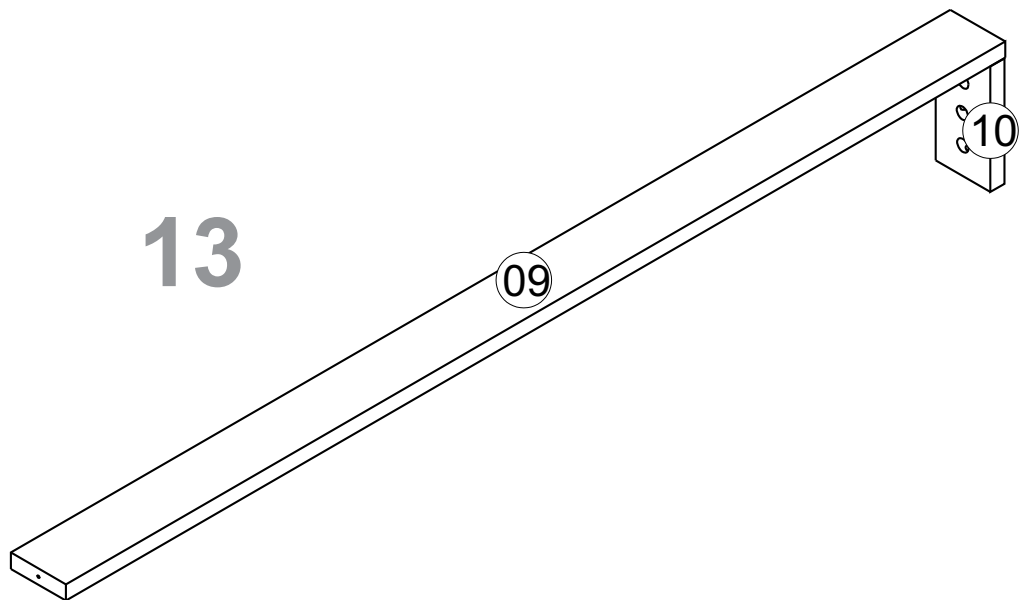
11

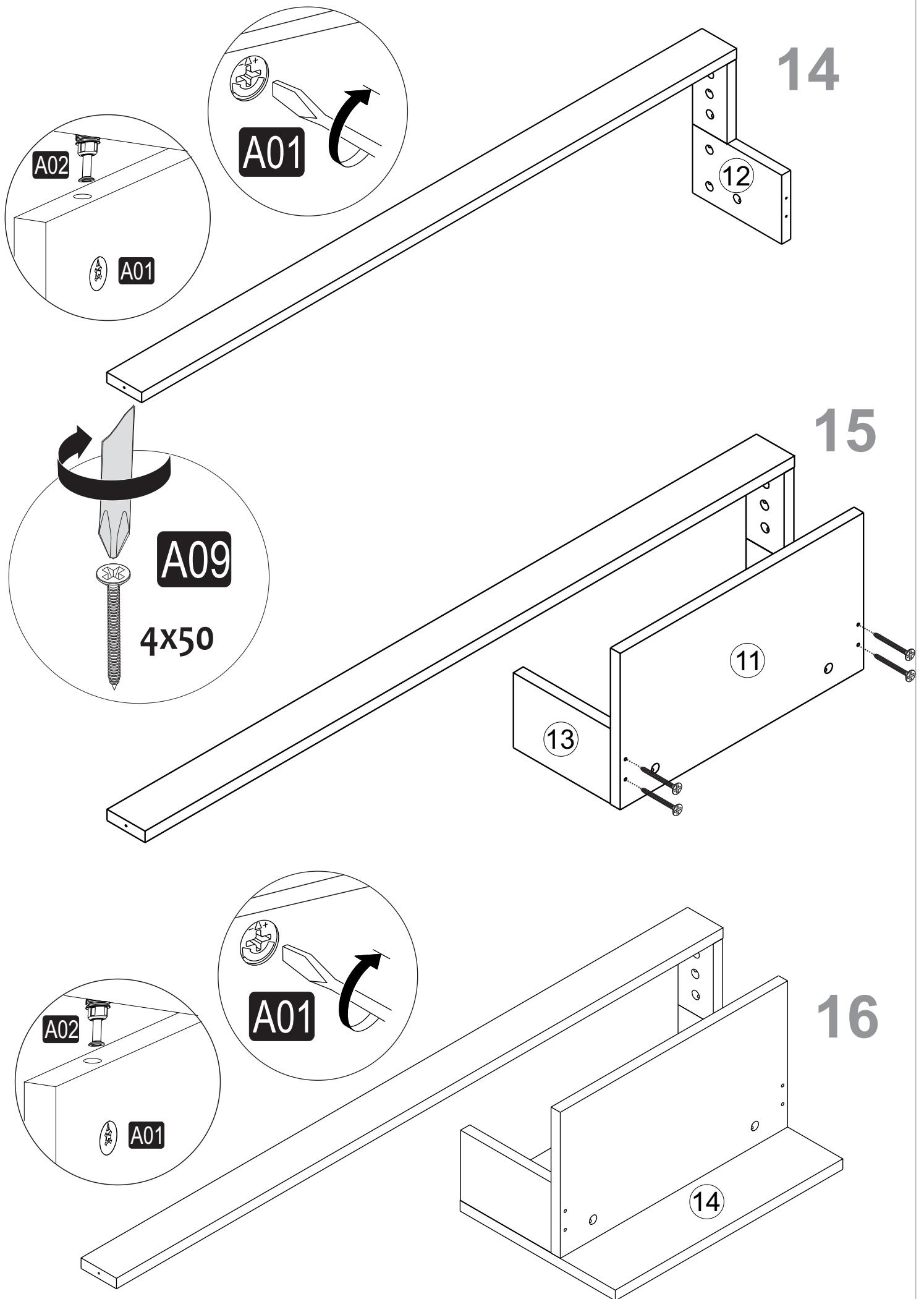


12

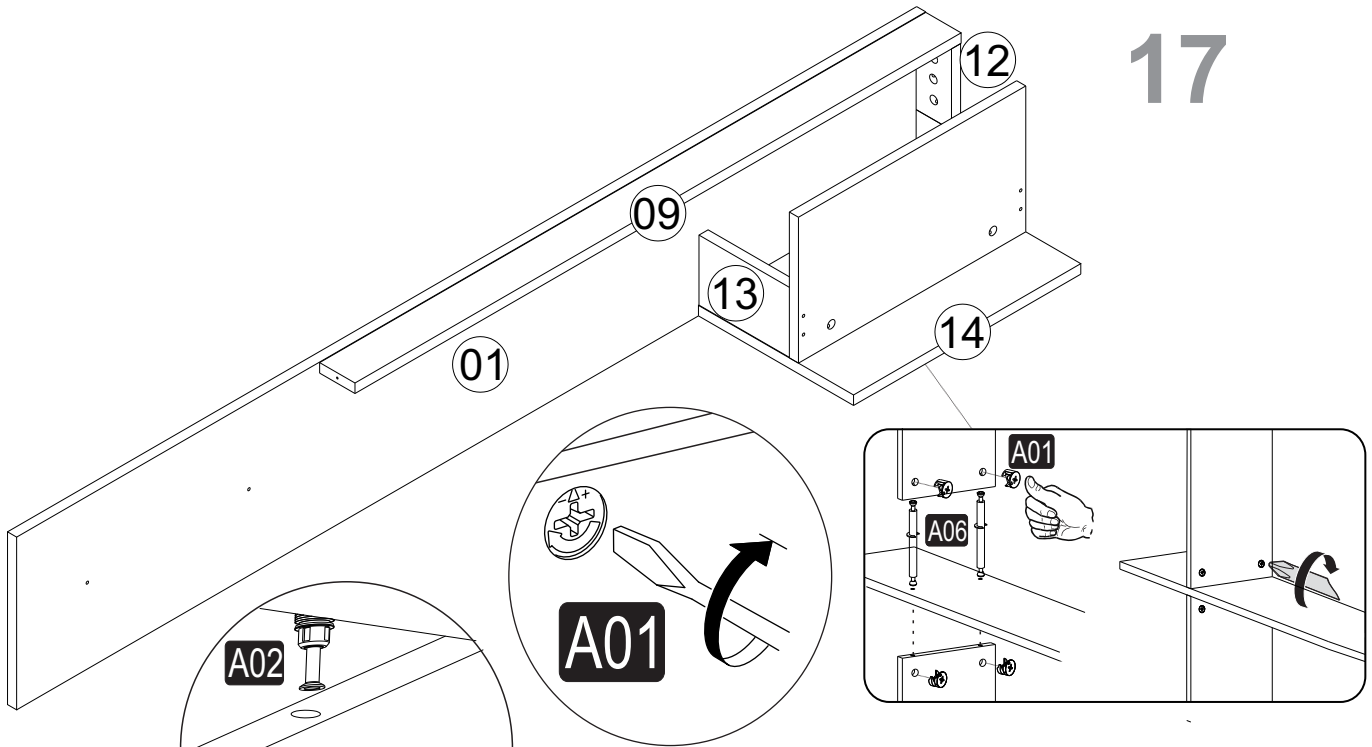


13

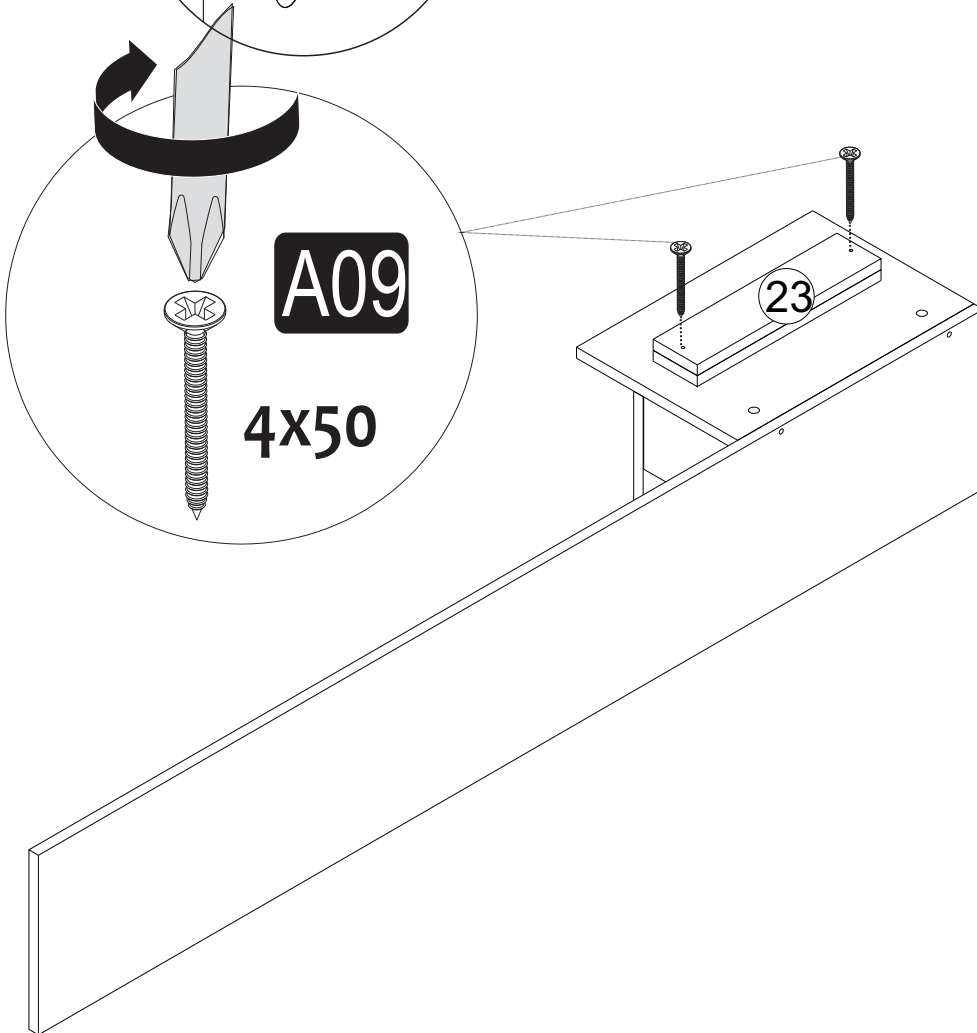




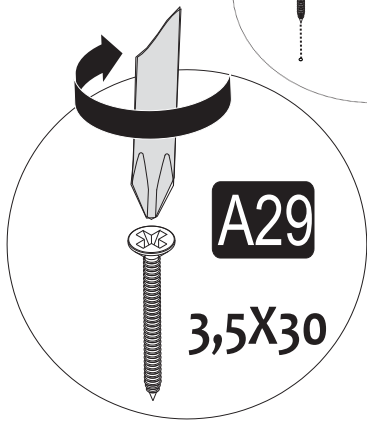
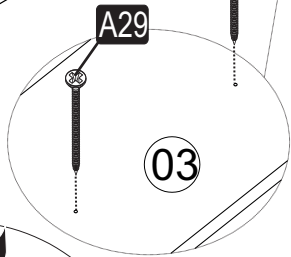
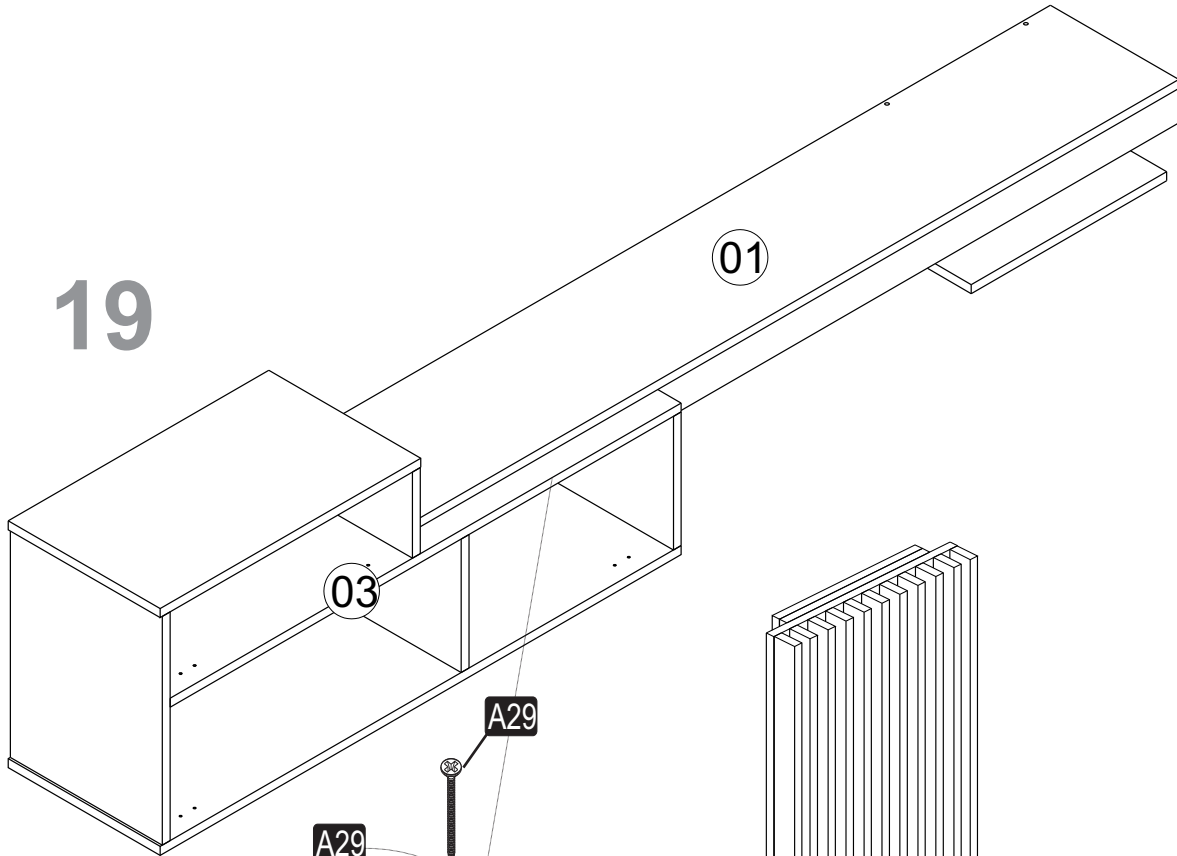
17



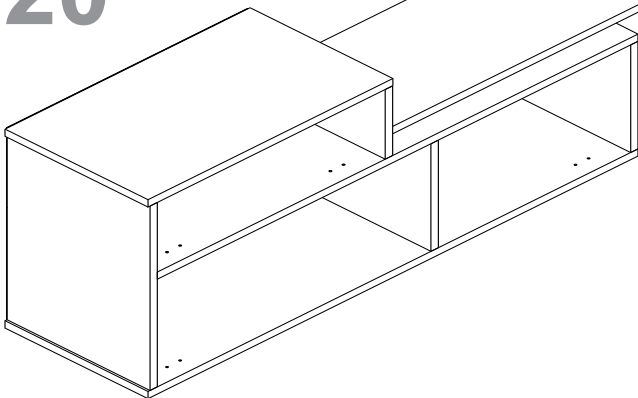
18



19

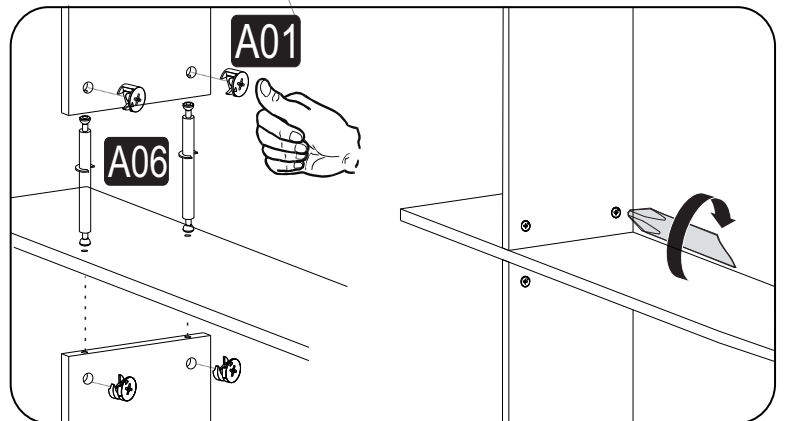


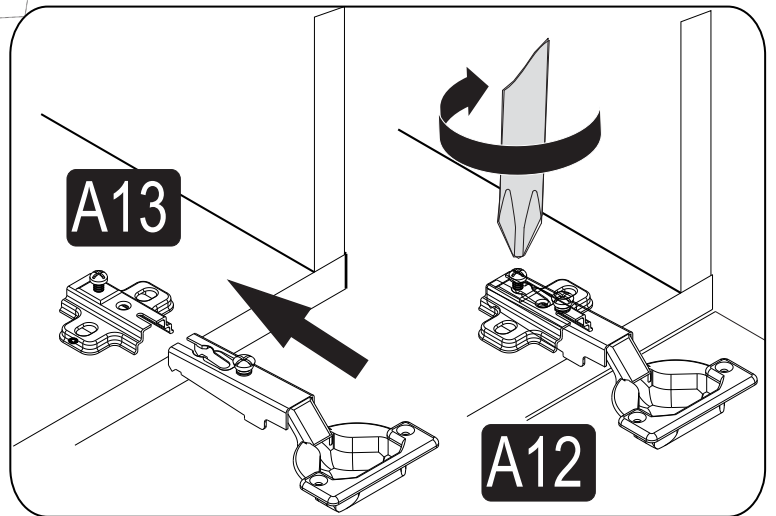
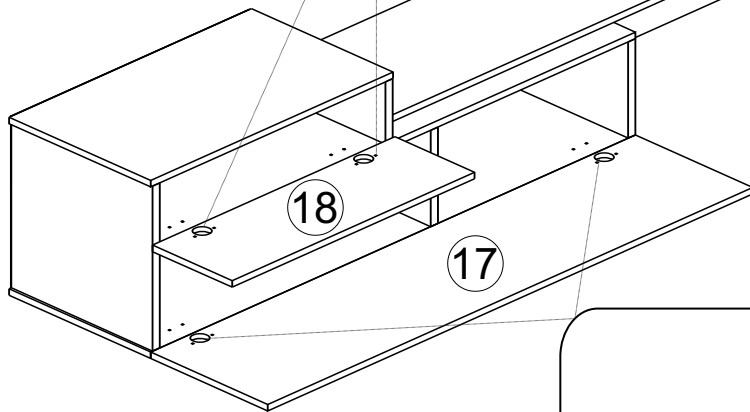
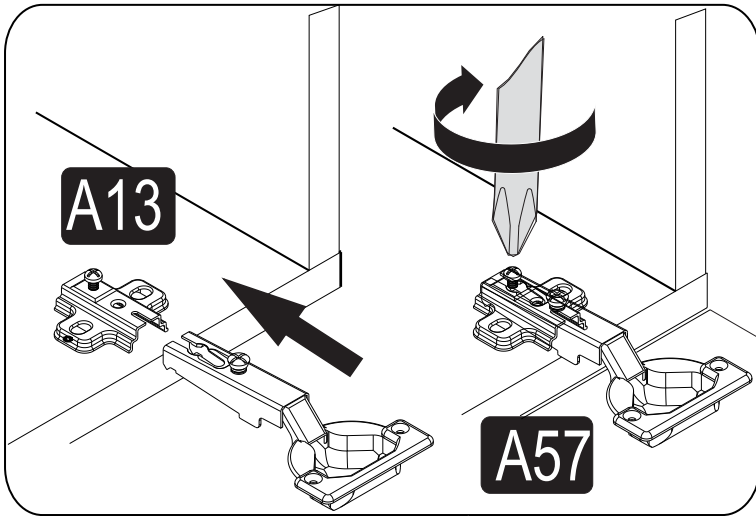
20



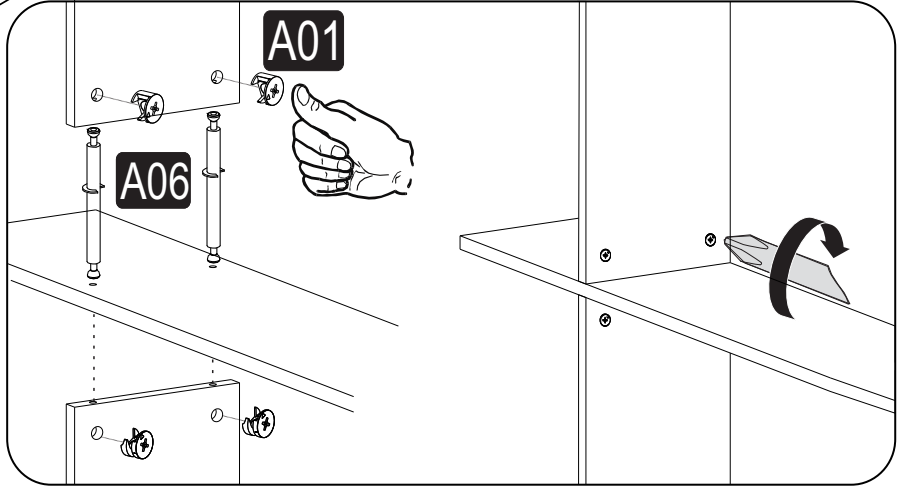
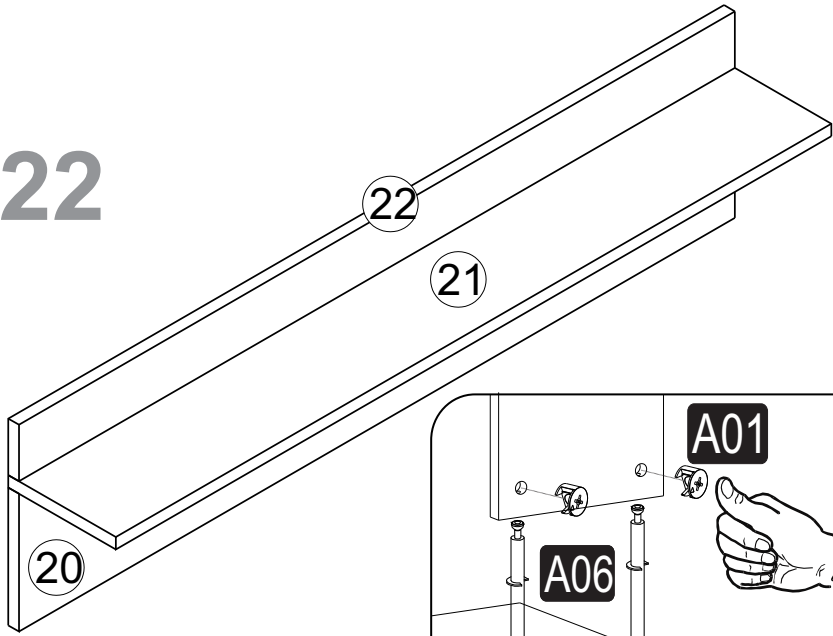
01

15

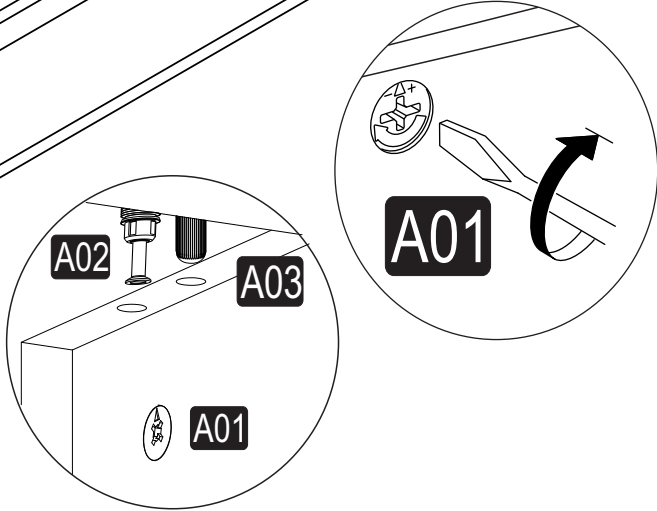
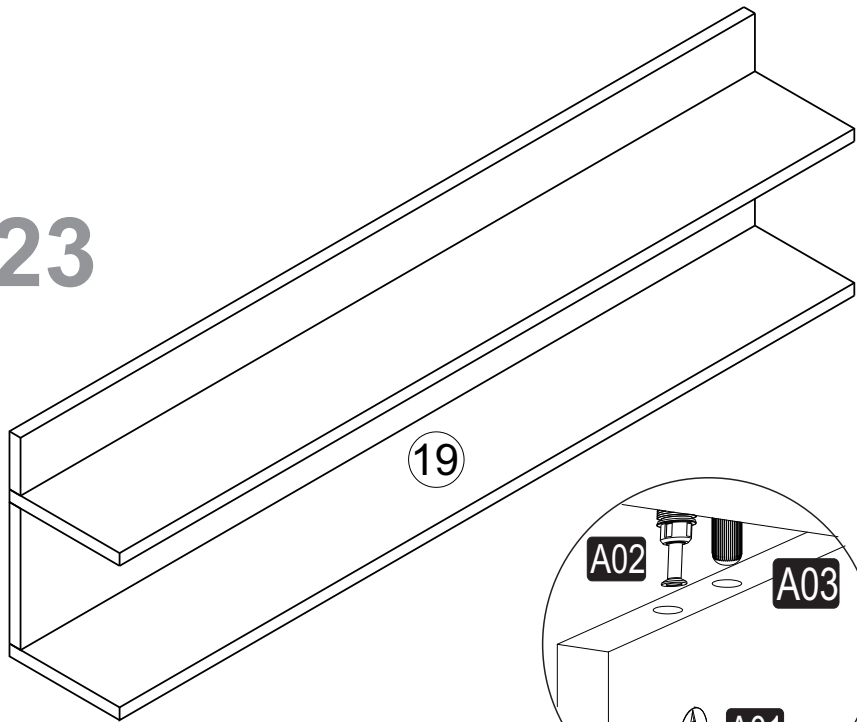




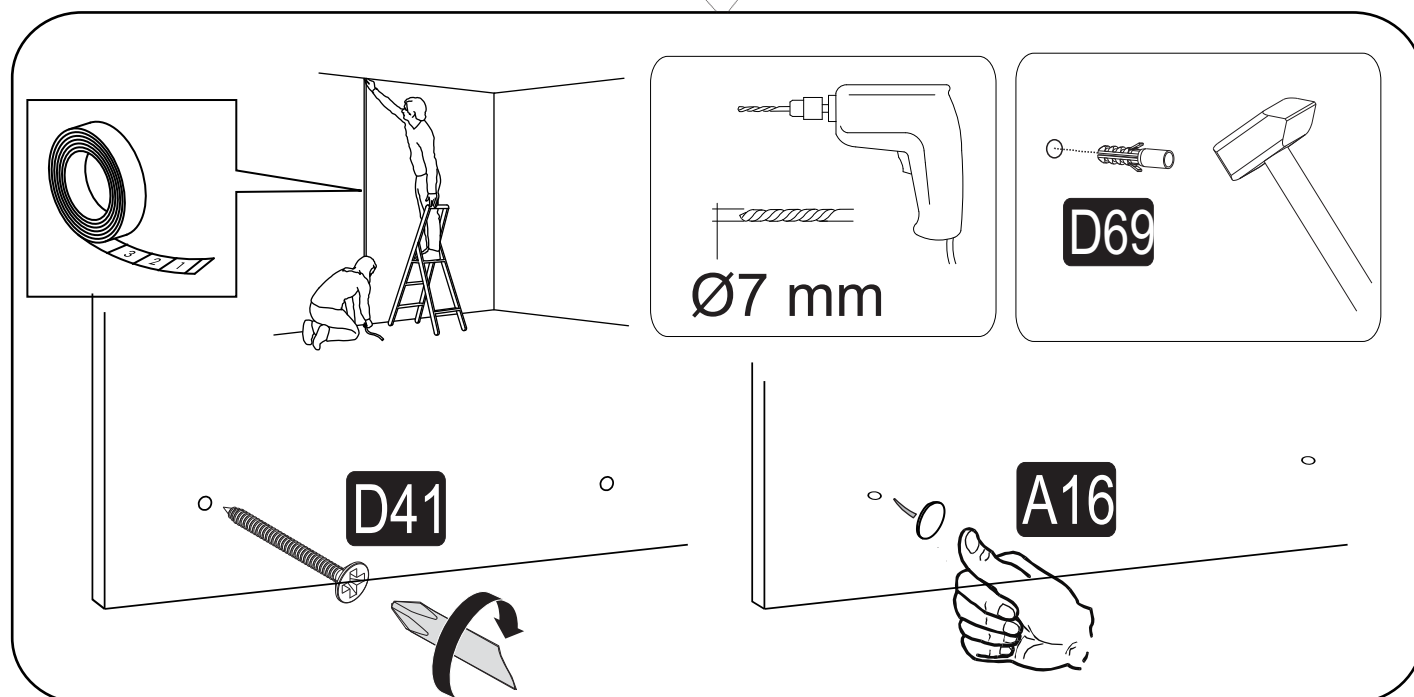
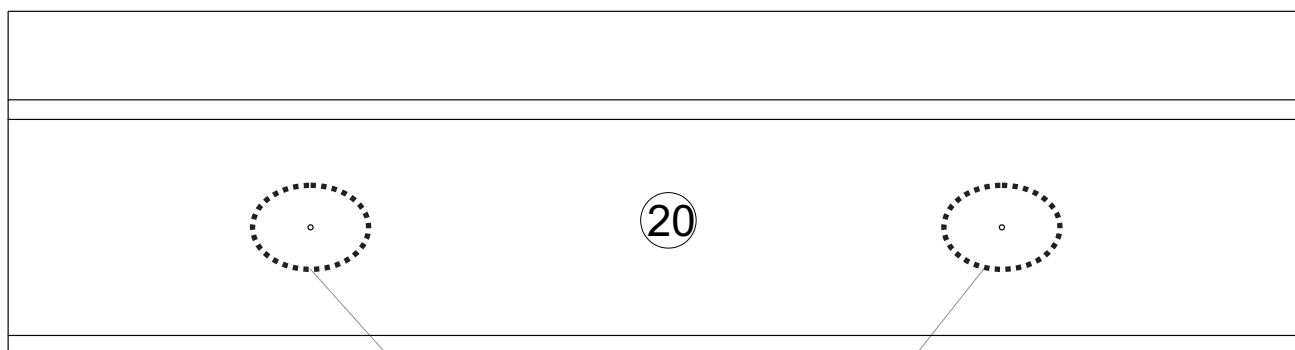
22



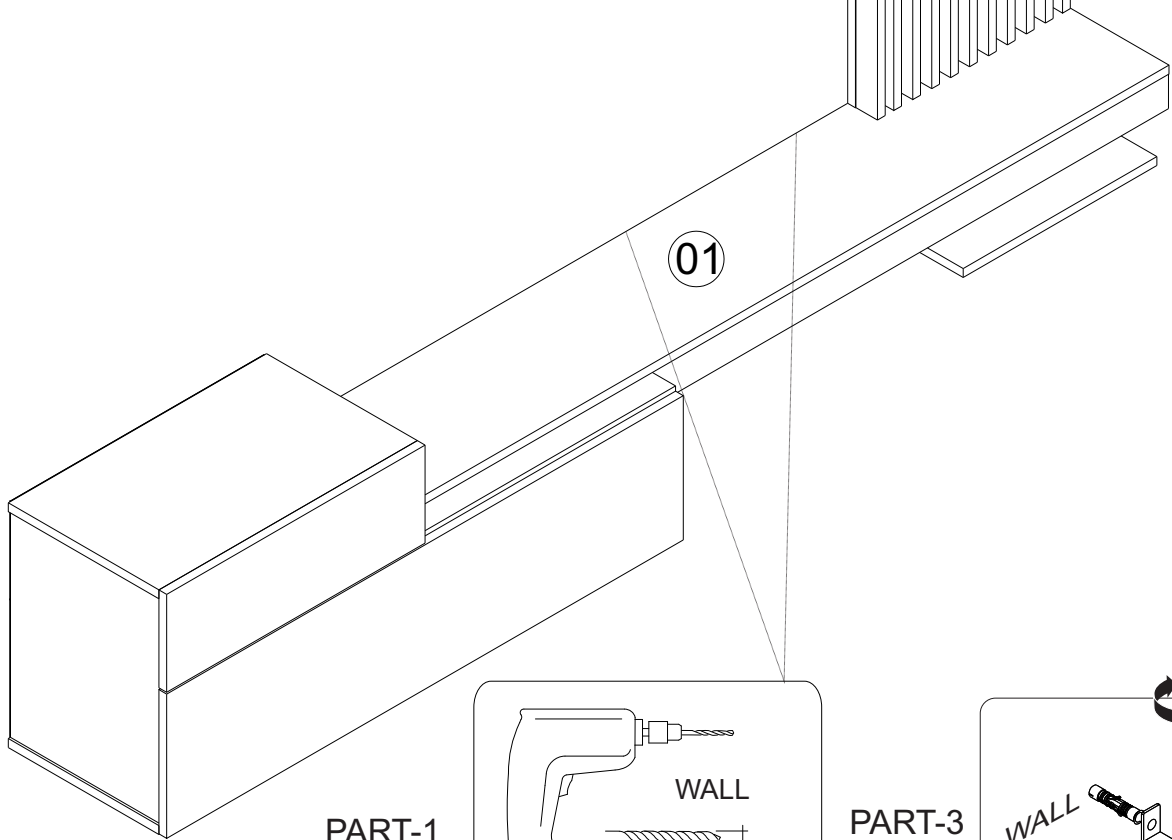
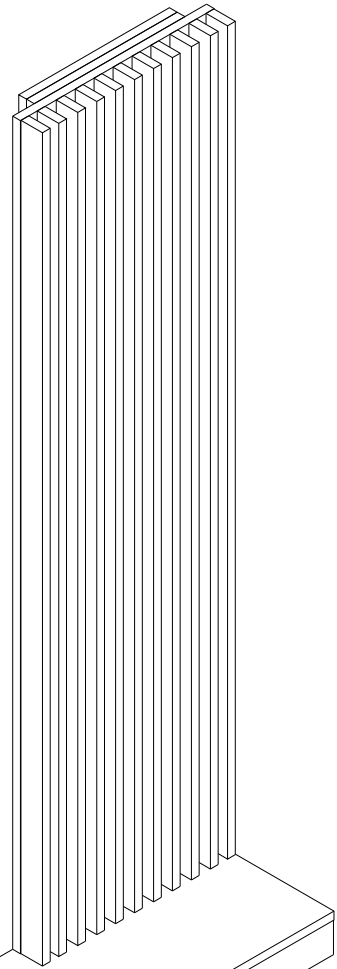
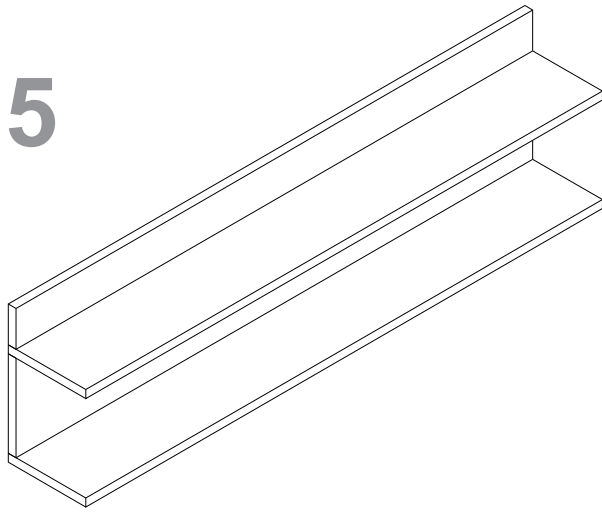
23



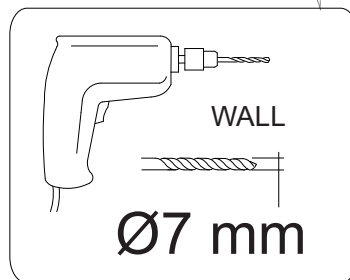
24



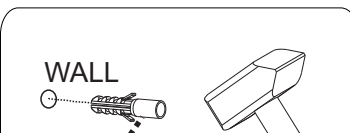
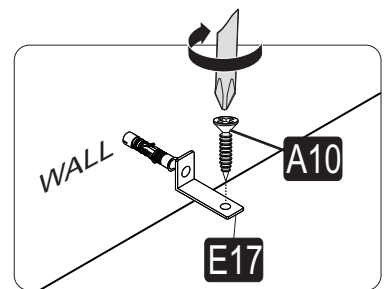
25



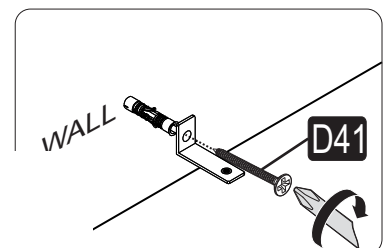
PART-1



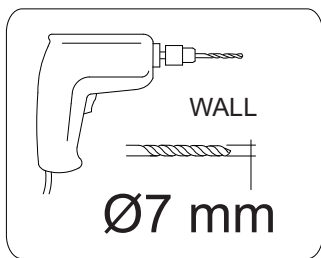
PART-3



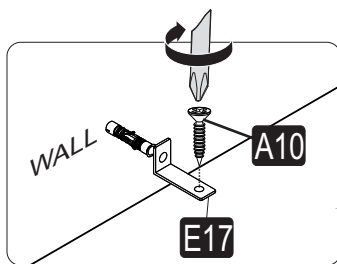
PART-4



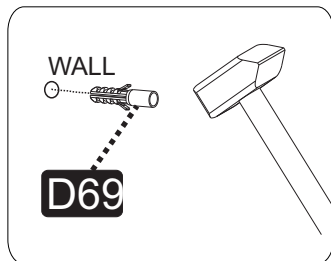
PART-1



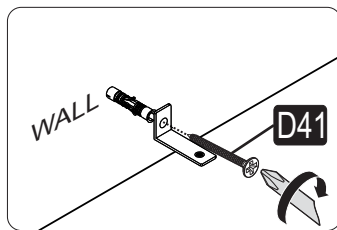
PART-3



PART-2



PART-4



26

