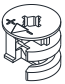
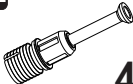
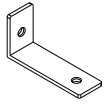





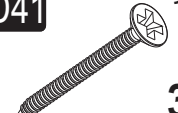
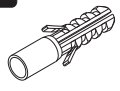
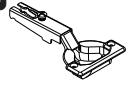
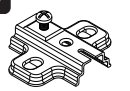
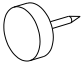



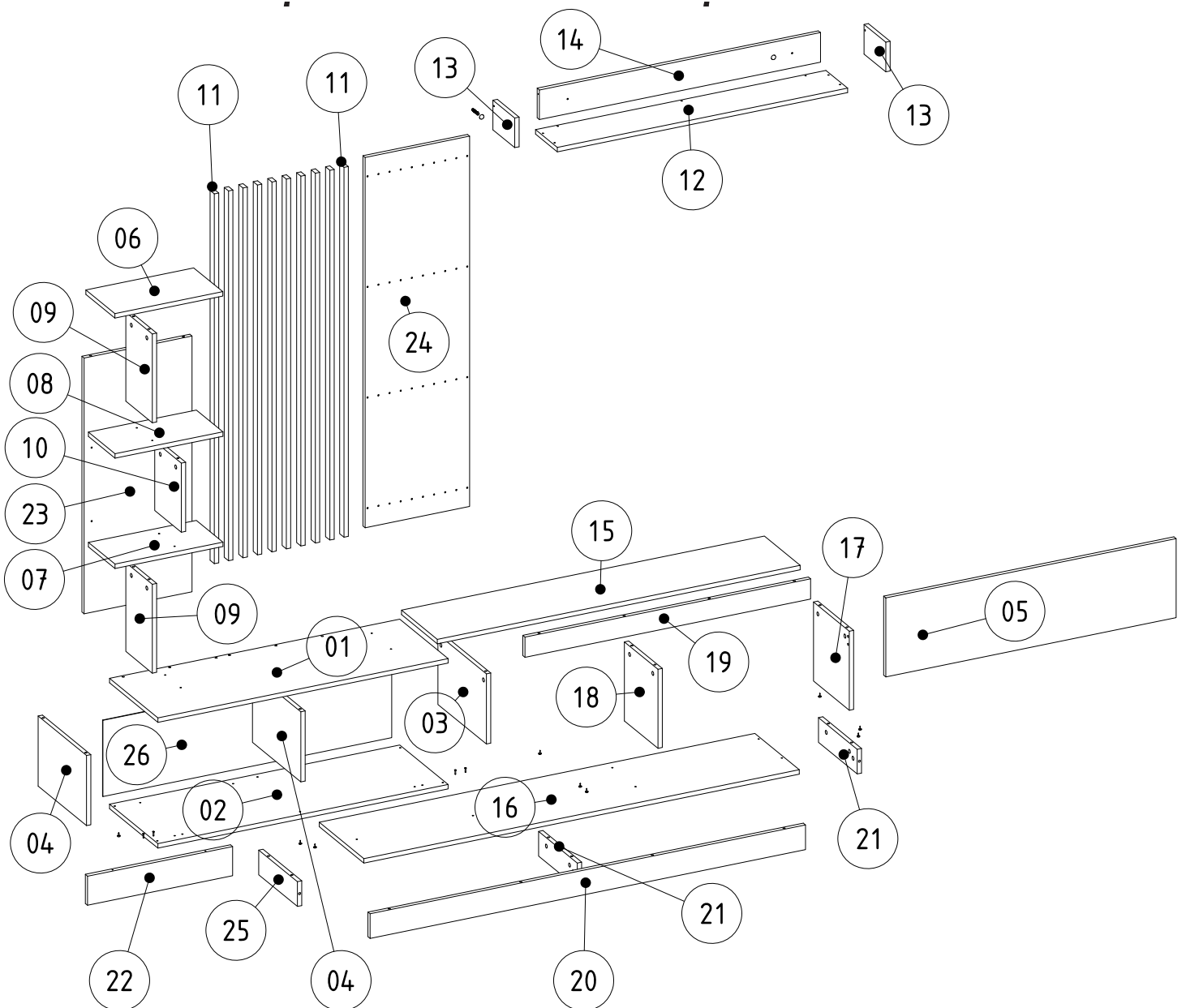


i GP042-0323,1

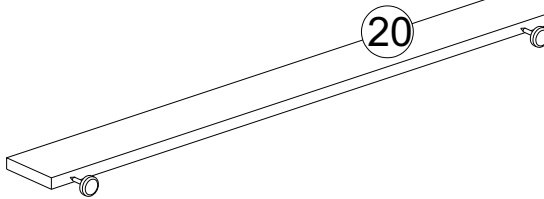
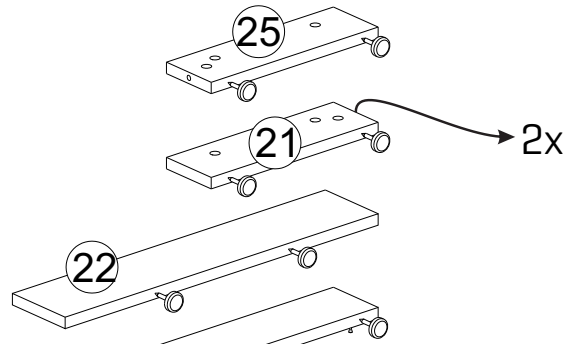
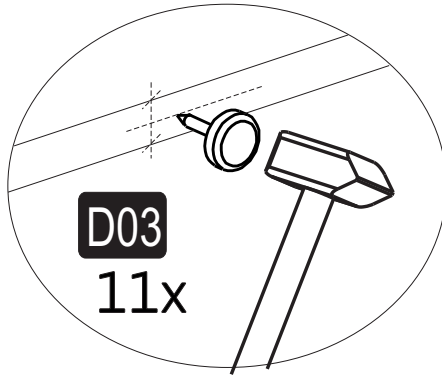


240 x 40 x 192cm

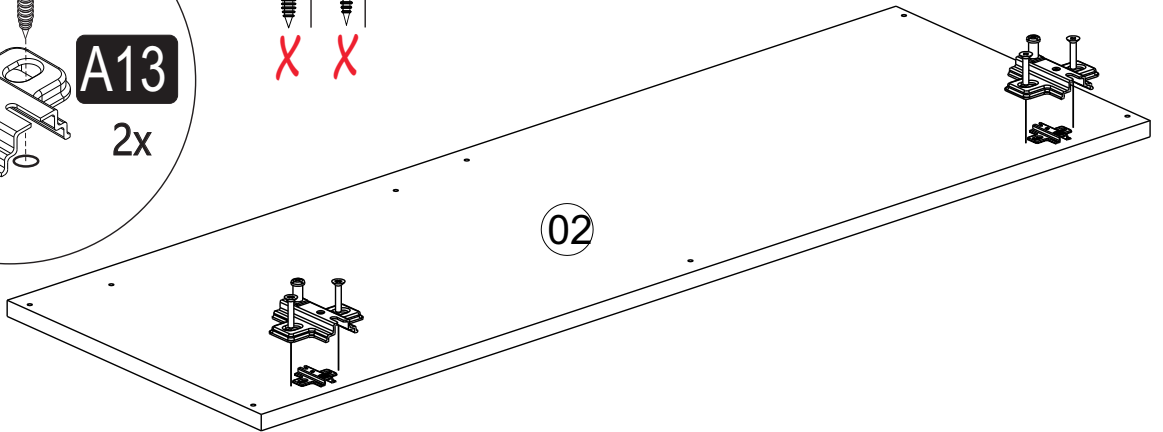
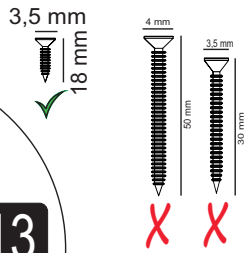
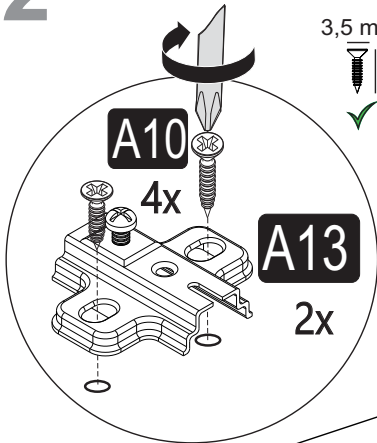
A01  43x	A02  43x	E17  1x	A29  3,5x30 5x	A28  29x
A66  3,5x40 40x	A10  3,5x18 10x	A09  4x50 31x	D41  5x70 3x	D69  Ø8 3x
A12  DM 2x	A13  MA 2x	D03  Ø14 SYH 11x	A04  A 12x D 31x	A16  A 27x D 50x
H08  SYH 1x				



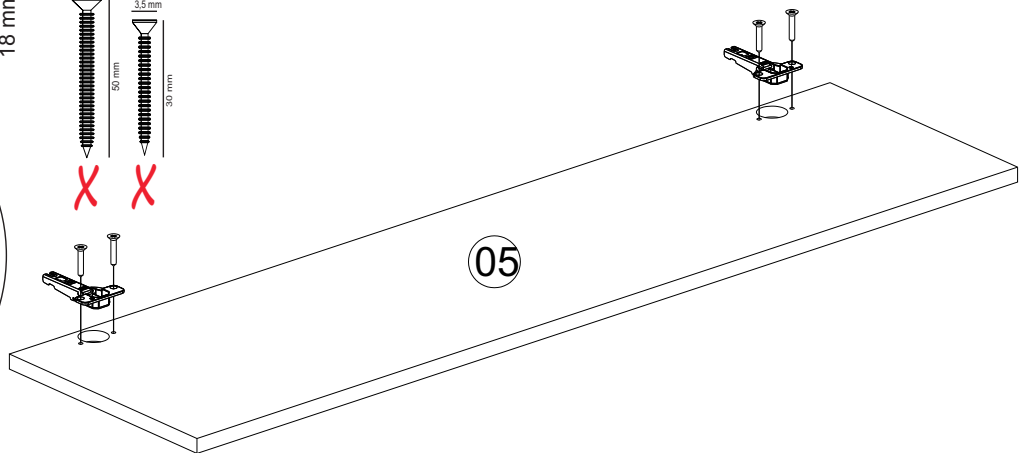
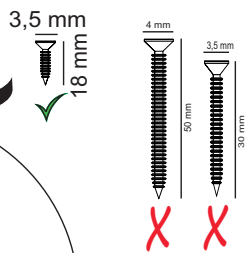
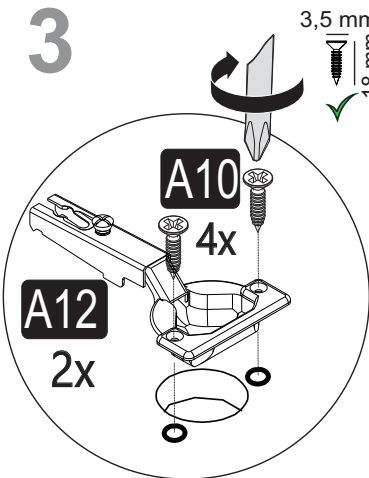
1



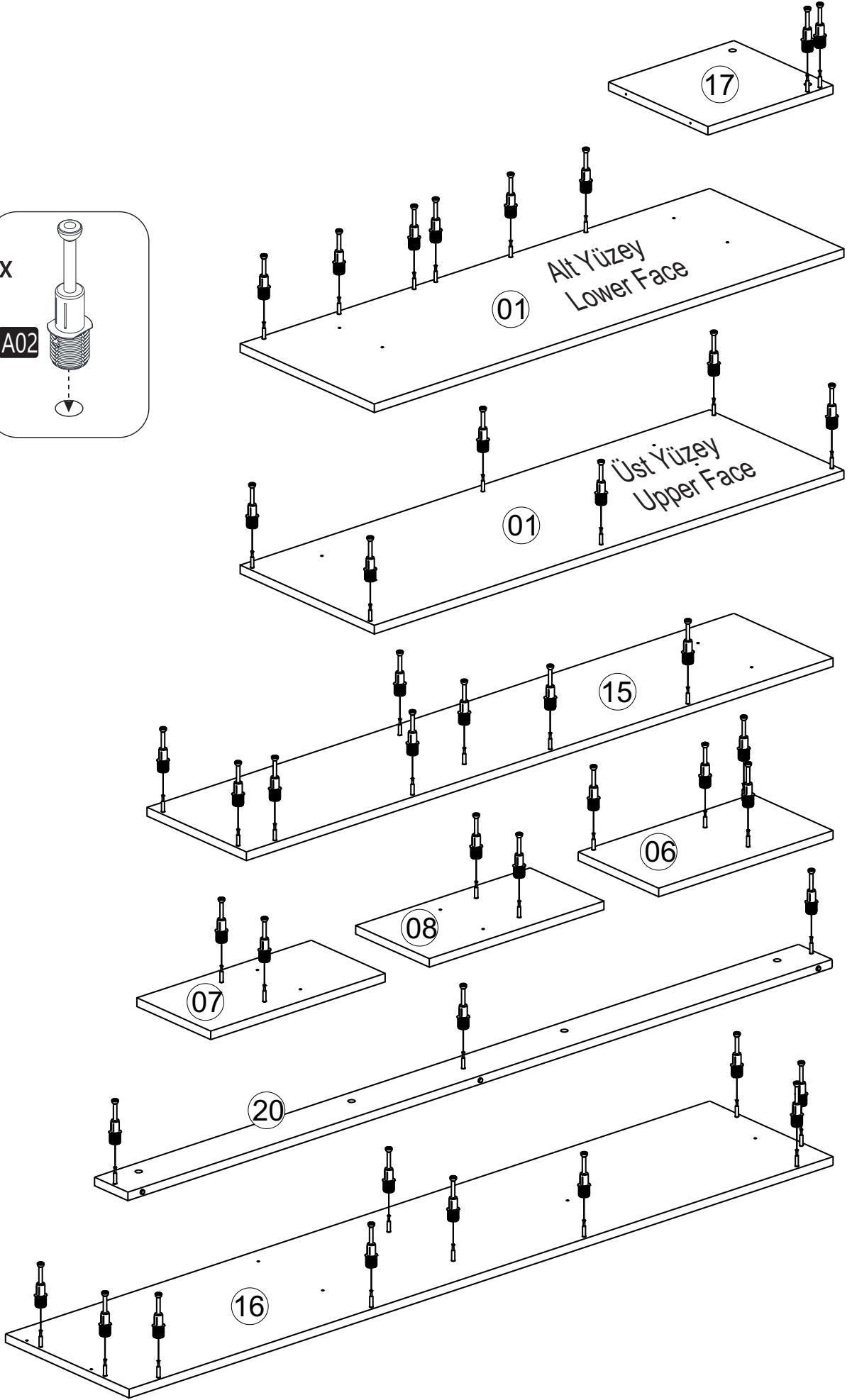
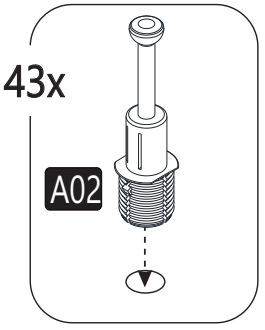
2



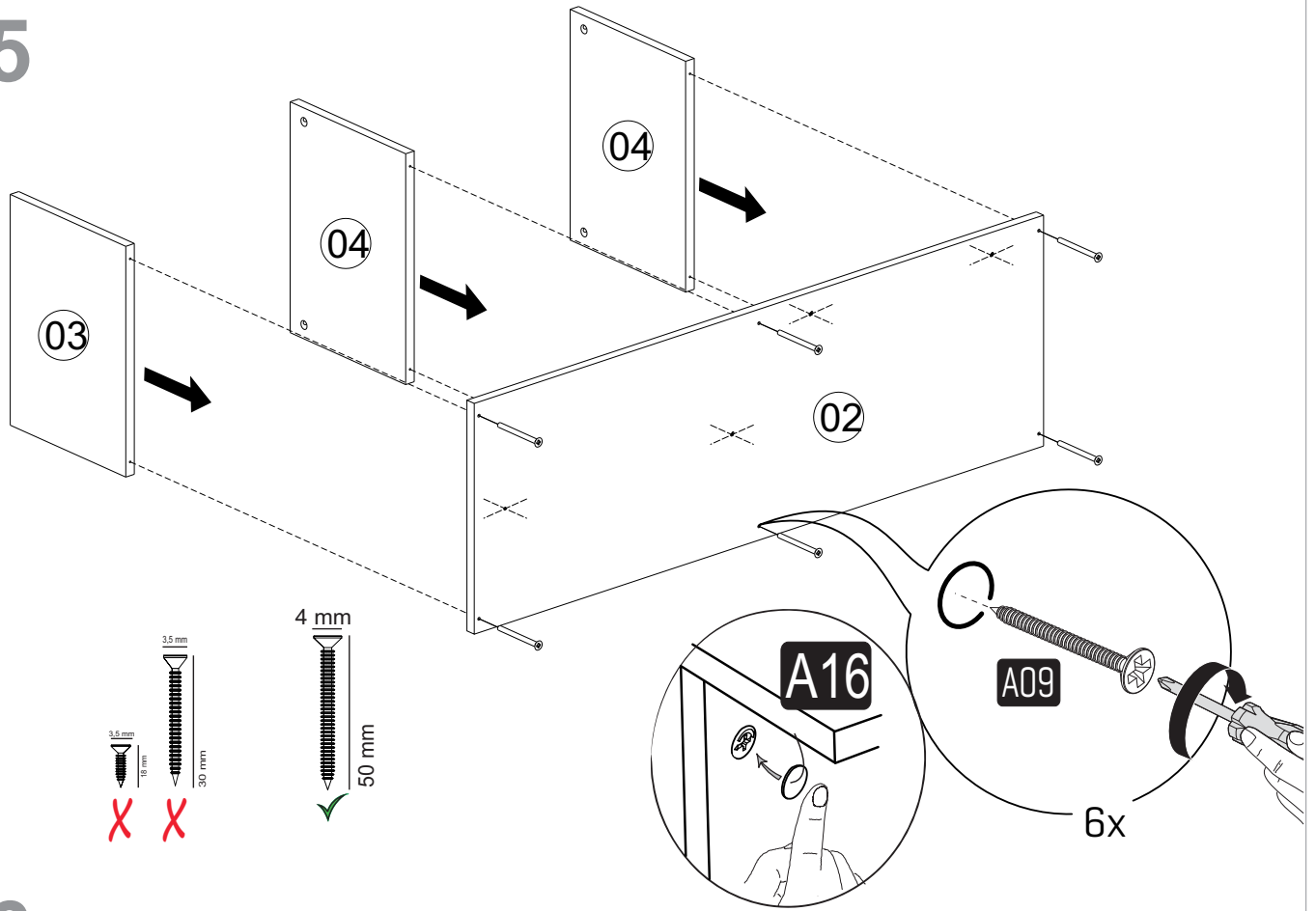
3



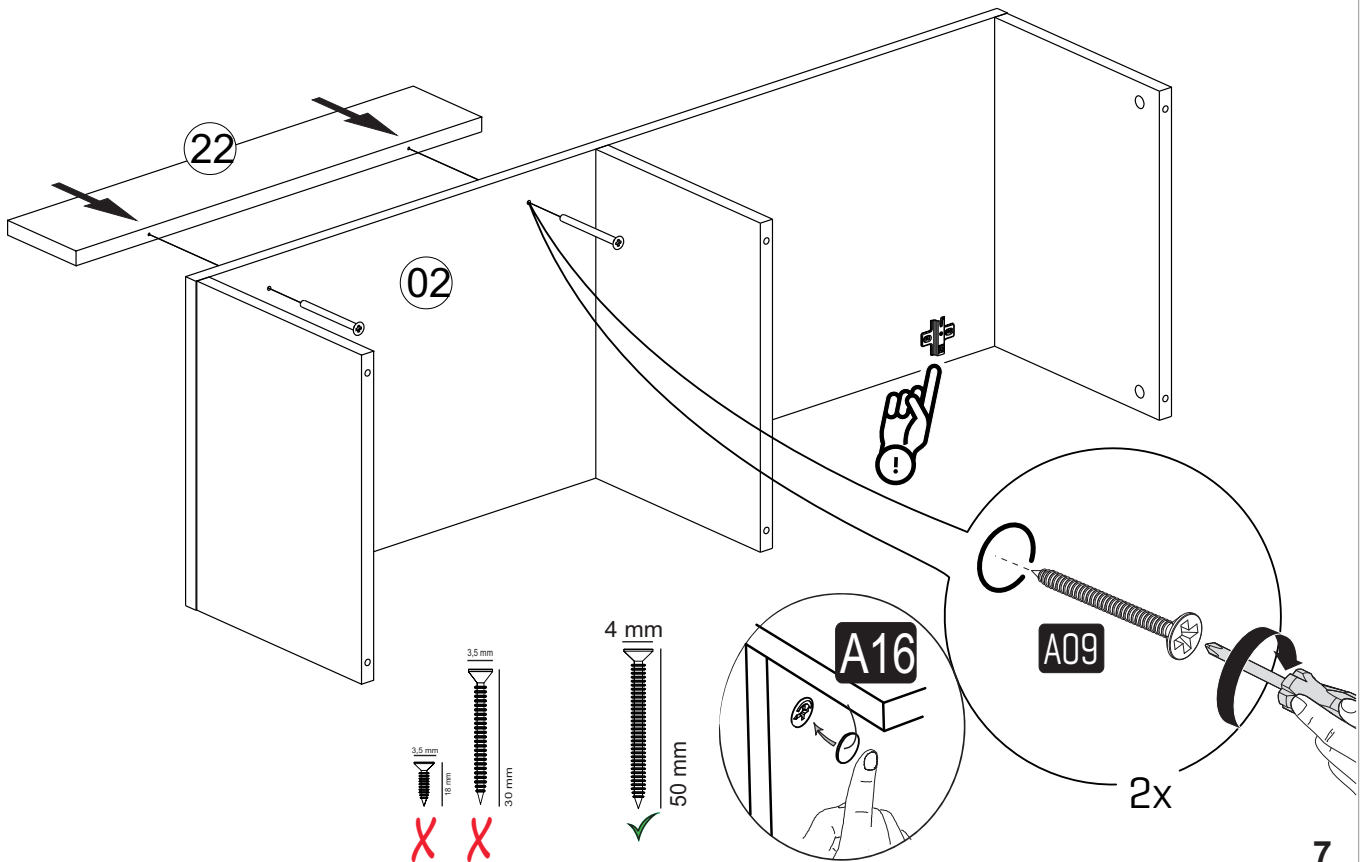
4



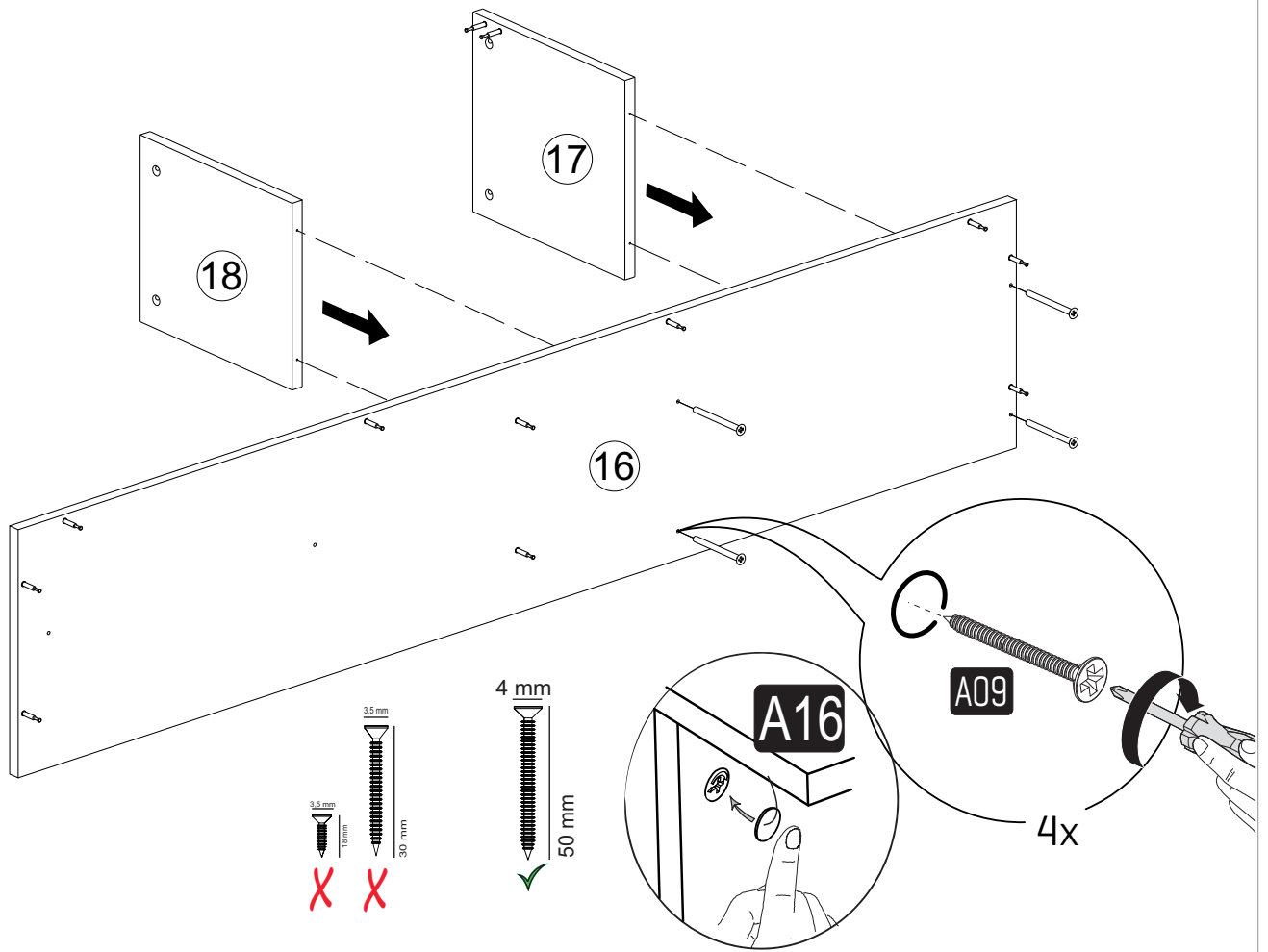
5



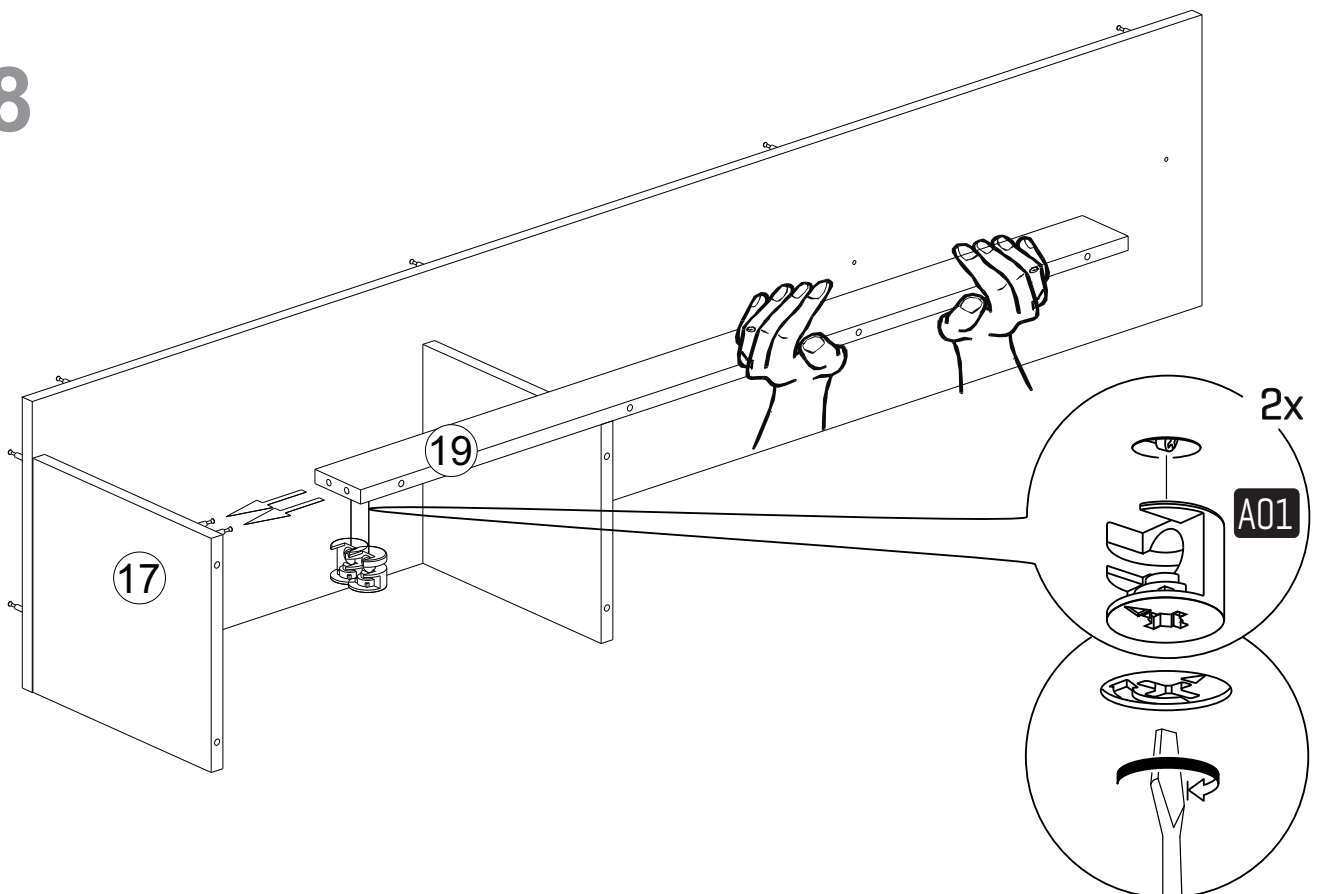
6



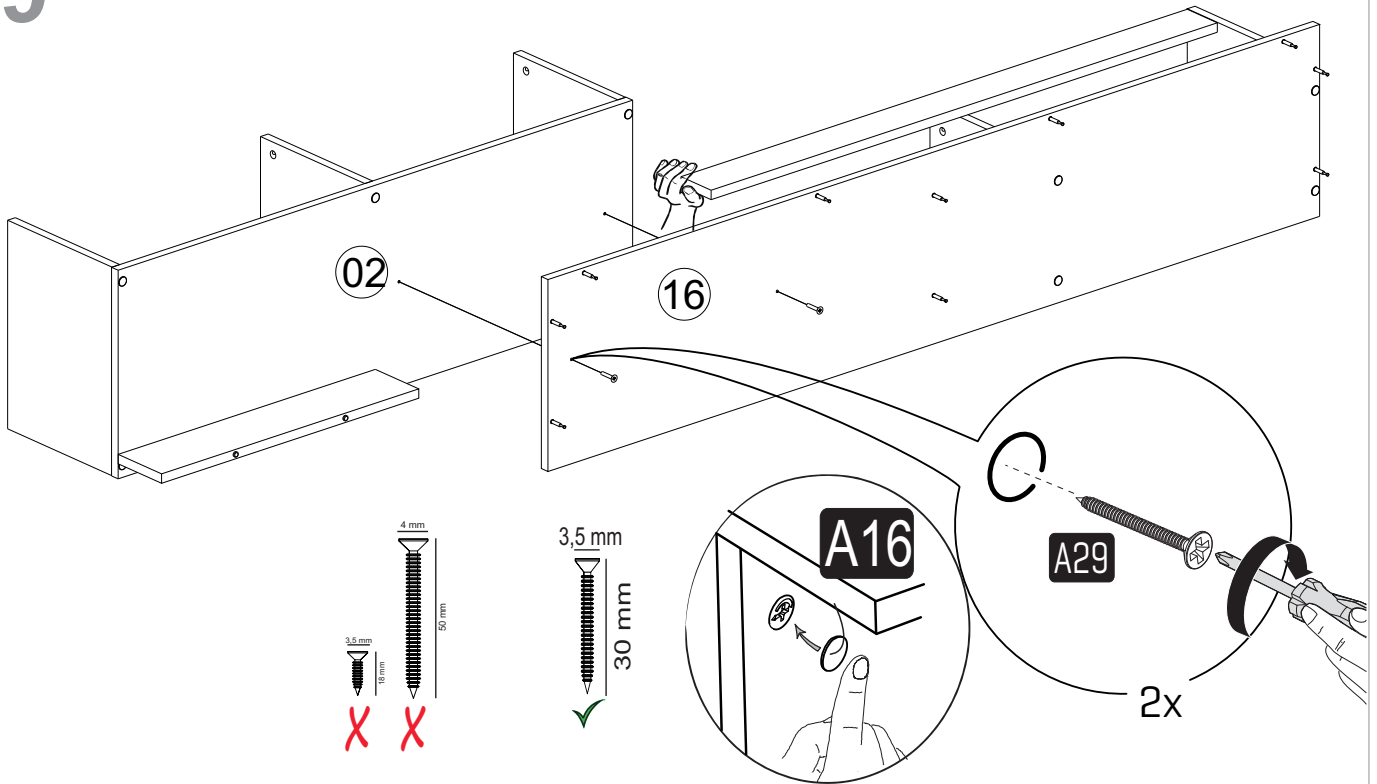
7



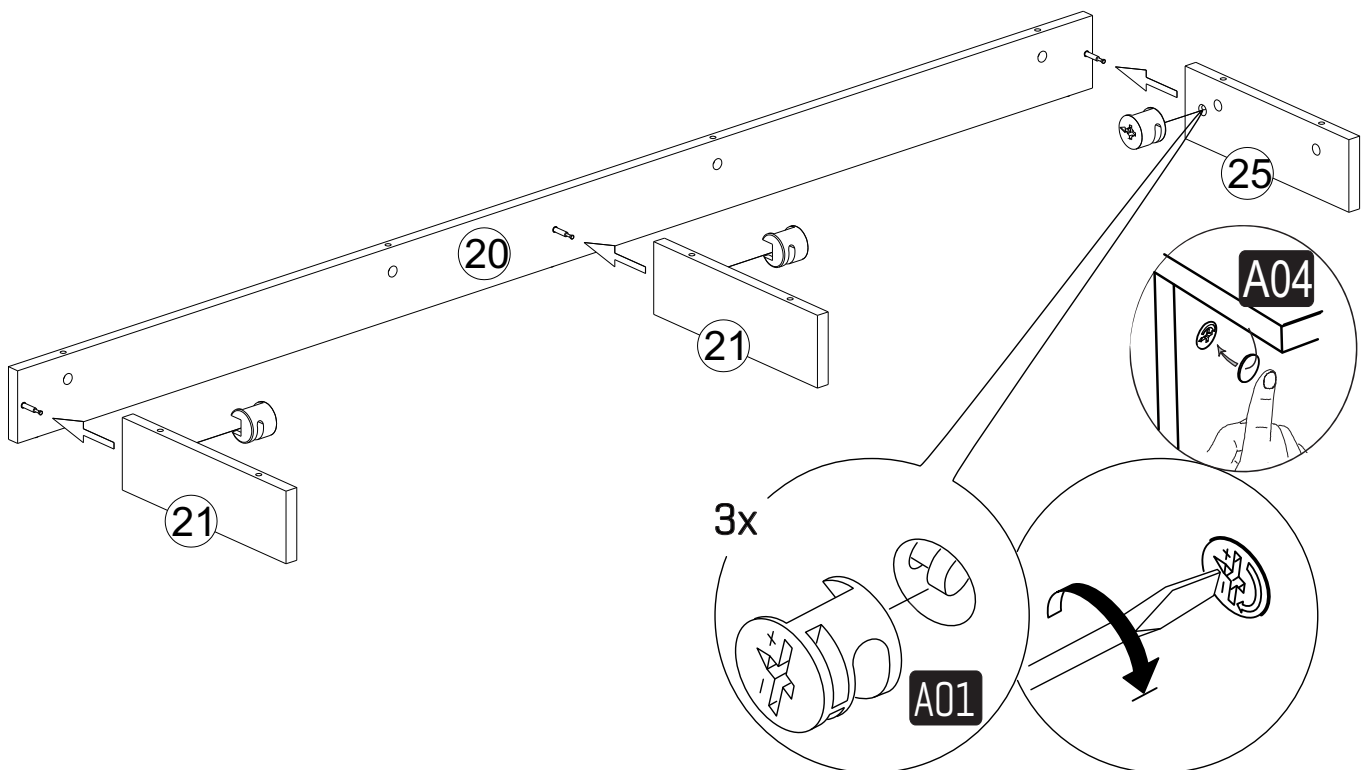
8



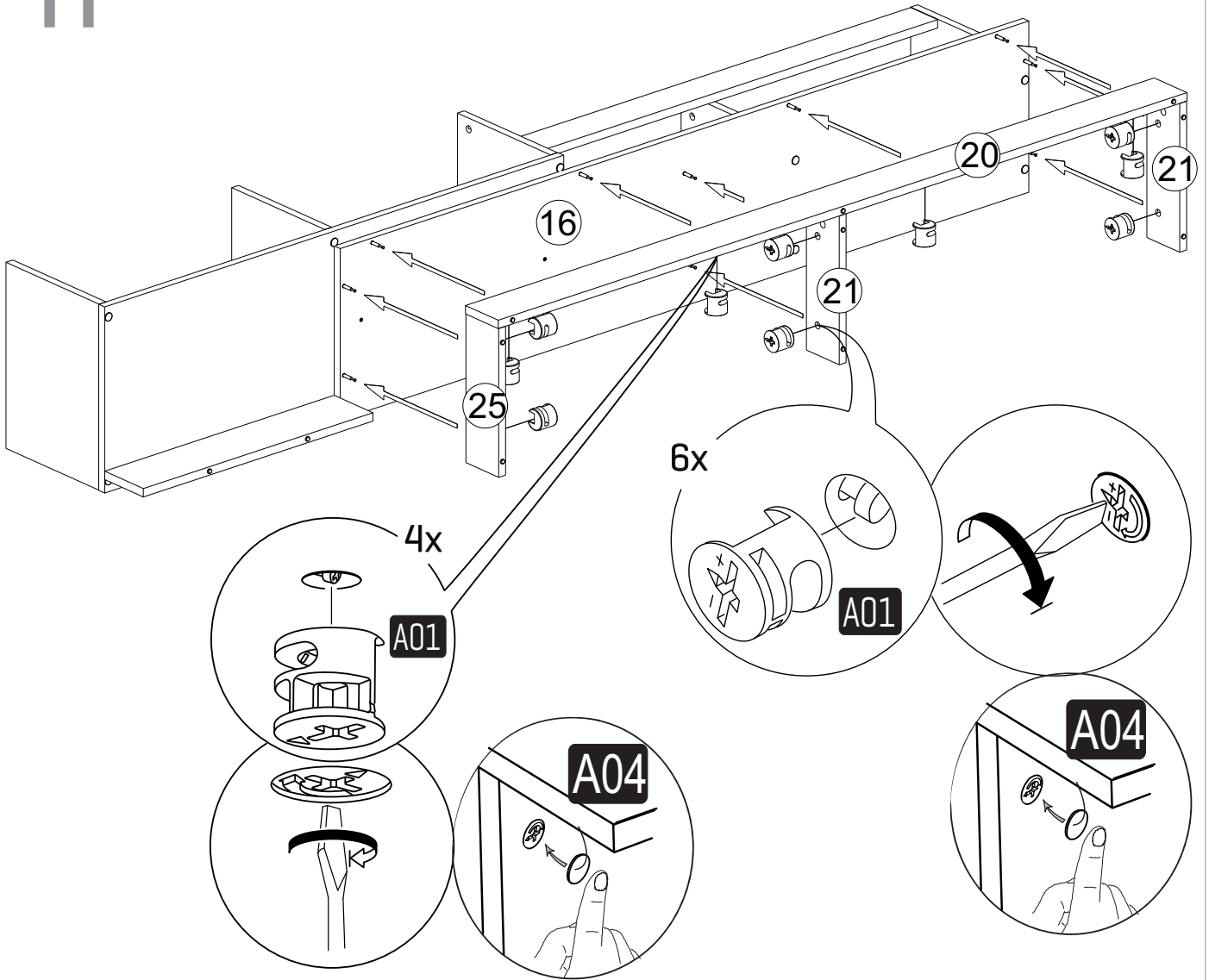
9



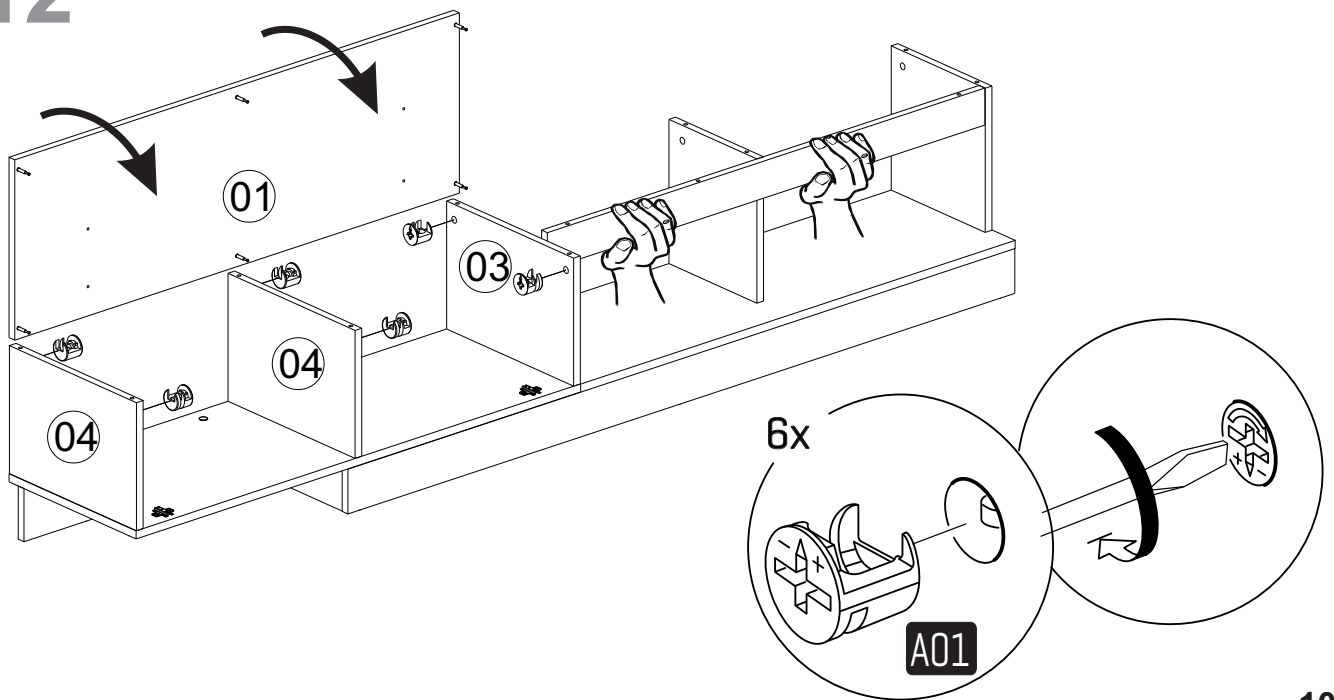
10



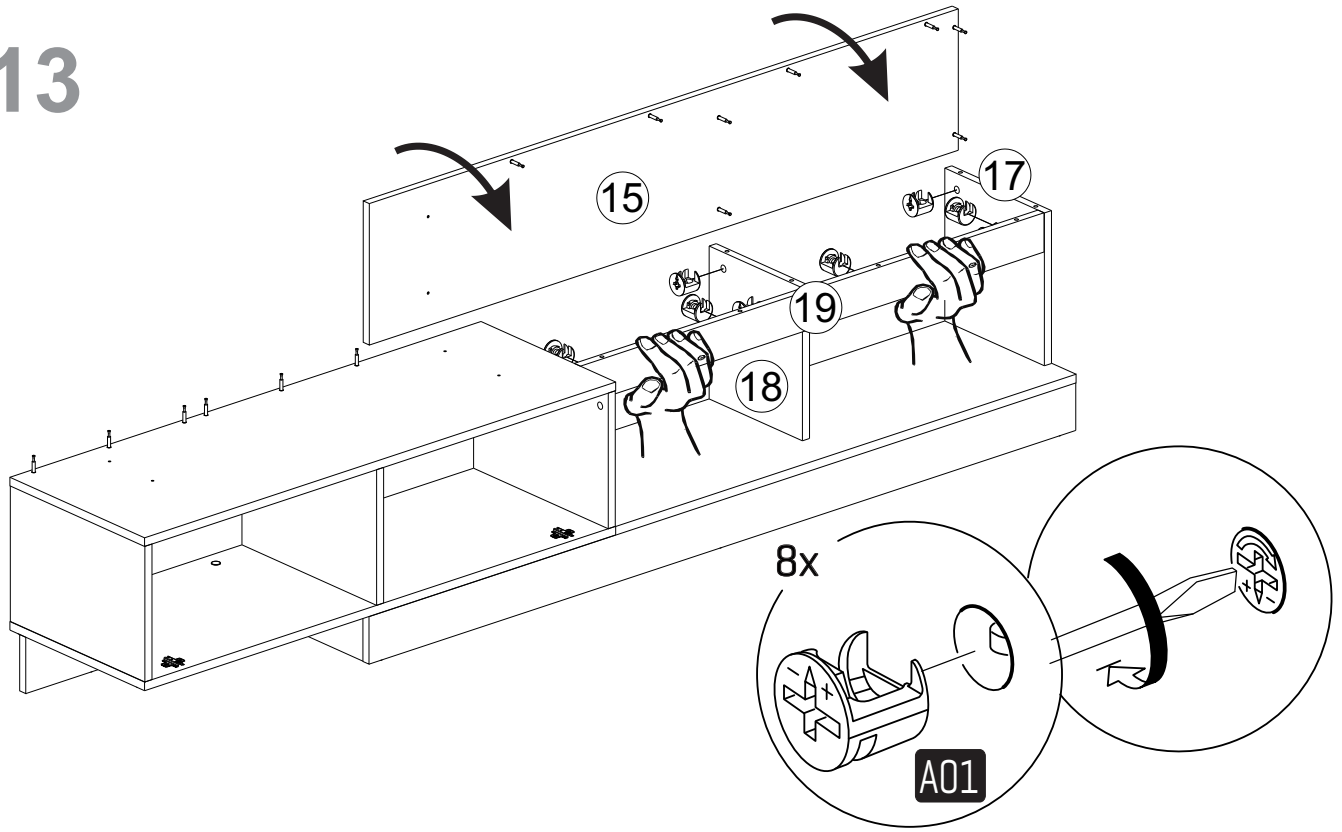
11



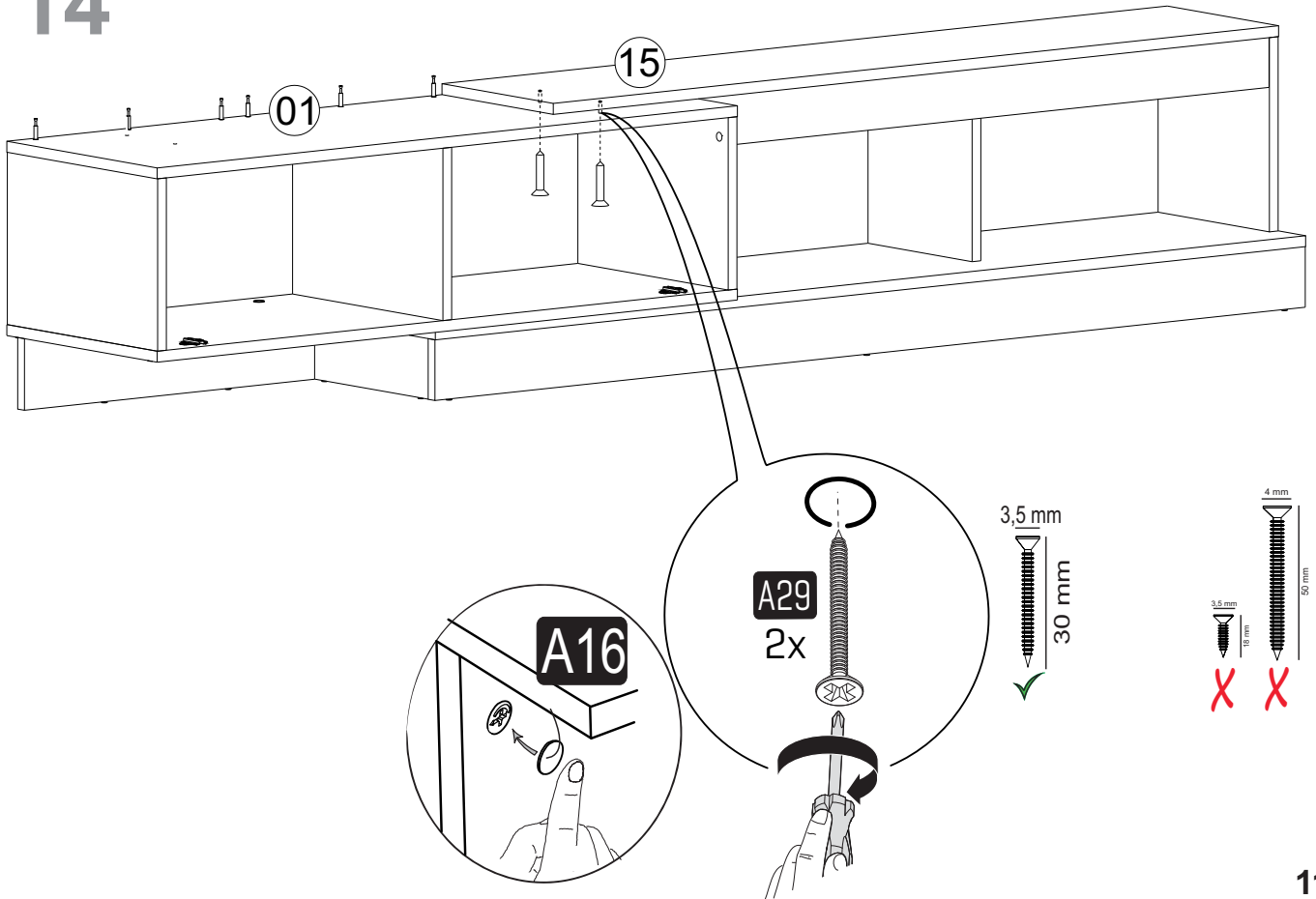
12



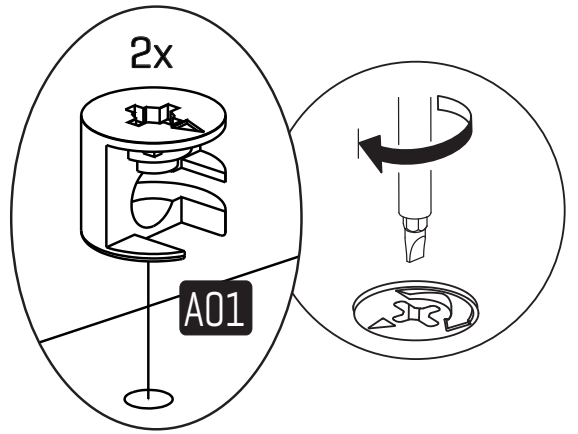
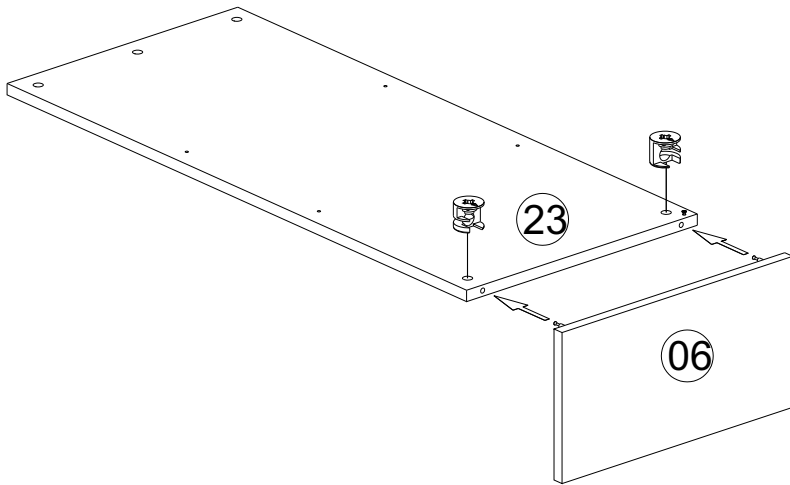
13



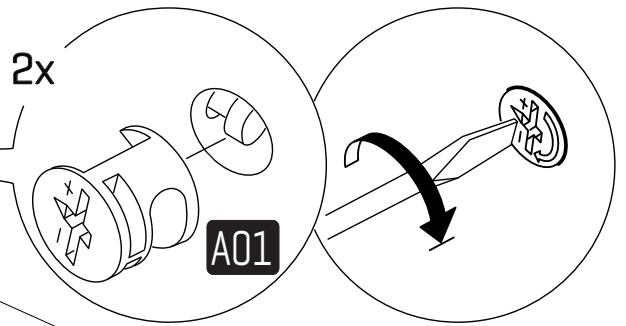
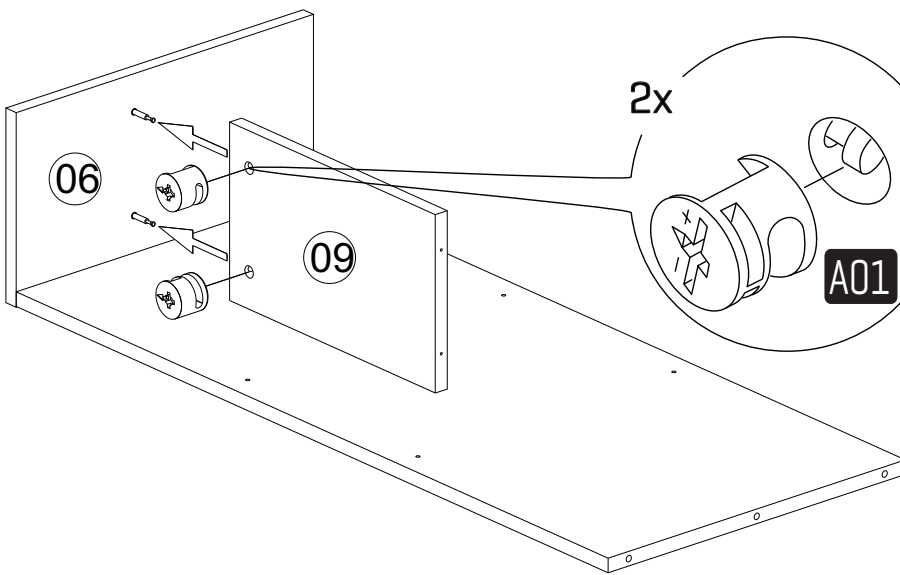
14



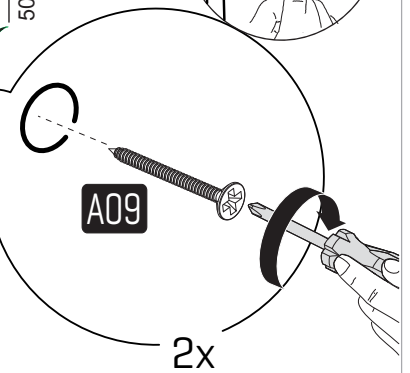
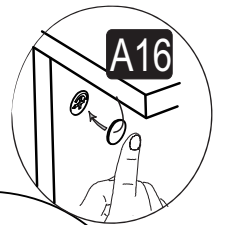
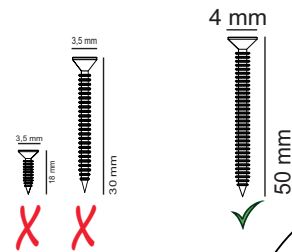
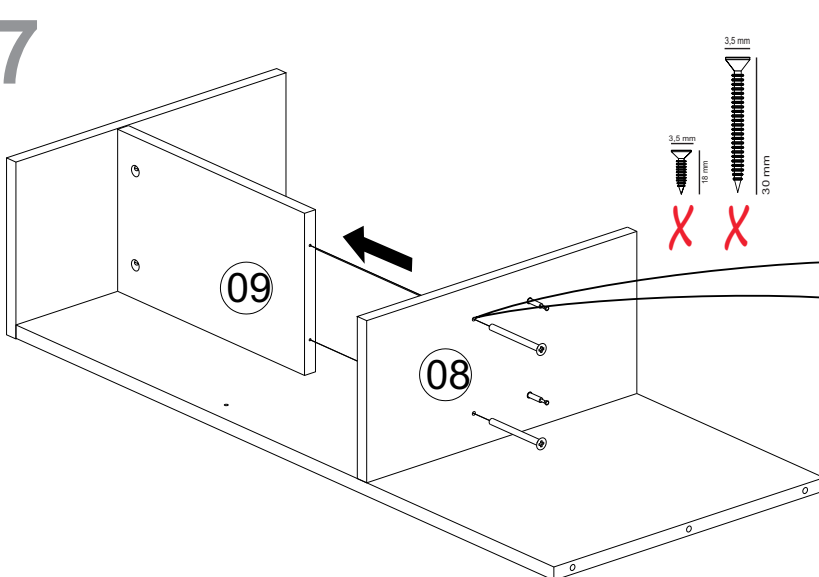
15



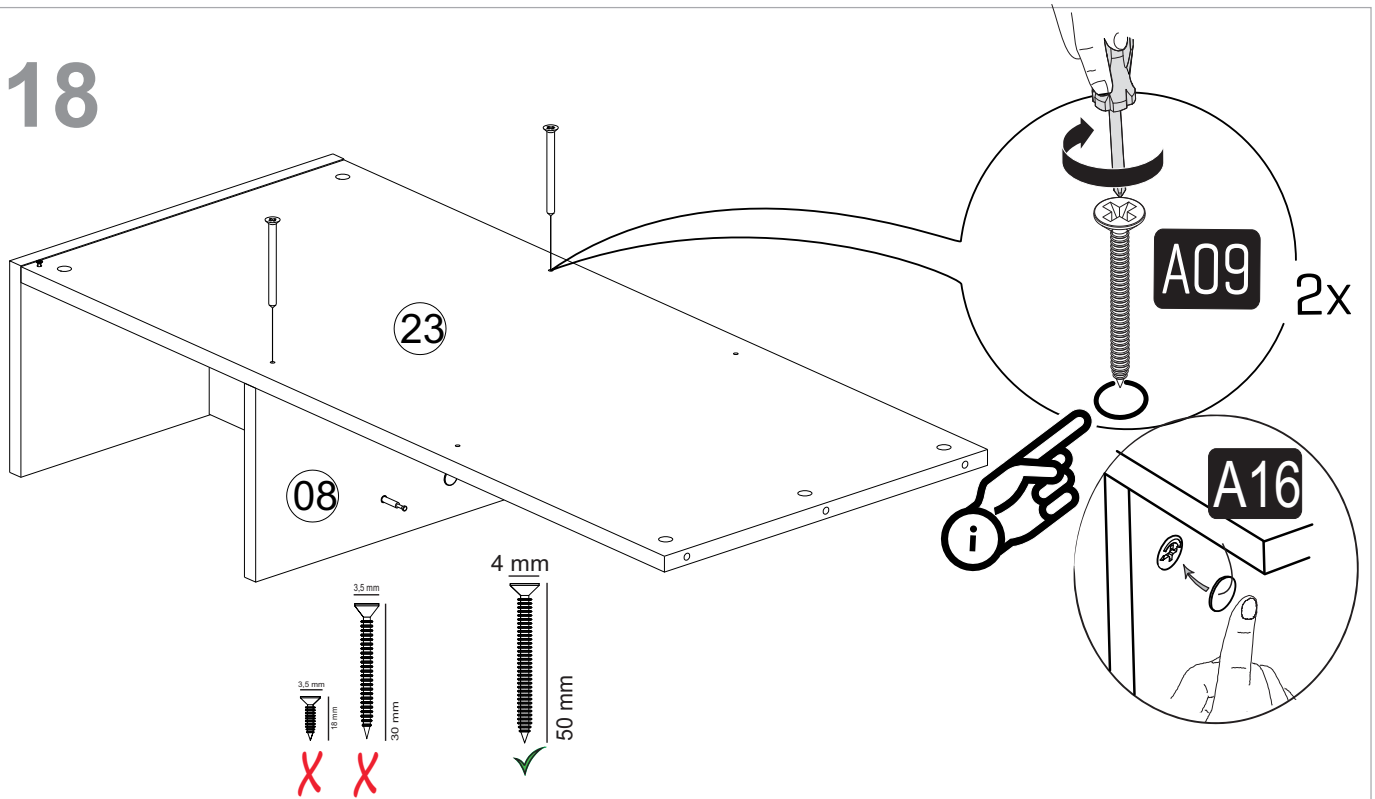
16



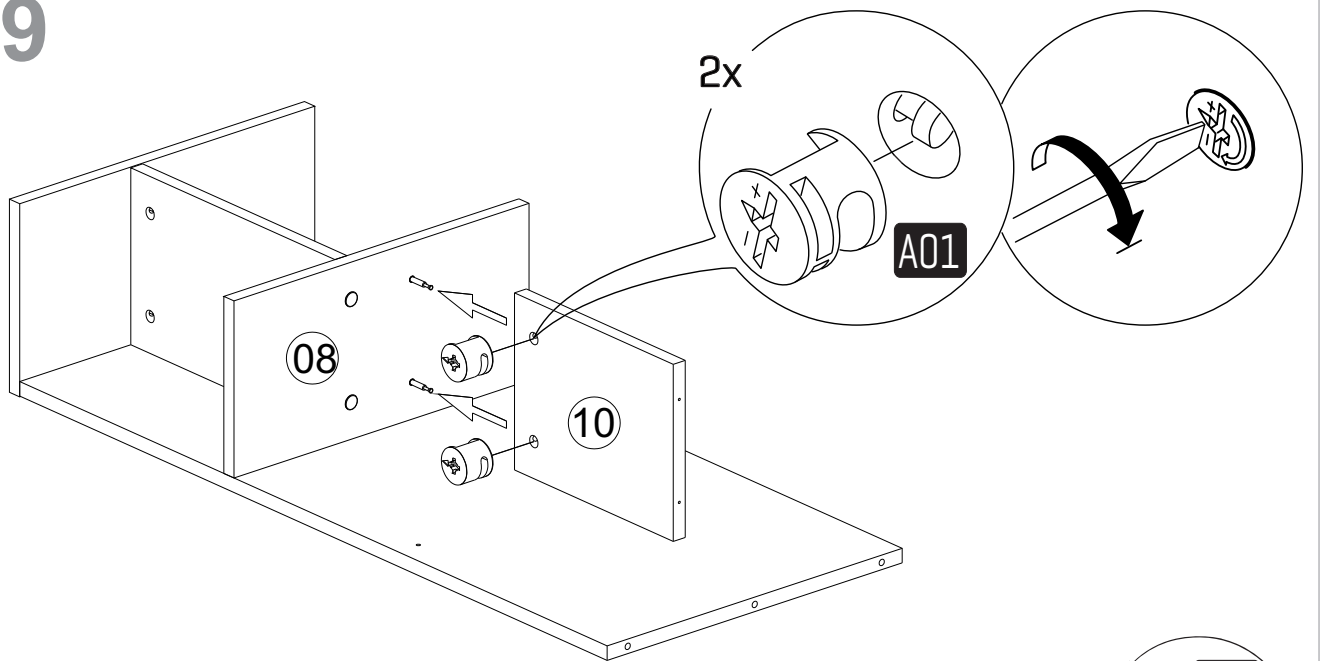
17



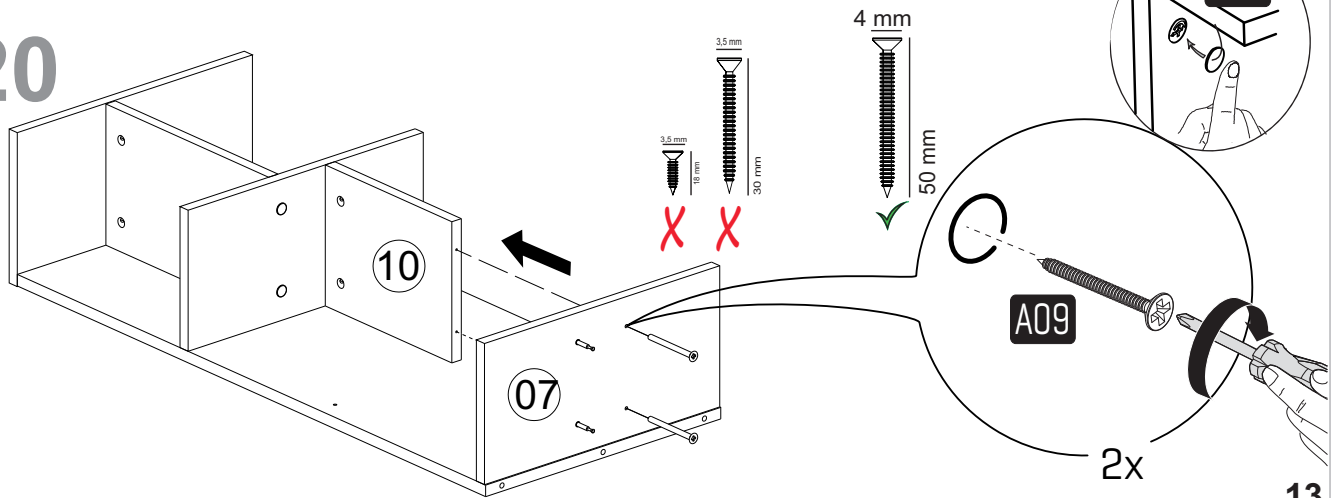
18



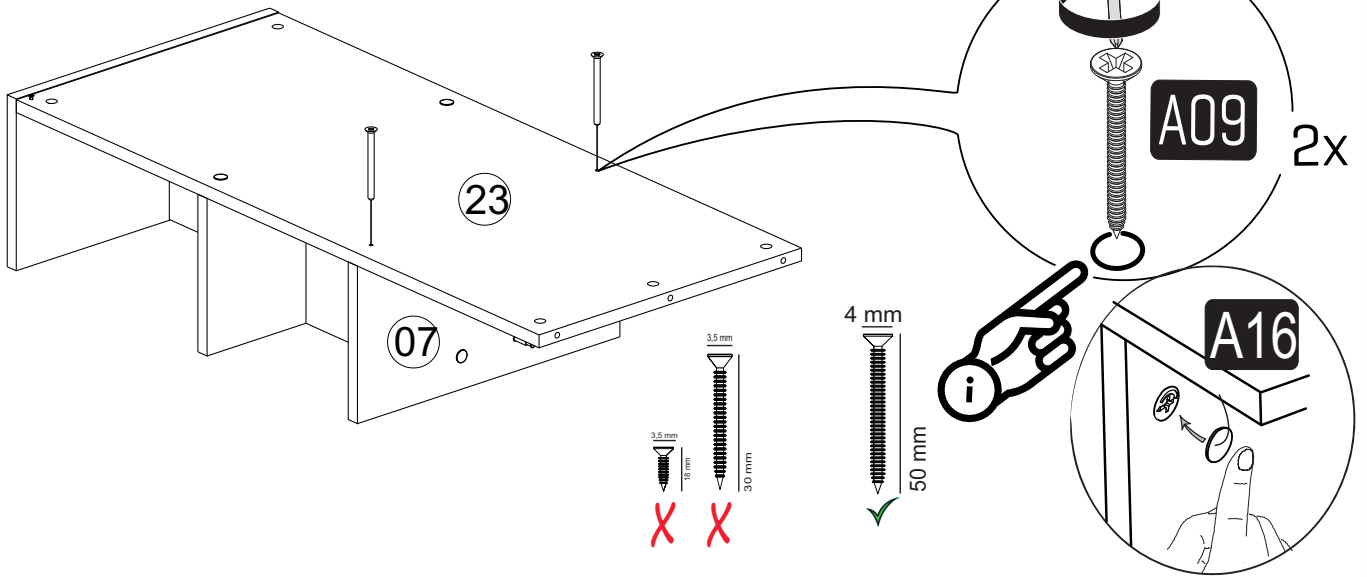
19



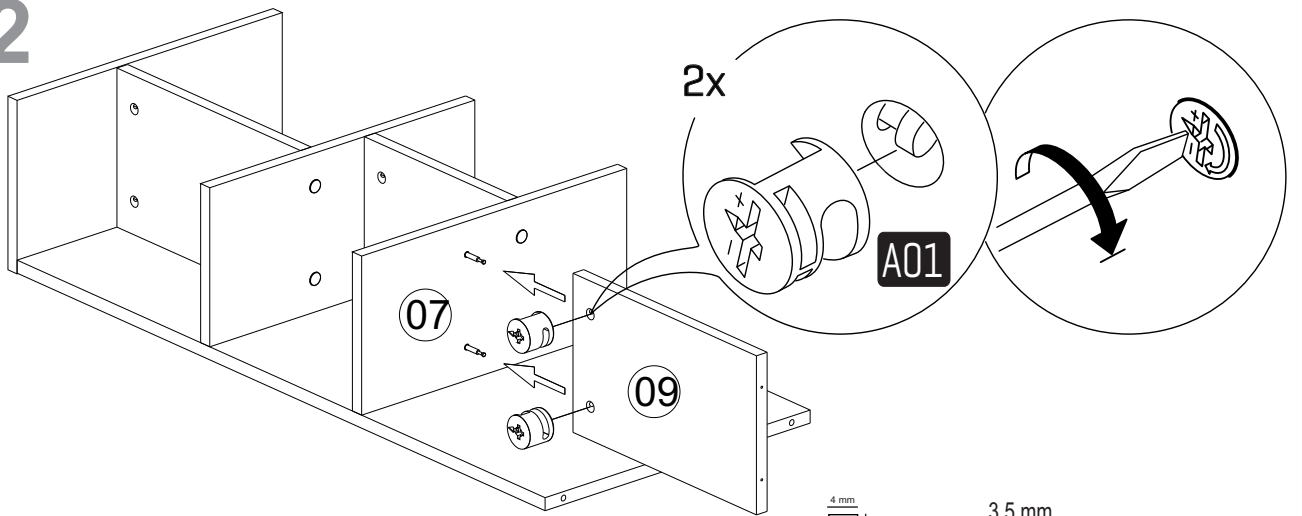
20



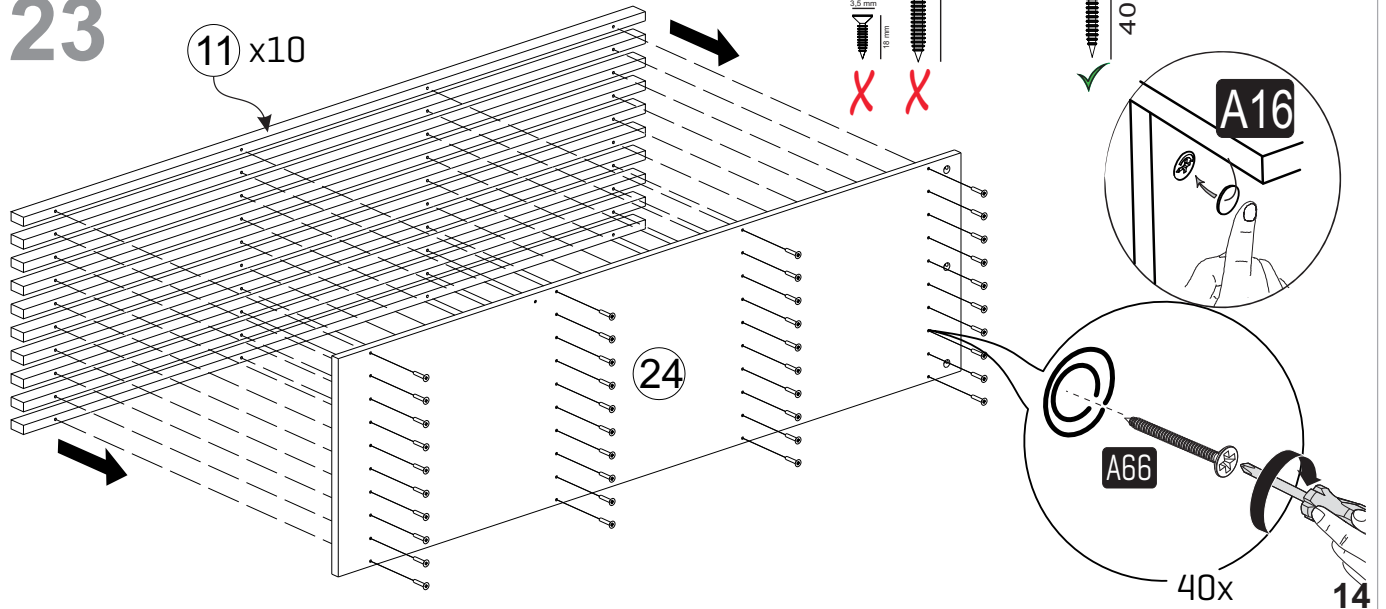
21



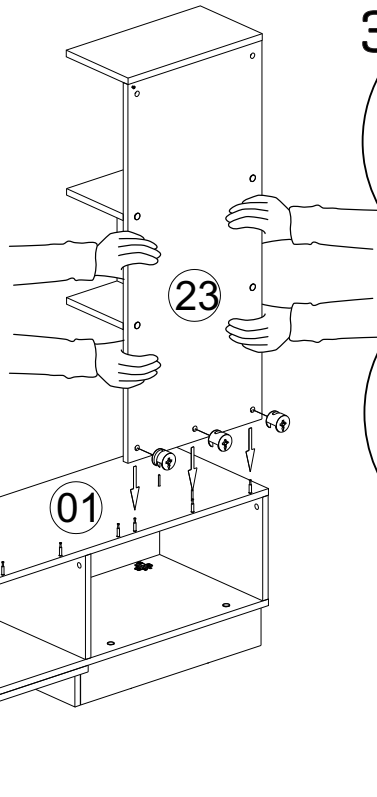
22



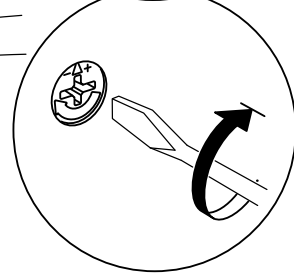
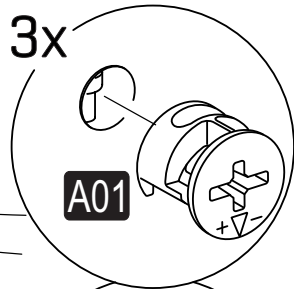
23



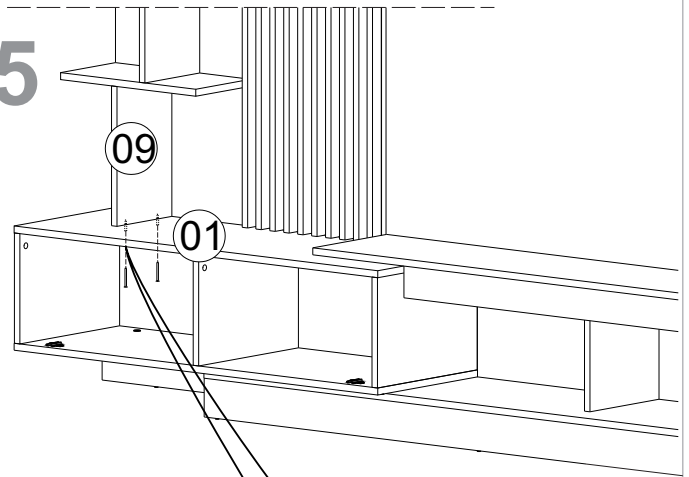
24



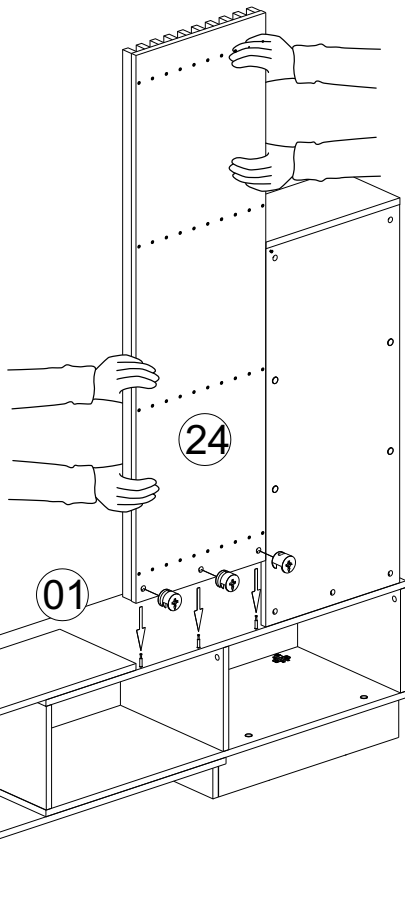
3x



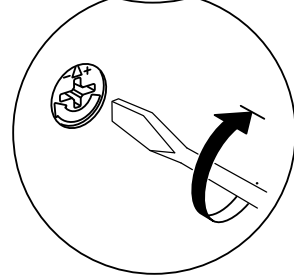
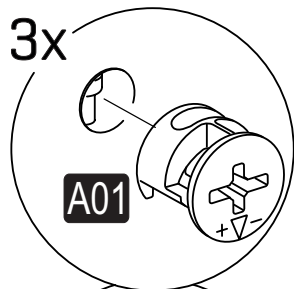
25



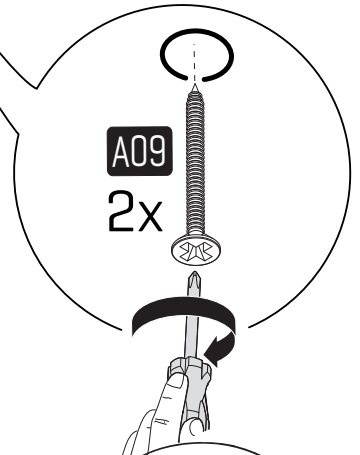
26



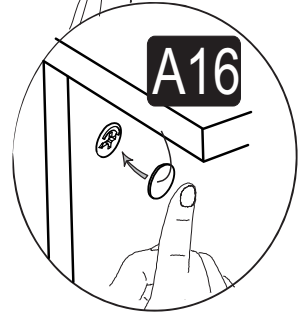
3x



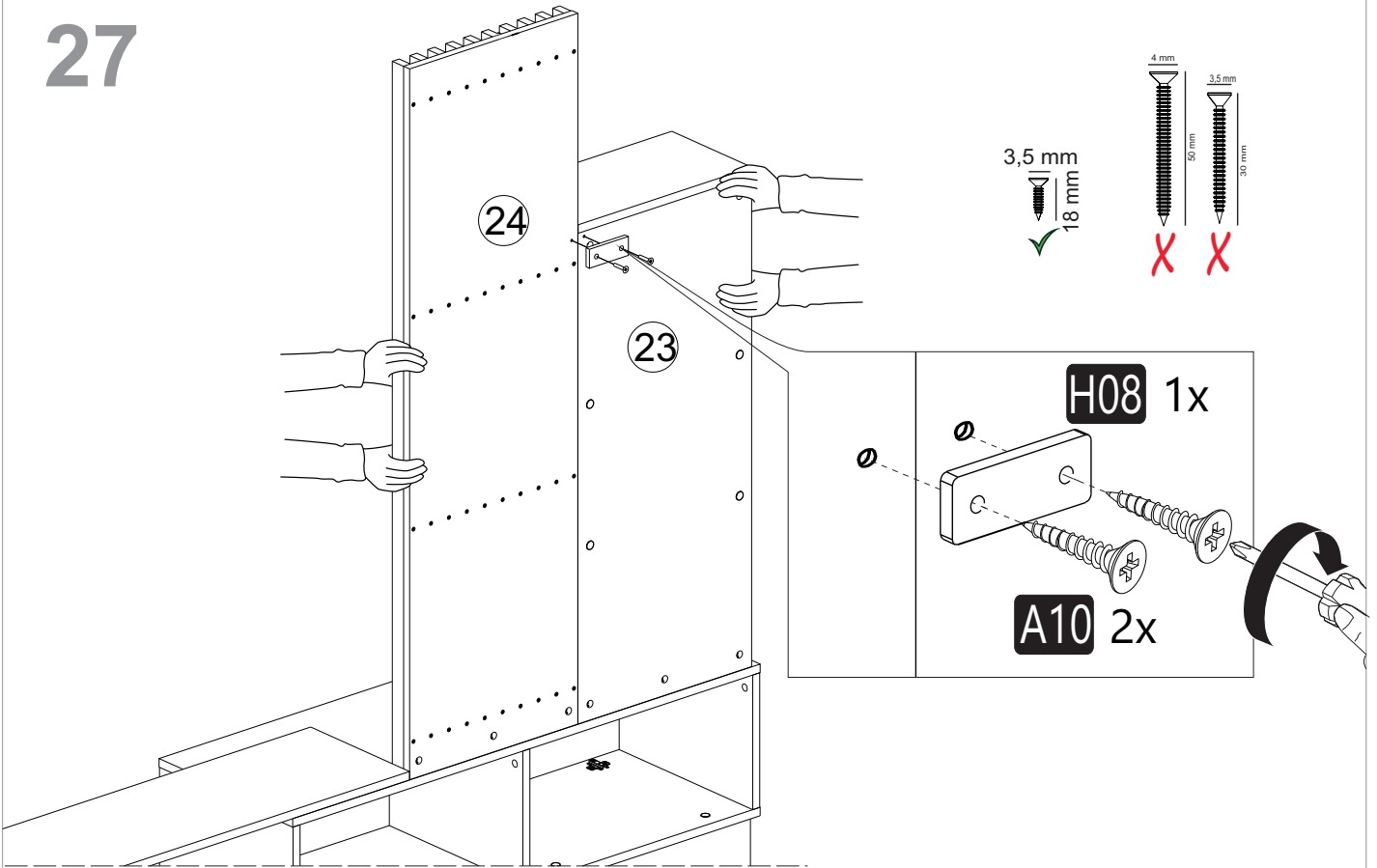
A09
2x



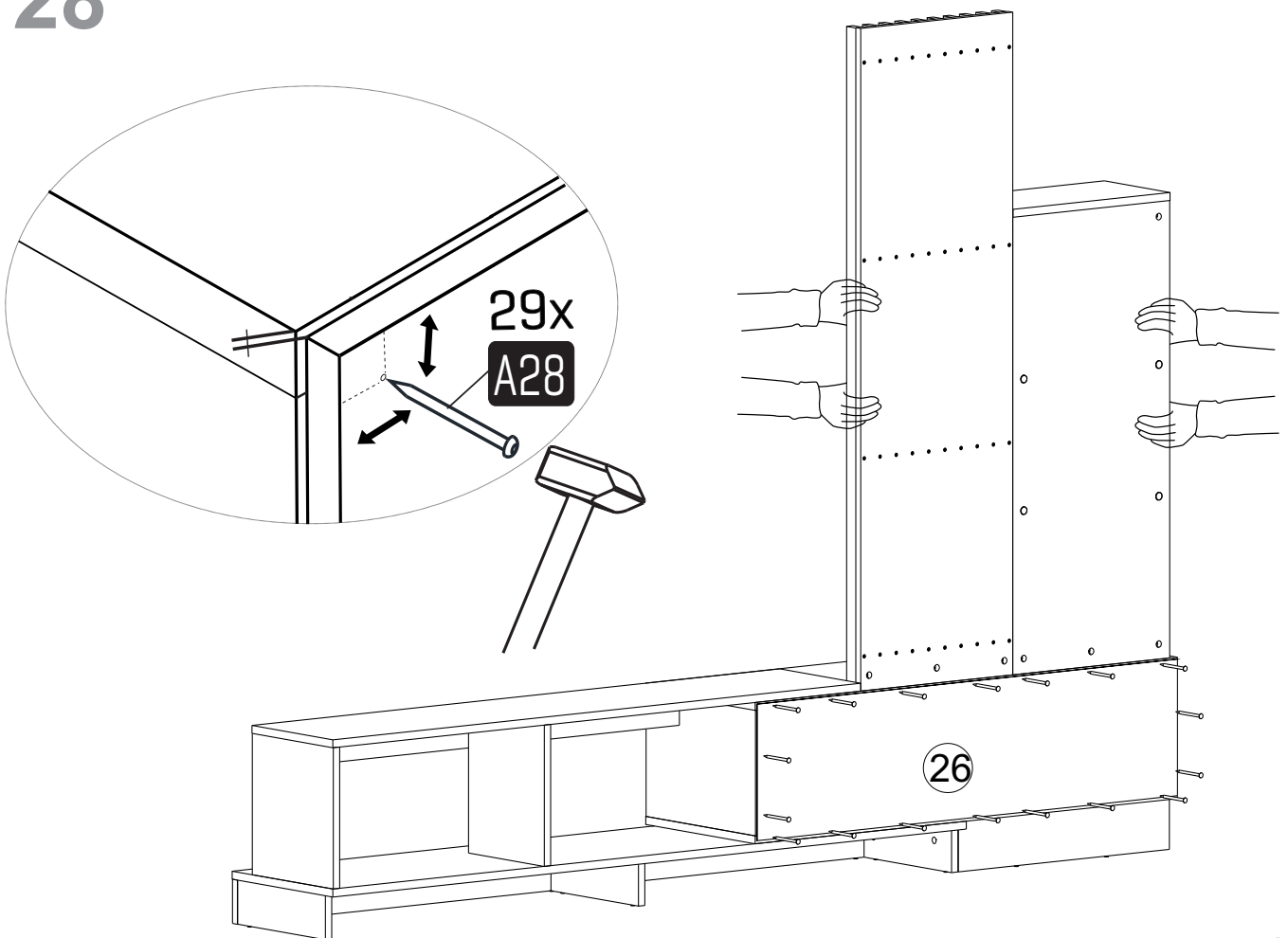
A16



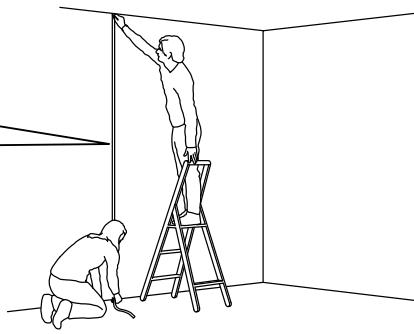
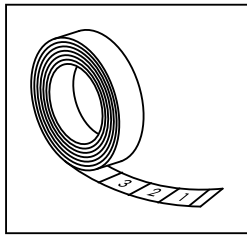
27



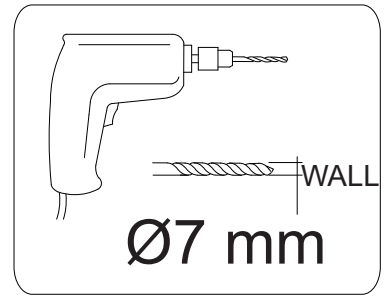
28



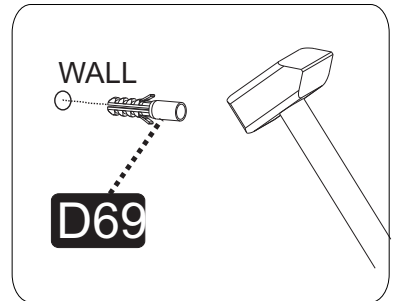
29



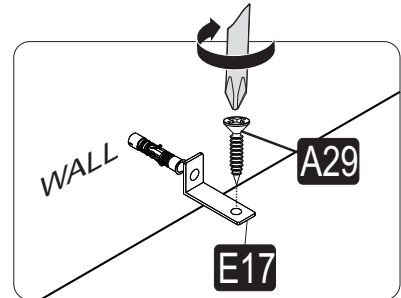
PART-1



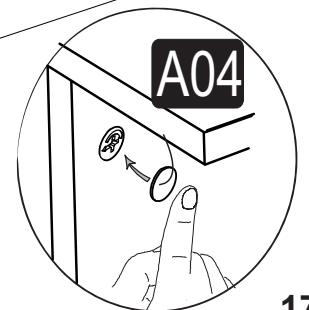
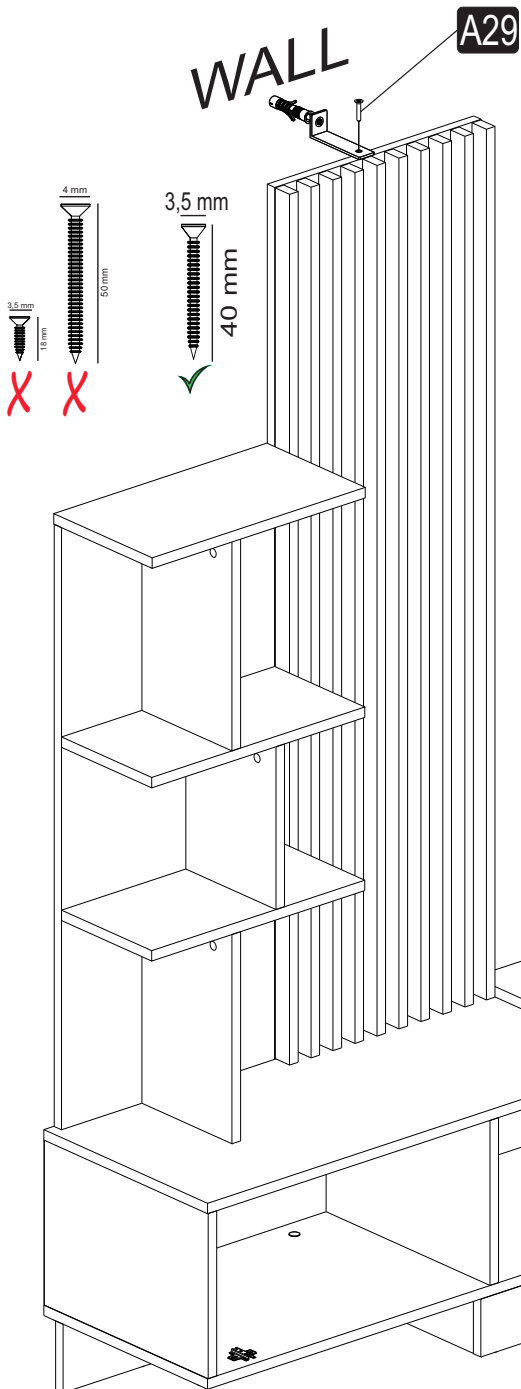
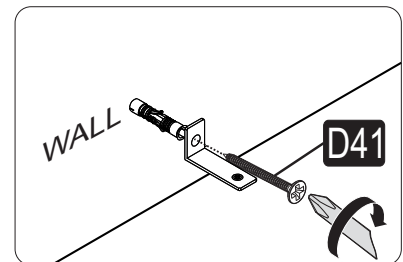
PART-2



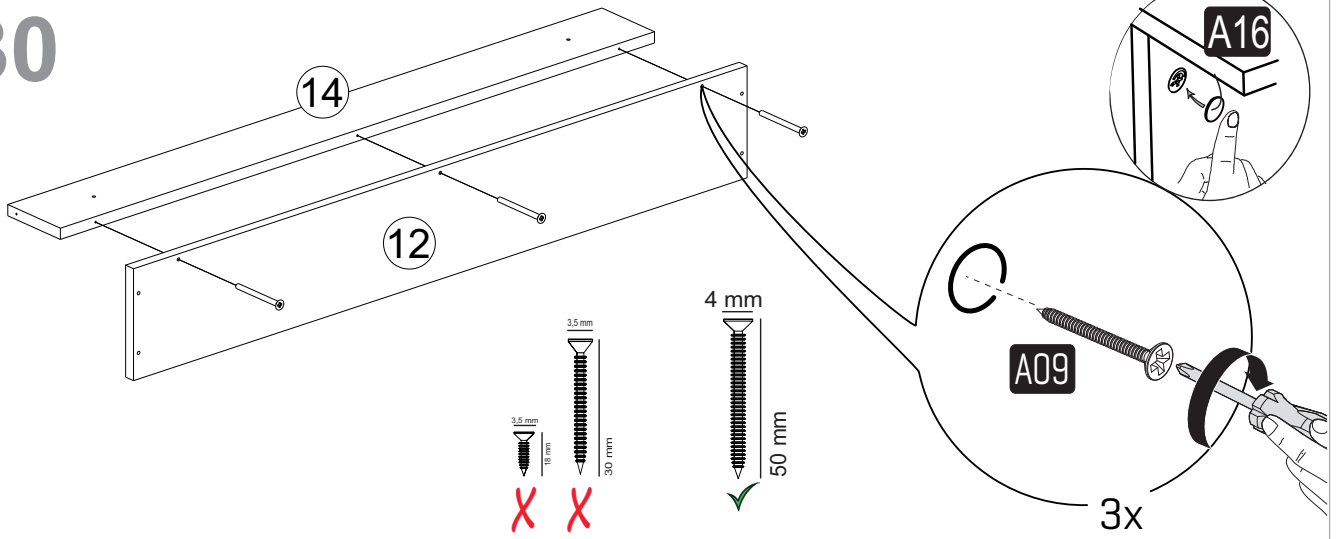
PART-3



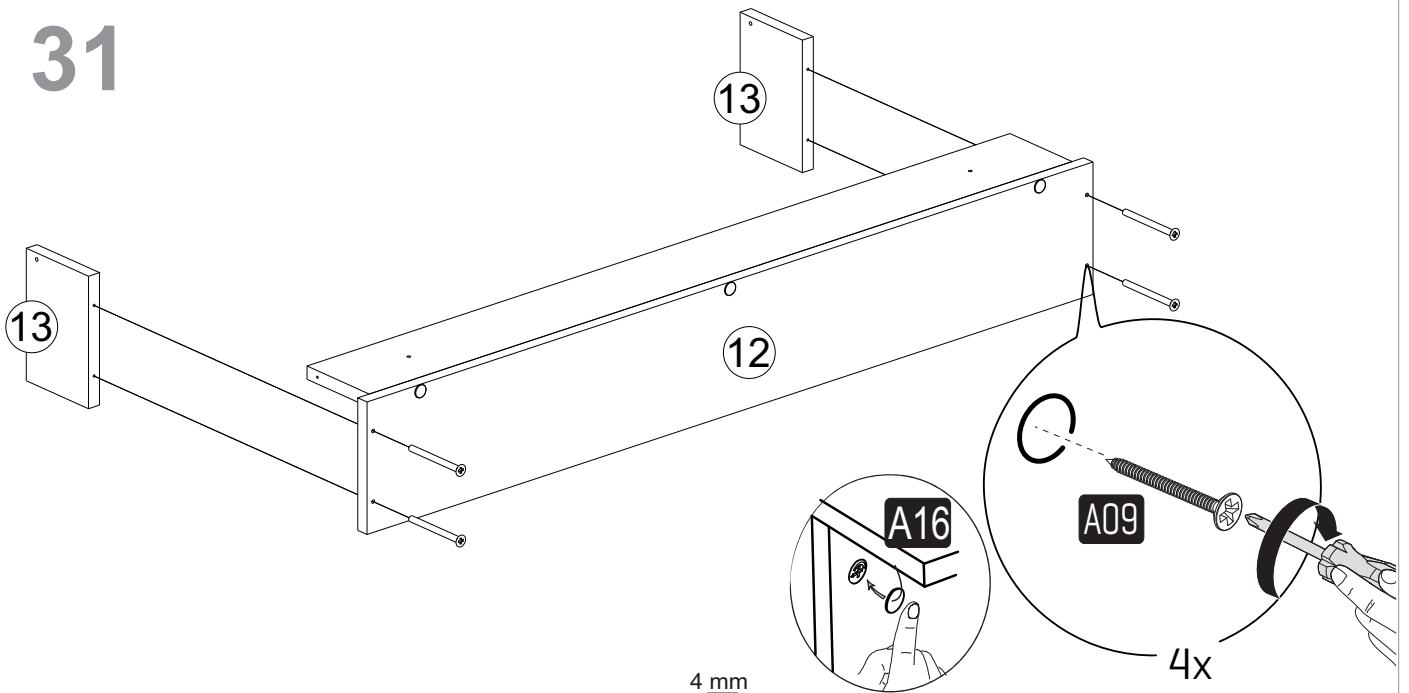
PART-4



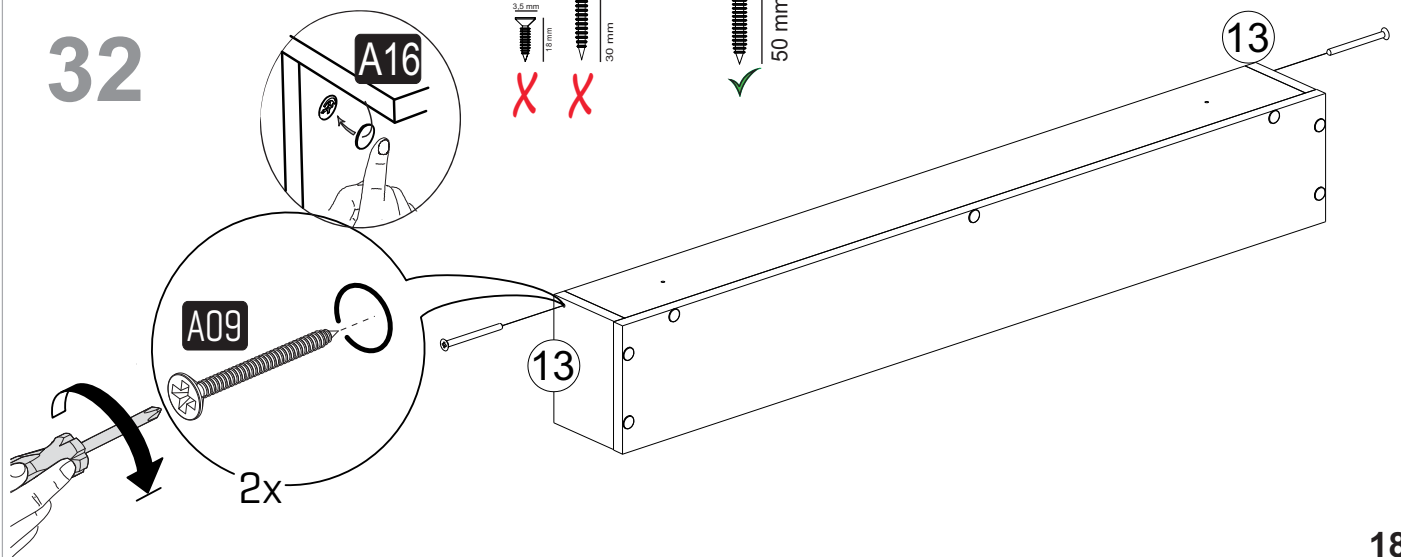
30



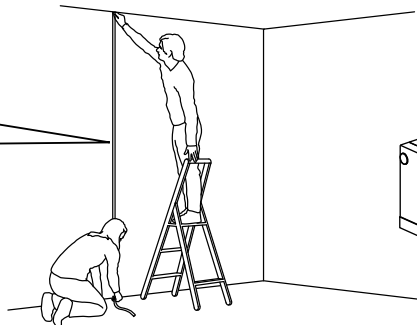
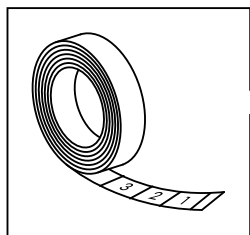
31



32

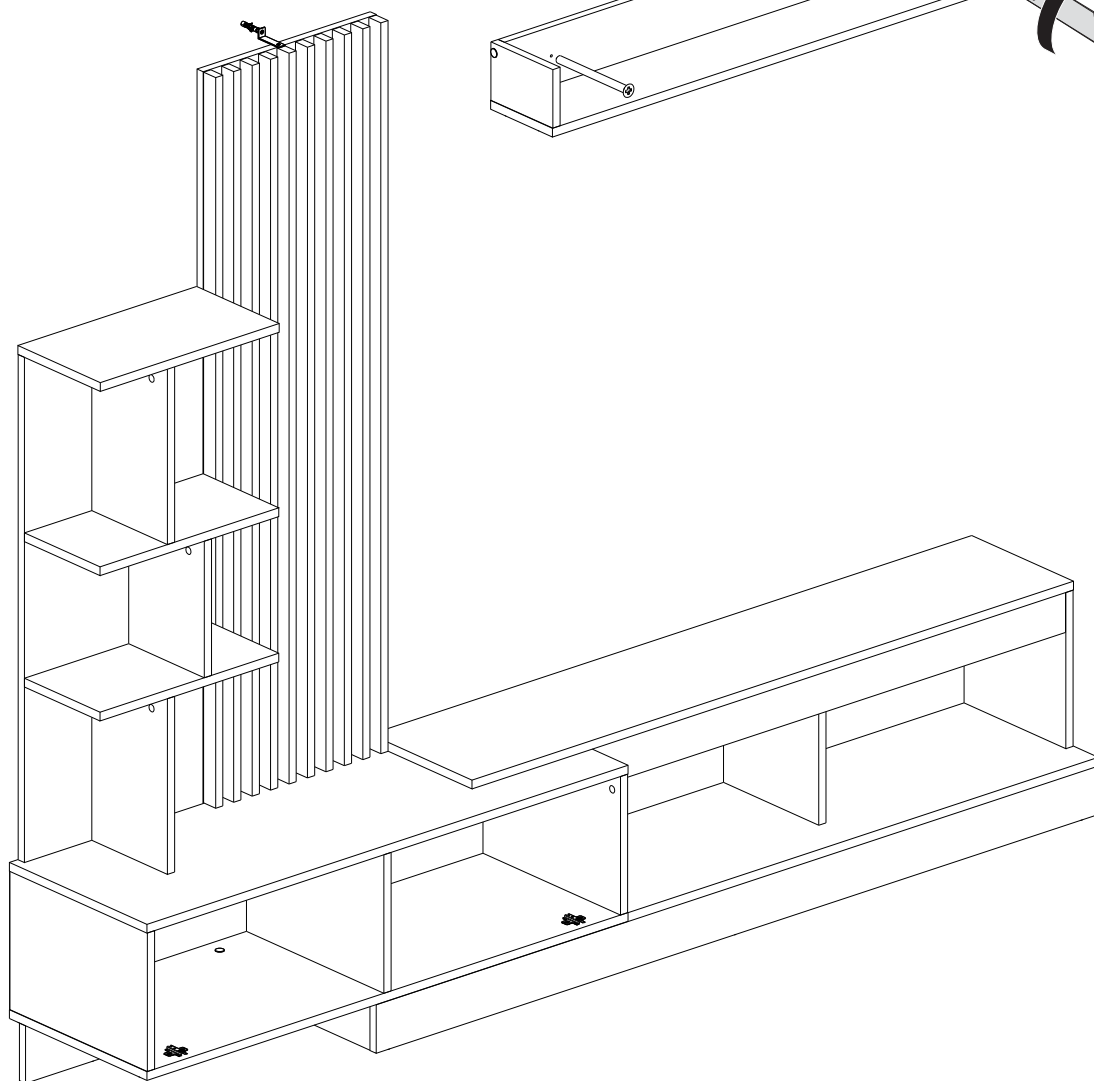
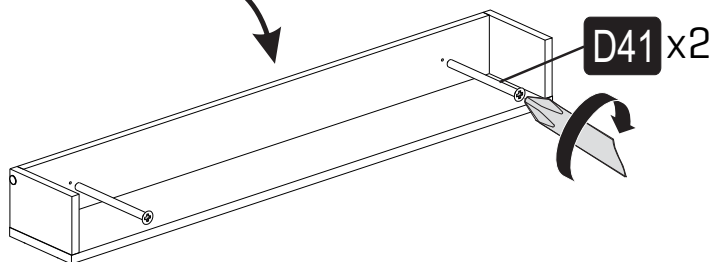
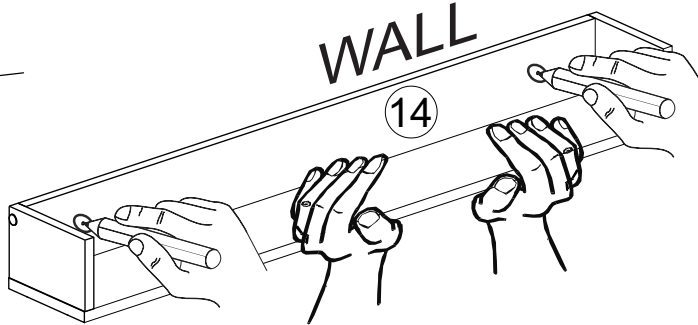


33

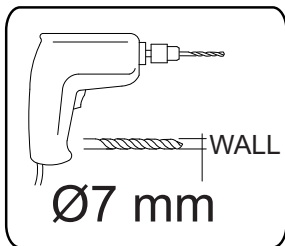


WALL

14

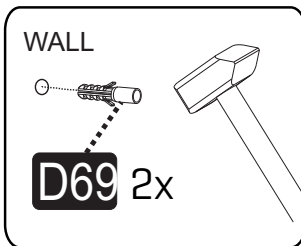


PART-1



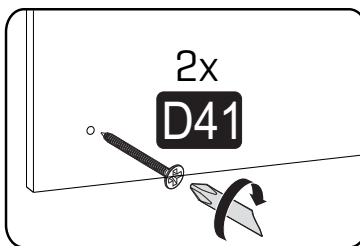
Ø7 mm

PART-2



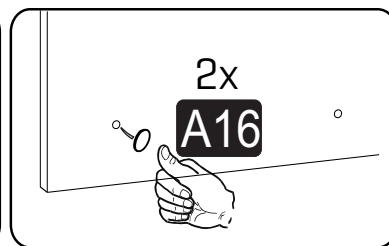
D69 2x

PART-3



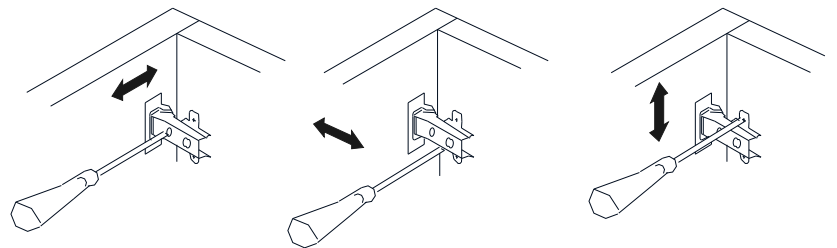
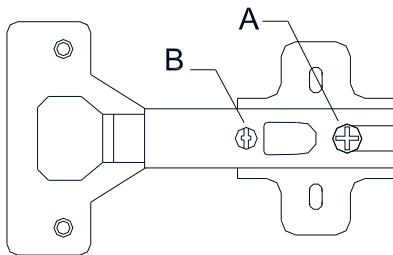
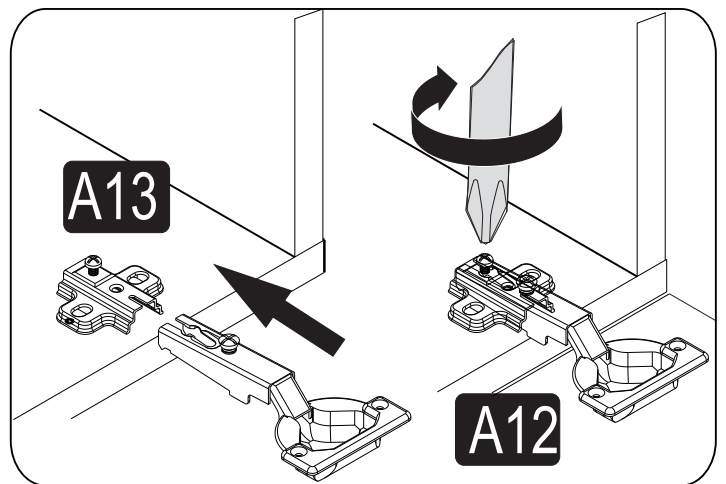
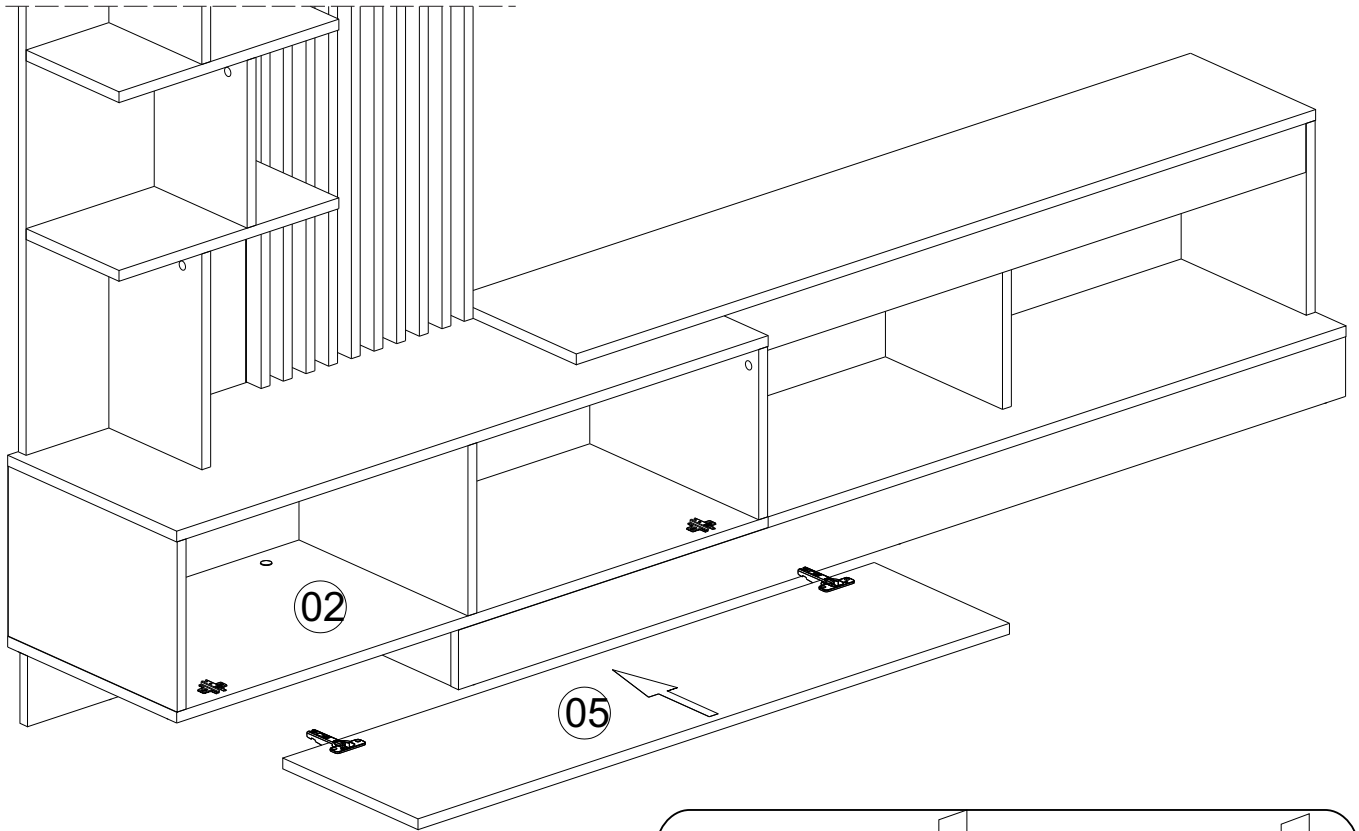
2x
D41

PART-4



2x
A16

34



A= to connect the hinge to the door
 B= to arrange the door

arrows to show the directions for arrangement of doors.