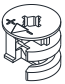
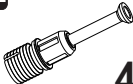
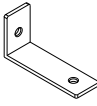






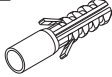
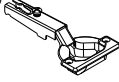
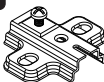



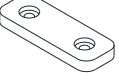
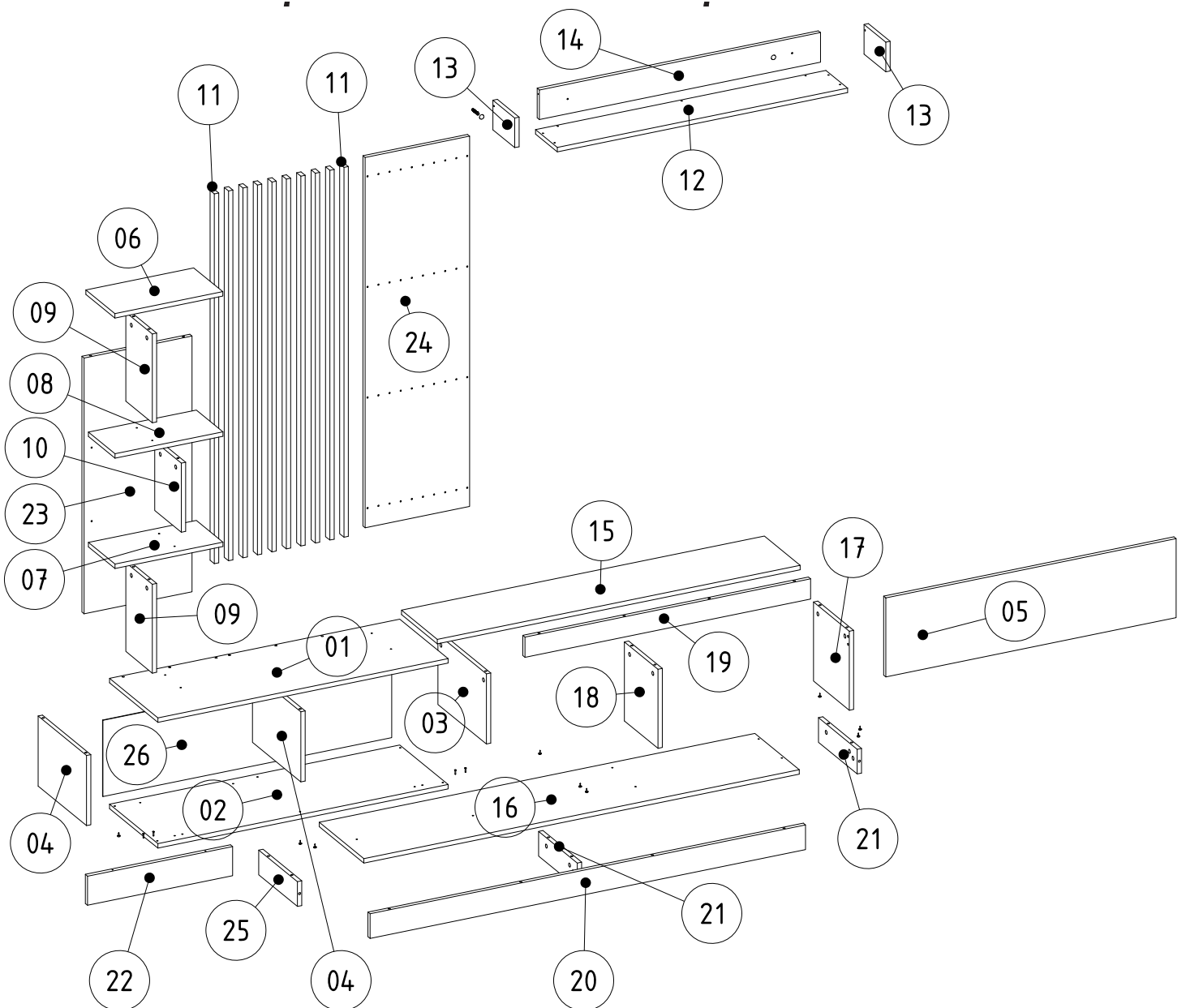


i GP042-0323,2

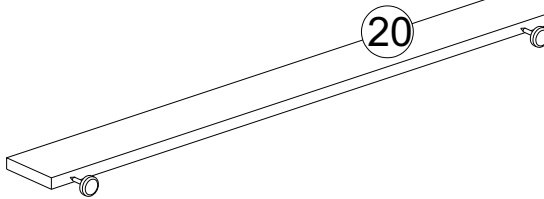
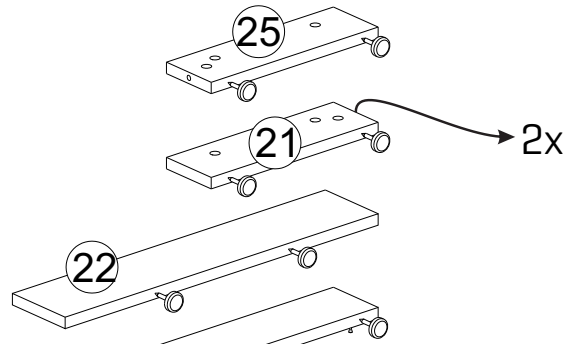
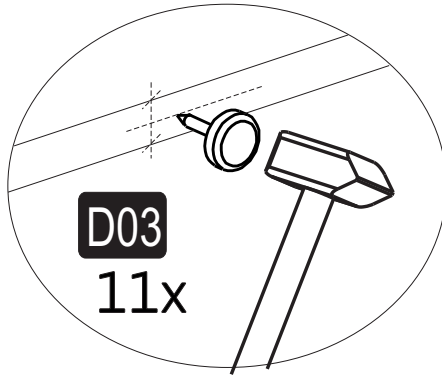


240 x 40 x 192cm

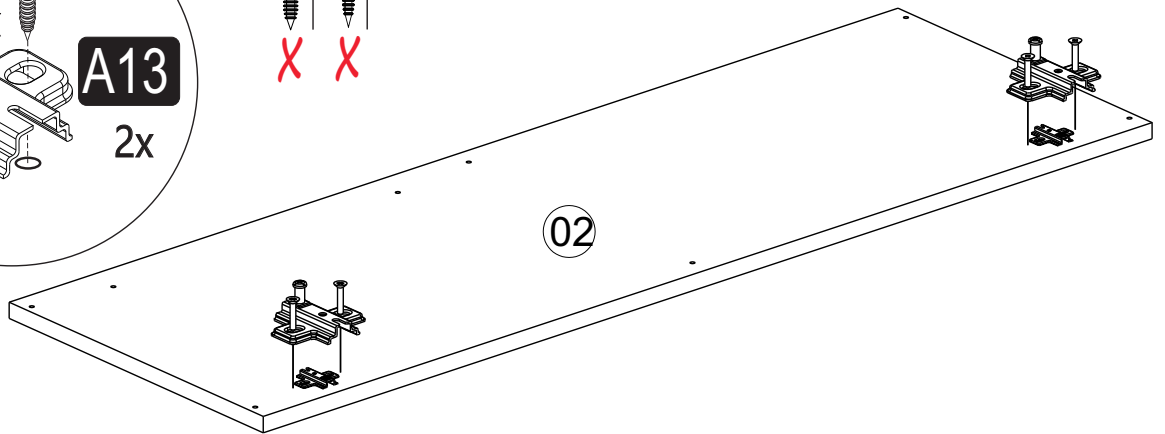
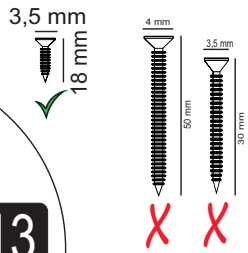
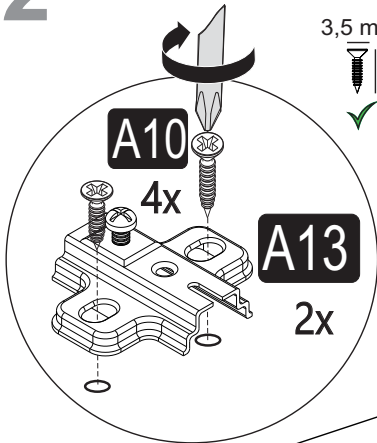
| | | | | |
|--|--|---|---|---|
| A01  43x | A02  43x | E17  1x | A29  3,5x30 5x | A28  29x |
| A66  3,5x40 40x | A10  3,5x18 10x | A09  4x50 31x | D41  5x70 3x | D69  Ø8 3x |
| A12  DM 2x | A13  MA 2x | D03  Ø14 SYH 11x | A04  A 12x D 31x | A16  A 27x D 50x |
| H08  SYH 1x | | | | |



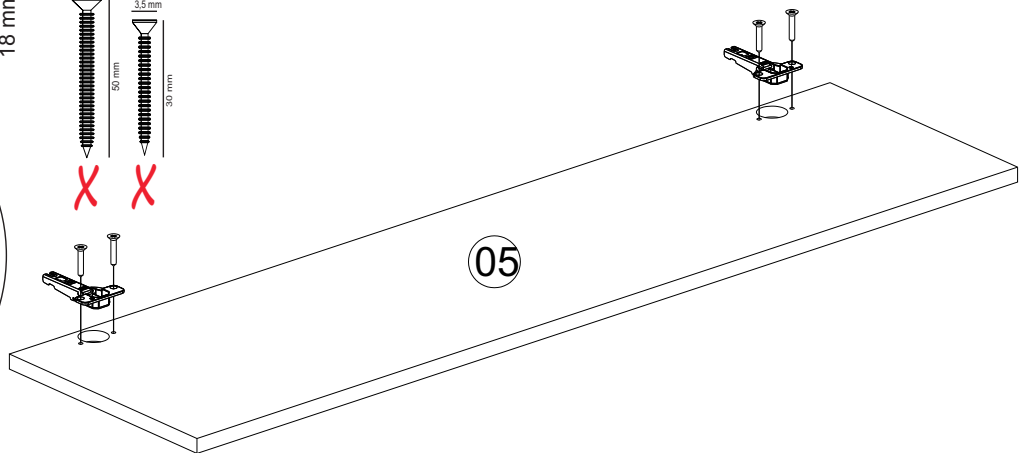
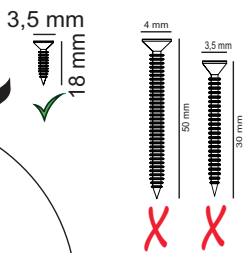
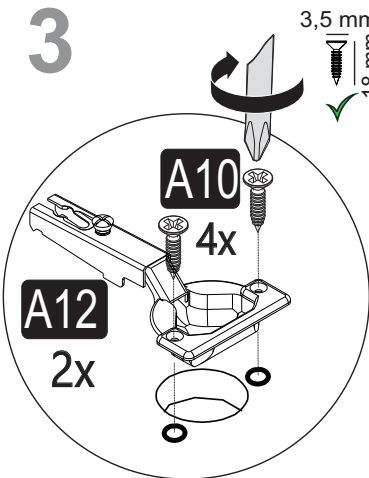
1



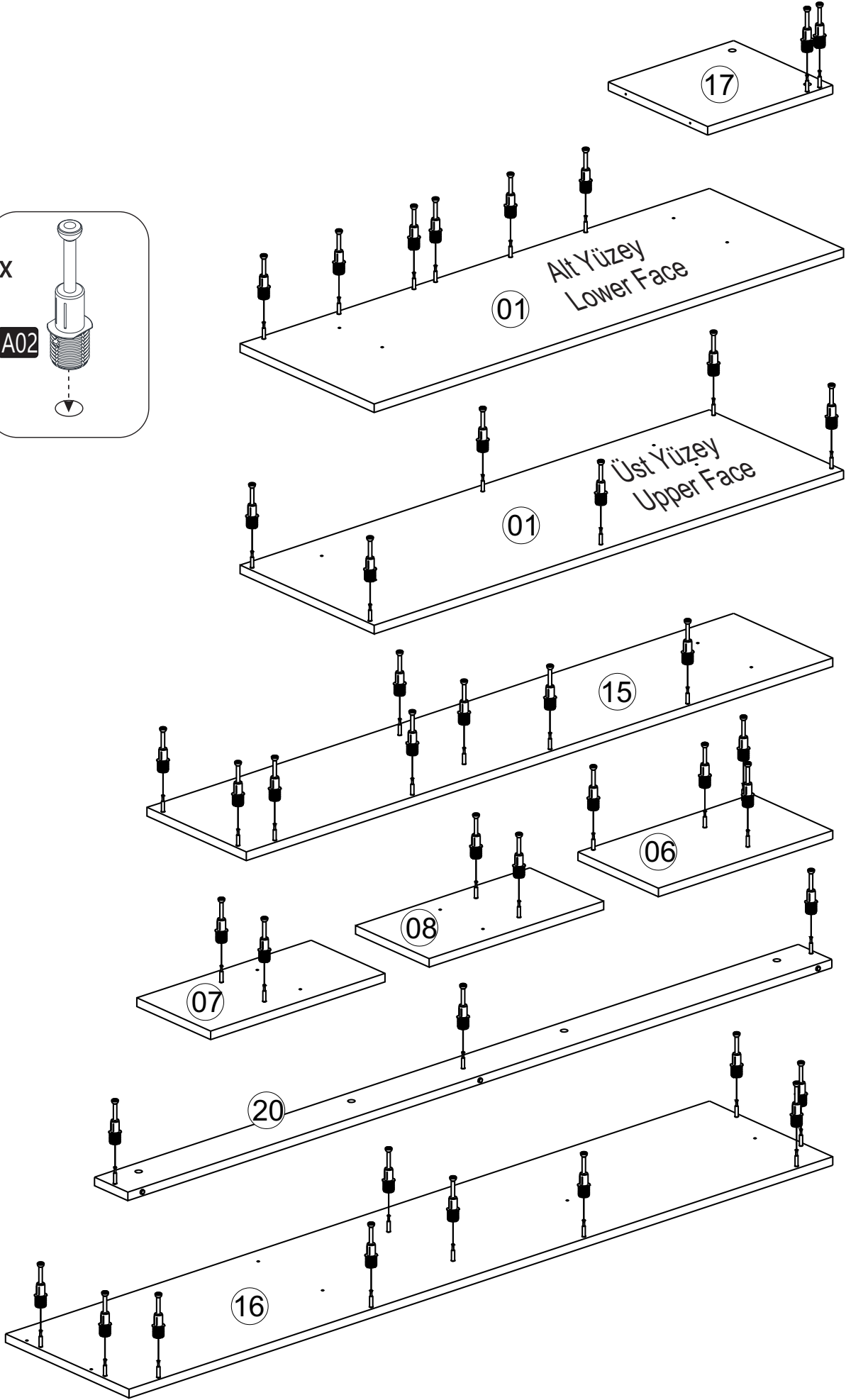
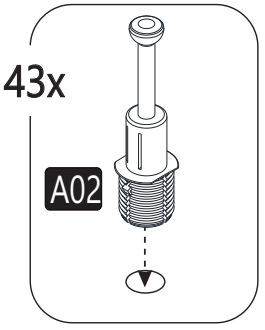
2



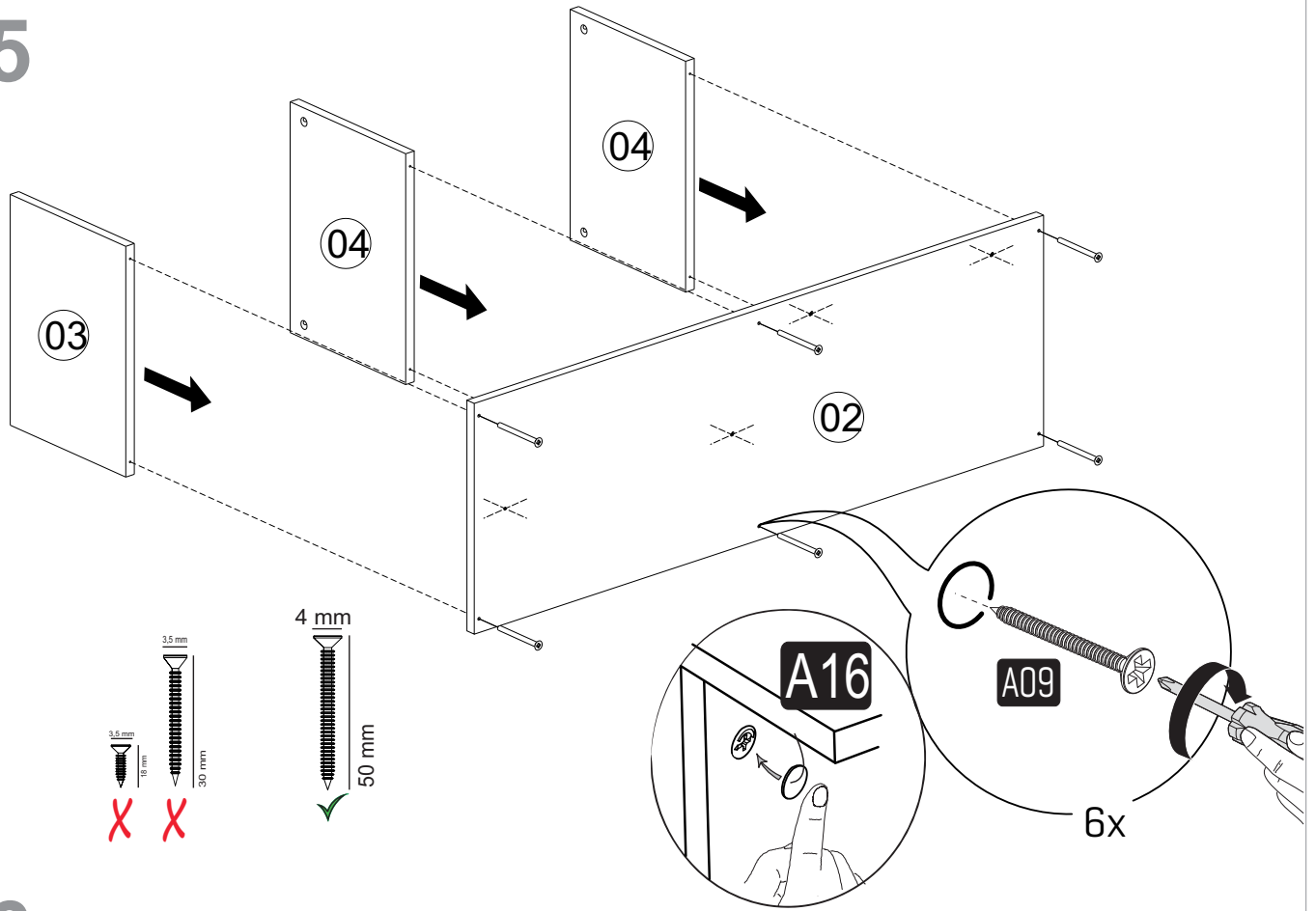
3



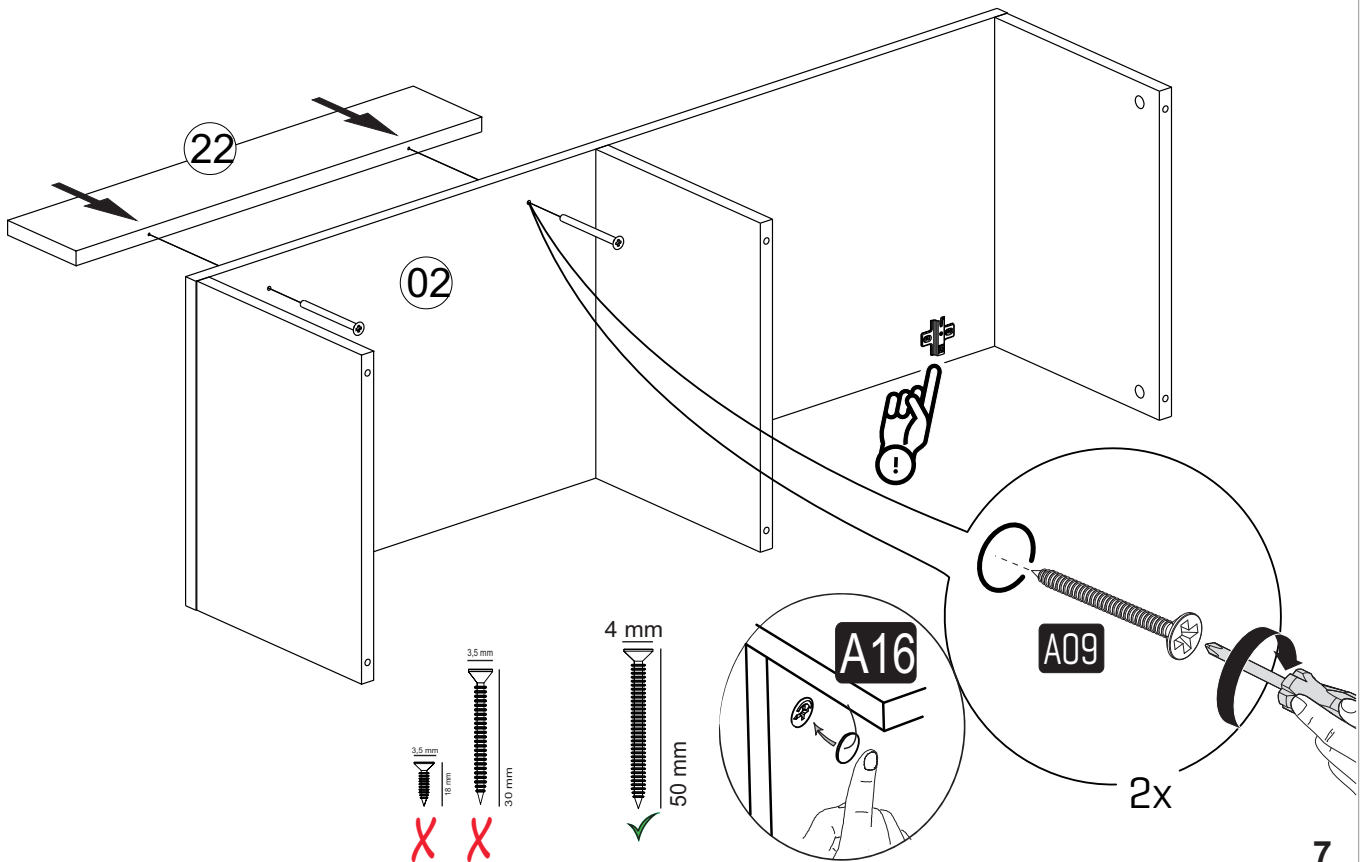
4



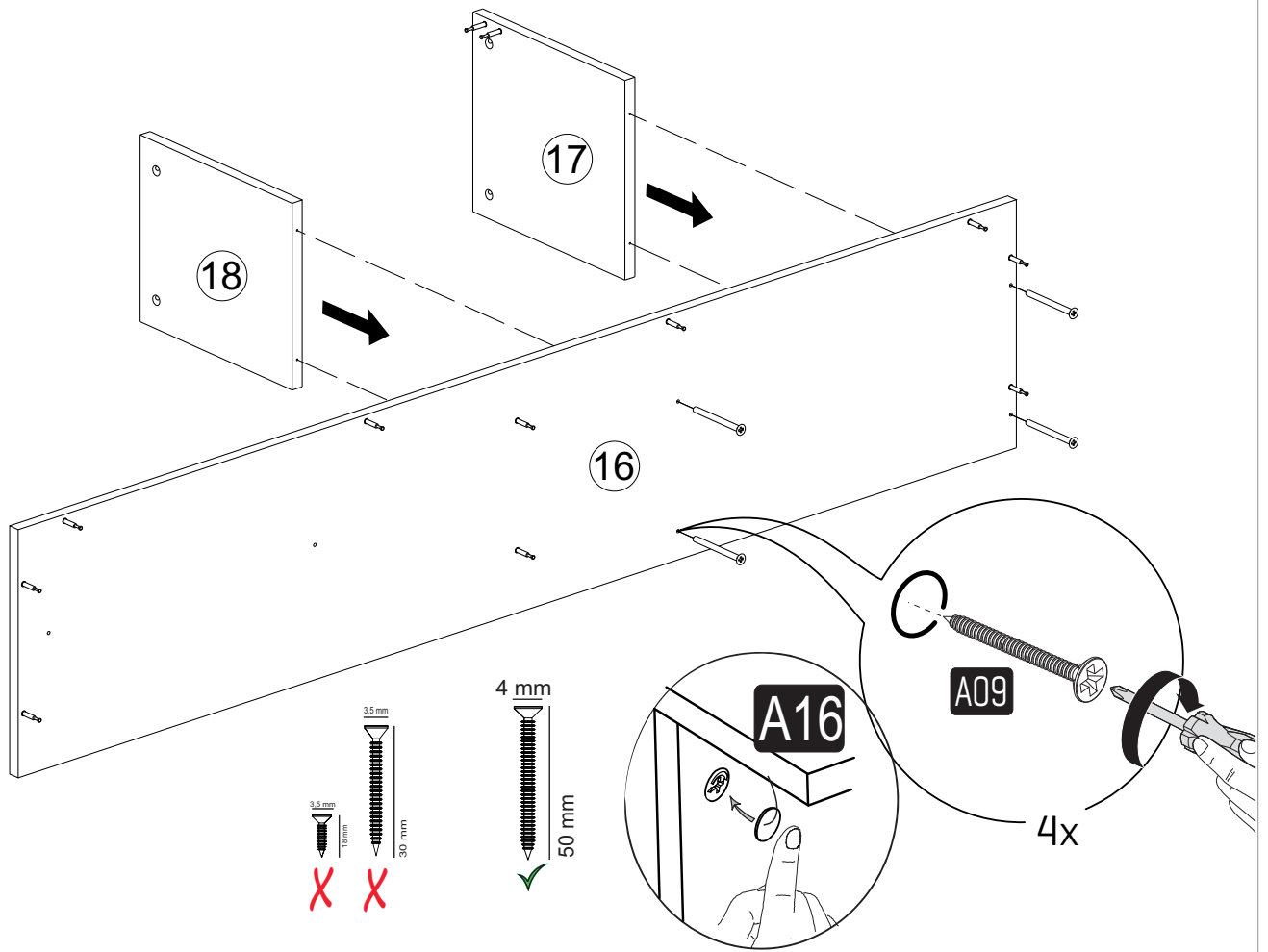
5



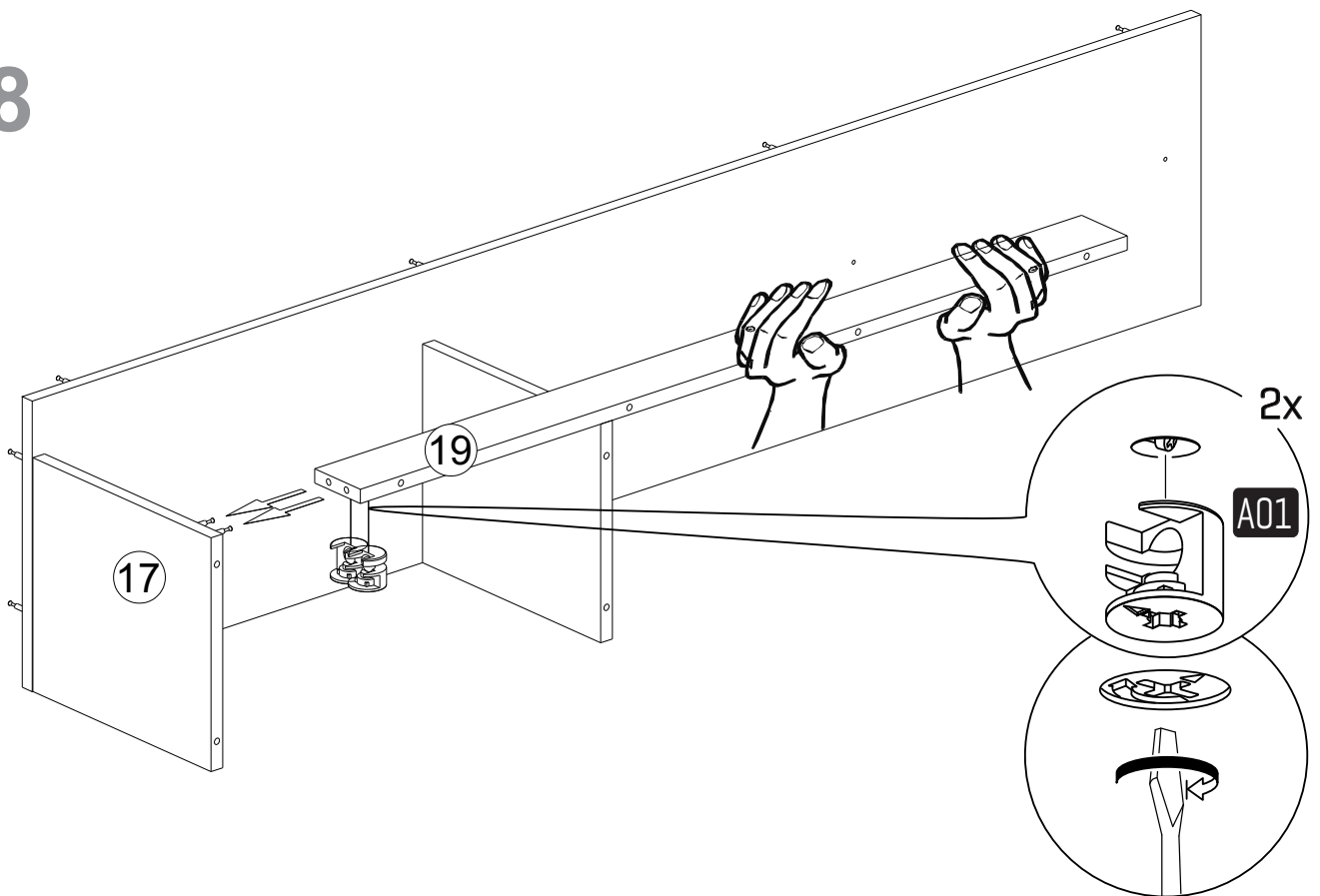
6



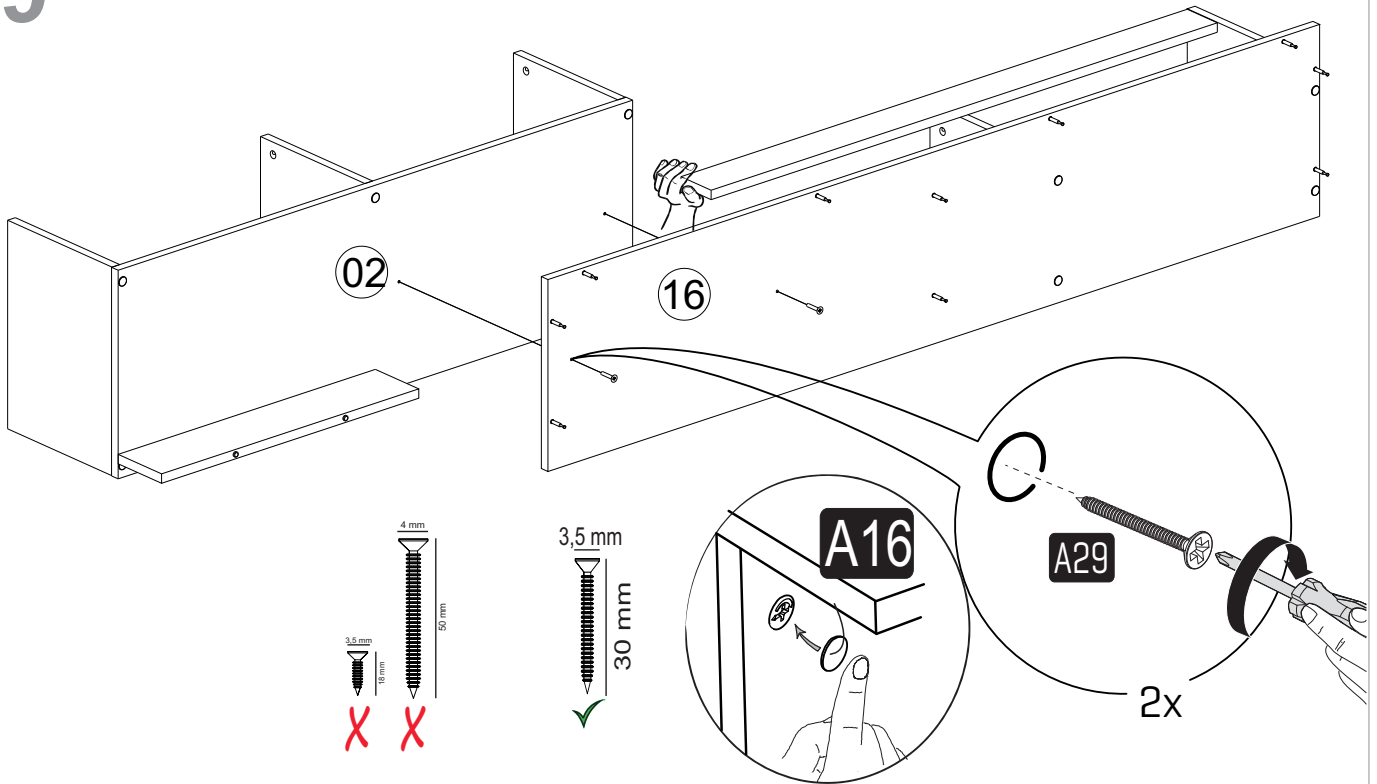
7



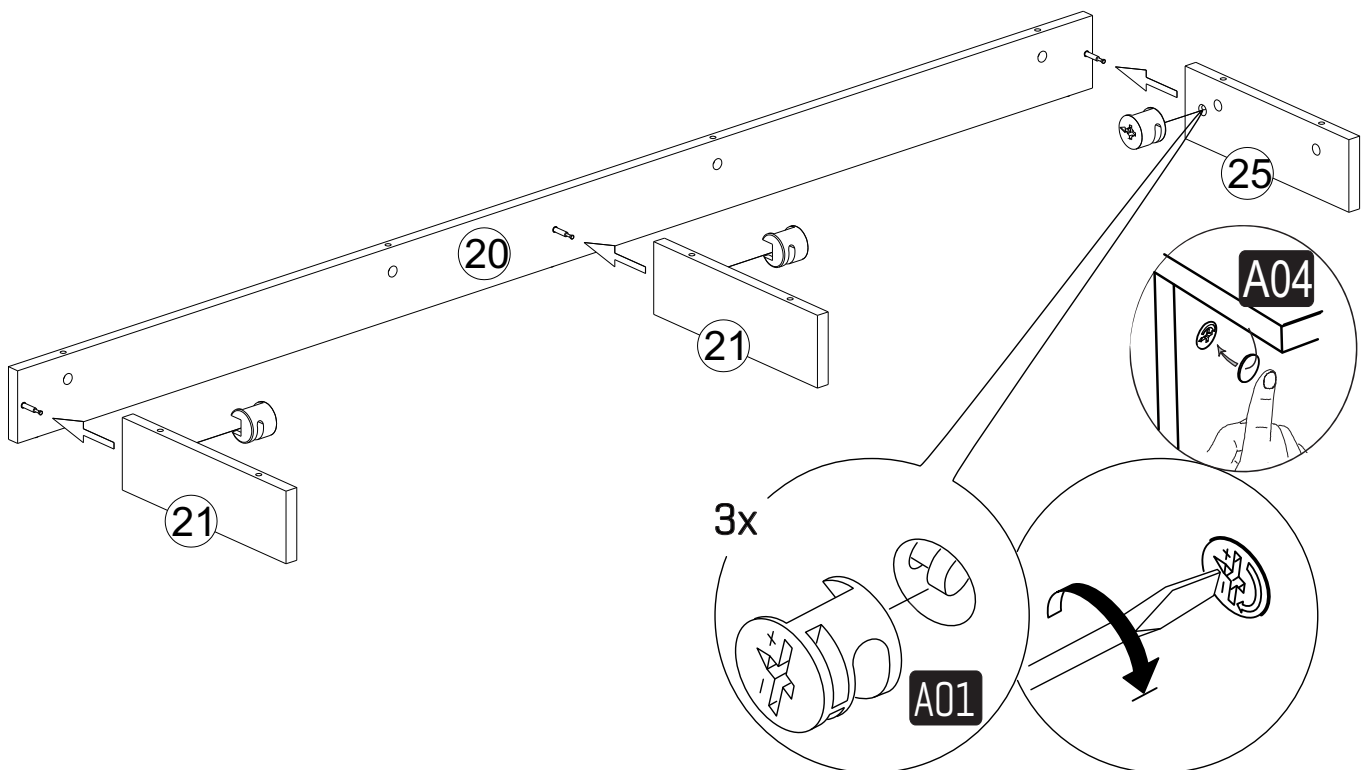
8



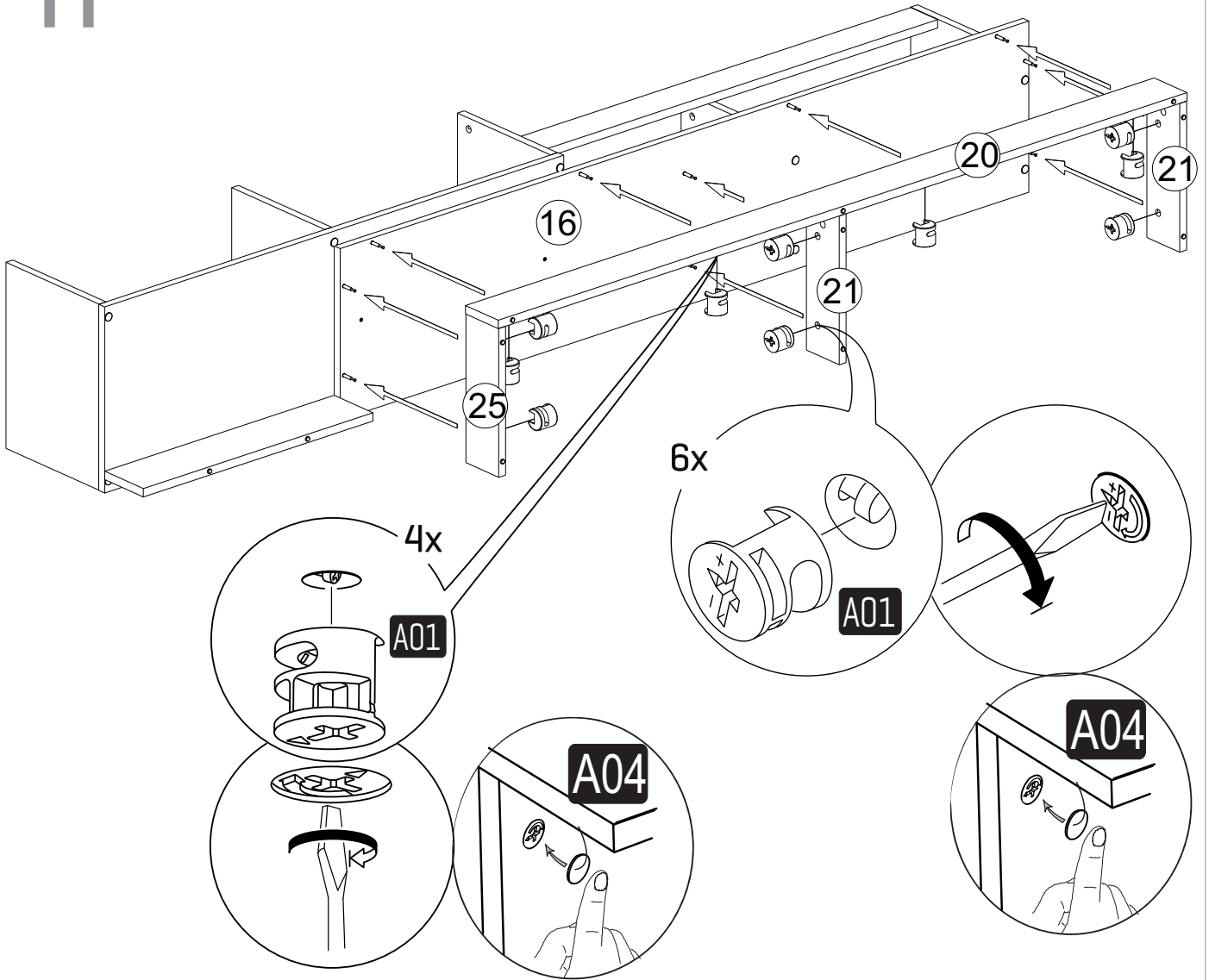
9



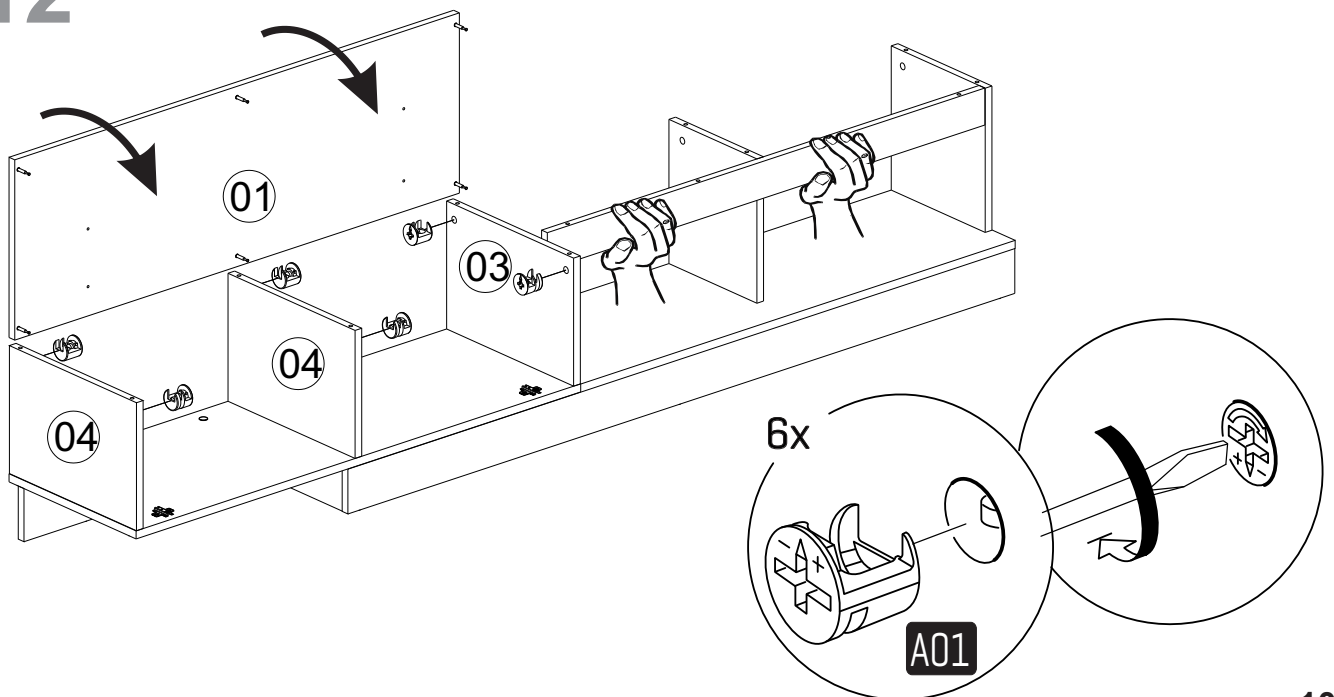
10



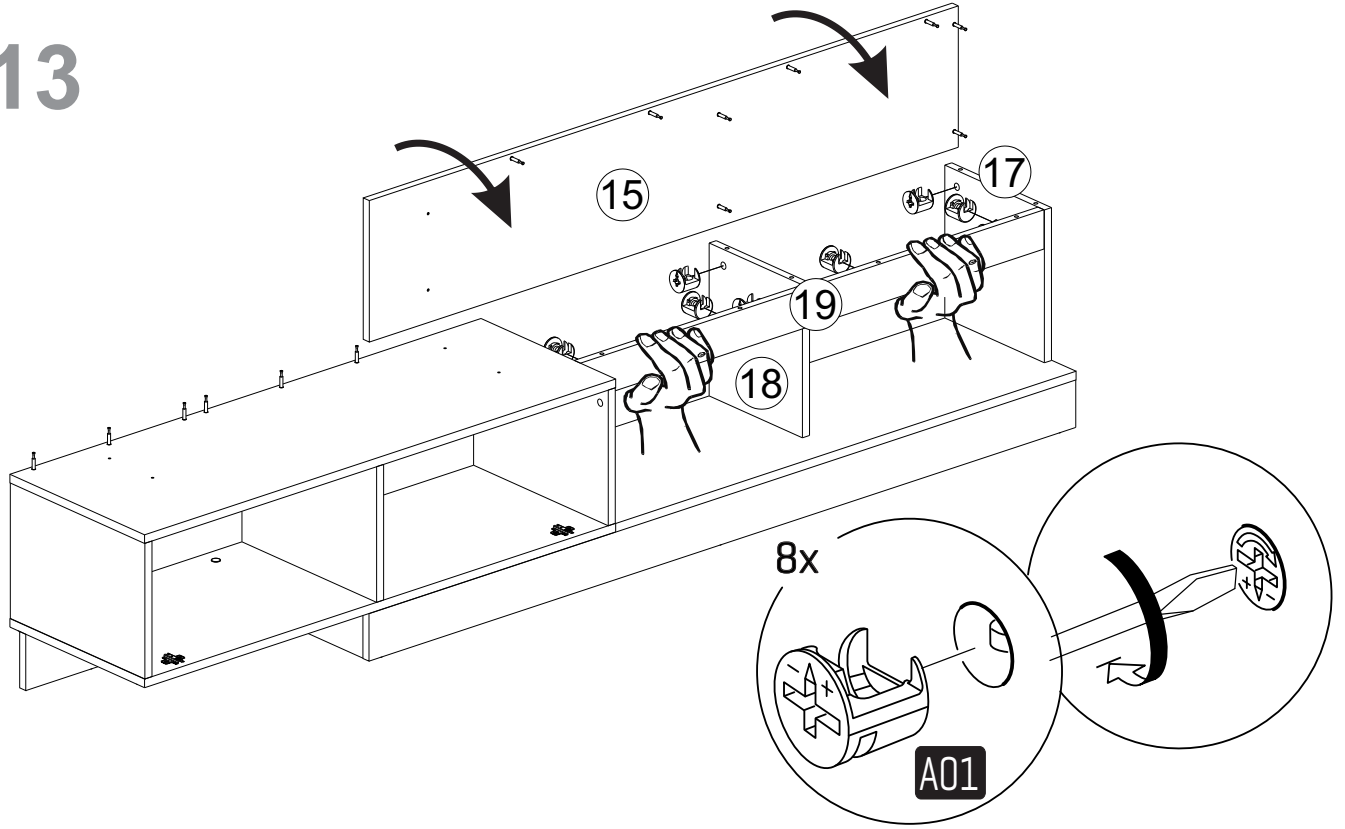
11



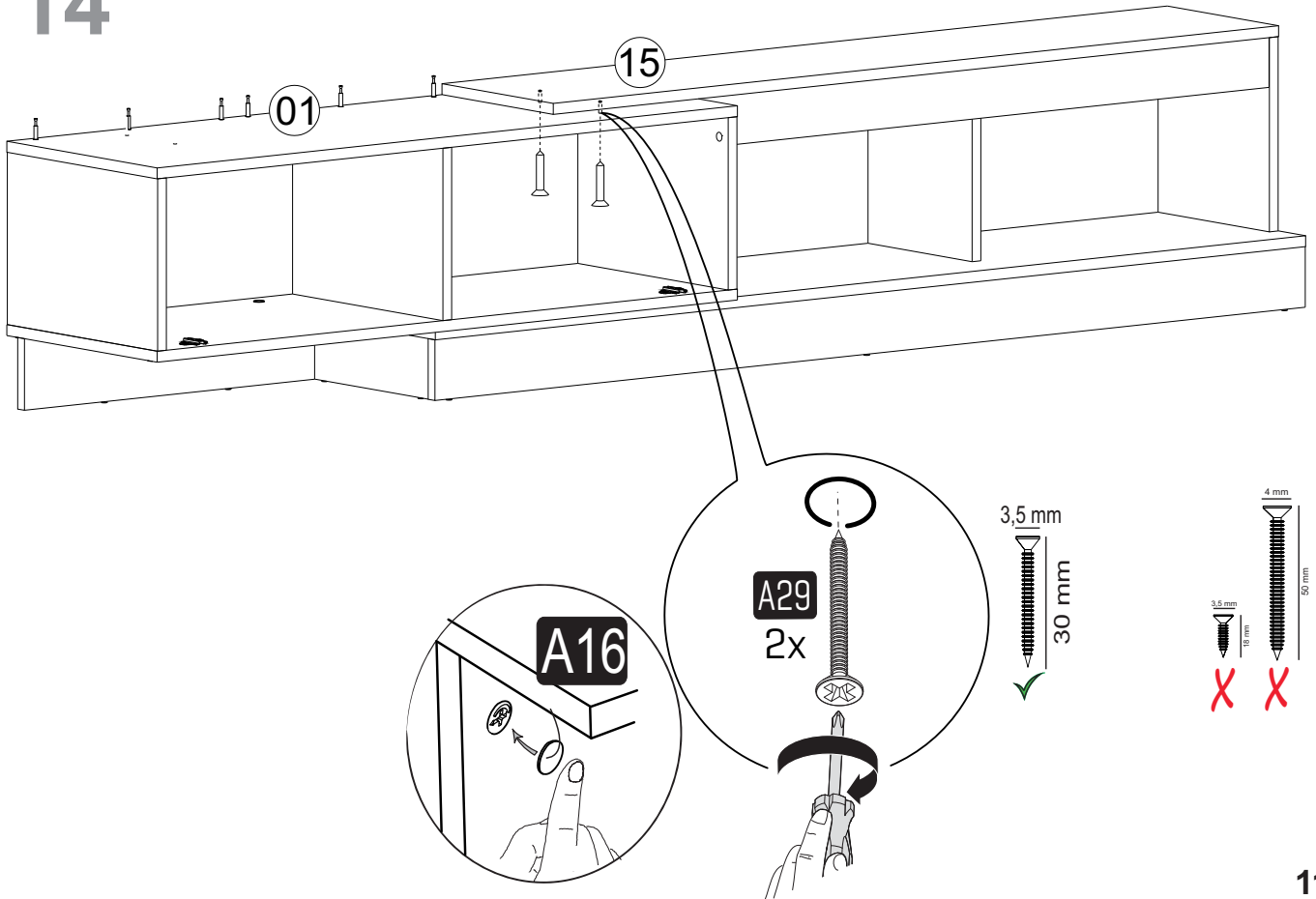
12



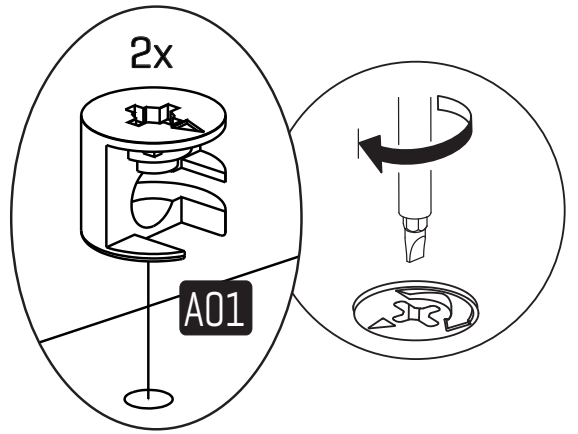
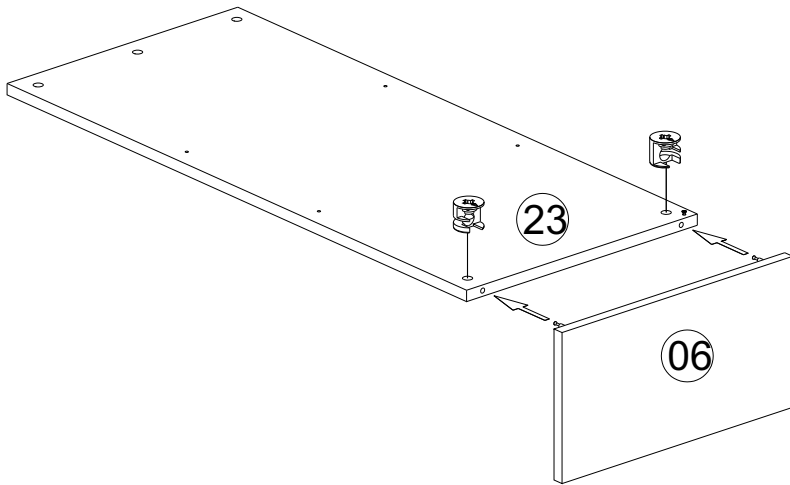
13



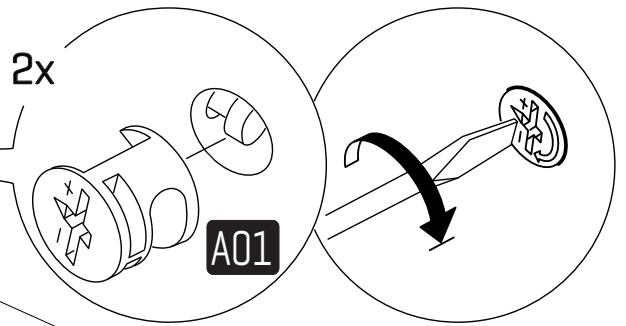
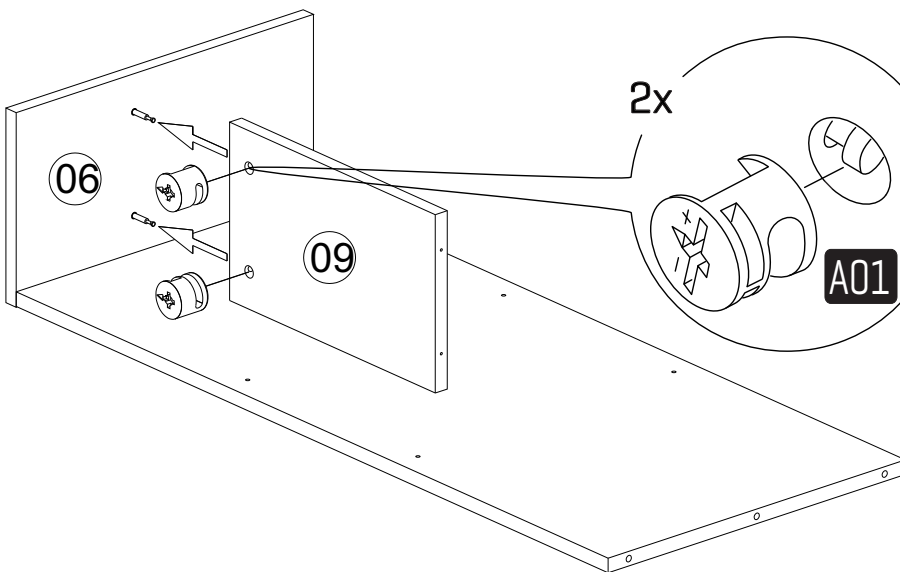
14



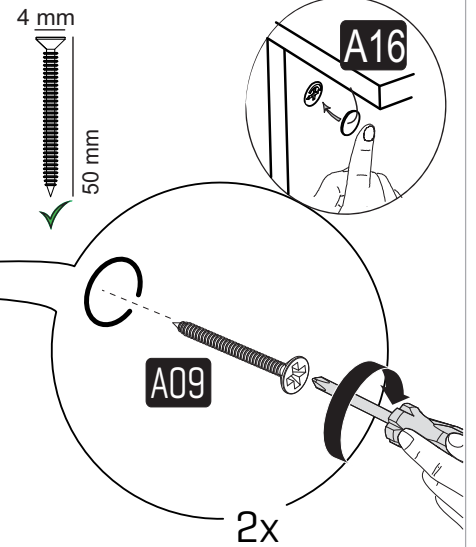
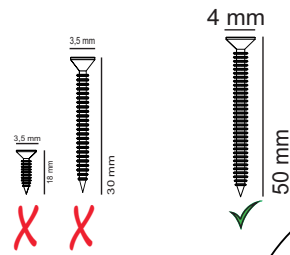
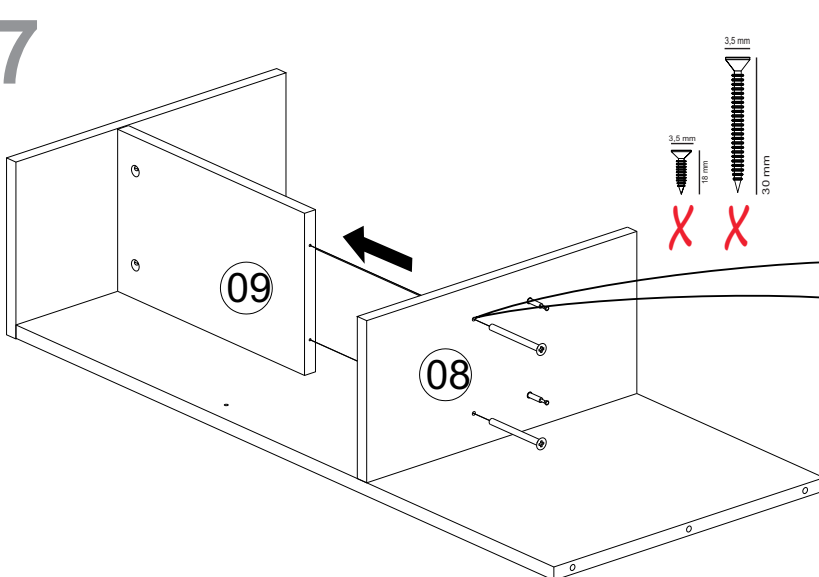
15



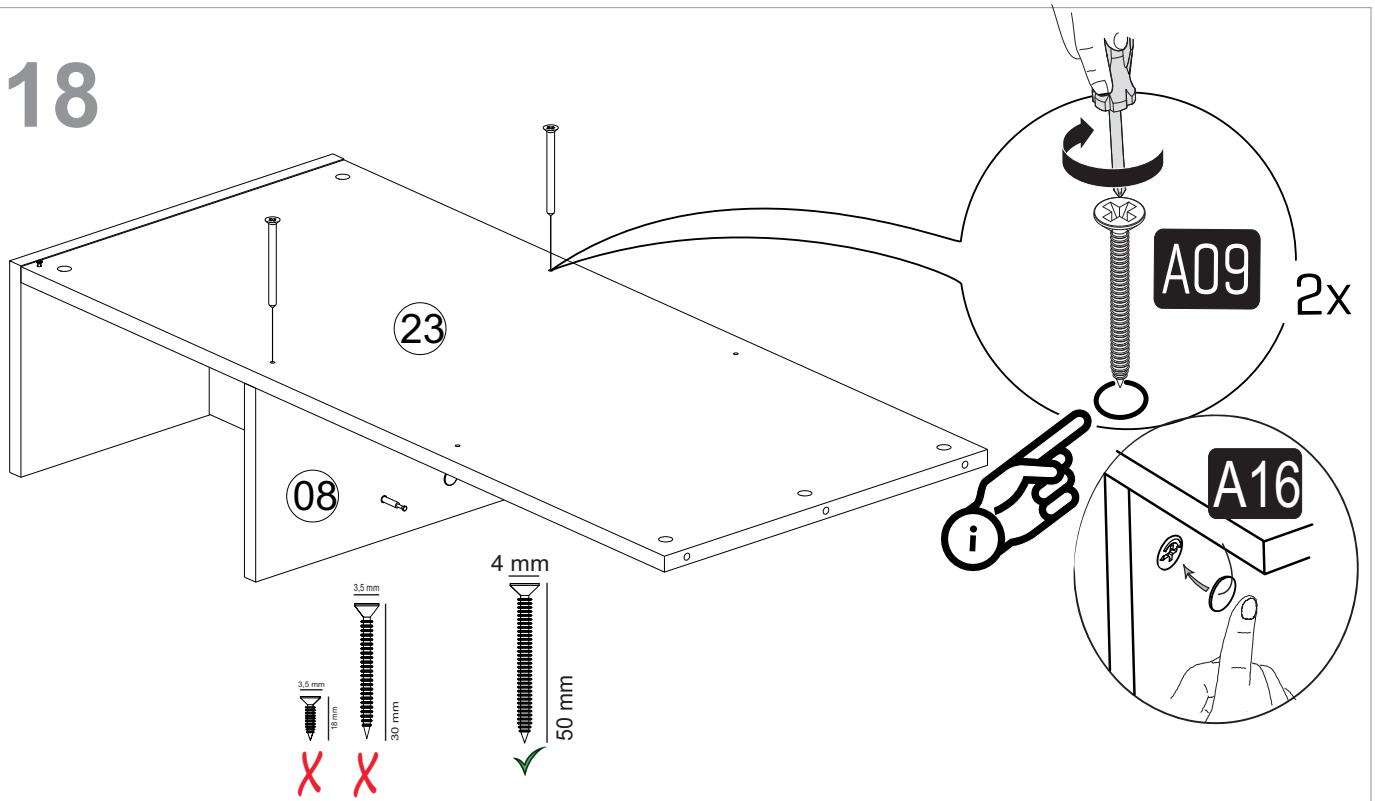
16



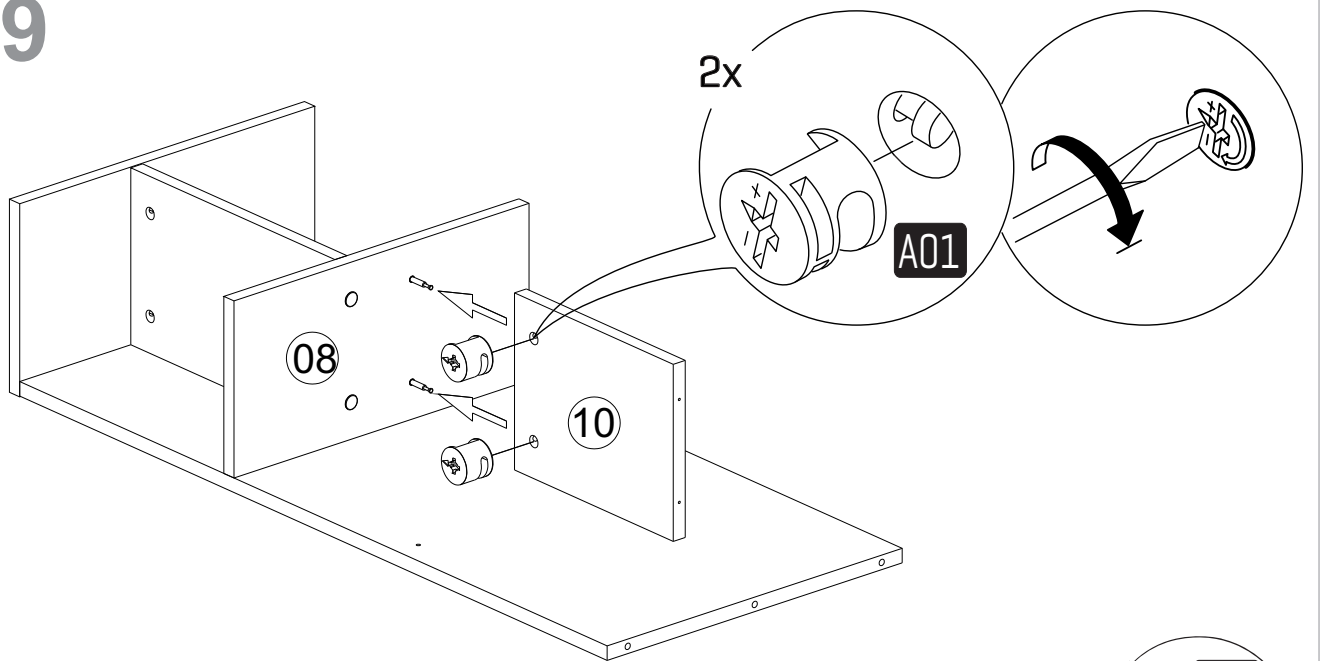
17



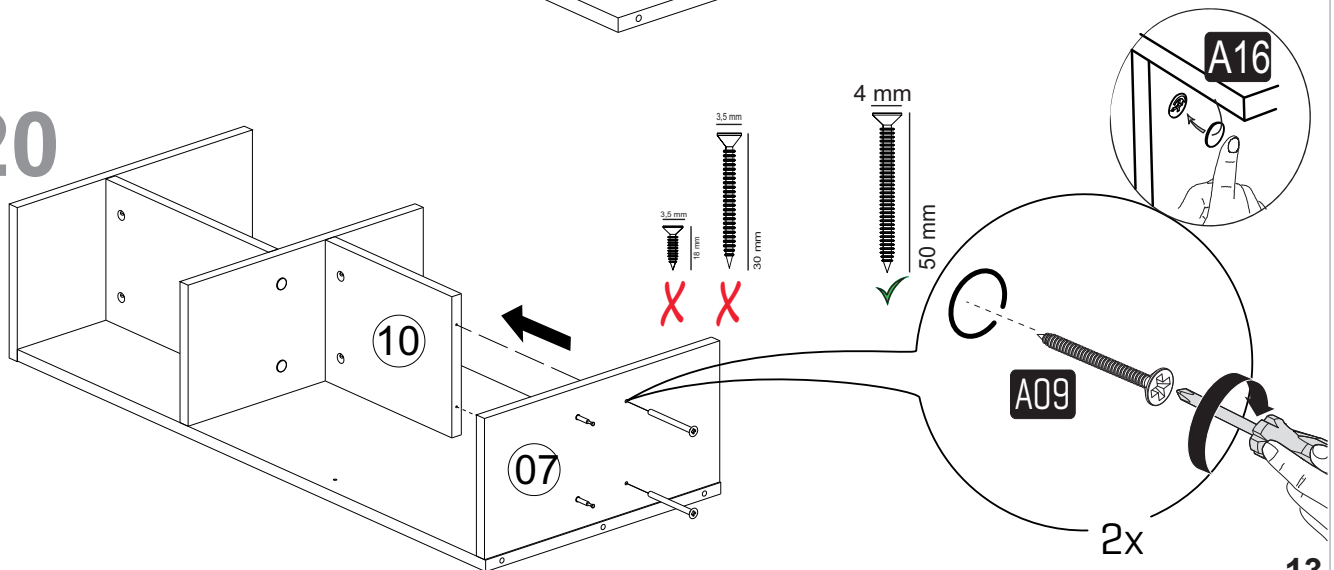
18



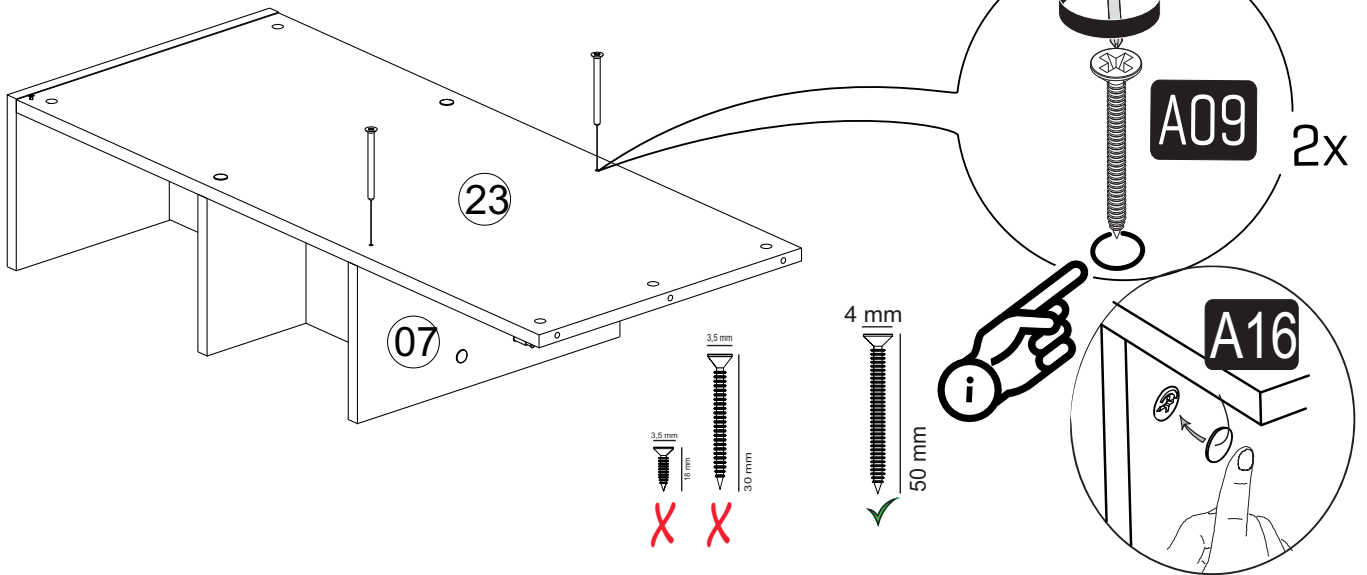
19



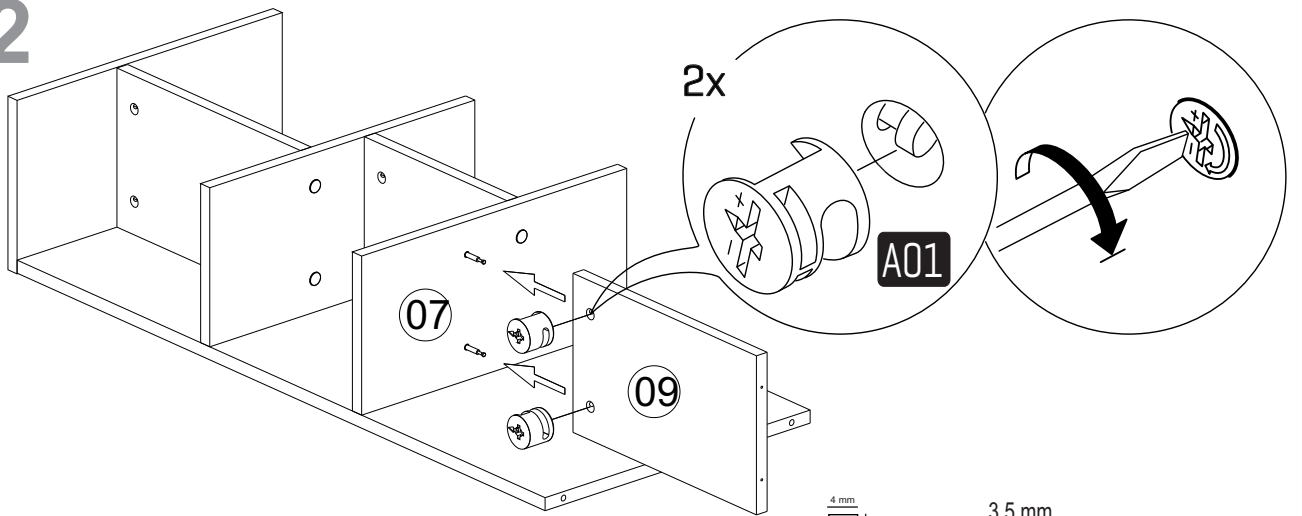
20



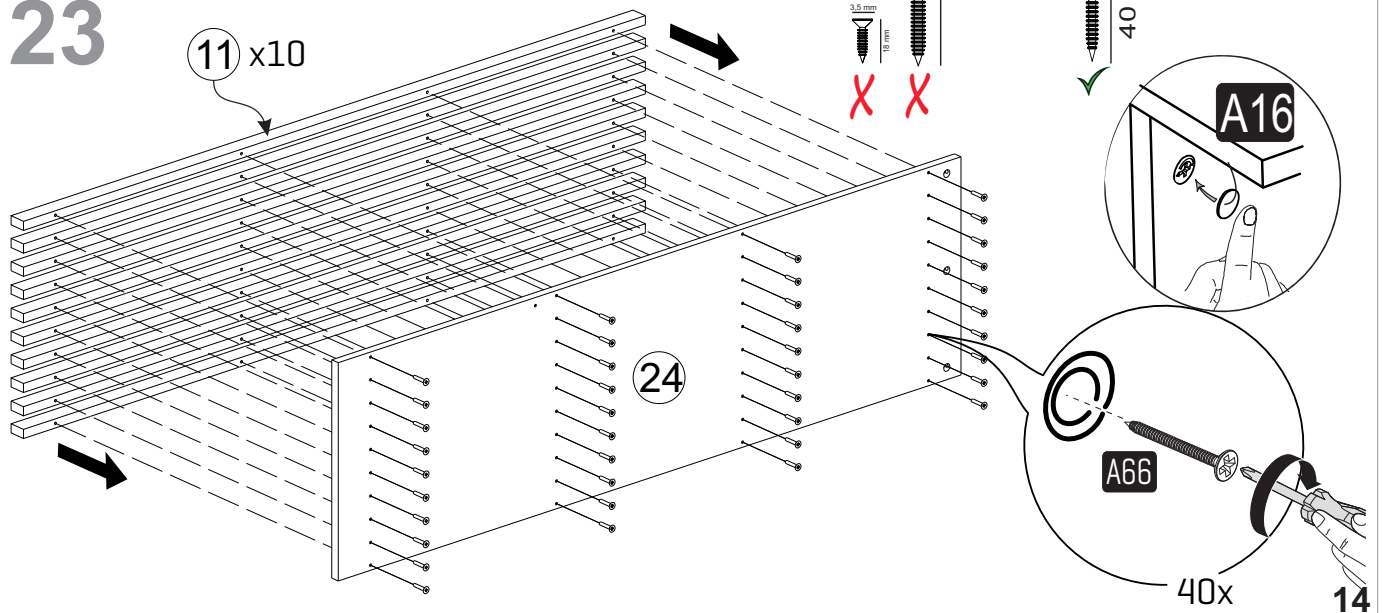
21



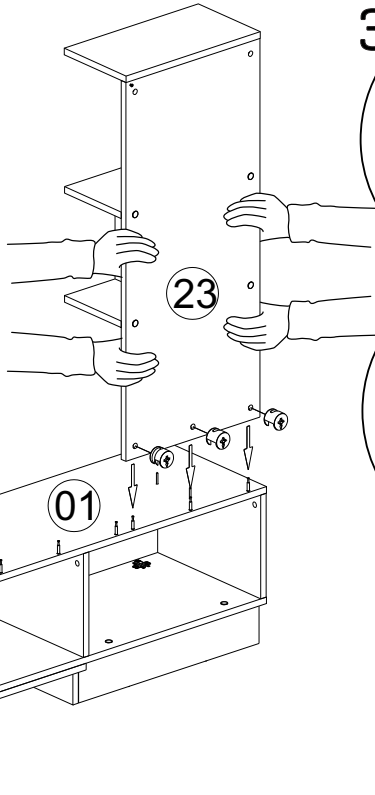
22



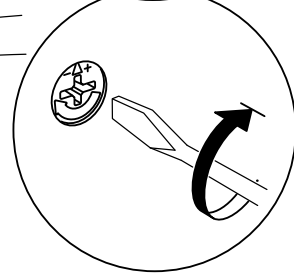
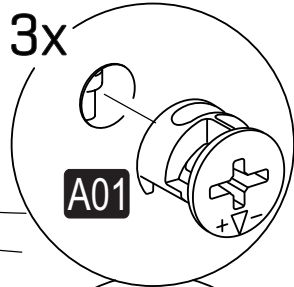
23



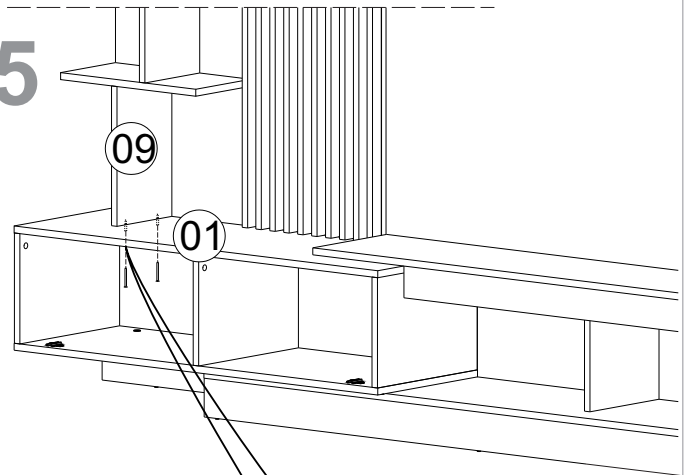
24



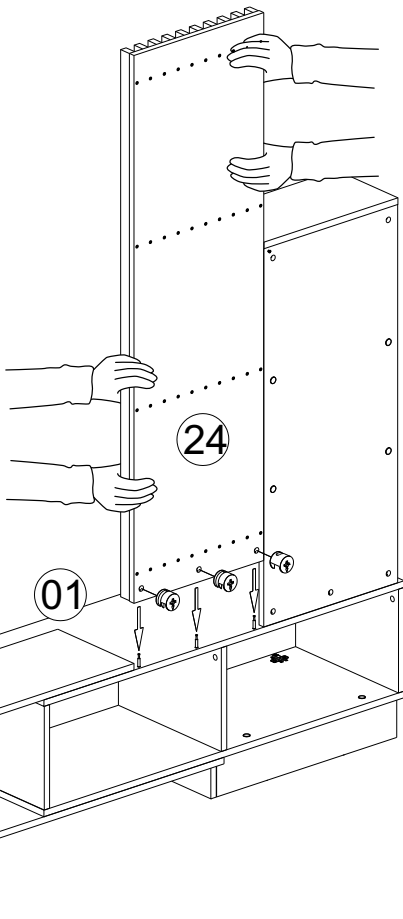
3x



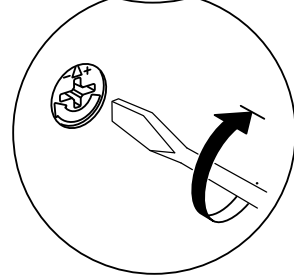
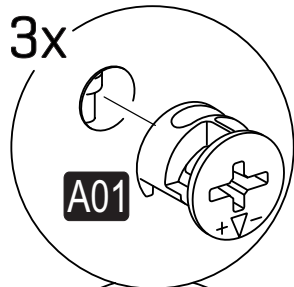
25



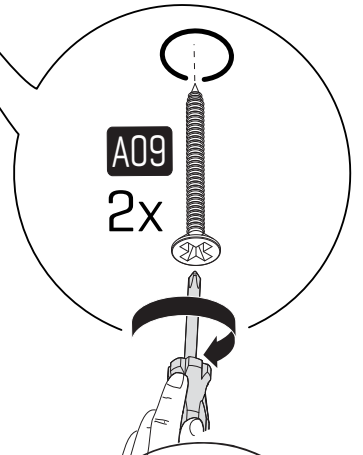
26



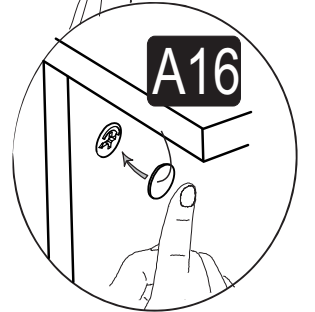
3x



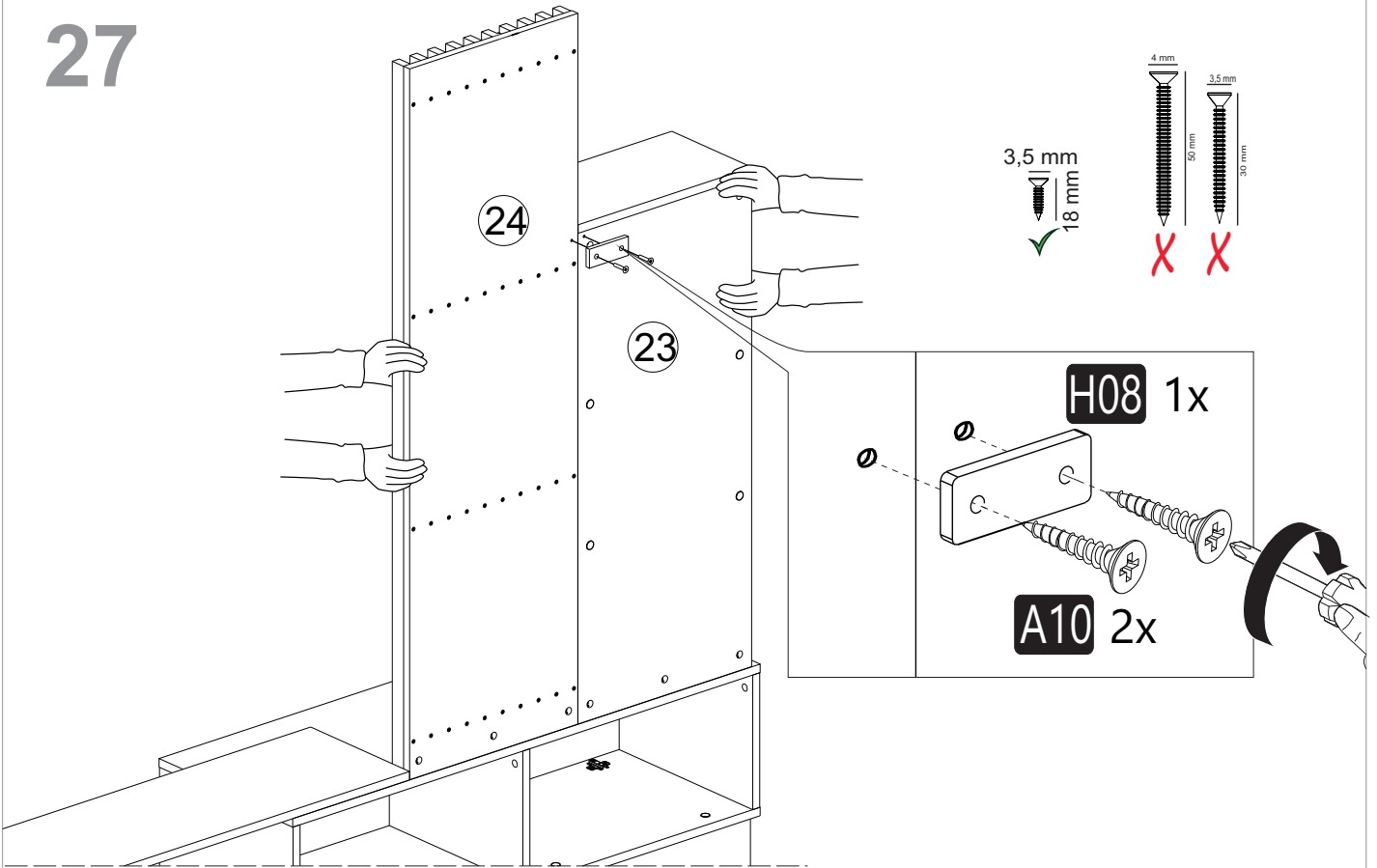
A09
2x



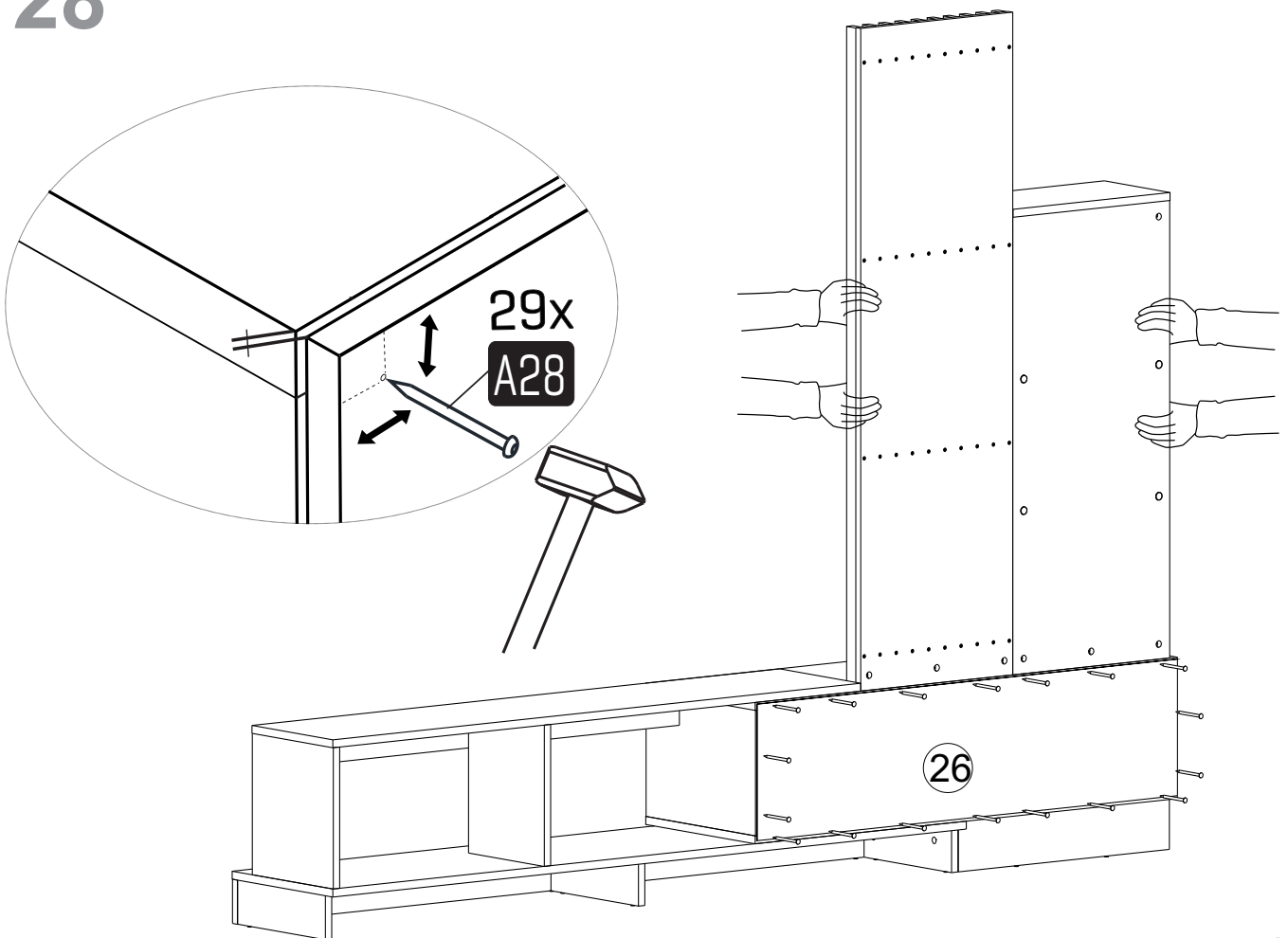
A16



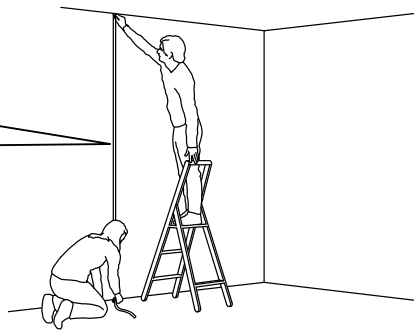
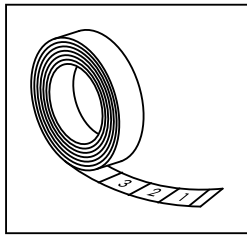
27



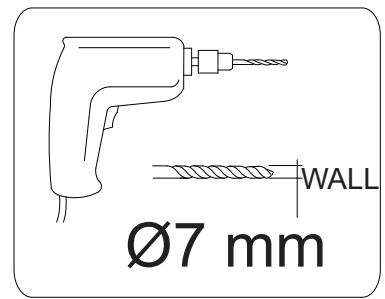
28



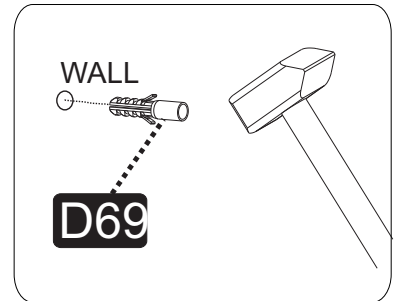
29



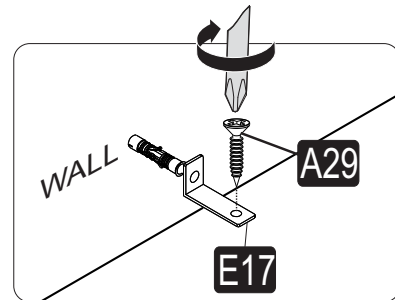
PART-1



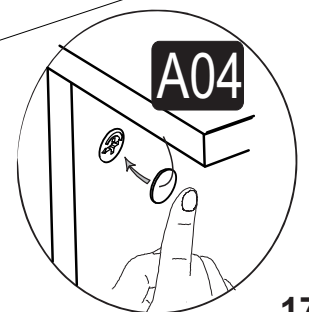
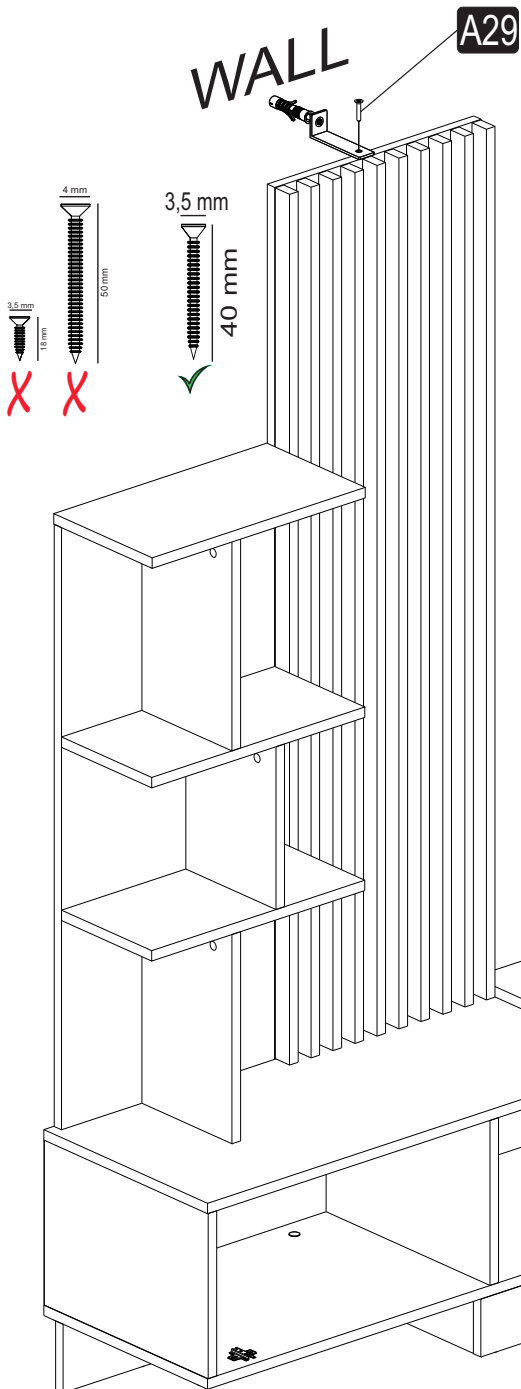
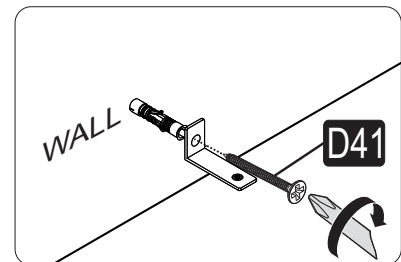
PART-2



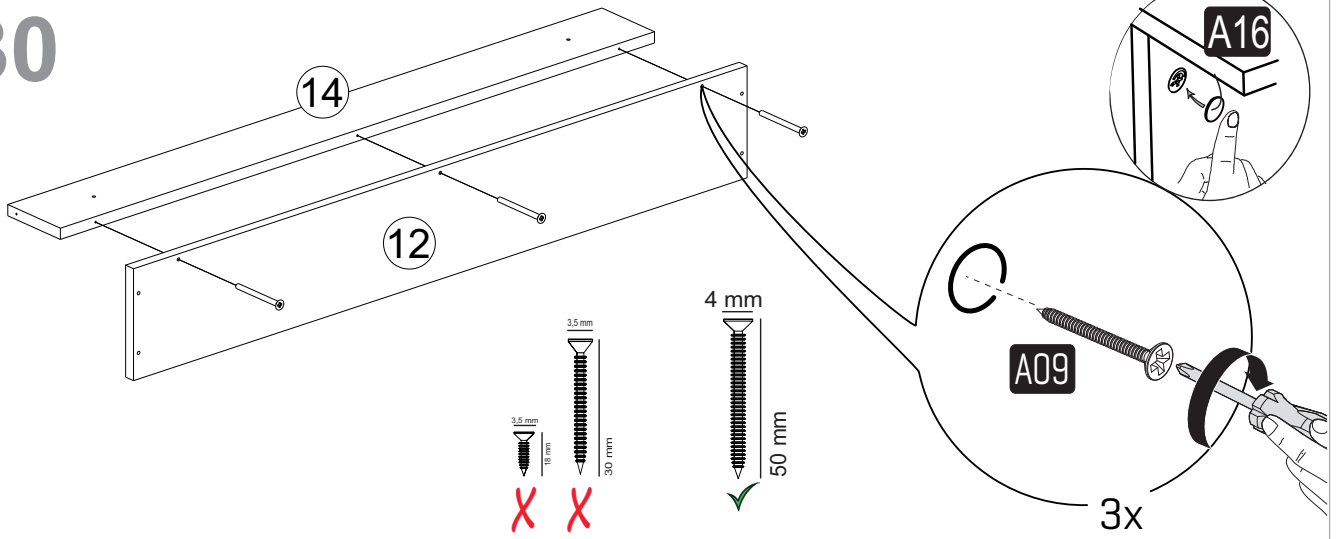
PART-3



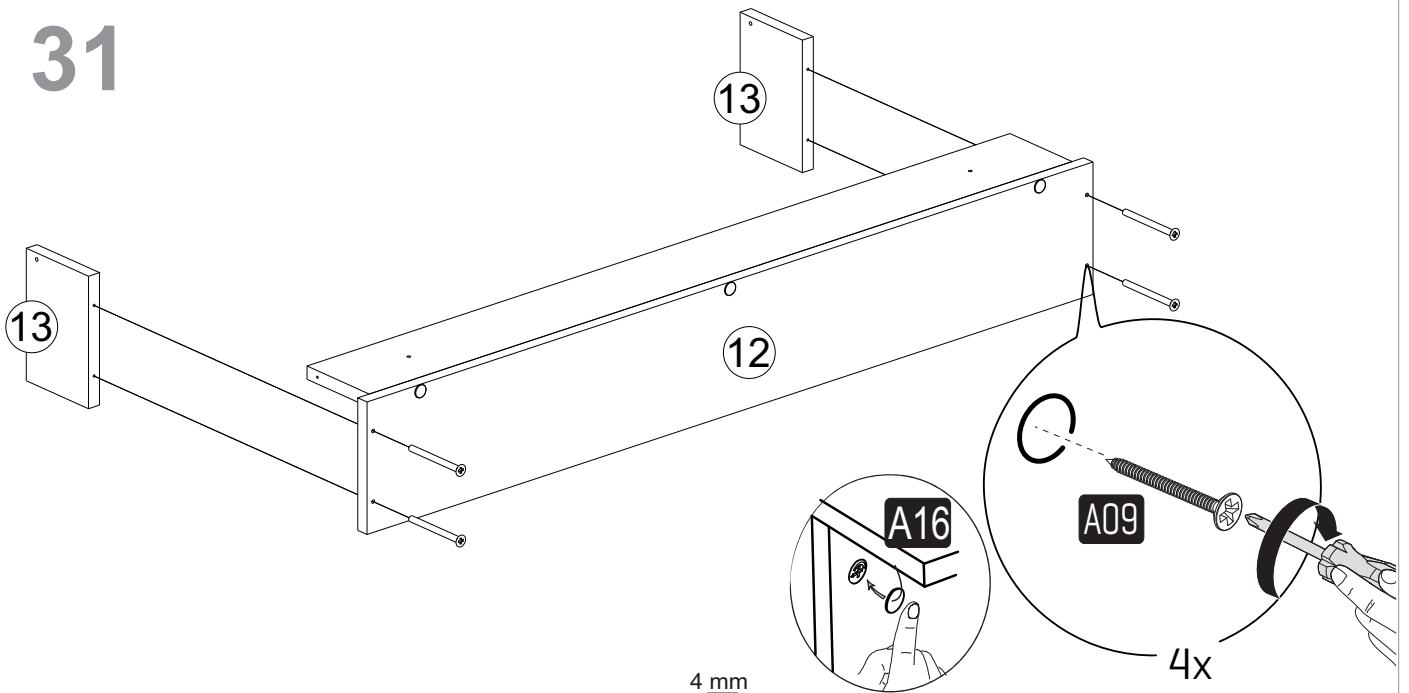
PART-4



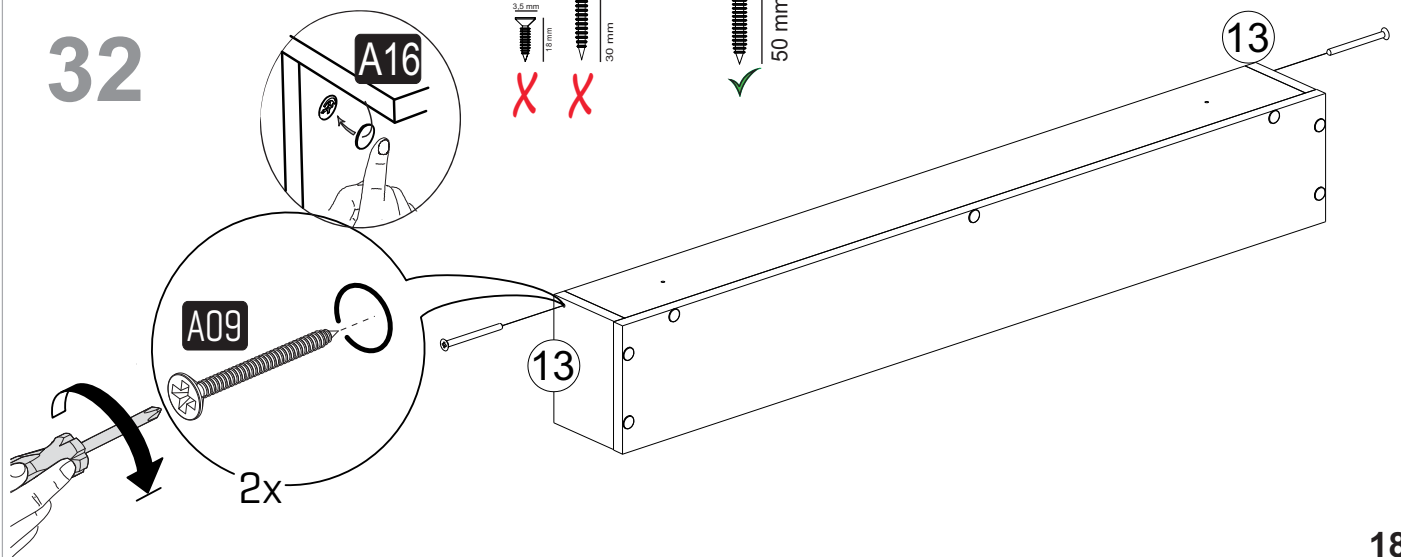
30



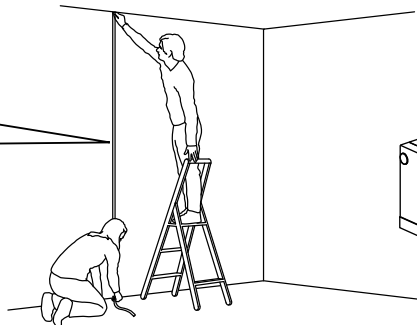
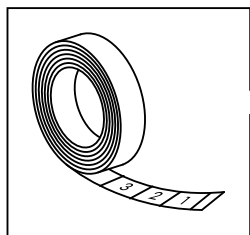
31



32

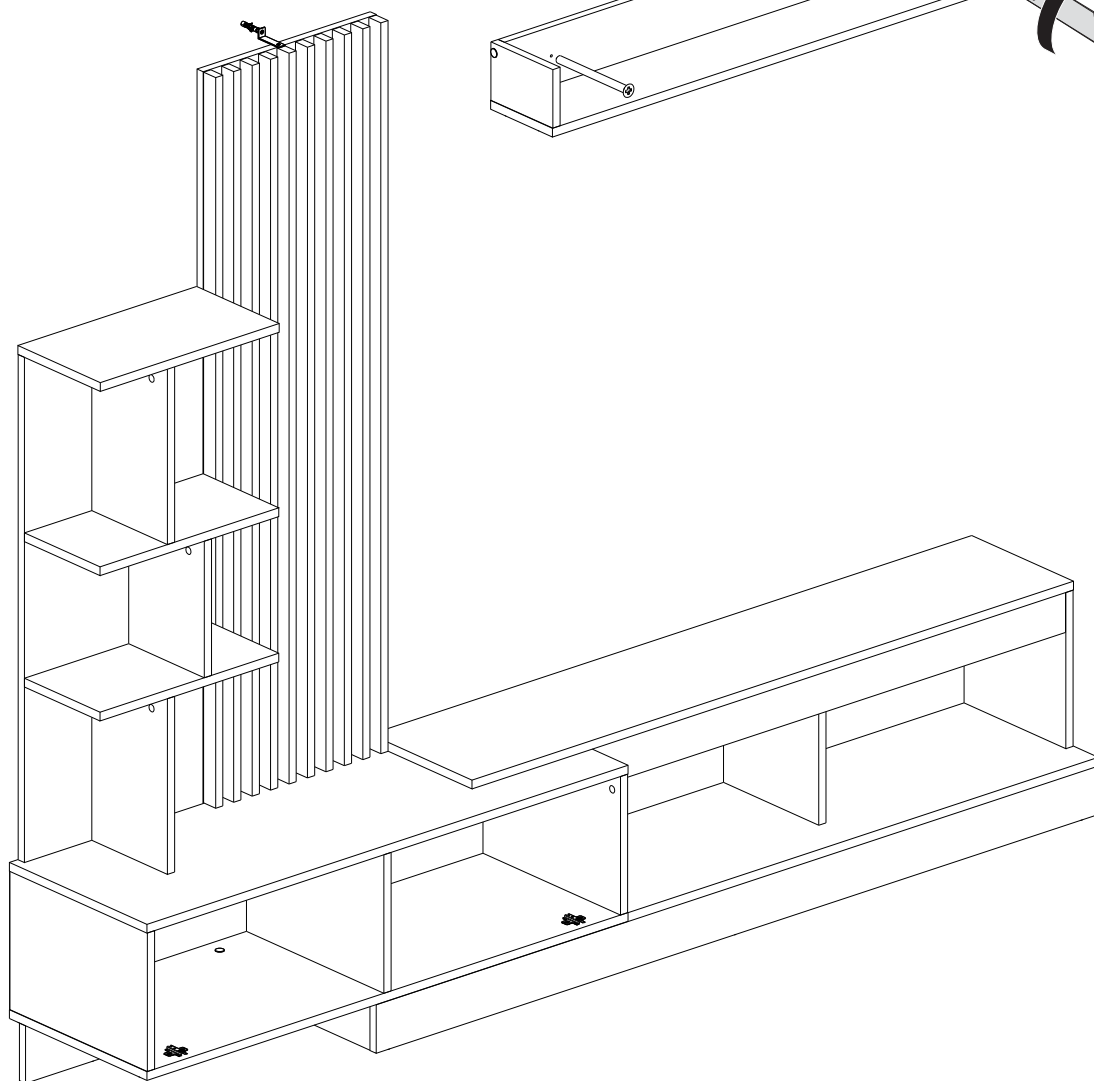
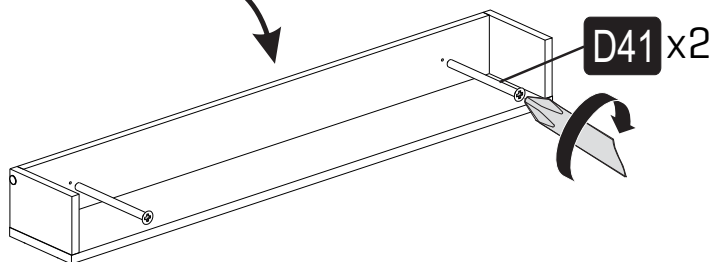
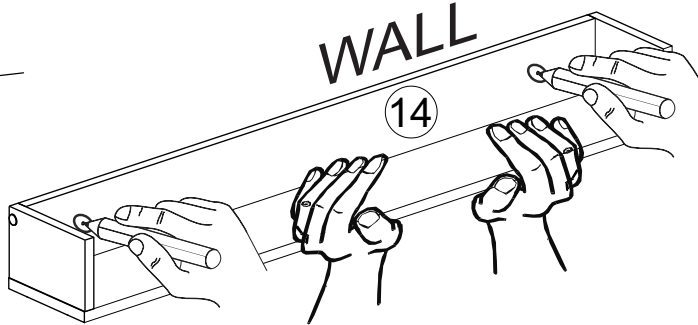


33

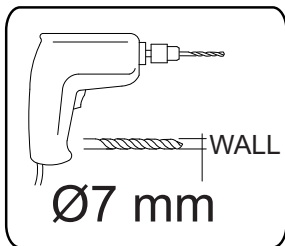


WALL

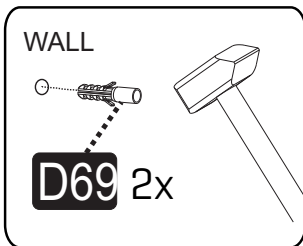
14



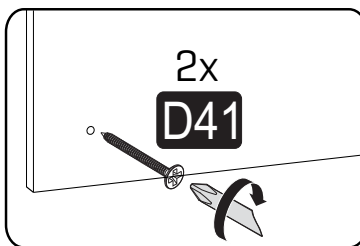
PART-1



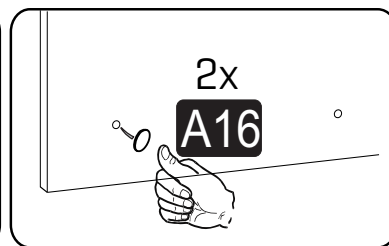
PART-2



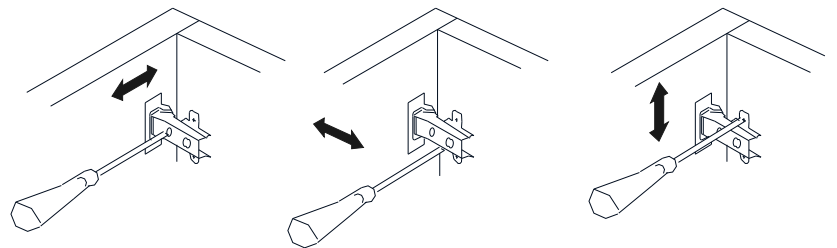
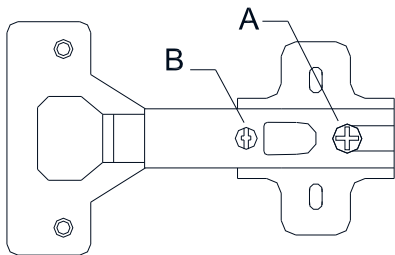
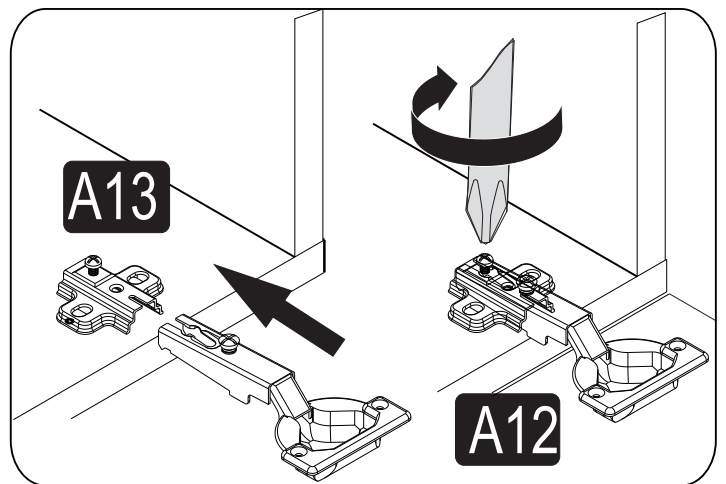
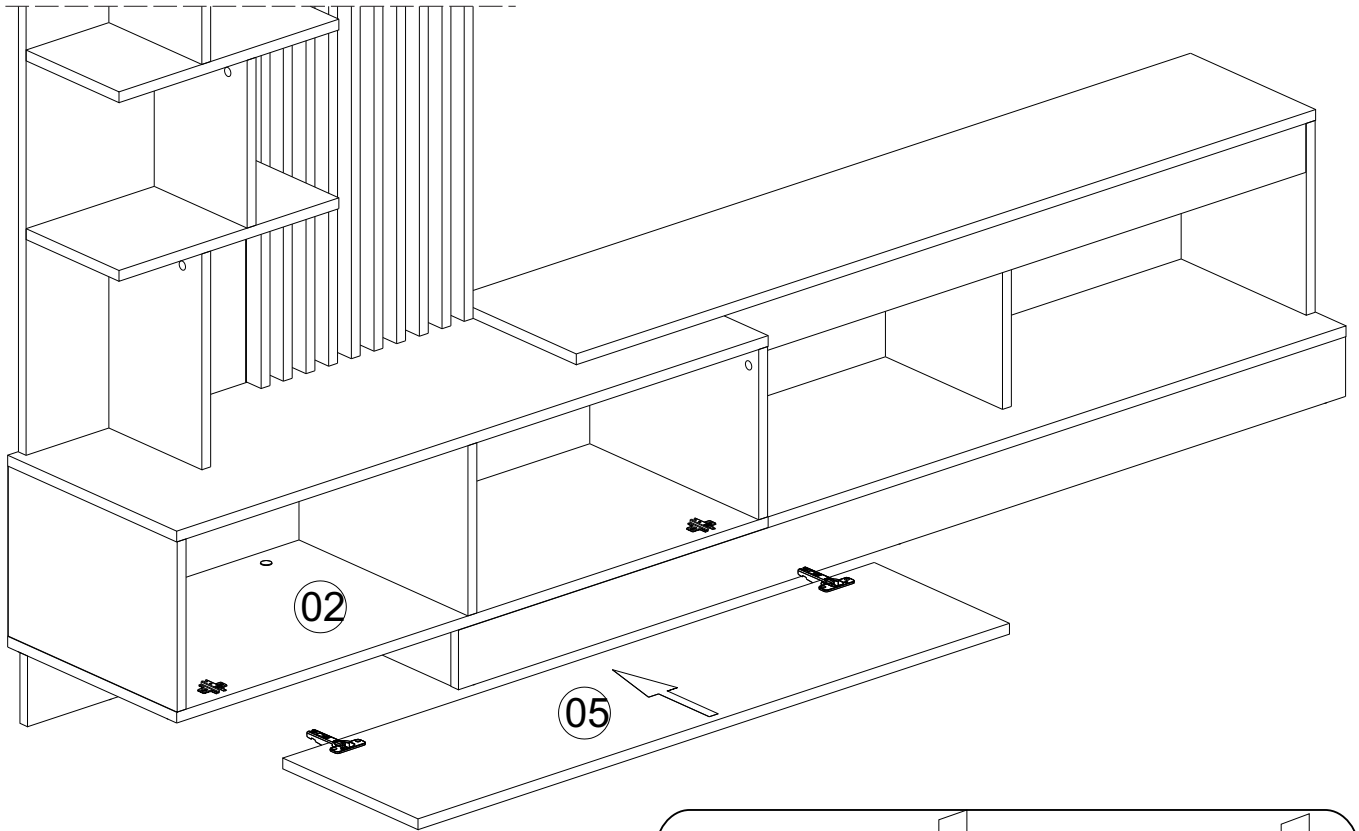
PART-3



PART-4



34



A= to connect the hinge to the door
 B= to arrange the door

arrows to show the directions for arrangement of doors.