

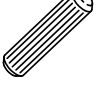

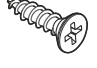


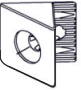
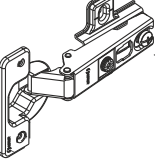


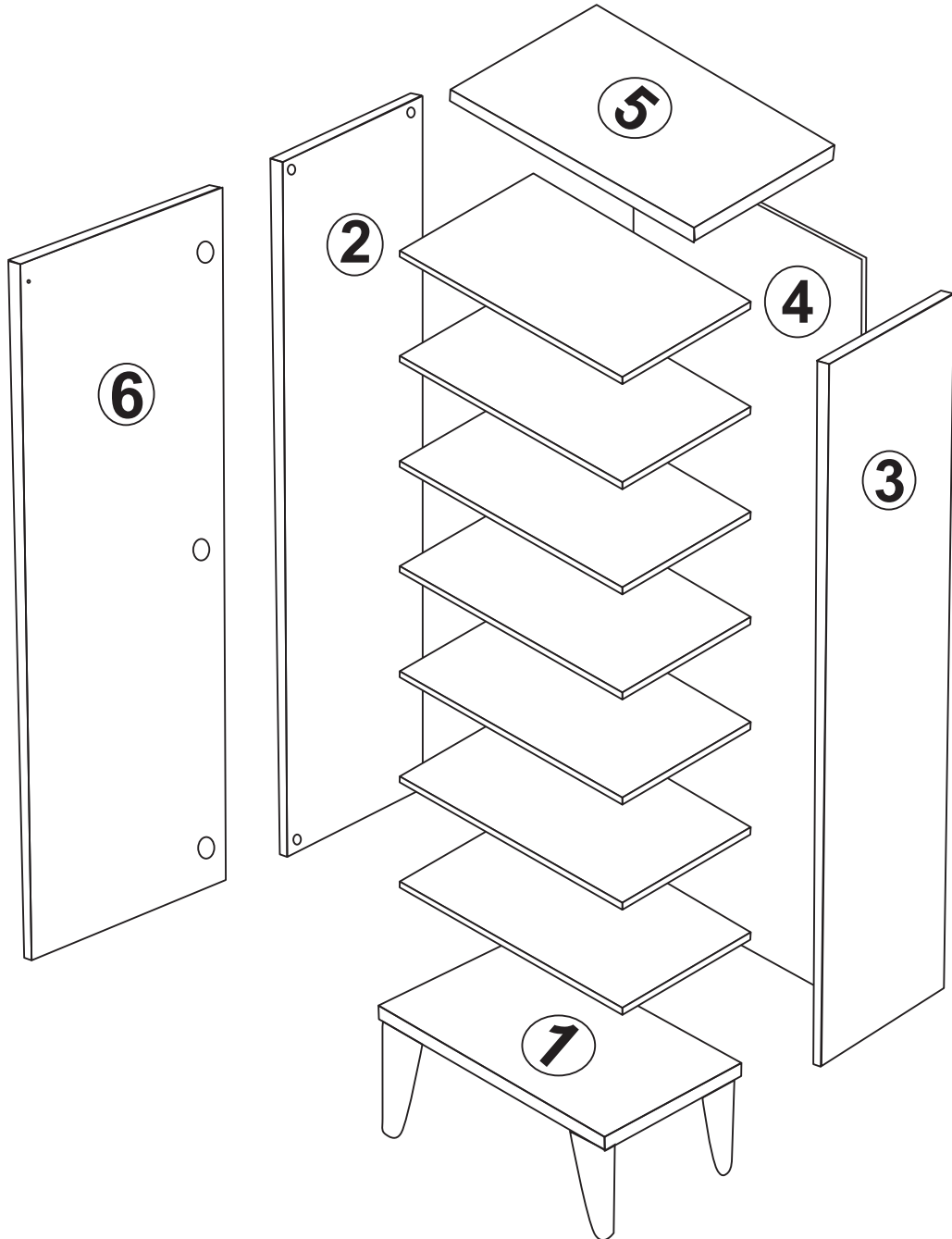
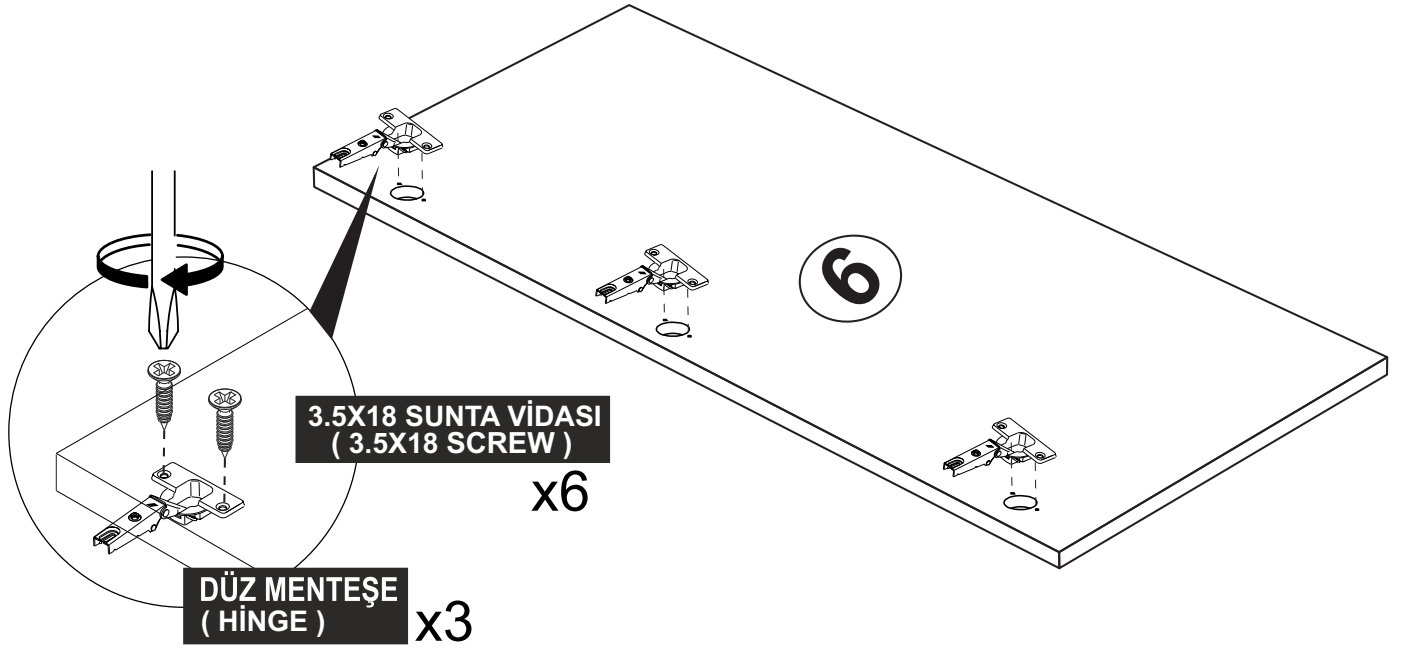
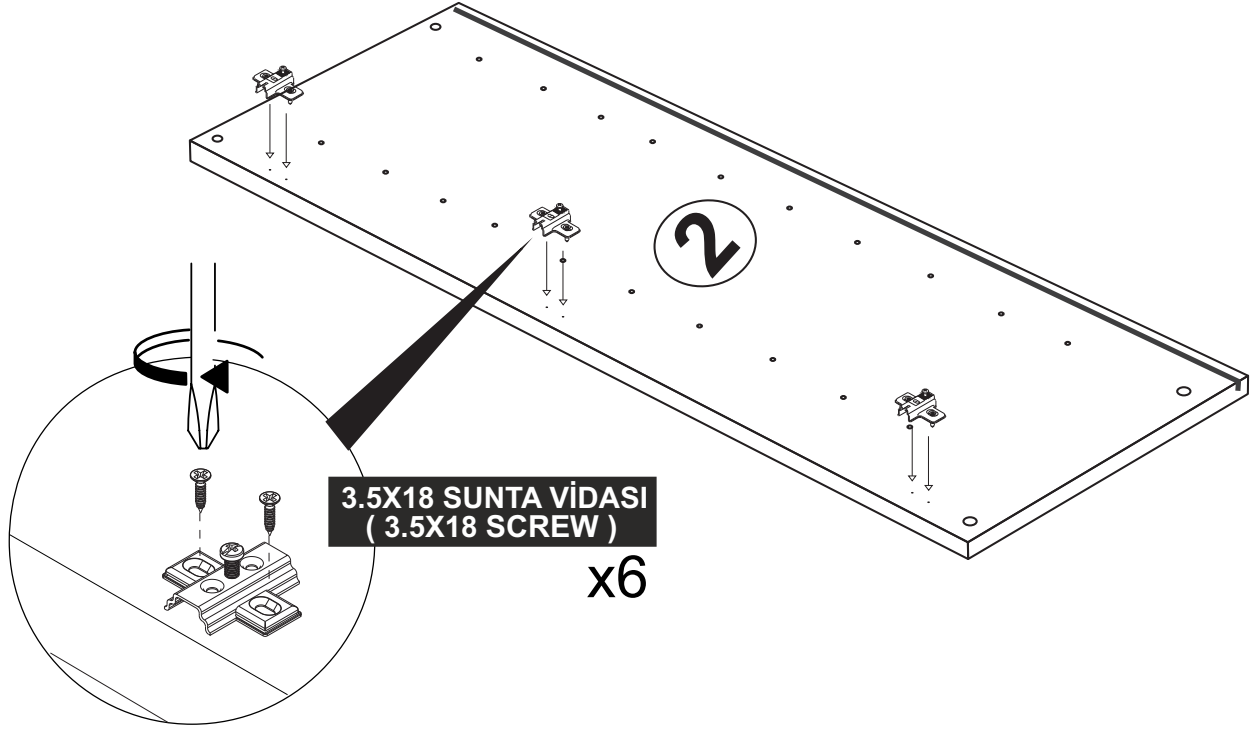


i GP052-0001,3

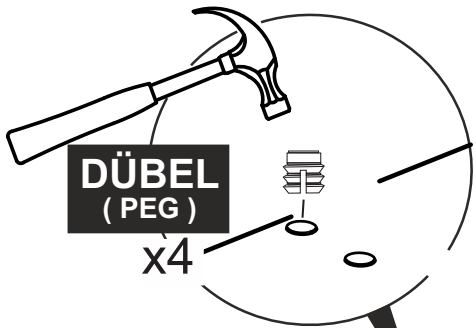
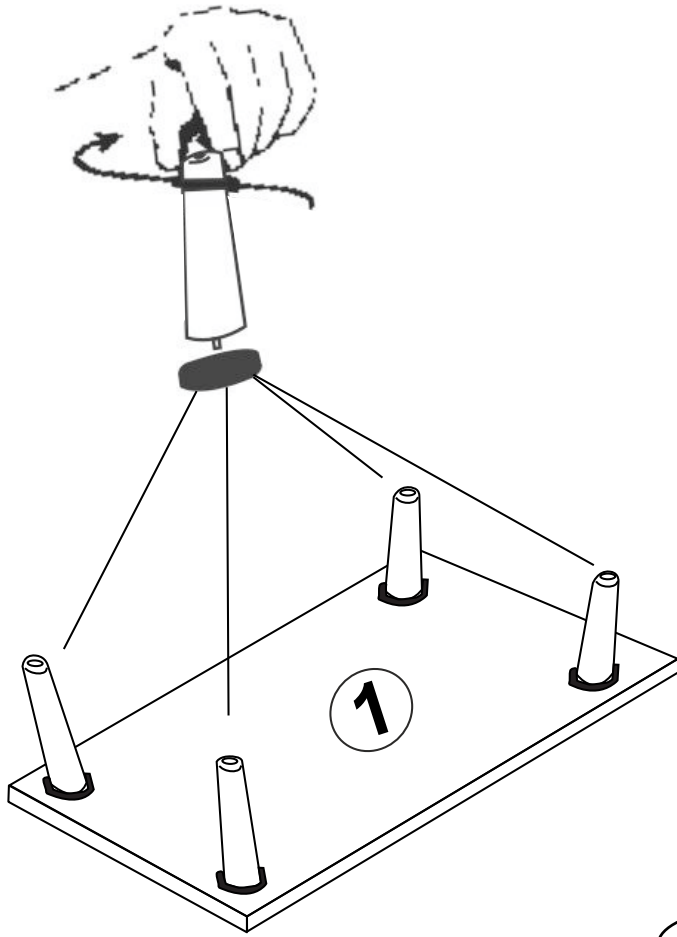


			
MINIFIX MİLİ x 8 (MINIFIX SHAFT)	MINIFIX GÖVDE x 8 (MINIFIX BODY)	KAVELA : x 8 (DOWEL)	DÜBEL X 8 (PEG)
			
3,5x18 SUNTA VİDASI x 20	AĞSAP AYAK x4 (FURNITURE LEG)	RAF PİMİ x 28 (PLASTIC PIN)	ARKALIK KÖŞE x 8 (CORNER WEDGE)
			
DÜZ MENTEŞE x 3 (HINGE)	KULP VİDASI x 1 (HOLDER SCREW)	KULP x 1 (HOLDER)	



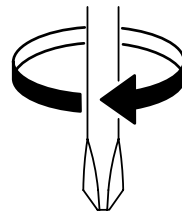


4



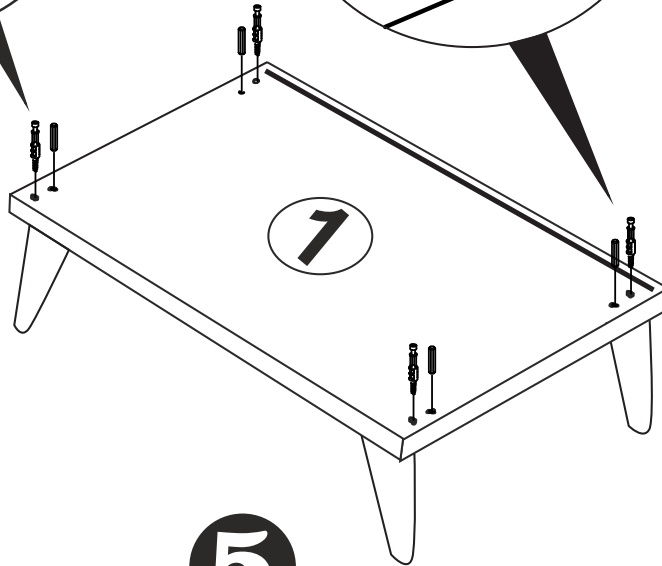
KAVELA
(DOWEL)

x4

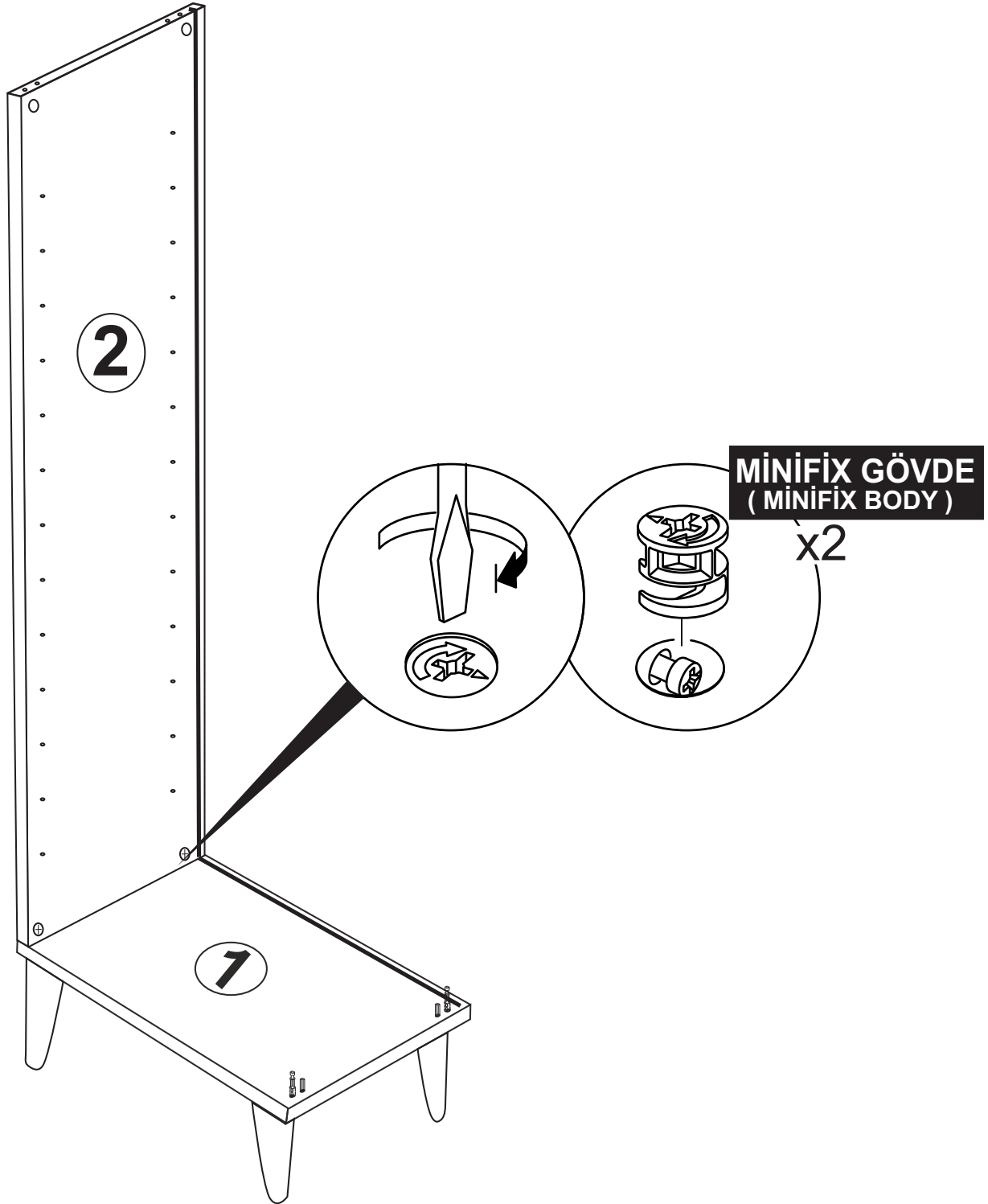


MINİFİX MİL
(MINİFİX SHAFT)

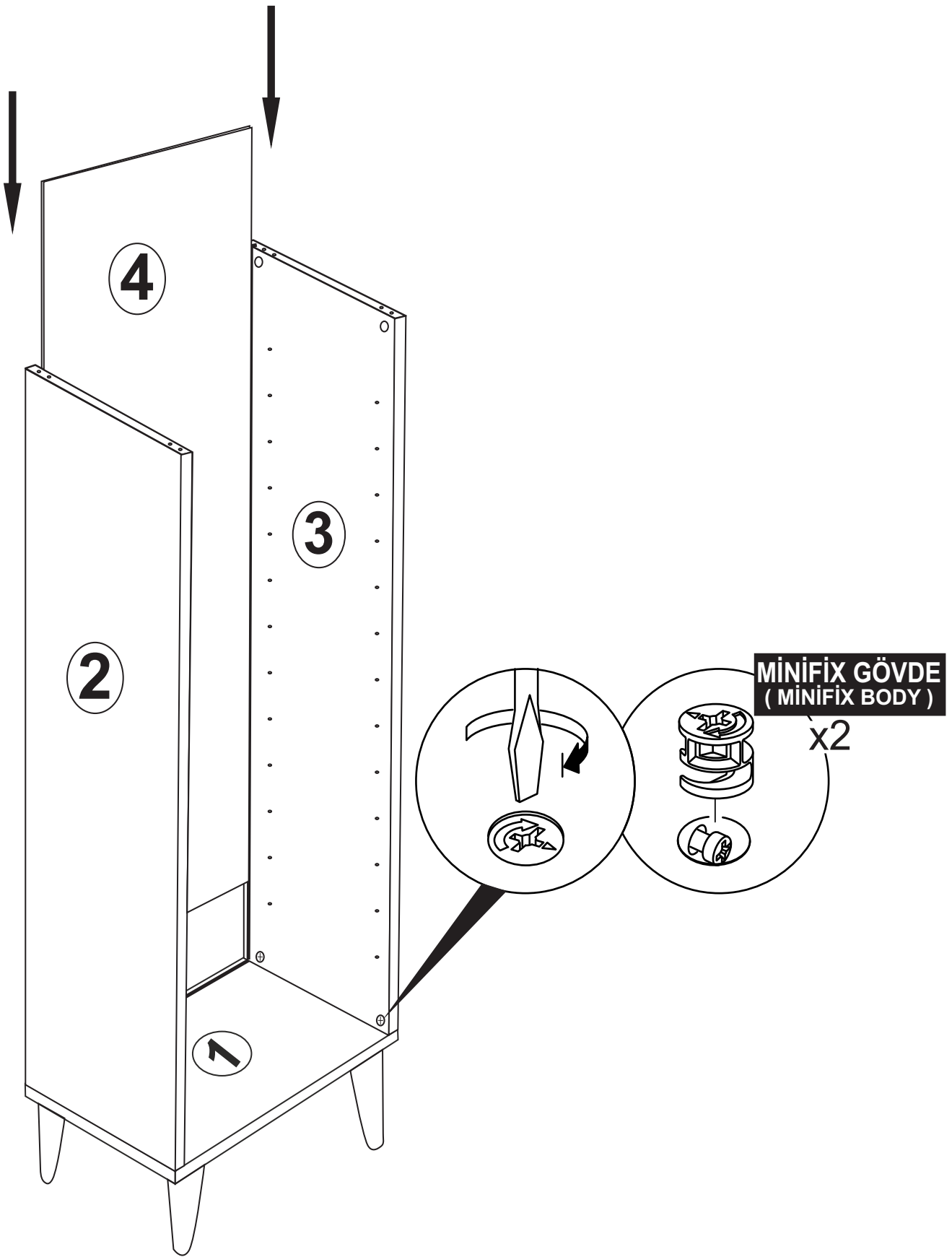
x4



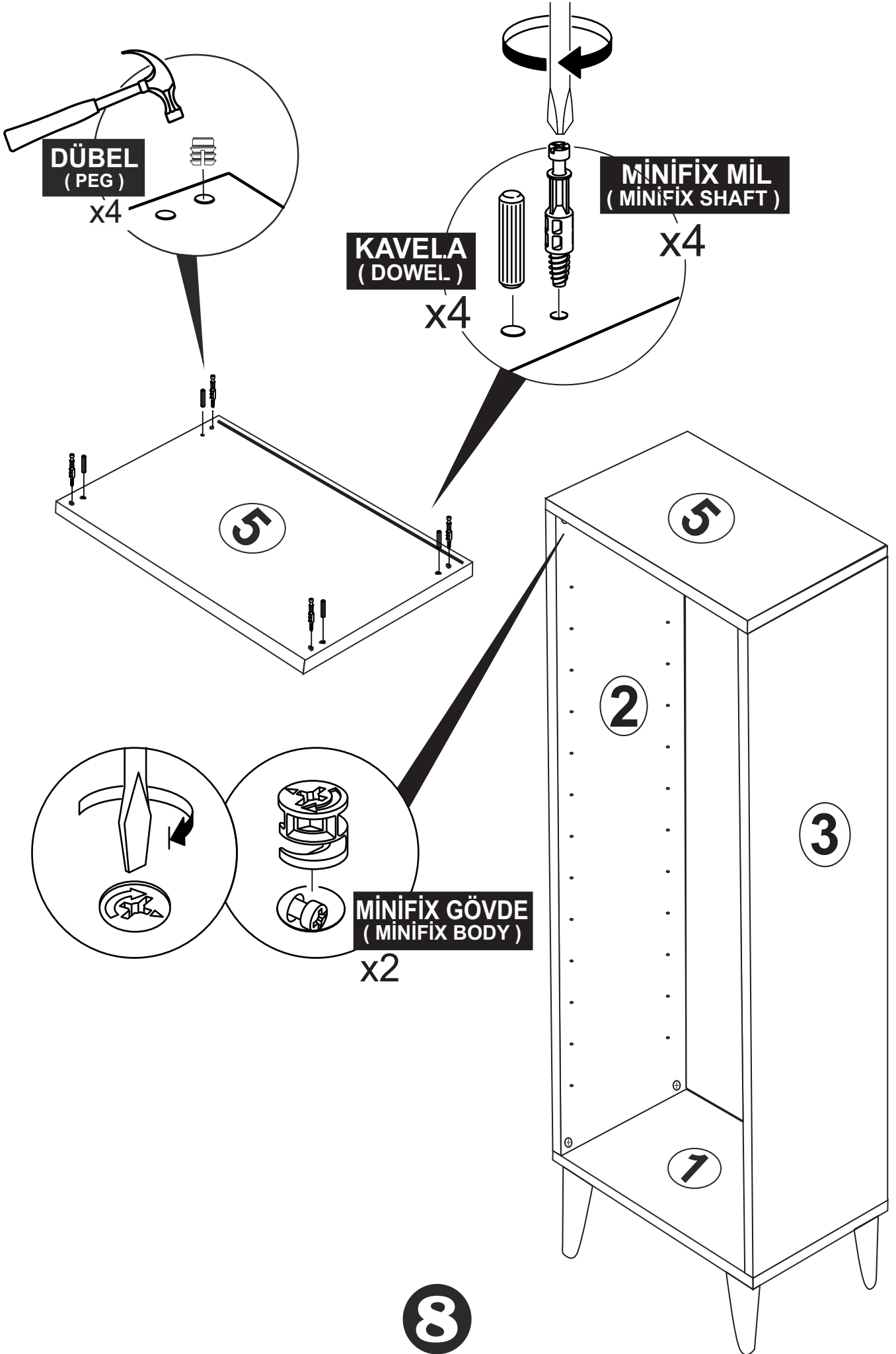
5

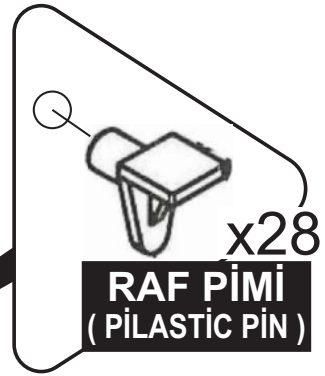
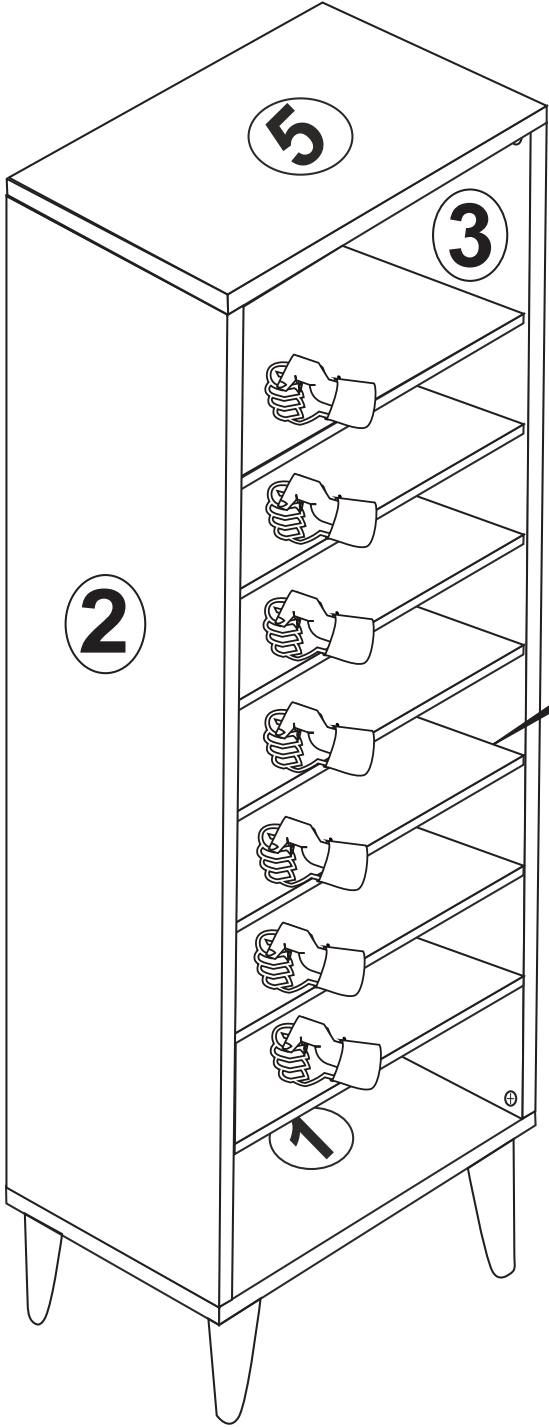


6

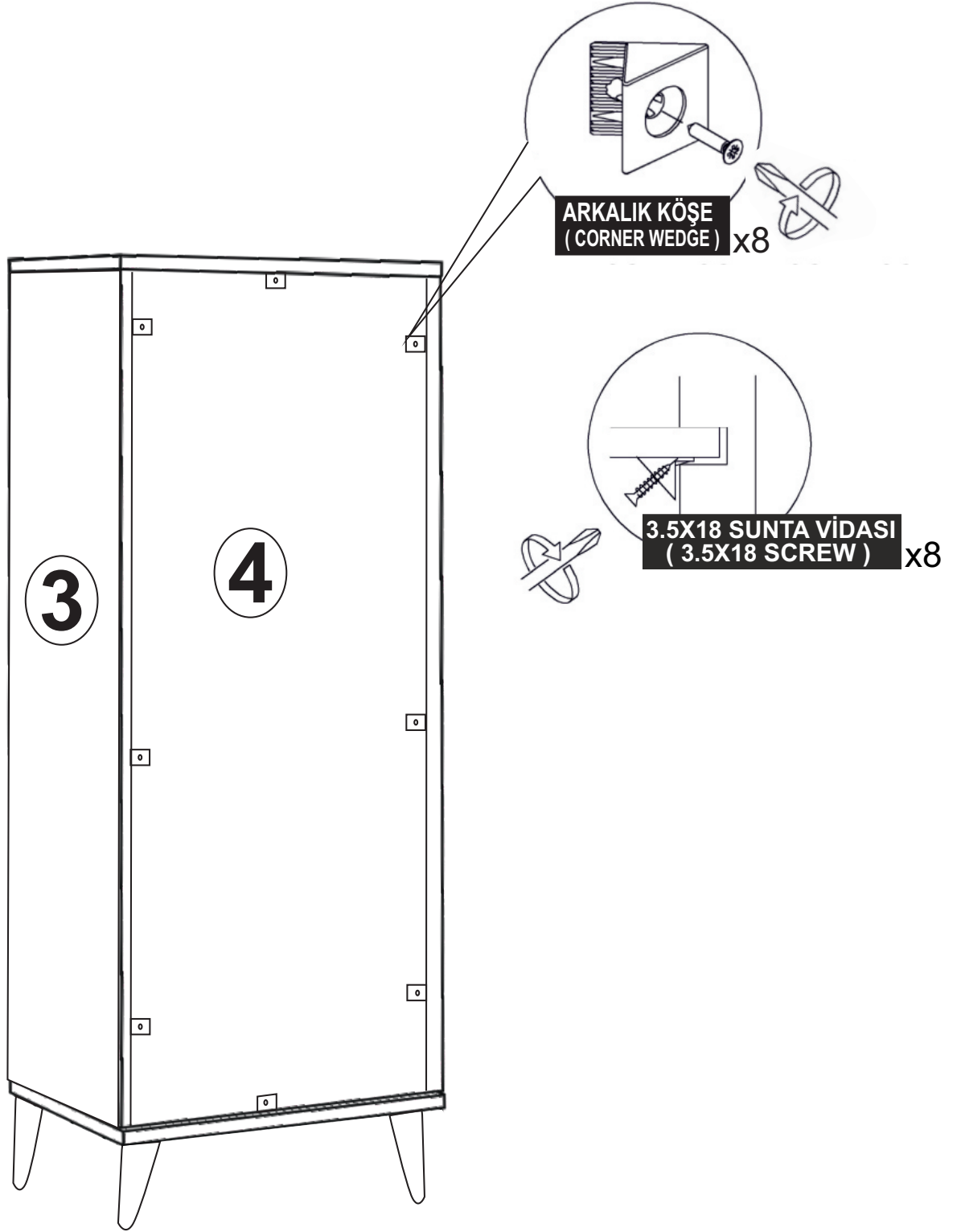


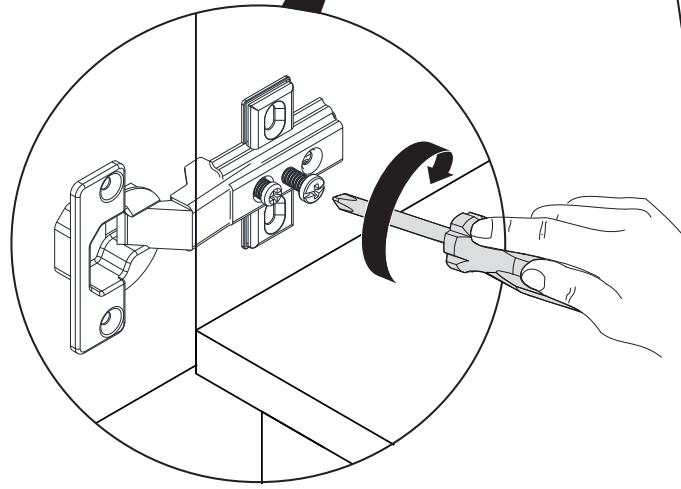
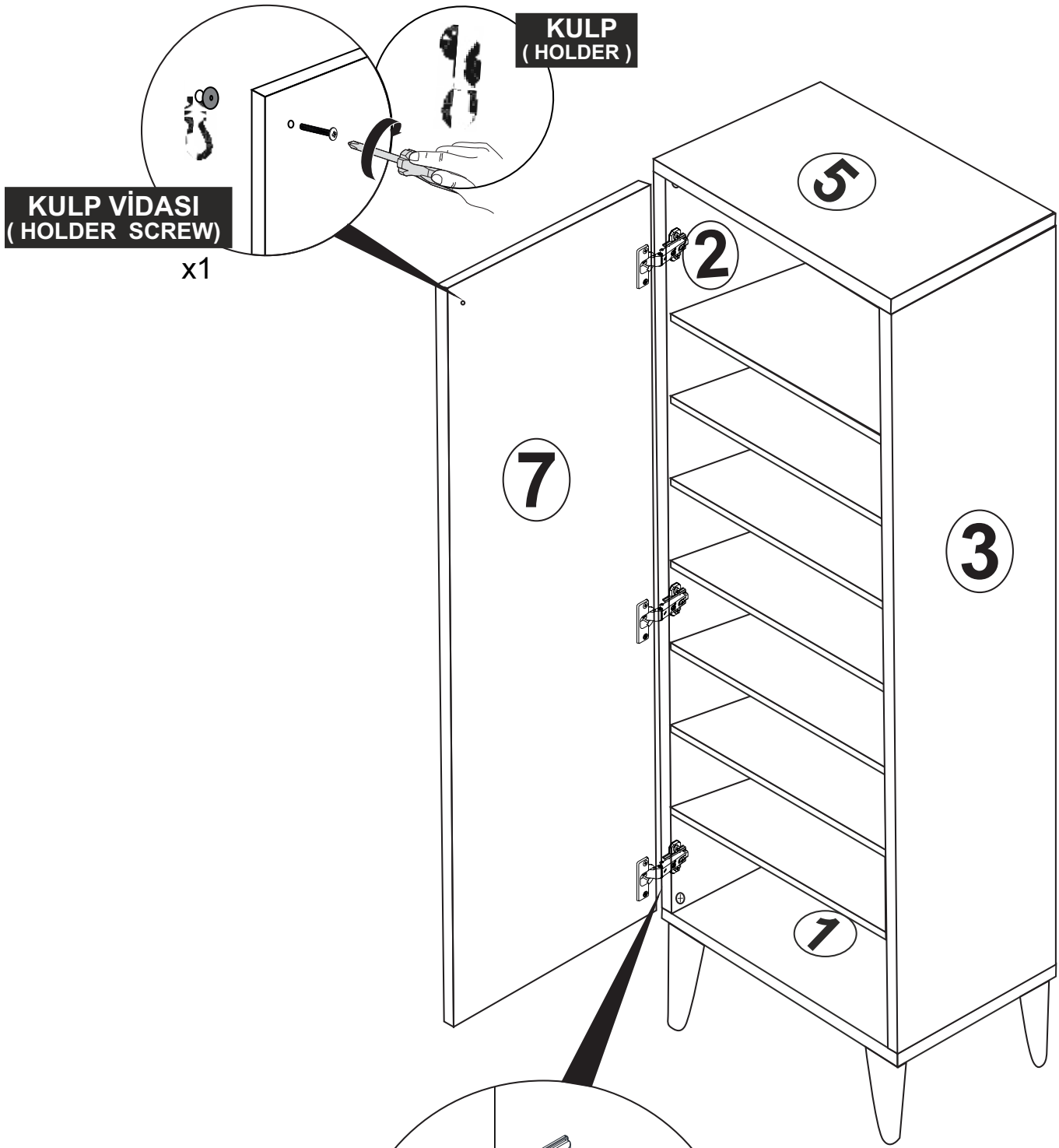
7



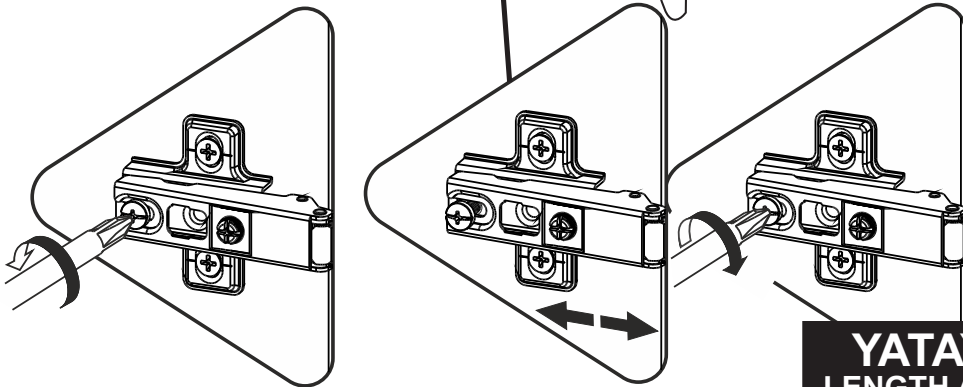
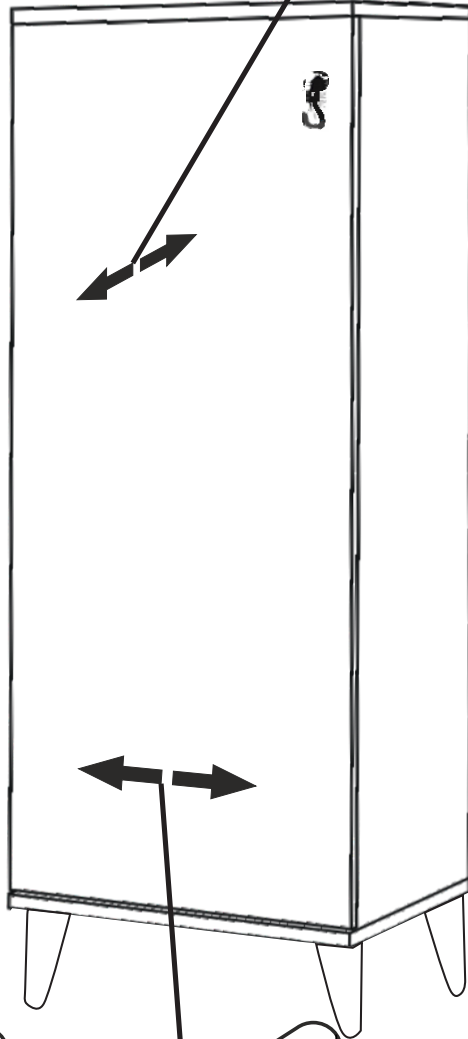
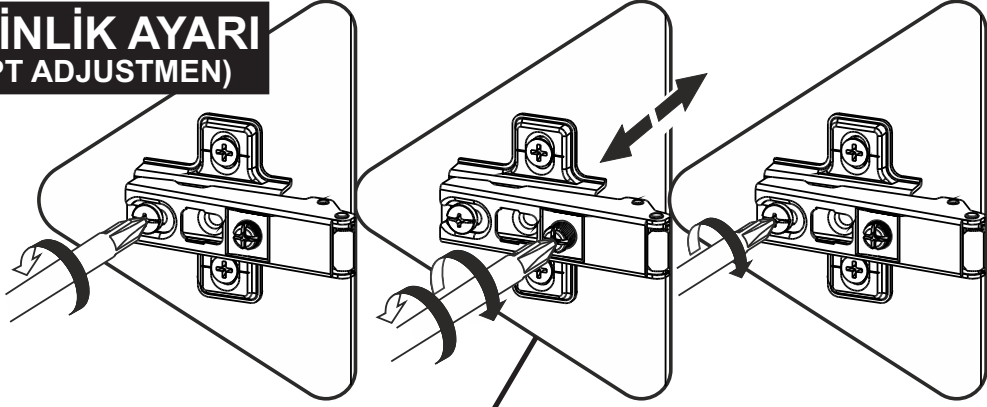


Not : Seyyar Rafları
Çapraz Yerleştirin.
(Place Horizontal On The
Movable Shelves.)





DERİNLİK AYARI
(DEPT ADJUSTMEN)



YATAY AYARI
(LENGTH ADJUSTMEN)