

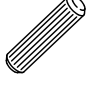

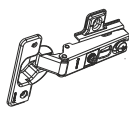




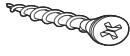

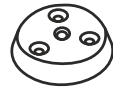

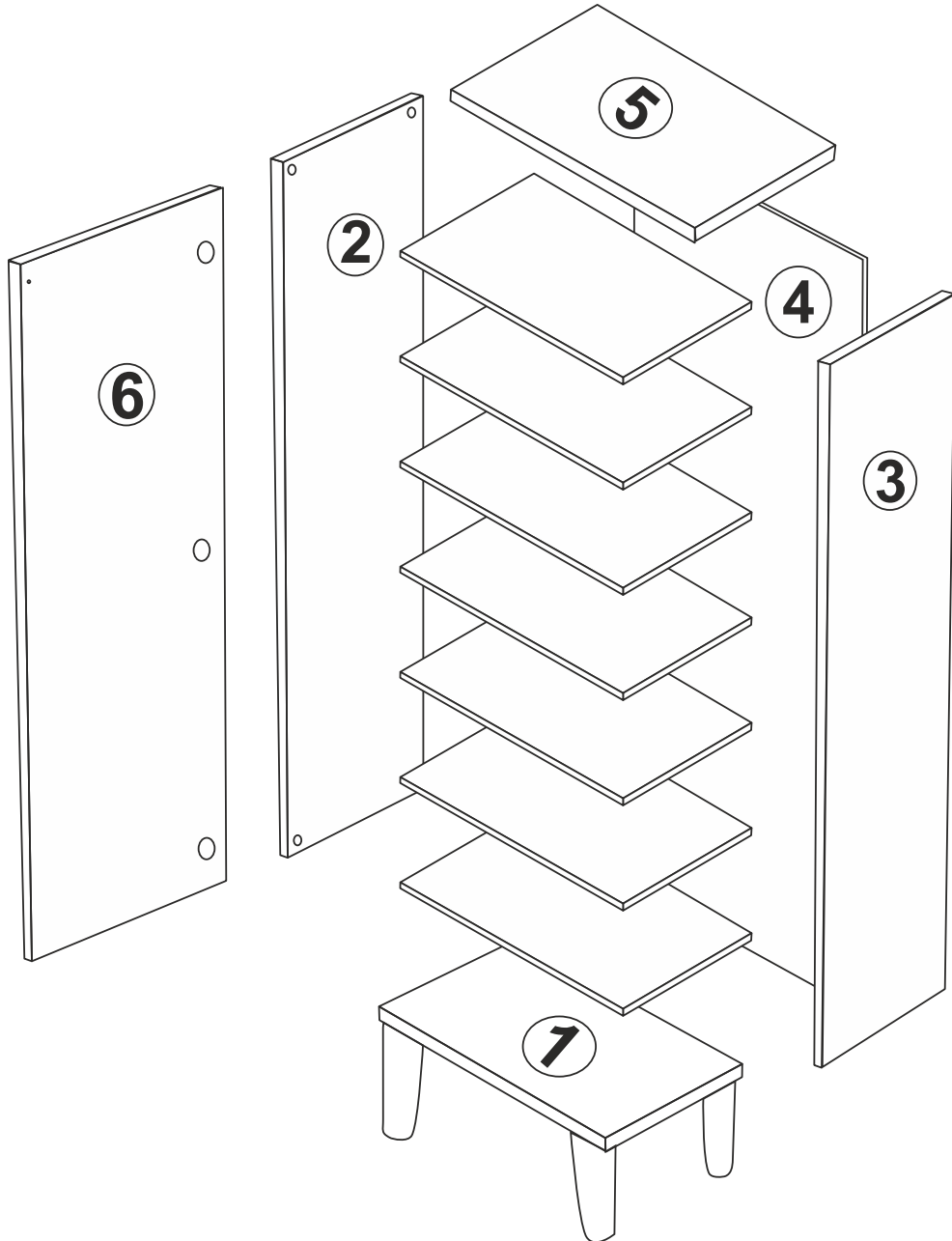


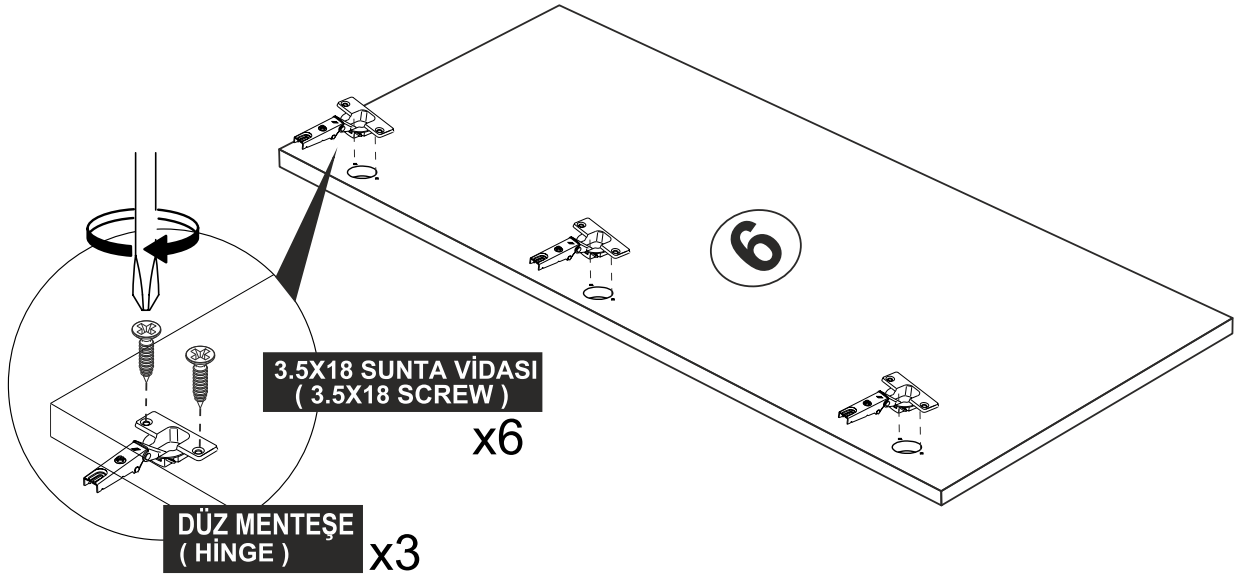
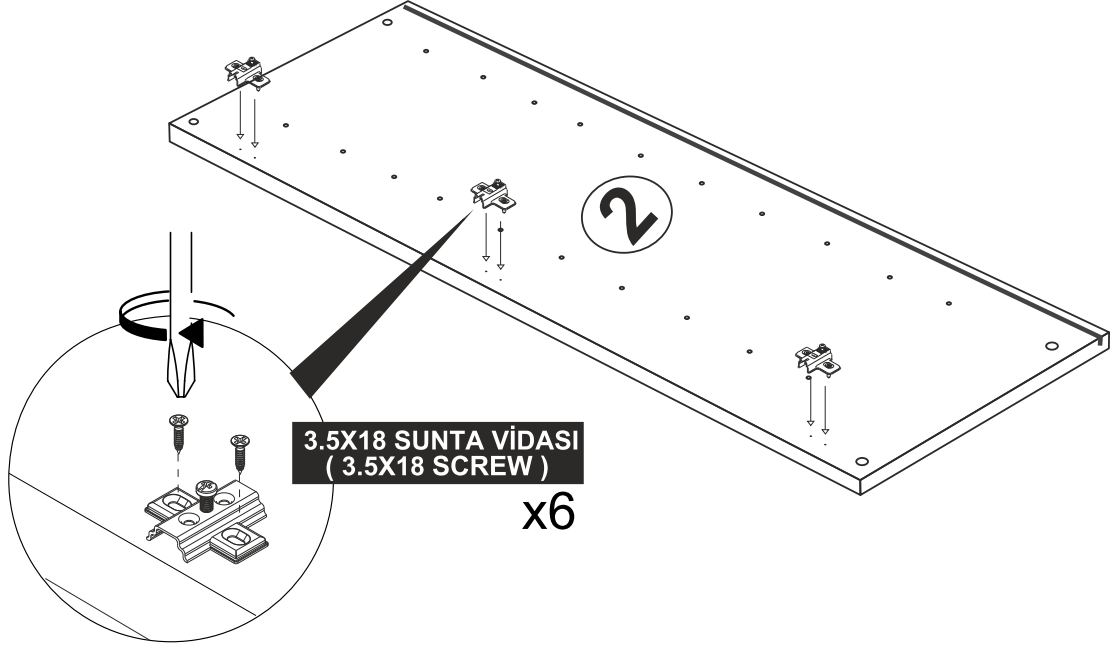
i GP052-0006,1



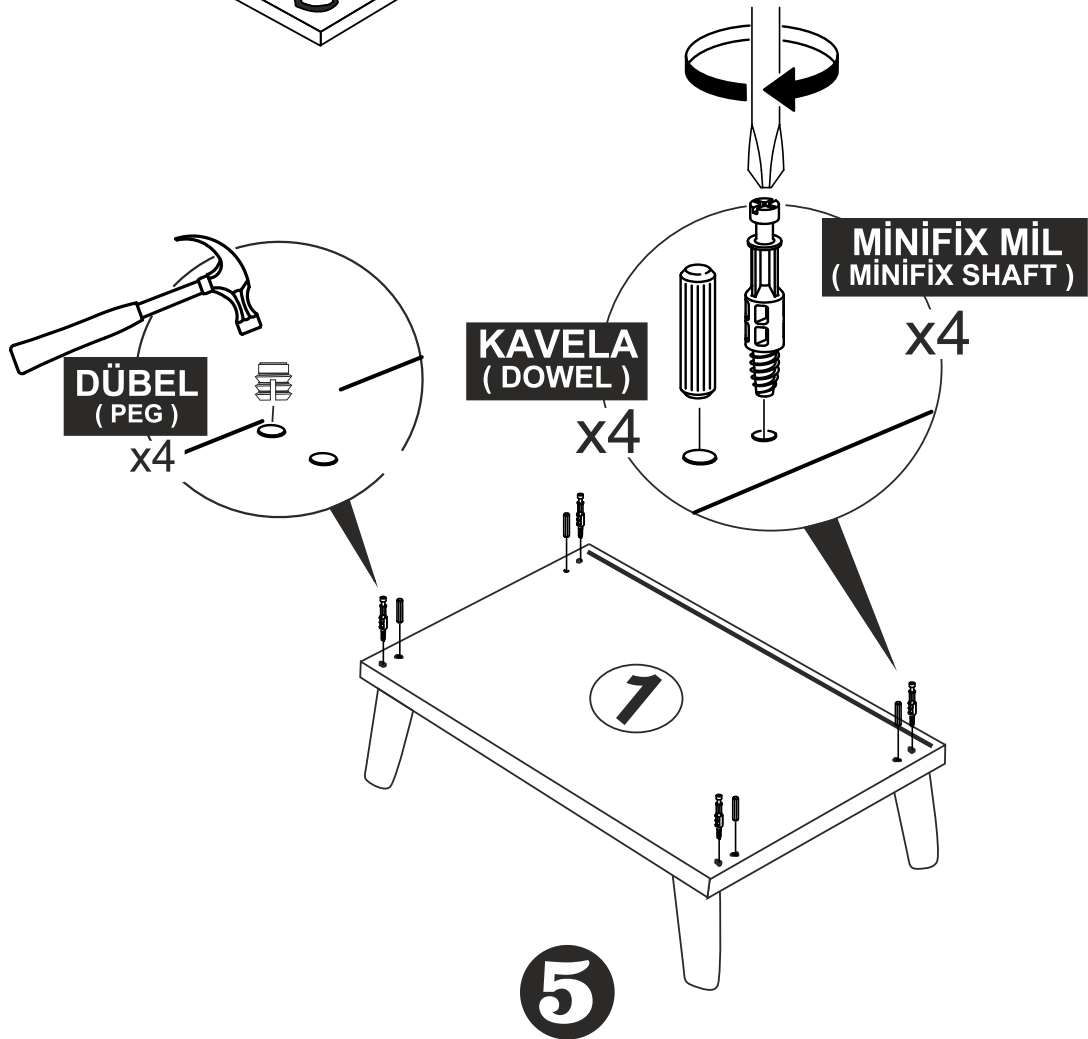
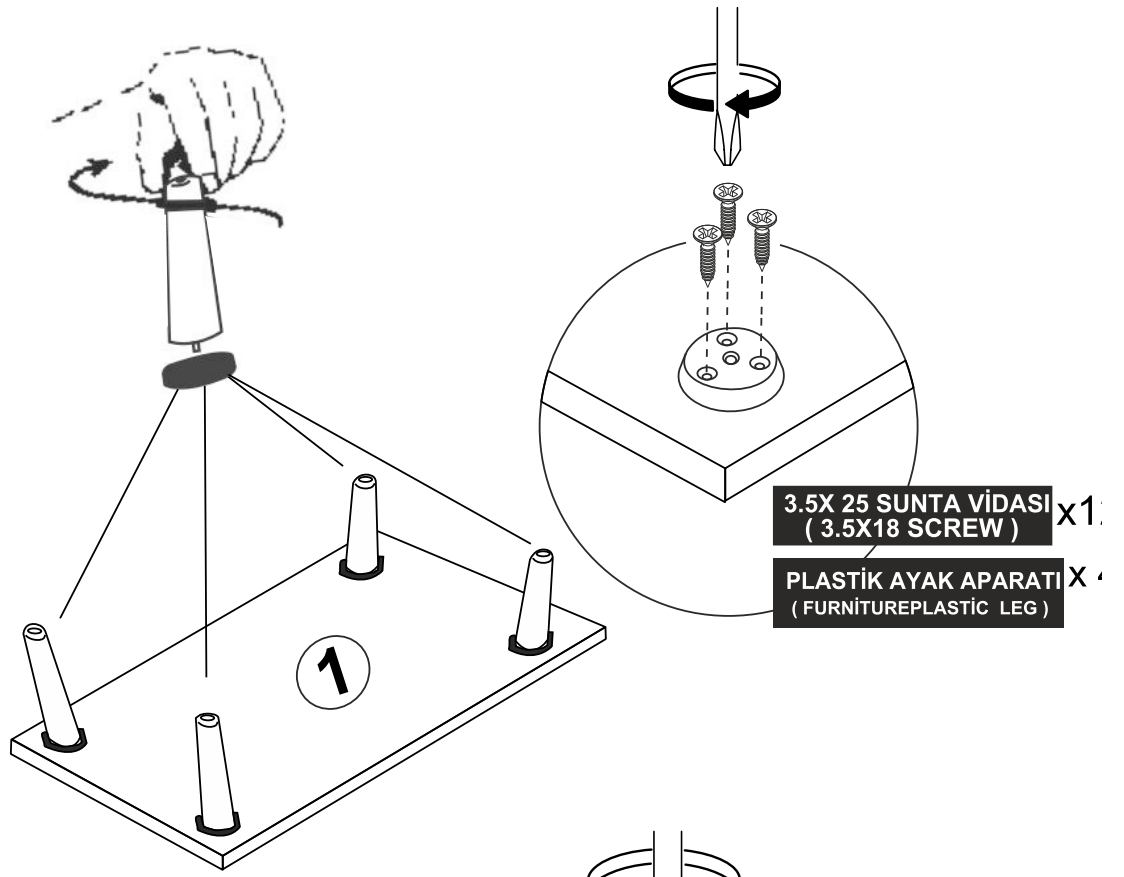
50 x 38 x 135cm

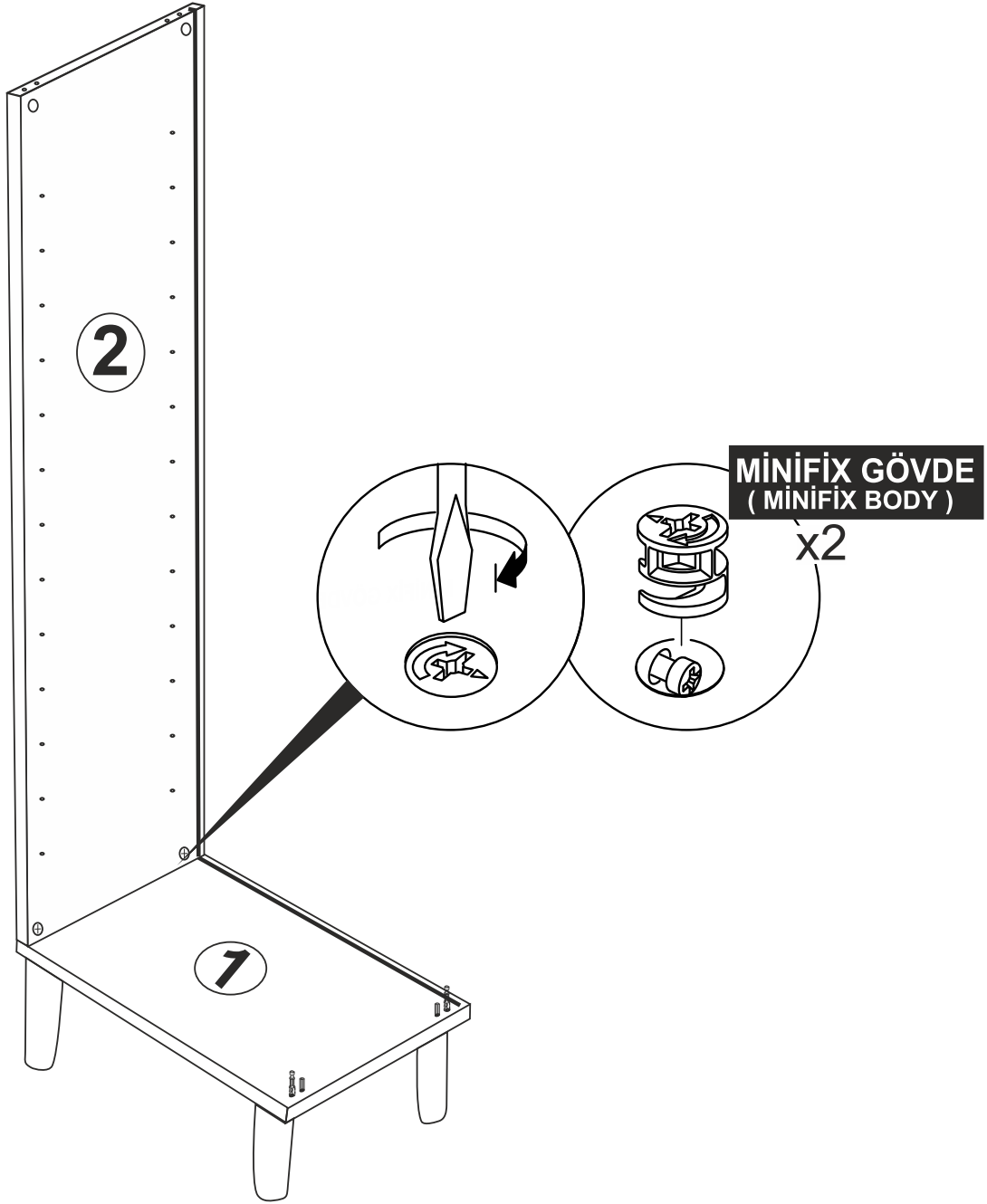
| | | | |
|---|---|---|---|
|  |  |  |  |
| MİNİFİX MILİ x 8 (MINİFİX SHAFT) | MİNİFİX GÖVDE x 8 (MINİFİX BODY) | KAVELA : x 8 (DOWEL) | DÜBEL X 8 (PEG) |
|  |  |  |  |
| DÜZ MENTEŞE x 3 (HINGE) | SİLİNDİR AHSAP AYAK x 4 (FURNITURE LEG) | RAF PİMİ x 28 (PLASTIC PIN) | ARKALIK KÖŞE x 8 (CORNER WEDGE) |
|  |  |  |  |
| 3.5 X 18 SUNTA VİDASI x 20 (3.5x18 SCREW) | 3.5 X 40 SUNTA VİDASI x 1 (3.5x40 SCREW) | AHSAP KULP x 1 (HOLDER) | PLASTİK AYAK APARATI X 4 (FURNITURE PLASTIC LEG) |
|  | | | |
| 3.5 X 25 SUNTA VİDASI x 12 (3.5x18 SCREW) | | | |



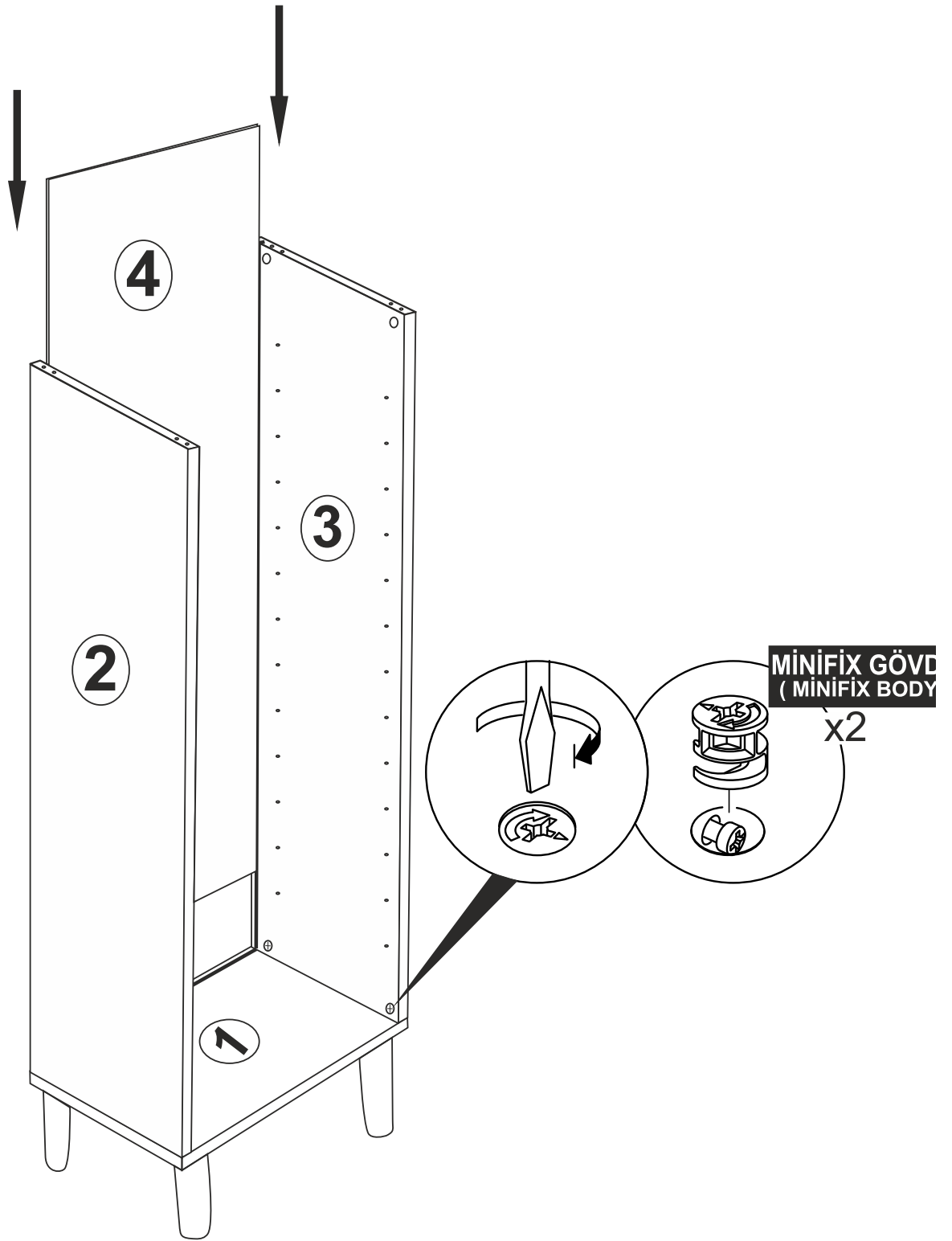


4

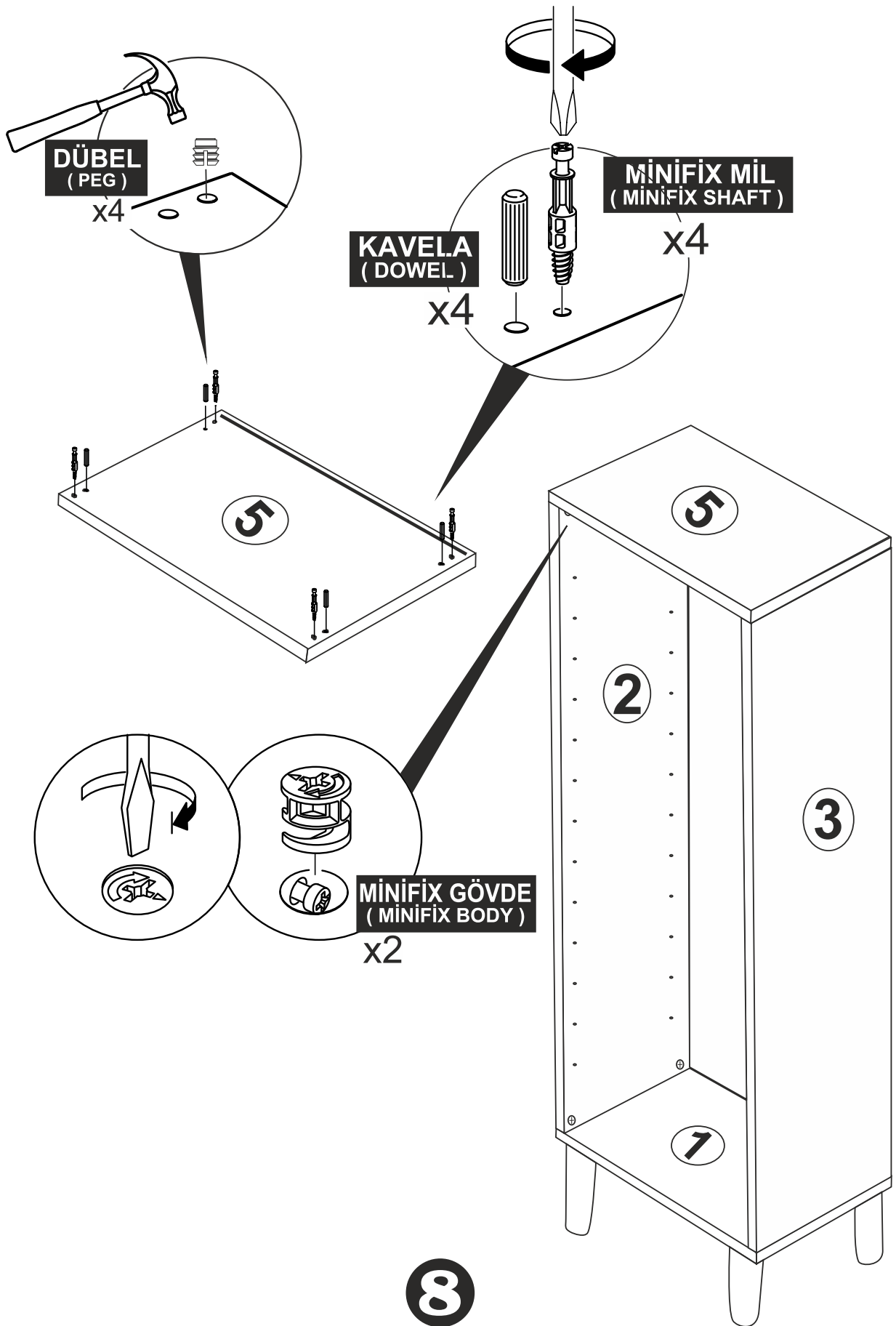


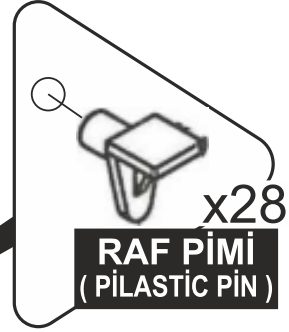
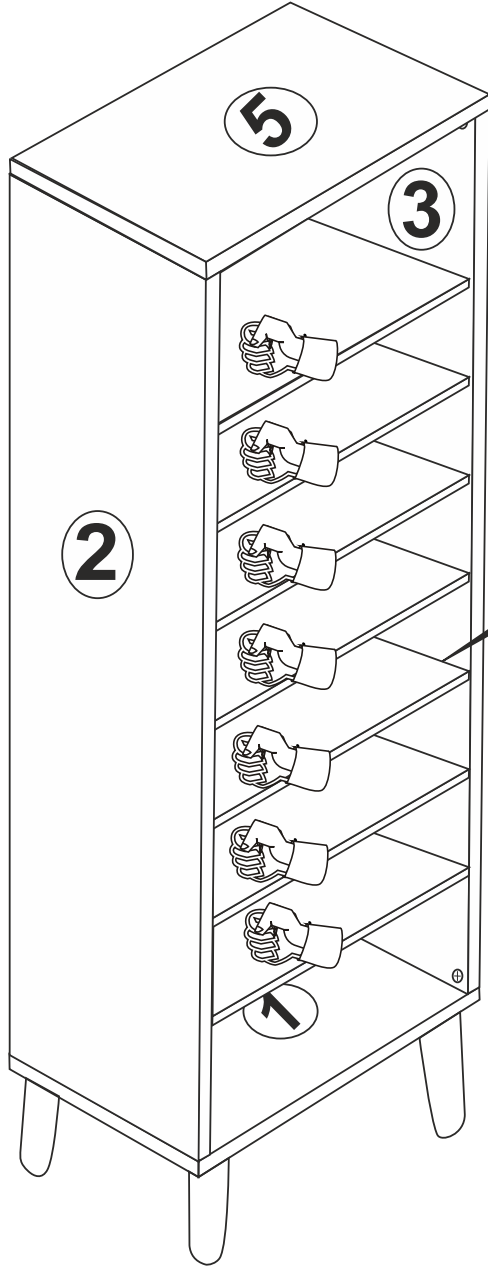


6



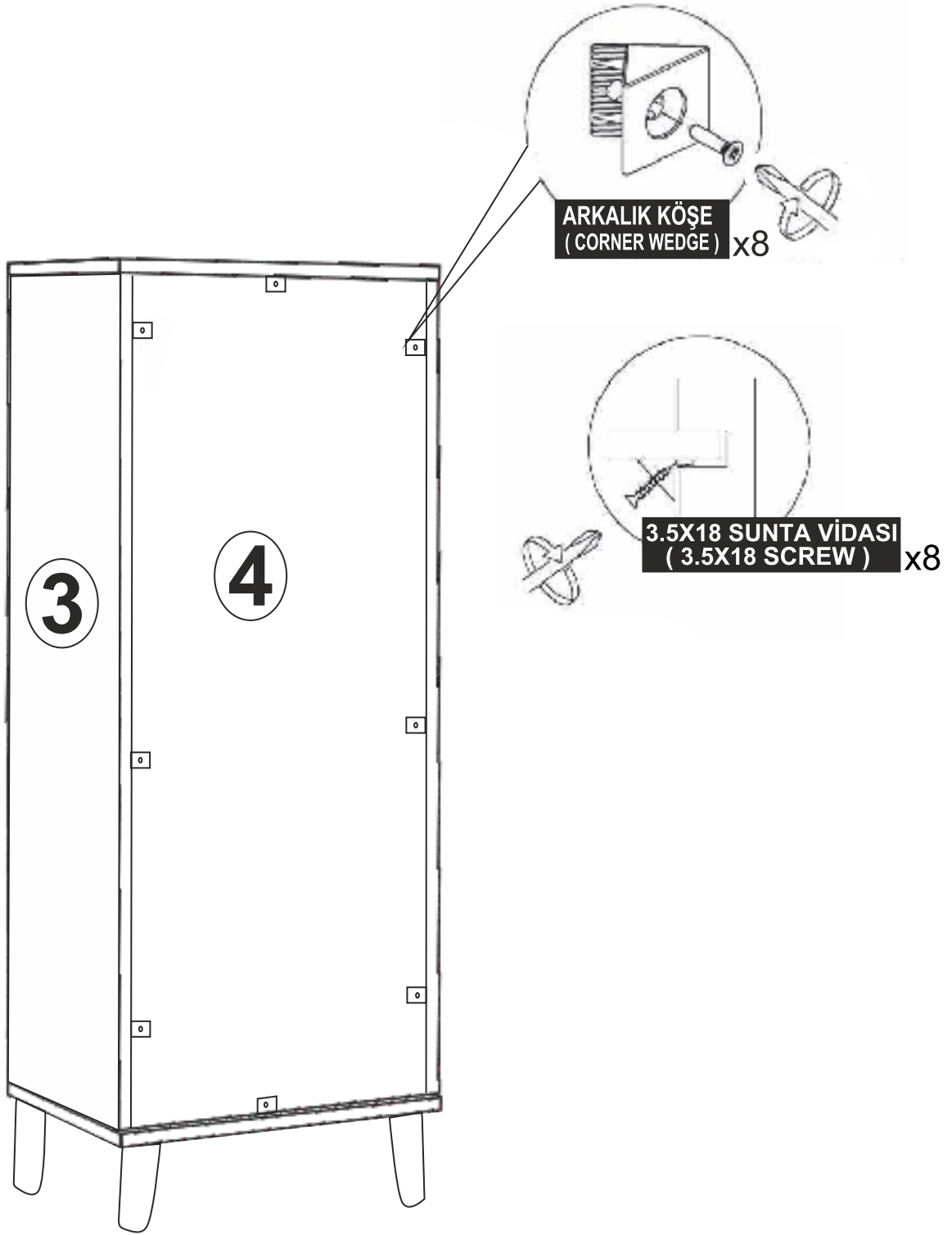
7

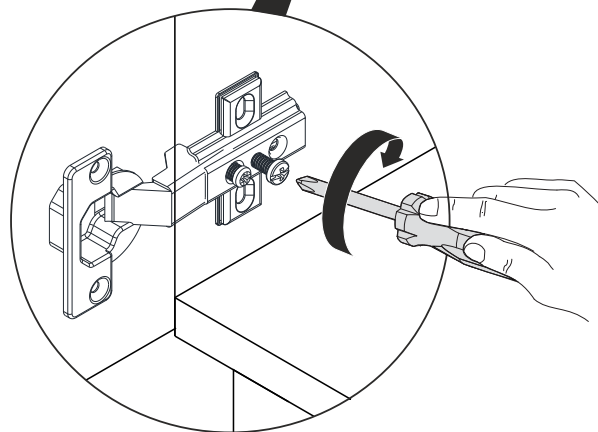
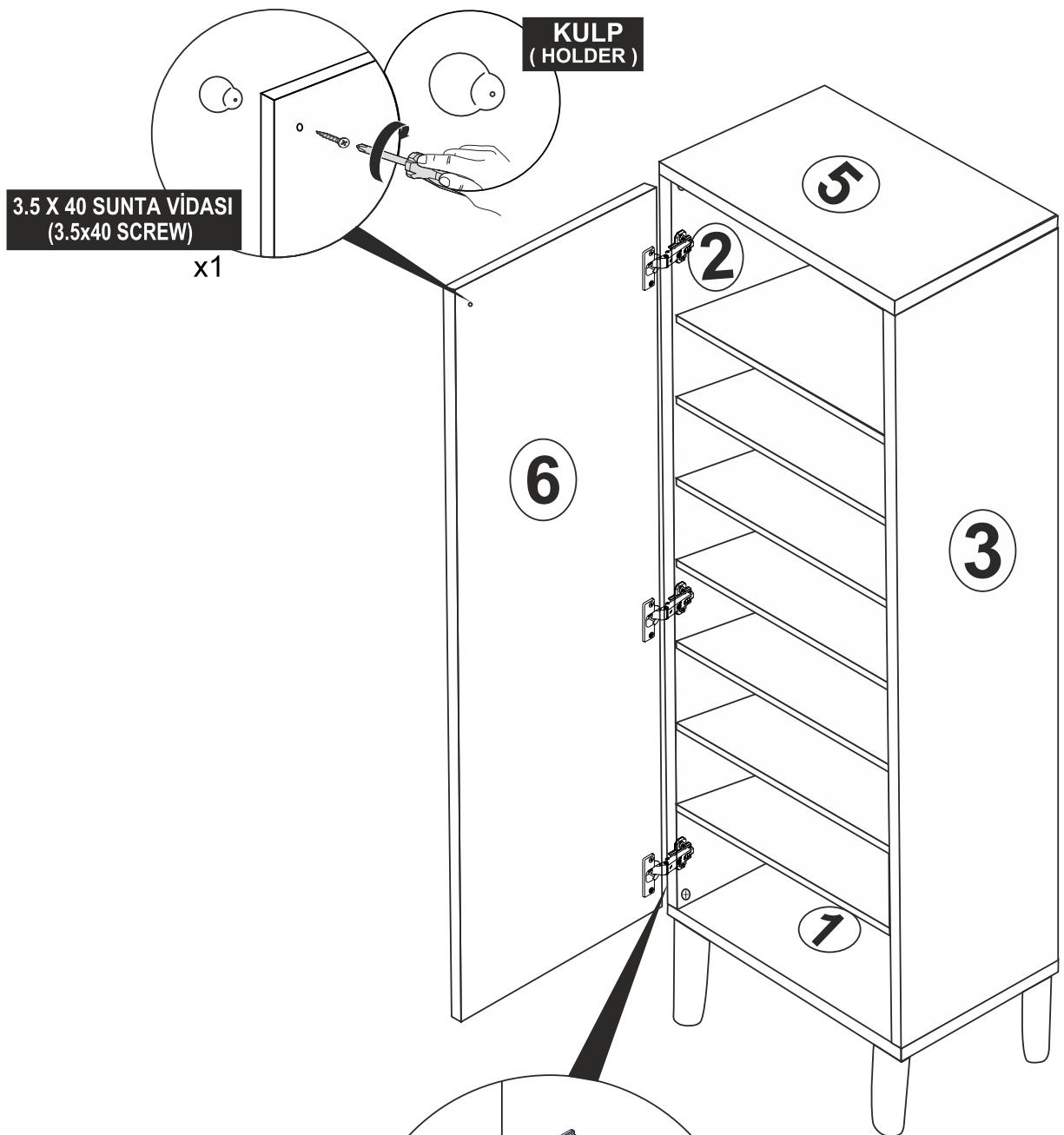




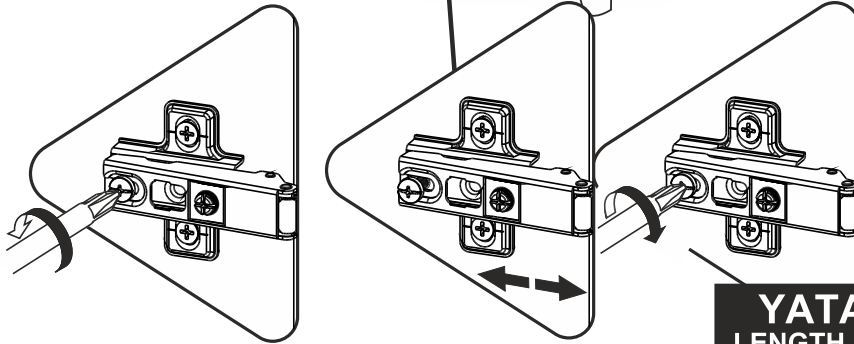
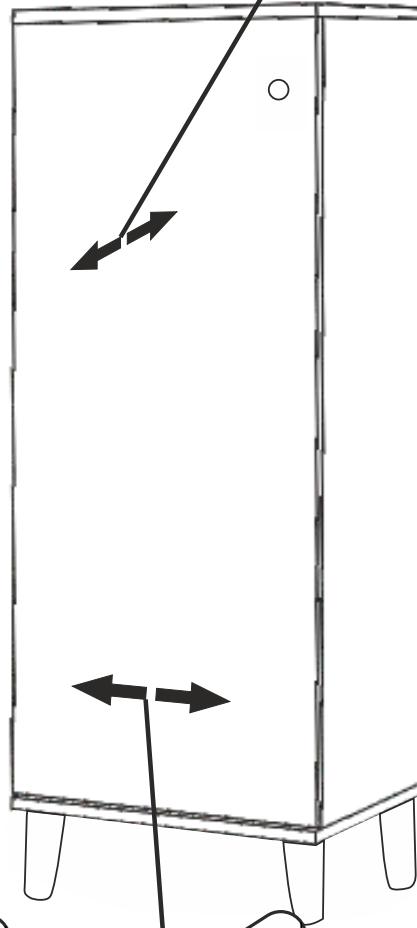
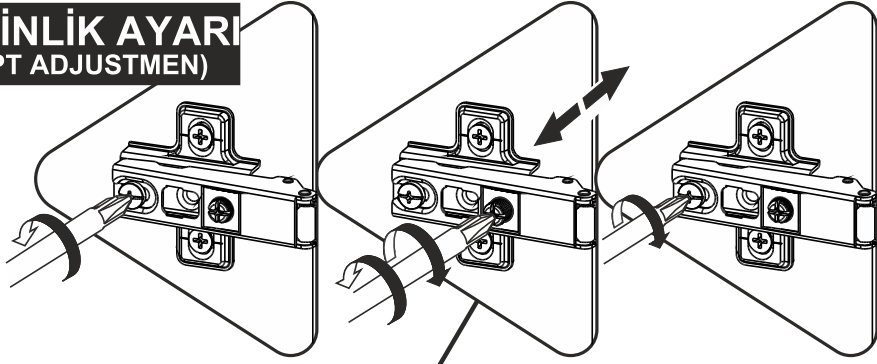
Not : Seyyar Rafları
Çapraz Yerleştirin.
(Place Horizontal On The
Movable Shelves.)

9





DERİNLİK AYARI
(DEPT ADJUSTMEN)



YATAY AYARI
(LENGTH ADJUSTMEN)