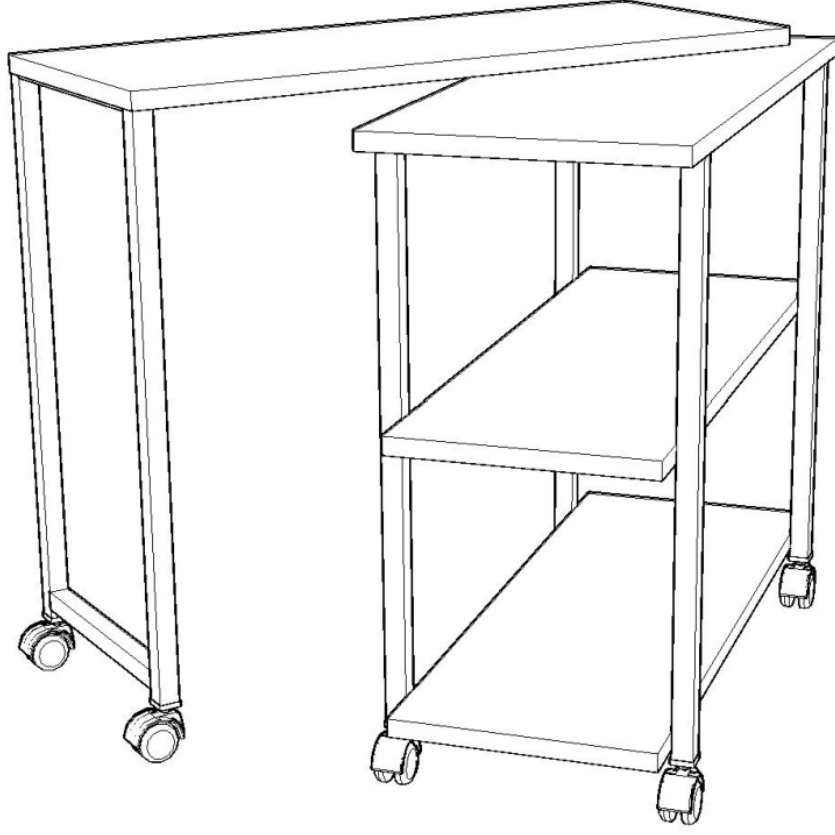


**i** GP052-0022,1



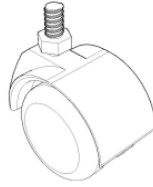
76 x 30 x 66cm



**ÇEKTİRME VİDASI x 14**  
( PULLİNG SCREW )



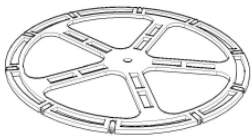
**DÜBEL X 15**  
( PEG )



**TEKERLEK X 6**  
( WHEEL )



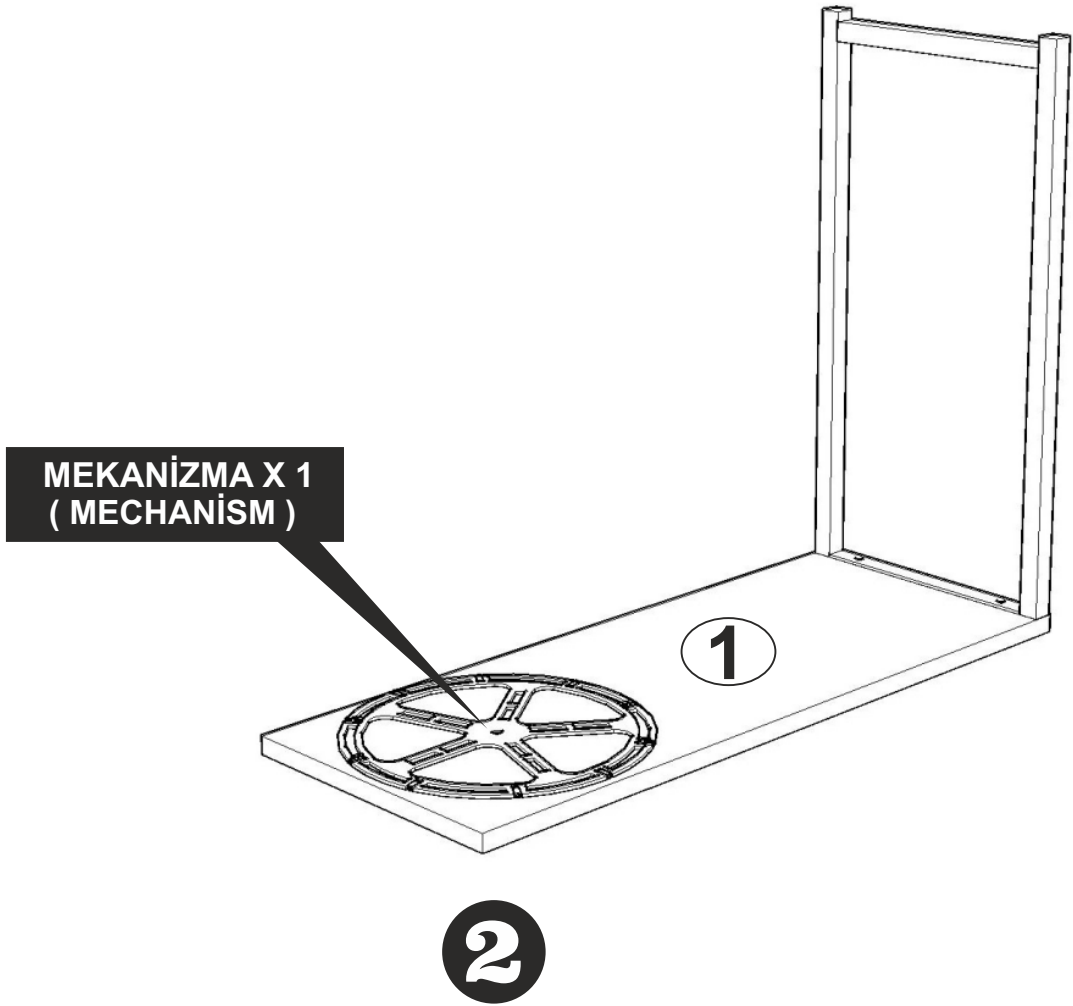
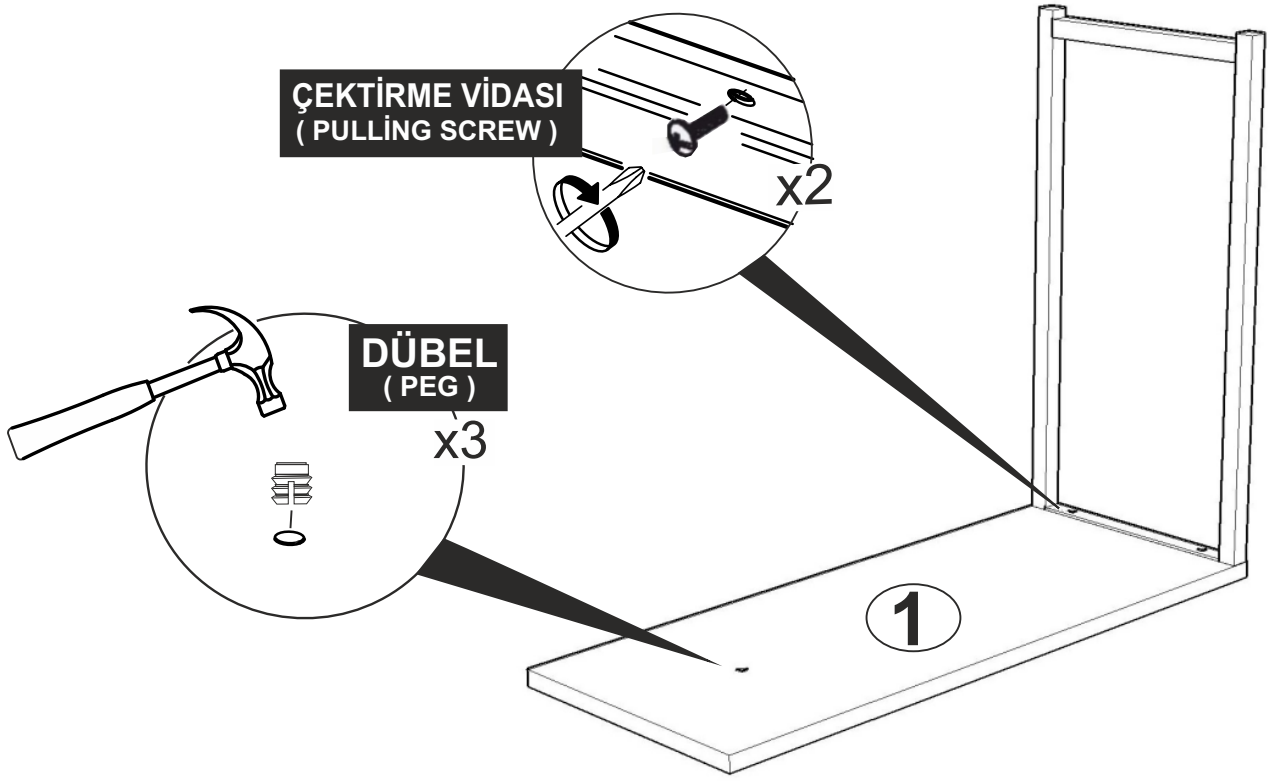
**m8 ROTİL X 6**  
( m8 ROLLER )

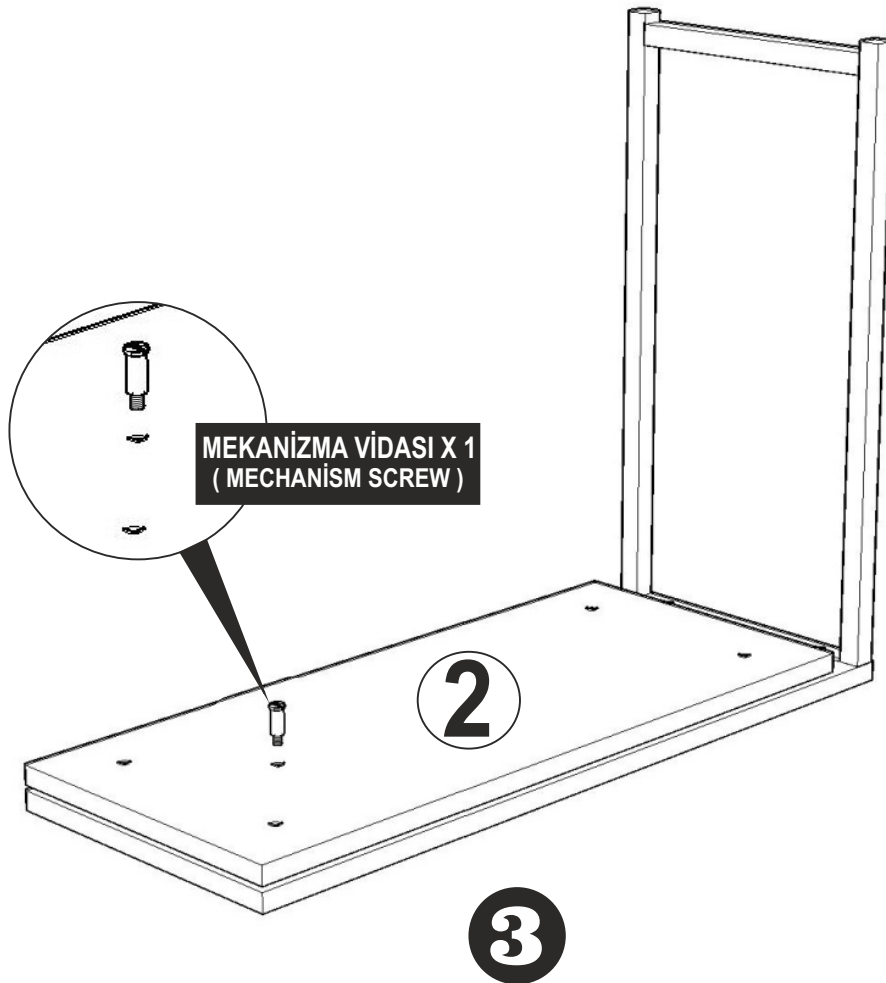
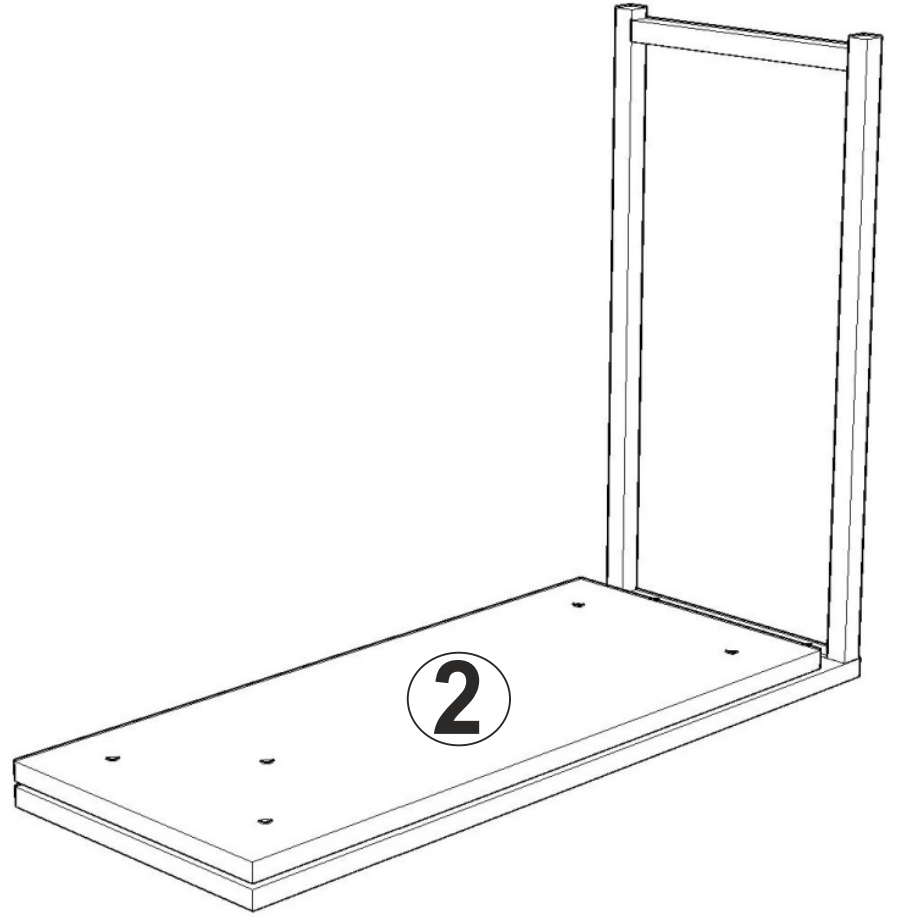


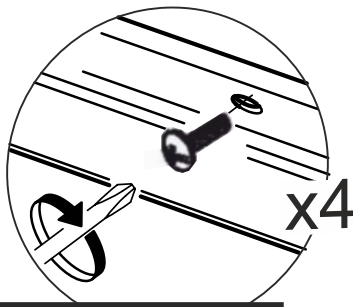
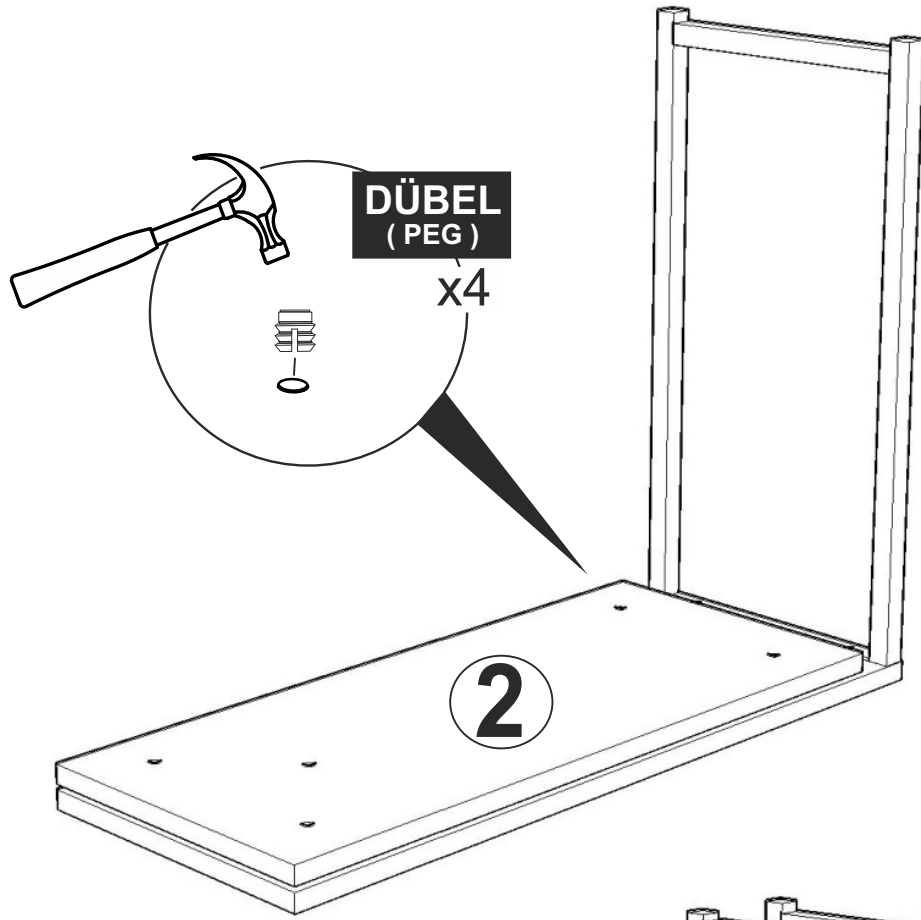
**MEKANİZMA X 1 TK.**  
( MECHANİSM )



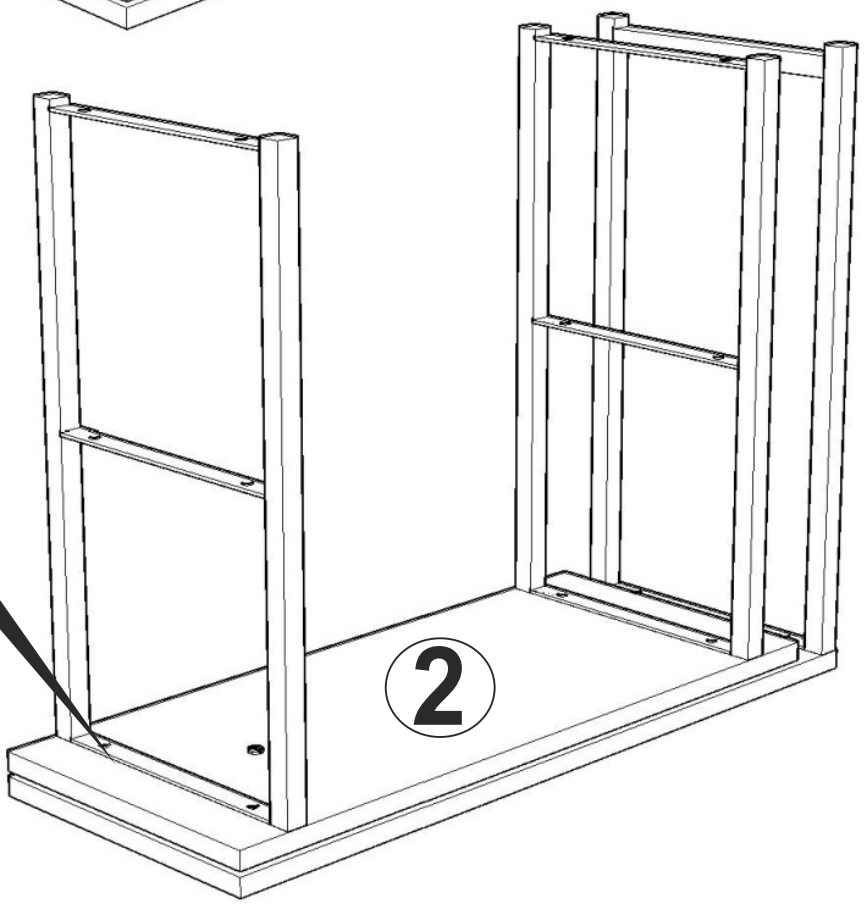
**MEKANİZMA VİDASI X 1**  
( MECHANİSM SCREW )



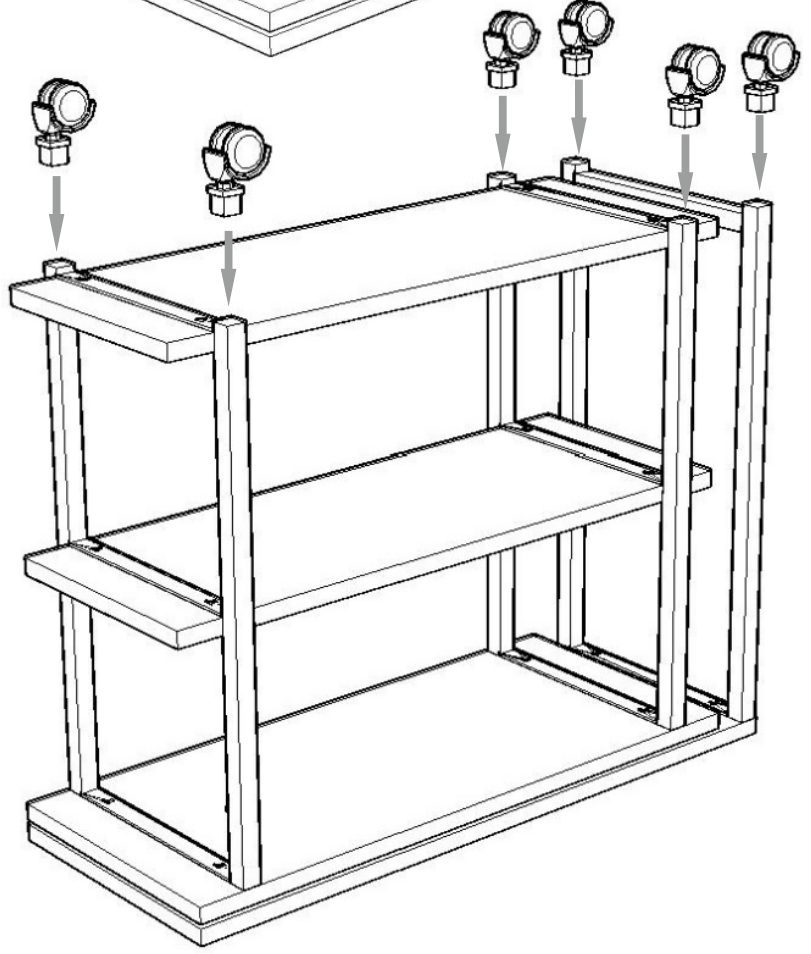
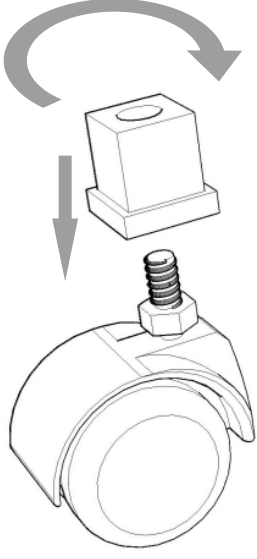
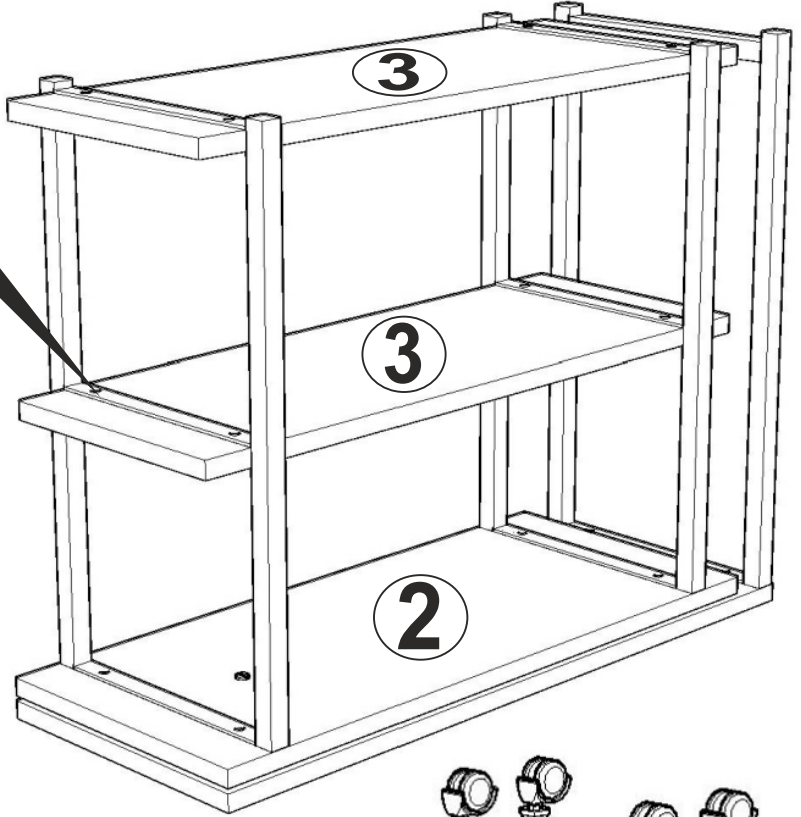
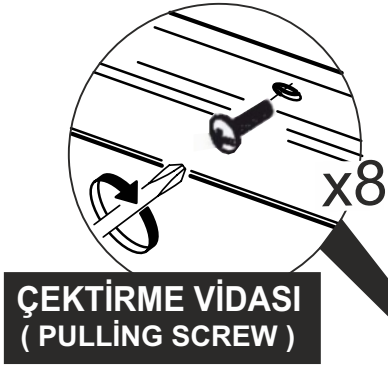




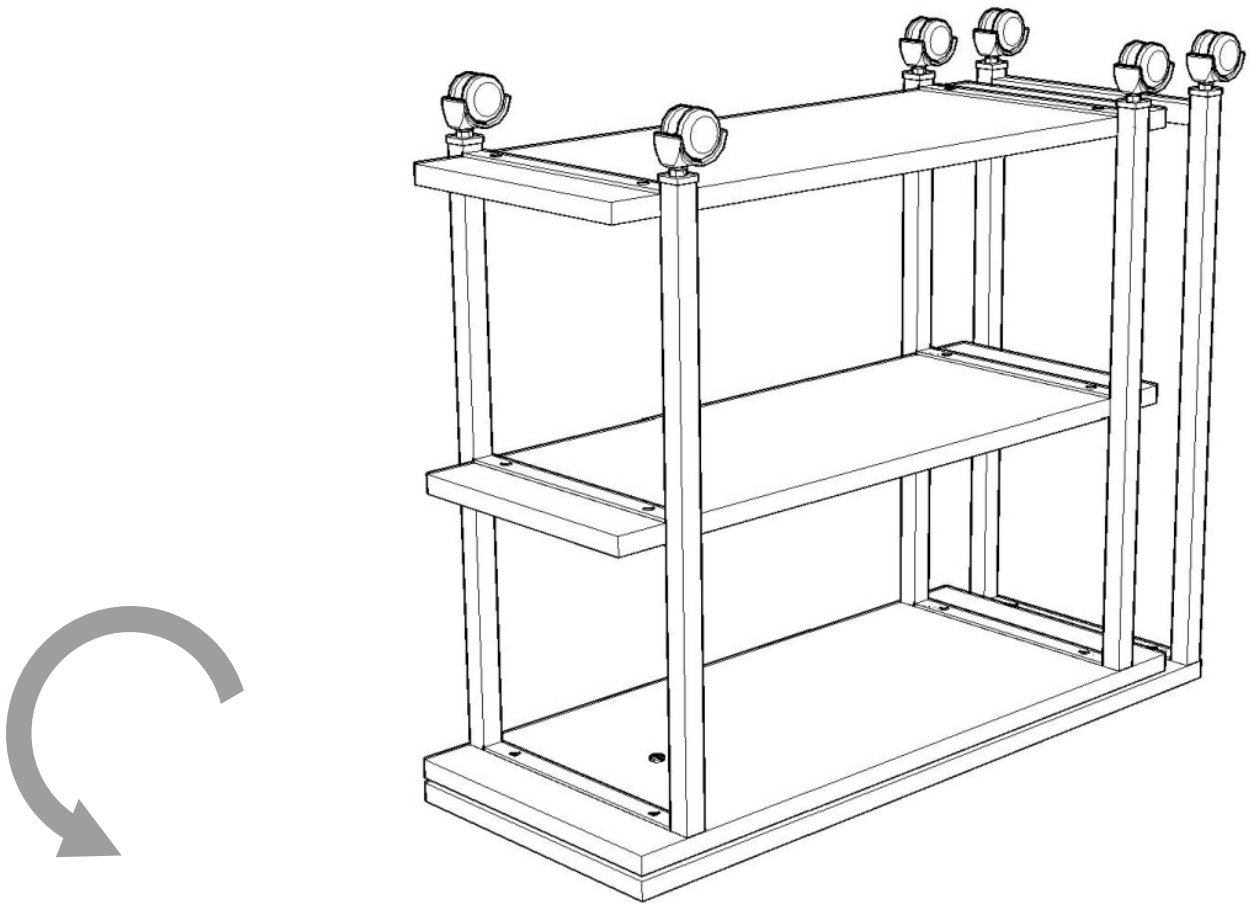
**ÇEKTİRME VİDASI  
( PULLING SCREW )**



**4**



5



**6**