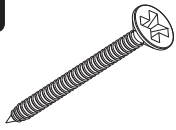
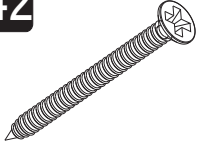
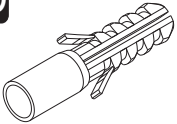

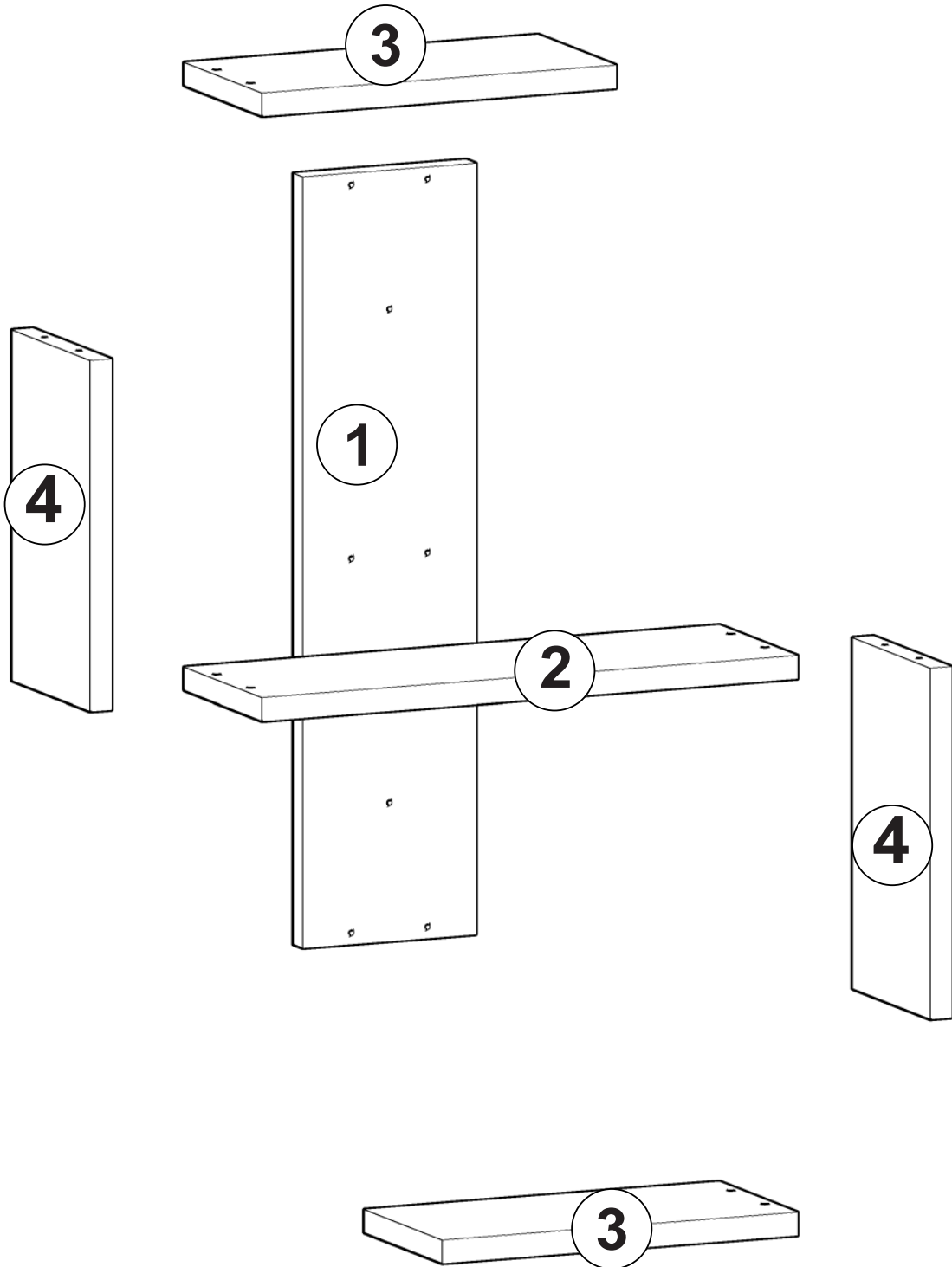


i GP052-0211,1

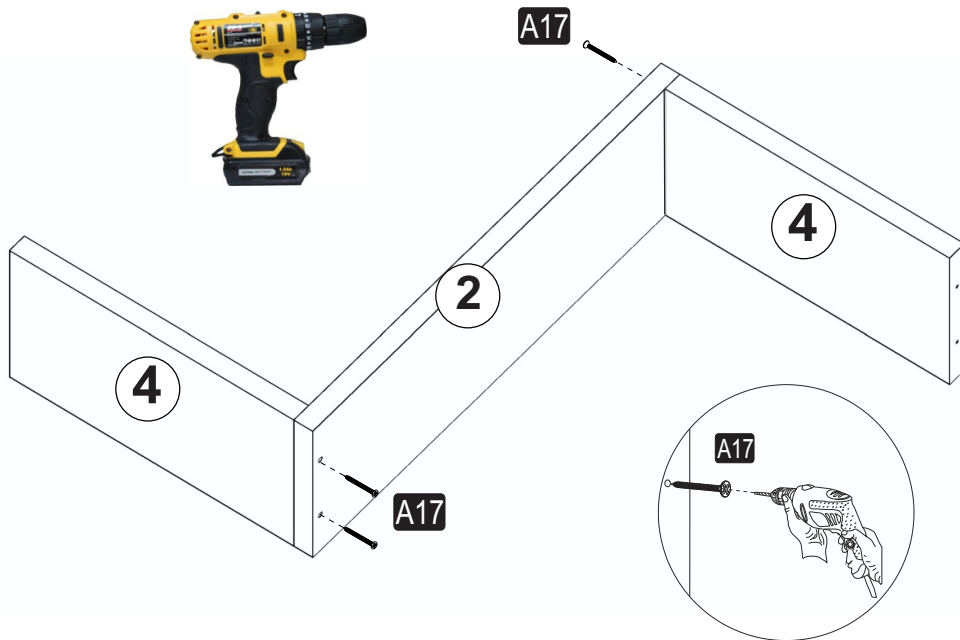


45 x 16,4 x 60cm

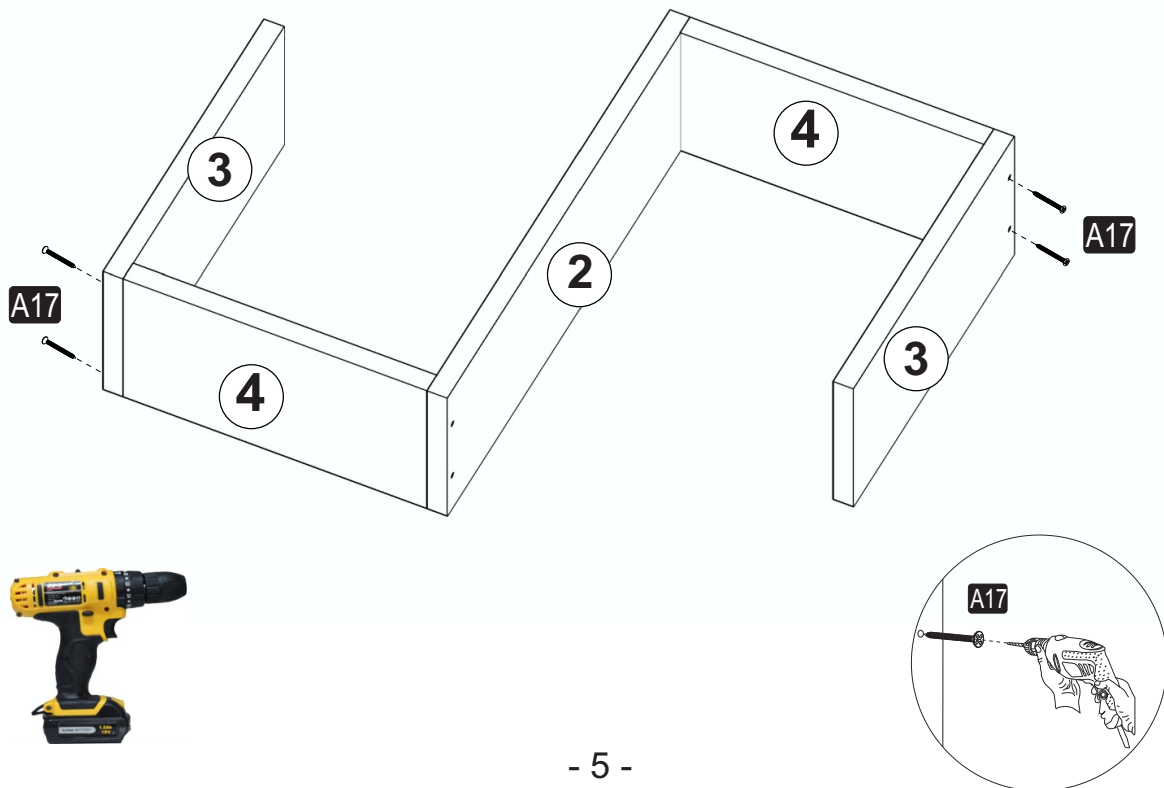
A17  4x50 14x	A42  5x70 2x	A16  DB 8mm 2x	A10  14mm 16x
----------------------------------------------------------------------------------------------------------------	---------------------------------------------------------------------------------------------------------------	------------------------------------------------------------------------------------------------------------------	------------------------------------------------------------------------------------------------------------------



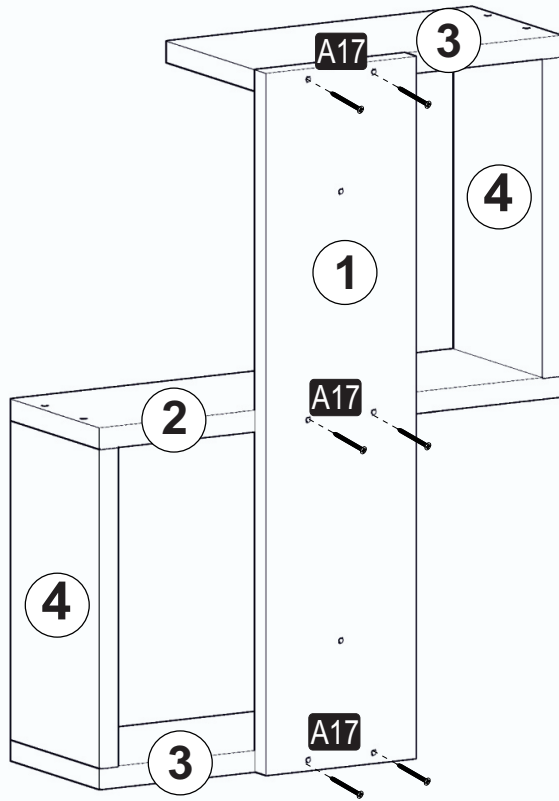
1



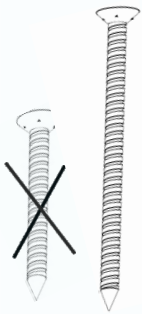
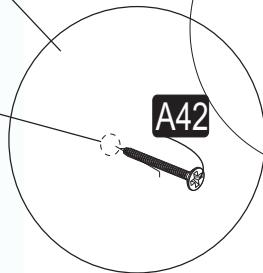
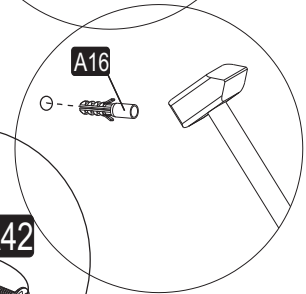
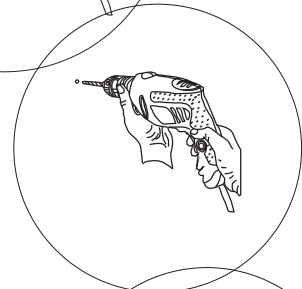
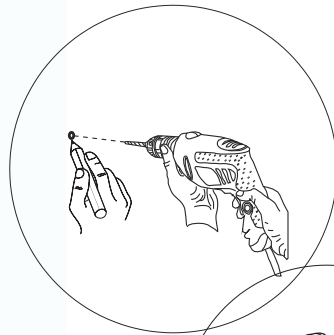
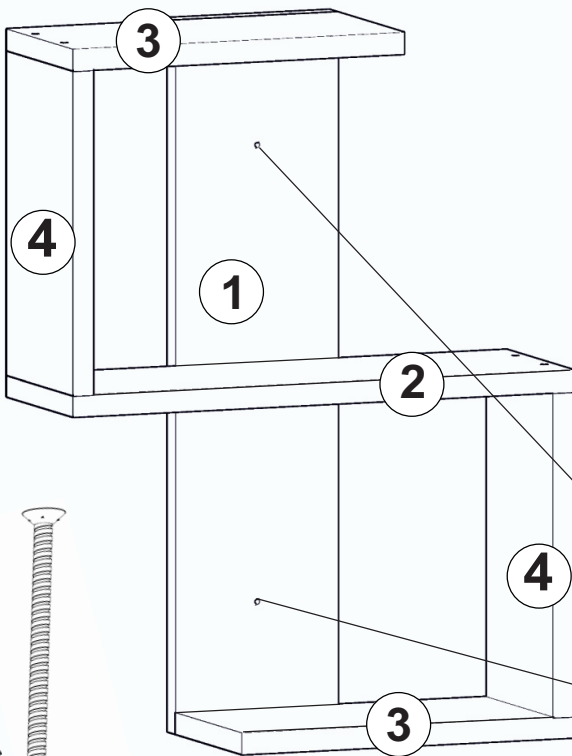
2



3



4



5

