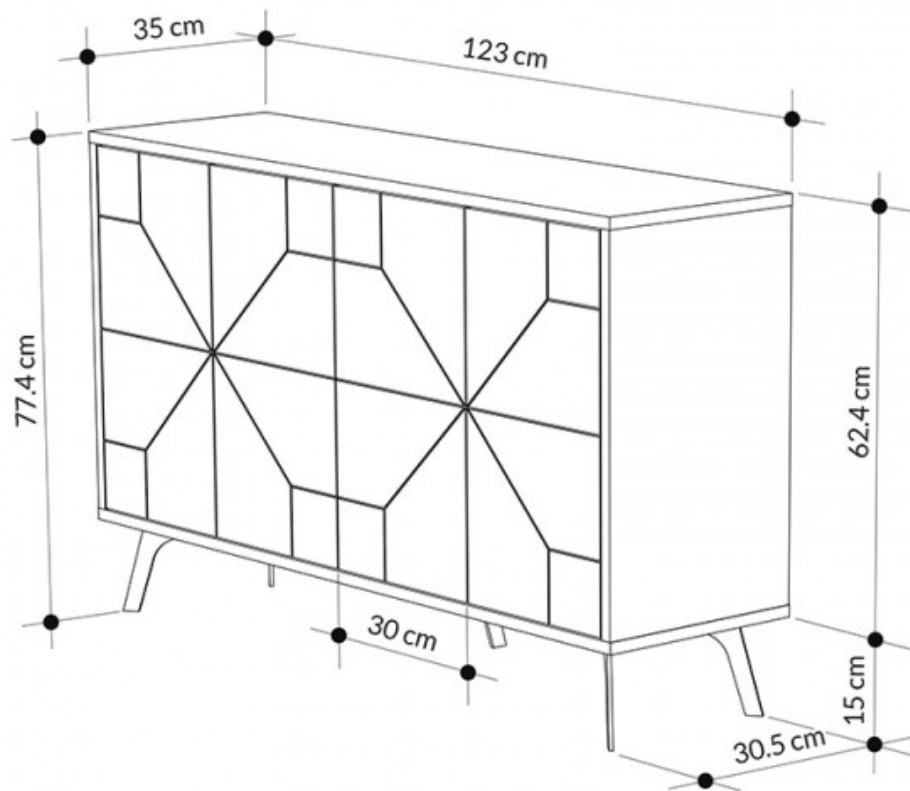


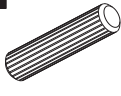

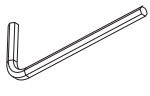
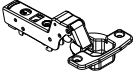
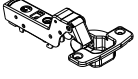

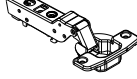





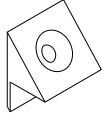
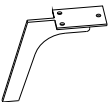
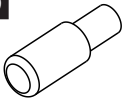
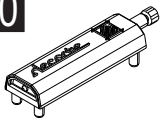
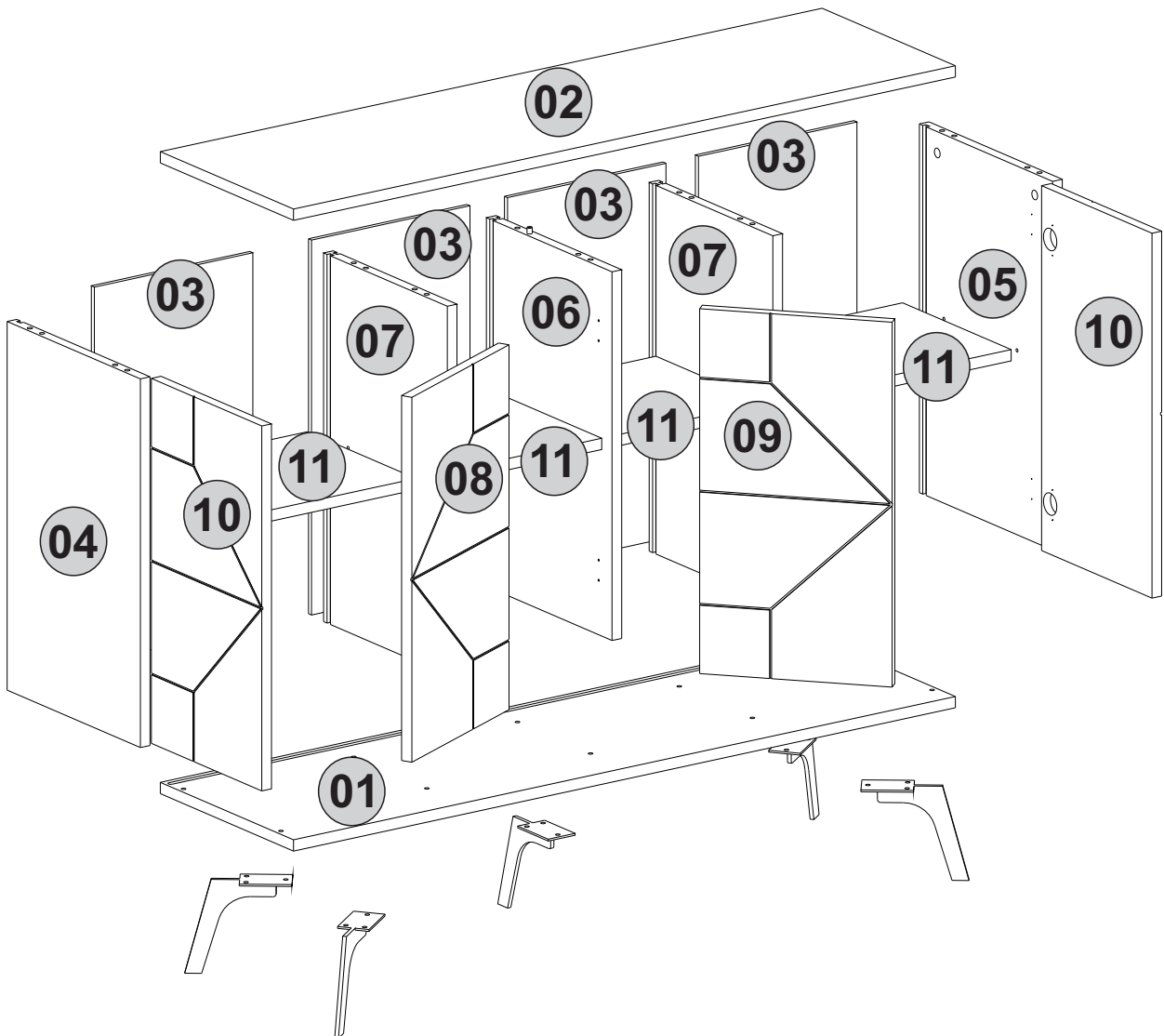


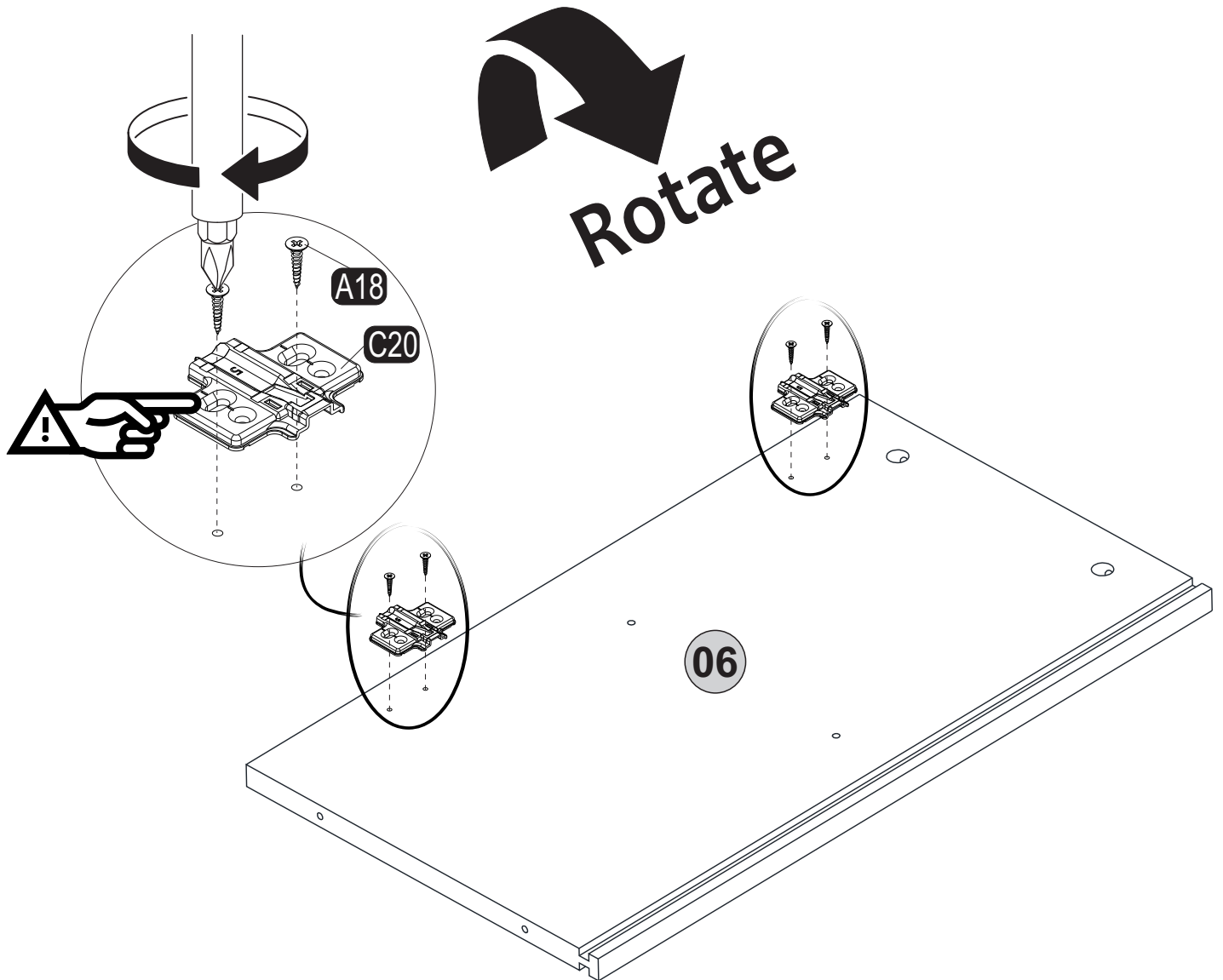
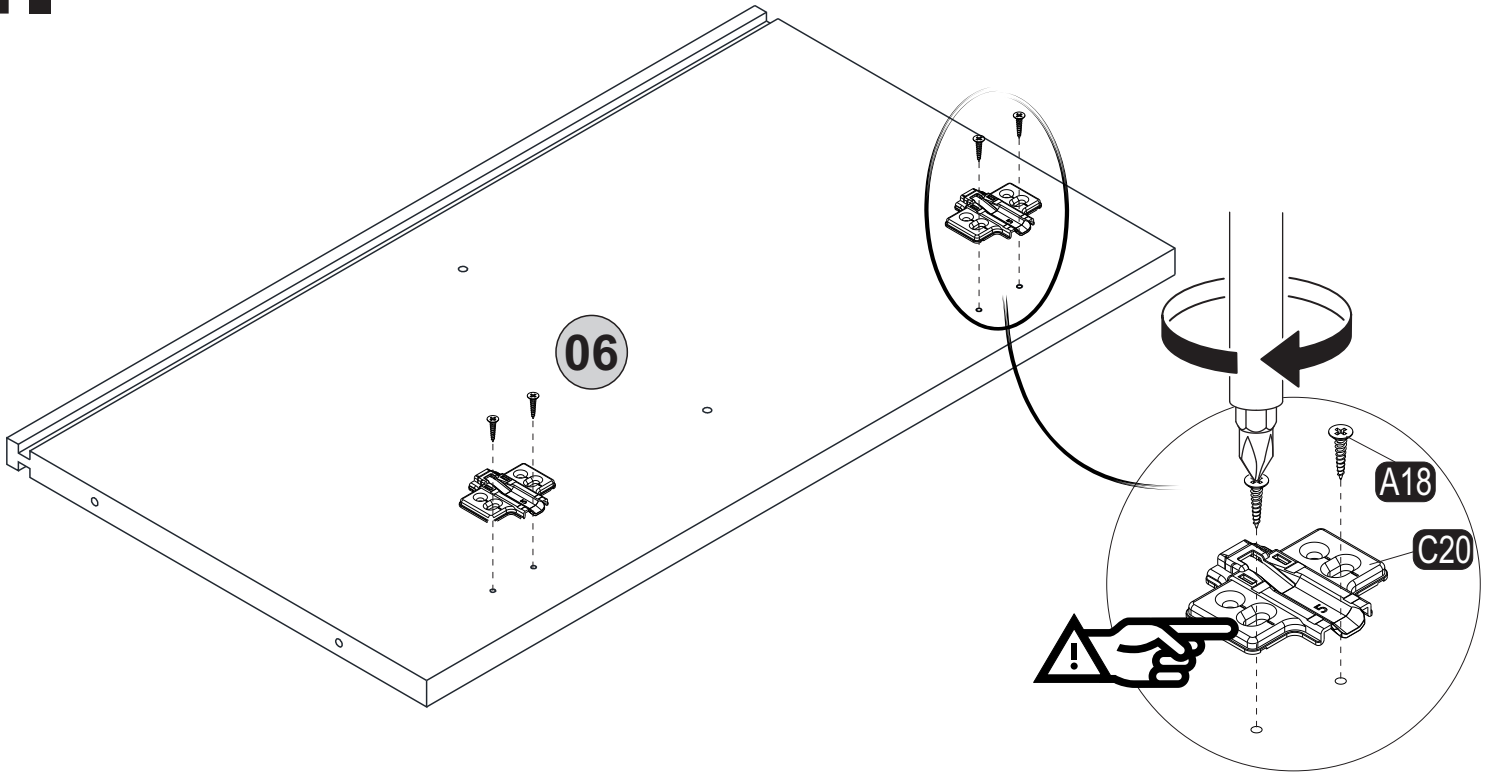
**i** GP037-0008,4



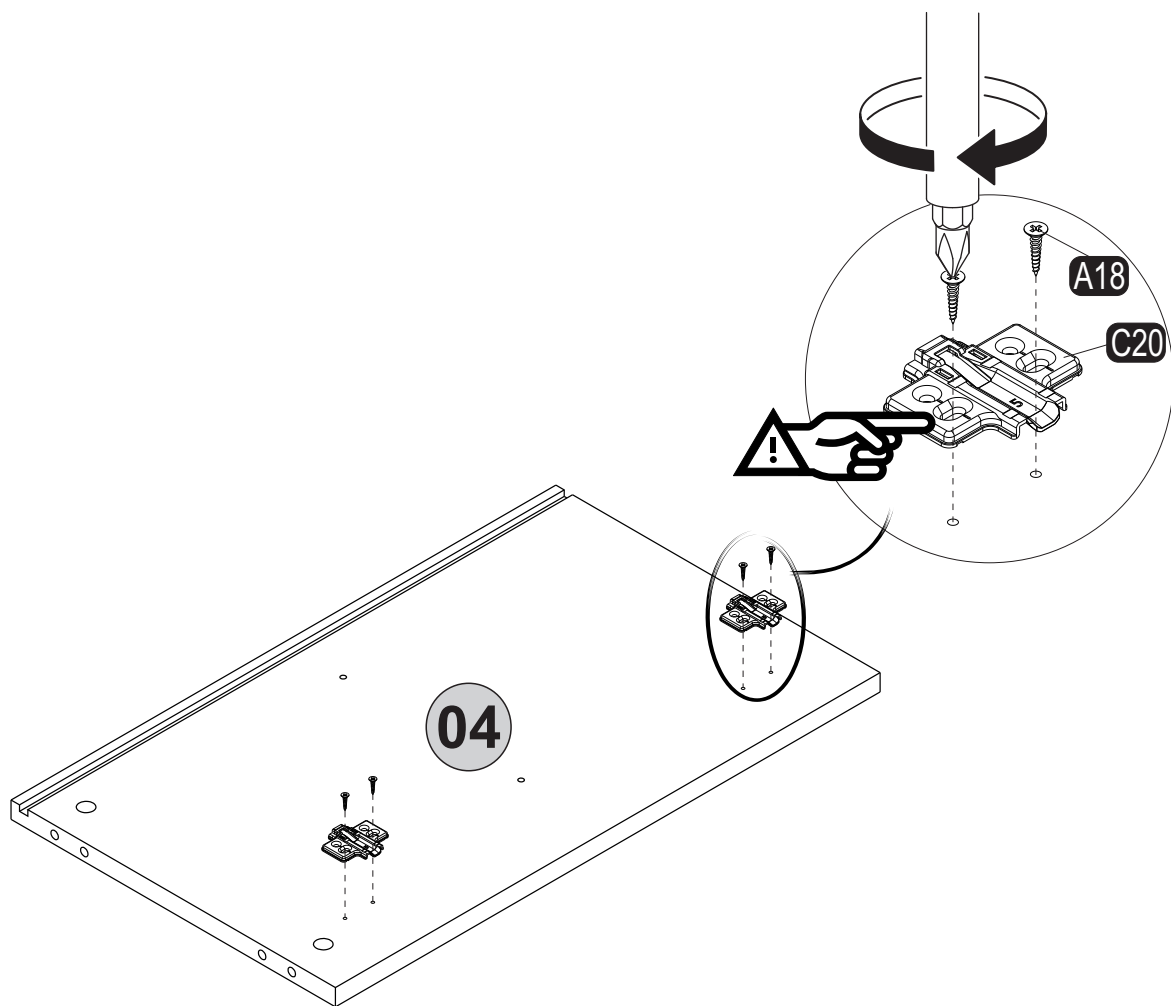
<b>A22</b> Minifix k18  10x	<b>A23</b> Minifix M10  10x	<b>A04</b> Ø8  10x	<b>A13</b> 50mm  10x	<b>A12</b> 4 SW  1x
<b>C19</b> SdbF(S)  2x	<b>C16</b> Sdb(S)  2x	<b>C18</b> YdbF(S)  2x	<b>C15</b> Ydb(S)  2x	<b>C20</b> Mtk(S)  8x
<b>A18</b> 3,5x18  64x	<b>B15</b> 15 (black)mm  15x	<b>A69</b> P.D.  15x	<b>A06</b> 18mm  10x	<b>A25</b> ARK.PL  16x
<b>Z72</b>  5x	<b>A48</b> Raf Pimi  16x	<b>A80</b> bas ac  4x		



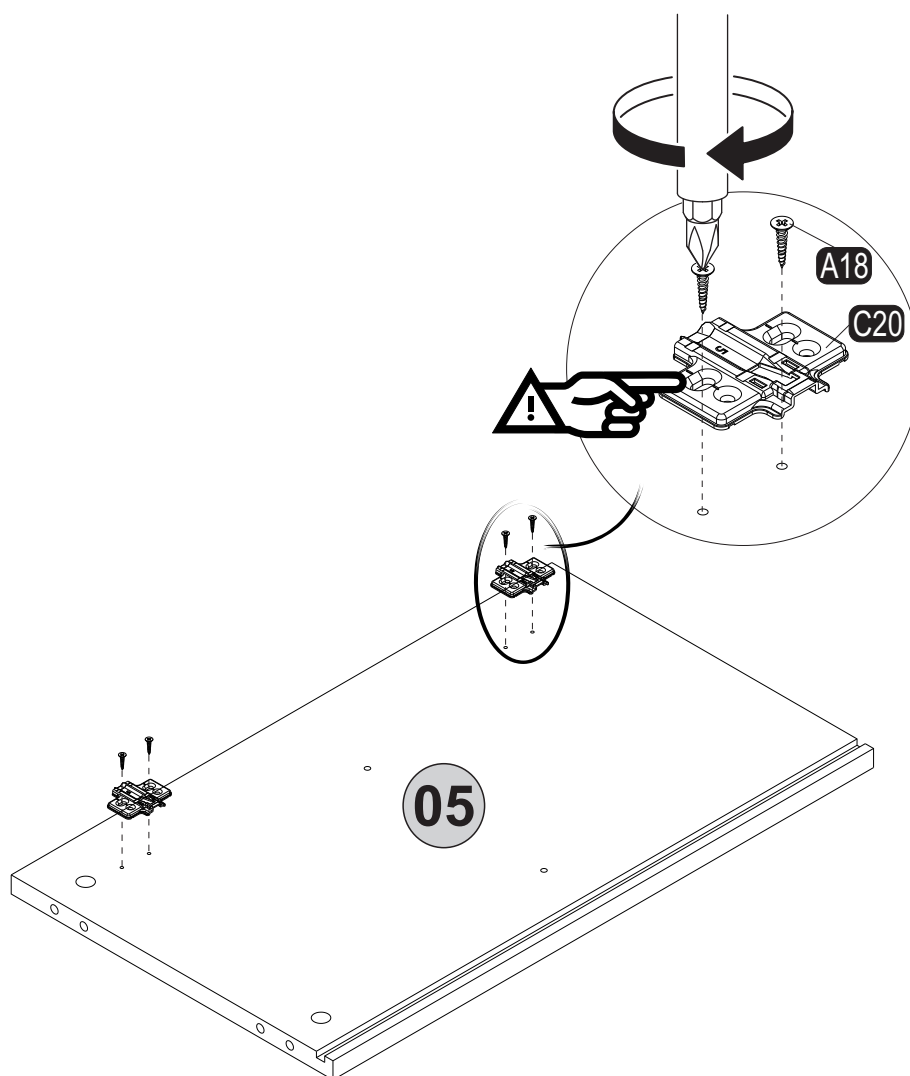
**1.** step



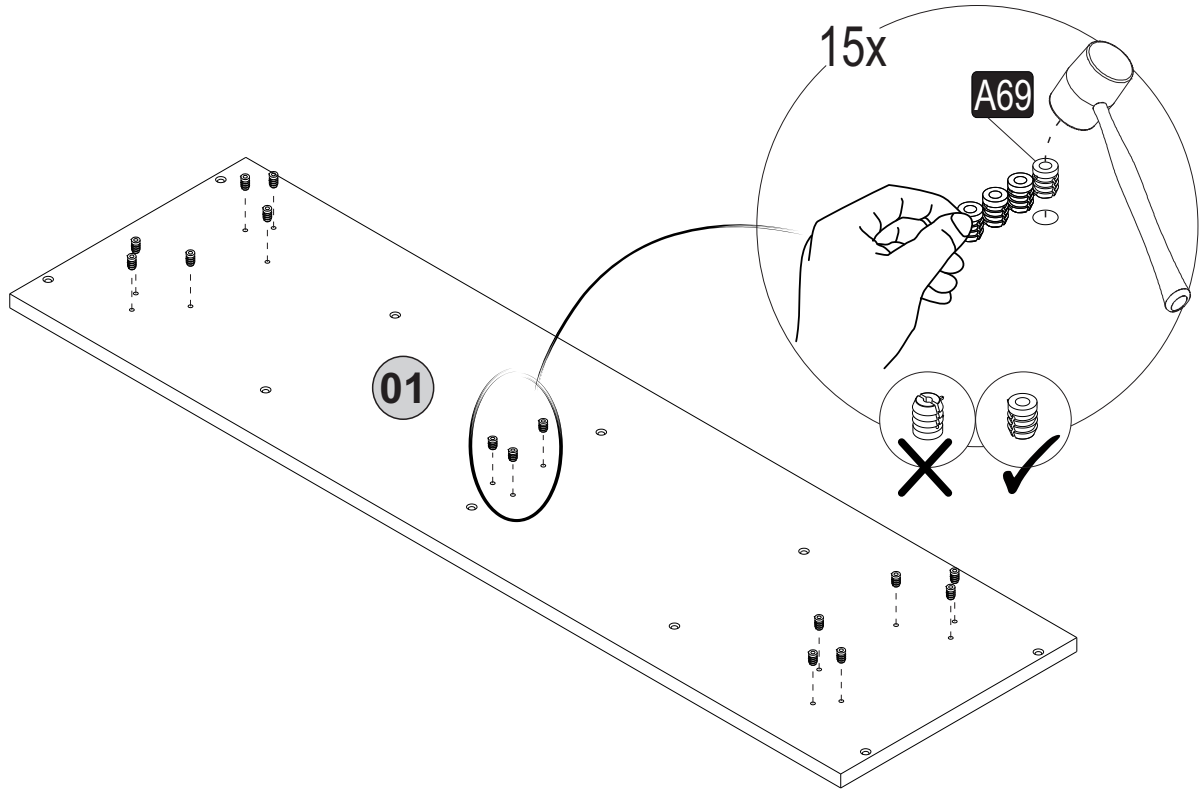
**2.** step



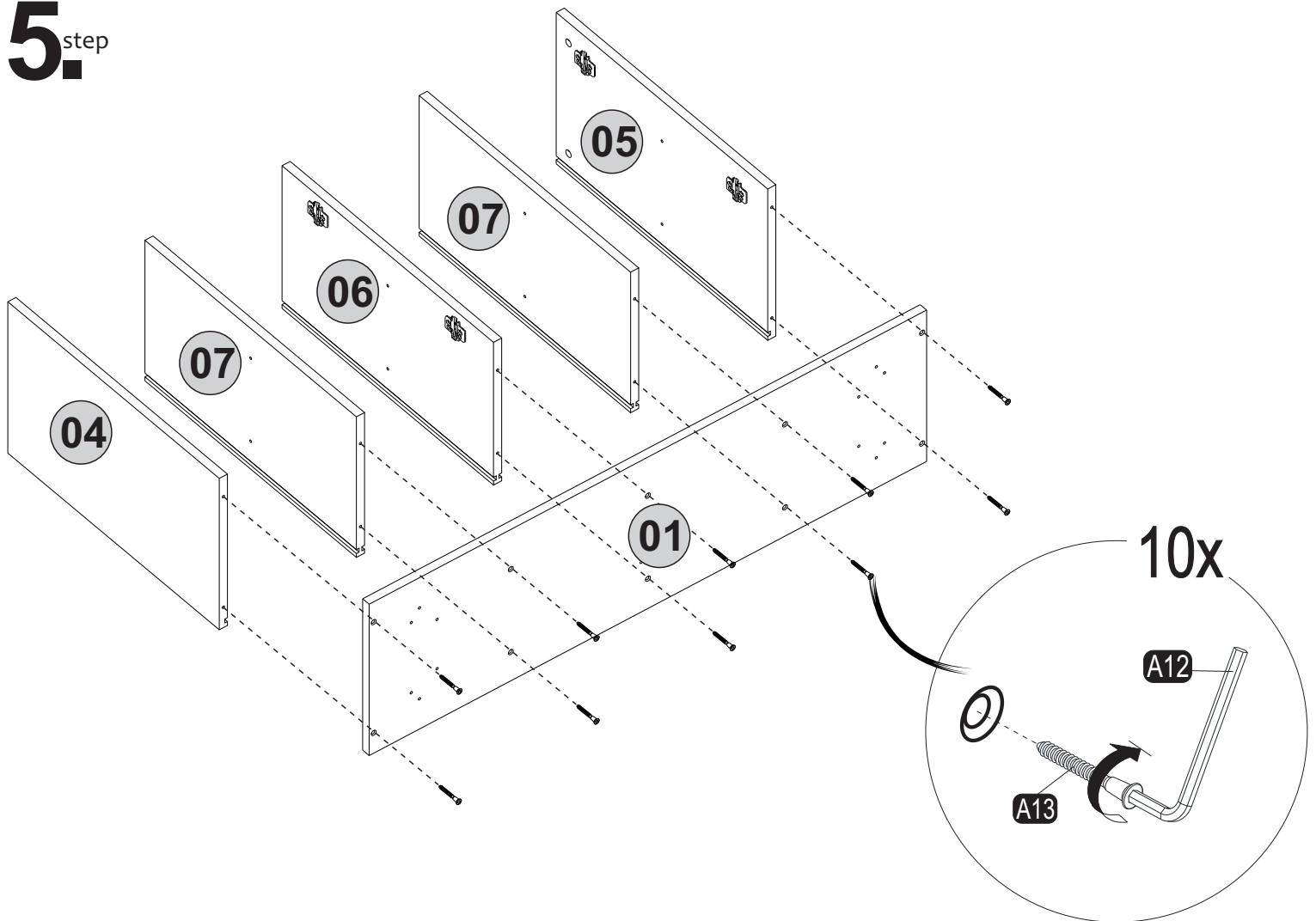
**3.** step



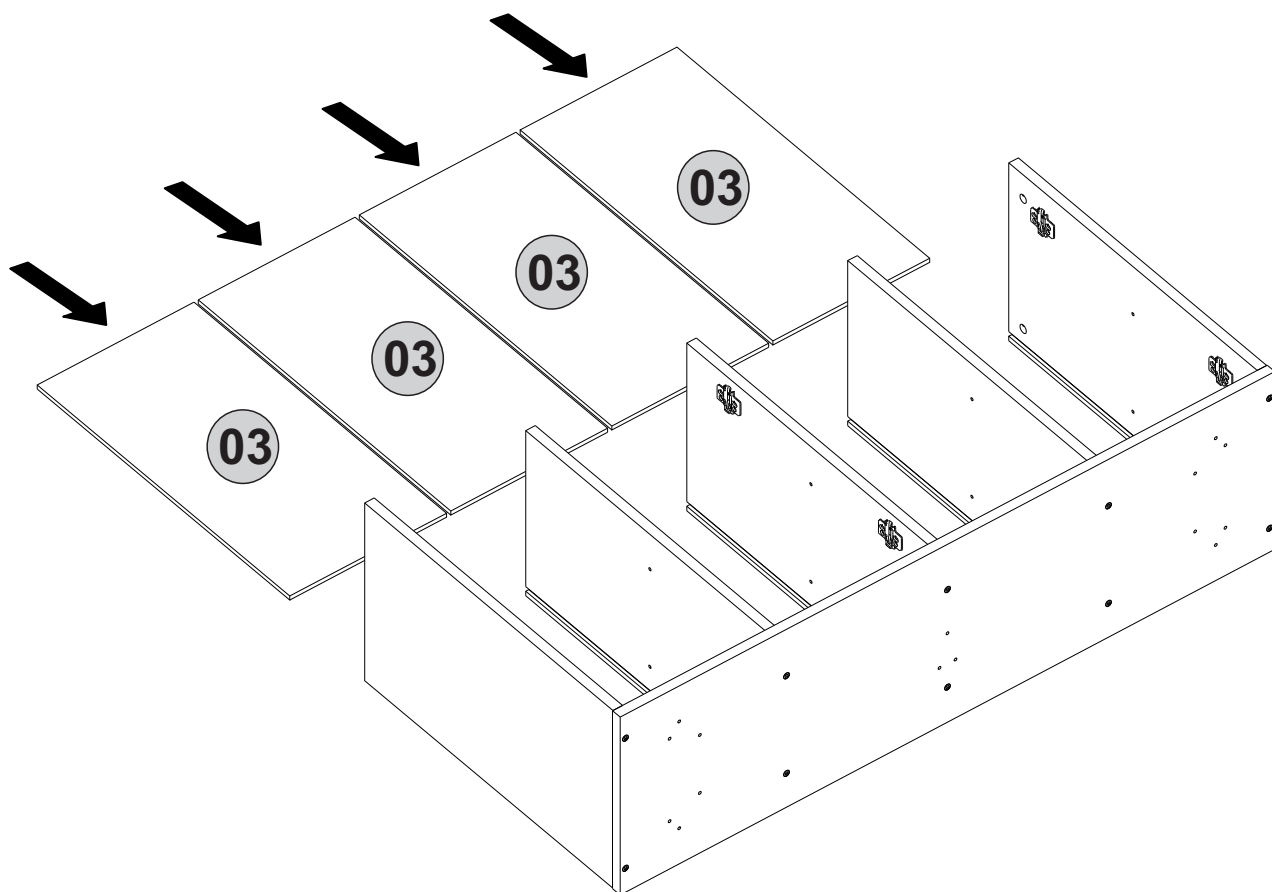
# 4.<sub>step</sub>



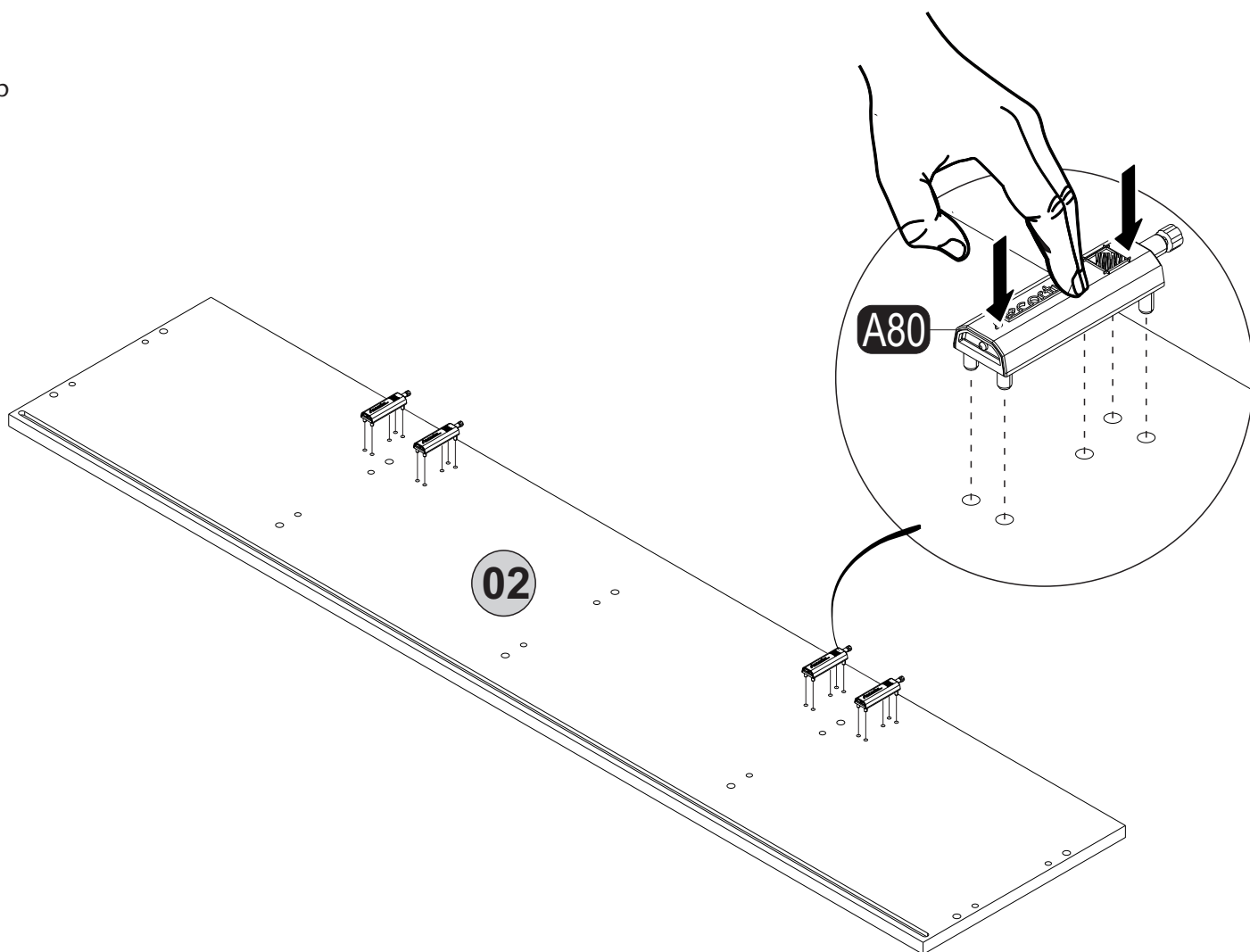
# 5.<sub>step</sub>



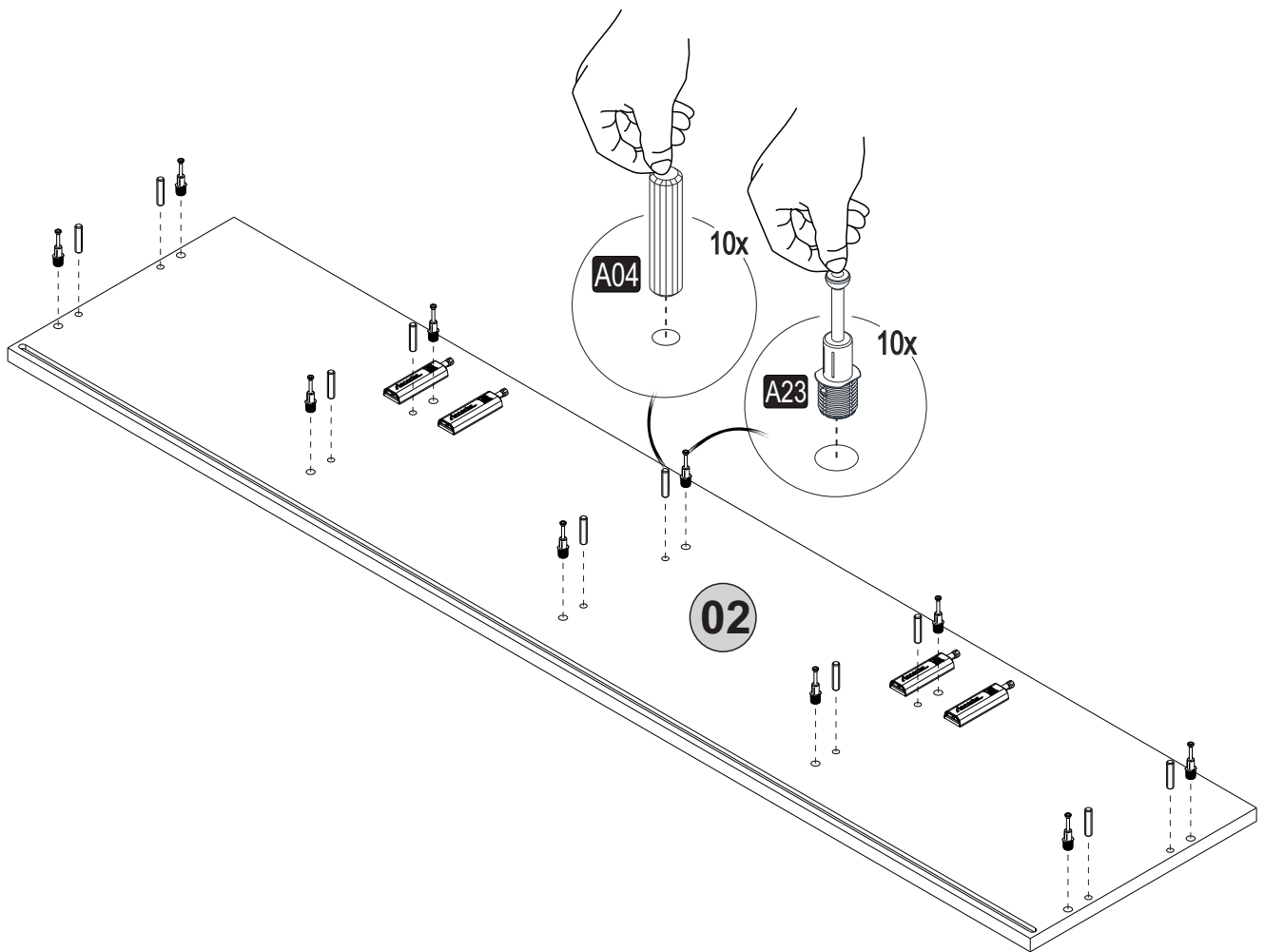
# 6<sup>step</sup>



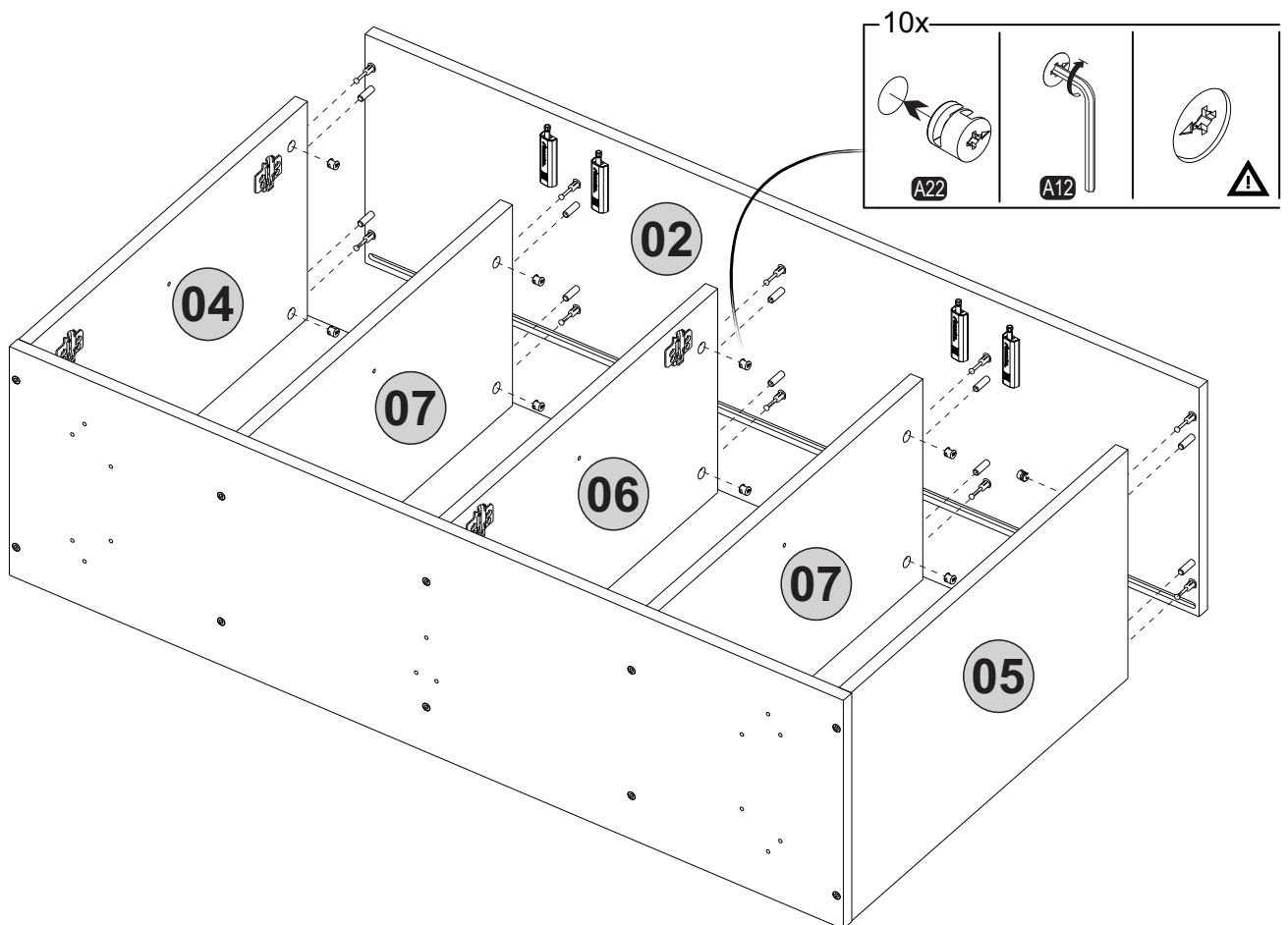
# 7<sup>step</sup>



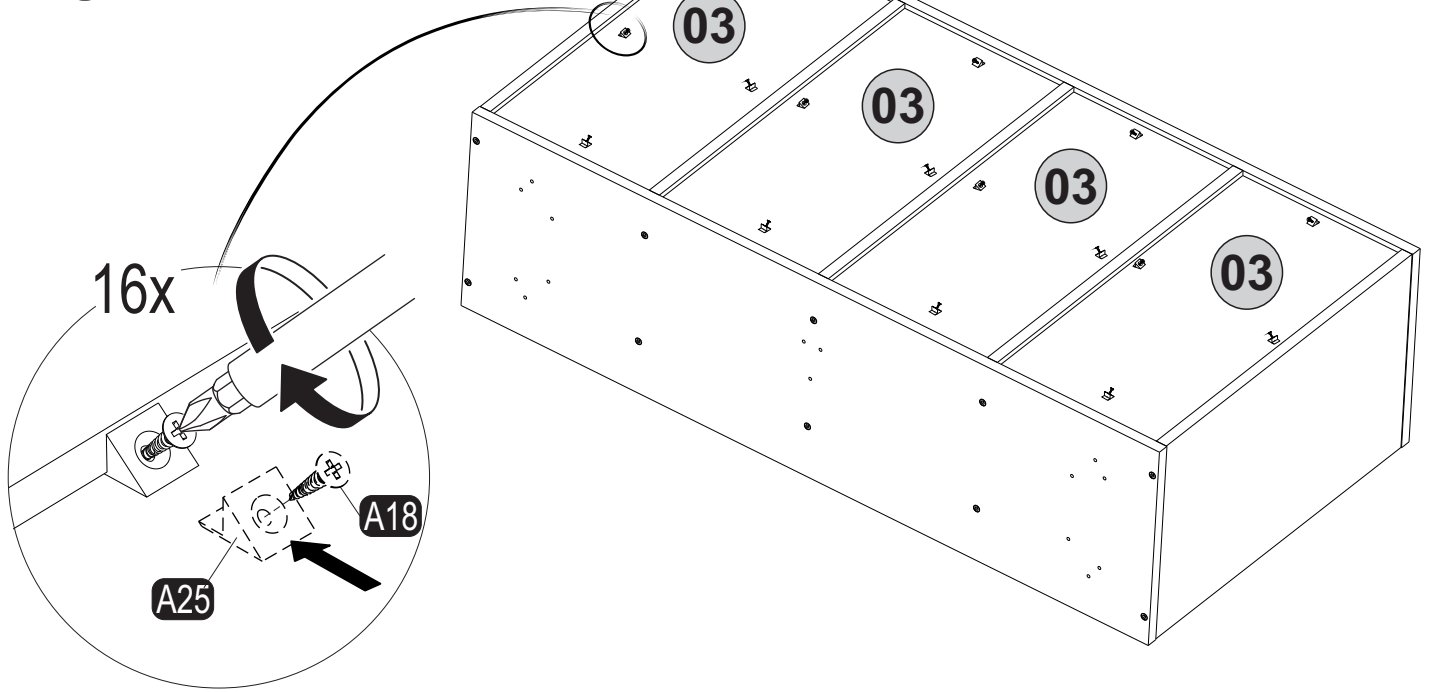
# 8<sub>step</sub>



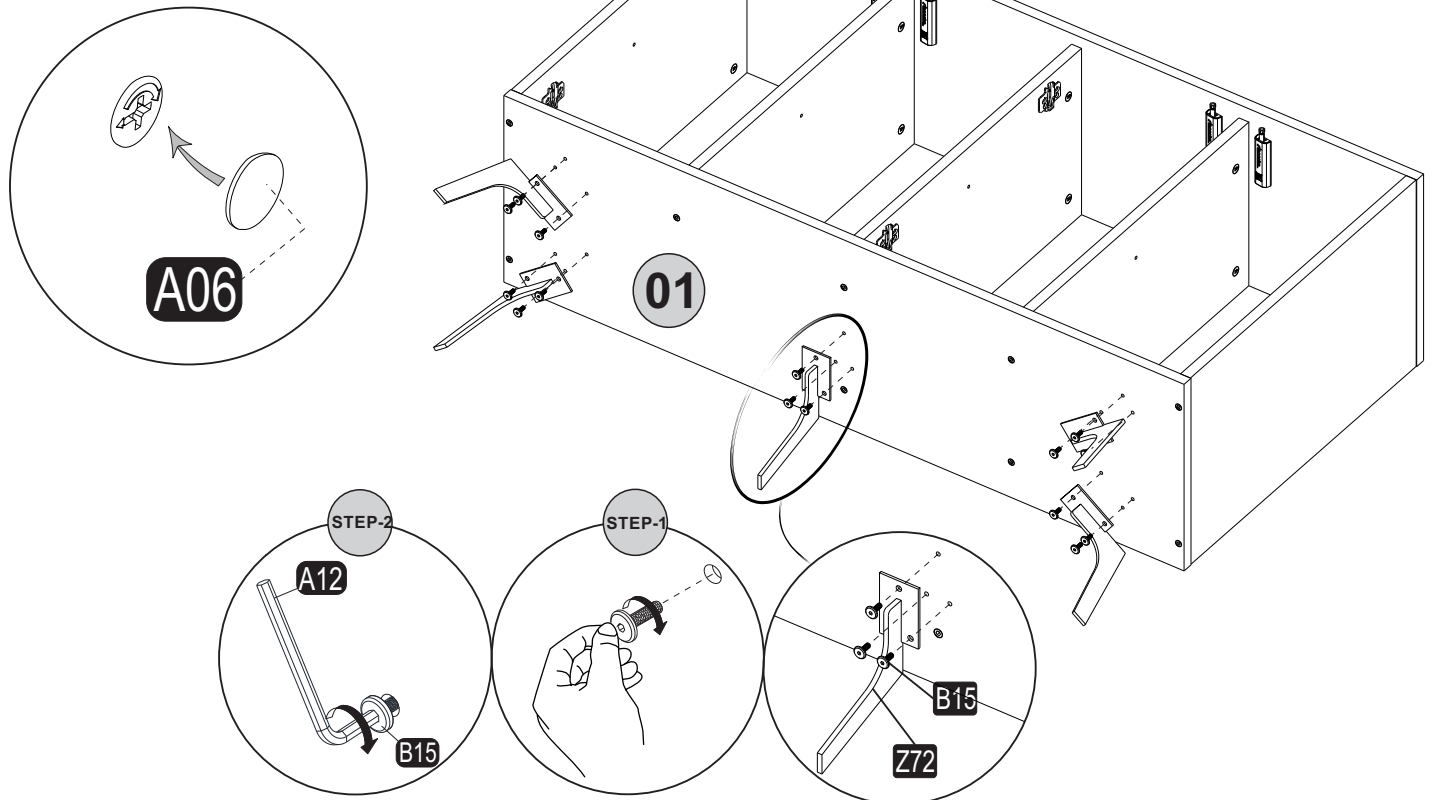
# 9<sub>step</sub>



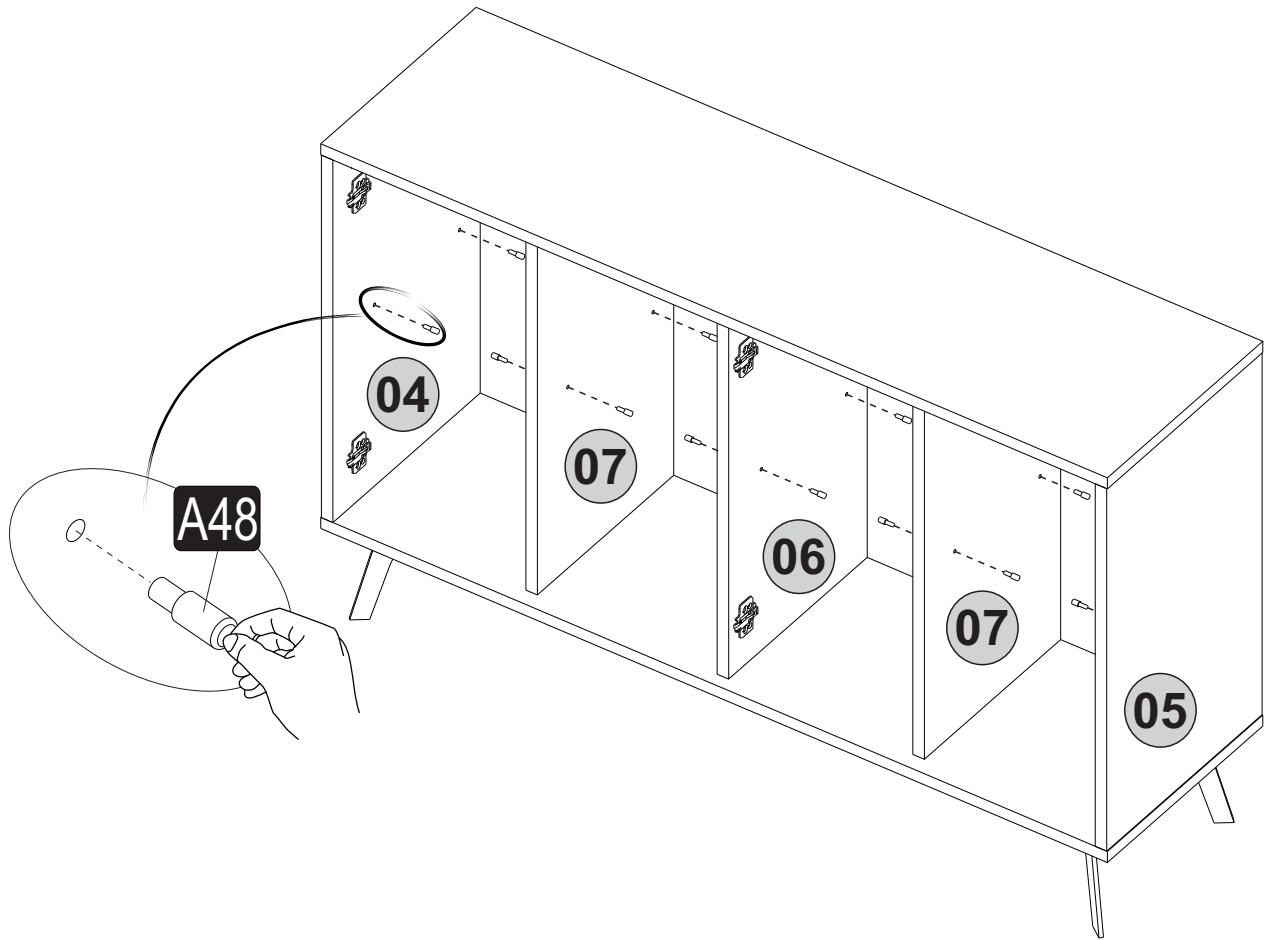
# 10. step



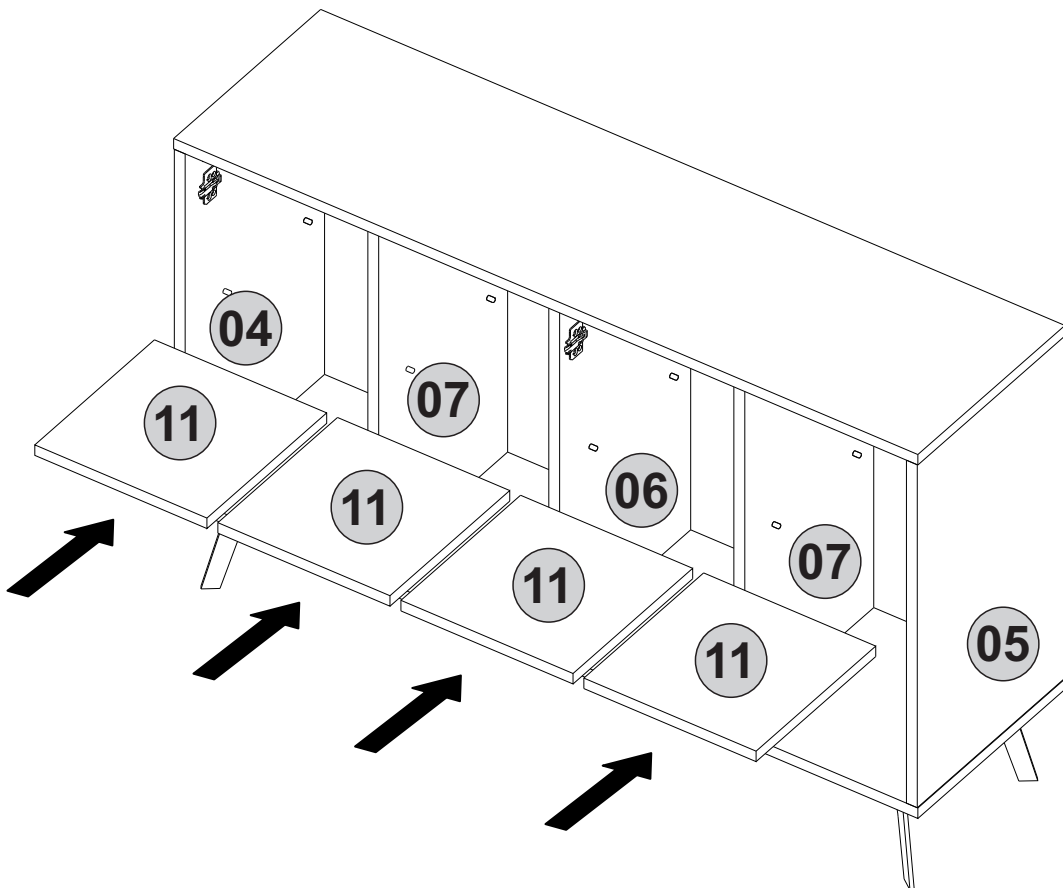
# 11. step



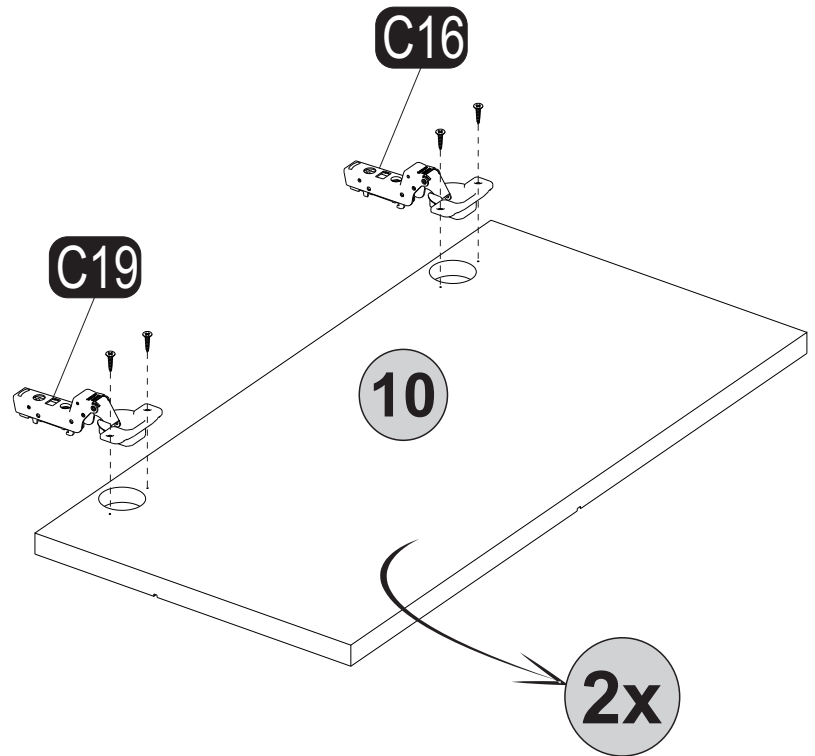
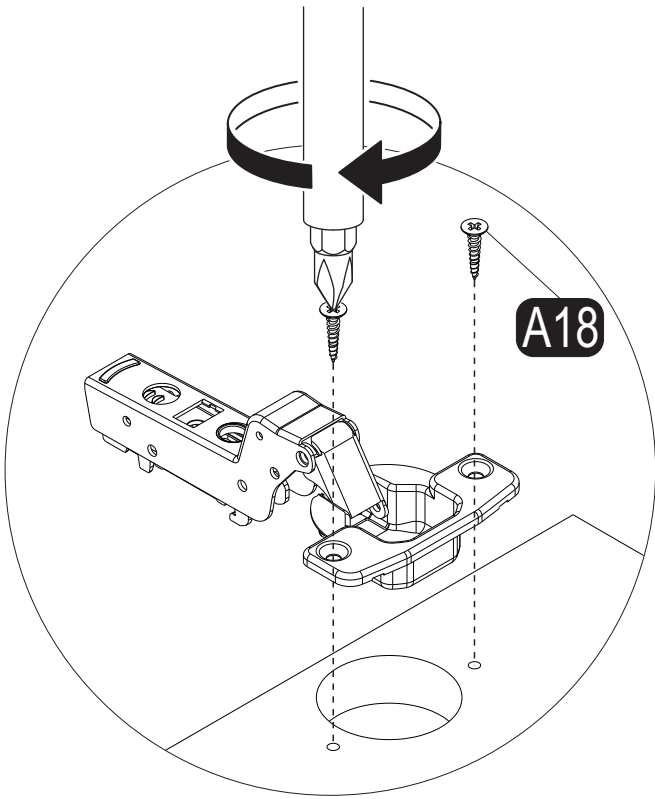
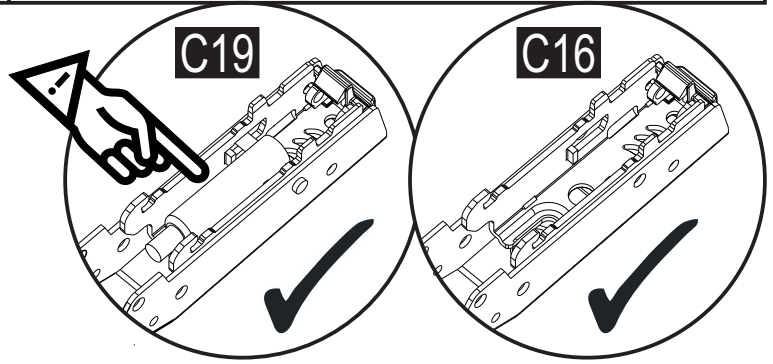
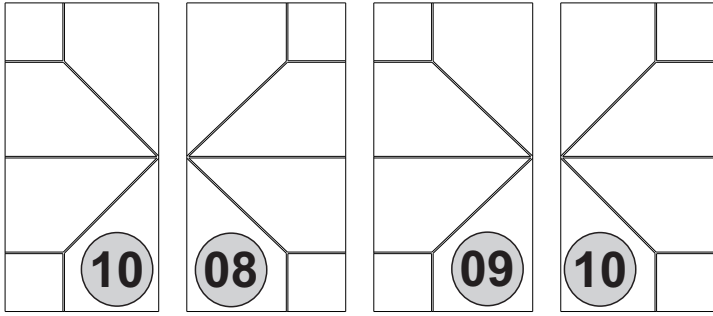
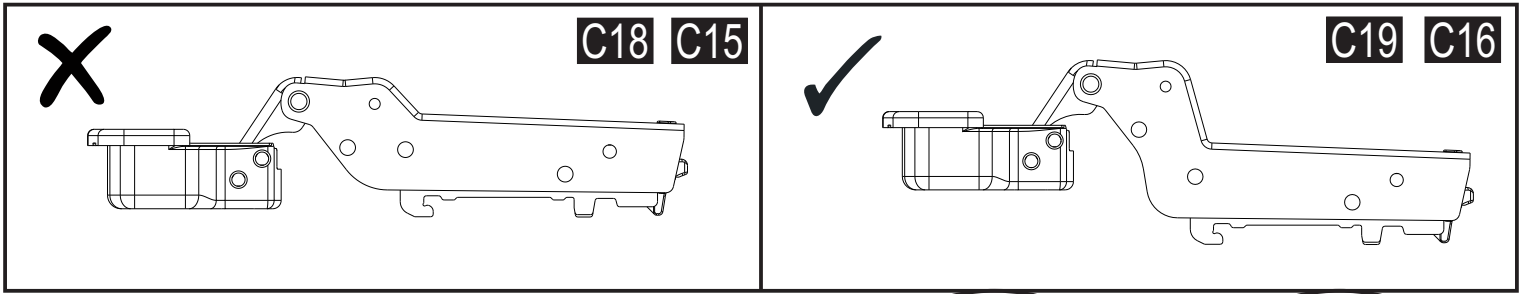
# 12.<sup>step</sup>



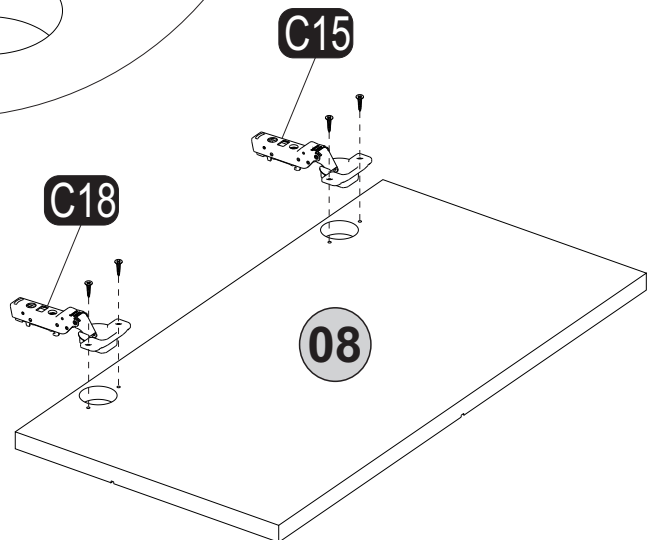
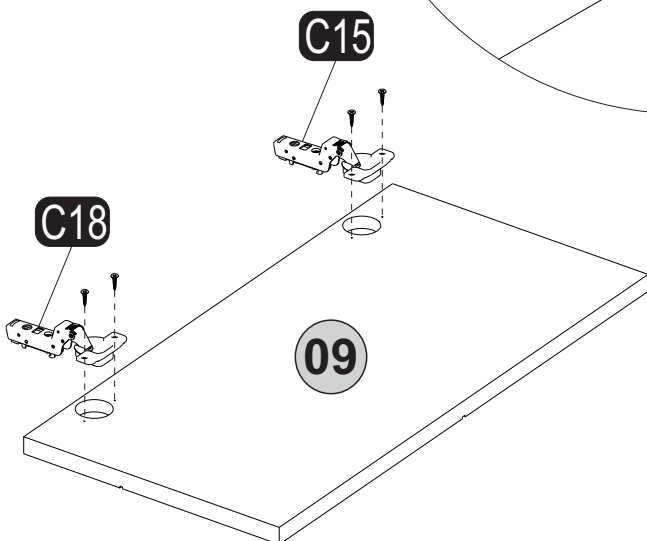
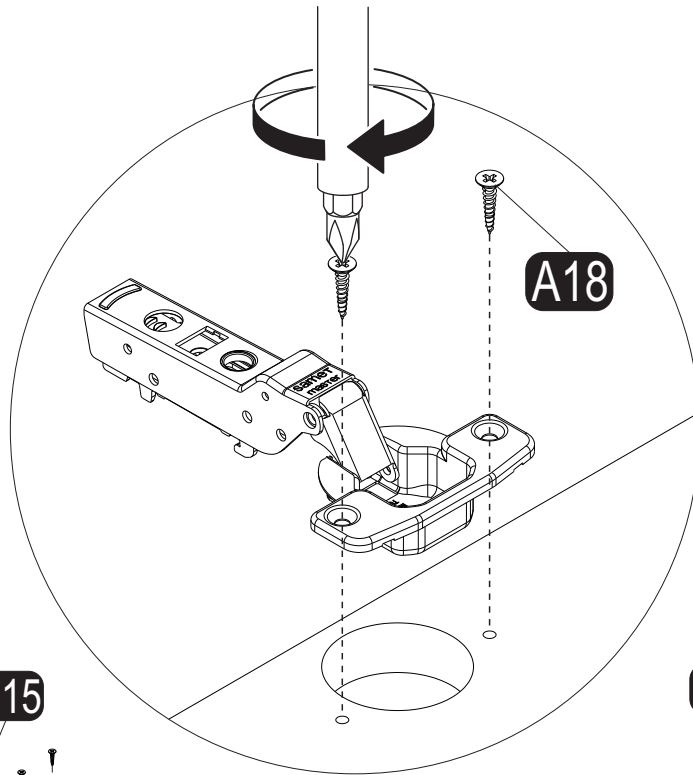
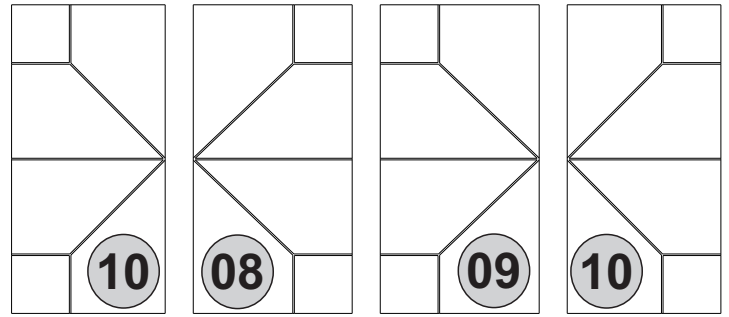
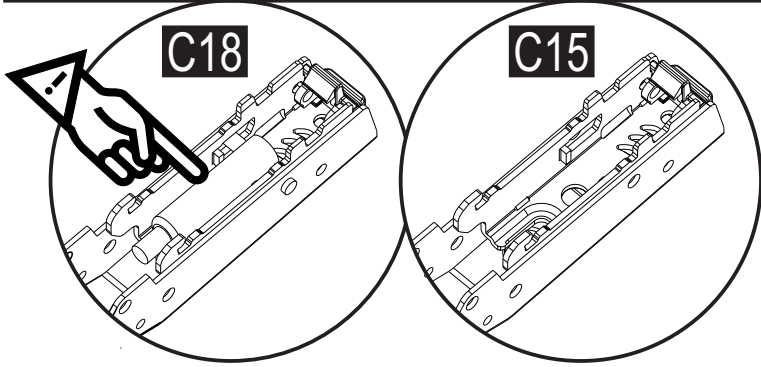
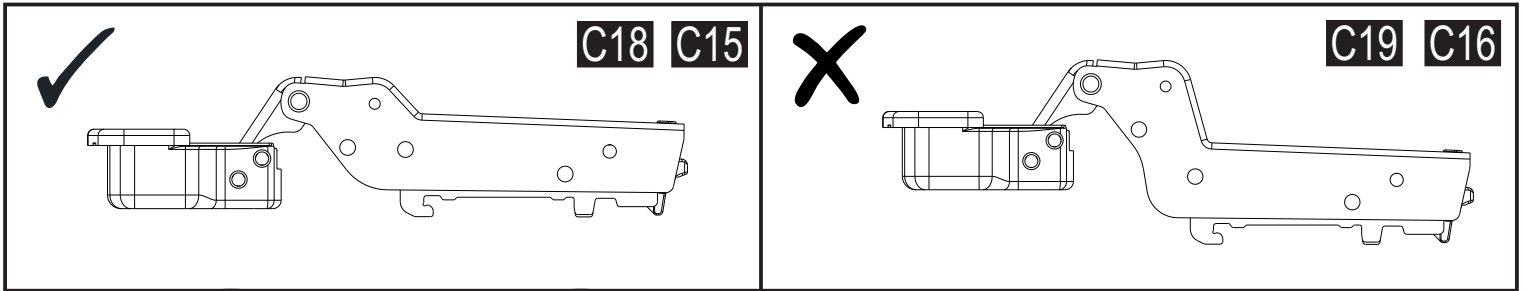
# 13.<sup>step</sup>



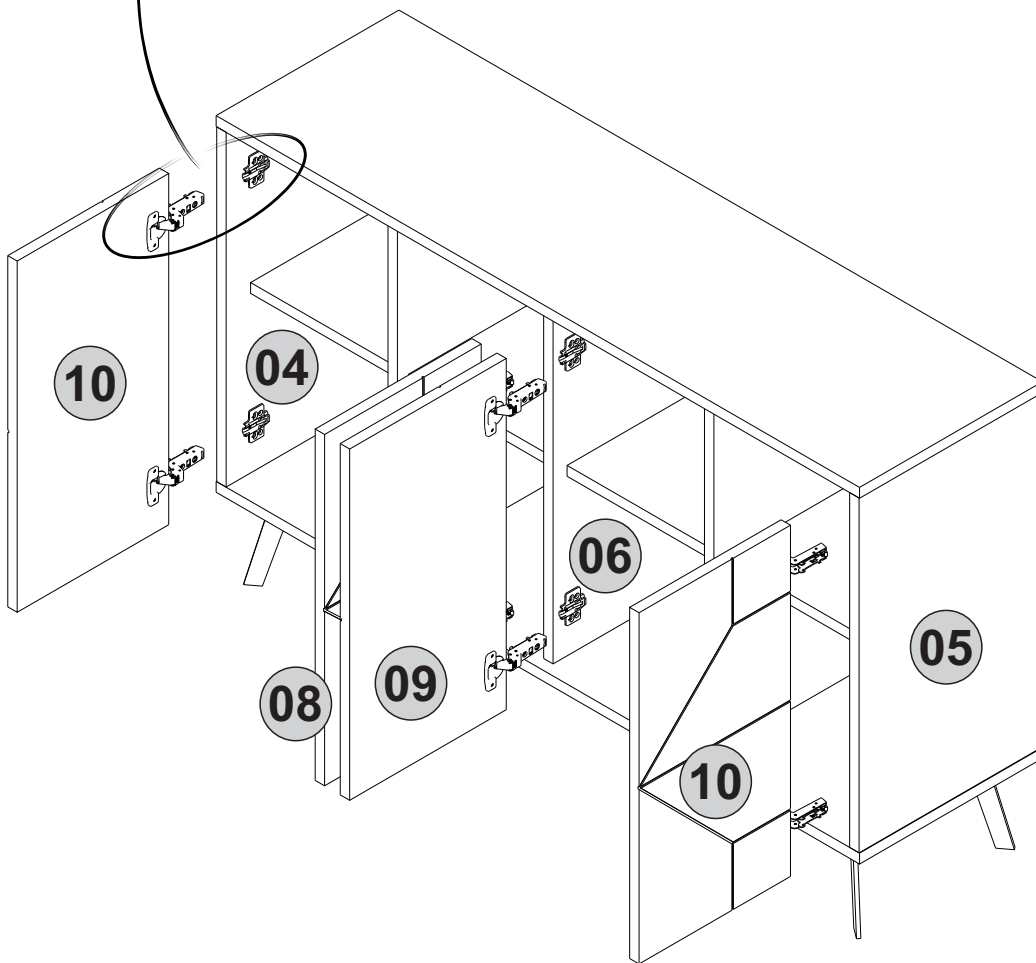
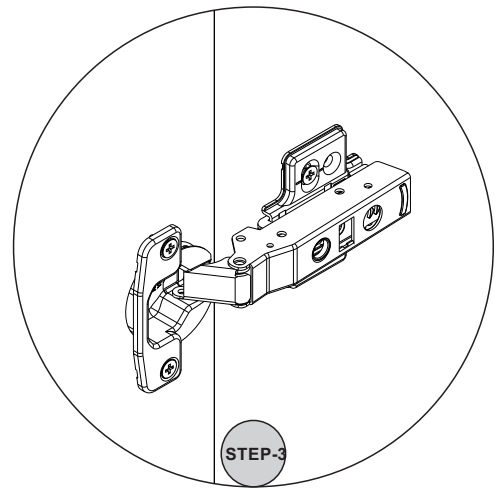
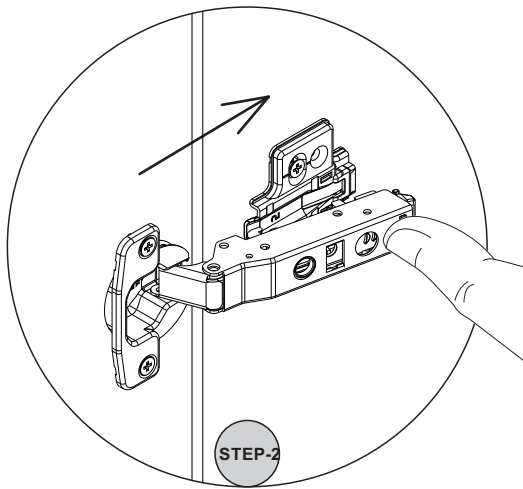
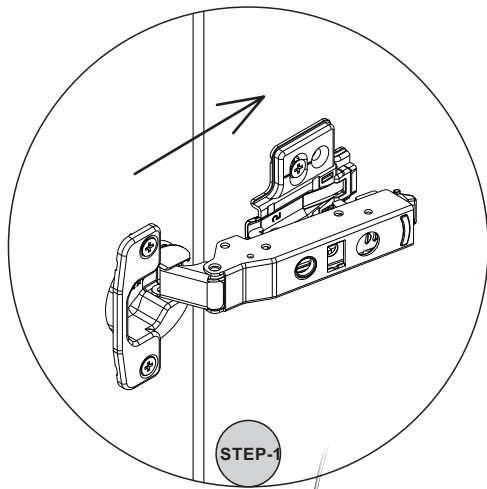
# 14.<sup>step</sup>



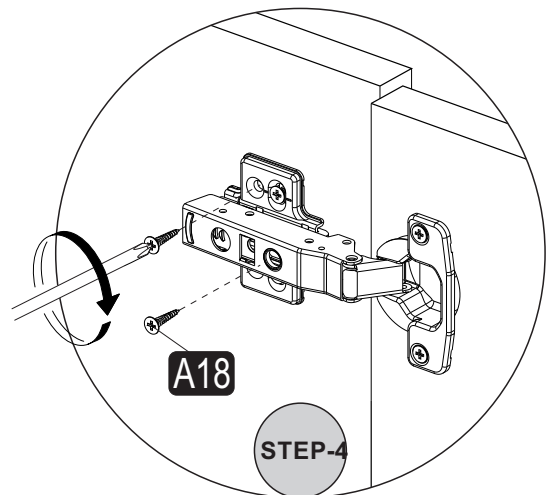
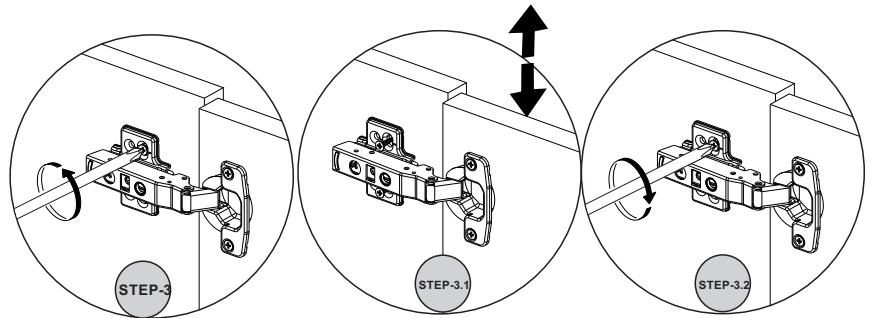
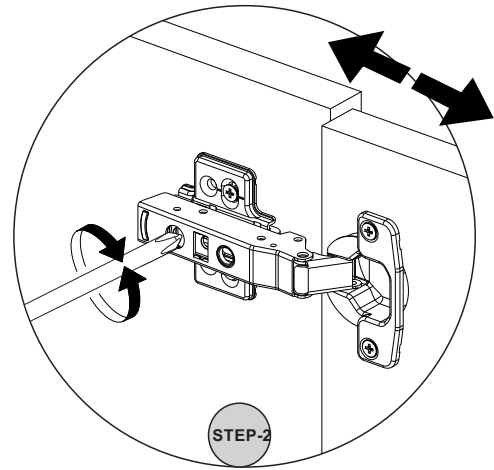
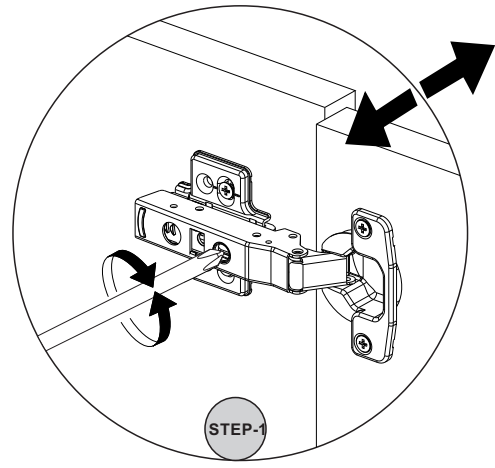
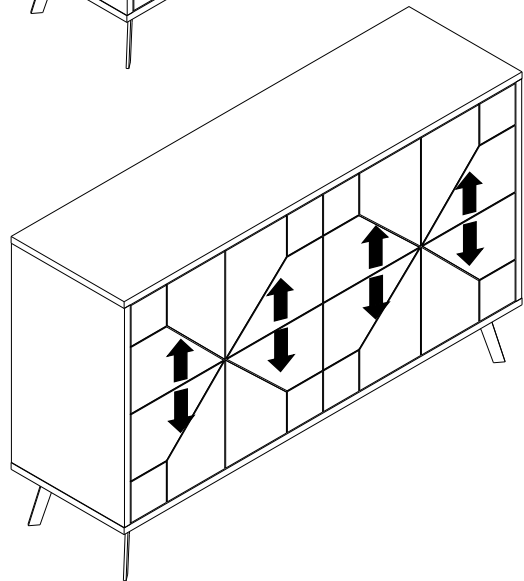
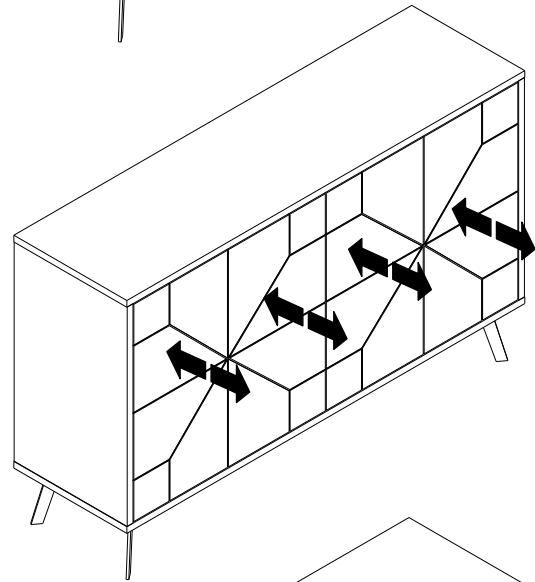
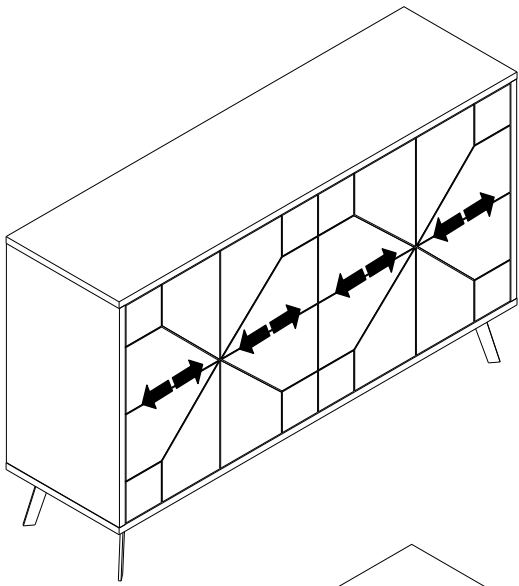
# 15. step



# 16.<sup>step</sup>



# 17. step



# 18. step

