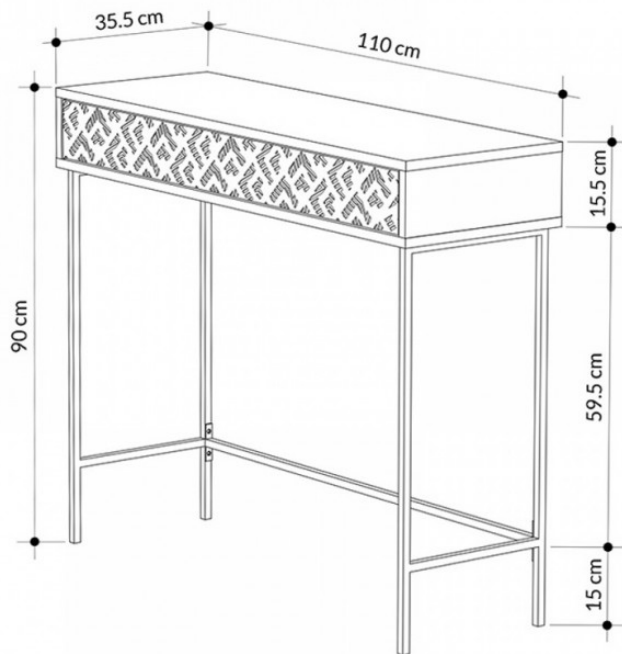
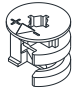



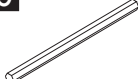





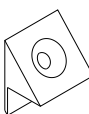
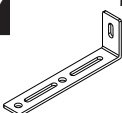



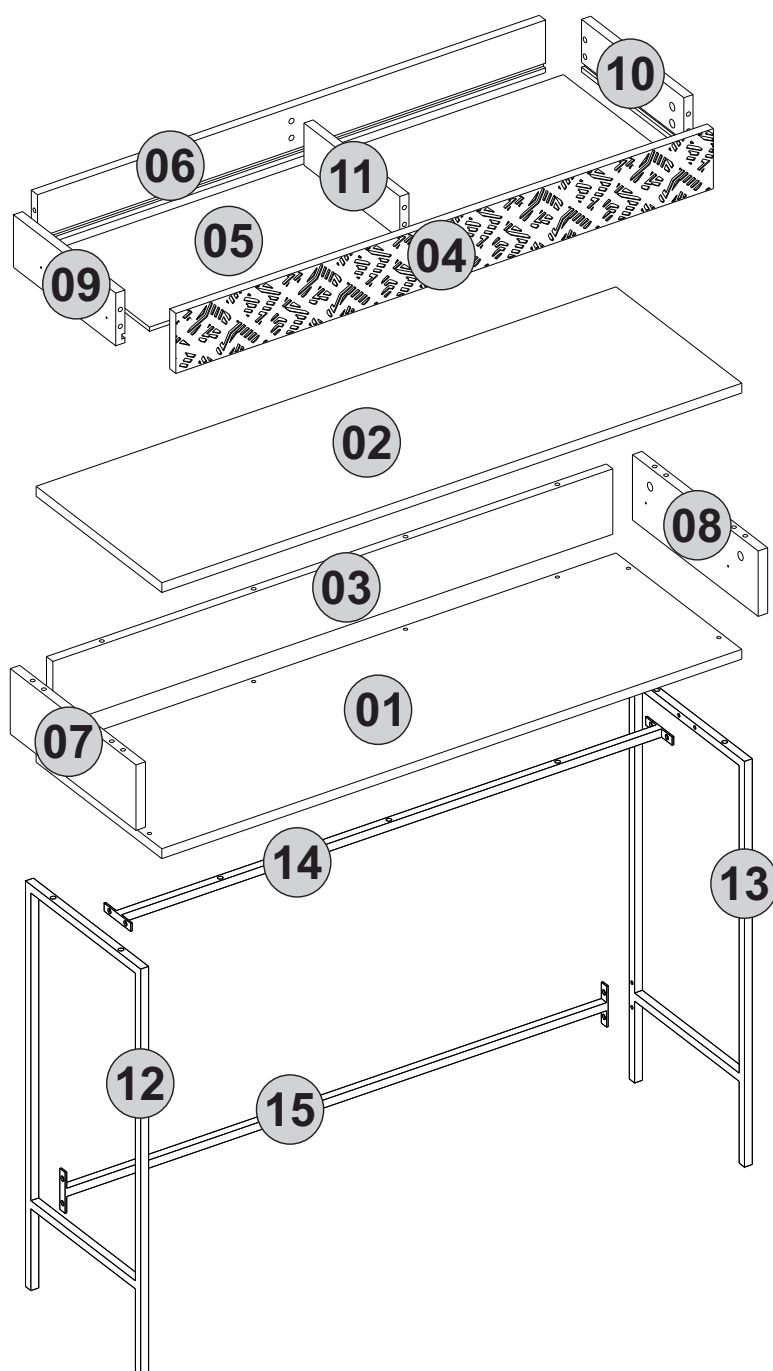




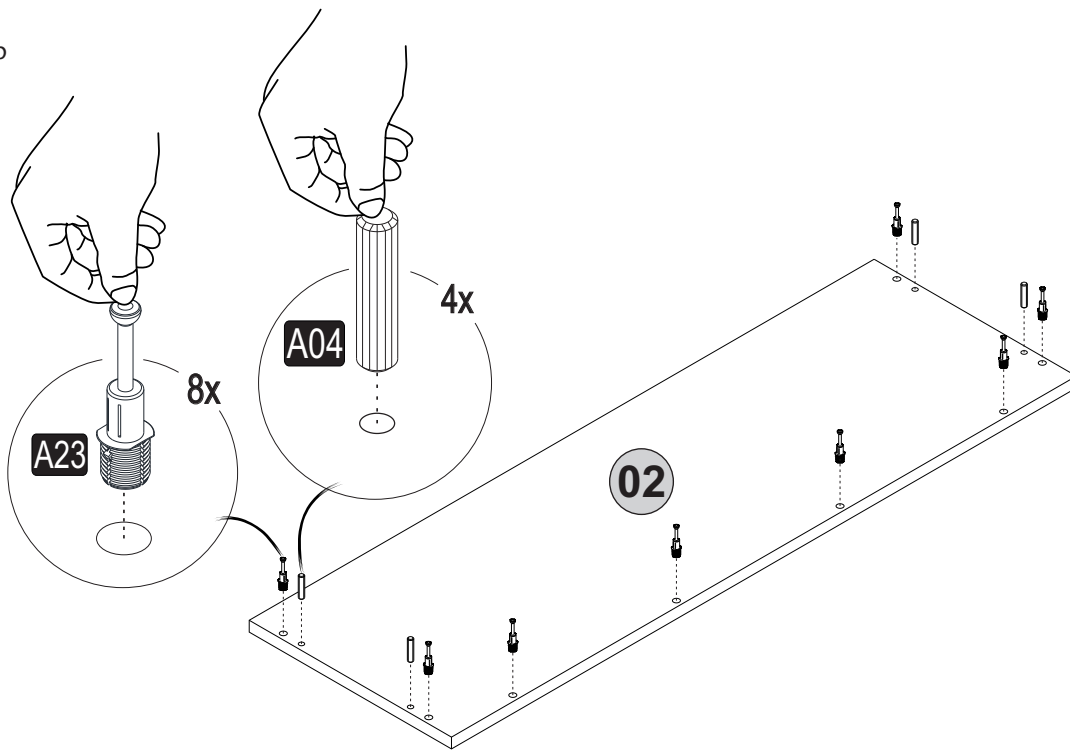
**GP037-0014,4**



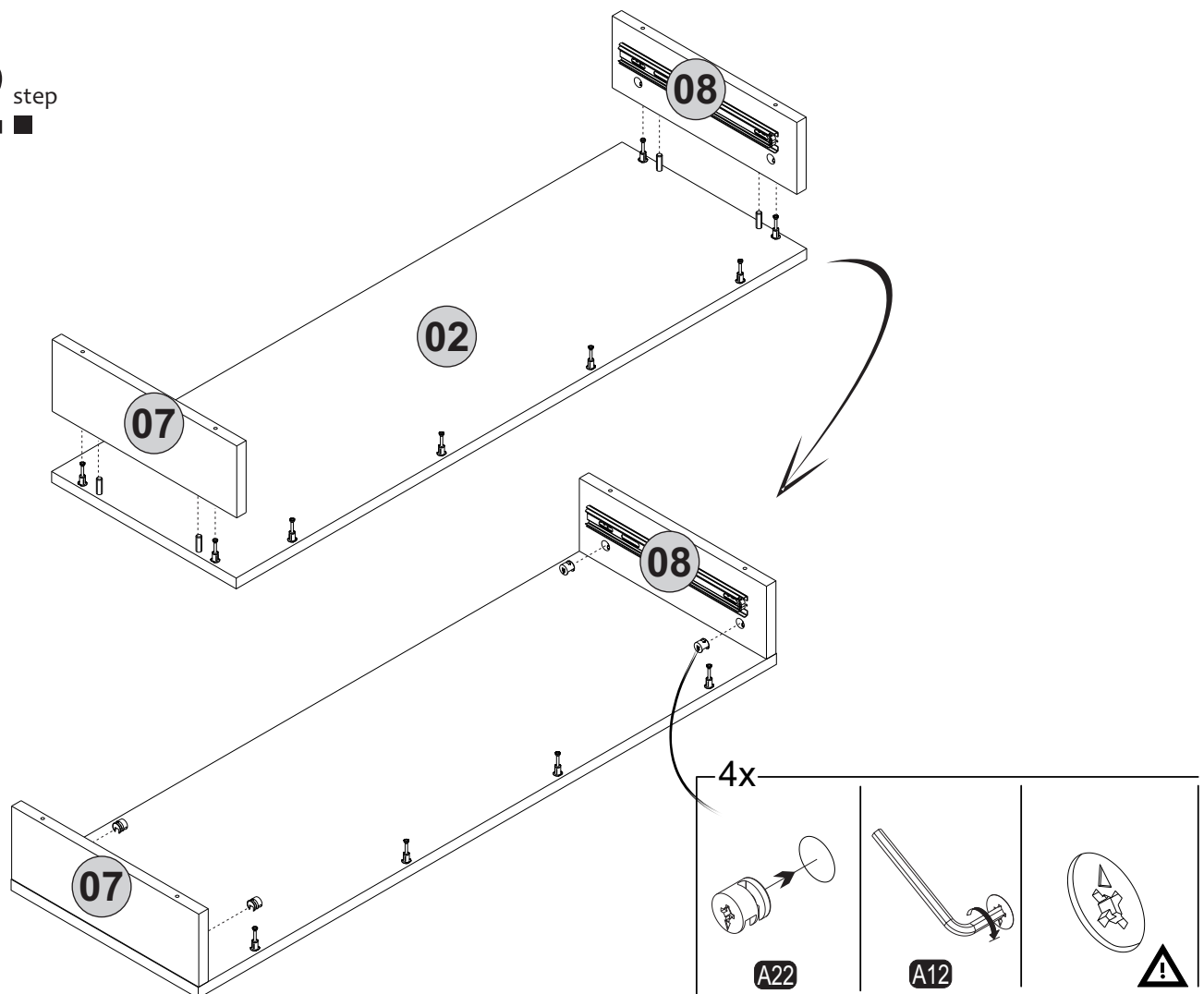
<b>A22</b> Minifix k18  20x	<b>A23</b> Minifix M10  20x	<b>A04</b> Ø8  4x	<b>A12</b> Allen  1x	<b>A26</b> Allen  1x
<b>A13</b> 50mm  8x	<b>A69</b> P.D.  7x	<b>B13</b> 25 (black)mm  7x	<b>B15</b> 15 (black)mm  8x	<b>A06</b> 18mm  C1-28x
<b>A25</b> ARK.PL  10x	<b>A87</b> 15x90x30  1x	<b>A17</b> 4x50  1x	<b>A16</b> DbØ8  1x	<b>A18</b> 3,5x18  12x



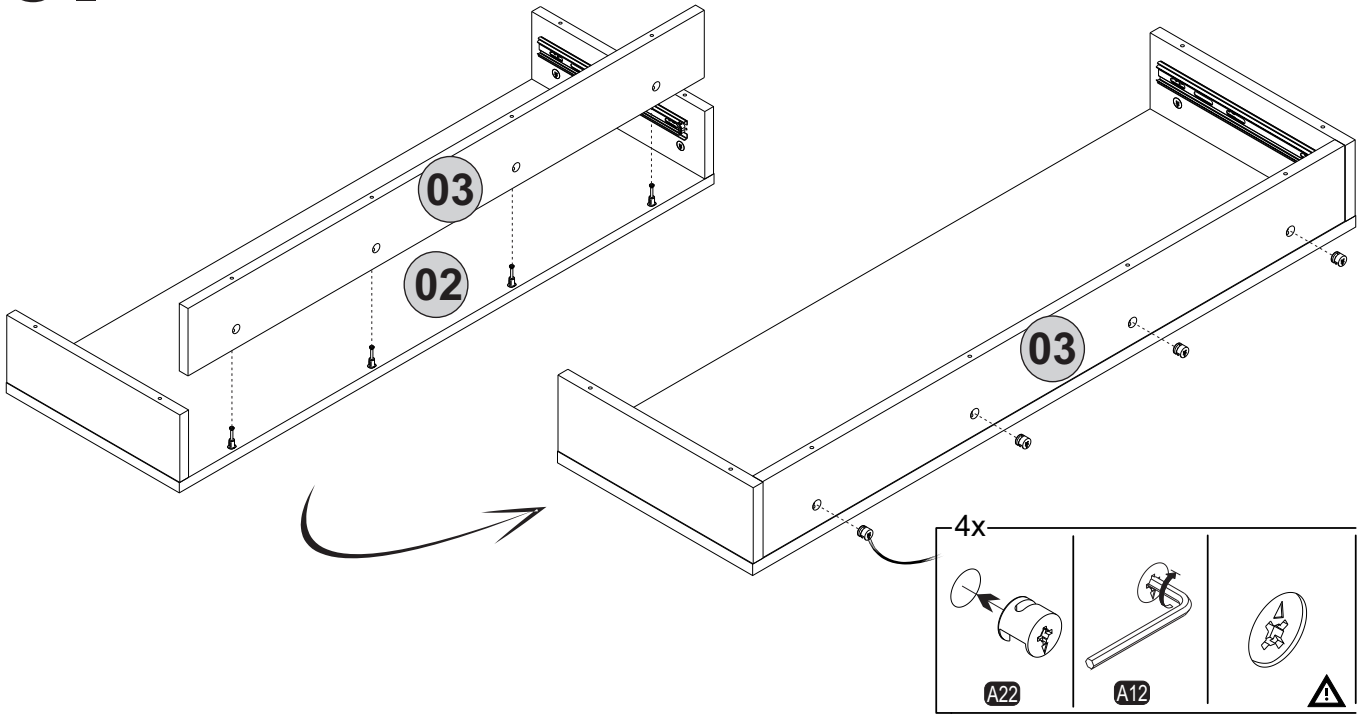
# 1. step



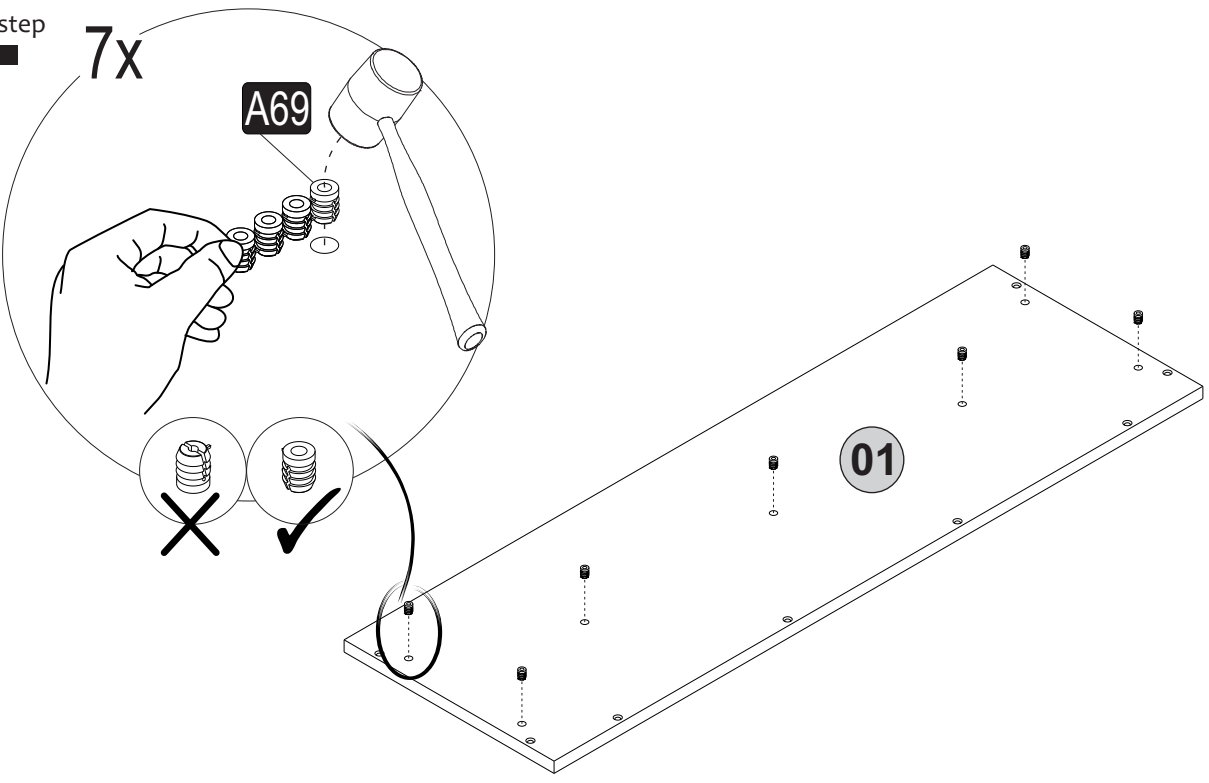
# 2. step



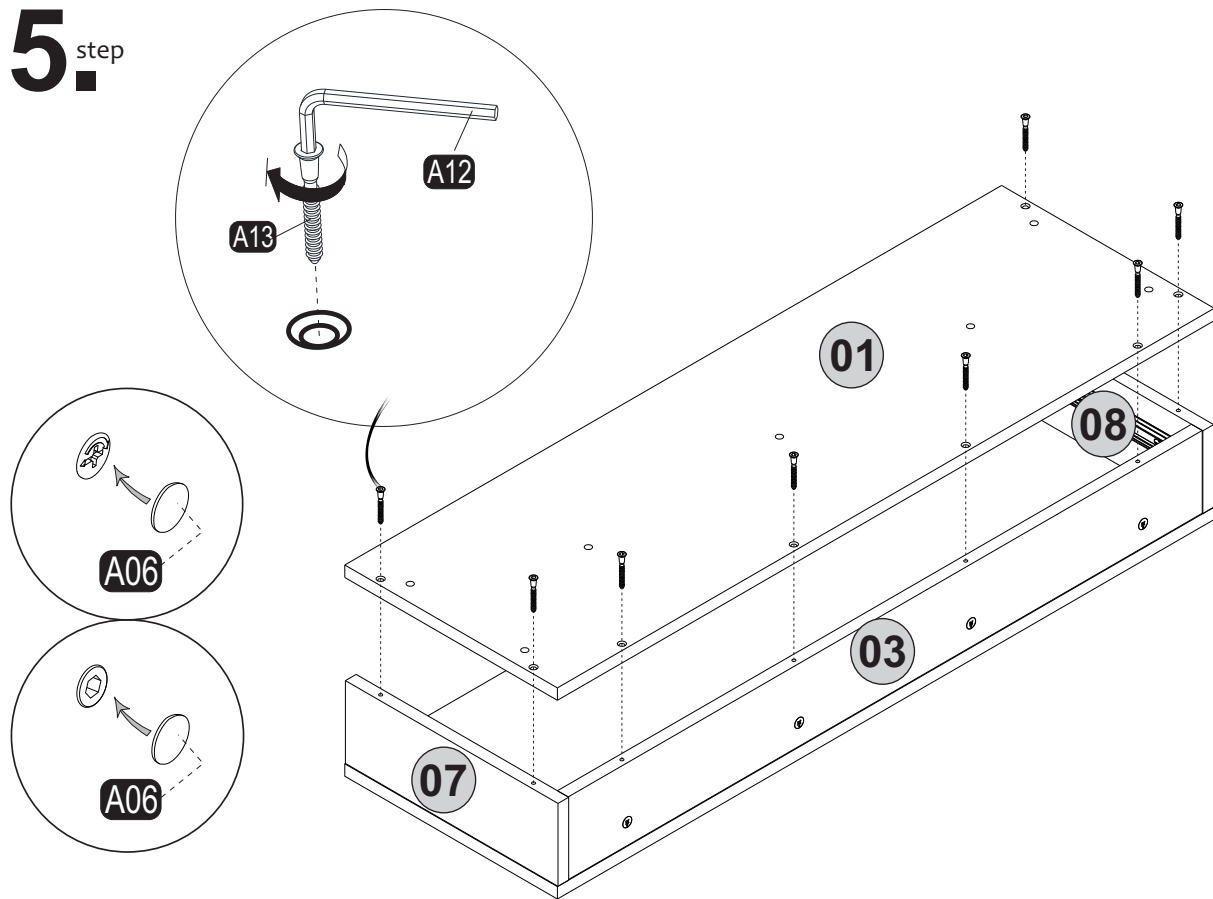
# 3<sup>step</sup>



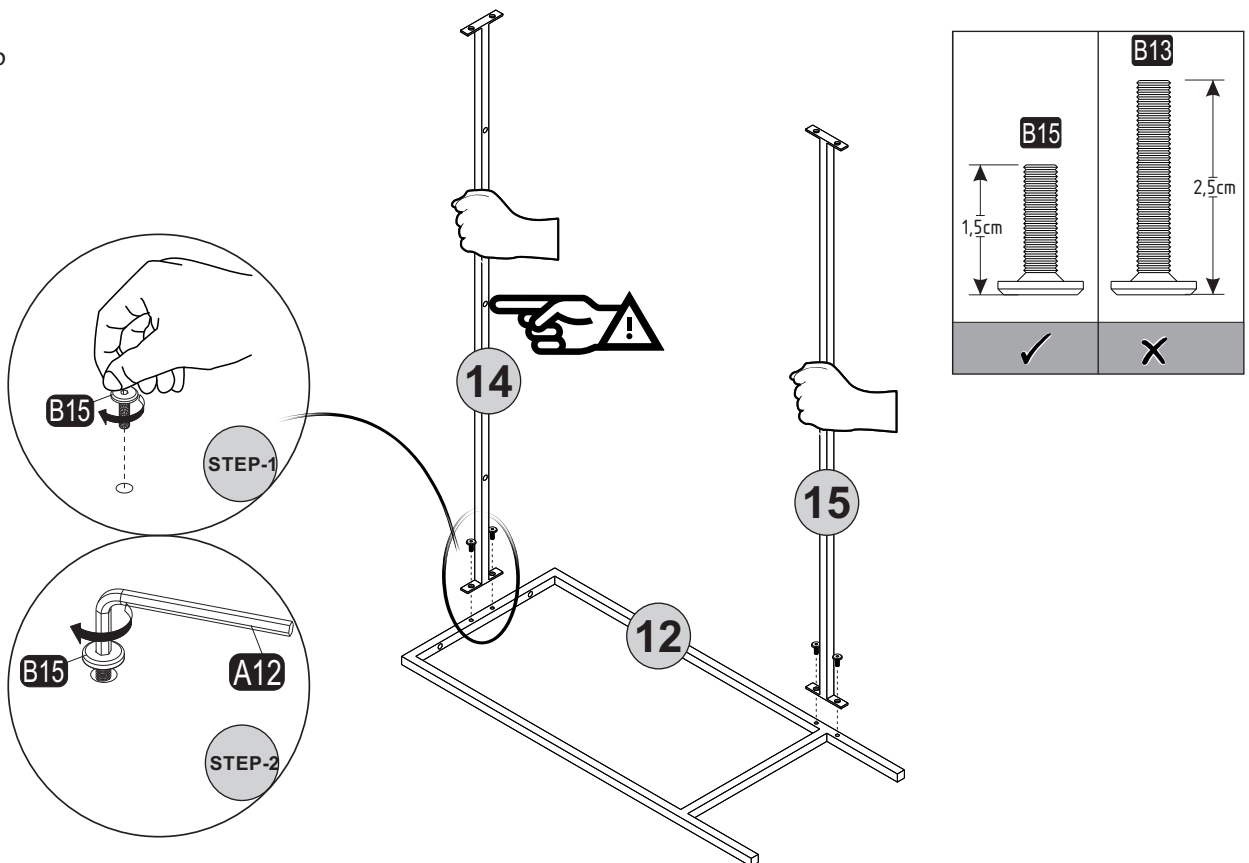
# 4<sup>step</sup>



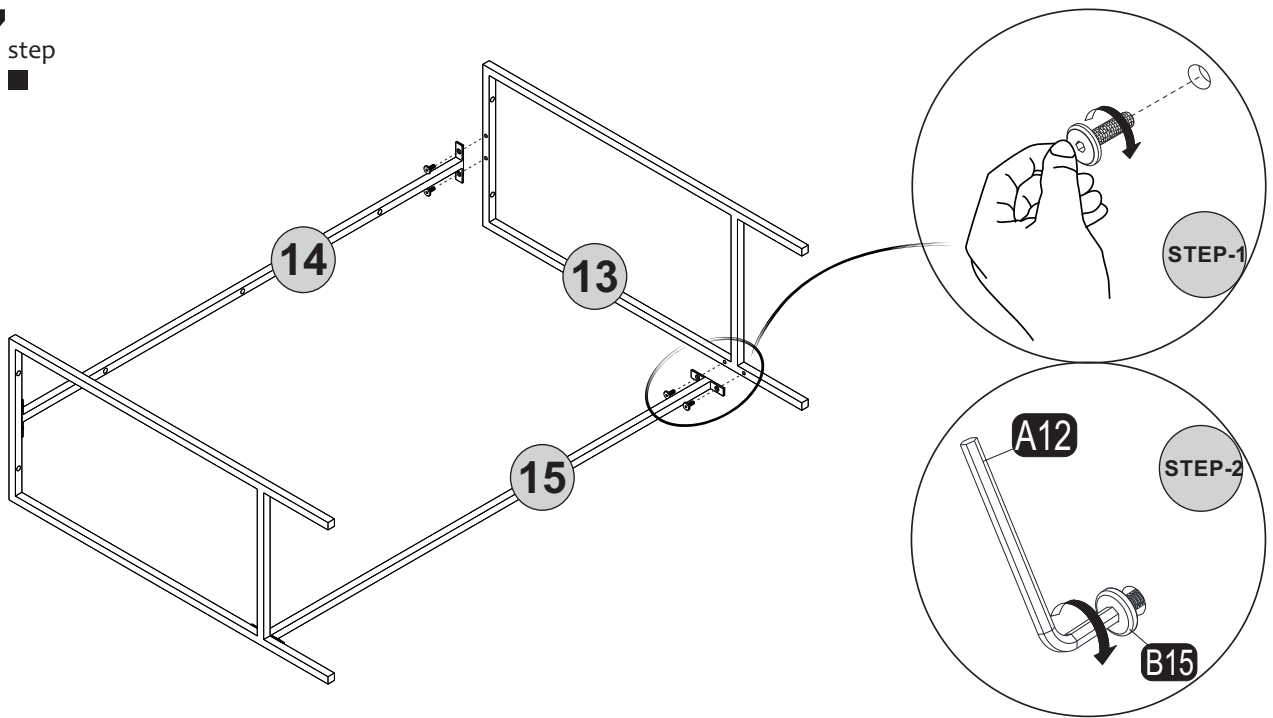
# 5. step



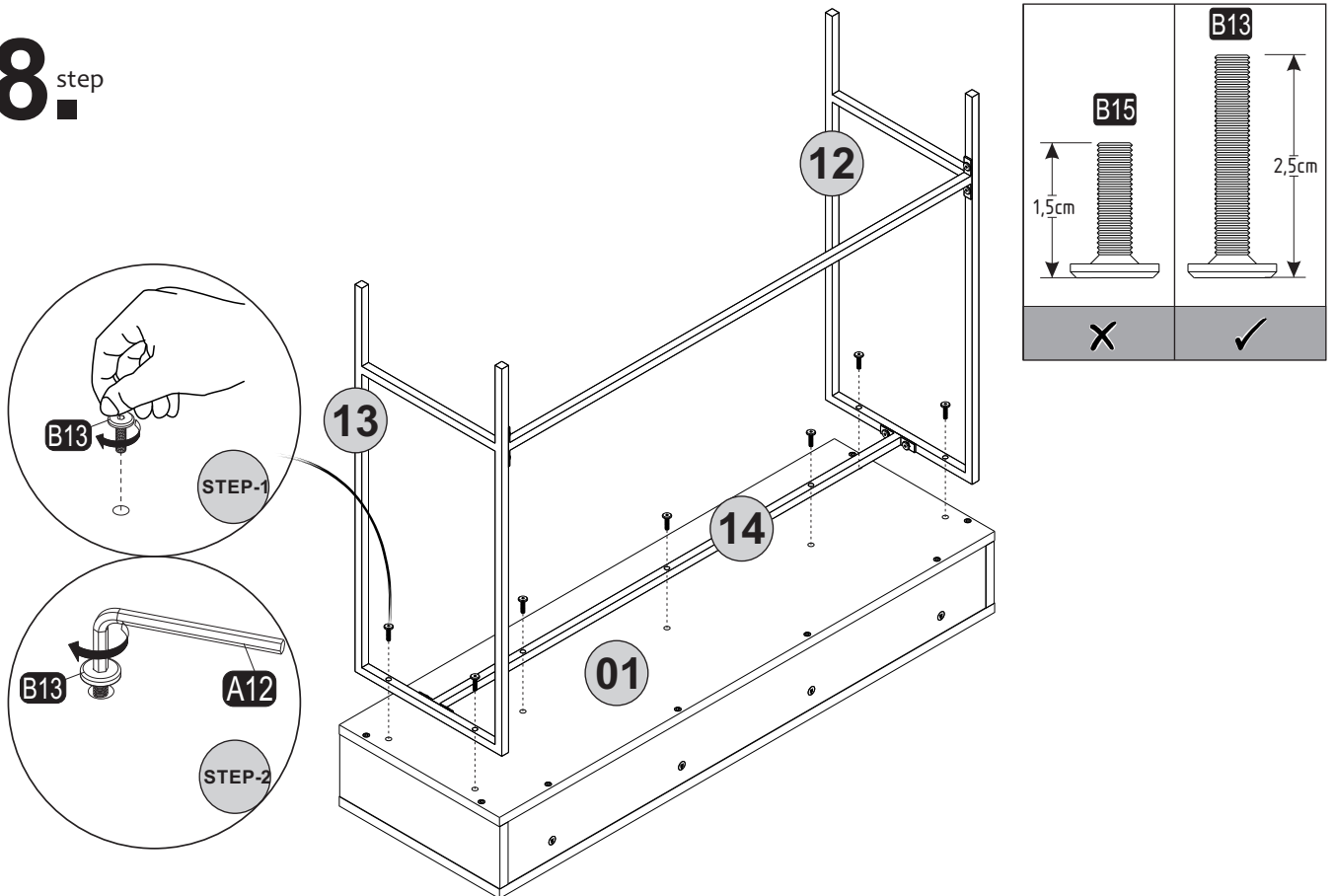
# 6. step



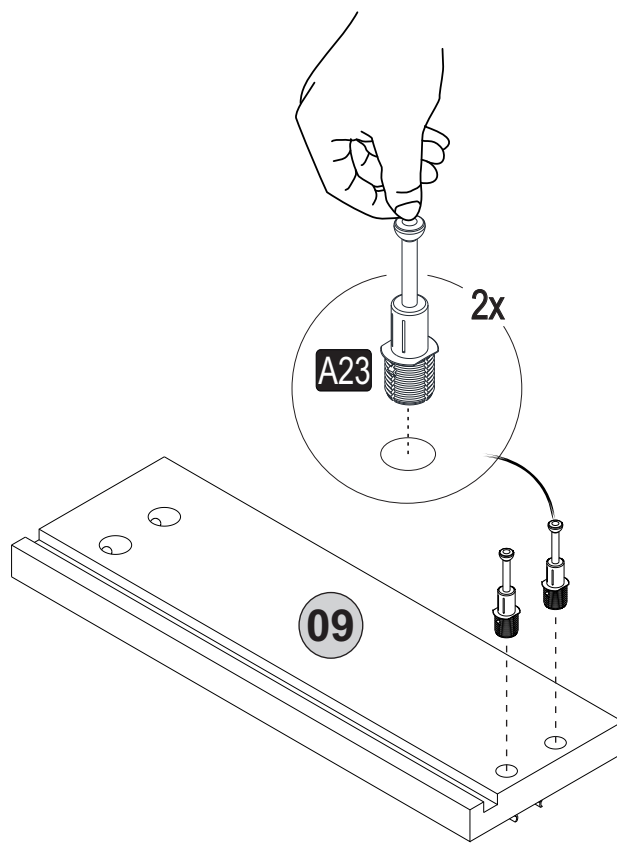
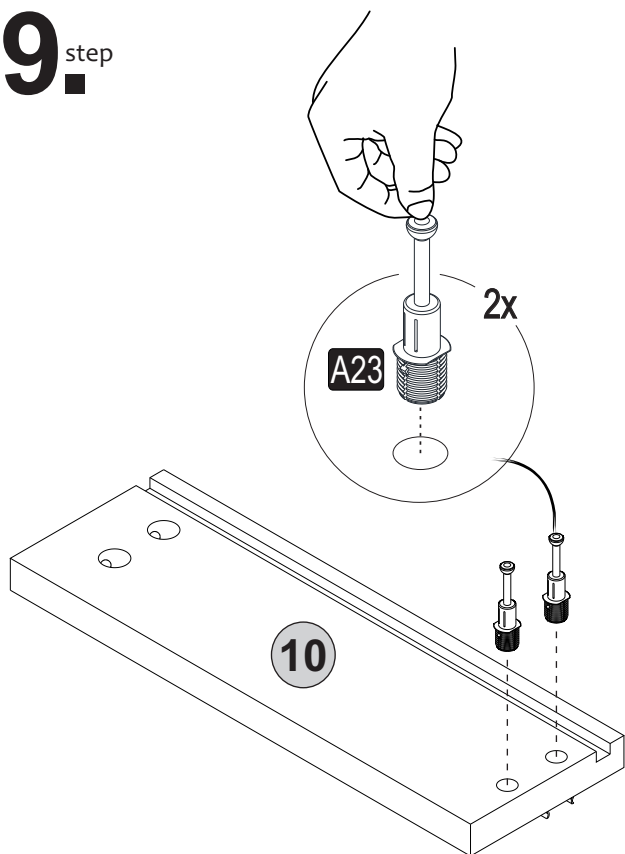
# 7<sup>step</sup>



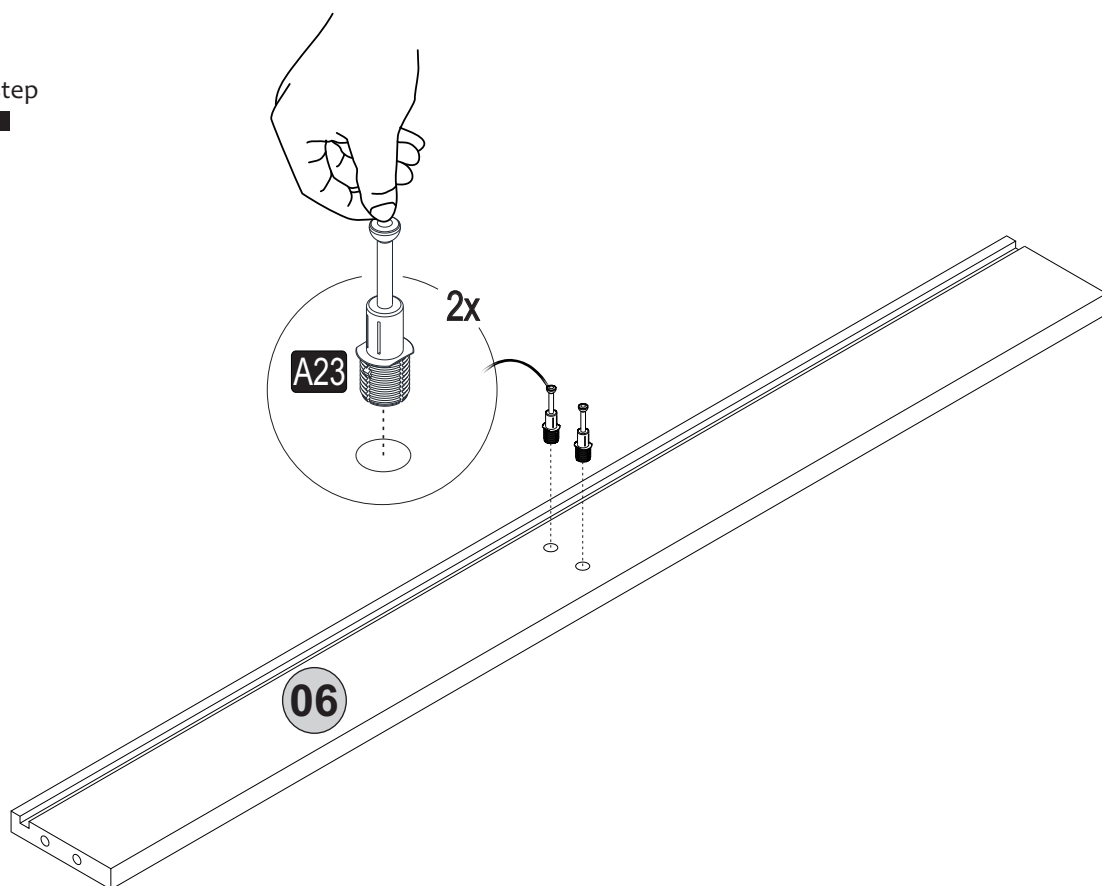
# 8<sup>step</sup>



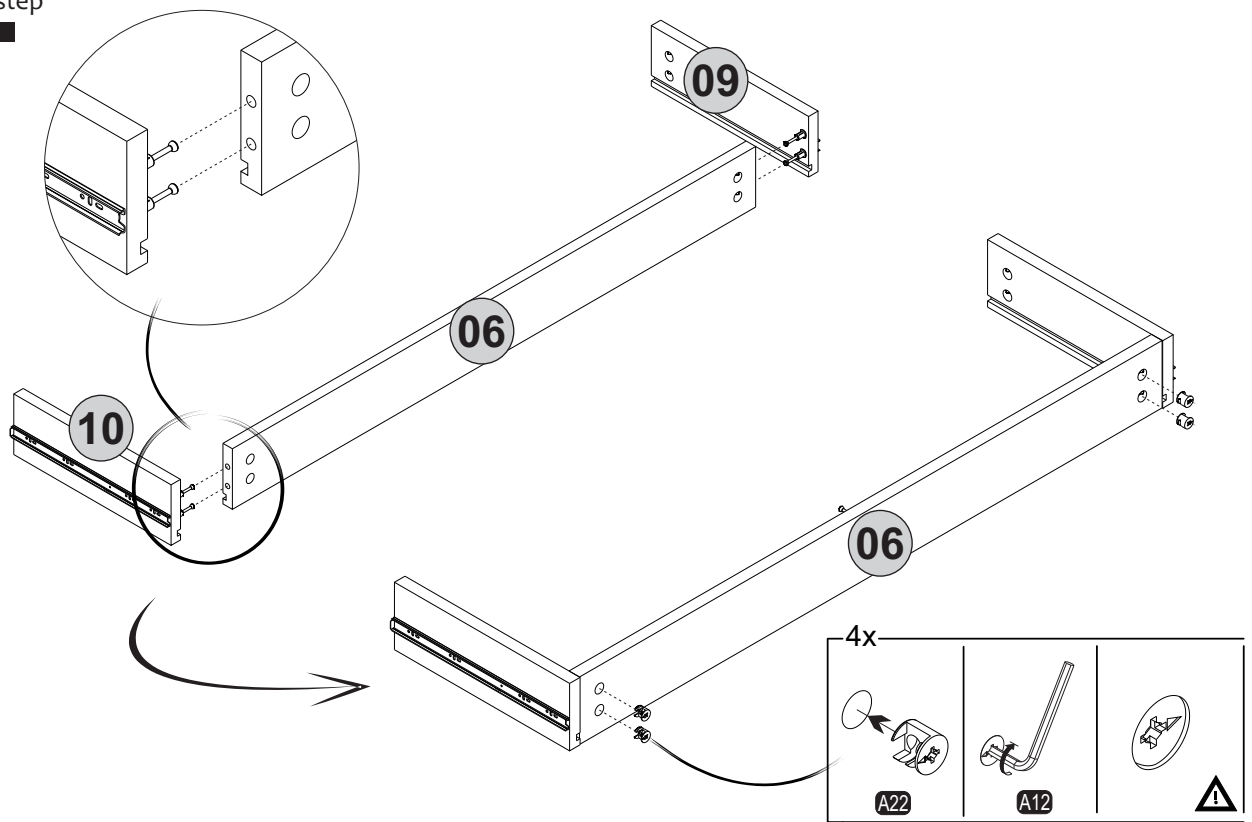
**9.**<sub>step</sub>



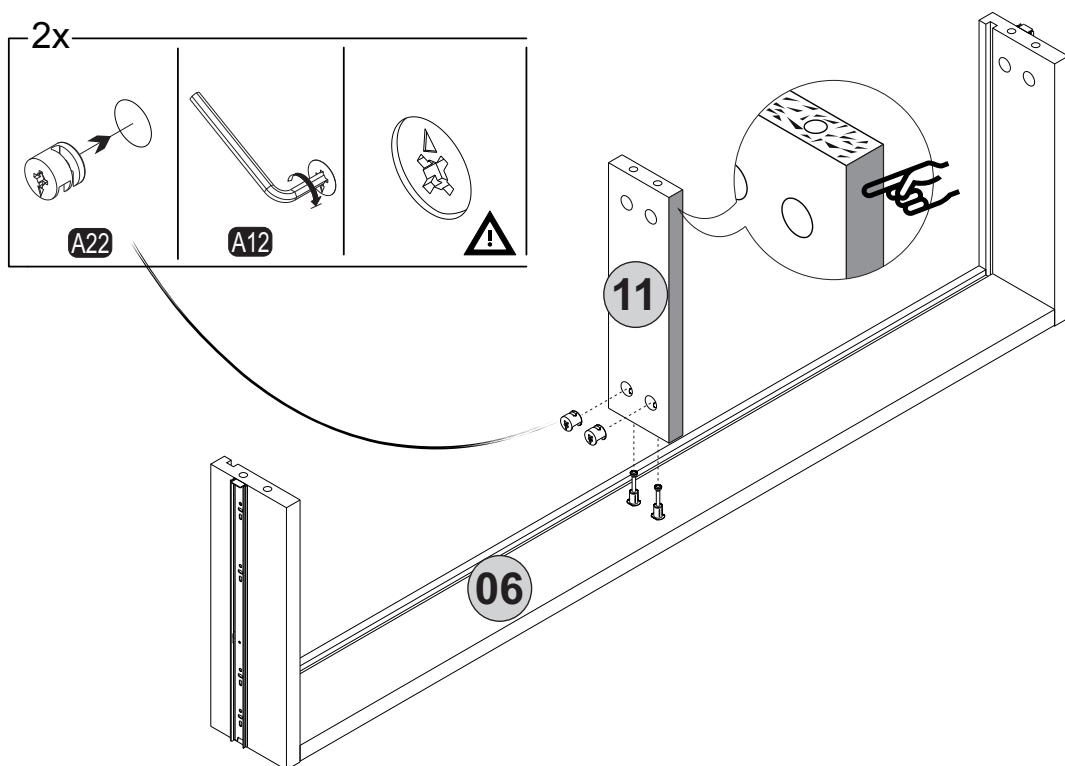
**10.**<sub>step</sub>



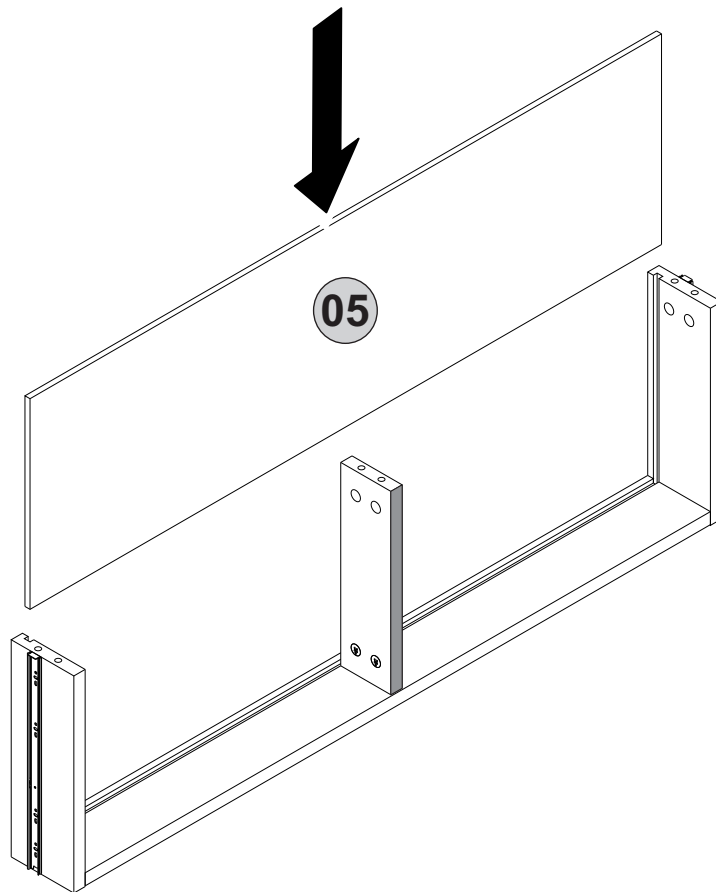
# 11.<sup>step</sup>



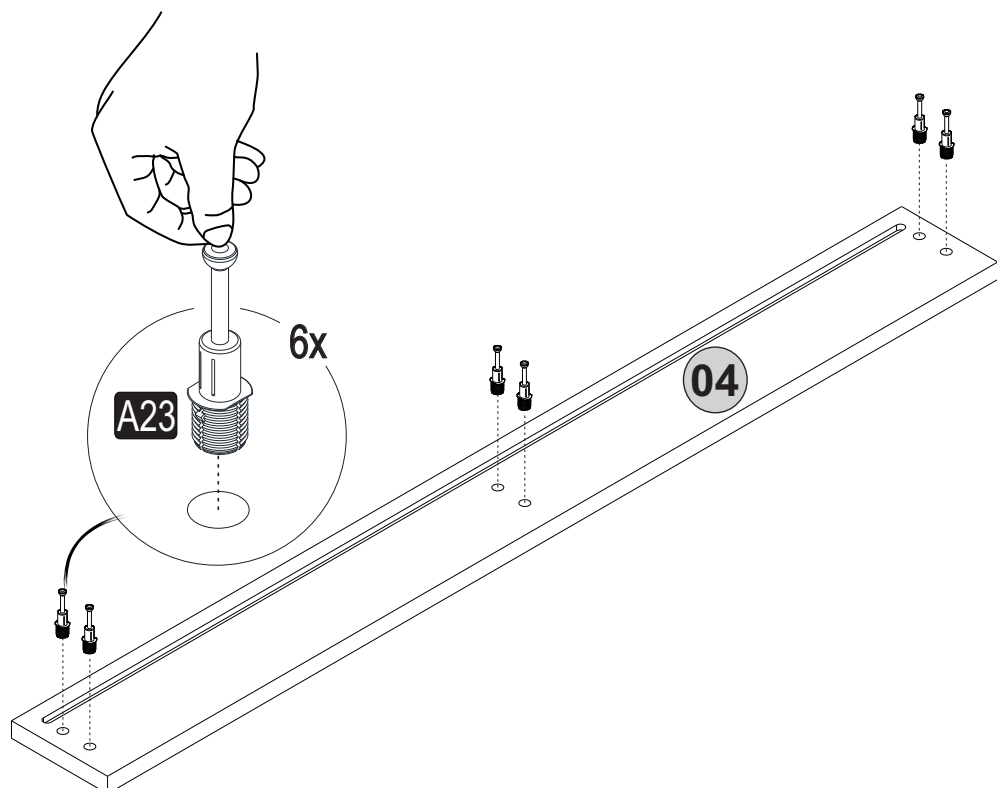
# 12.<sup>step</sup>



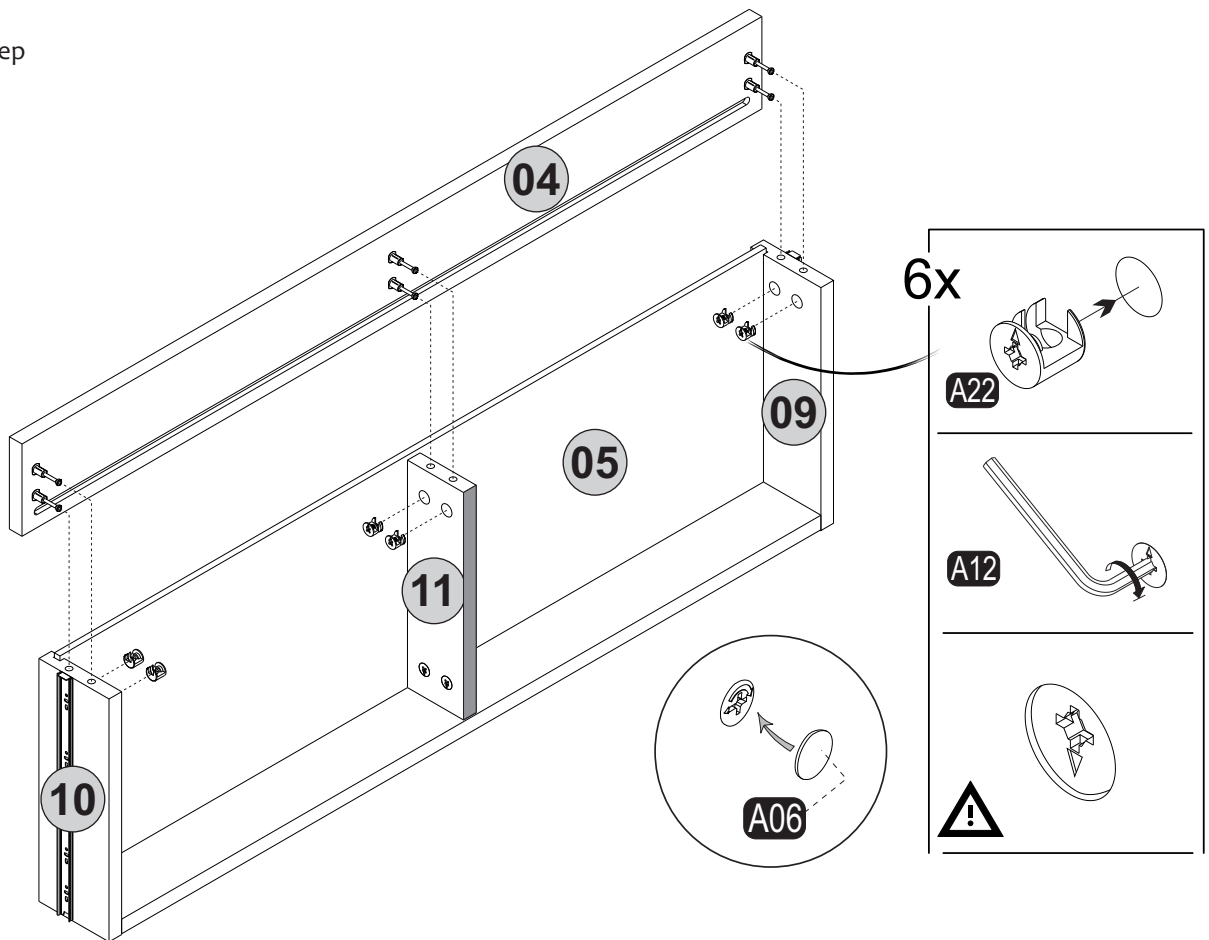
**13.**<sub>step</sub>



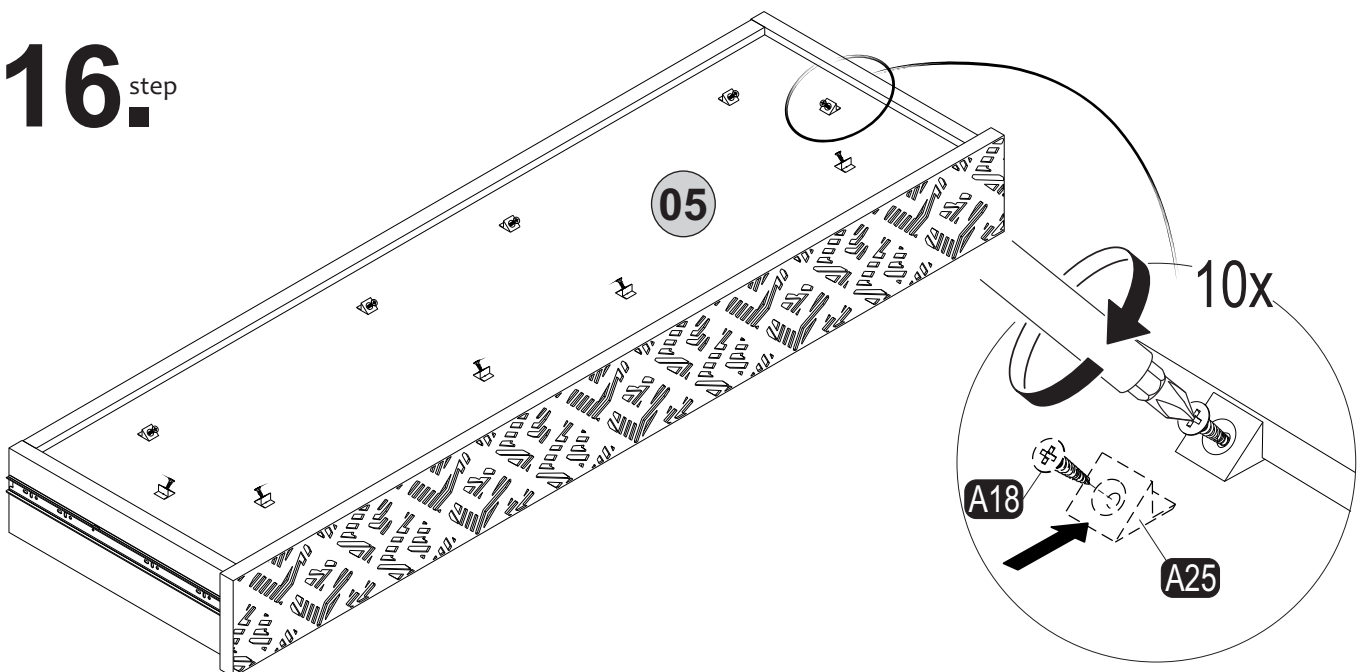
**14.**<sub>step</sub>



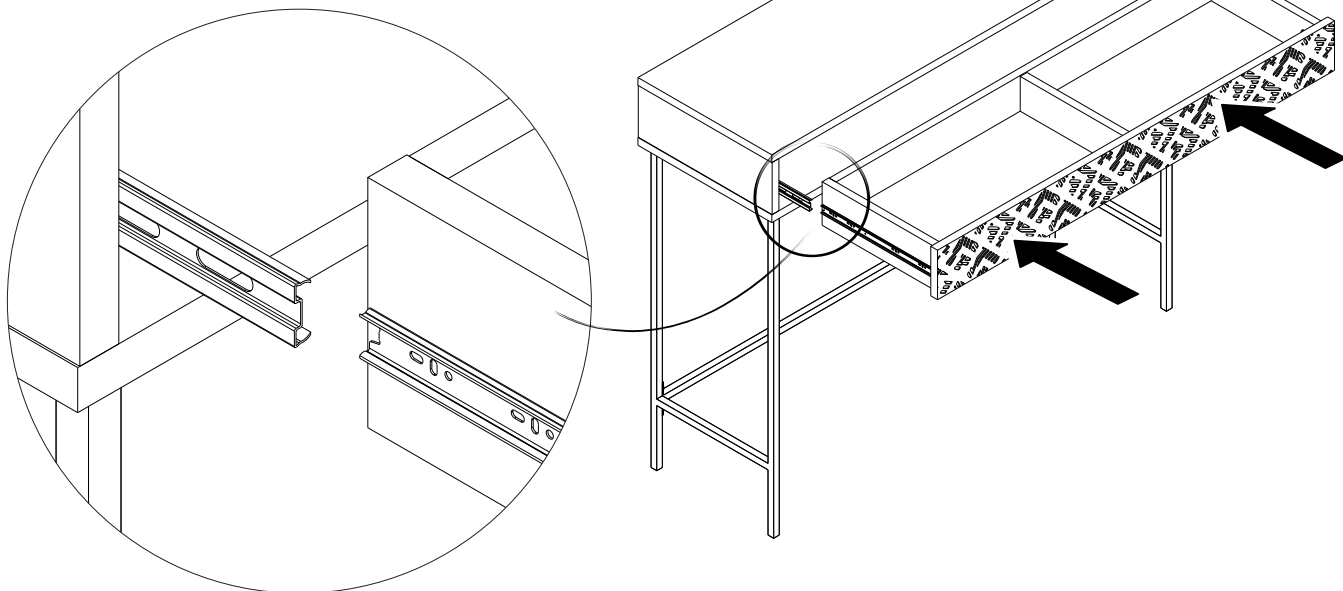
# 15<sup>step</sup>



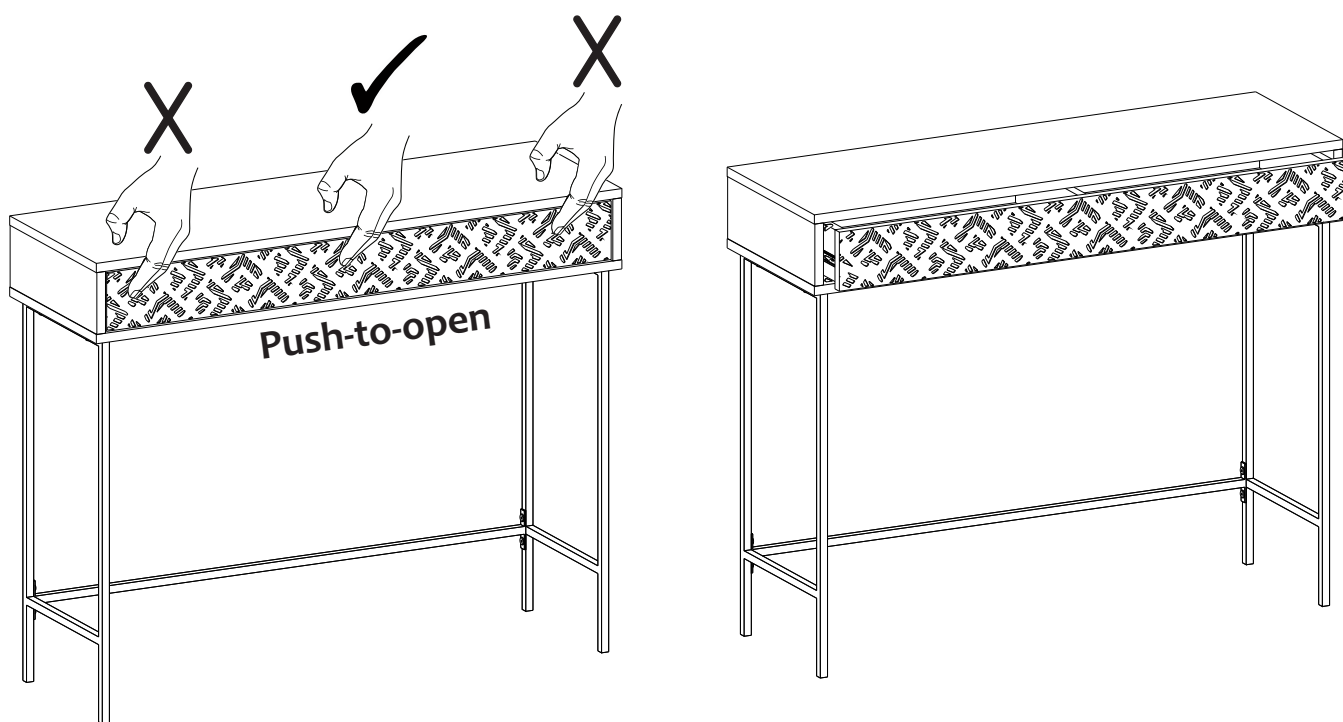
# 16<sup>step</sup>



# 17.<sup>step</sup>



# 18.<sup>step</sup>



# 19. step

