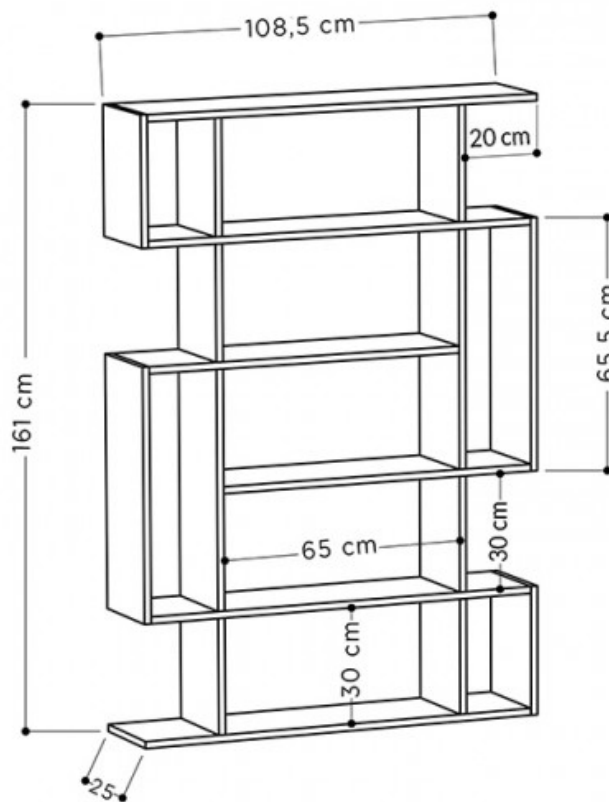
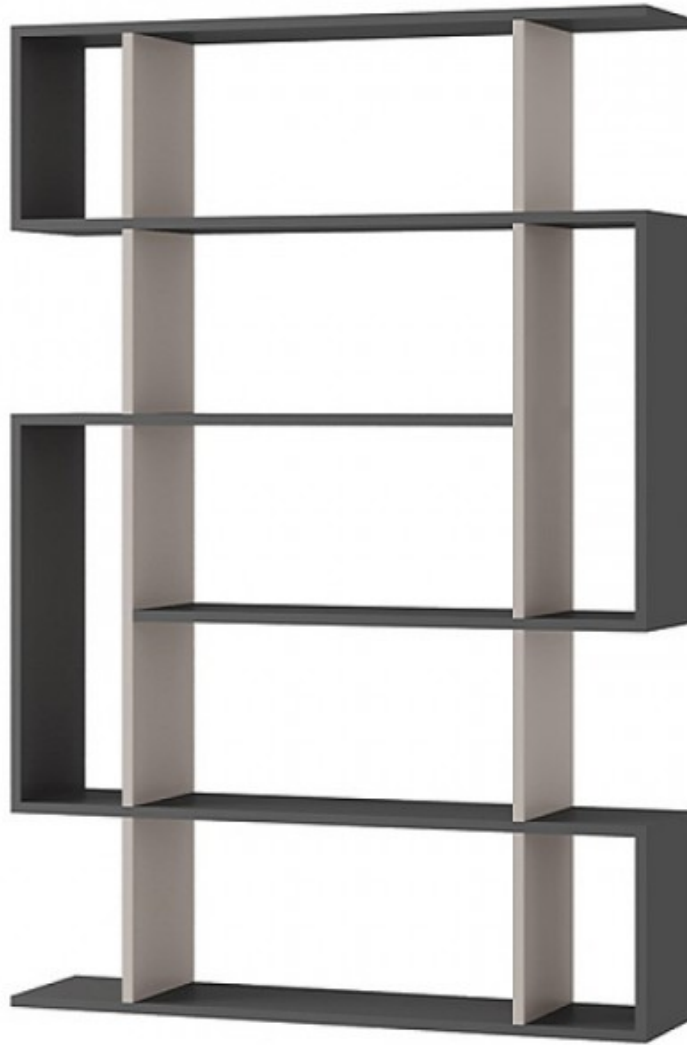



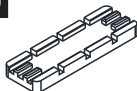
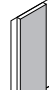



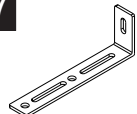
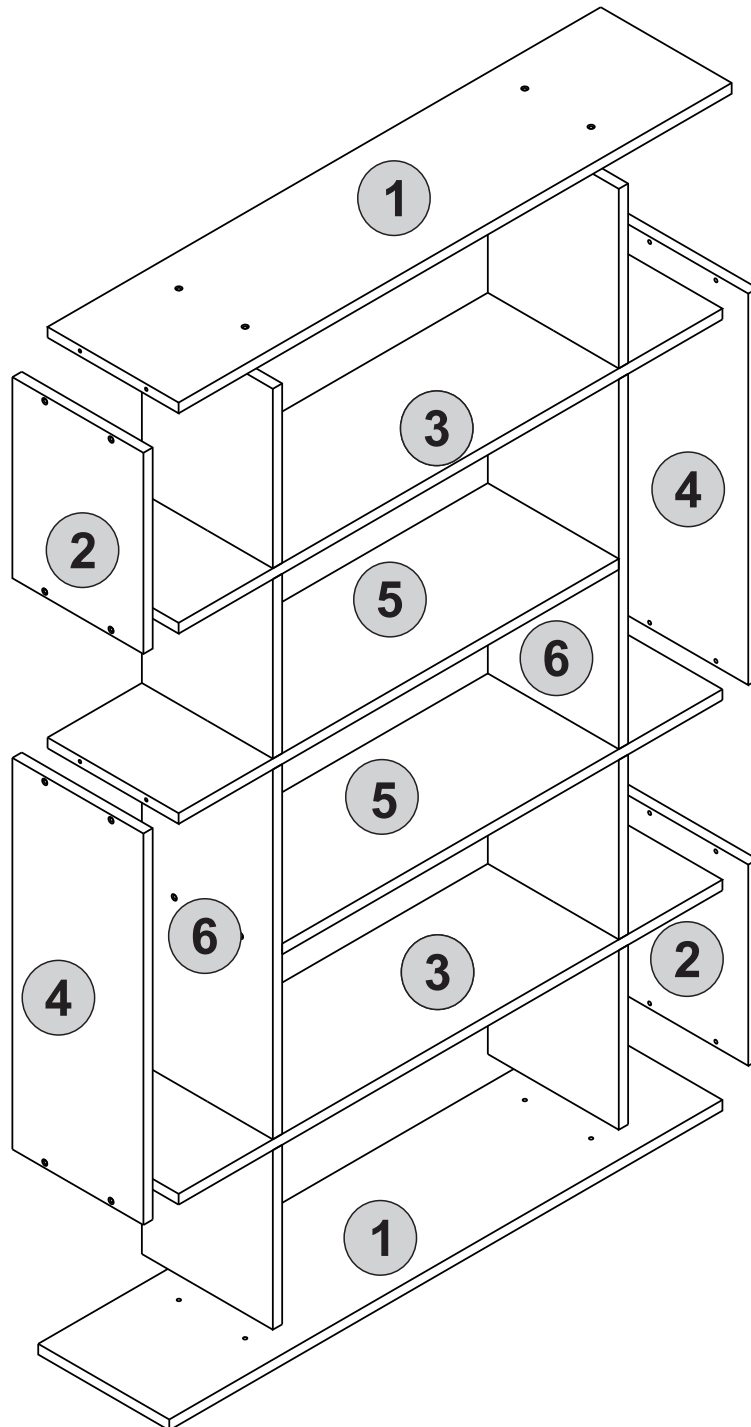




**GP037-0031,2**

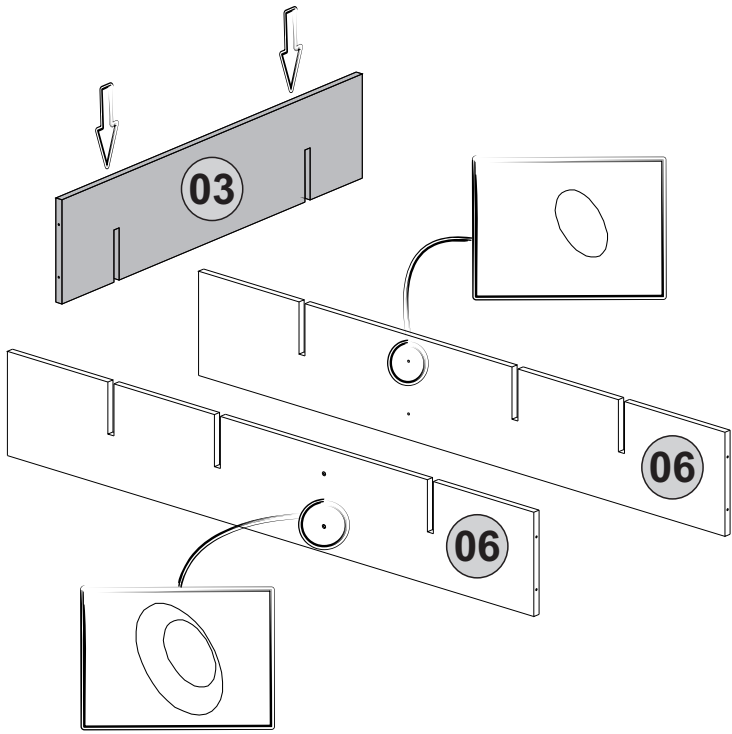


<b>A13</b>  50mm <b>28x</b>	<b>A12</b>  Allen <b>1x</b>	<b>A06</b>  18mm C1-24x C2-4x	<b>A08</b>  5mm <b>4x</b>	<b>Y03</b>  Ctpb <b>4x</b>
<b>A17</b>  4x50 <b>1x</b>	<b>A16</b>  DbØ8 <b>1x</b>	<b>A18</b>  3,5x18 <b>2x</b>	<b>A87</b>  15x90x30 <b>1x</b>	

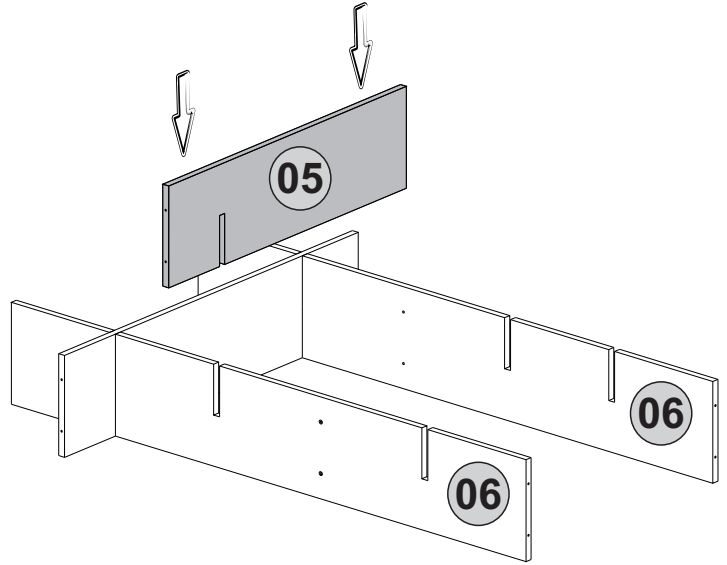


# 1 step

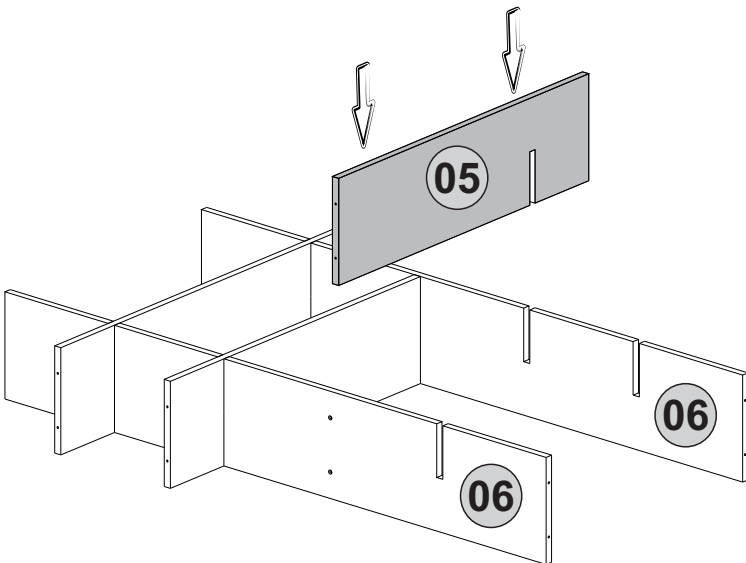
1.a



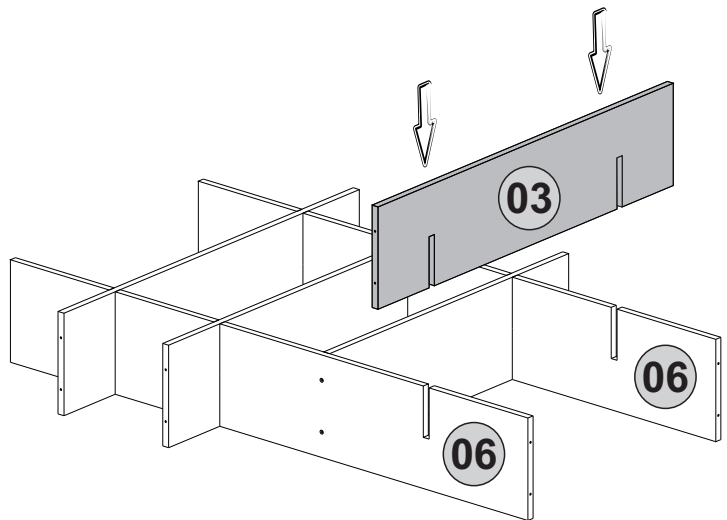
2.a



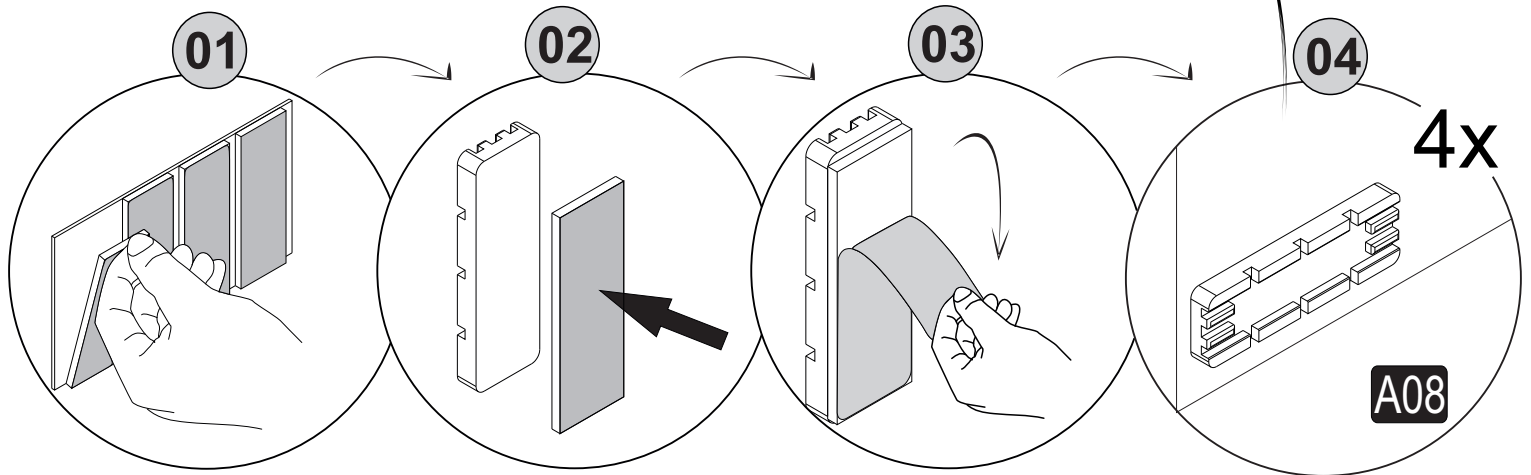
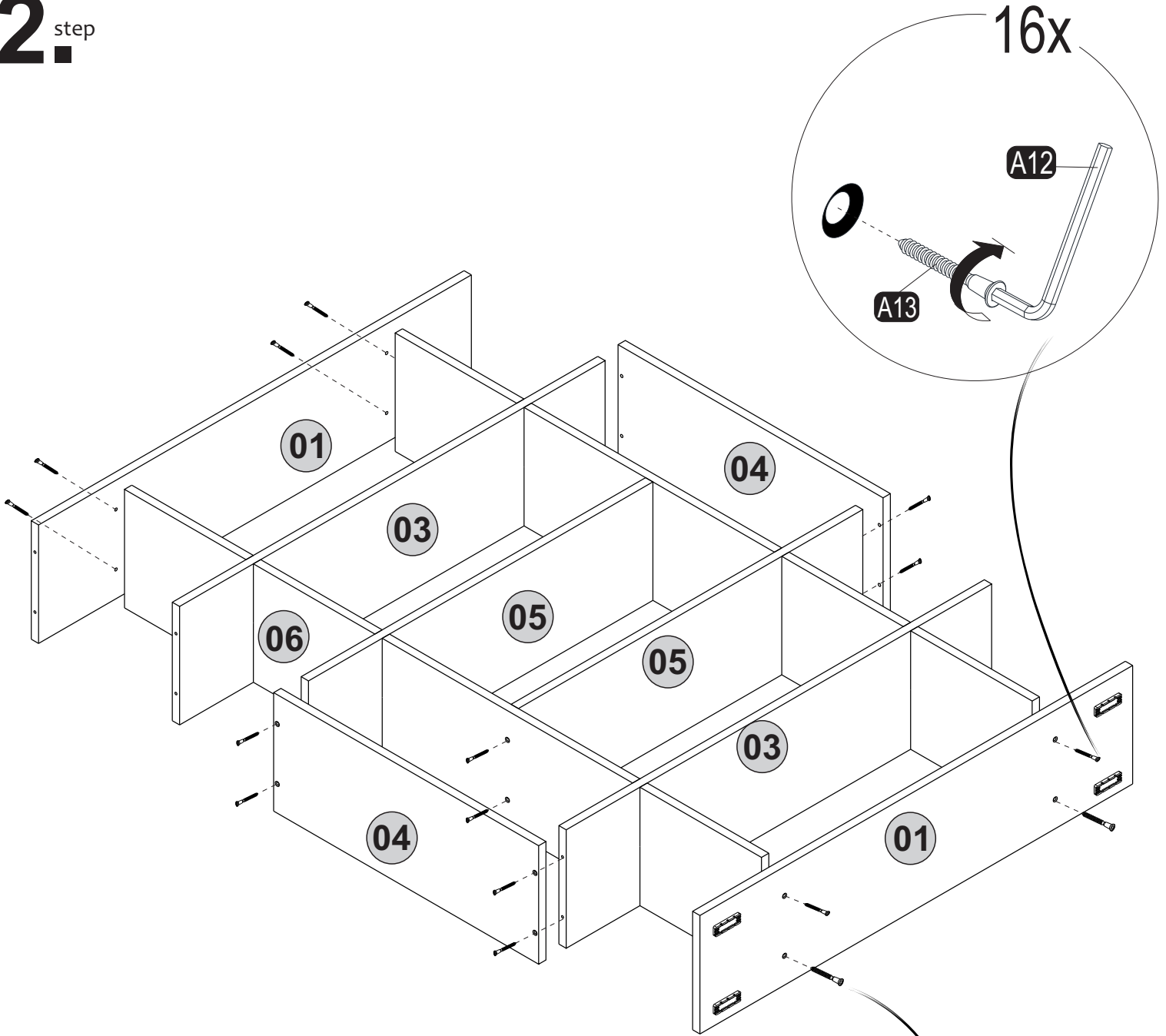
3.a



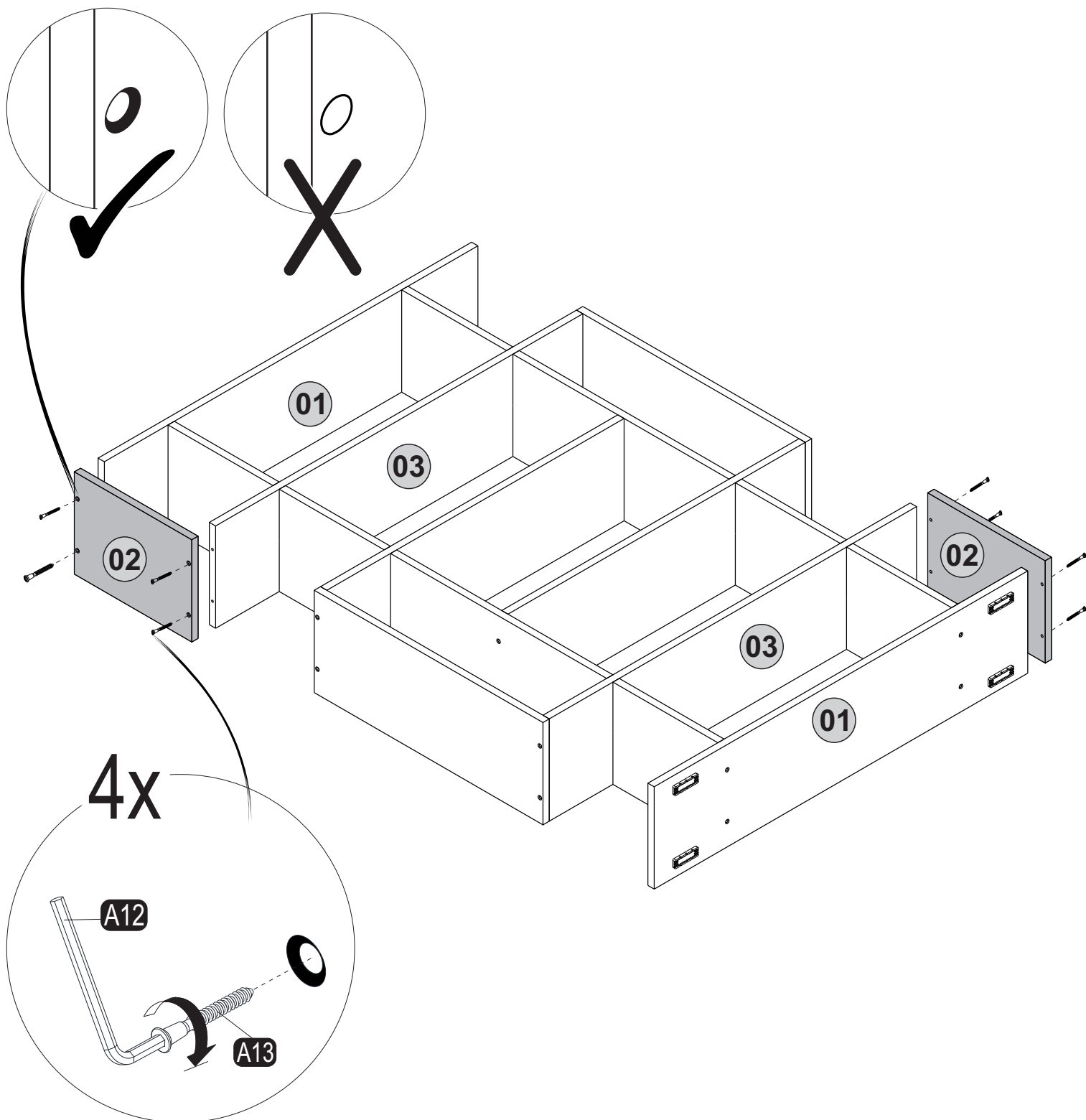
4.a



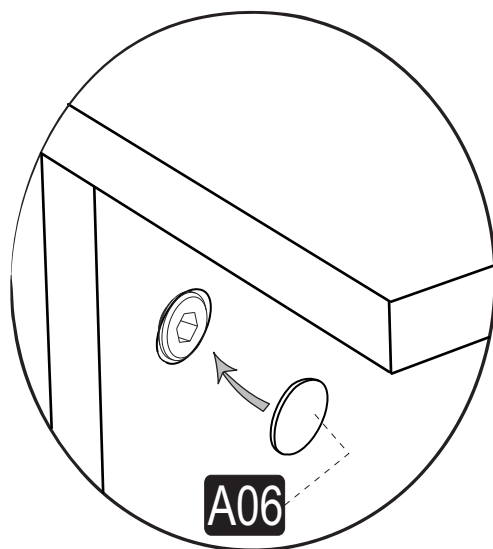
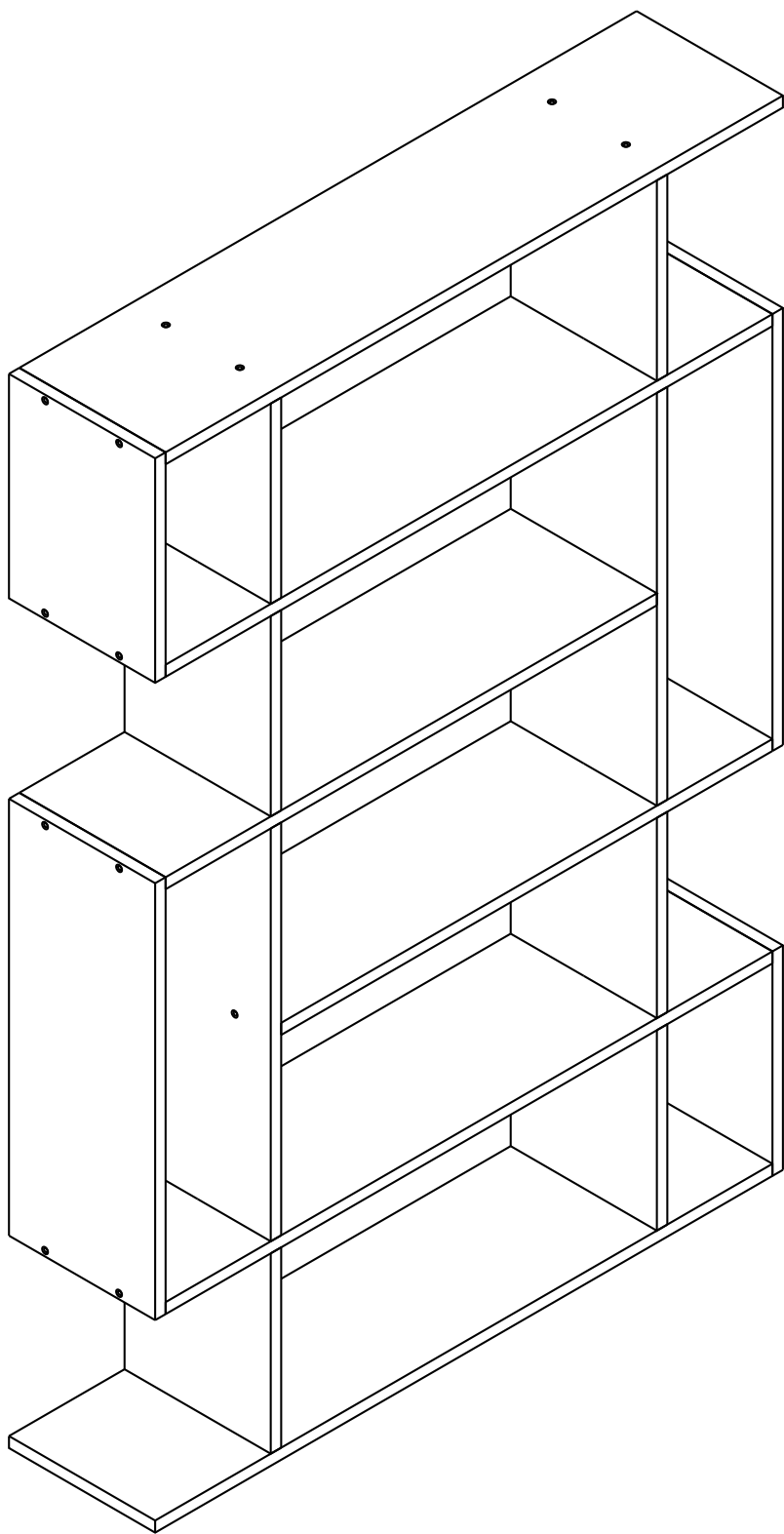
# 2<sup>step</sup>



# 3<sup>step</sup>



# 4<sub>step</sub>



# 5. step

