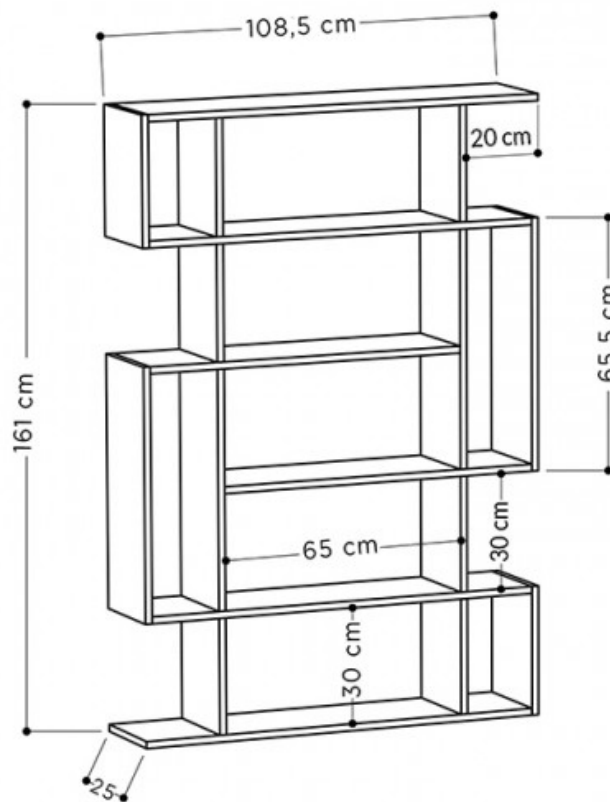
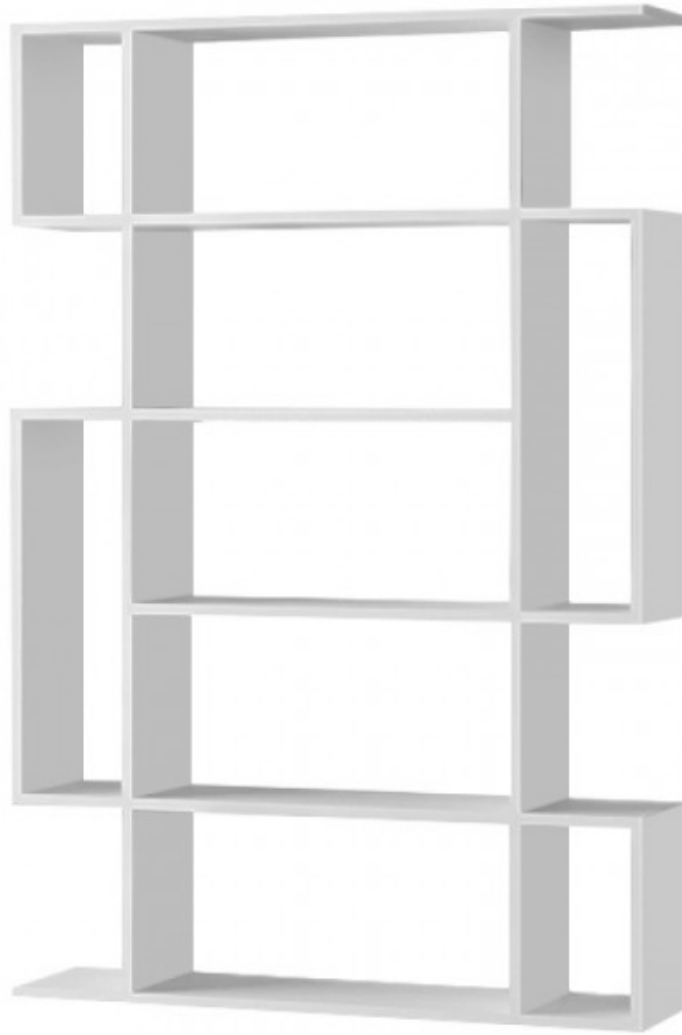



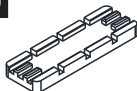
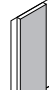



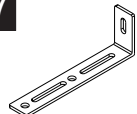
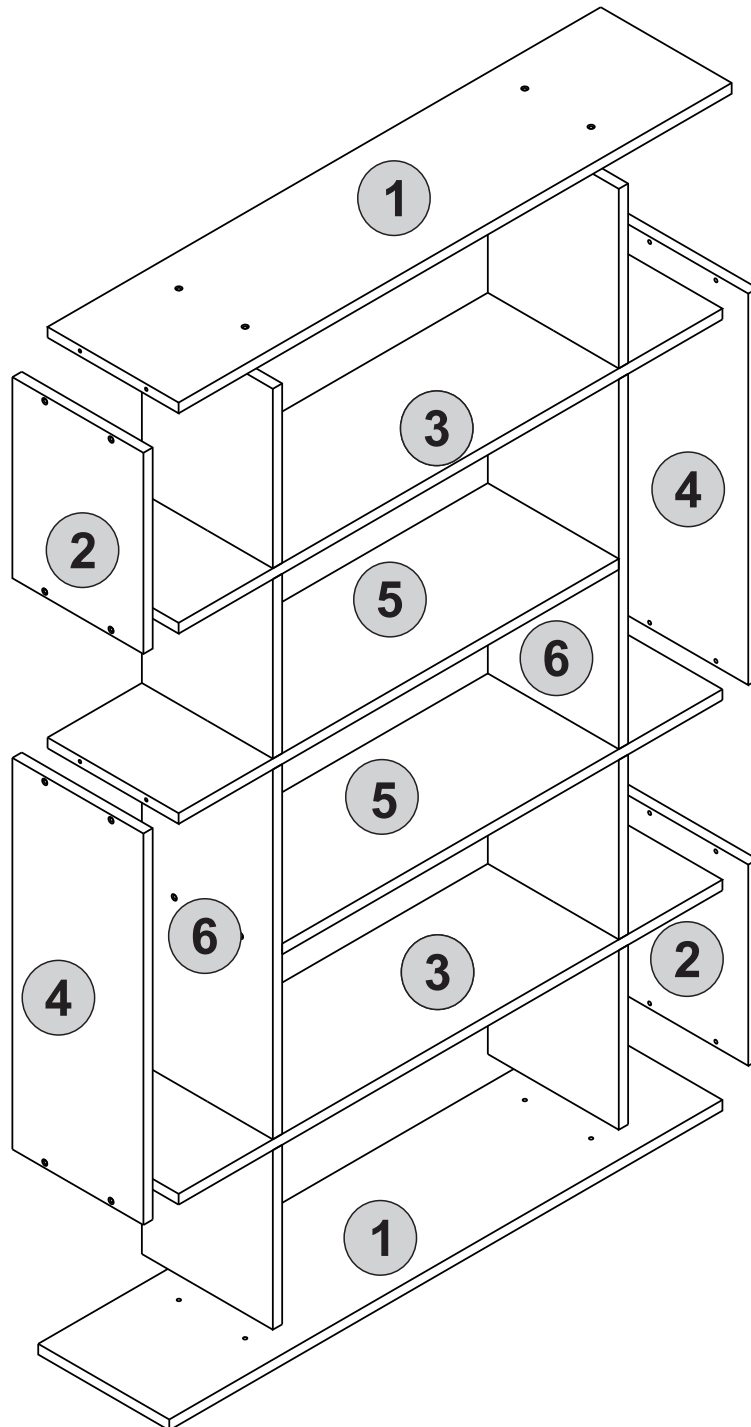




GP037-0031,4

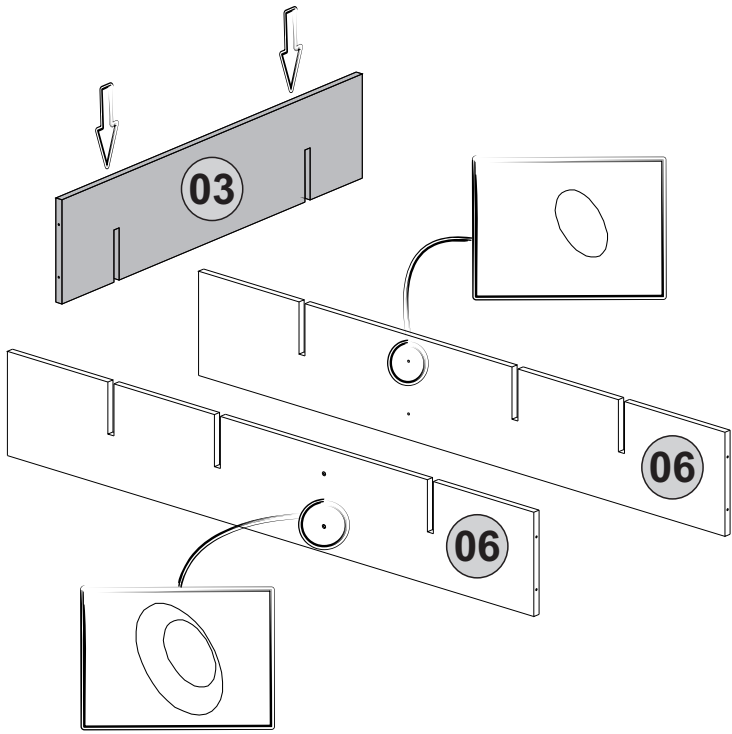


A13  50mm 28x	A12  Allen 1x	A06  18mm C1-24x C2-4x	A08  5mm 4x	Y03  Ctpb 4x
A17  4x50 1x	A16  DbØ8 1x	A18  3,5x18 2x	A87  15x90x30 1x	

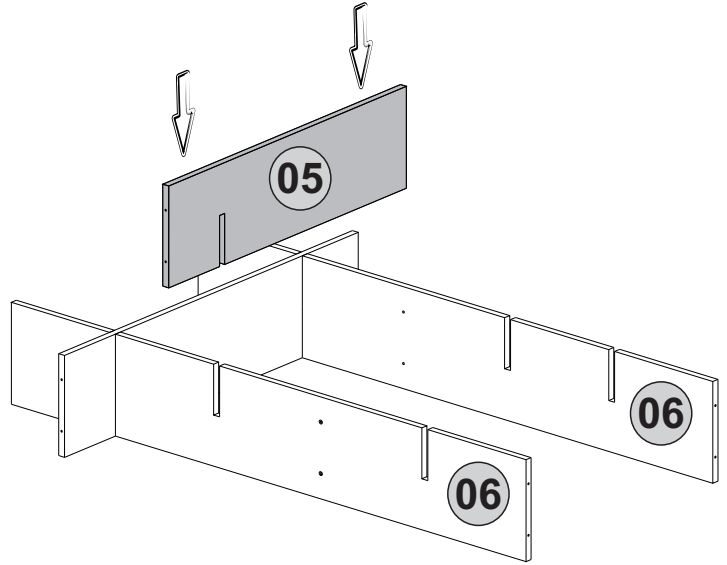


1 step

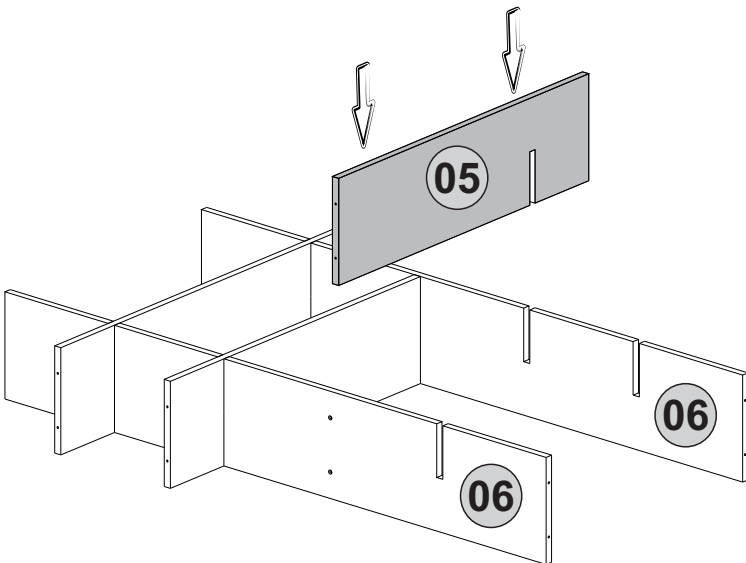
1.a



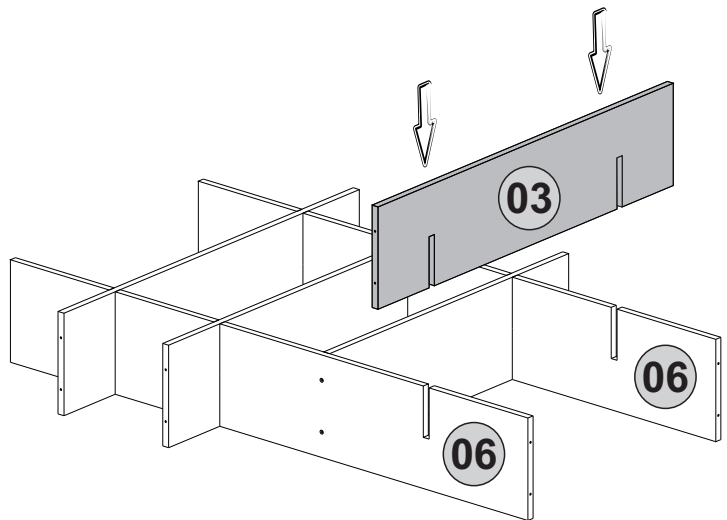
2.a



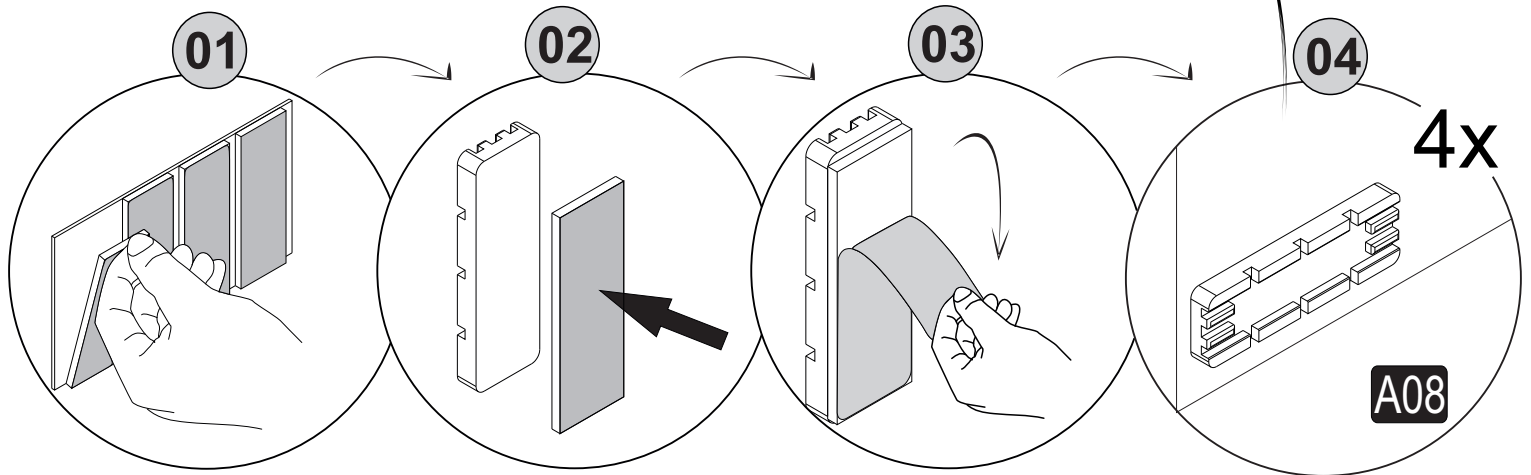
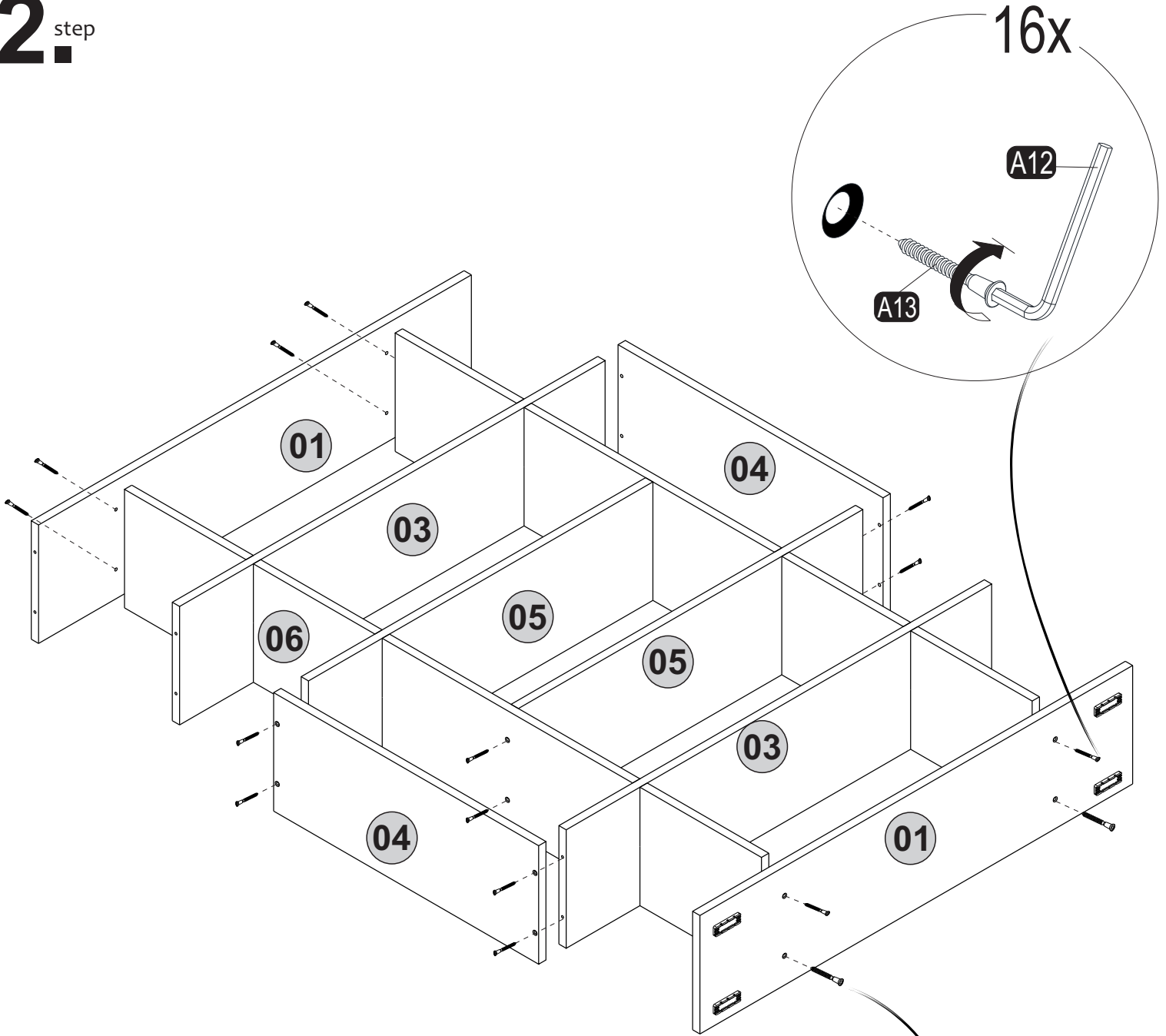
3.a



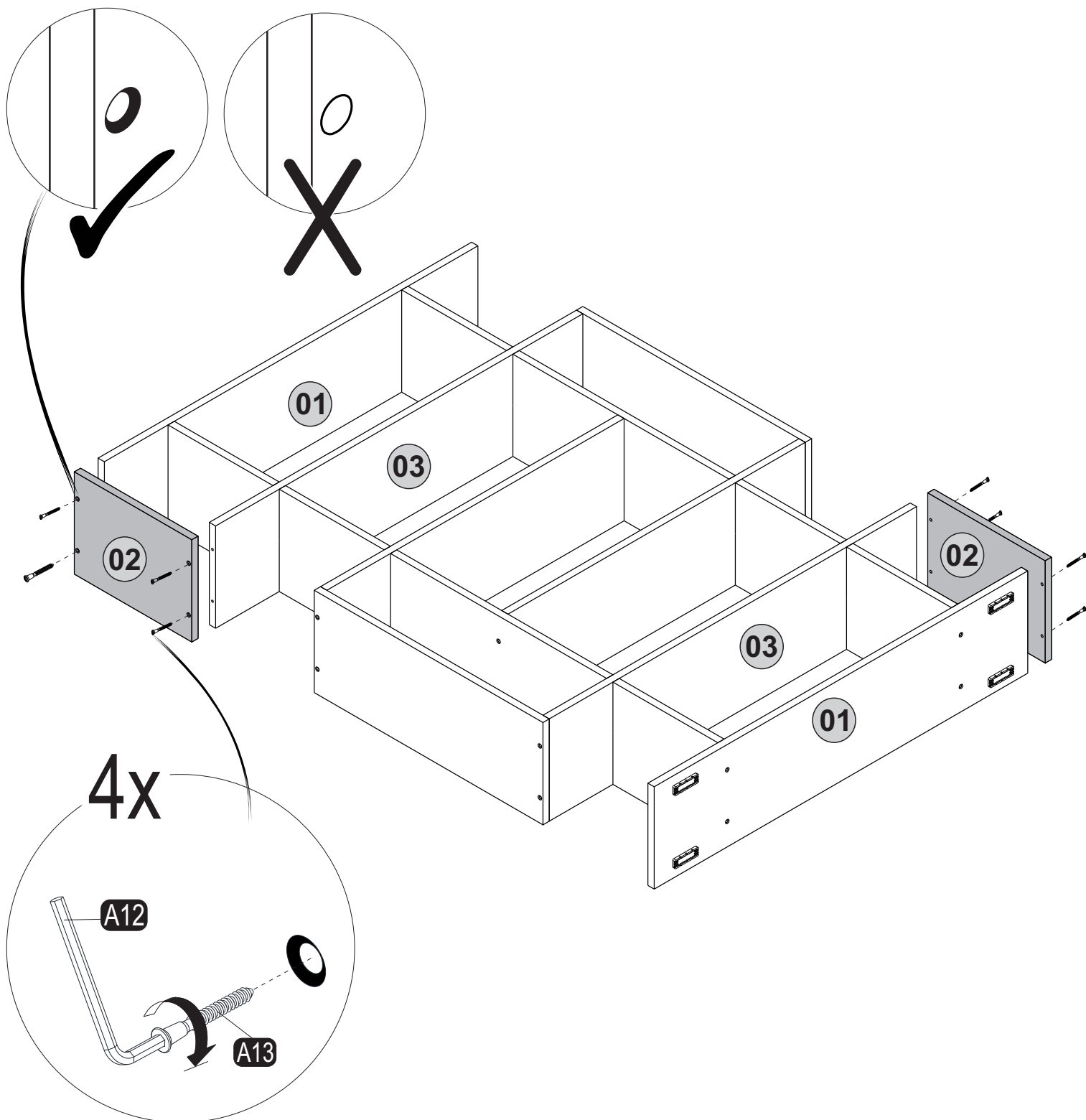
4.a



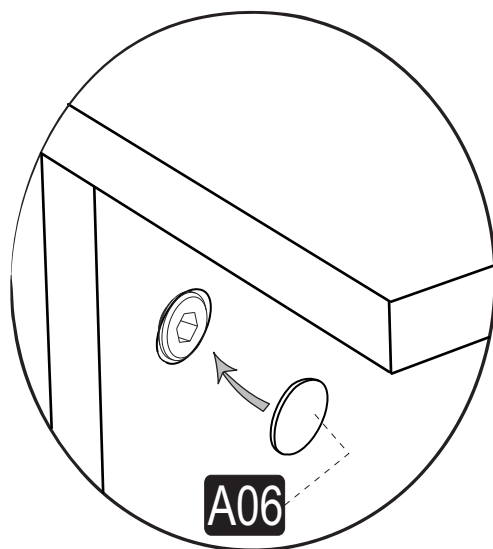
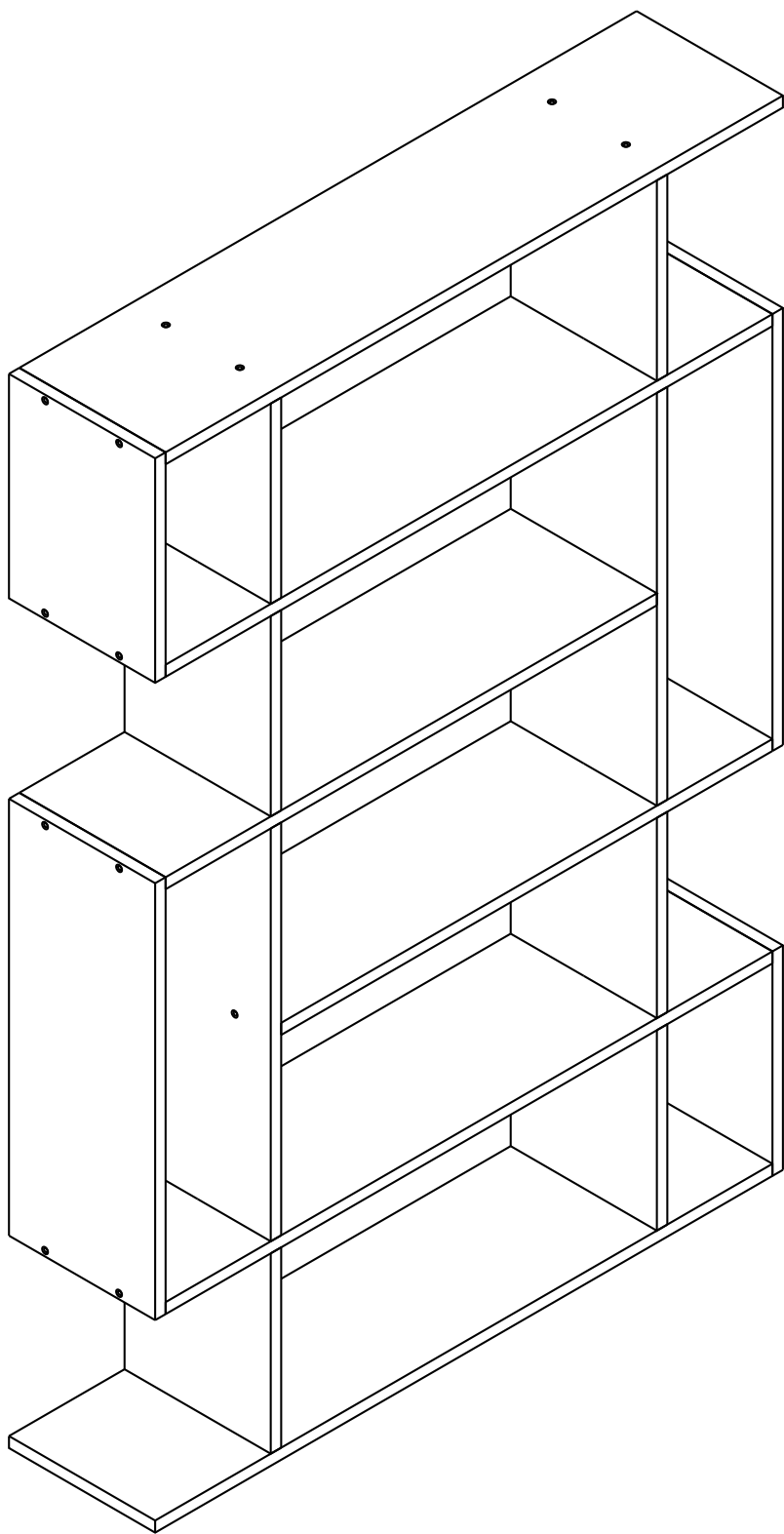
2^{step}



3^{step}



4_{step}



5. step

