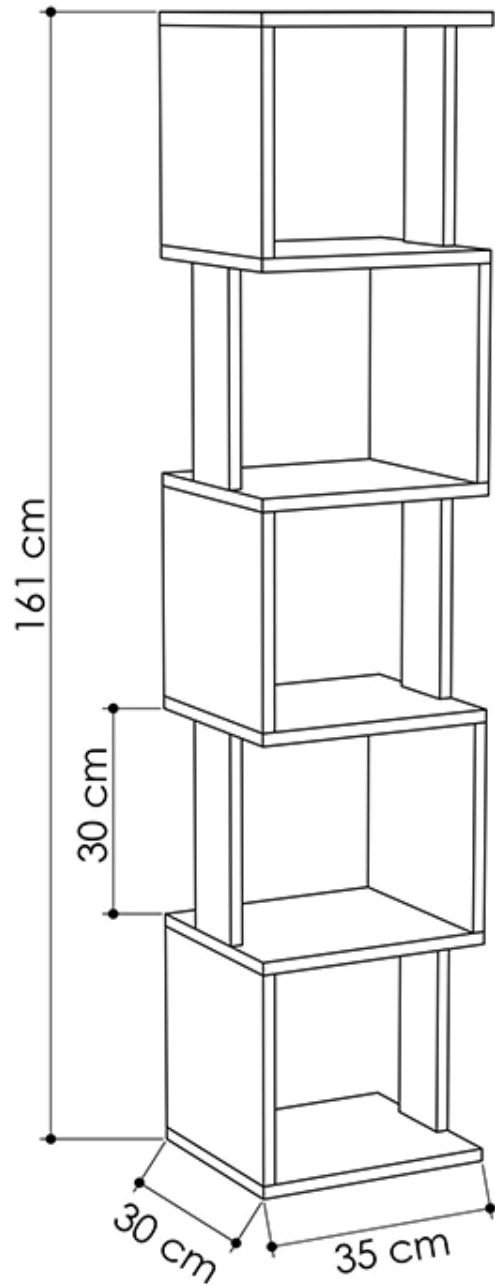
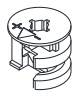
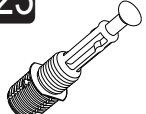


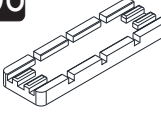

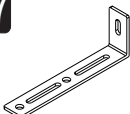
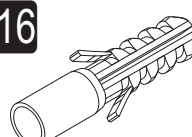


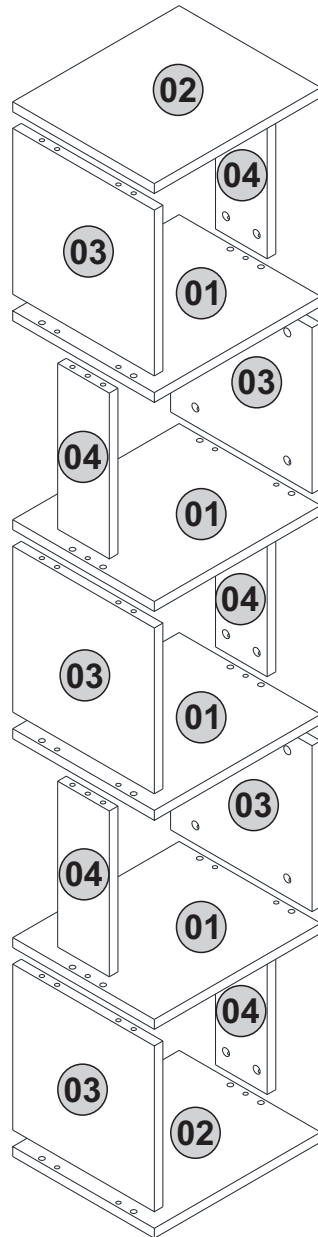




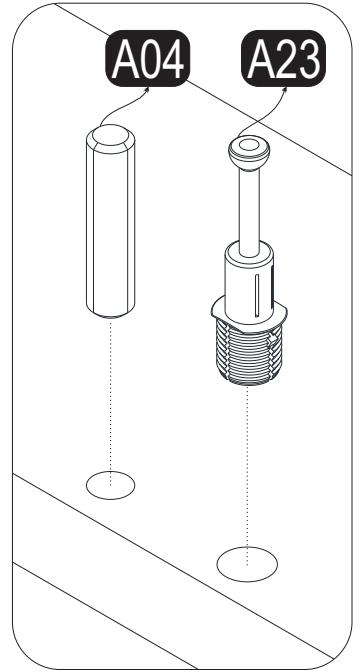
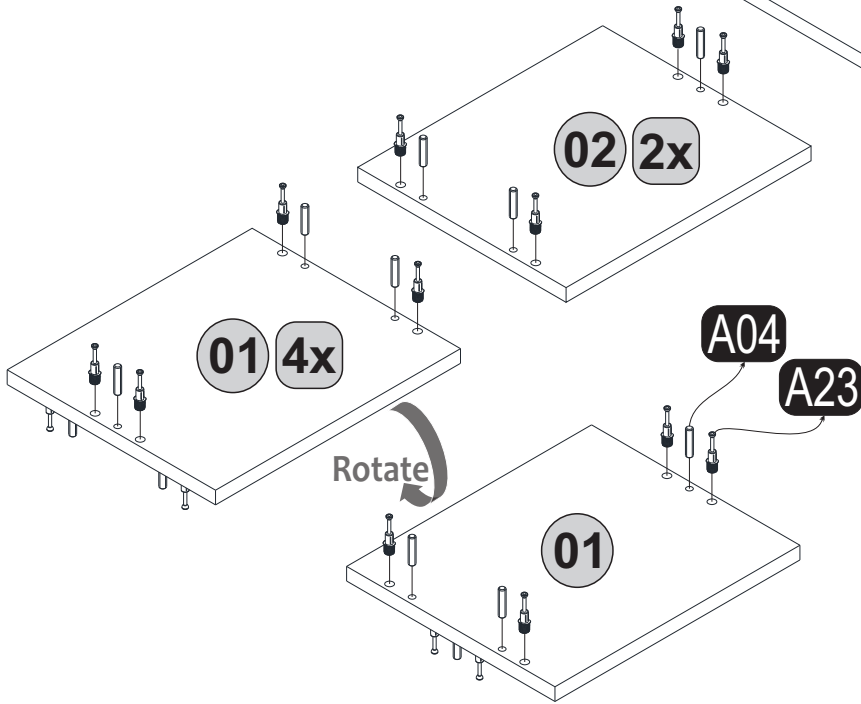
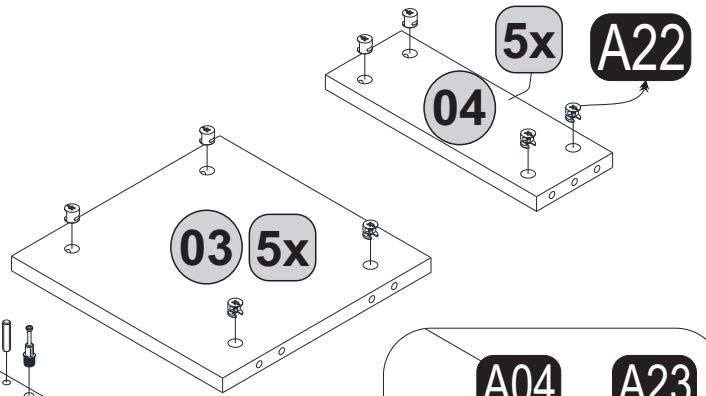
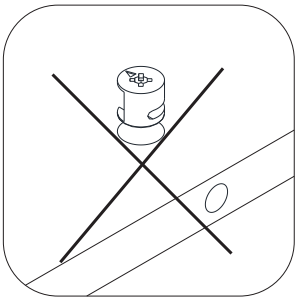
**GP037-0039,4**



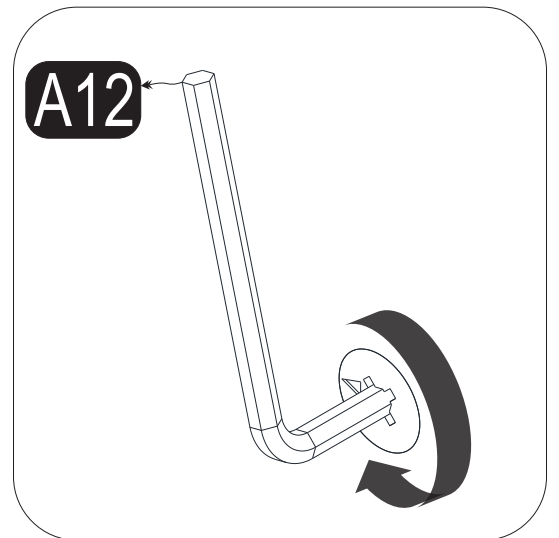
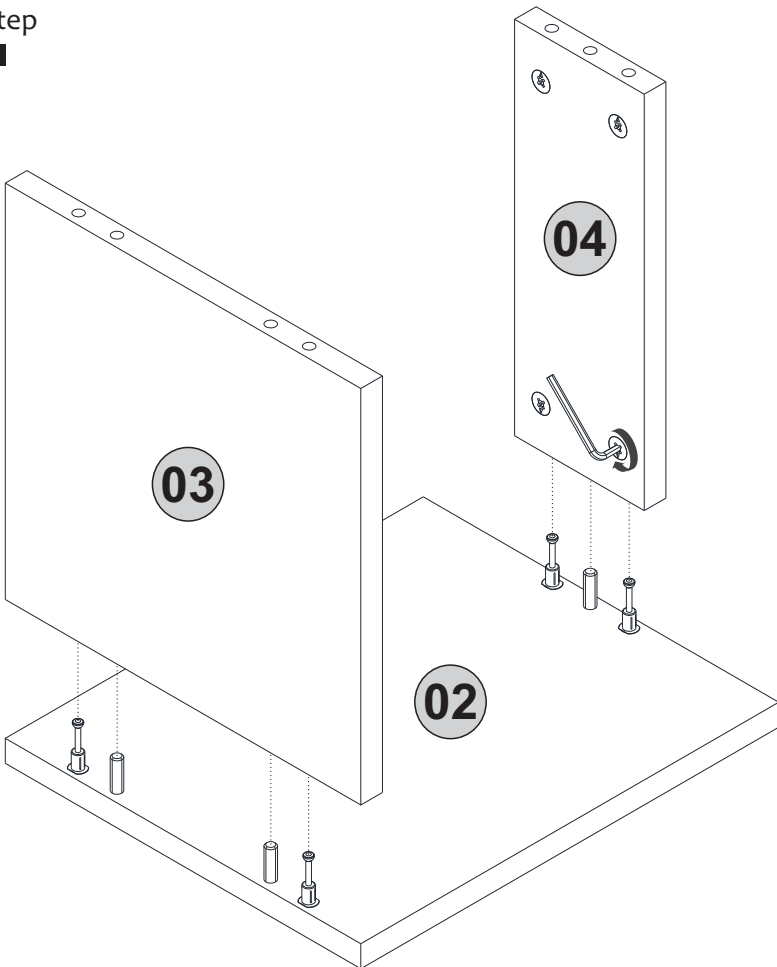
<b>A22</b> Minifix k18  <b>40x</b>	<b>A23</b> Minifix M10  <b>40x</b>	<b>A04</b> Ø8  <b>30x</b>	<b>A12</b> 4 SW  <b>1x</b>	<b>A08</b>  <b>4x</b>
<b>A06</b> 18 mm  C1 20x C2 20x	<b>A87</b> 15x90x30  <b>1x</b>	<b>A16</b> Ø8  <b>1x</b>	<b>A17</b> 4x50  <b>1x</b>	<b>A18</b> 3,5x18  <b>2x</b>



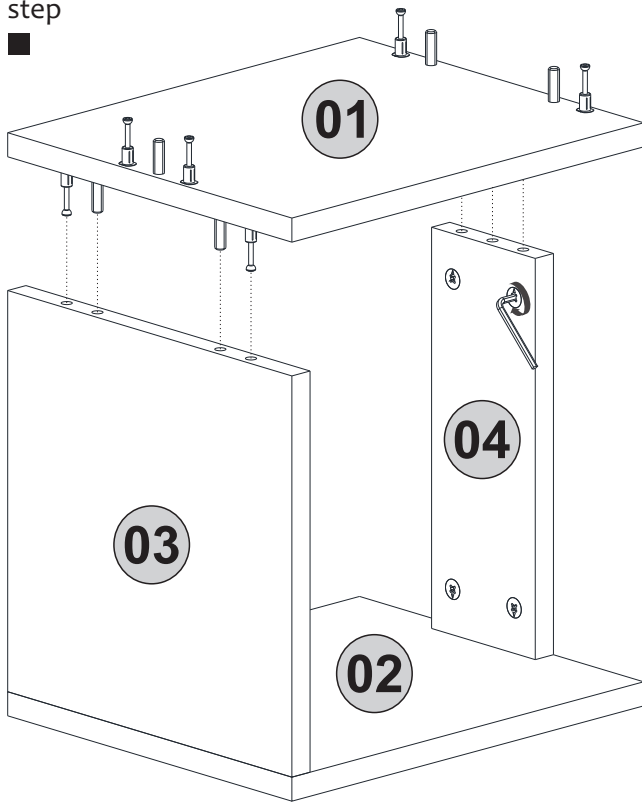
# 1. step



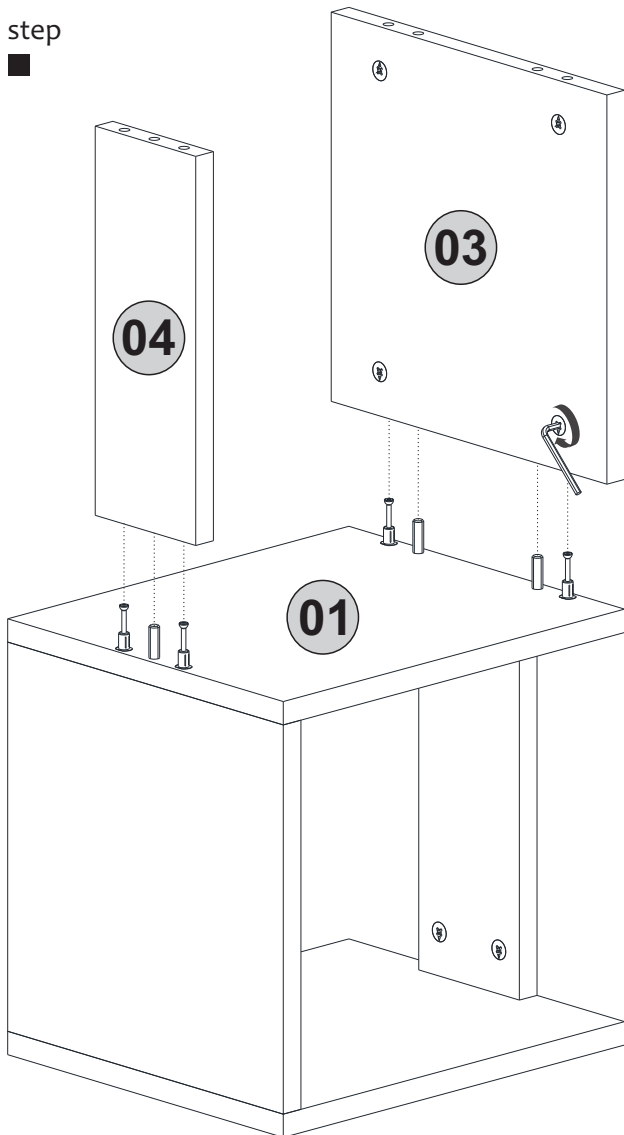
# 2. step



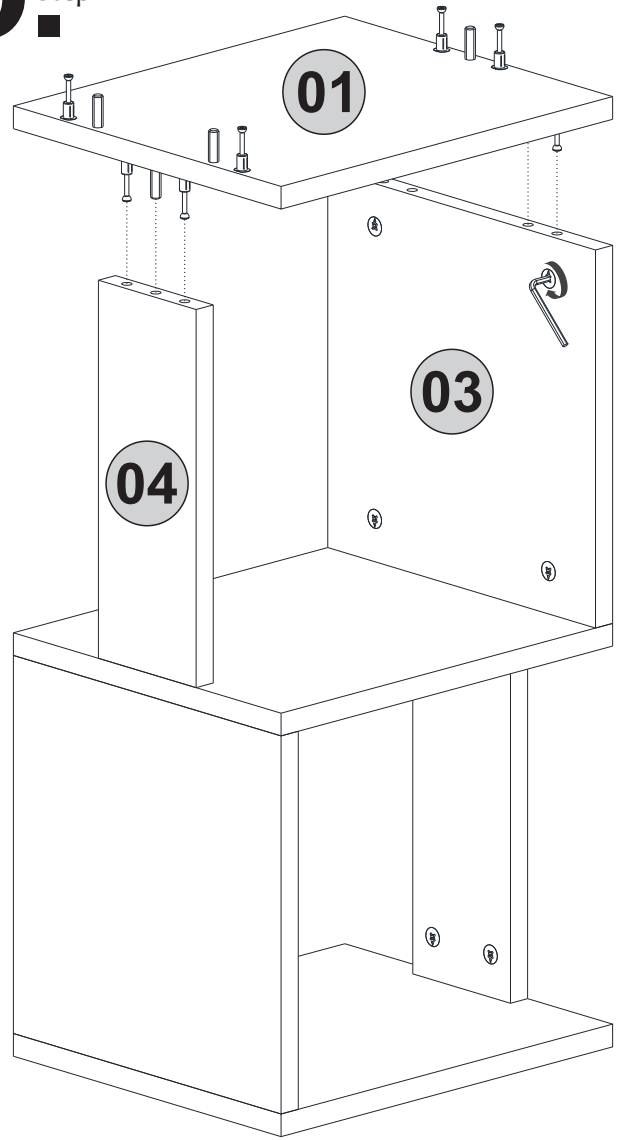
**3** step



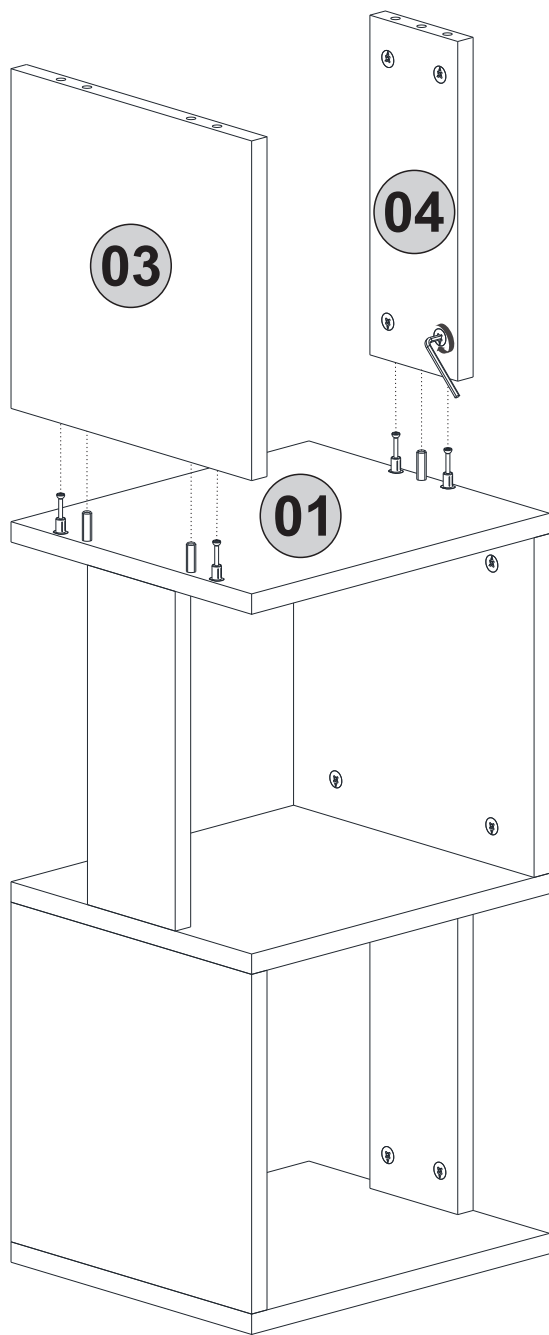
**4** step



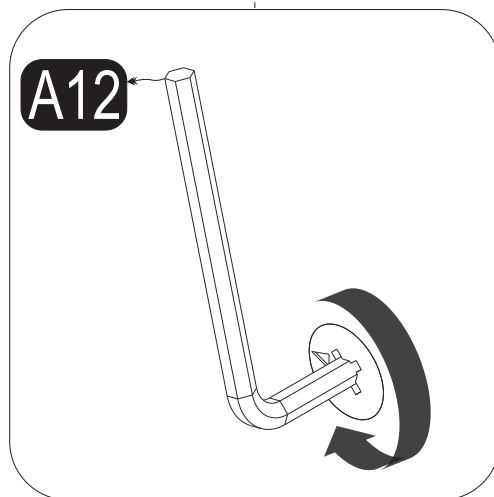
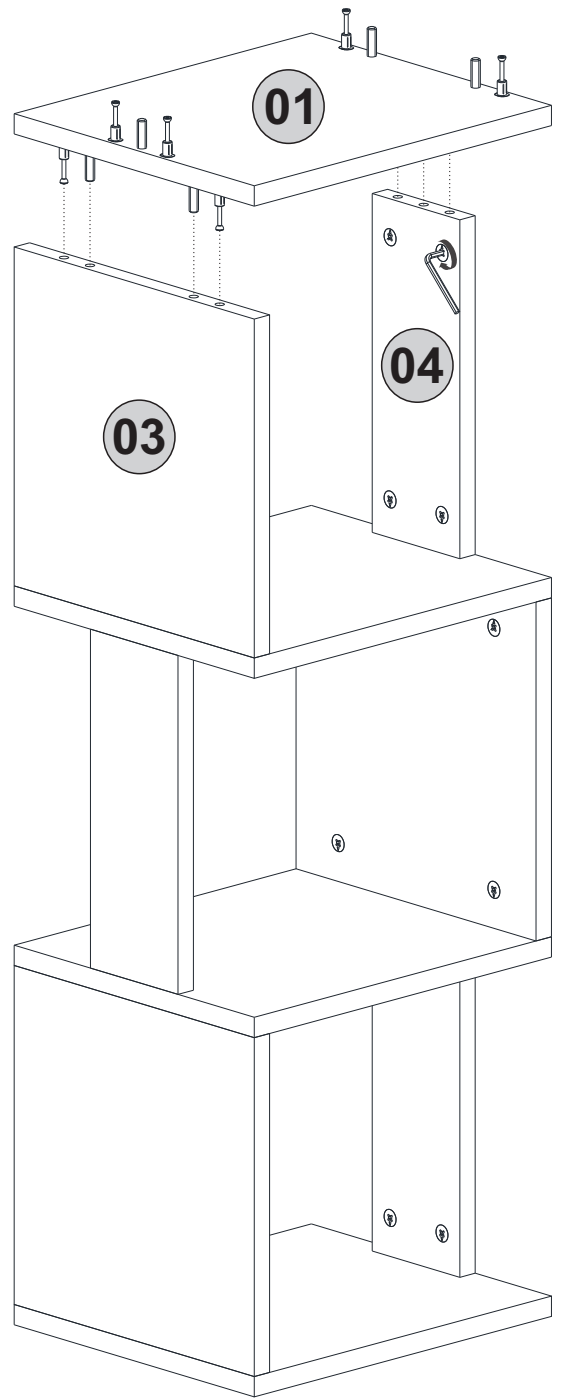
**5** step



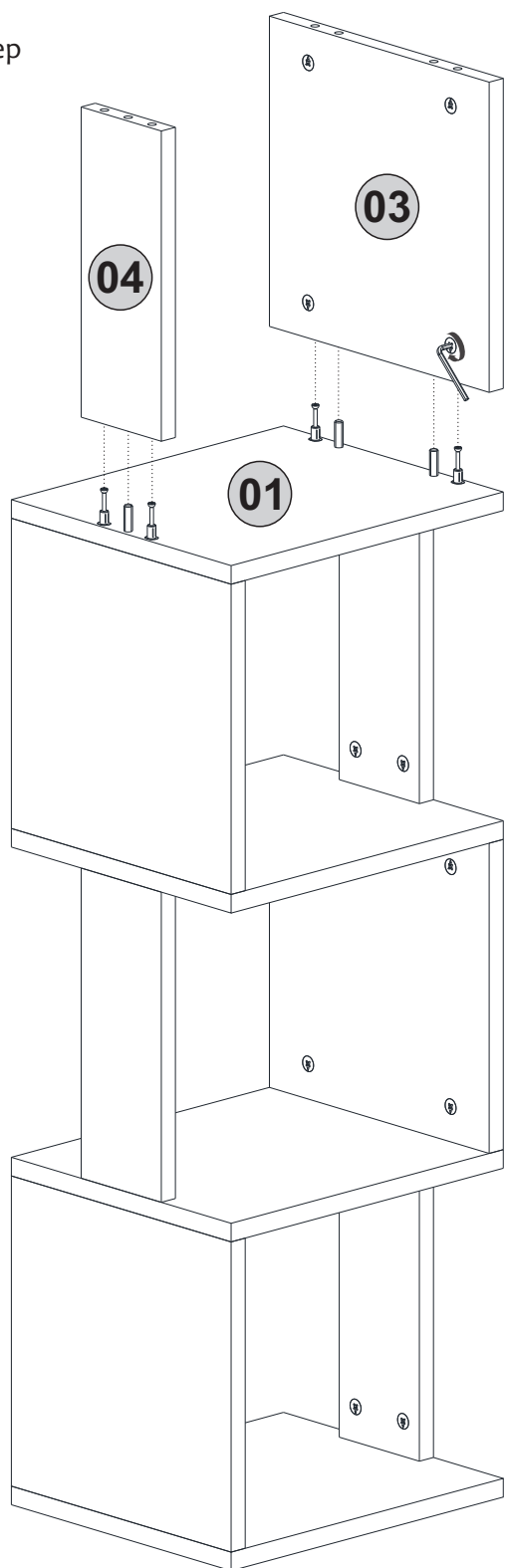
# 6 step



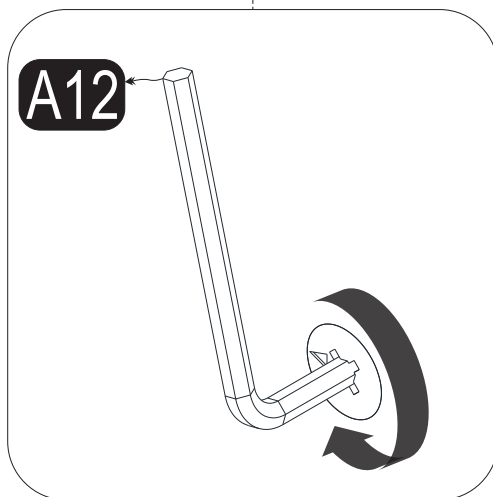
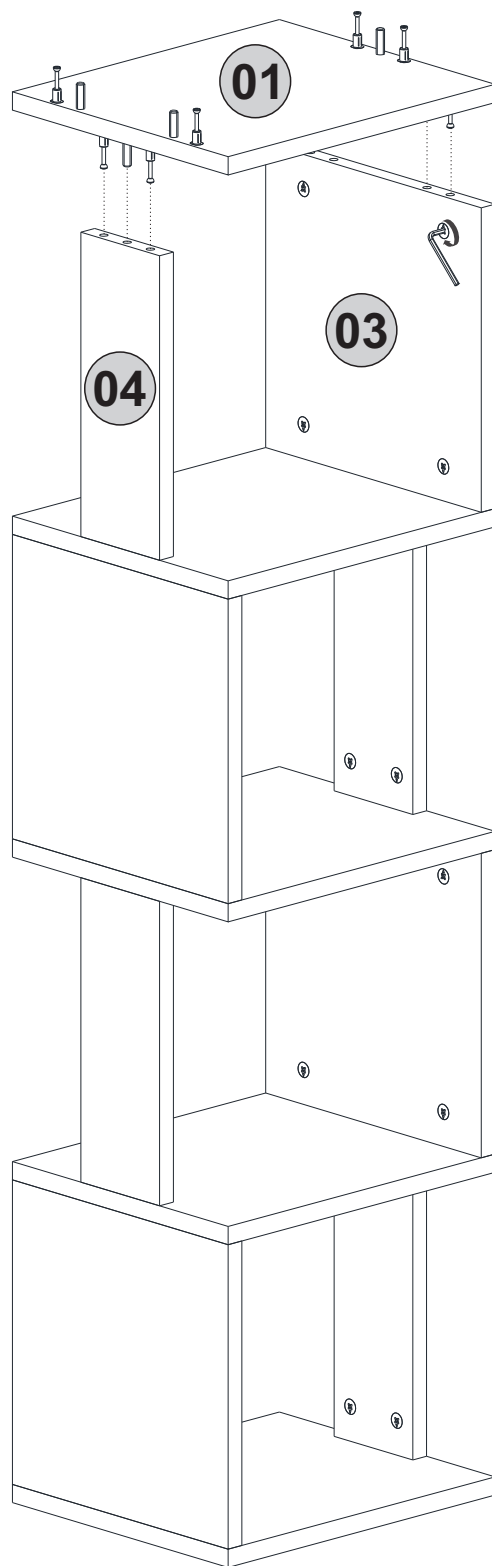
# 7 step



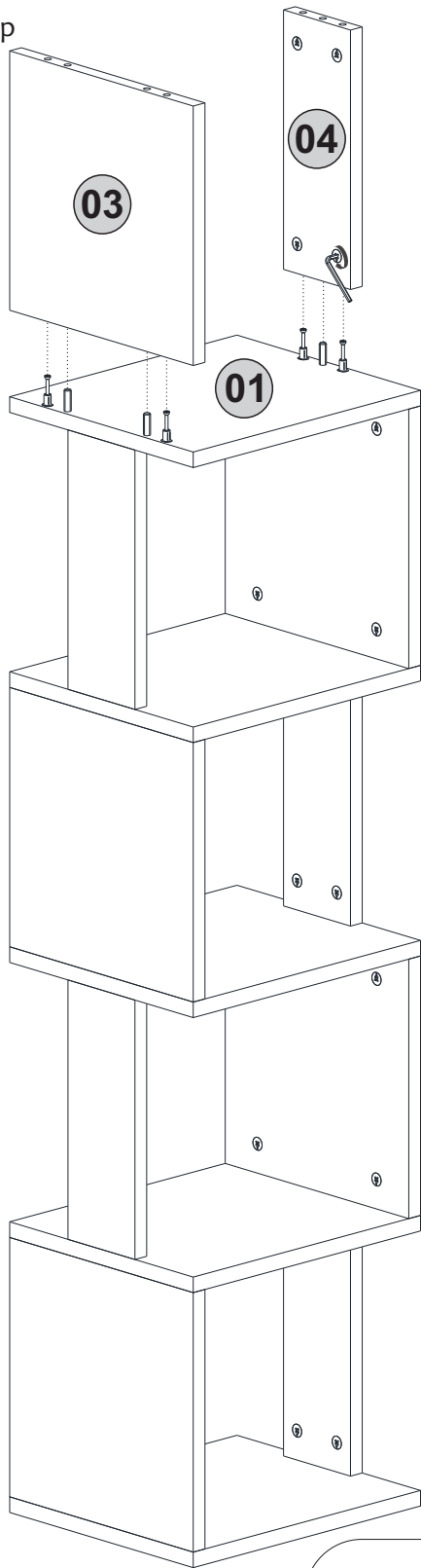
# 8 step



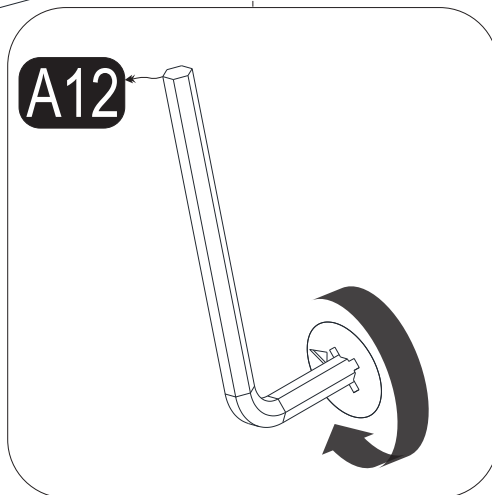
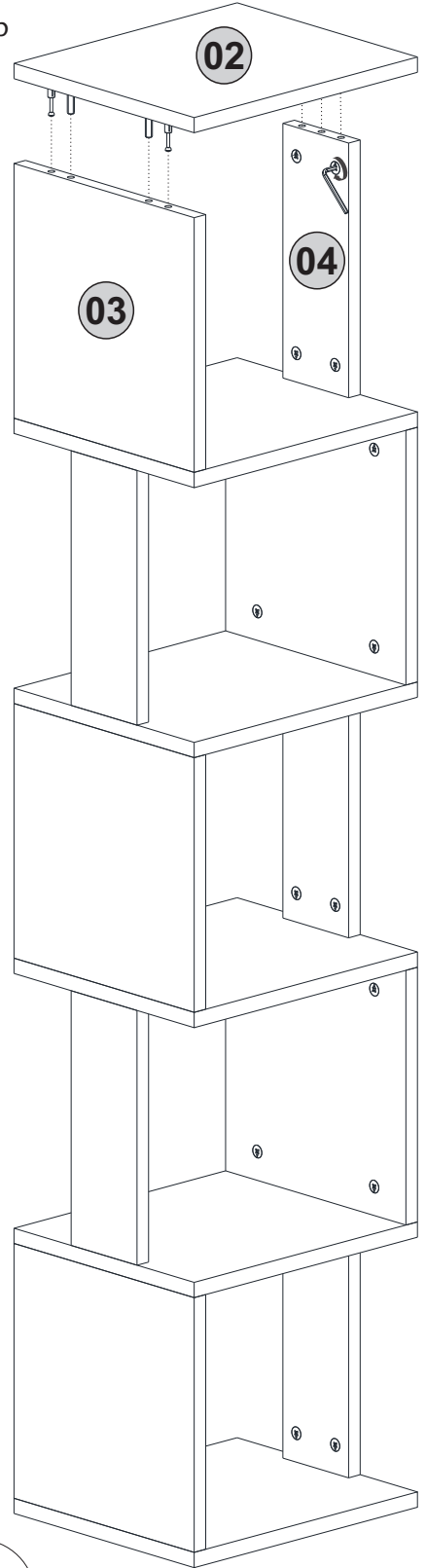
# 9 step



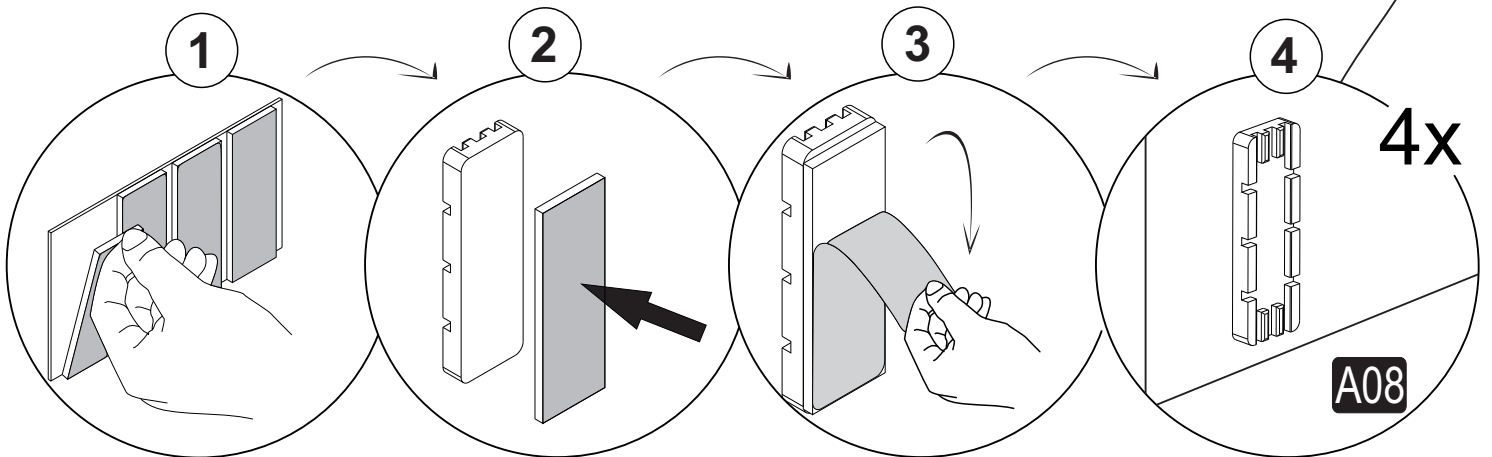
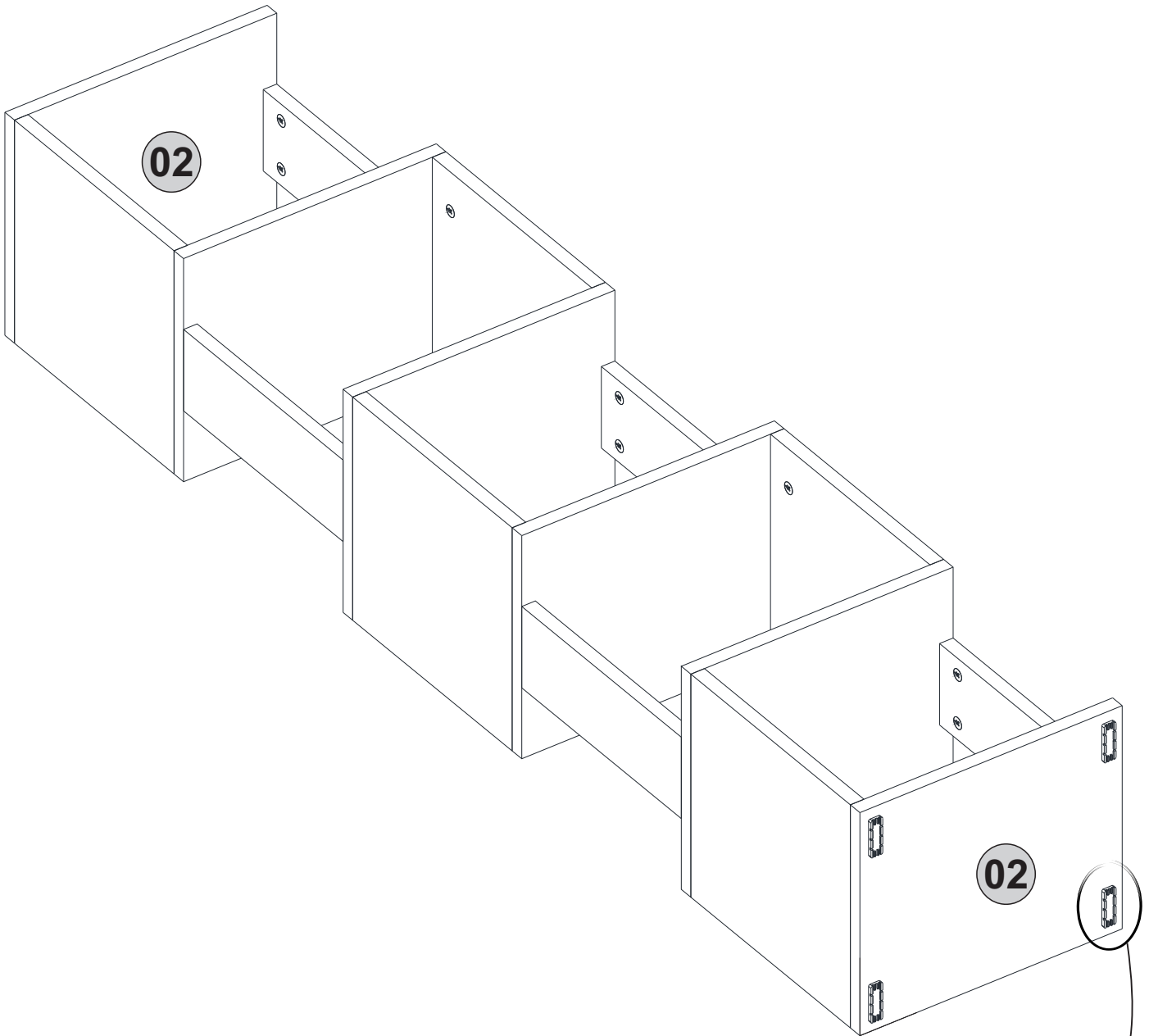
10. step



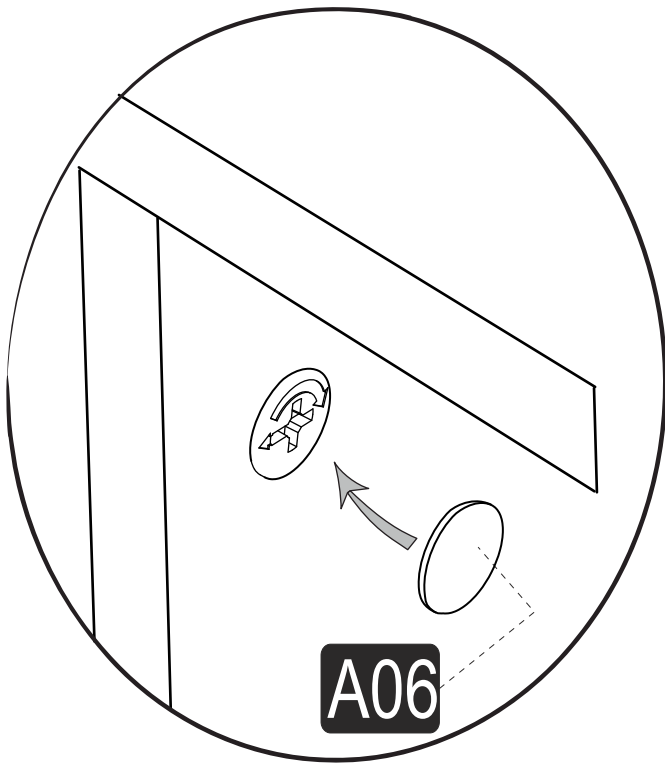
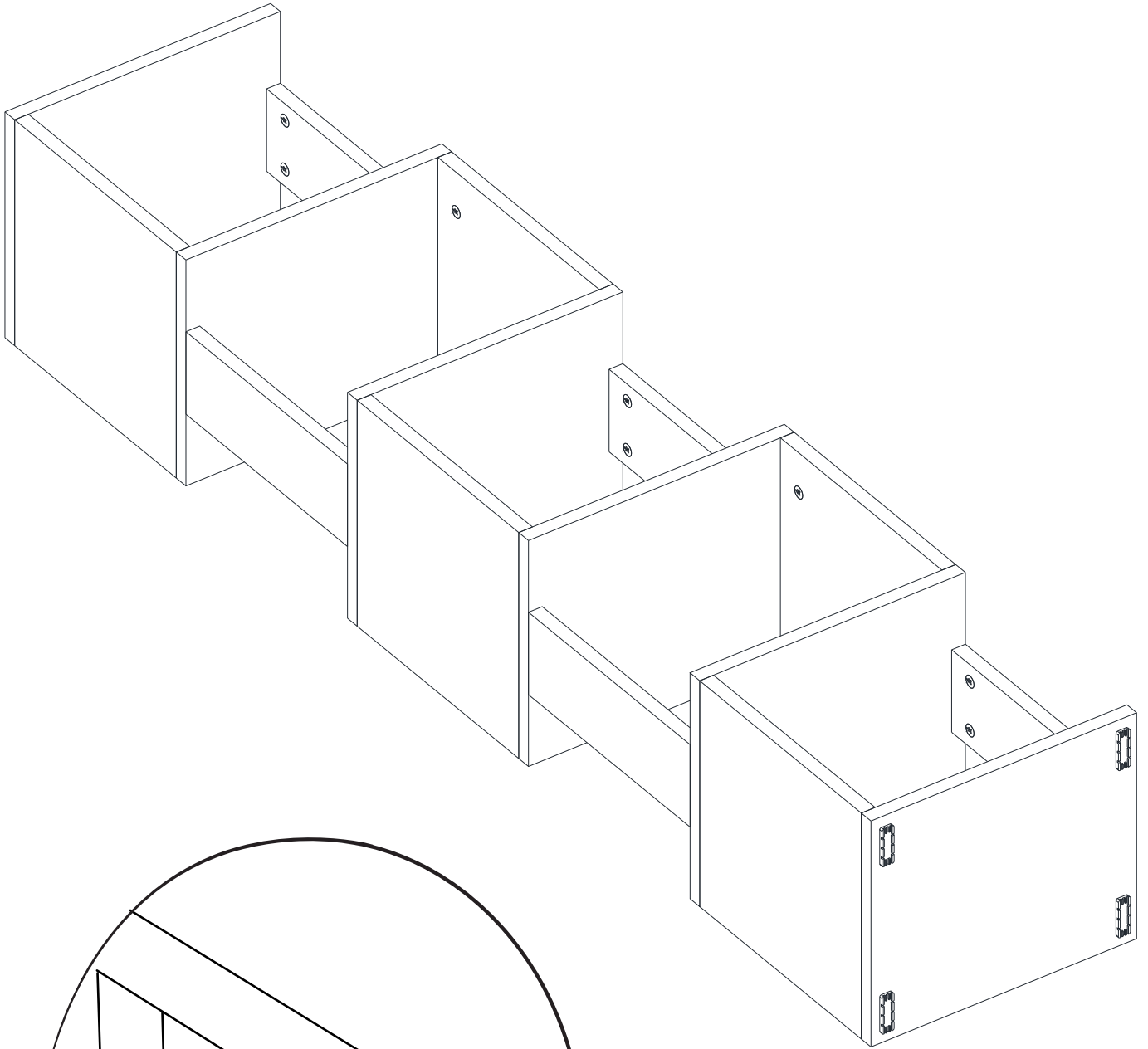
11. step



# 12.<sup>step</sup>



# 13.<sup>step</sup>



**A06**

# 14.<sup>step</sup>

