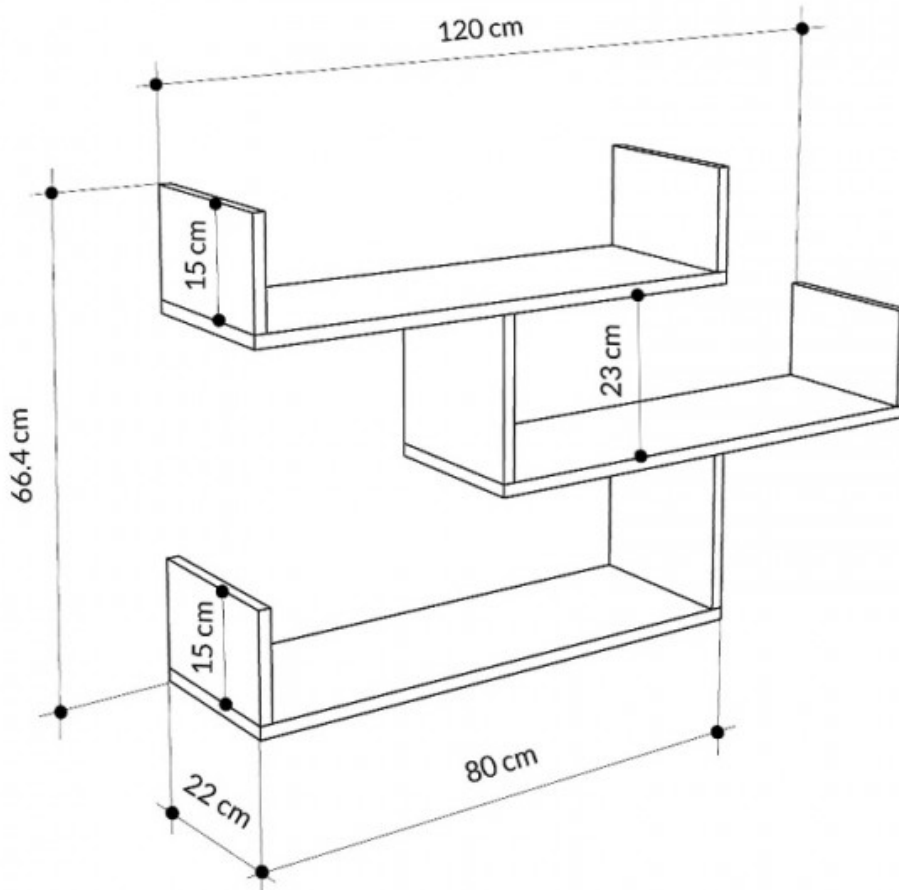
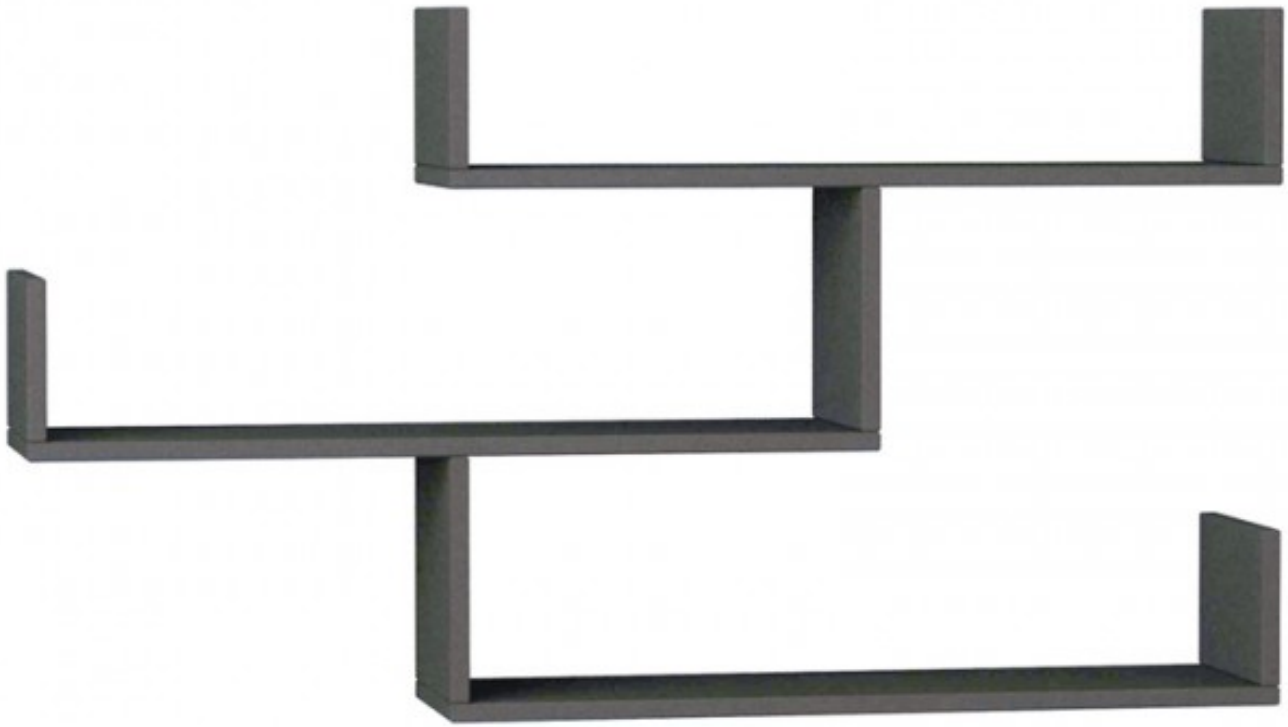

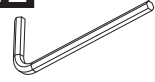




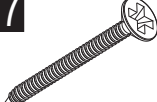

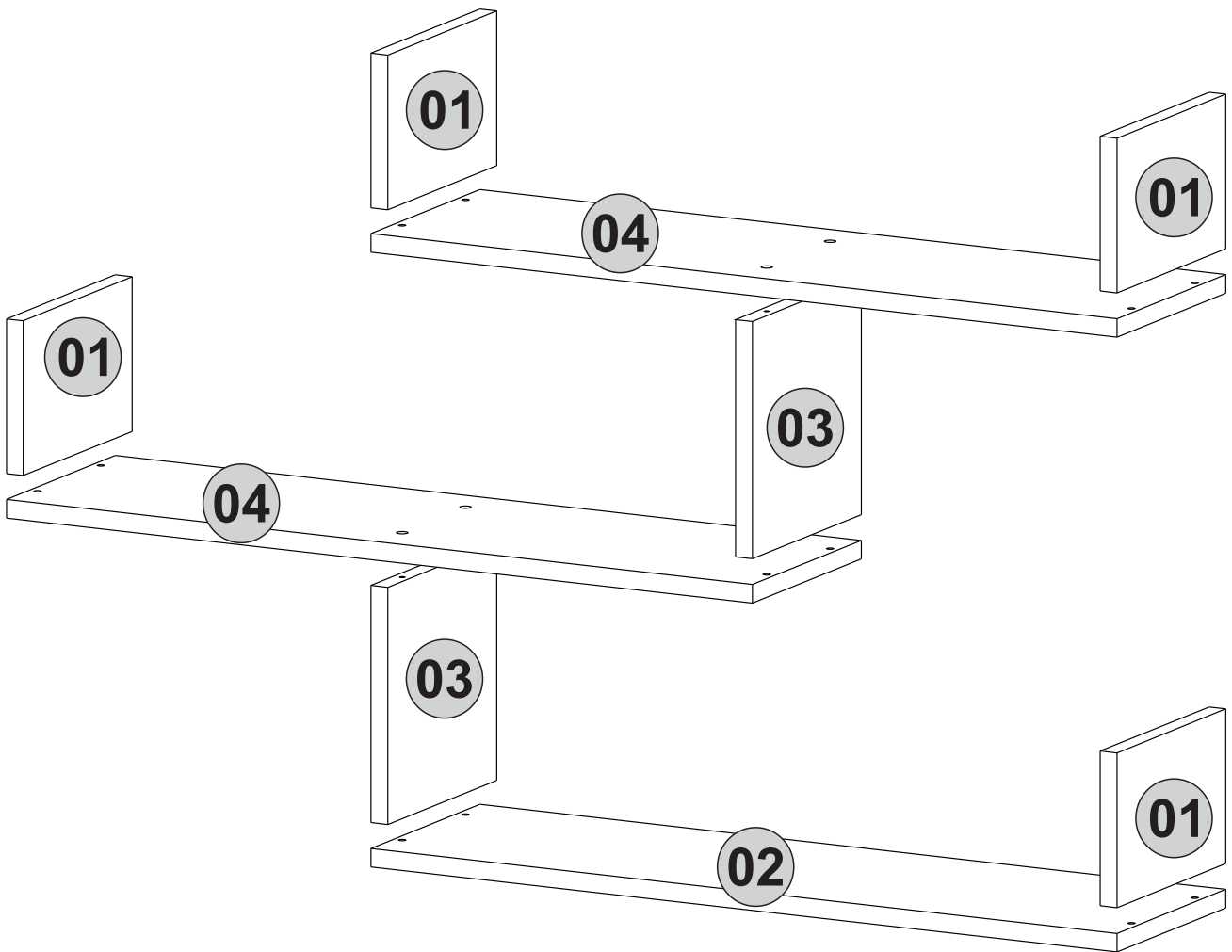




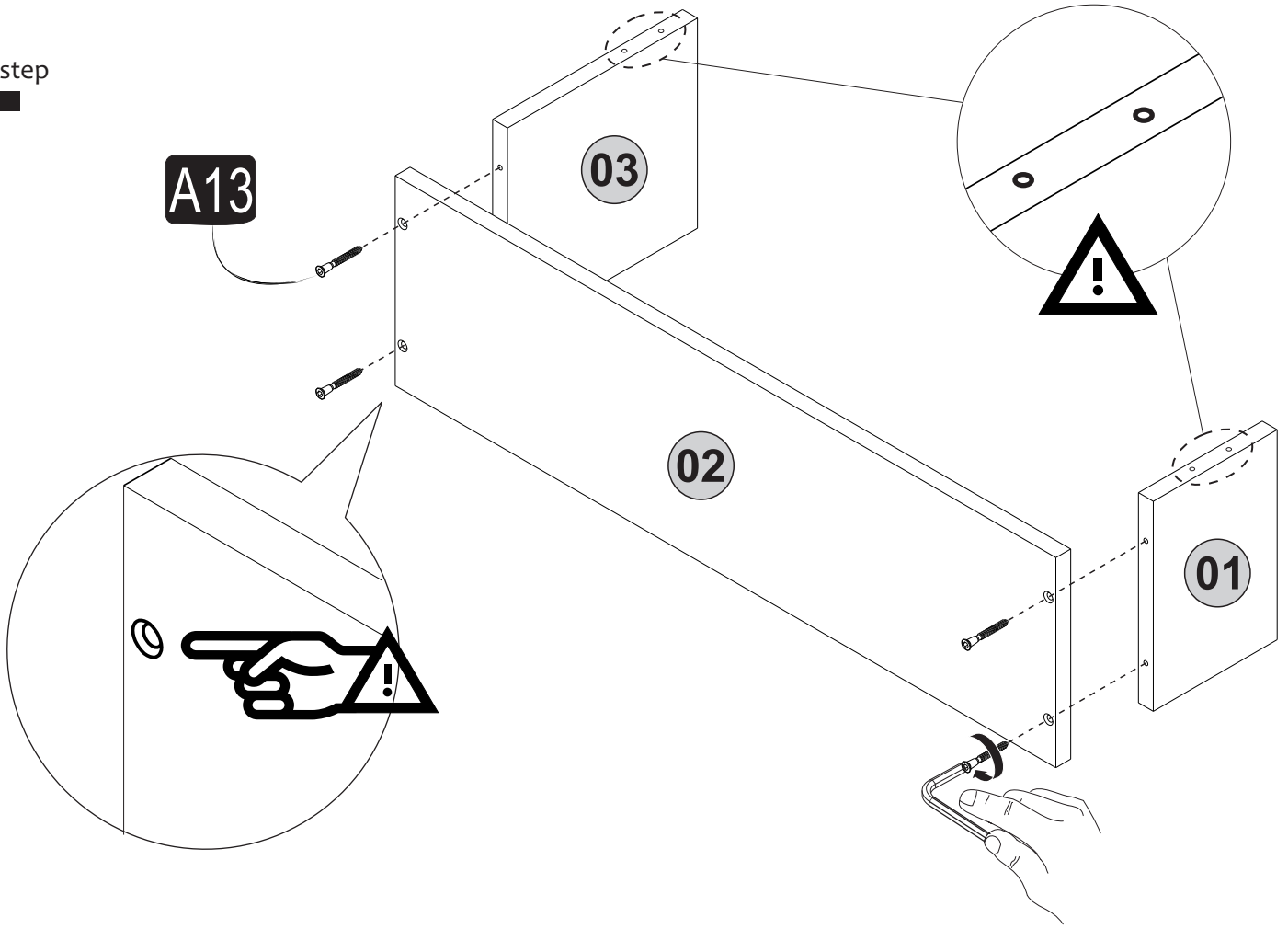
GP037-0042,3



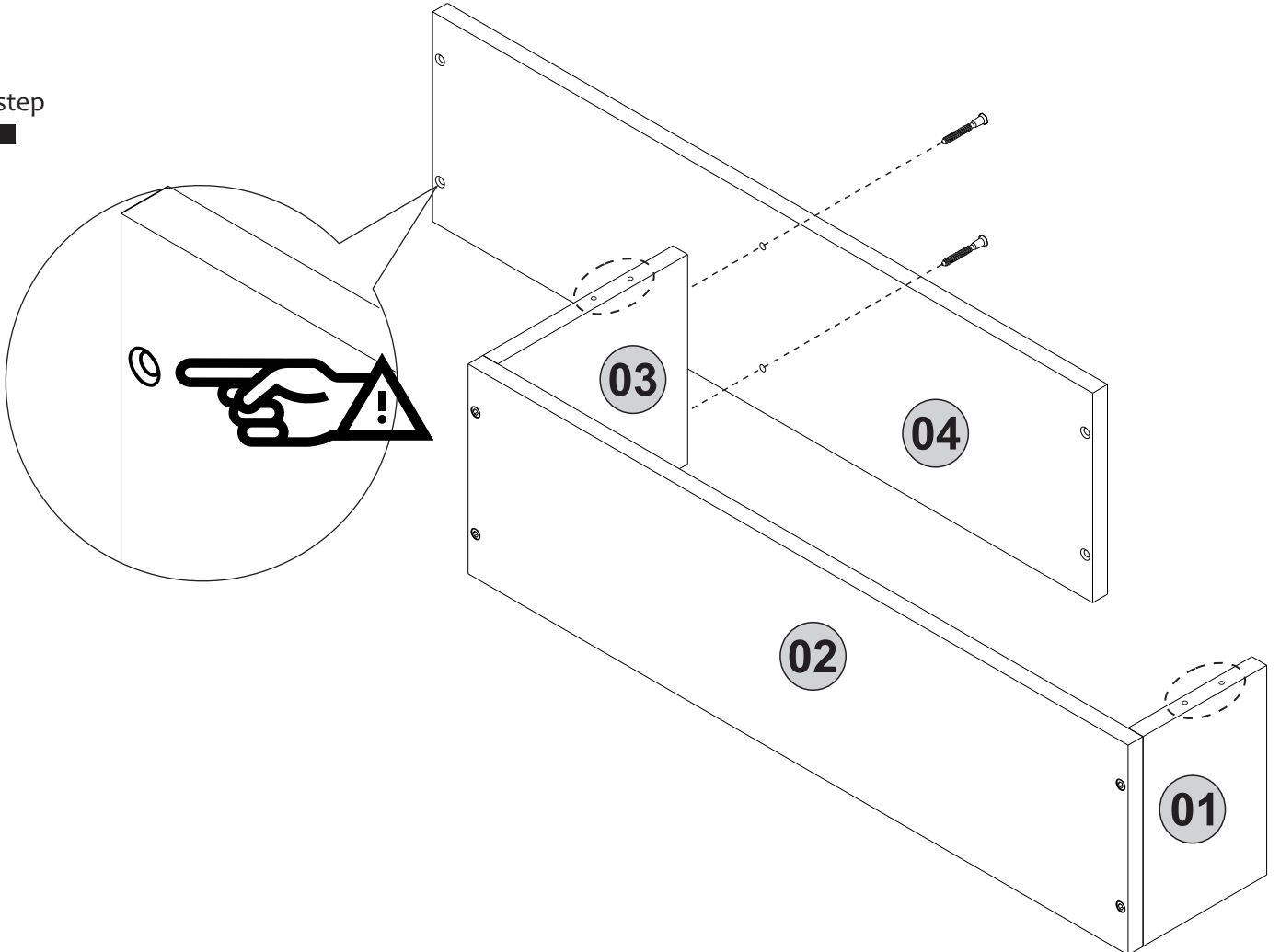
A13  50mm 16x	A12  4 sw 1x	A32  60/16 5x	Z18  Gbdy 5x	A11  3,5x30 10x
A16  DbØ8 5x	A17  4x50 5x	A06  18mm 16x		



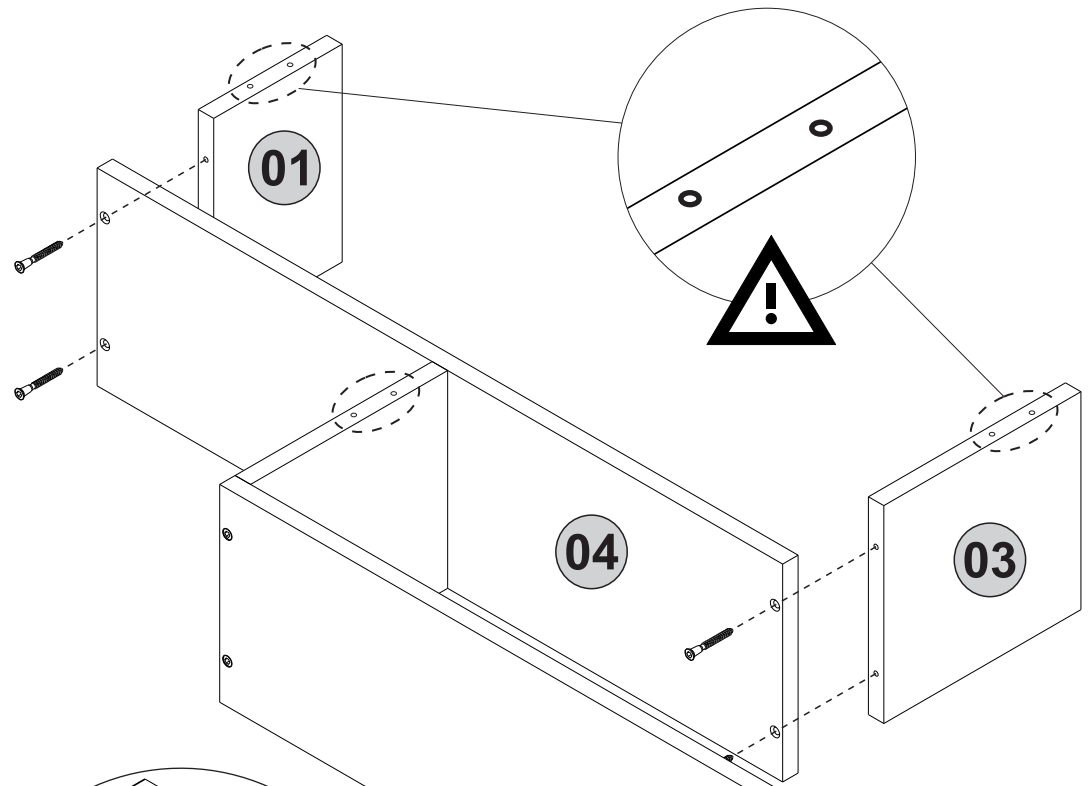
1. step



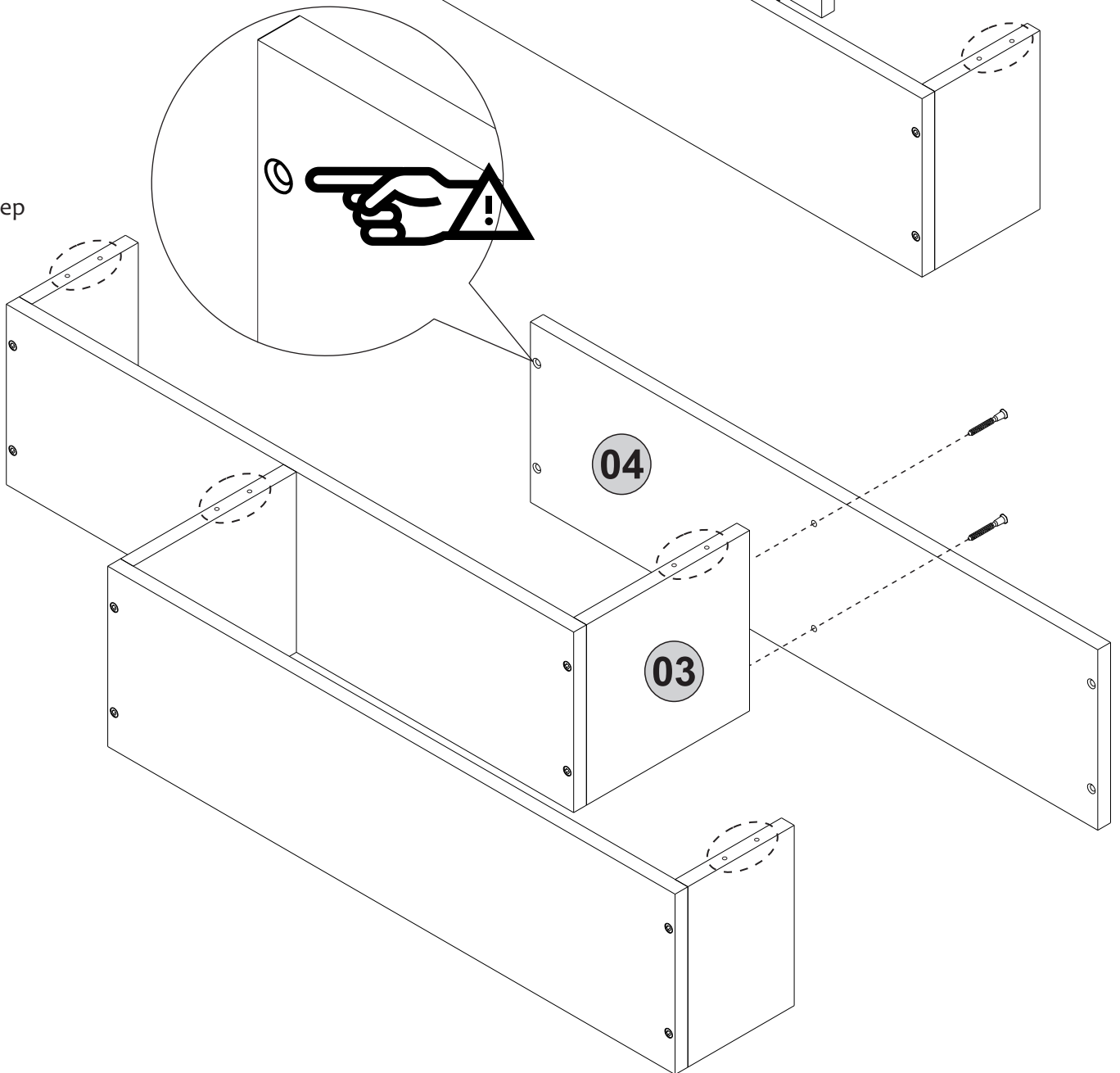
2. step



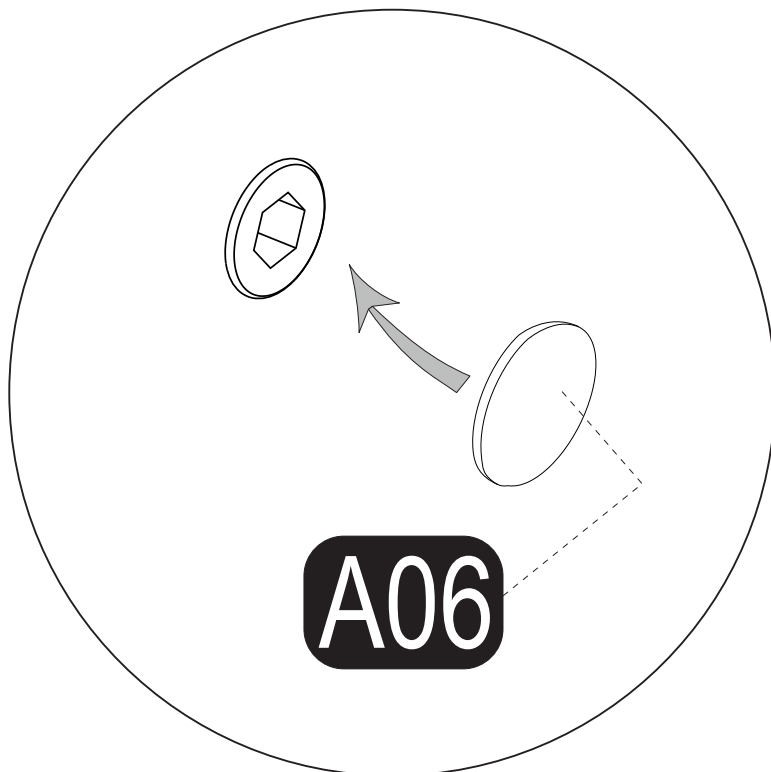
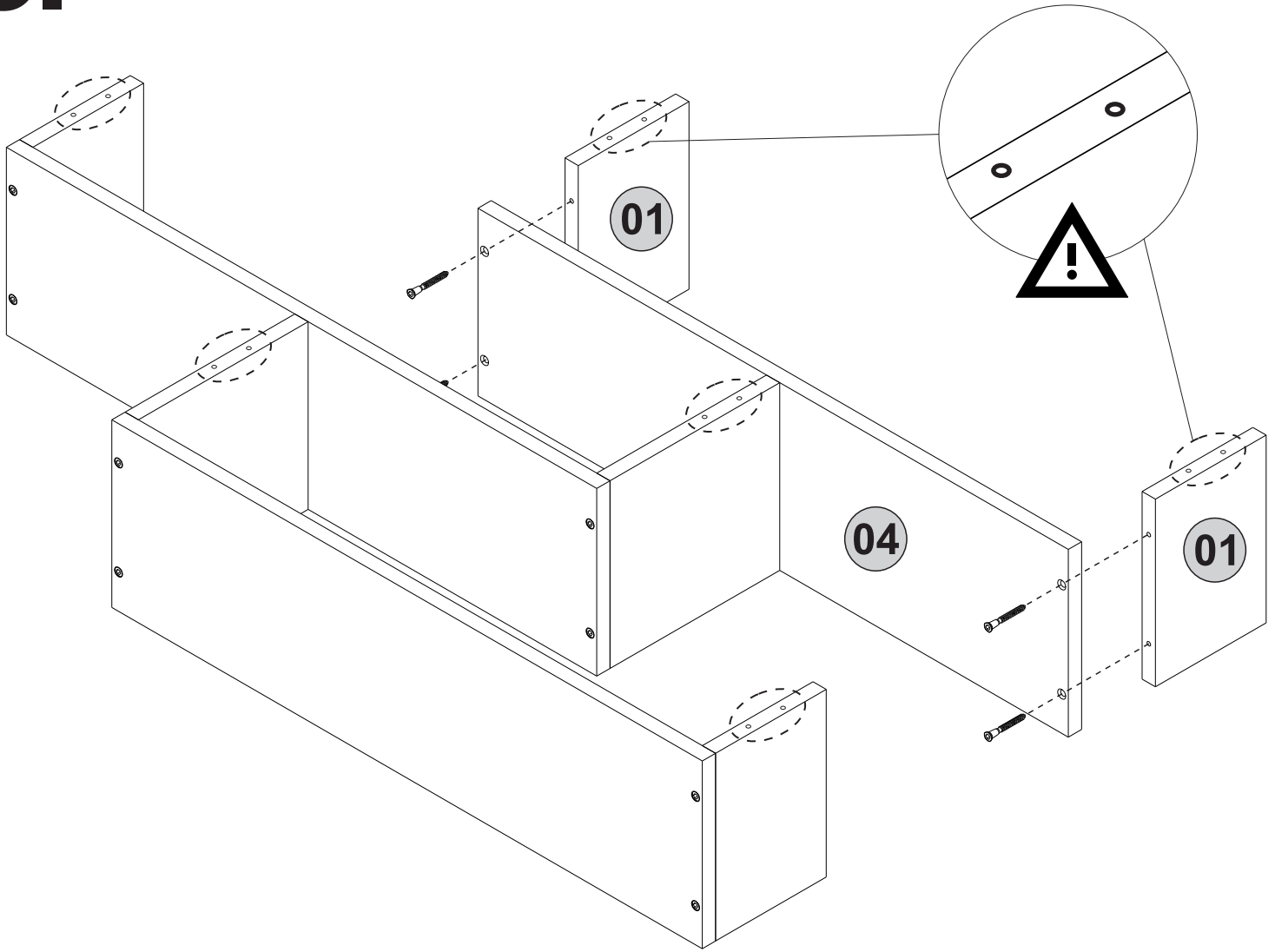
3 step



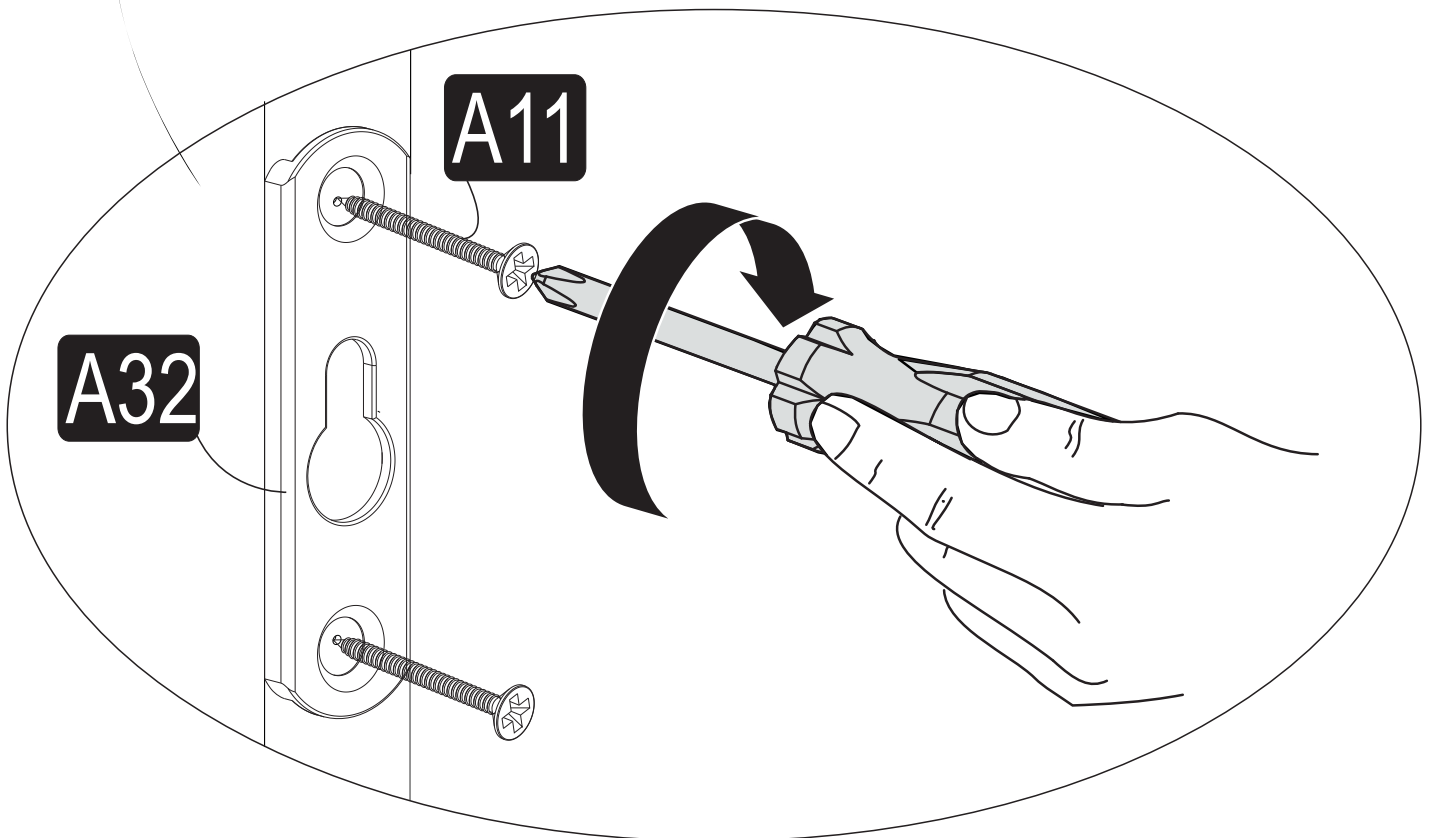
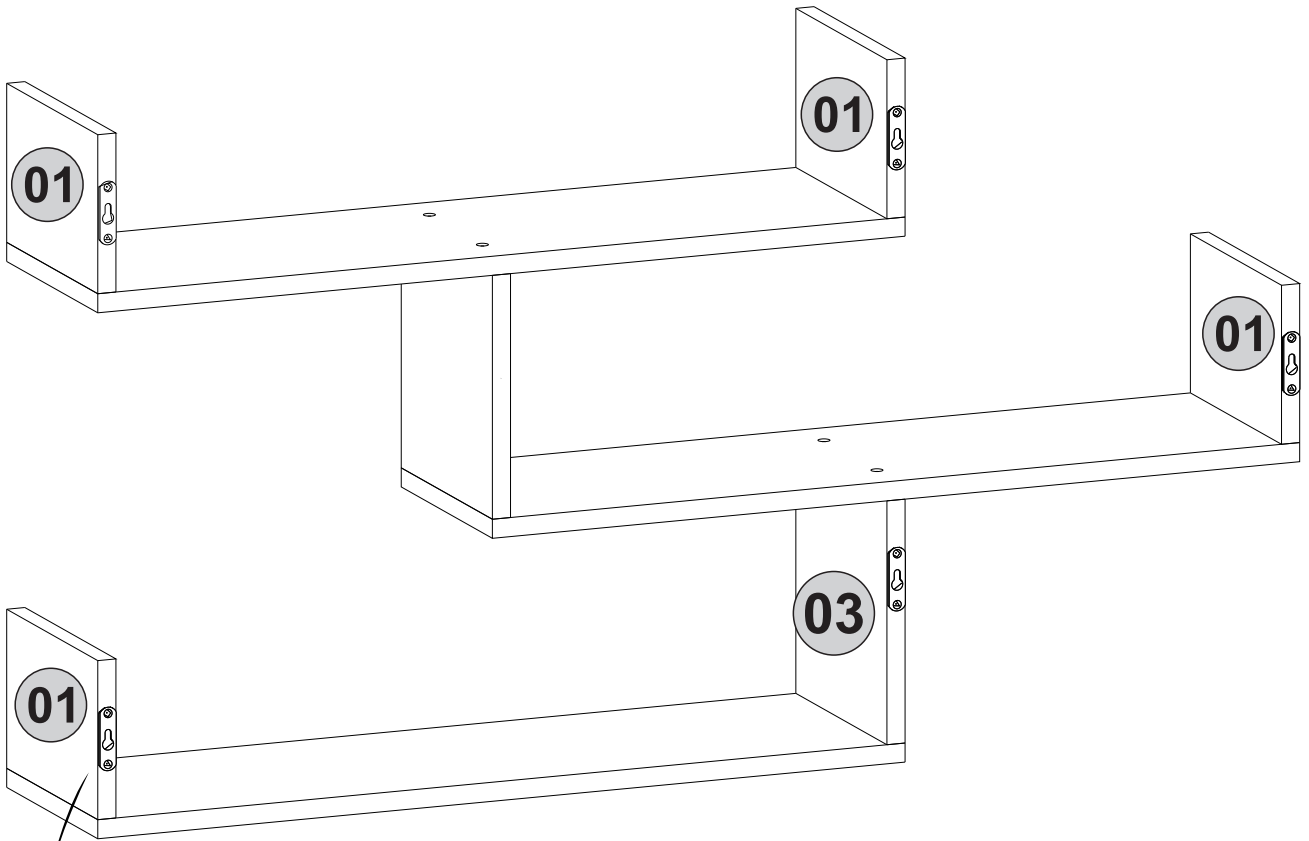
4 step



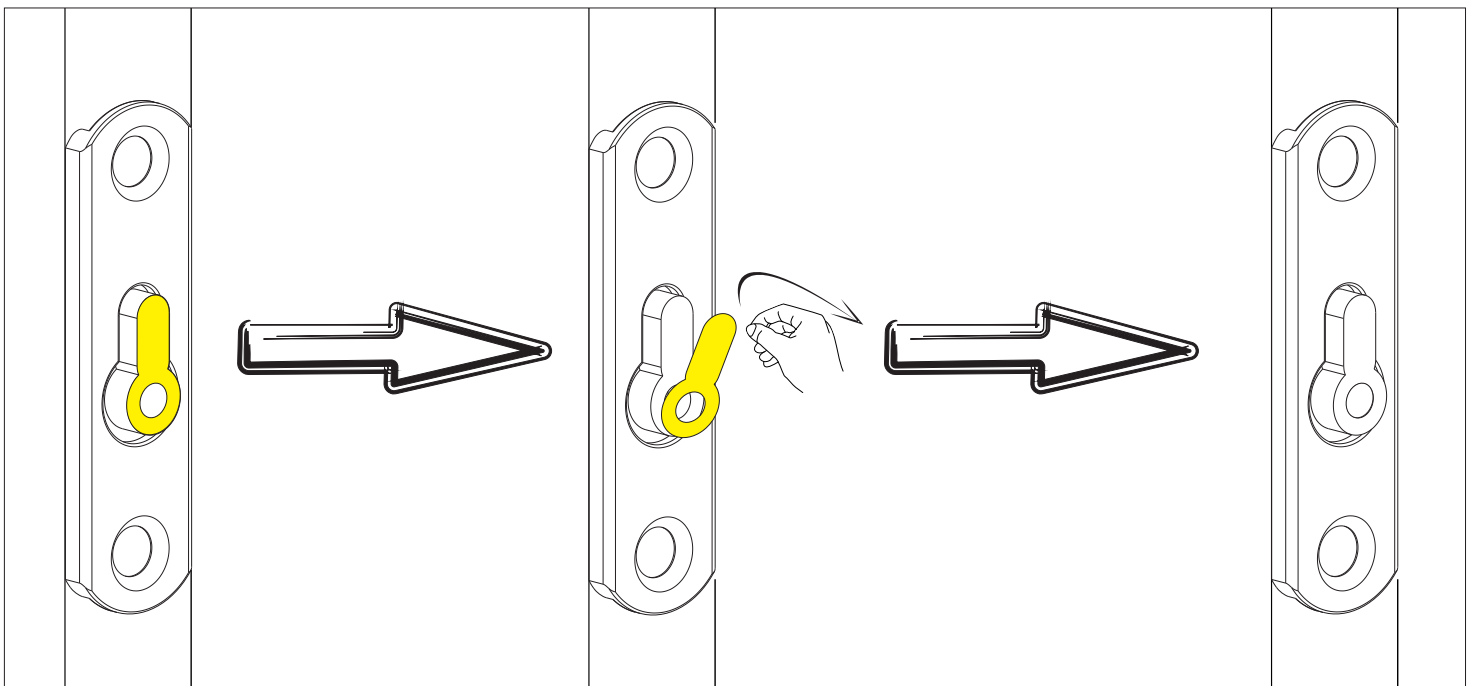
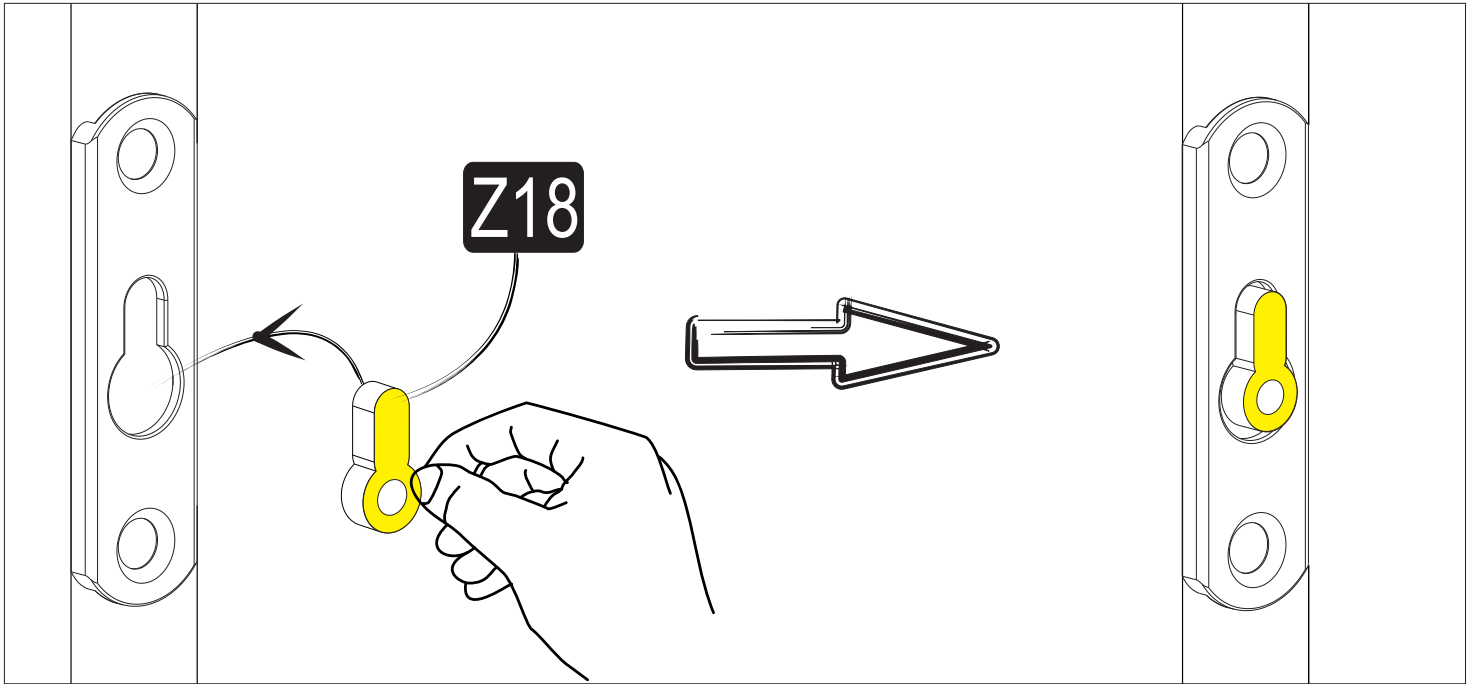
5. step



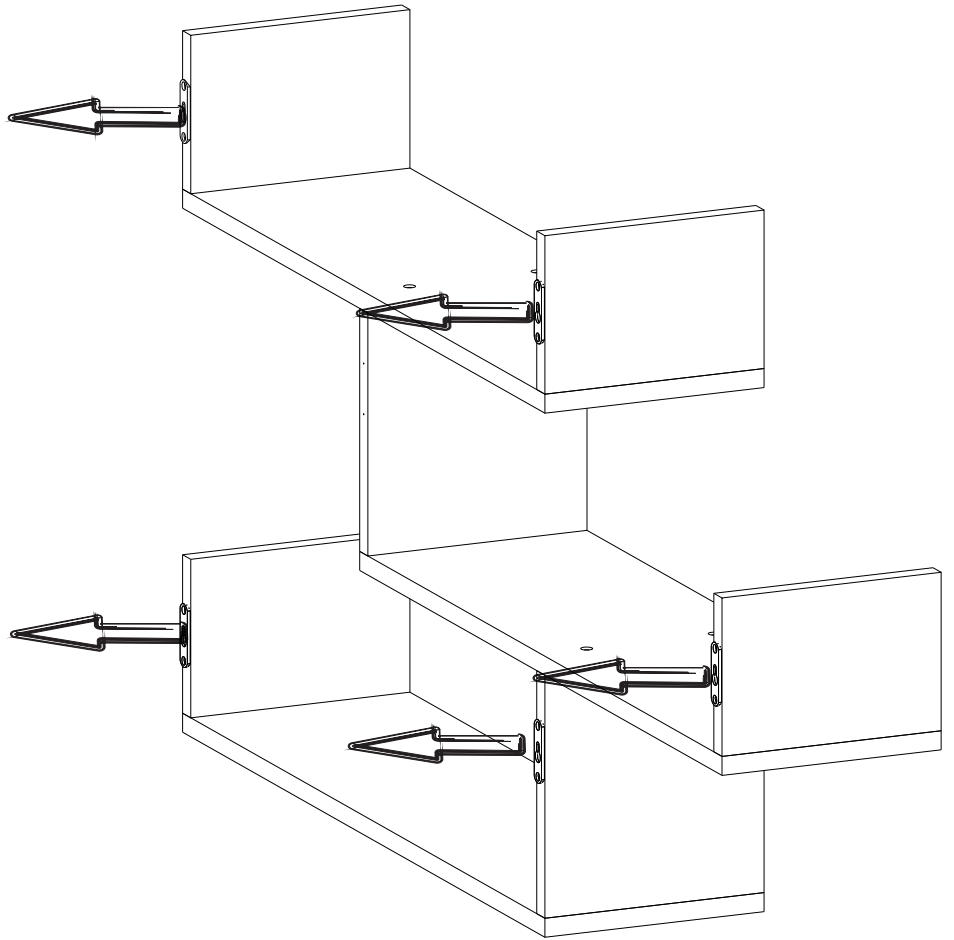
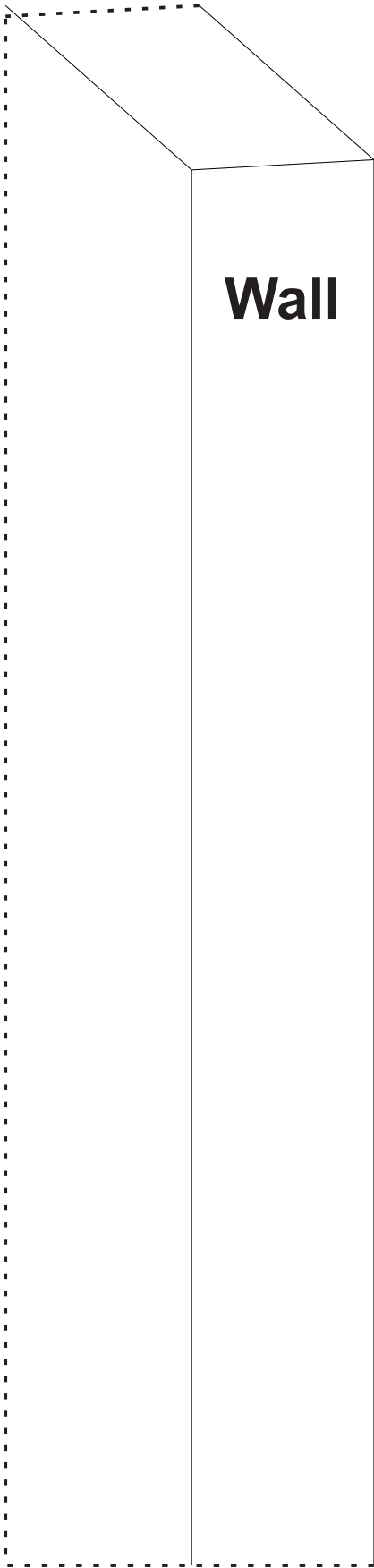
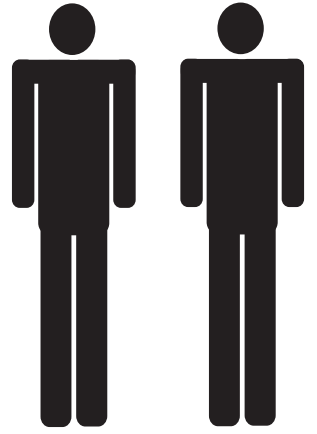
6^{step}



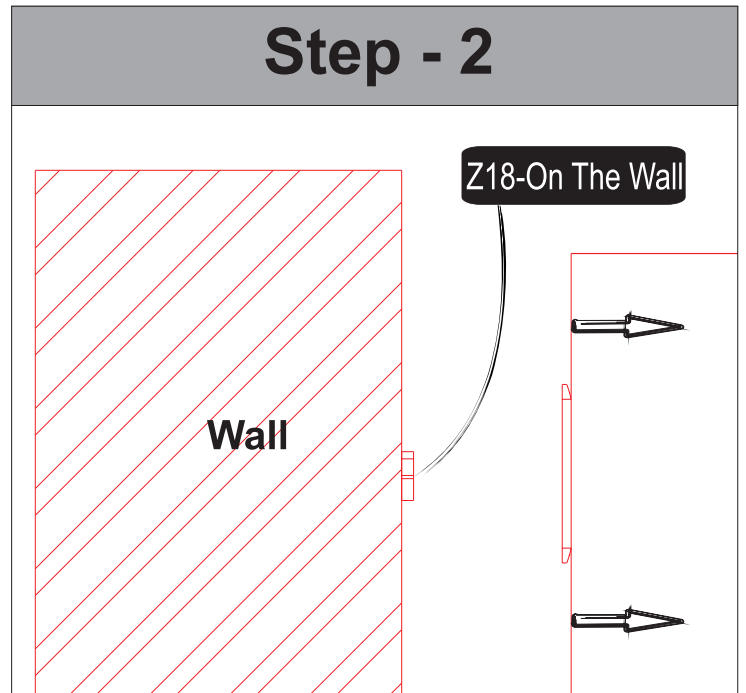
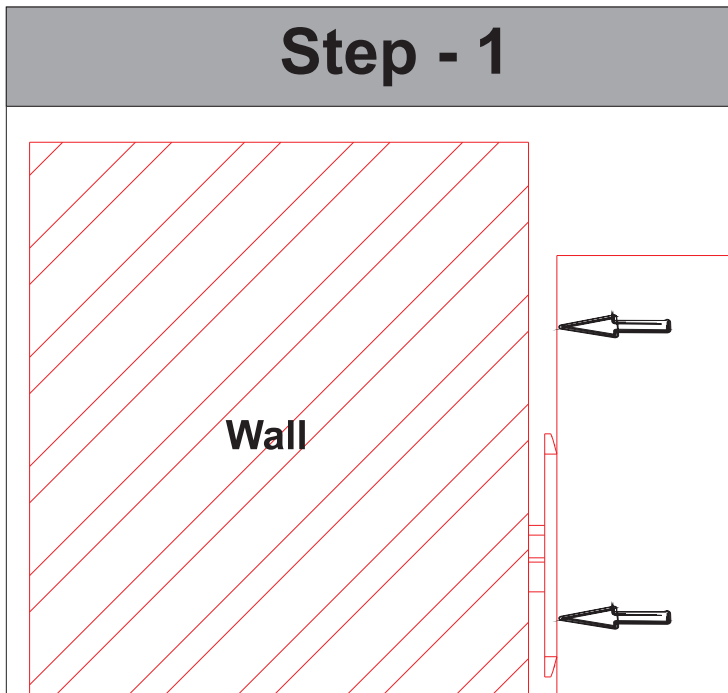
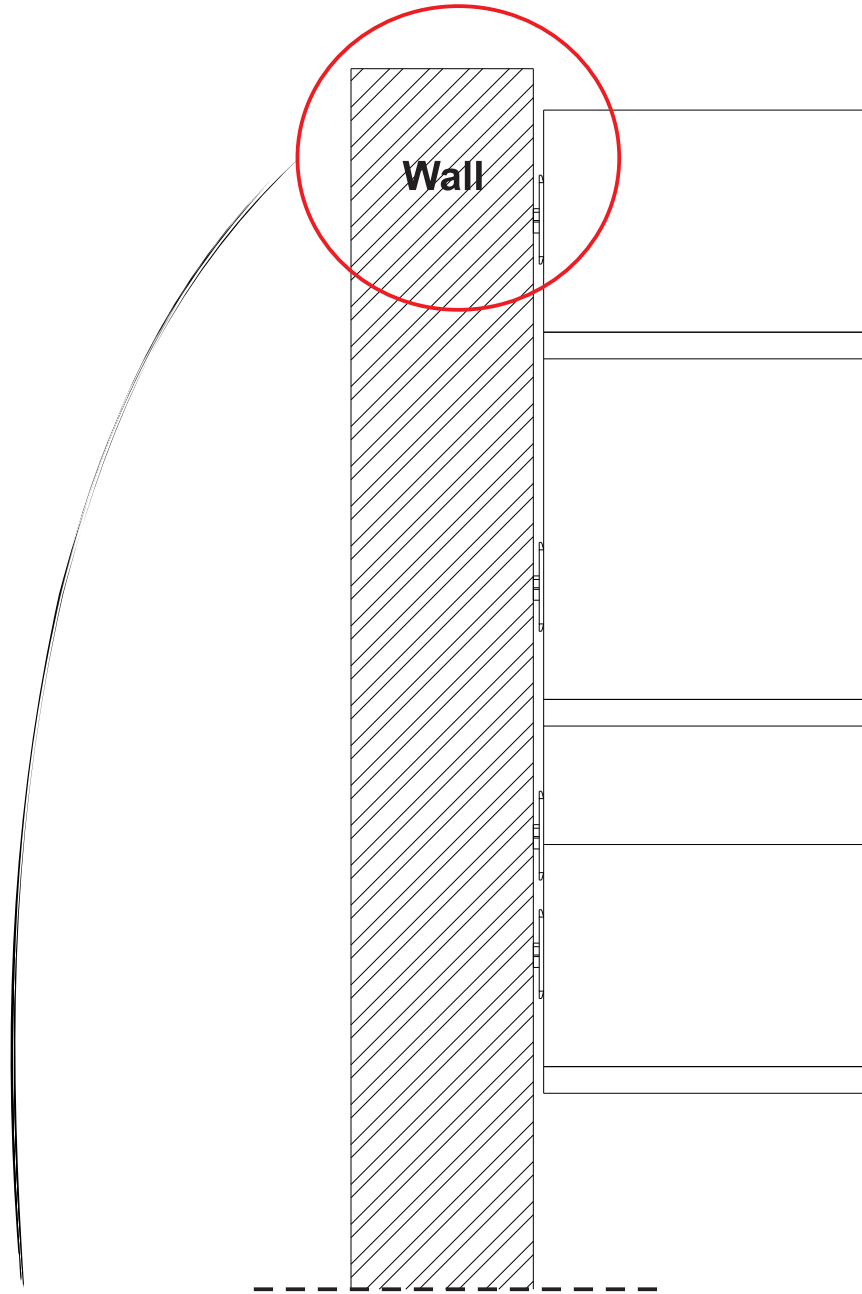
7 step



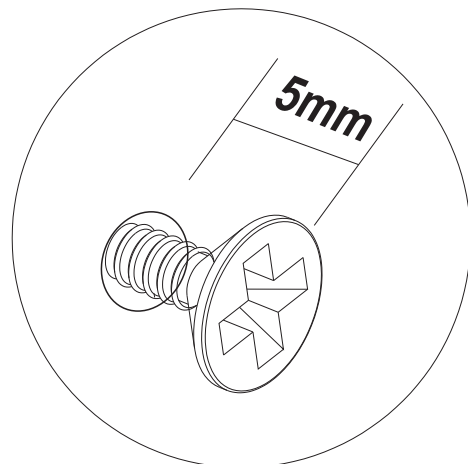
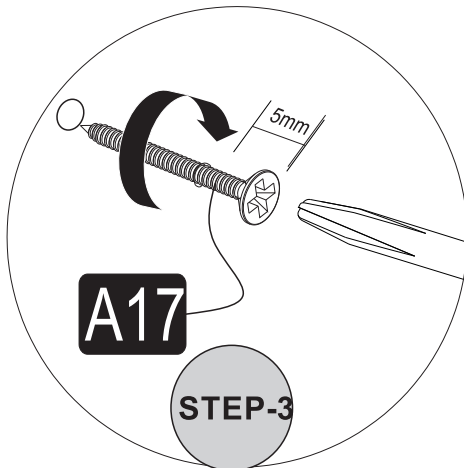
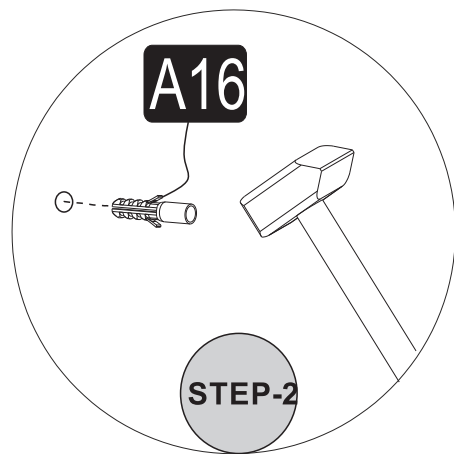
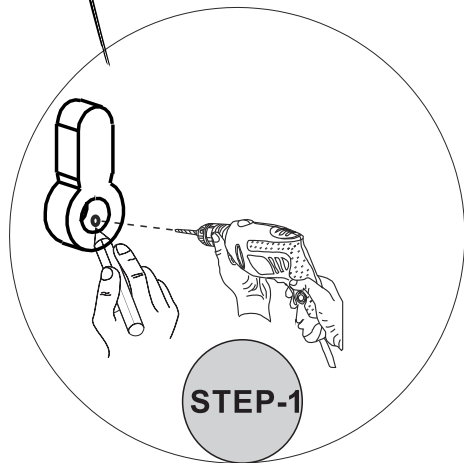
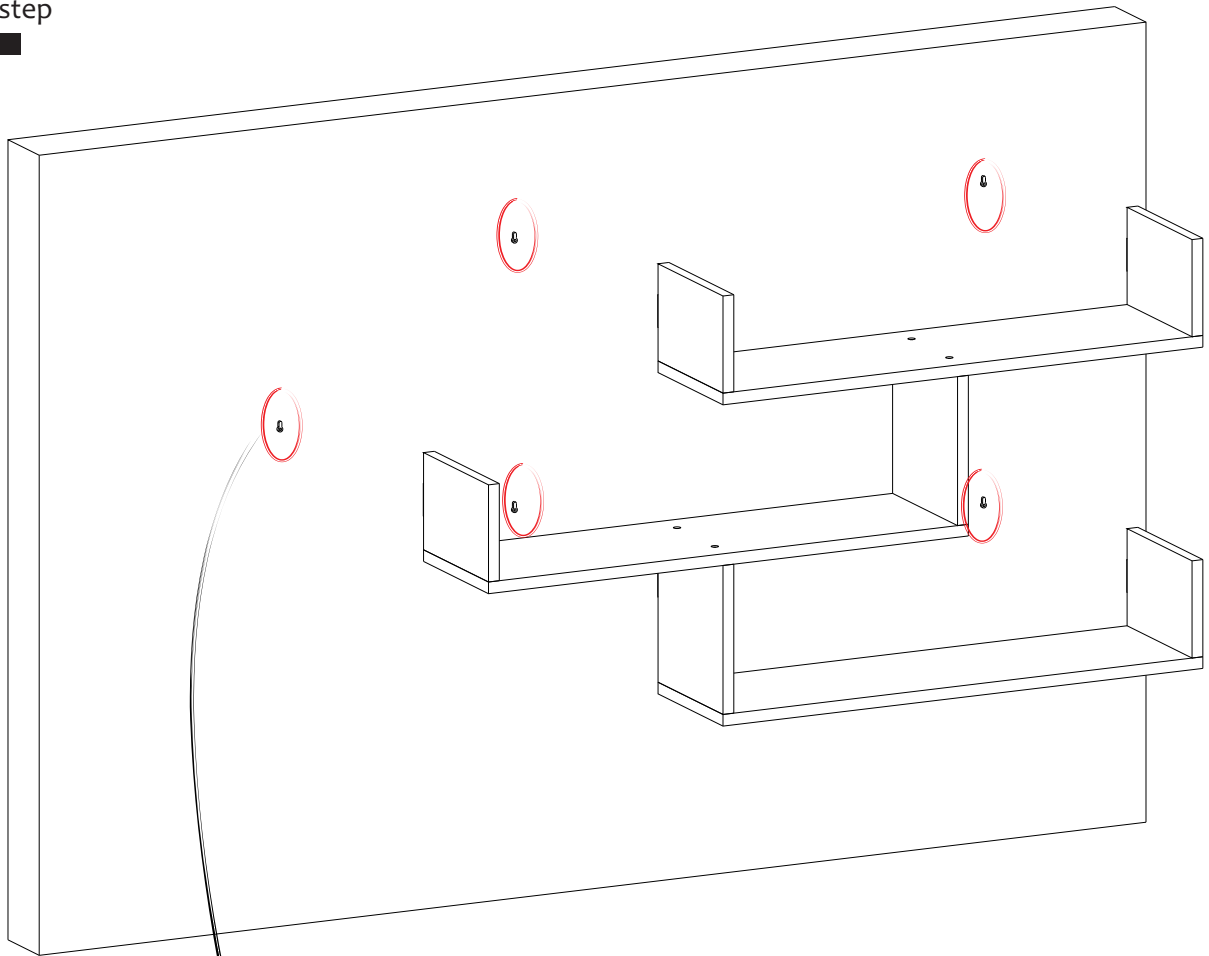
8 step



9 step



10.^{step}



11. step

