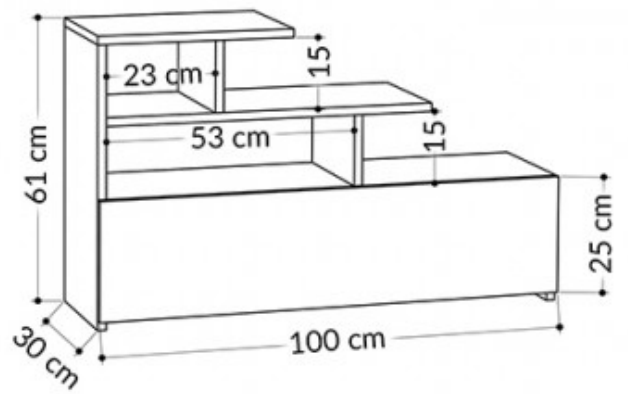
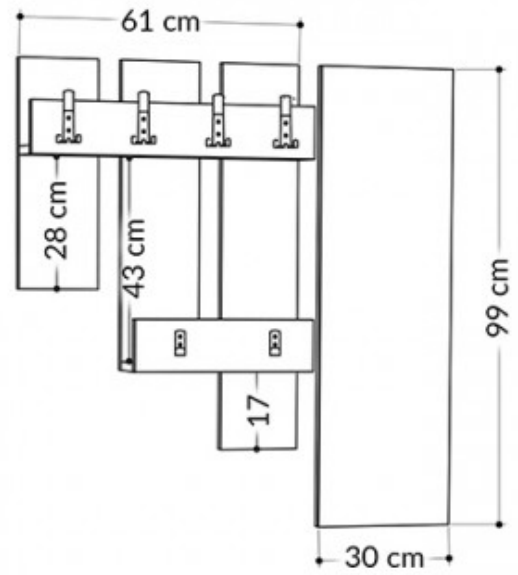


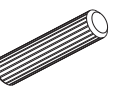

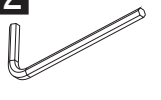
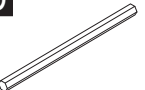
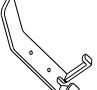



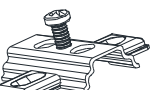

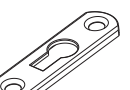
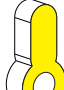

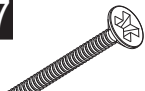

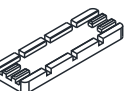


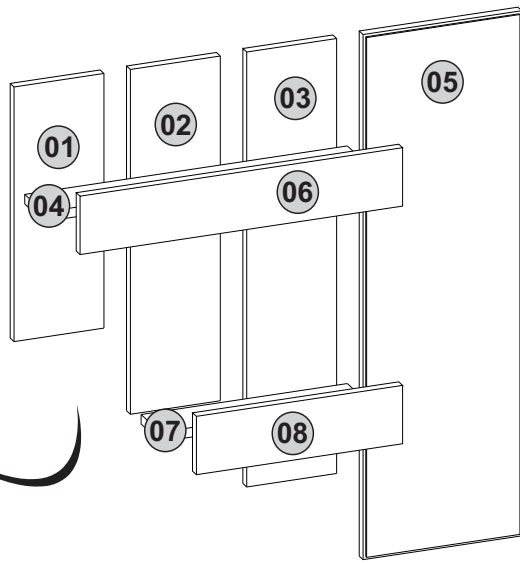


GP037-0043,5

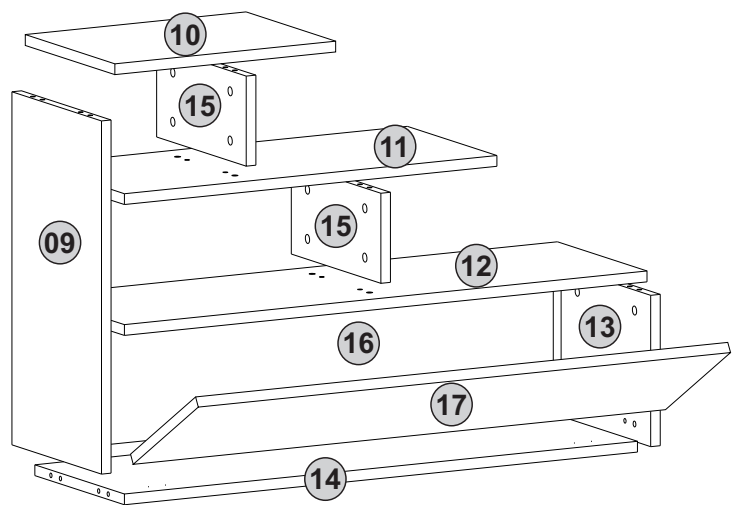


A22 Minifix k18  28x	A23 Minifix M10  28x	A04 Ø8  28x	A13 50mm  10x	A12 4 SW  1x
A26 Allen  1x	Z40 20x35x105  4x	Z39 20x30x45  2x	A50 3,5x16(black)  12x	C01 DM  2x
C04 Mtk  2x	A18 3,5x18  24x	A32 60/16  8x	Z18 Gbody  8x	A16 DbØ8  8x
A17 4X50  8x	A06 18mm C1 28x C2 8x C3 2x 	A08 5mm  4x		

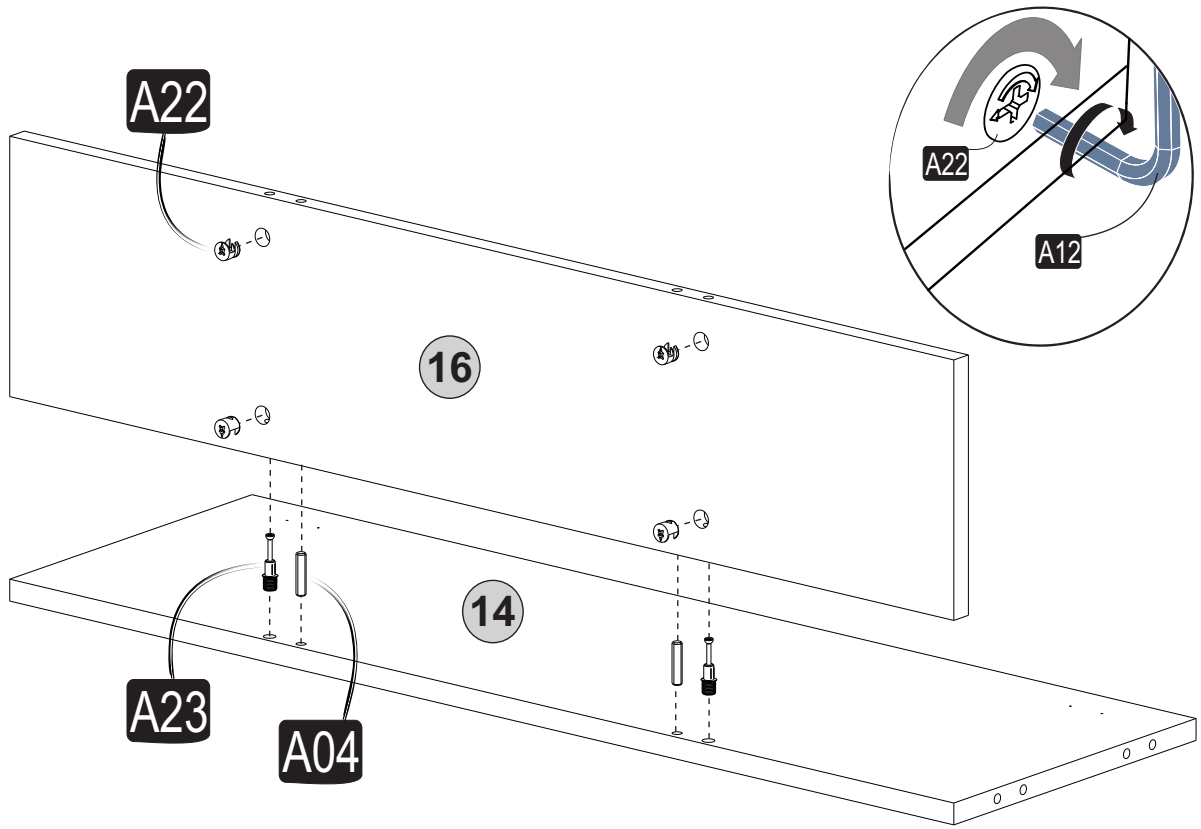
Module 2



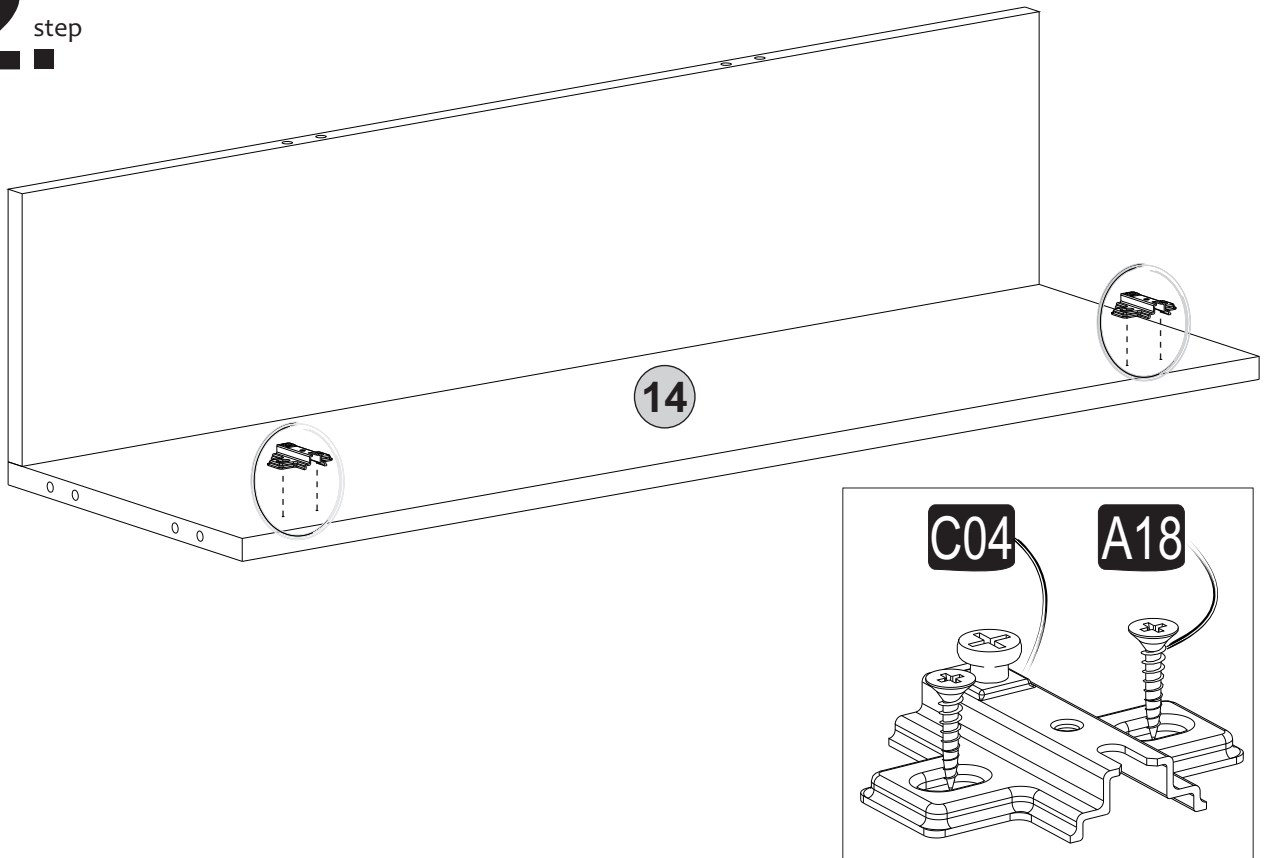
Module 1



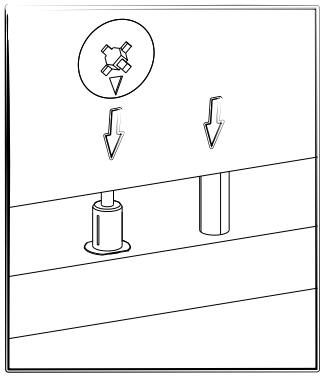
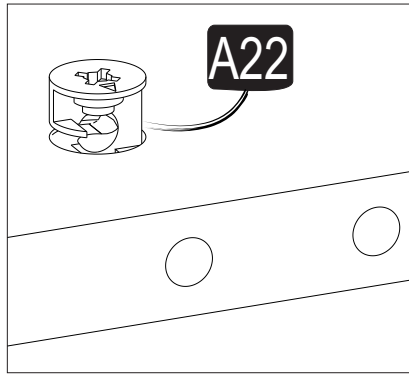
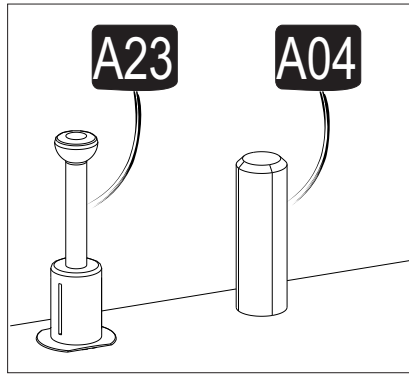
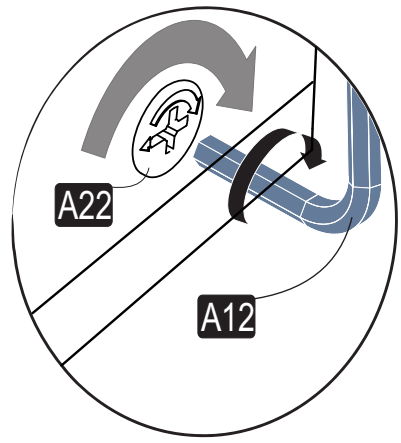
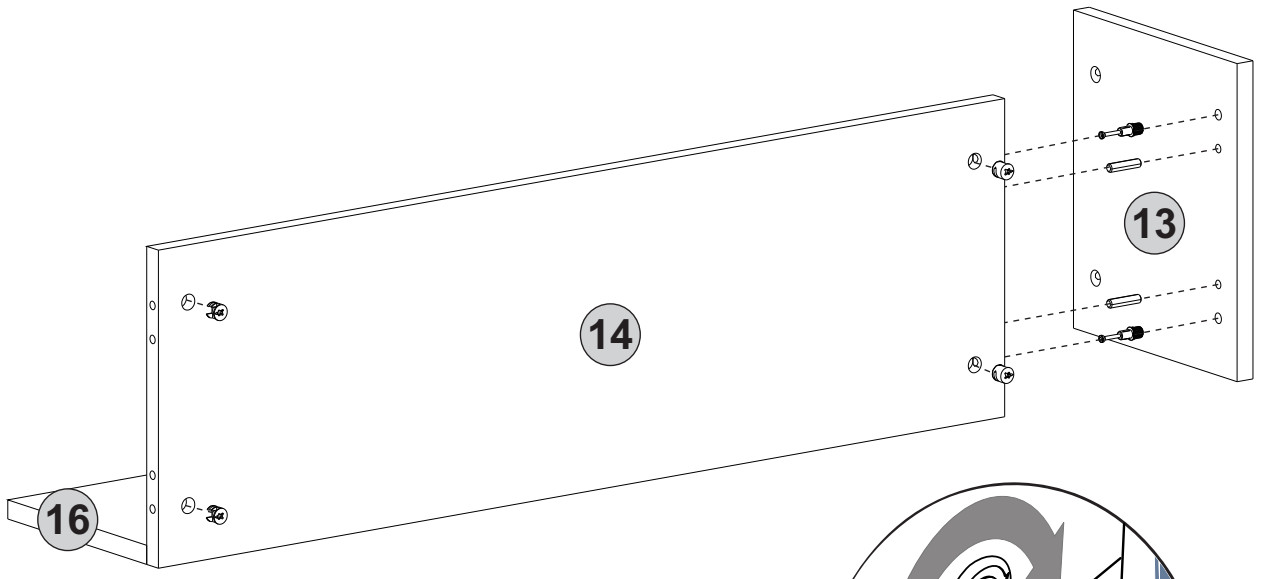
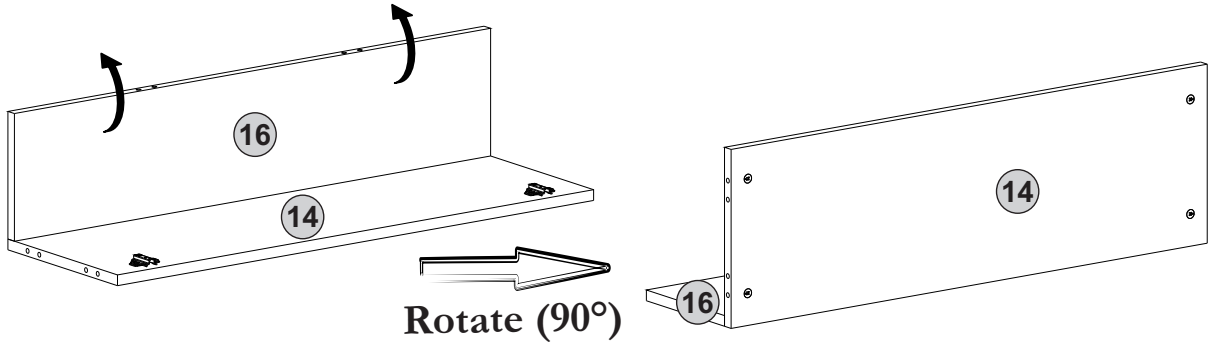
1. step



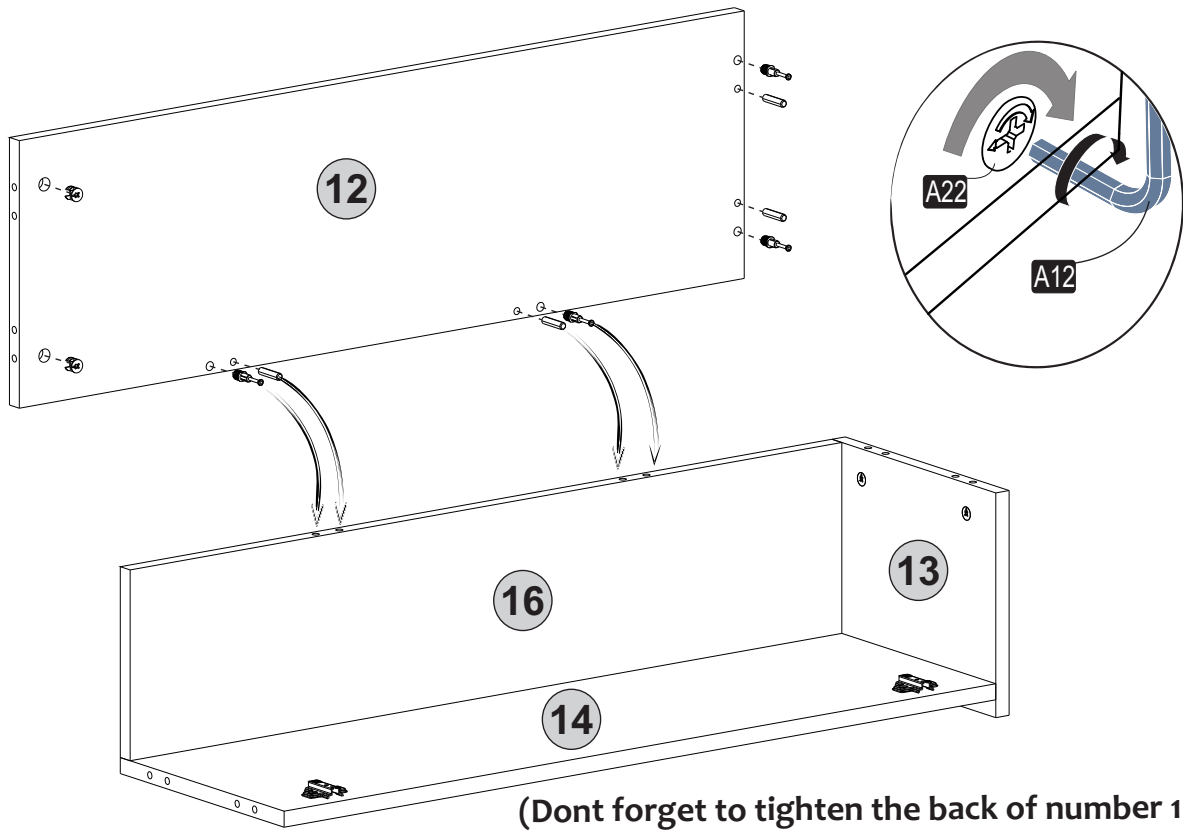
2. step



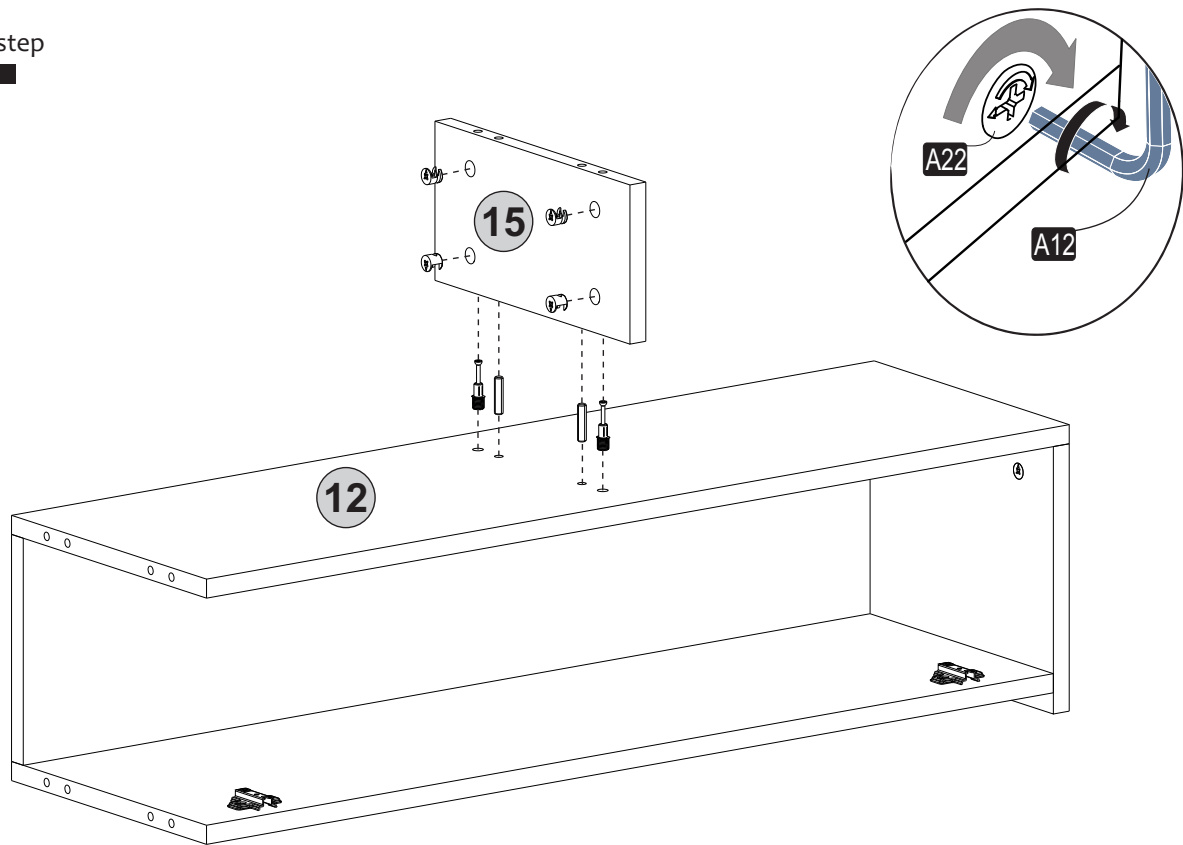
3_{step}



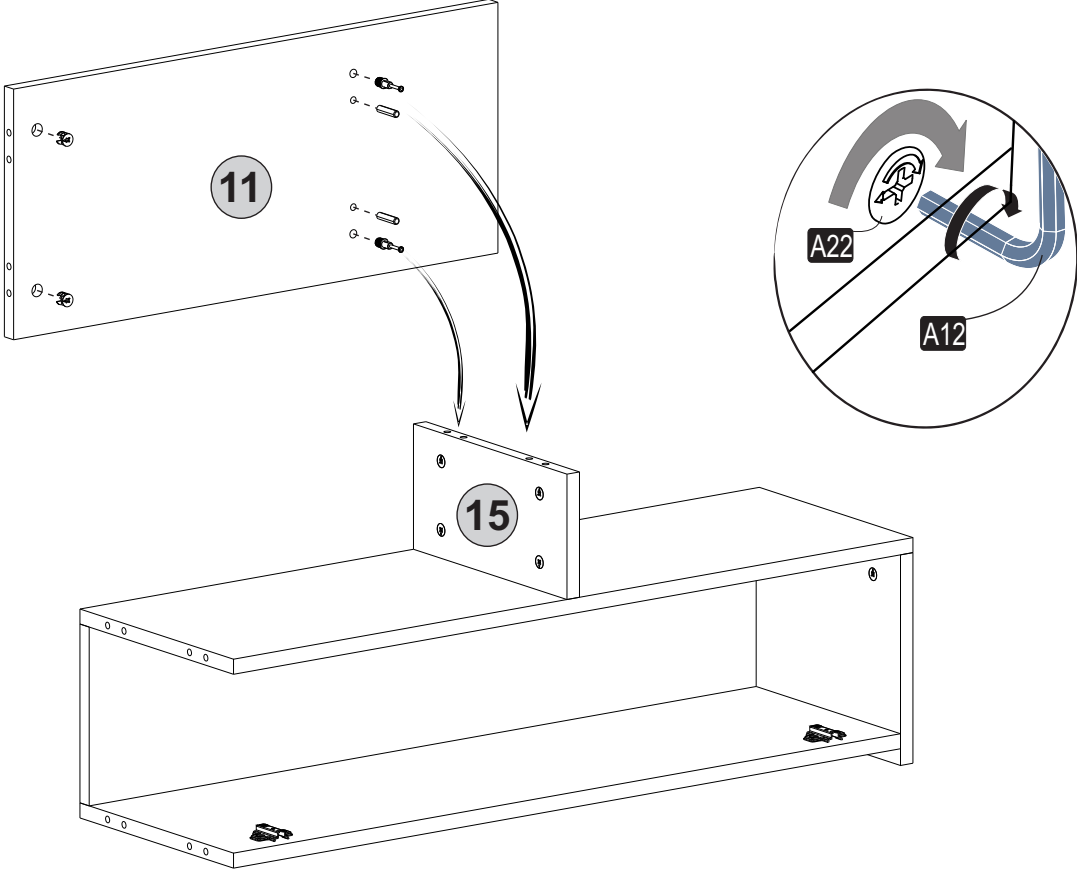
4. step



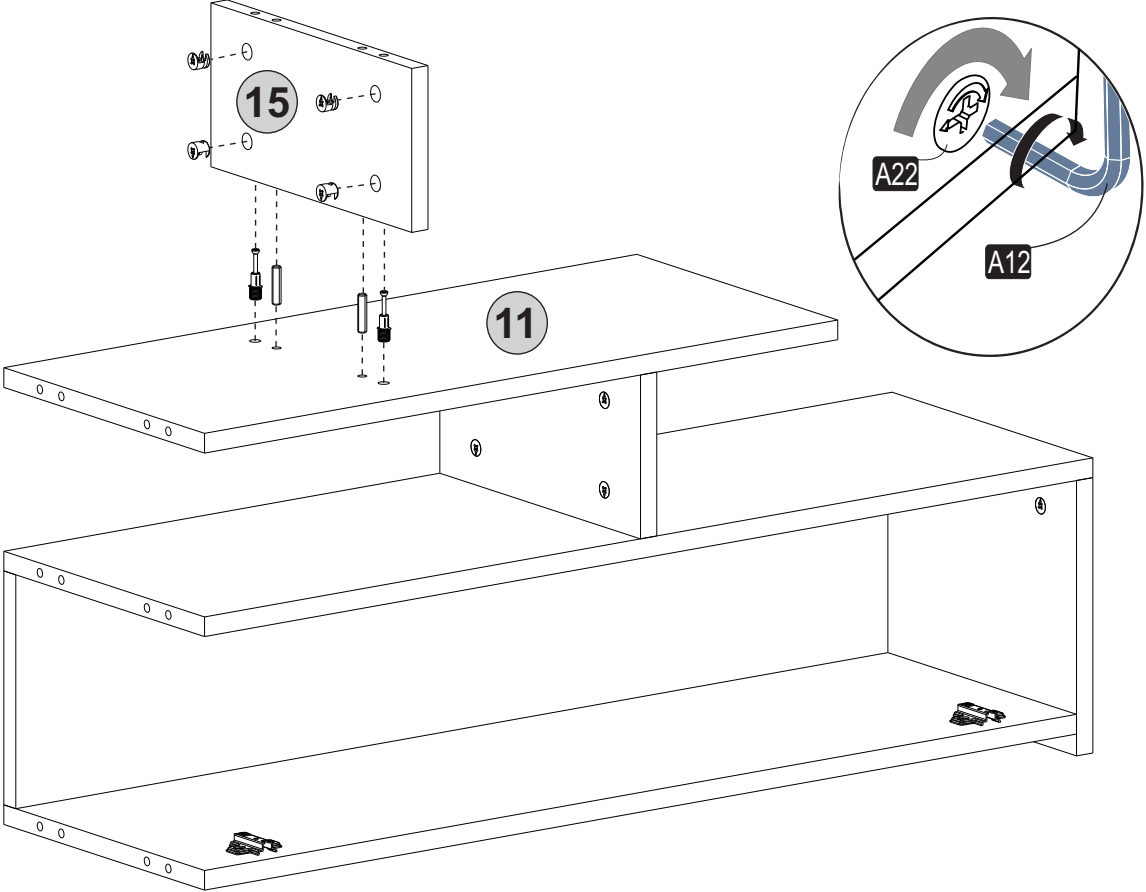
5. step



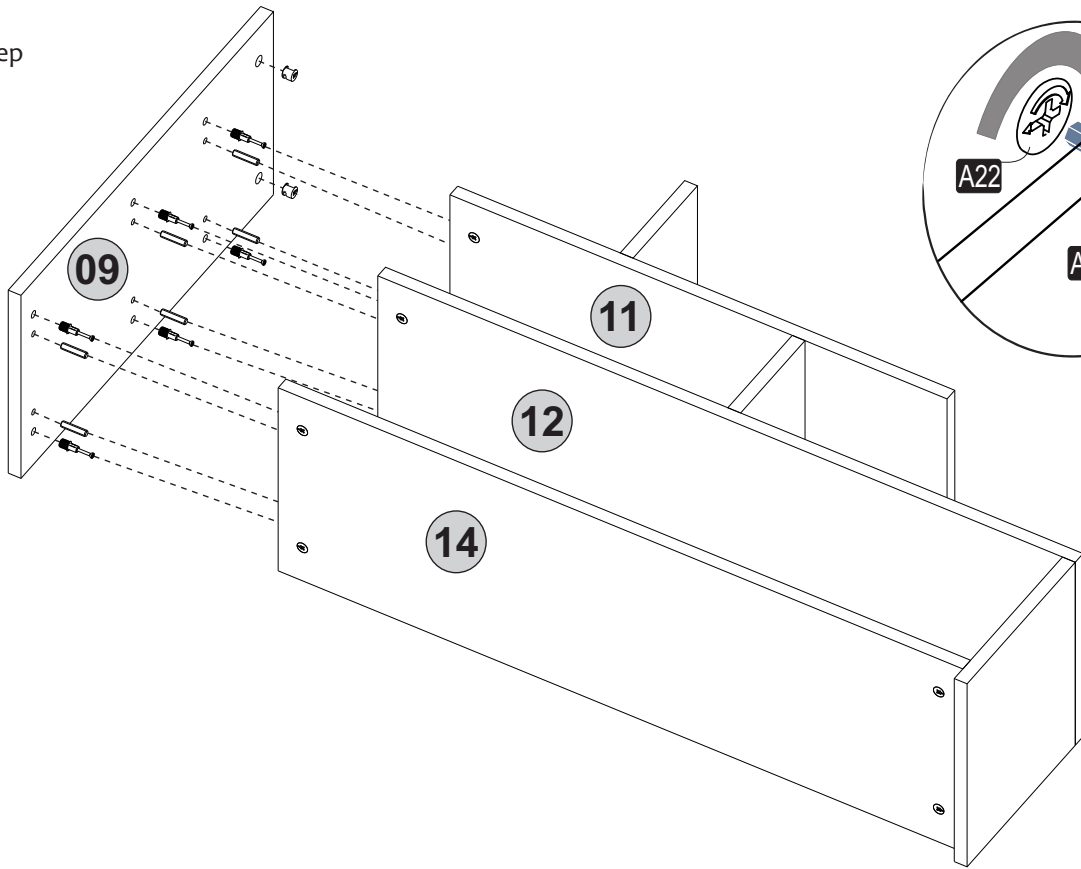
6. step



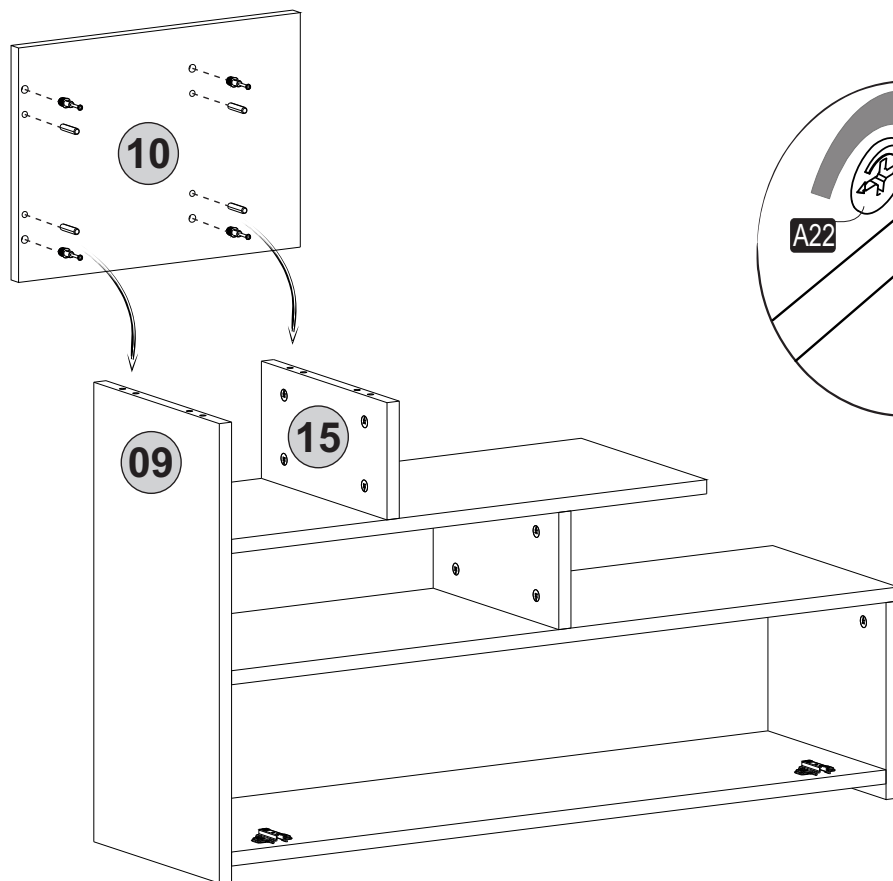
7. step



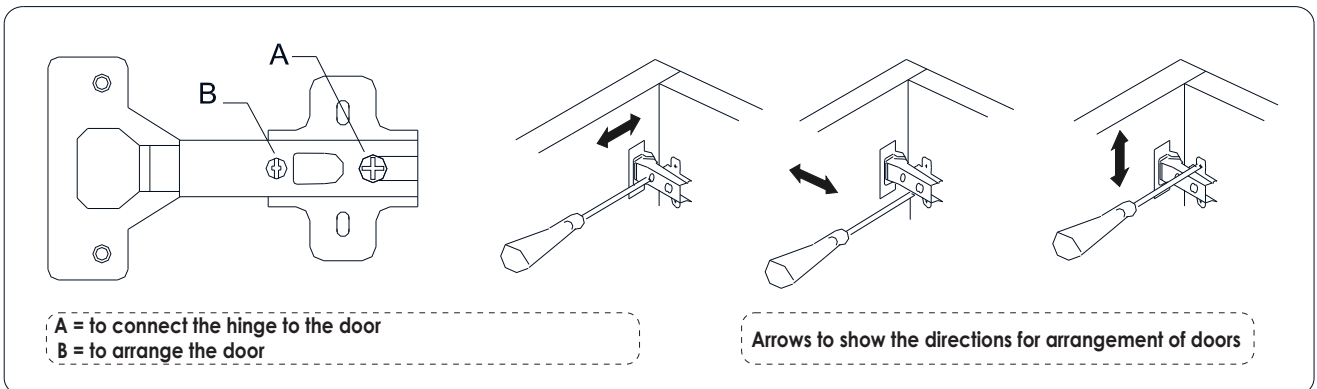
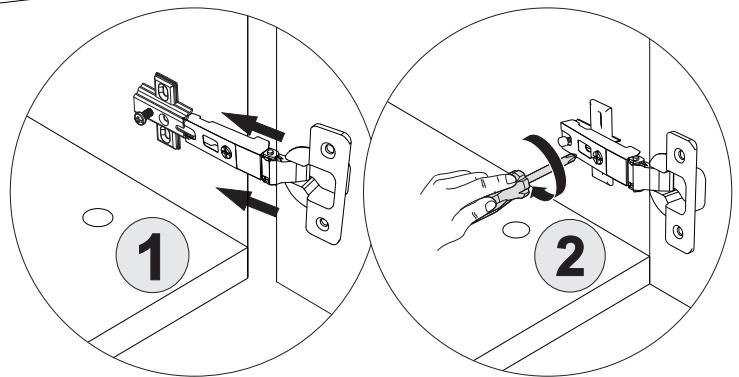
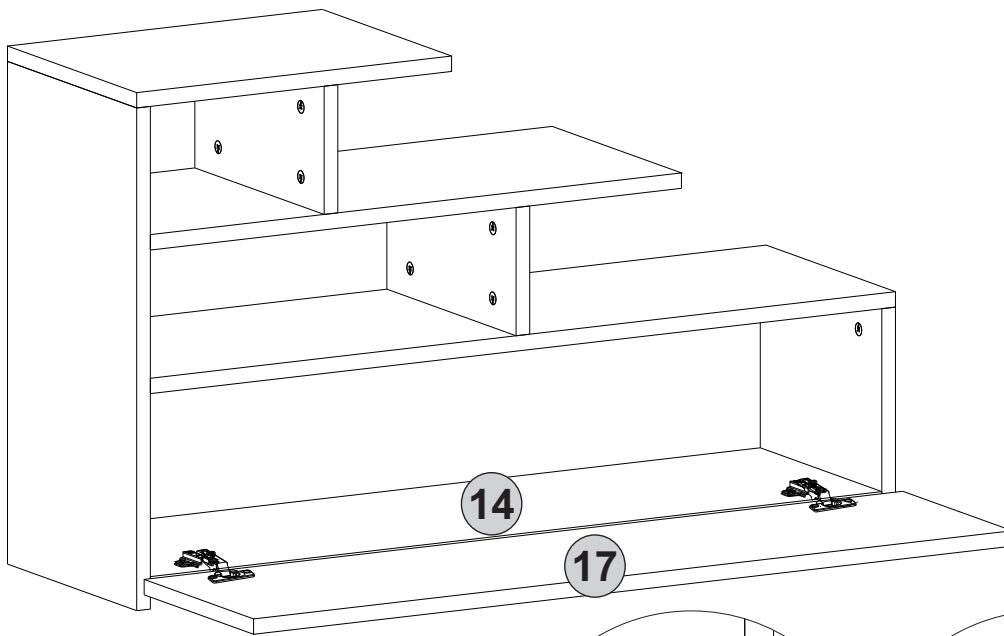
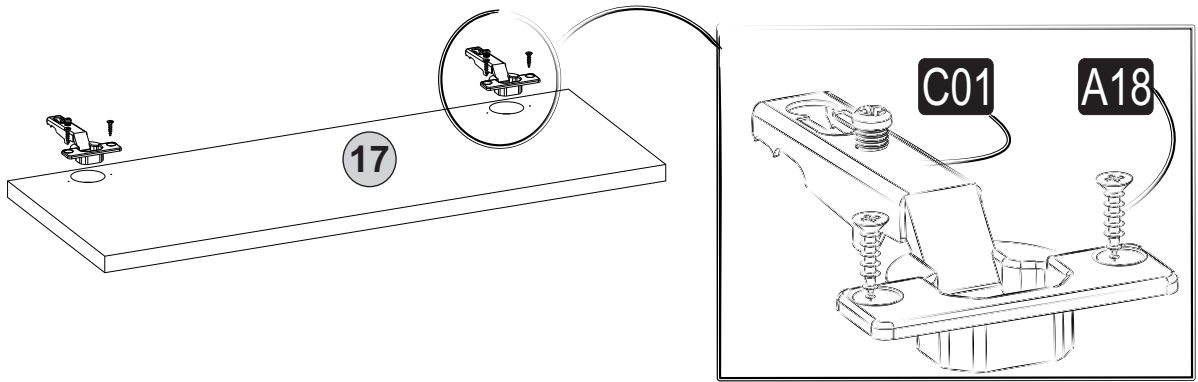
8 step



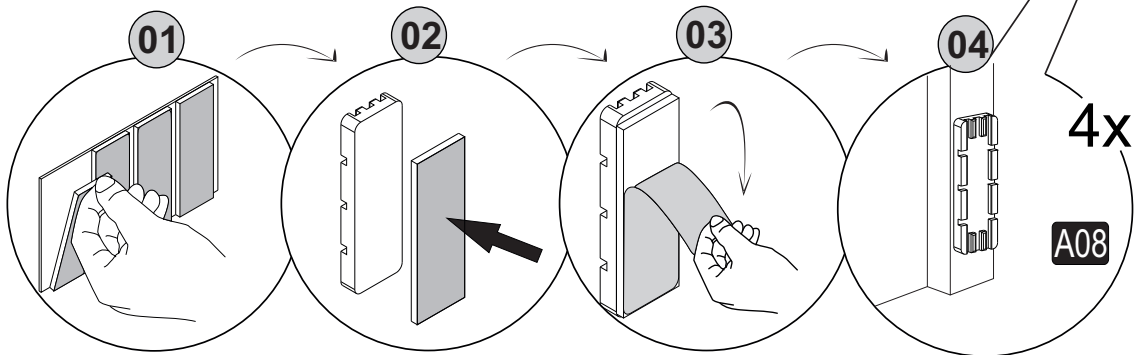
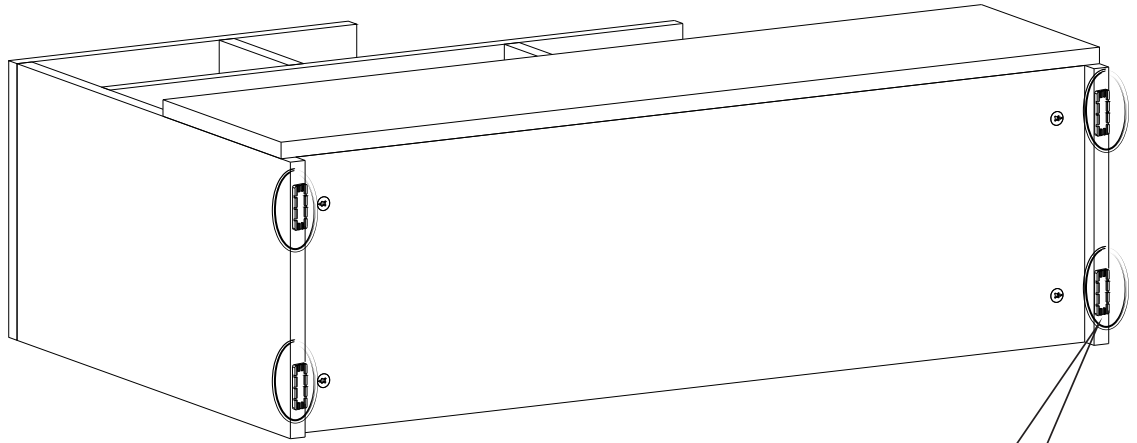
9 step



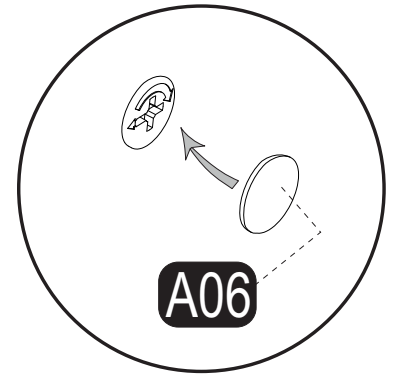
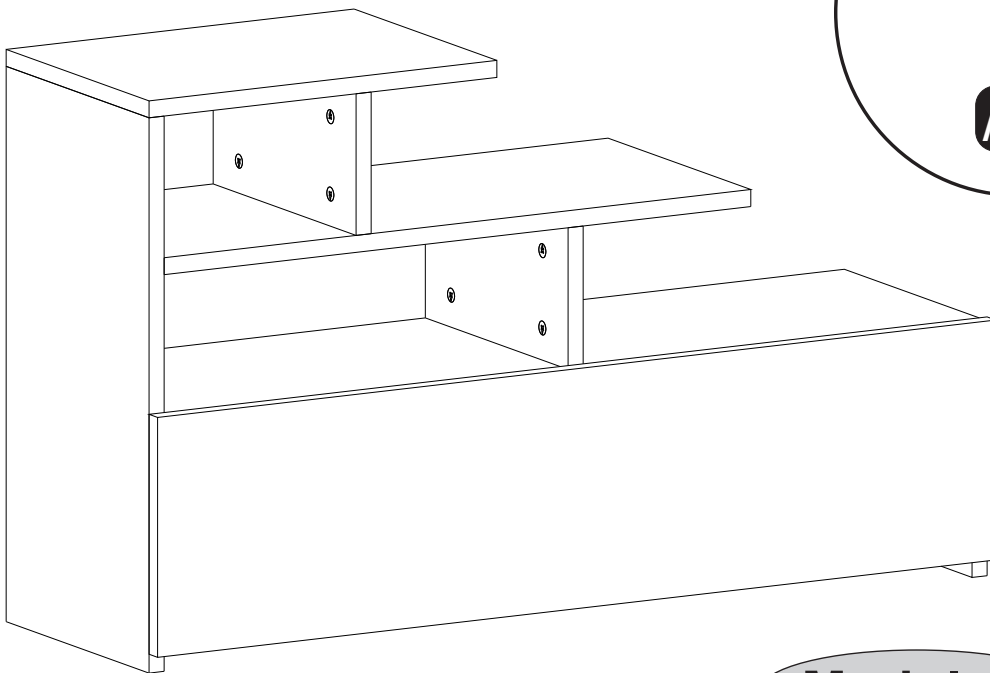
10.^{step}



11.^{step}



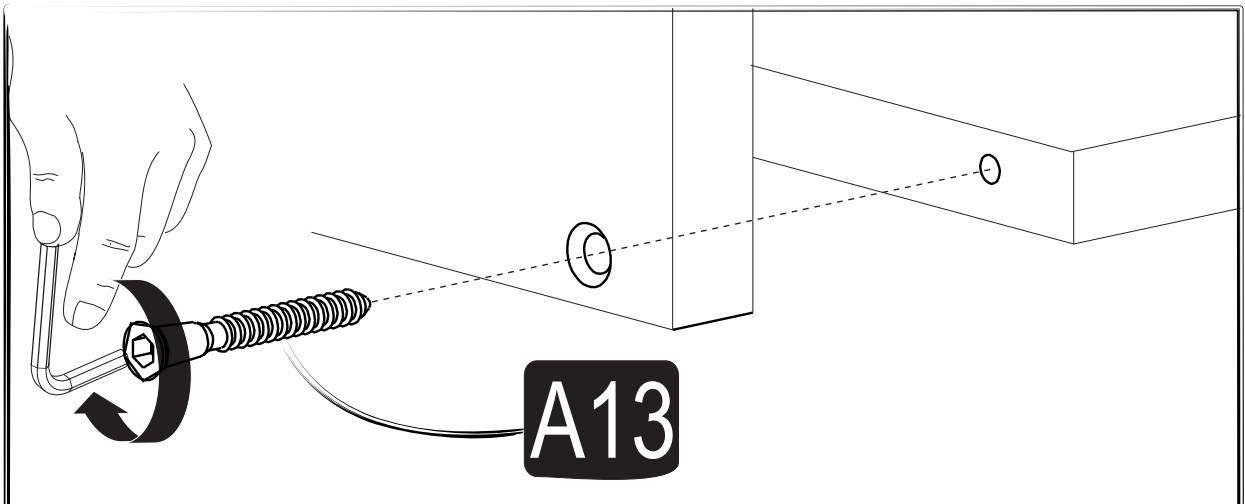
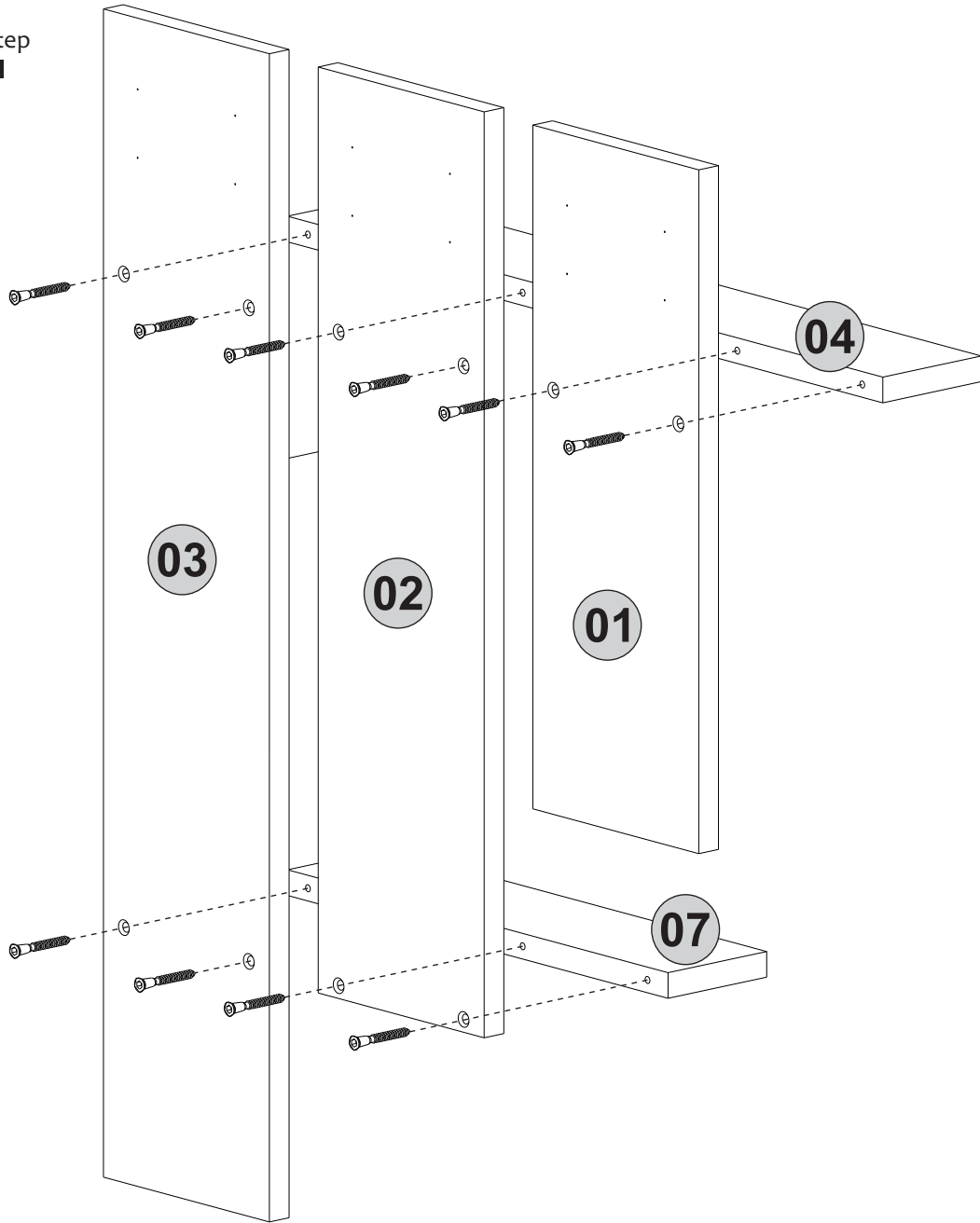
12.^{step}



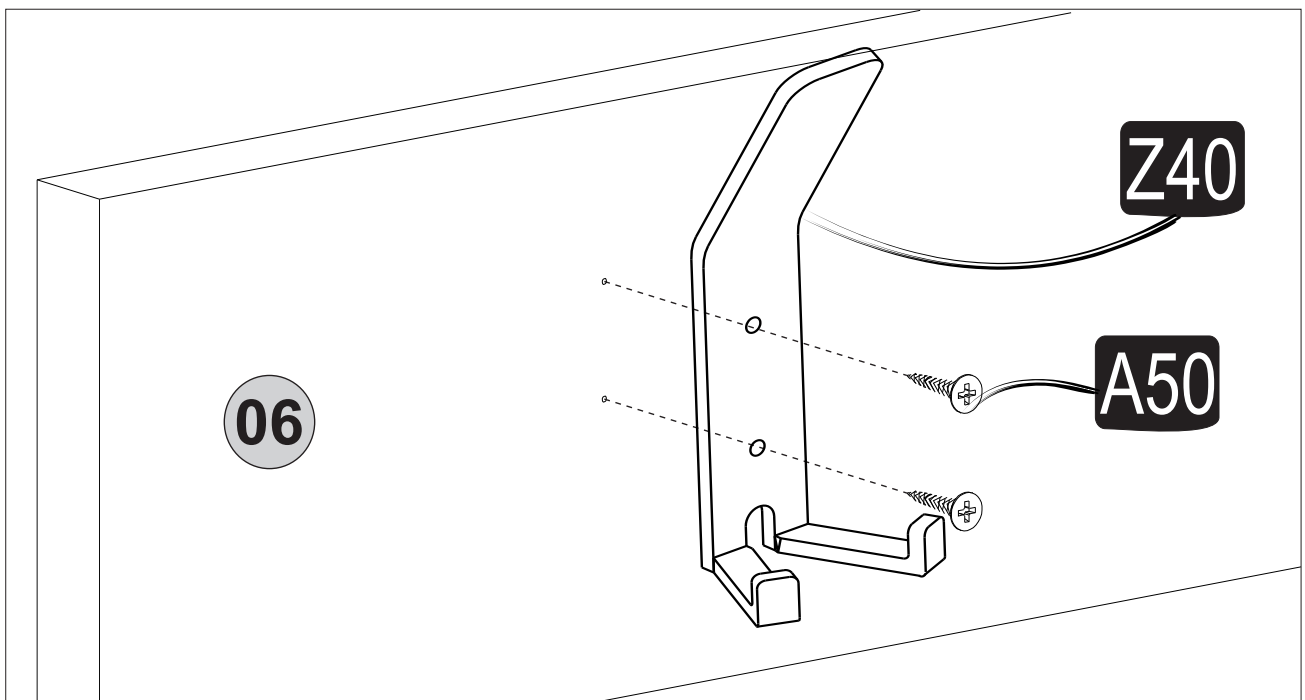
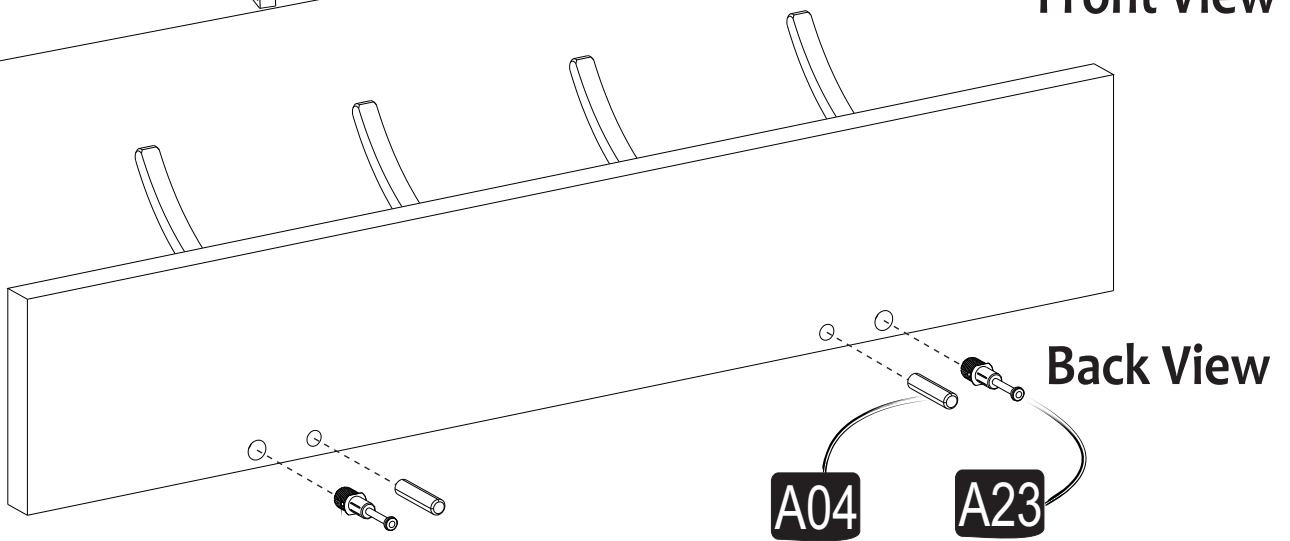
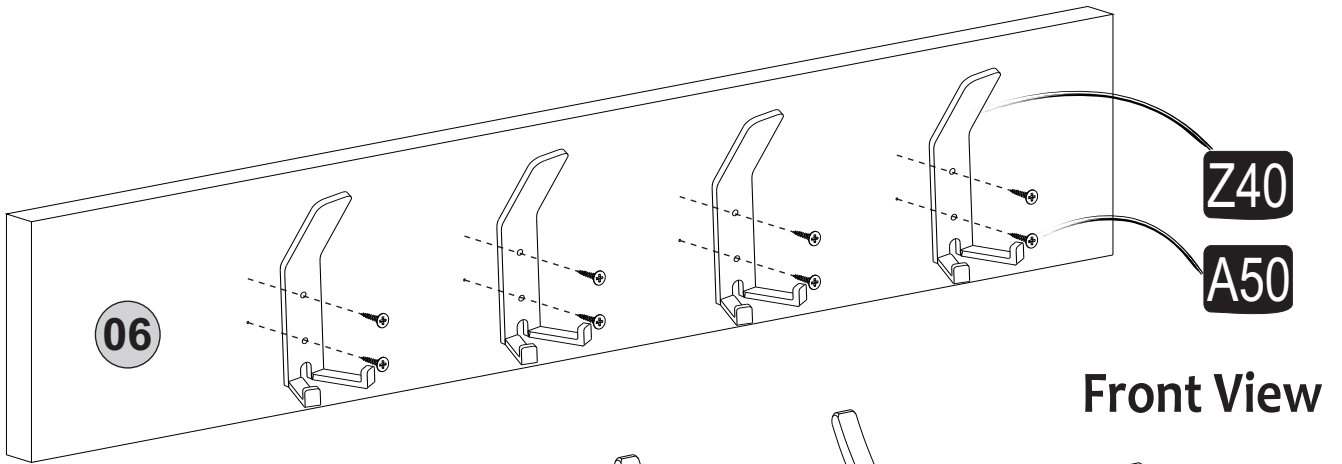
Module 1



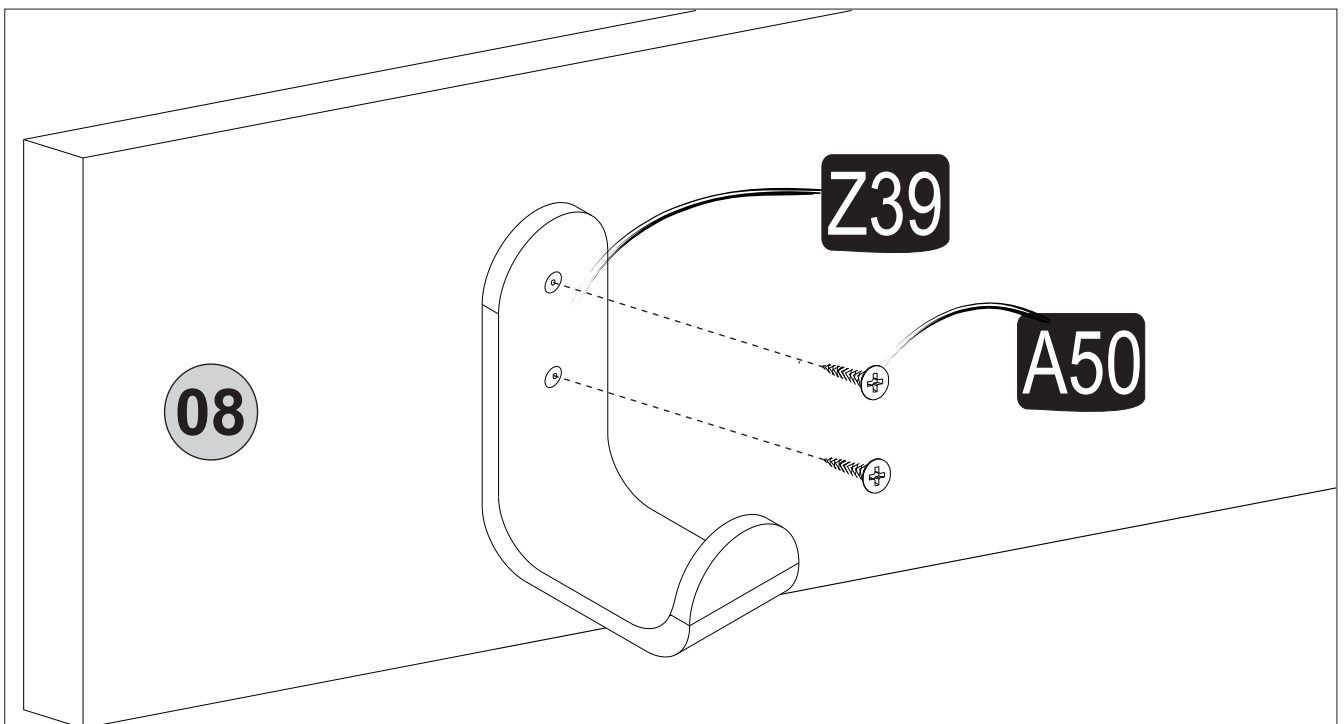
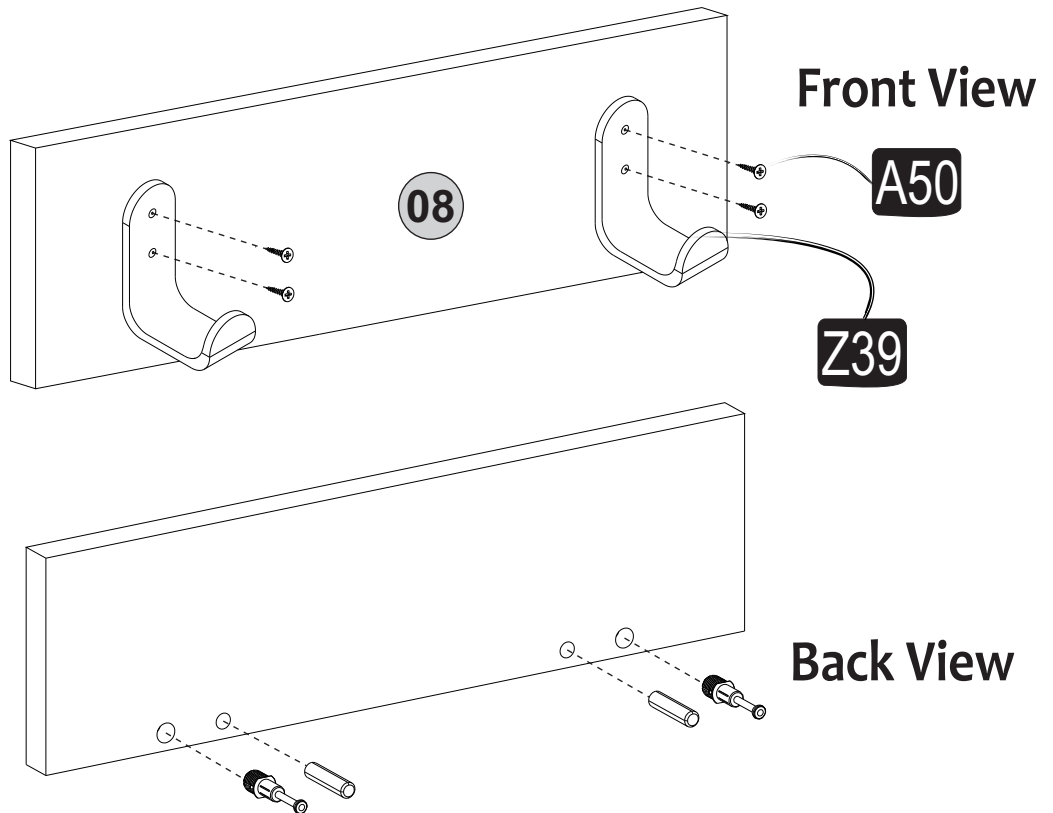
13.^{step}



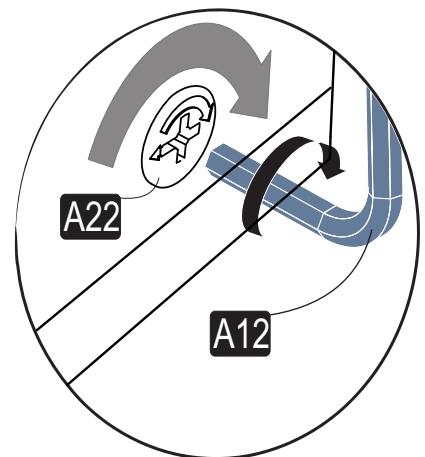
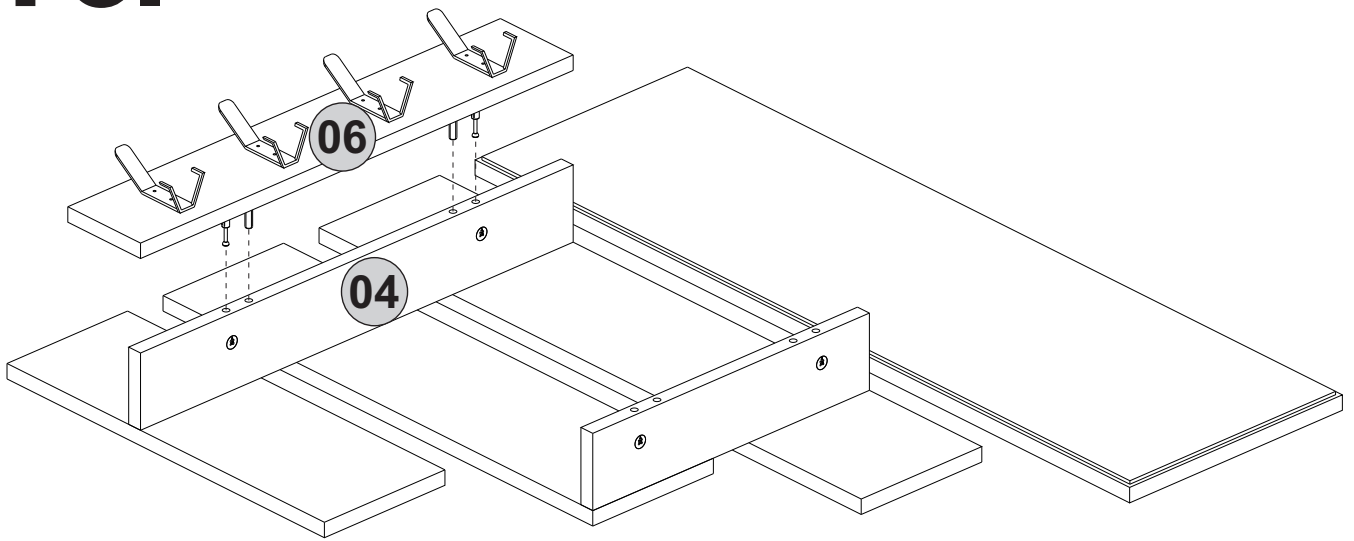
14._{step}



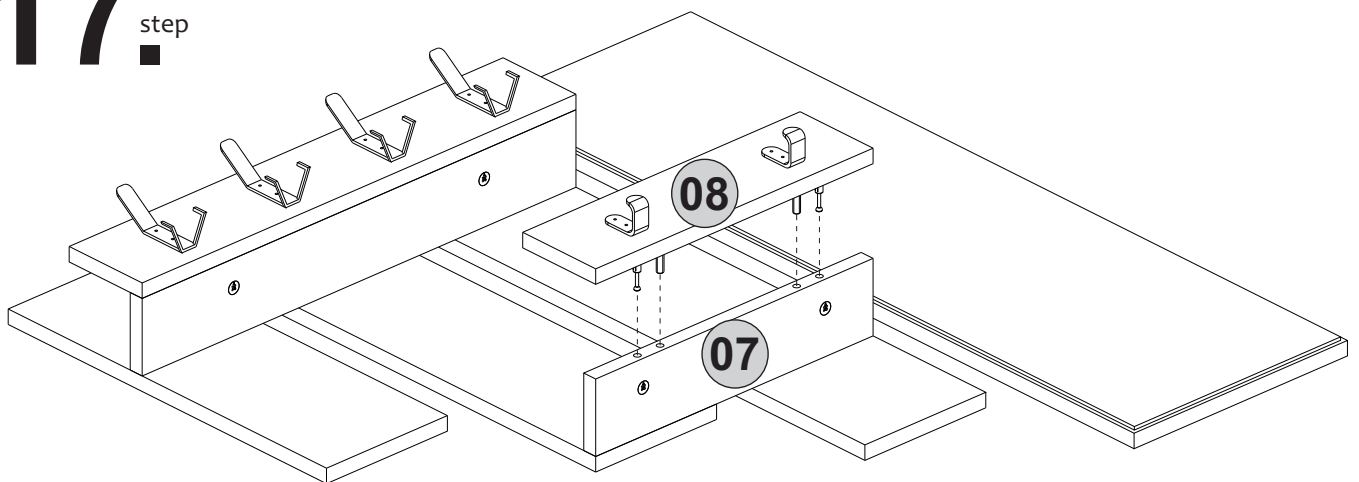
15.^{step}



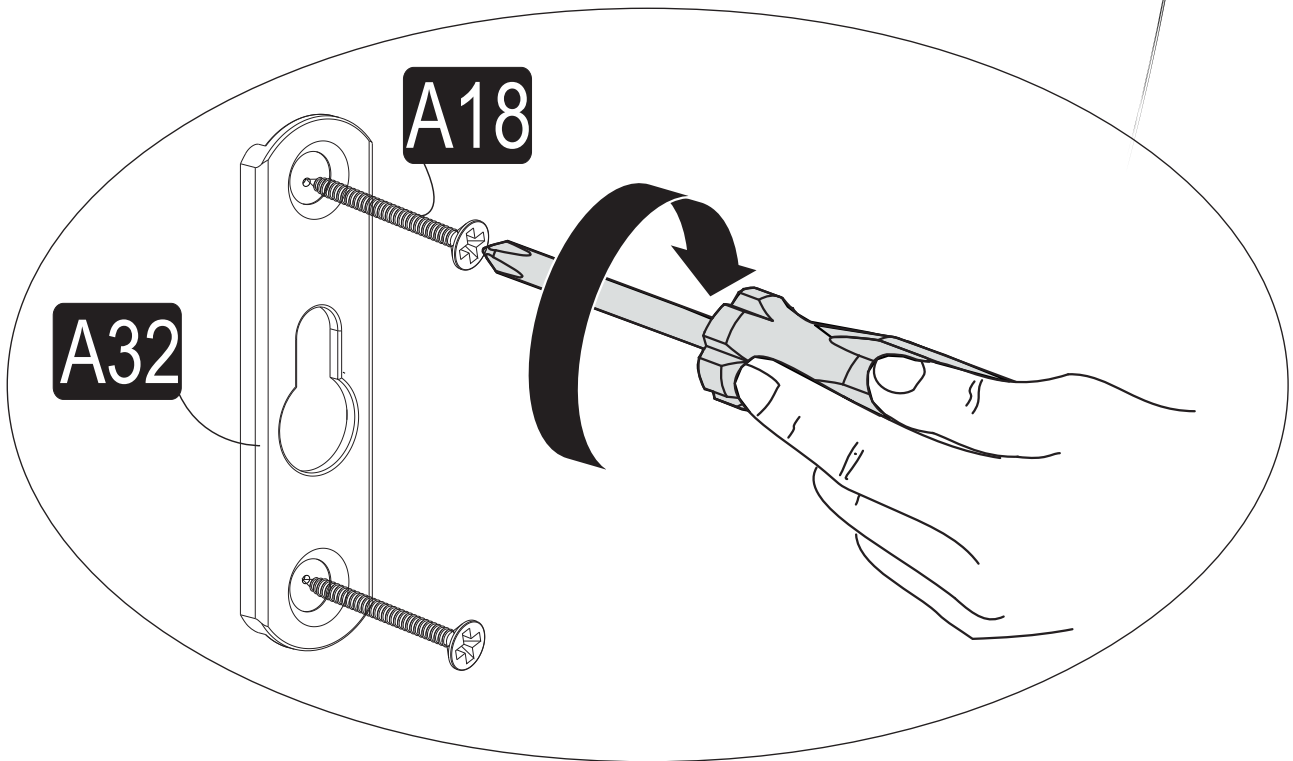
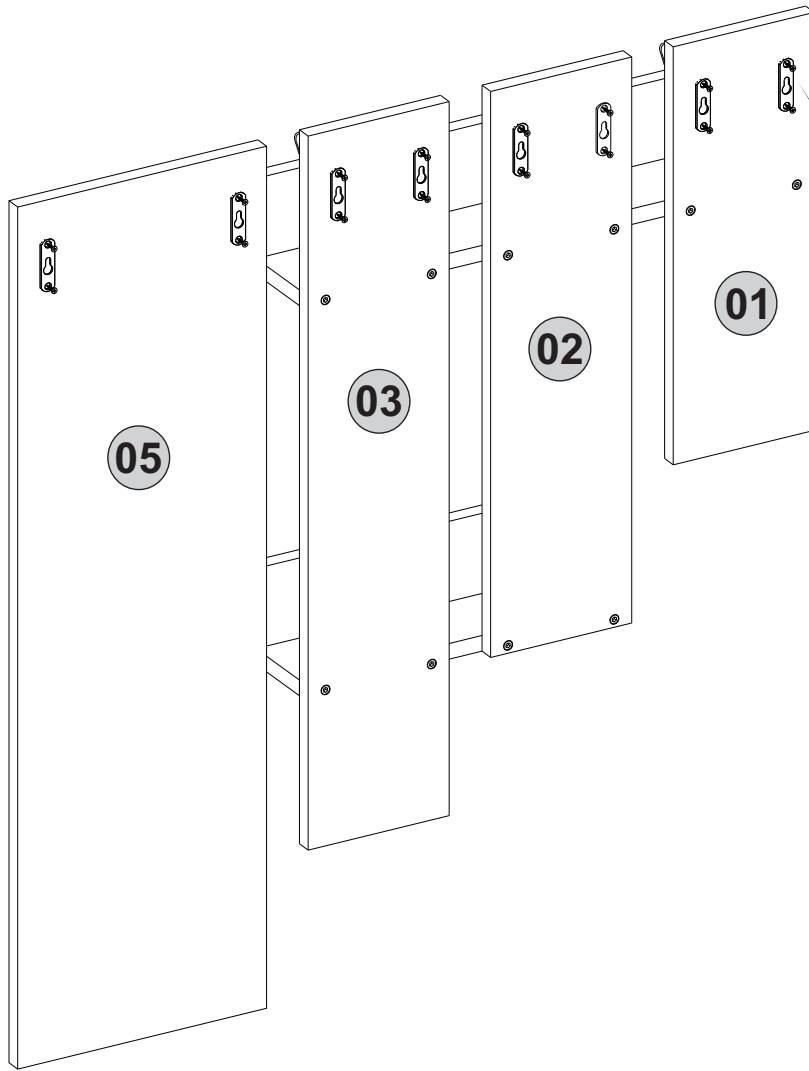
16.^{step}



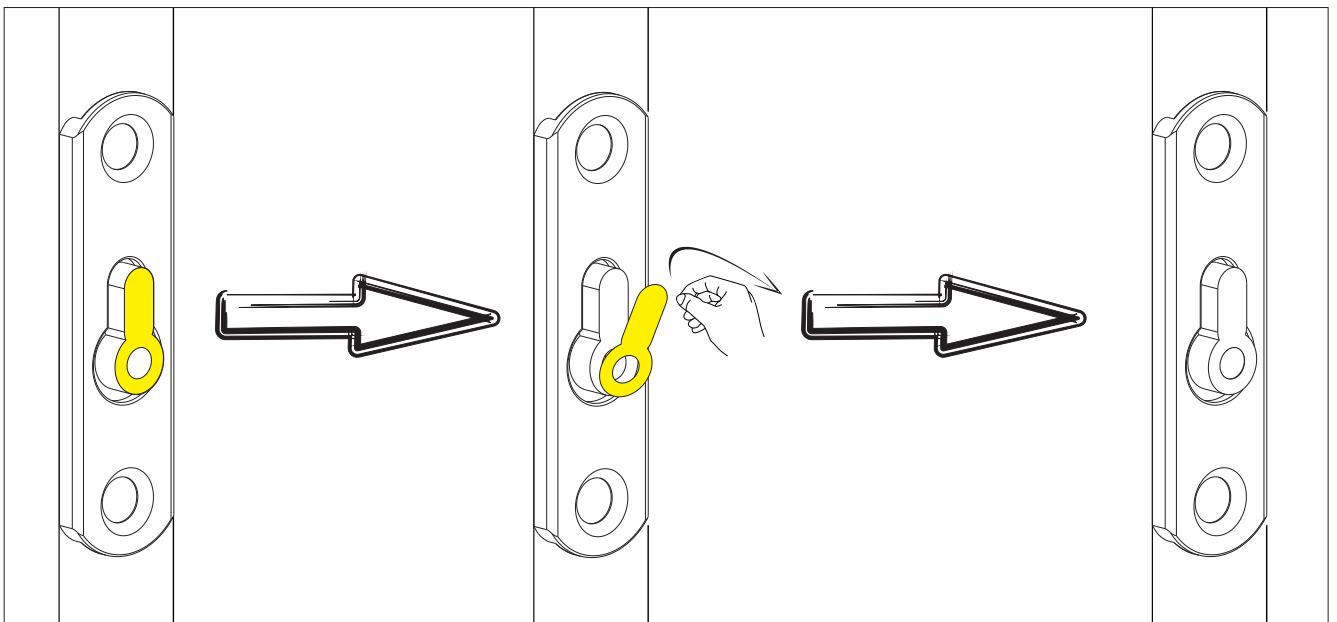
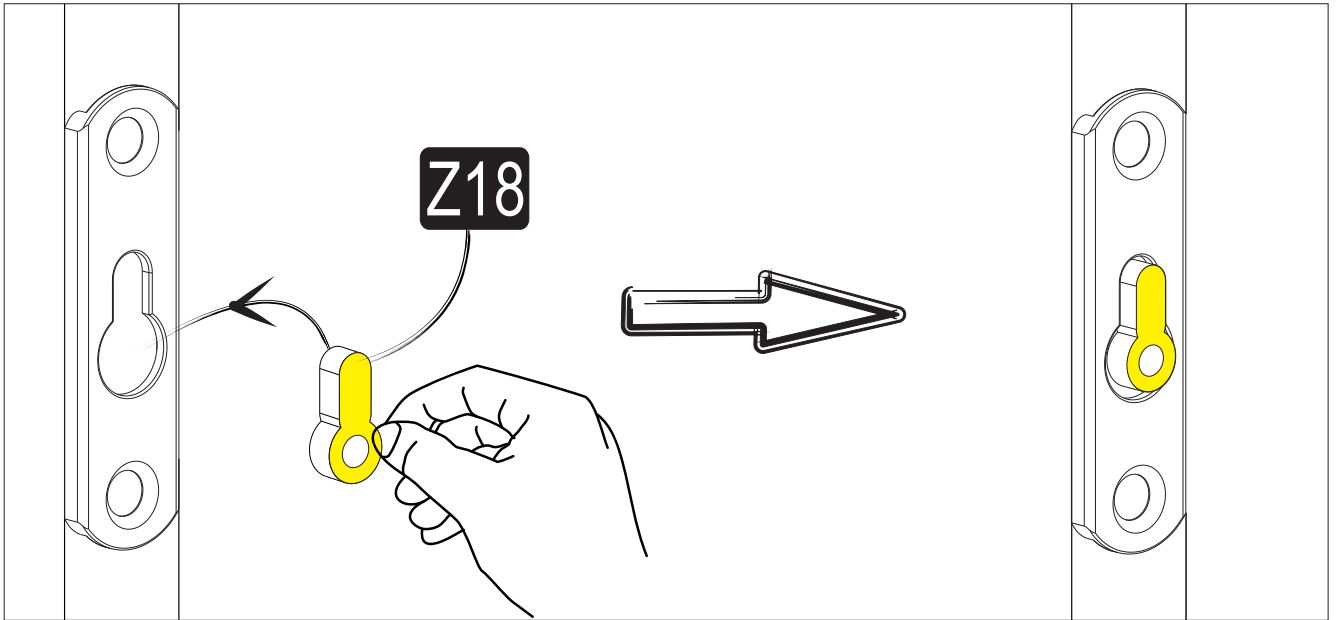
17.^{step}



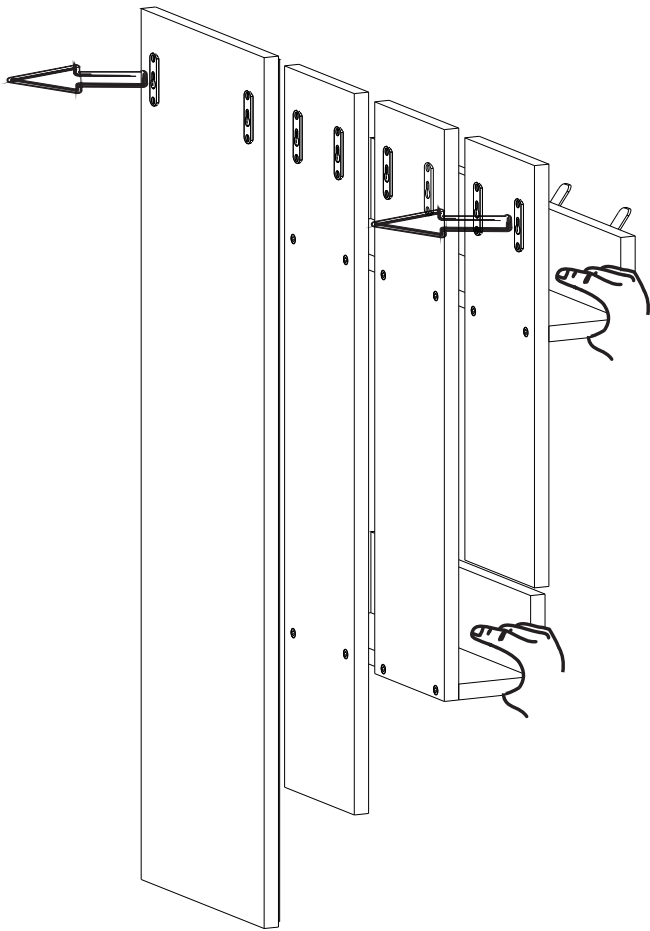
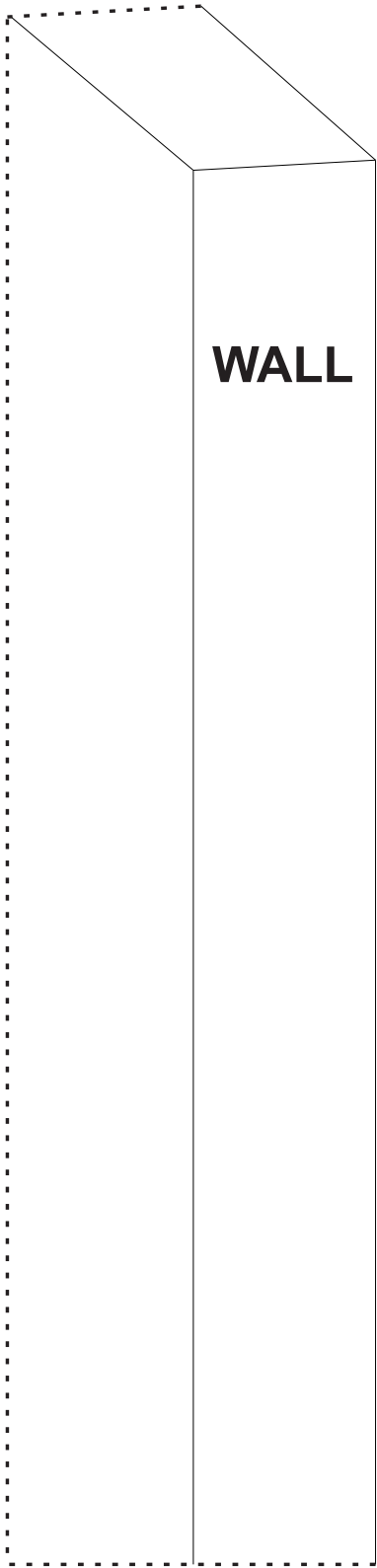
18.^{step}



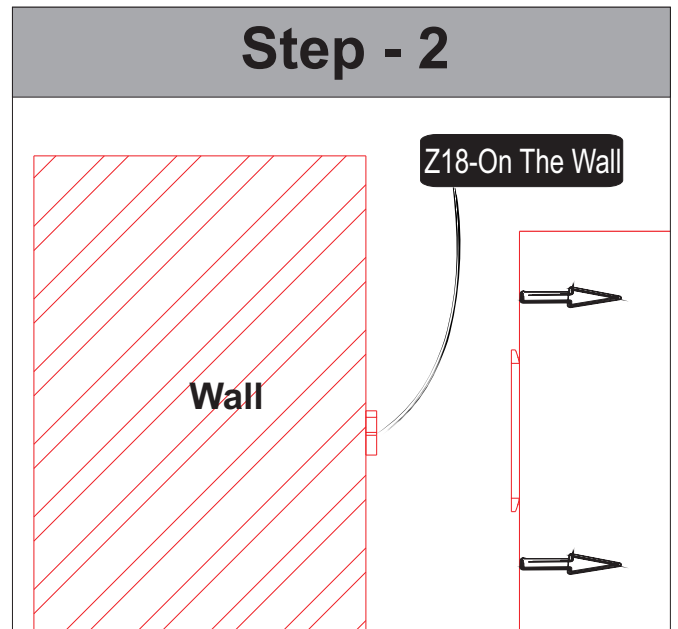
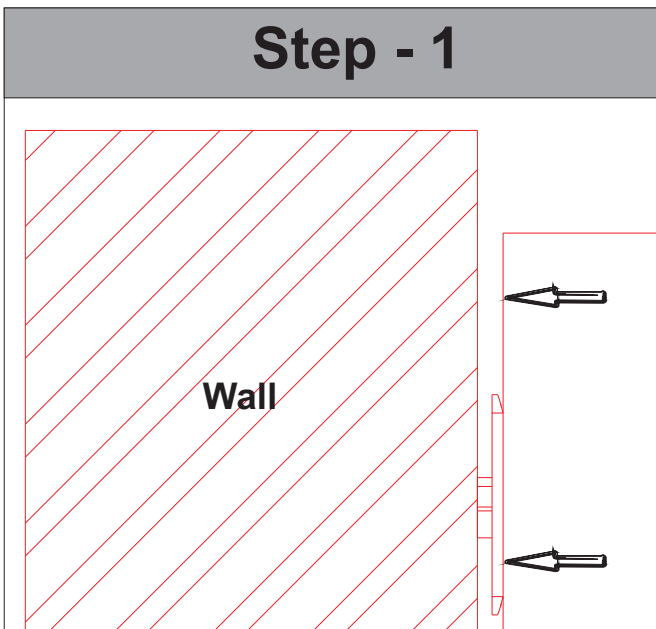
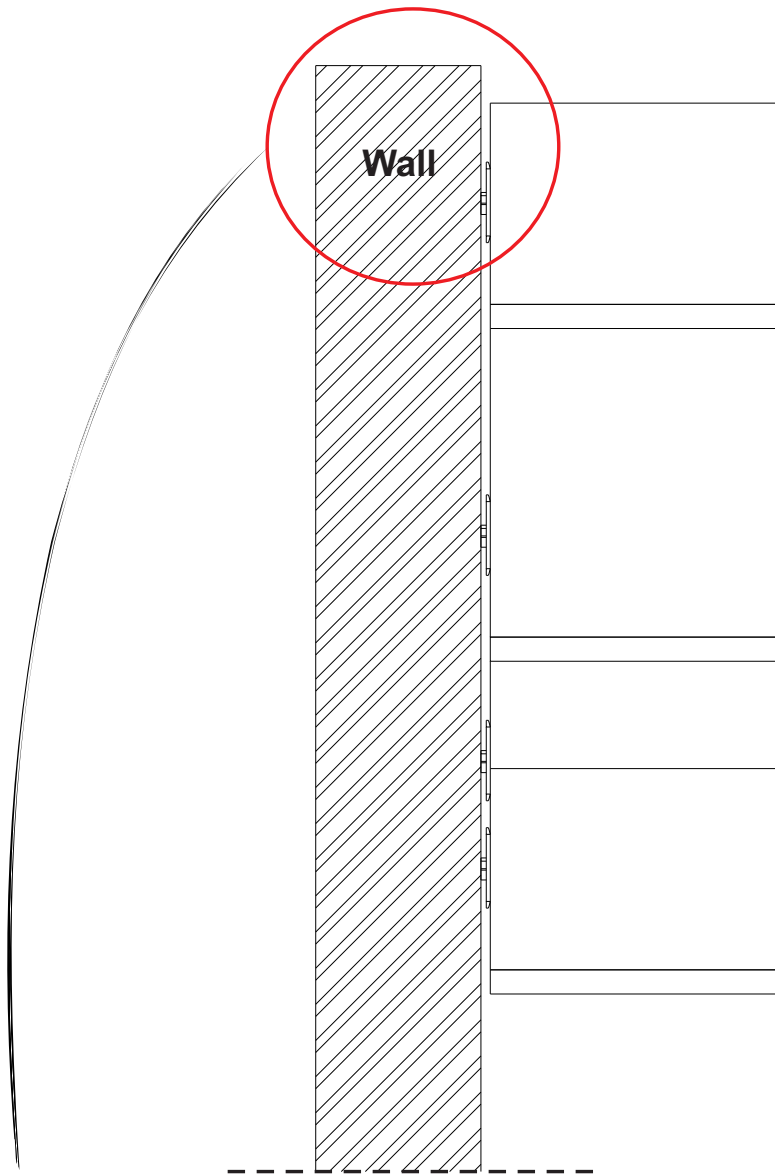
19.^{step}



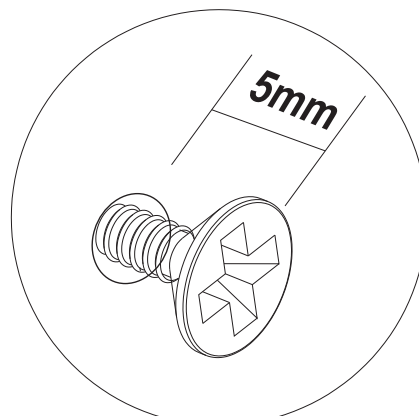
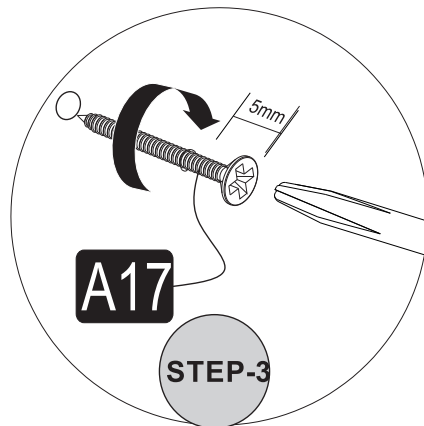
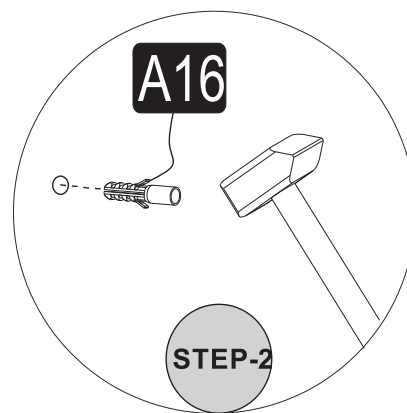
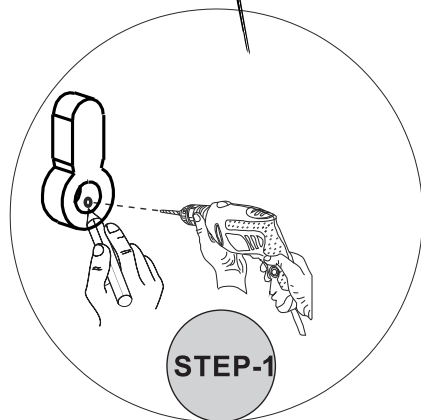
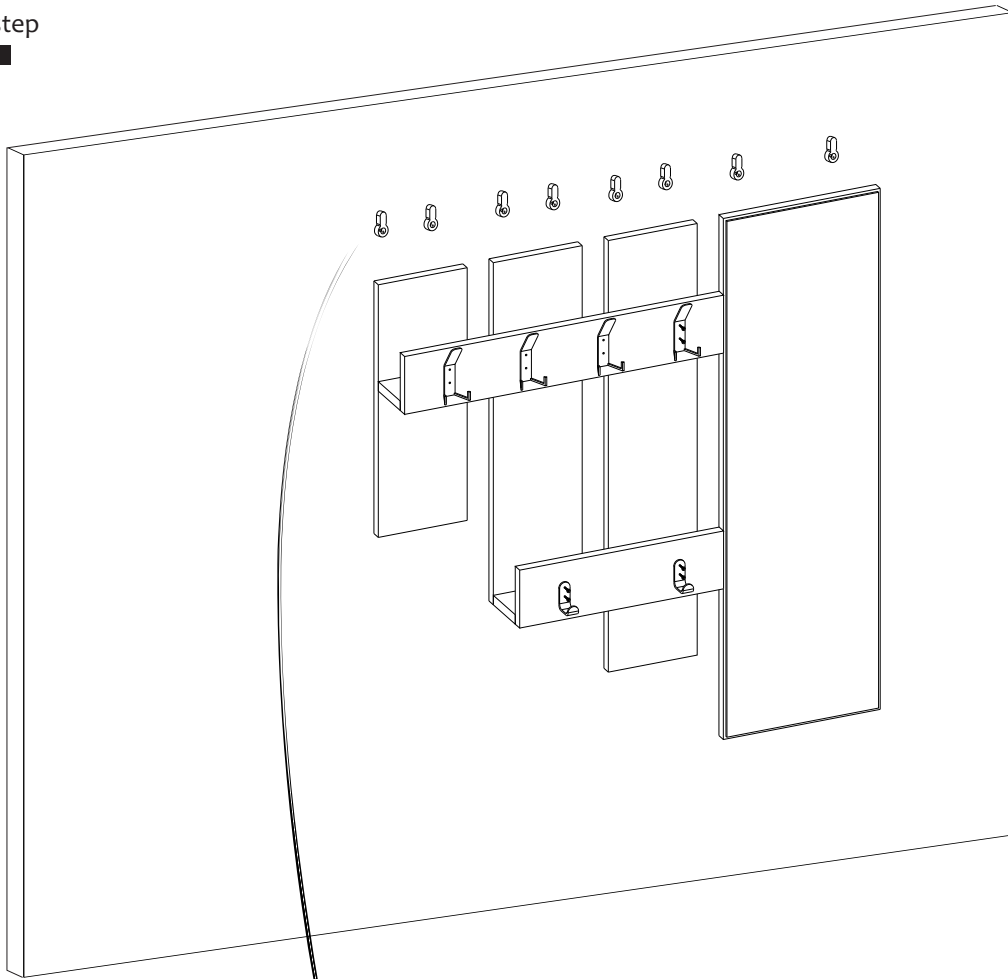
20_{step}



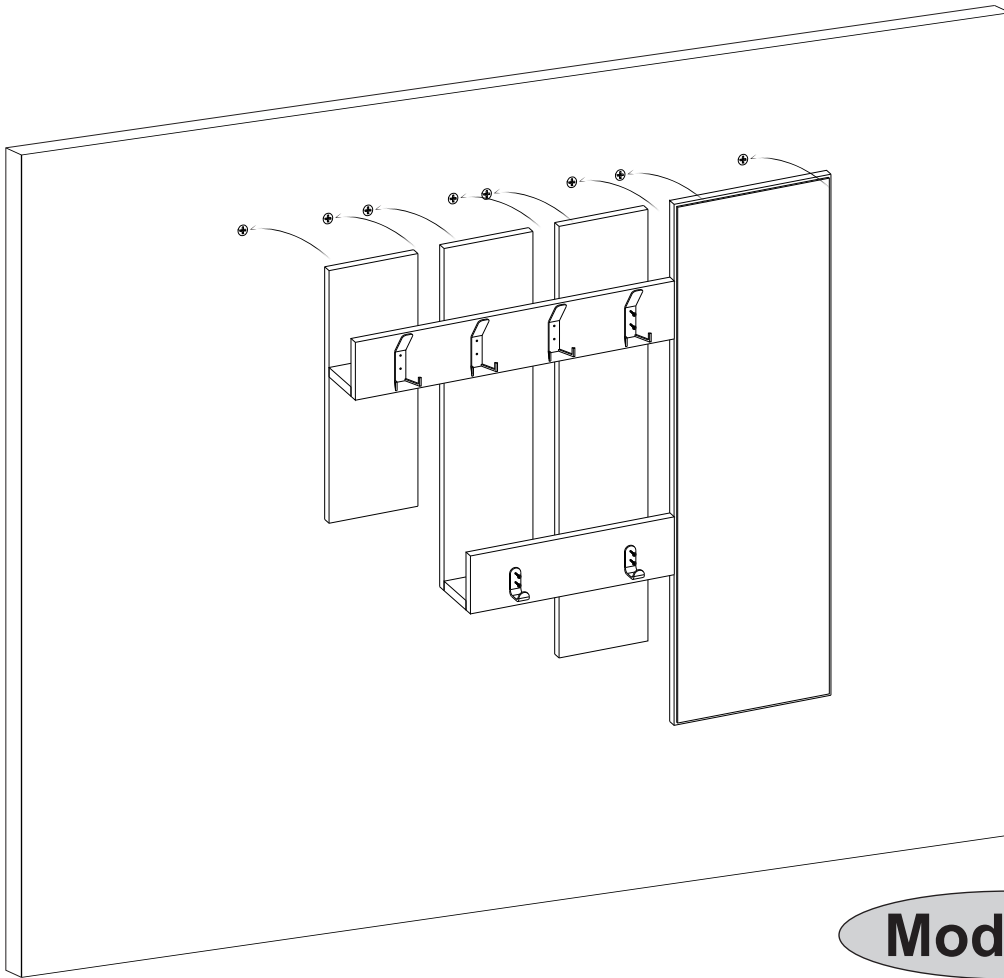
21^{step}



22^{step}



23^{step}



Module 2 ✓

