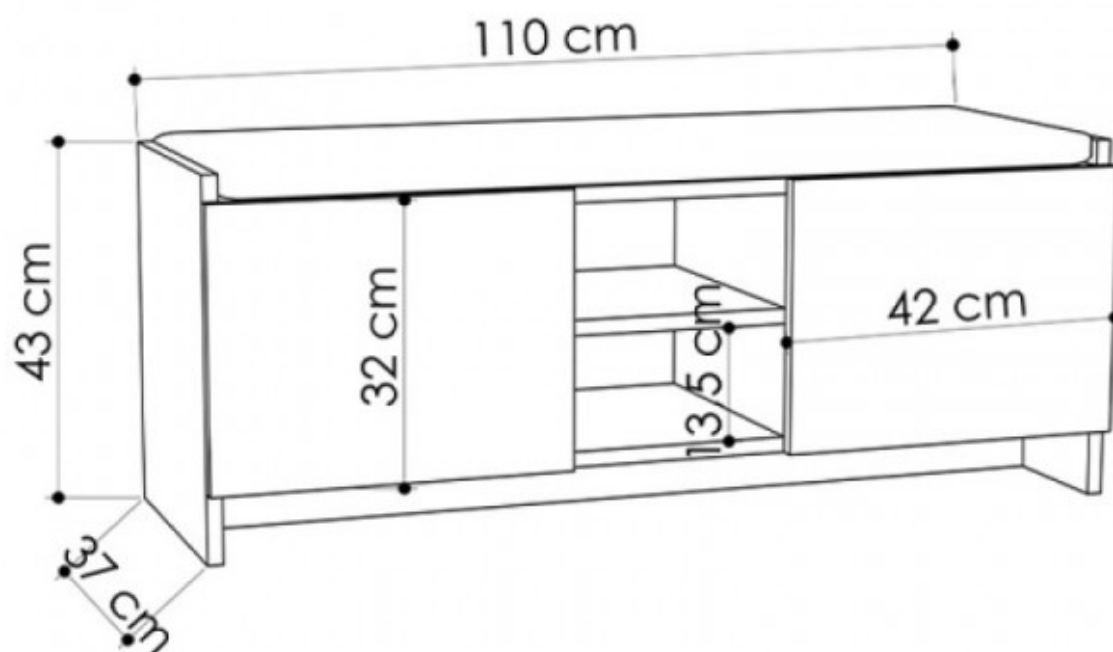

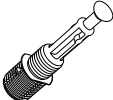
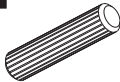
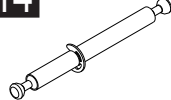
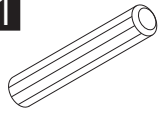
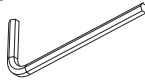

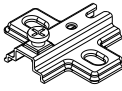

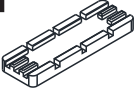
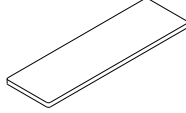

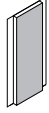
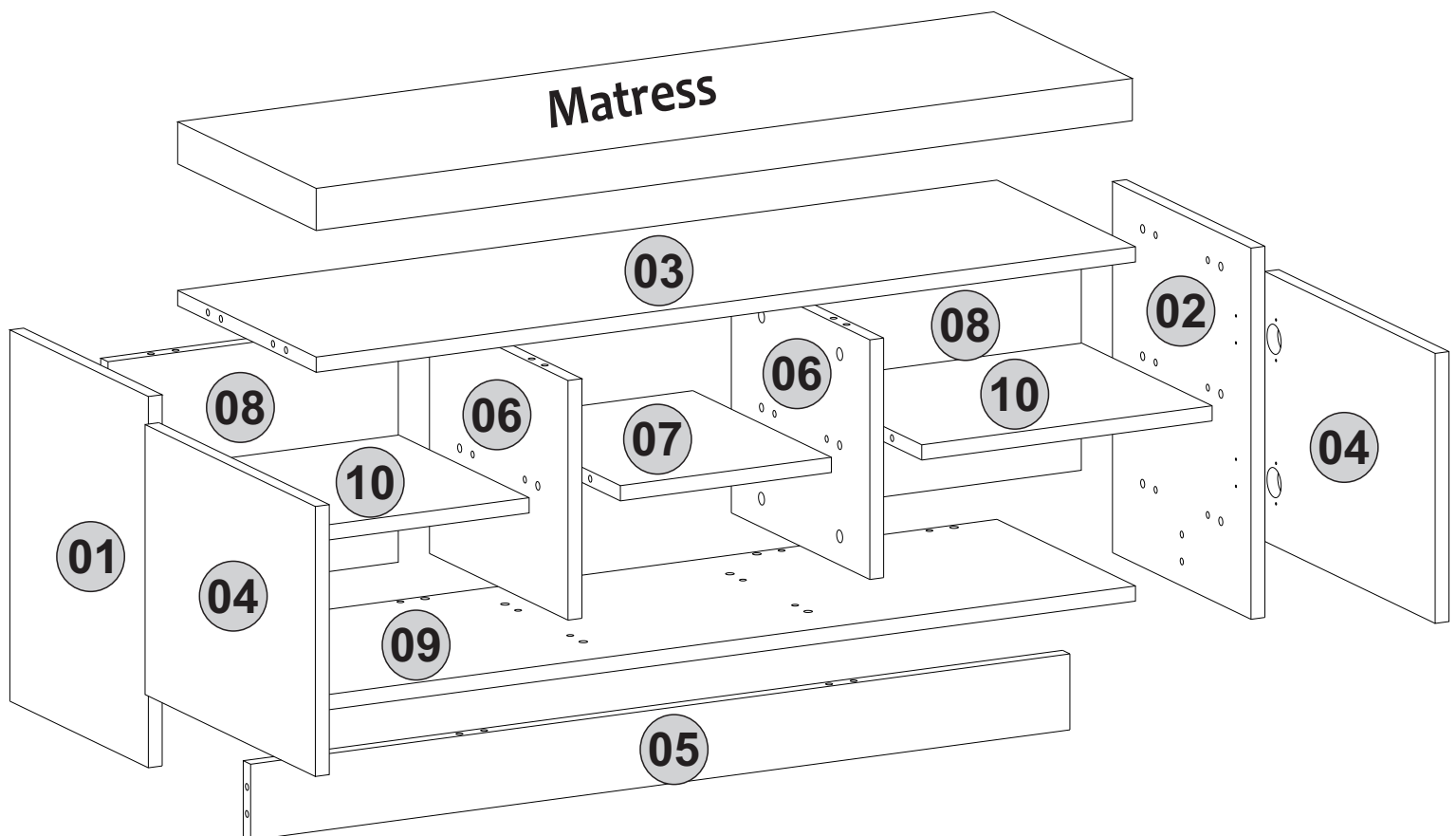


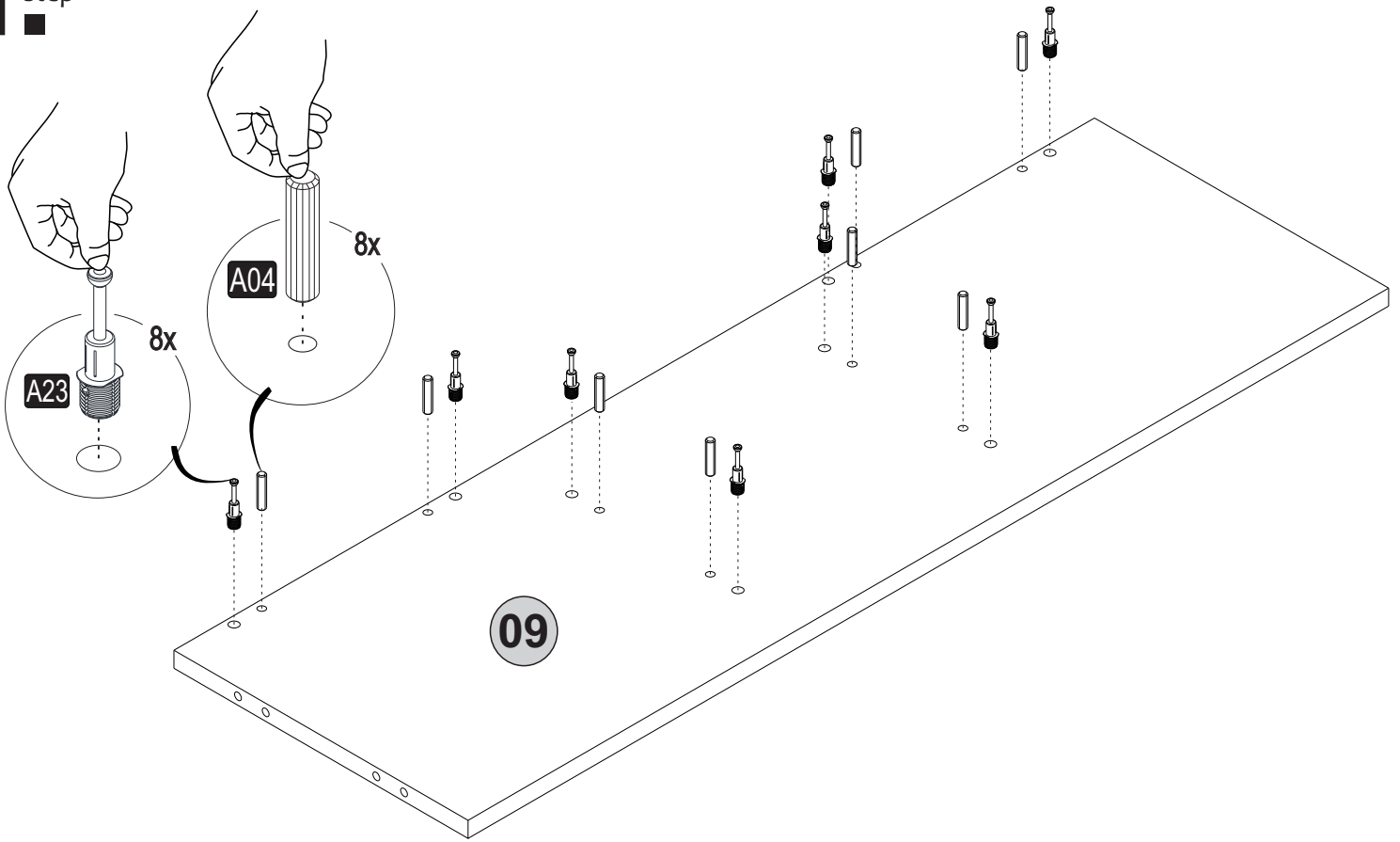
**i** GP037-0045,3



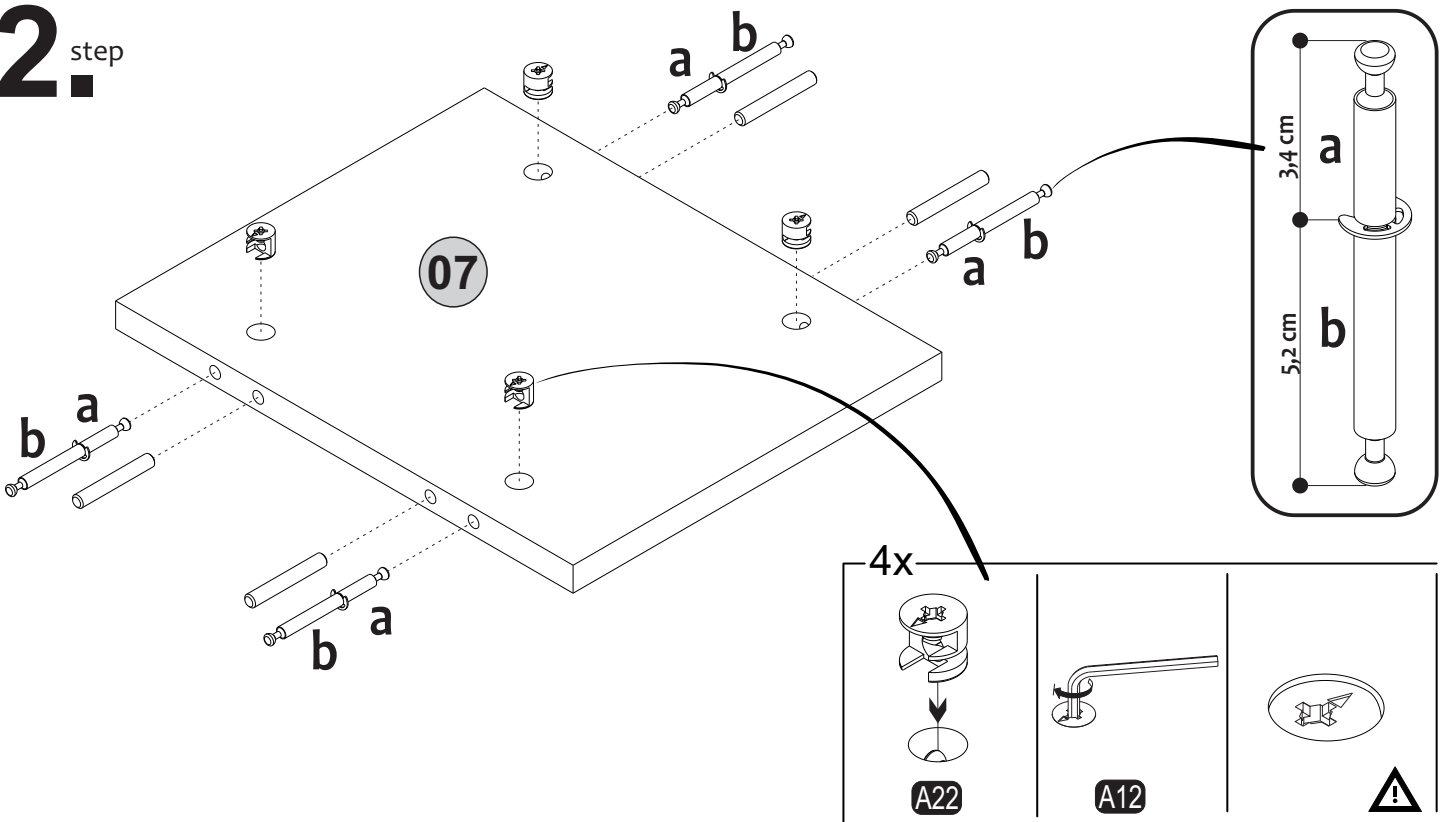
<b>A22</b> Minifix k18  38x	<b>A23</b> Minifix M10  30x	<b>A04</b> Ø8  34x	<b>A14</b> DFM6-86  4x	<b>A41</b> Ø8x55  4x
<b>A12</b> Allen  1x	<b>C01</b> DM  4x	<b>C04</b> Mtk  4x	<b>A18</b> 3,5x18  16x	<b>A08</b> 5mm  6x
	<b>Matress</b> 1060x340x50  1x		<b>A06</b> 18mm  C1-38x	<b>Y03</b> Ctpb  6x



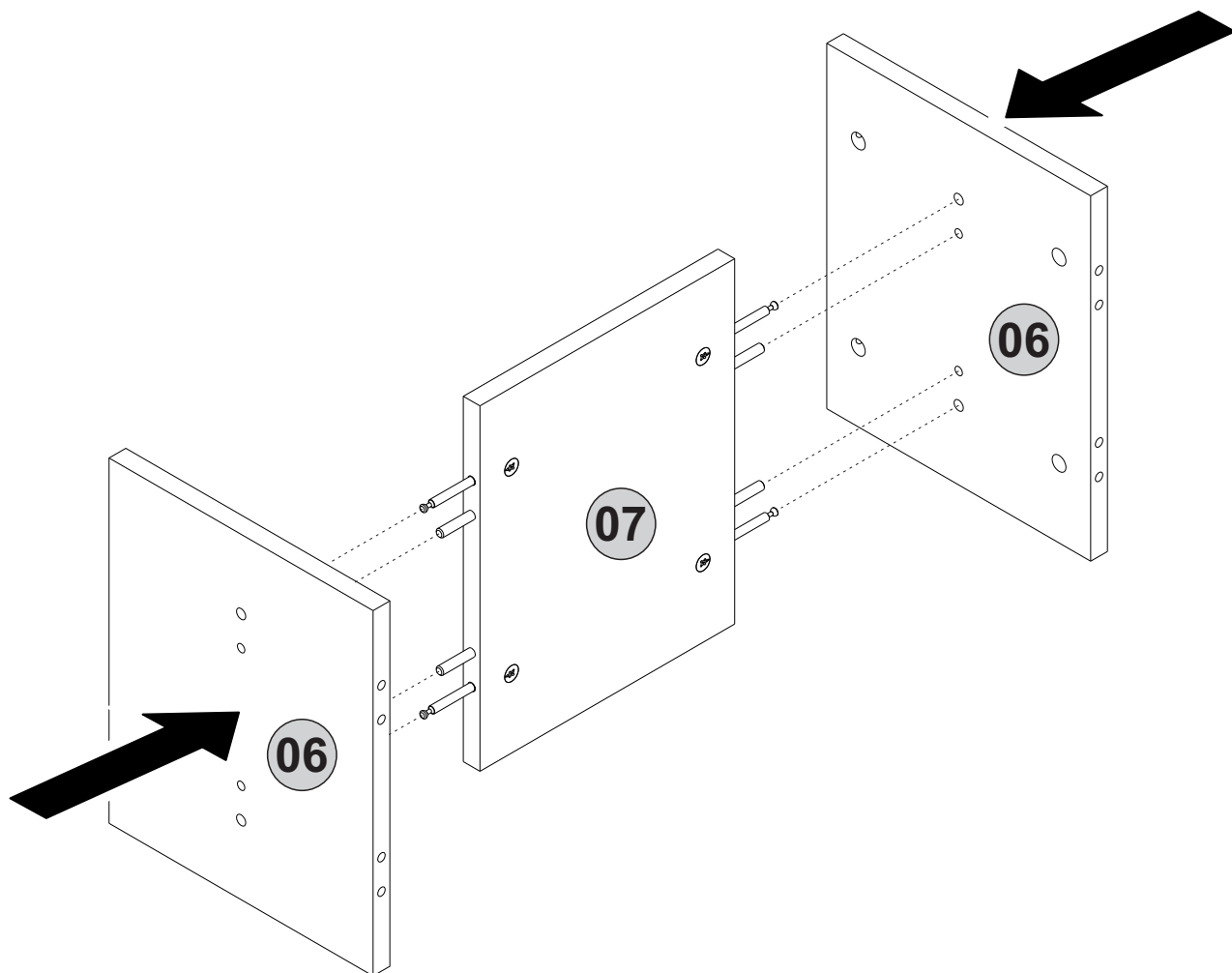
# 1. step



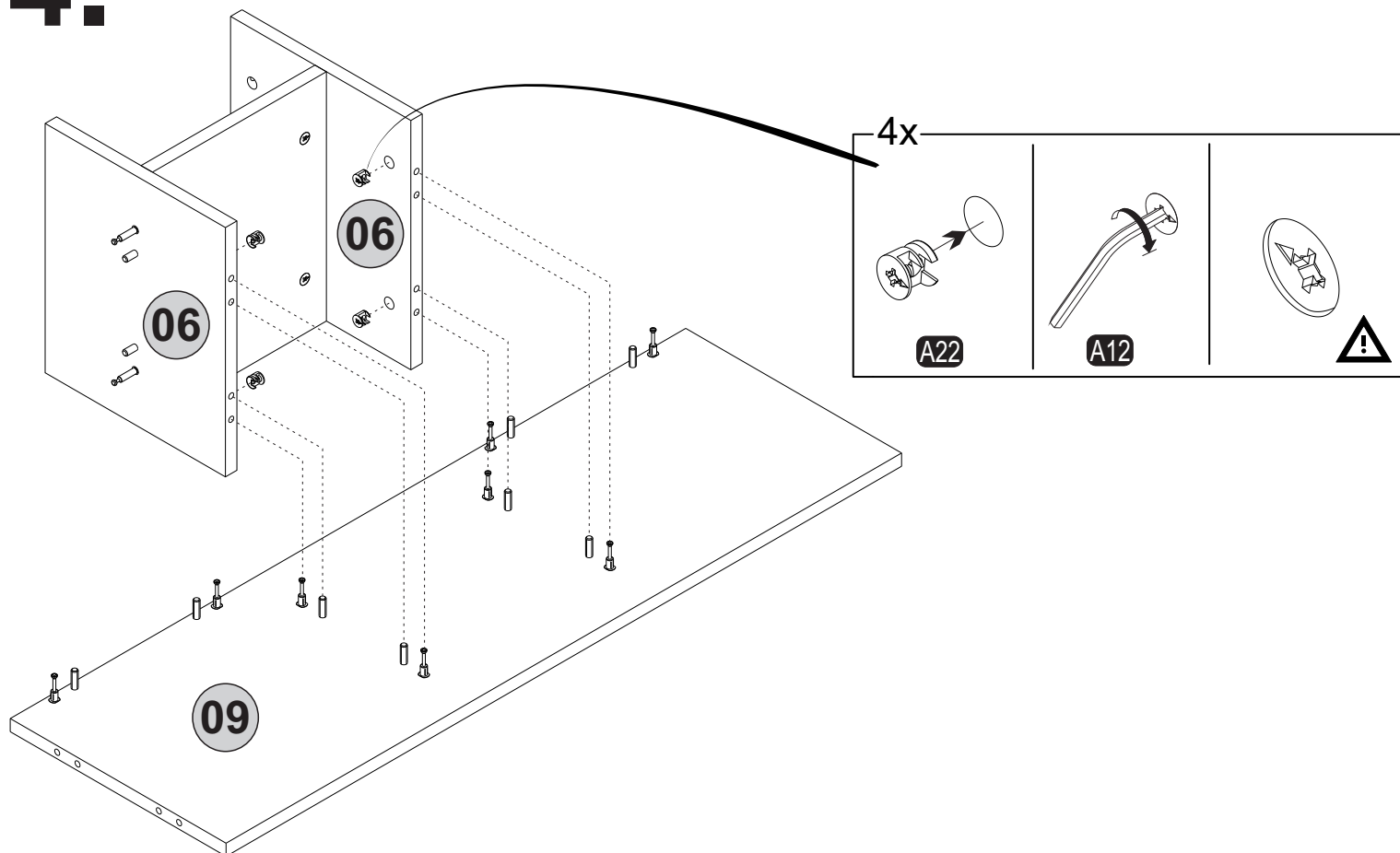
# 2. step



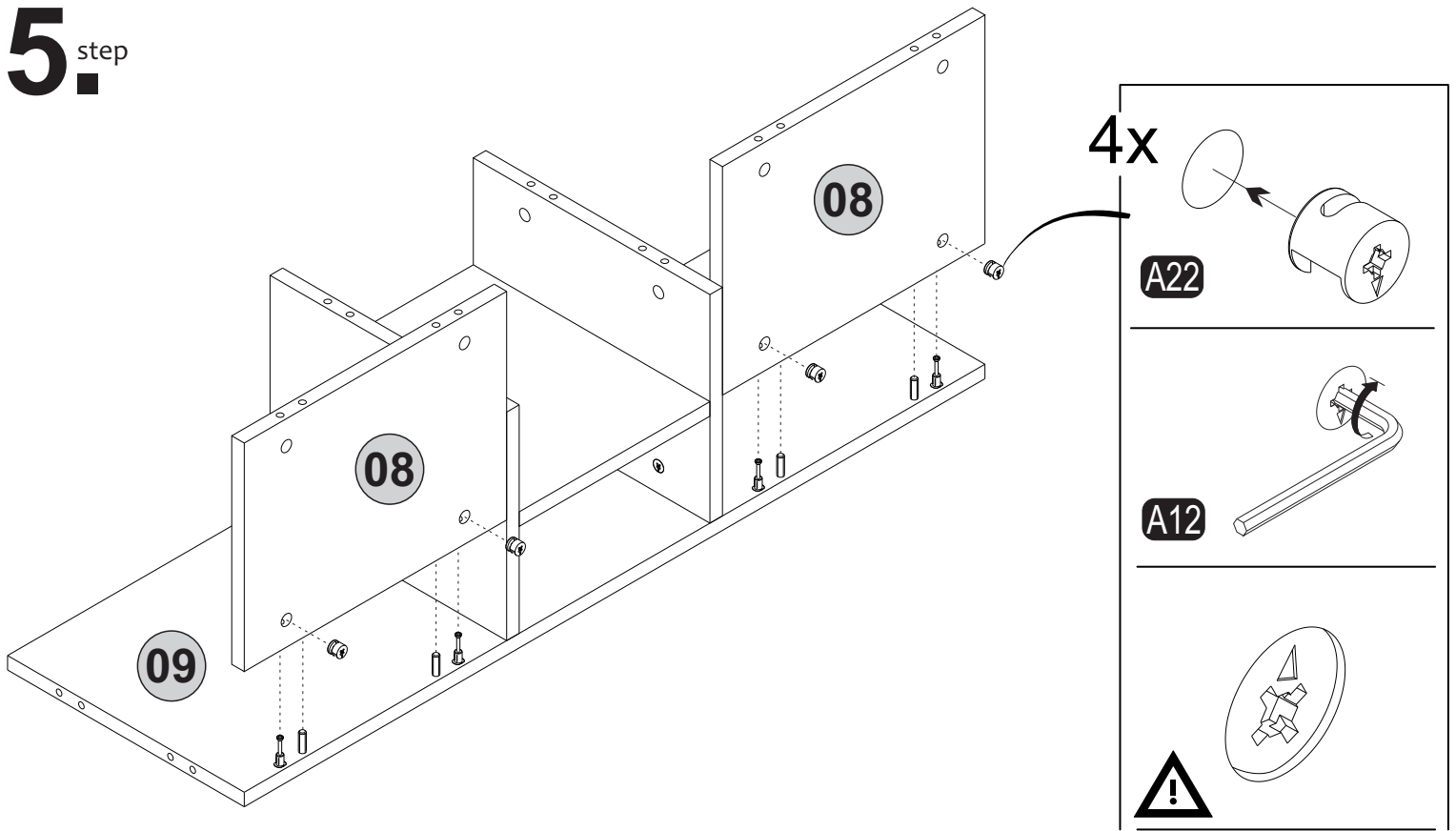
# 3. step



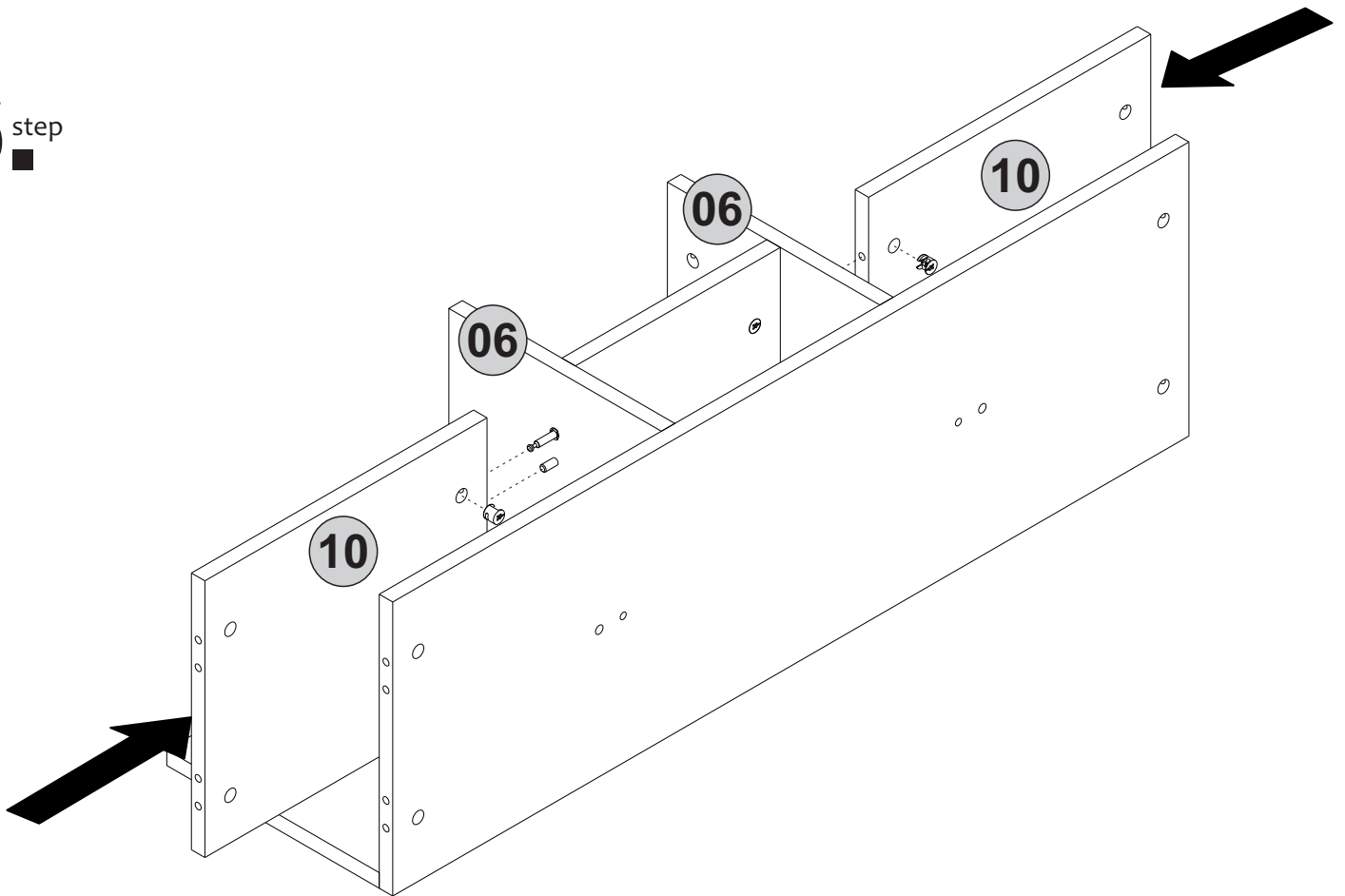
# 4. step



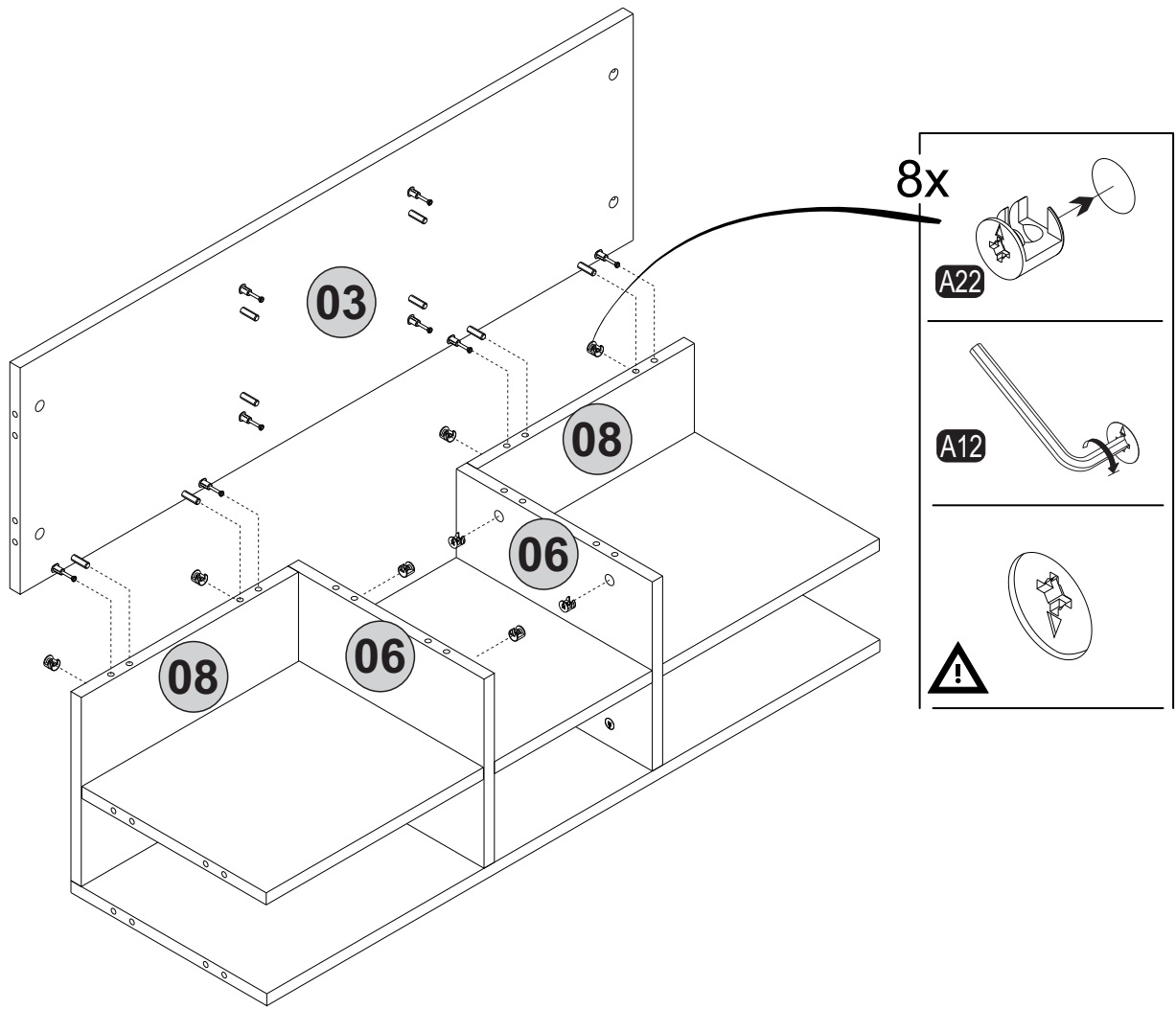
# 5<sup>step</sup>



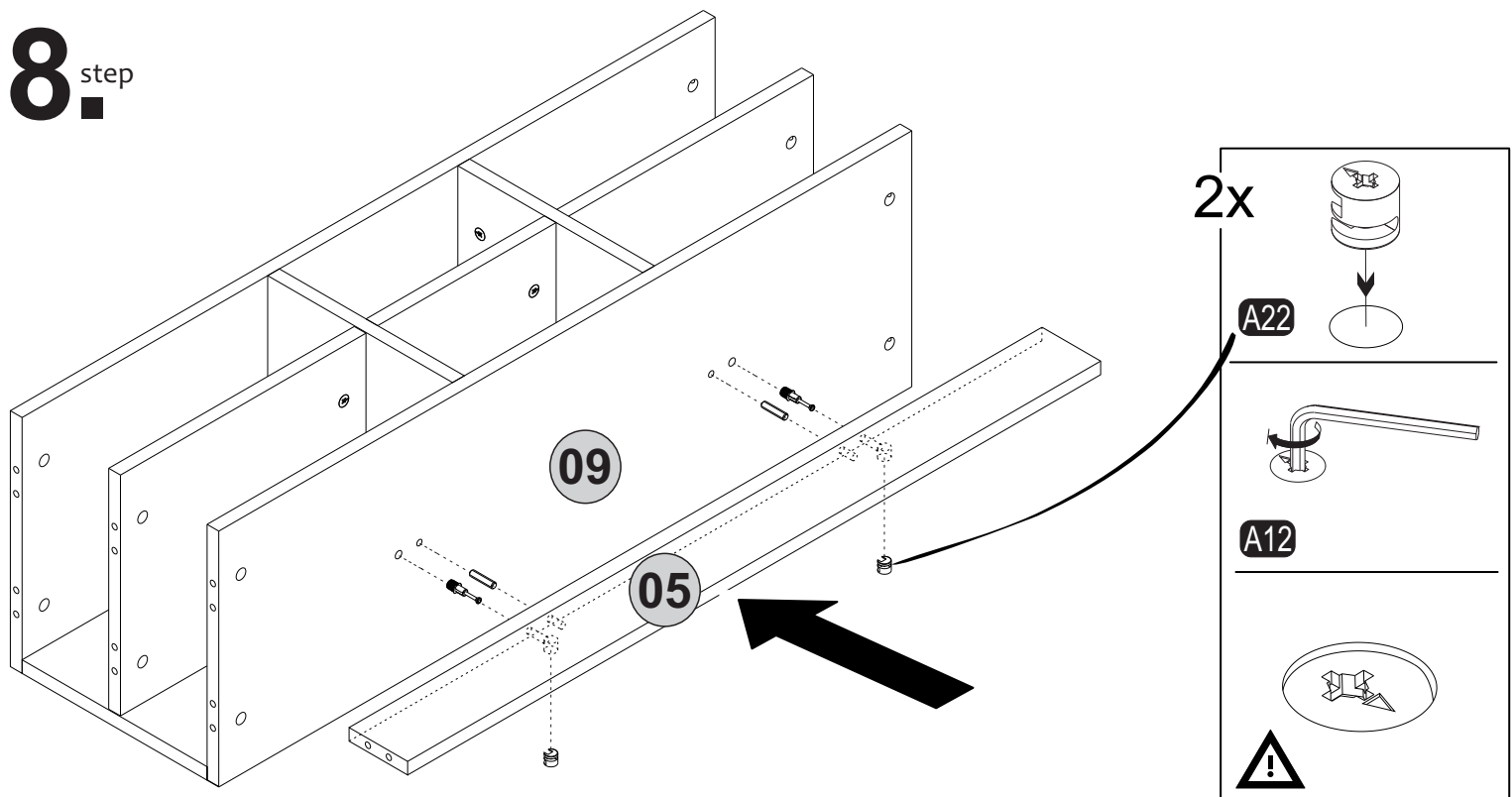
# 6<sup>step</sup>



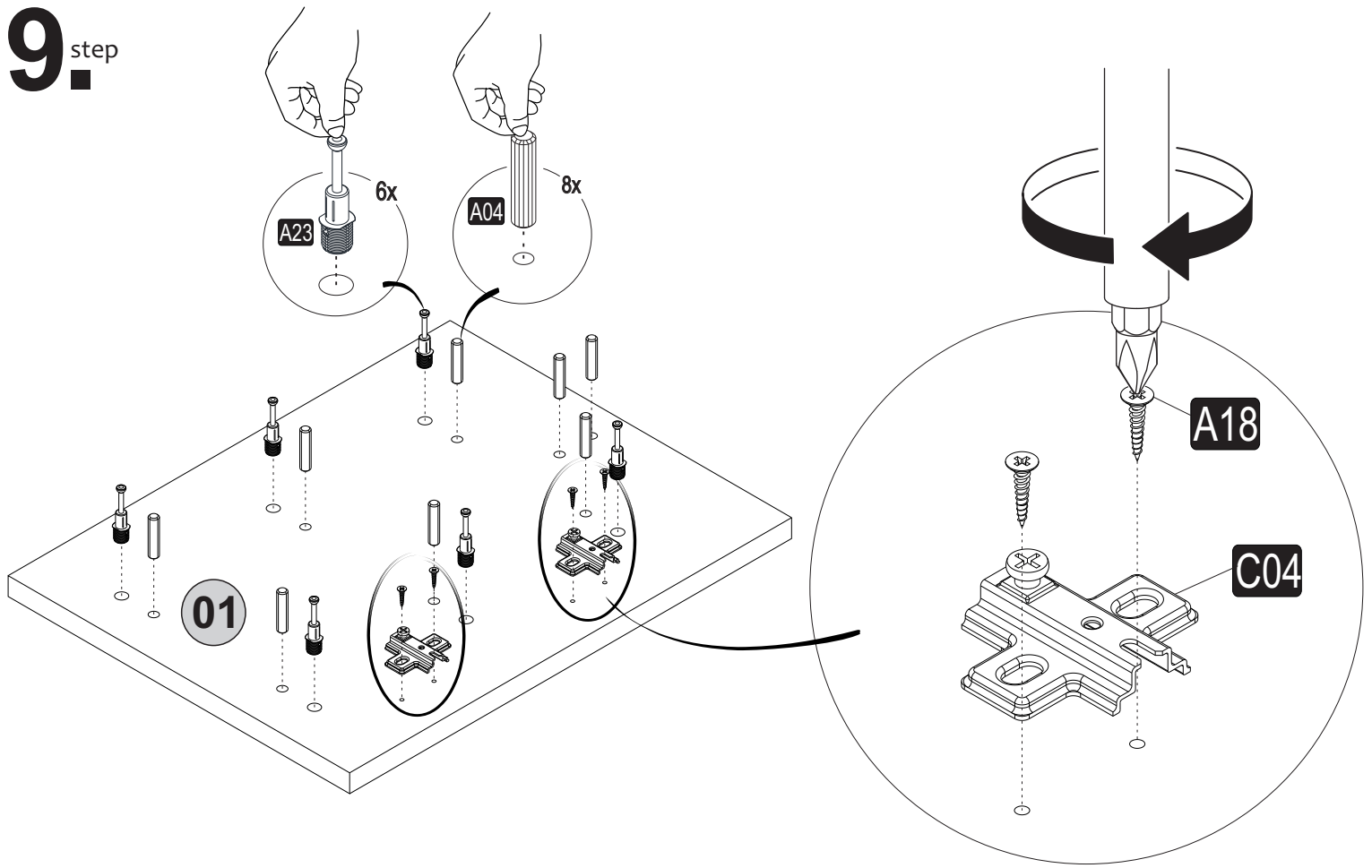
# 7. step



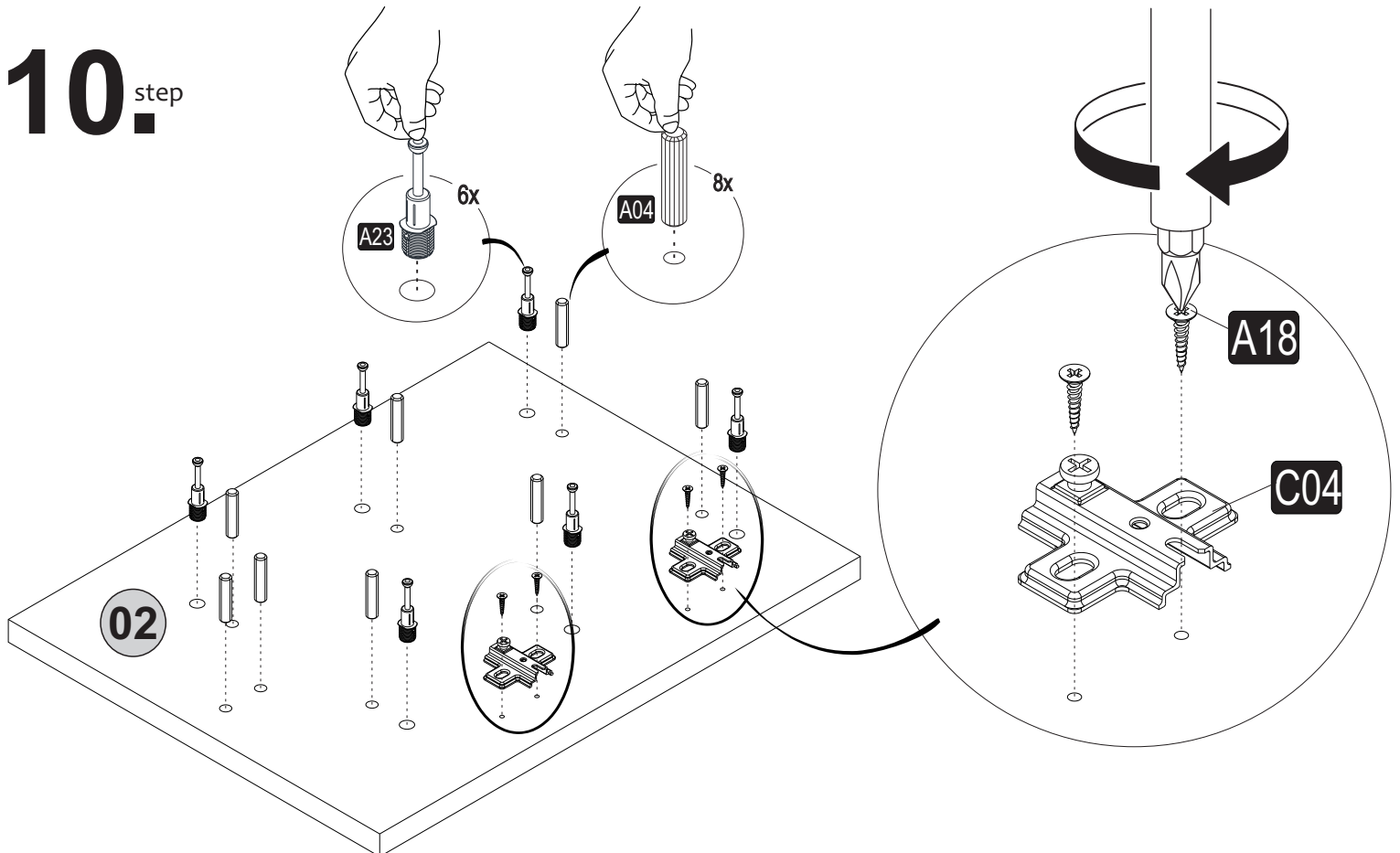
# 8. step



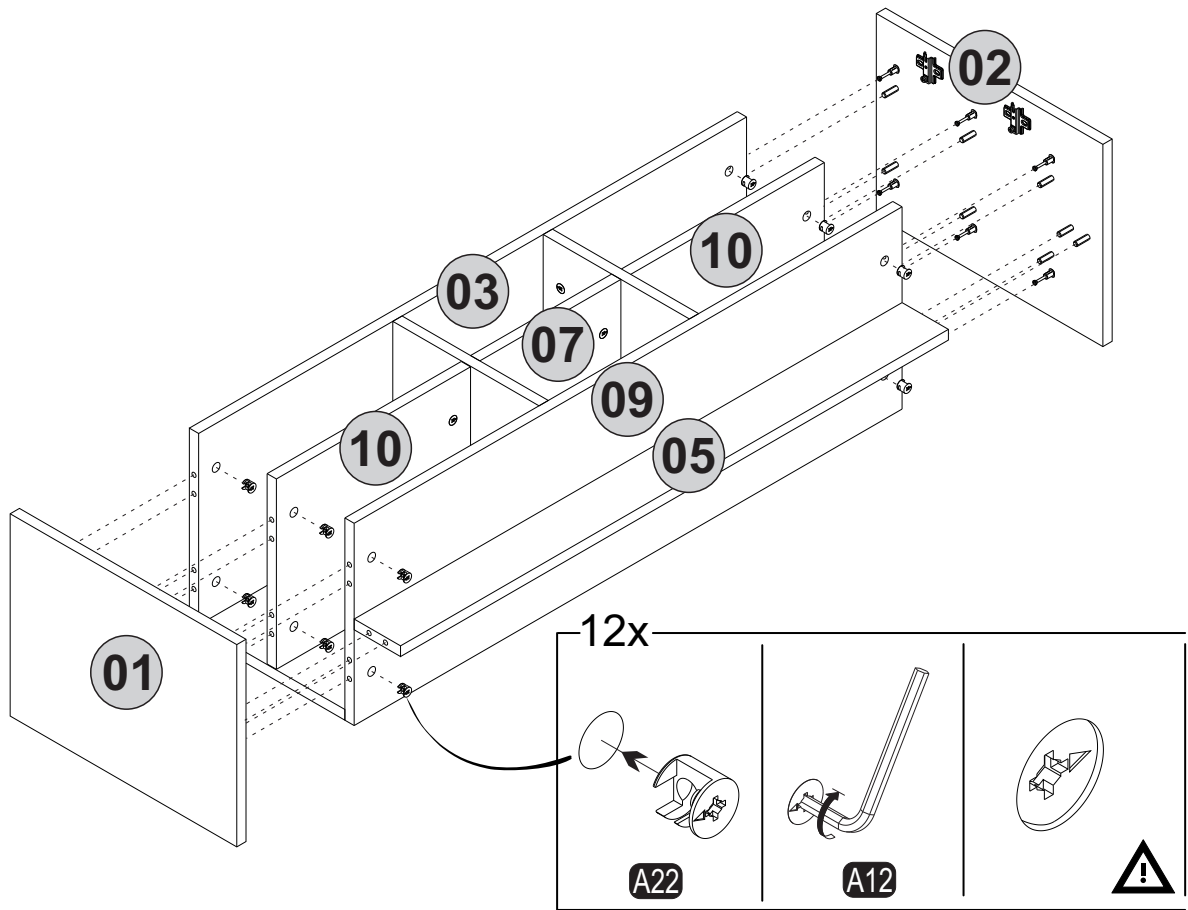
# 9. step



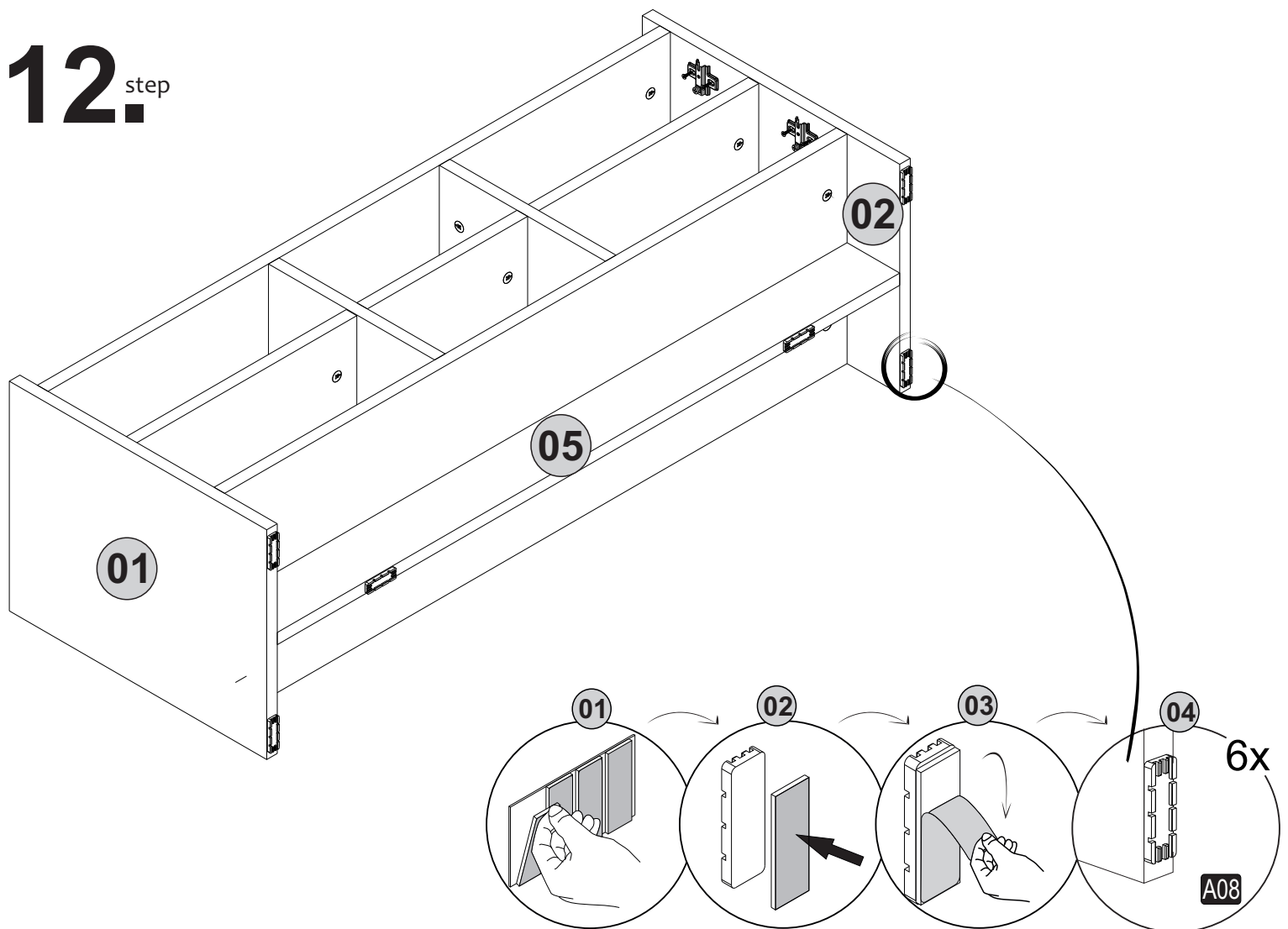
# 10. step



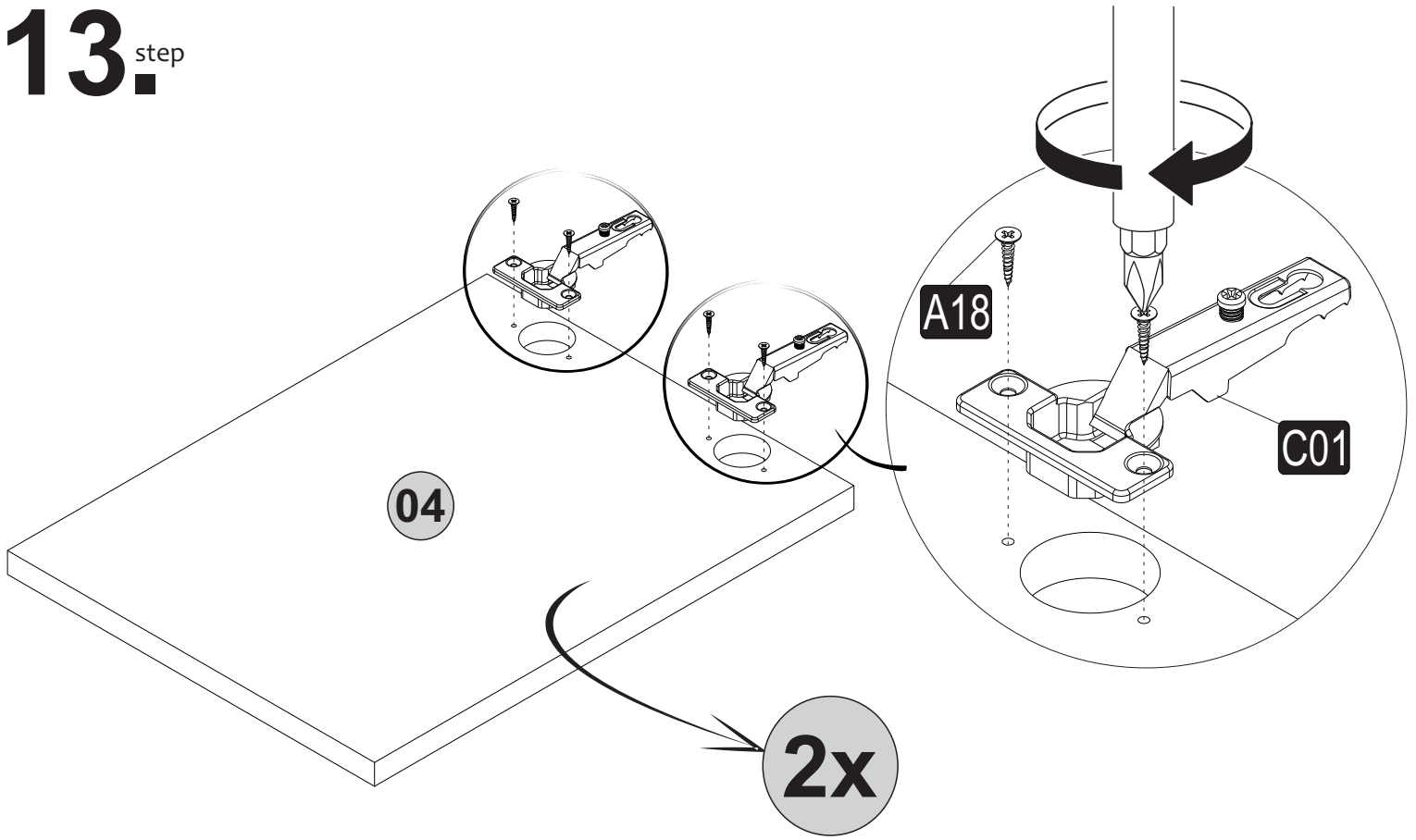
# 11.<sup>step</sup>



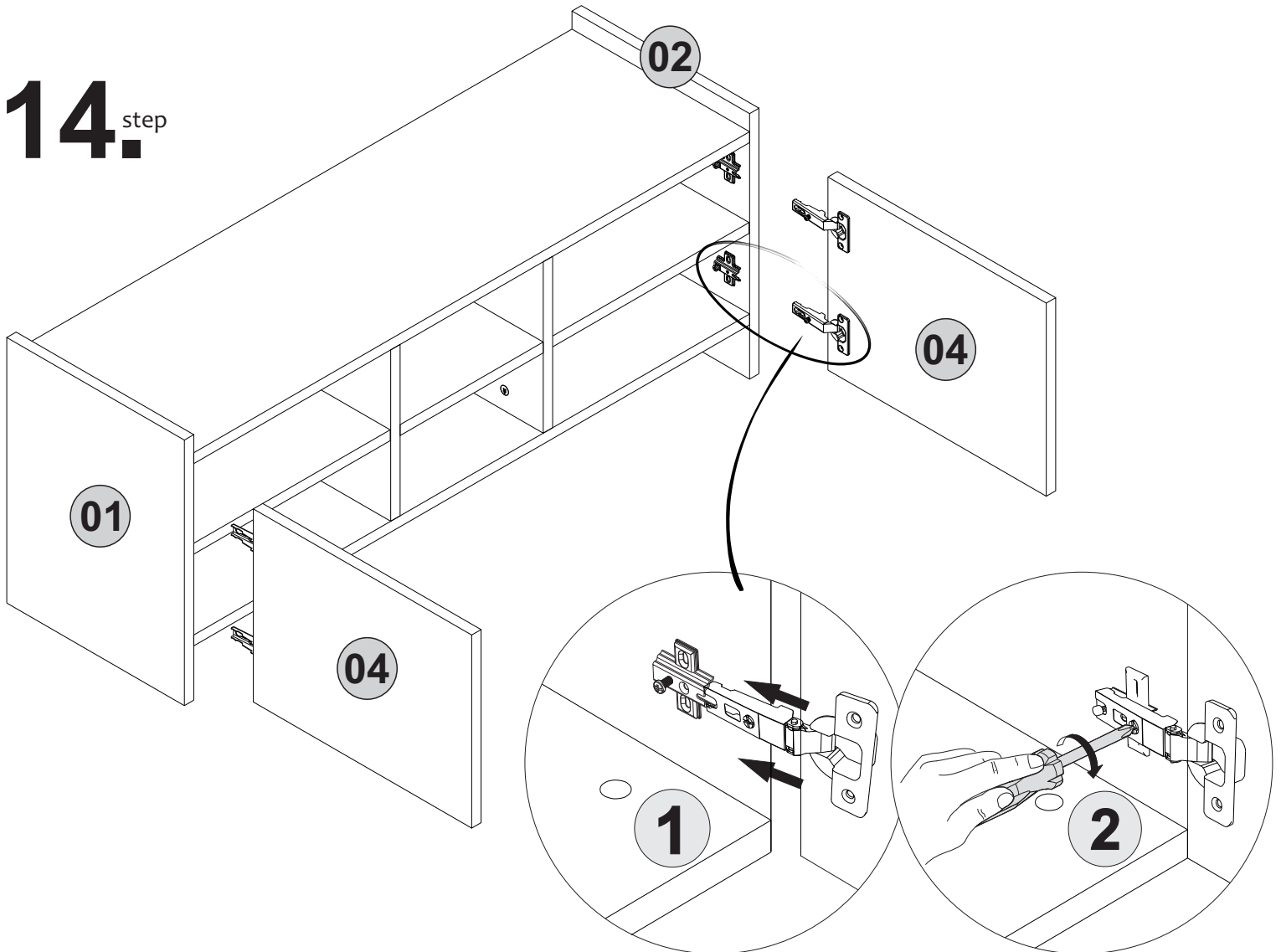
# 12.<sup>step</sup>



# 13.<sup>step</sup>



# 14.<sup>step</sup>



# 15.<sup>step</sup>

