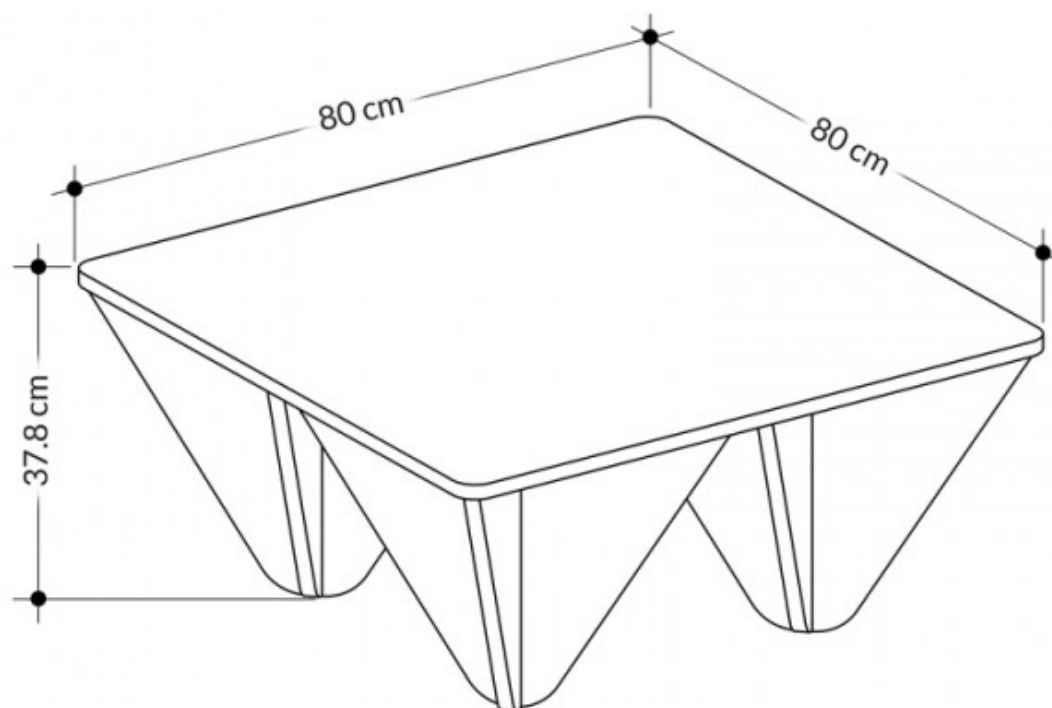
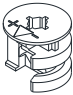

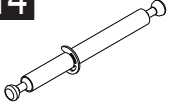


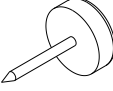

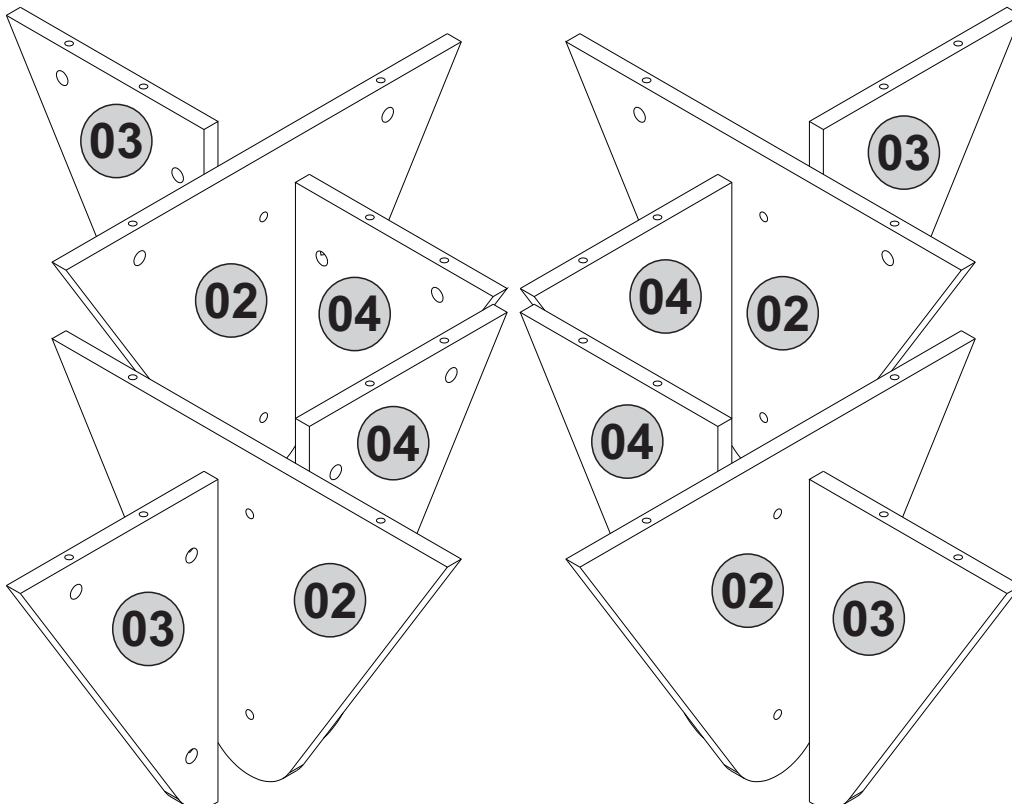
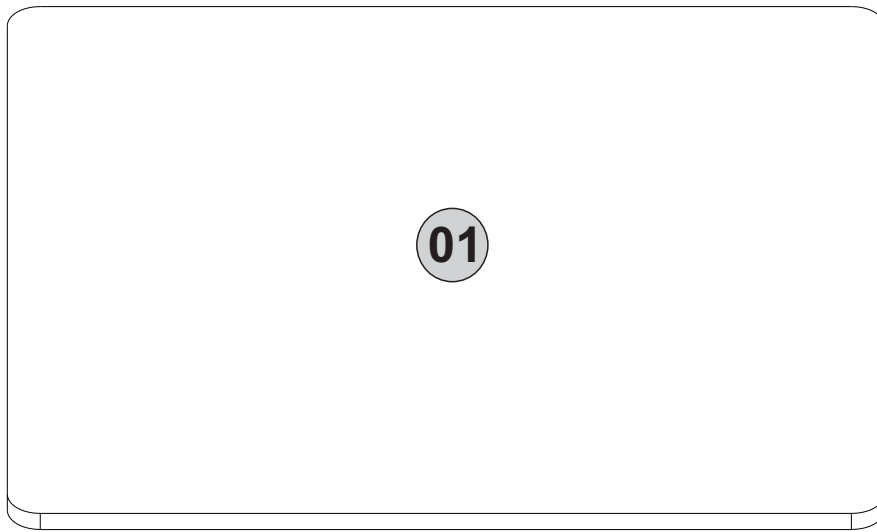


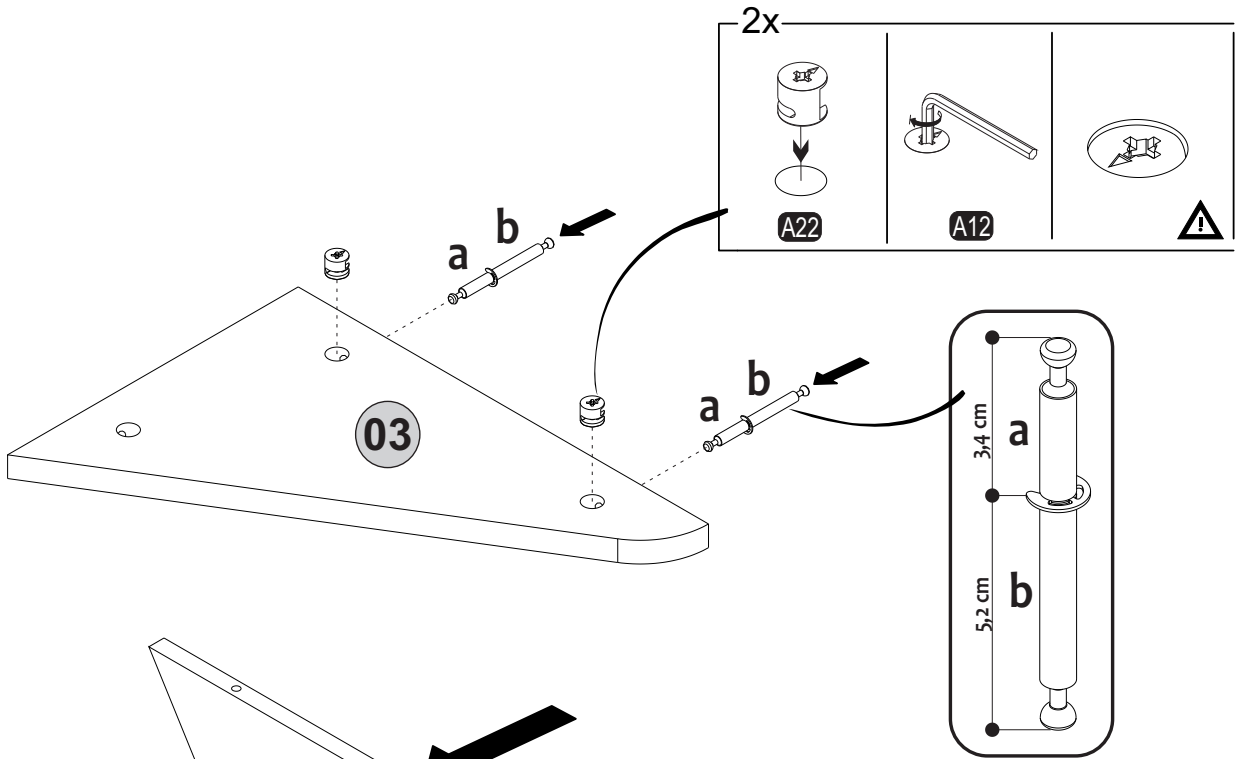
**i** GP037-0065,2



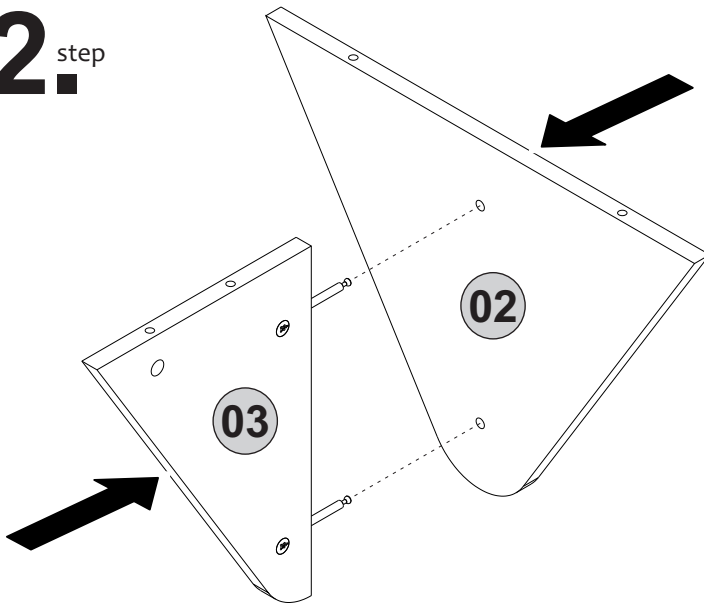
<b>A22</b>  Minifix k18 <b>32x</b>	<b>A23</b>  Minifix M10 <b>16x</b>	<b>A14</b>  DFM6-86 <b>8x</b>	<b>A04</b>  Ø8 <b>8x</b>	<b>A12</b>  Allen <b>1x</b>
			<b>A55</b>  Cp15mm <b>4x</b>	<b>A06</b>  18mm <b>C1-32x</b>



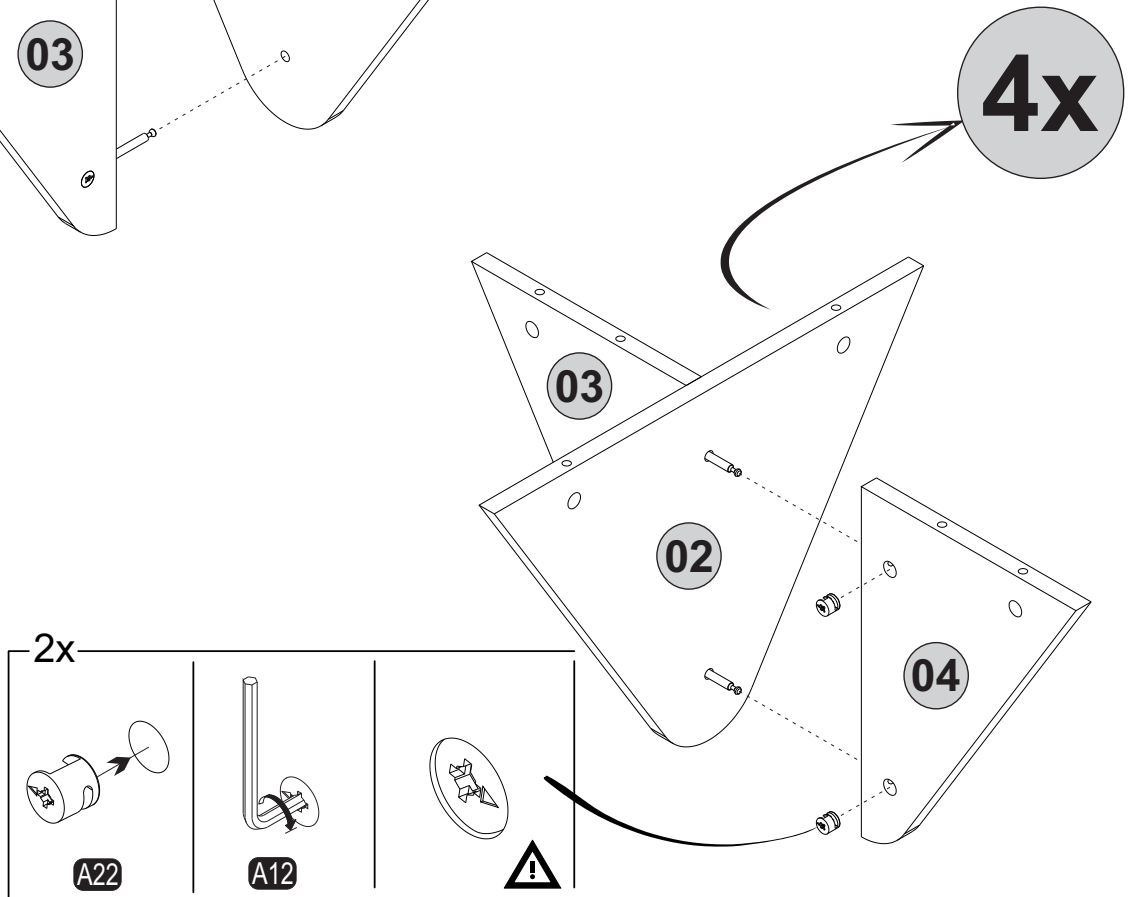
**1.** step



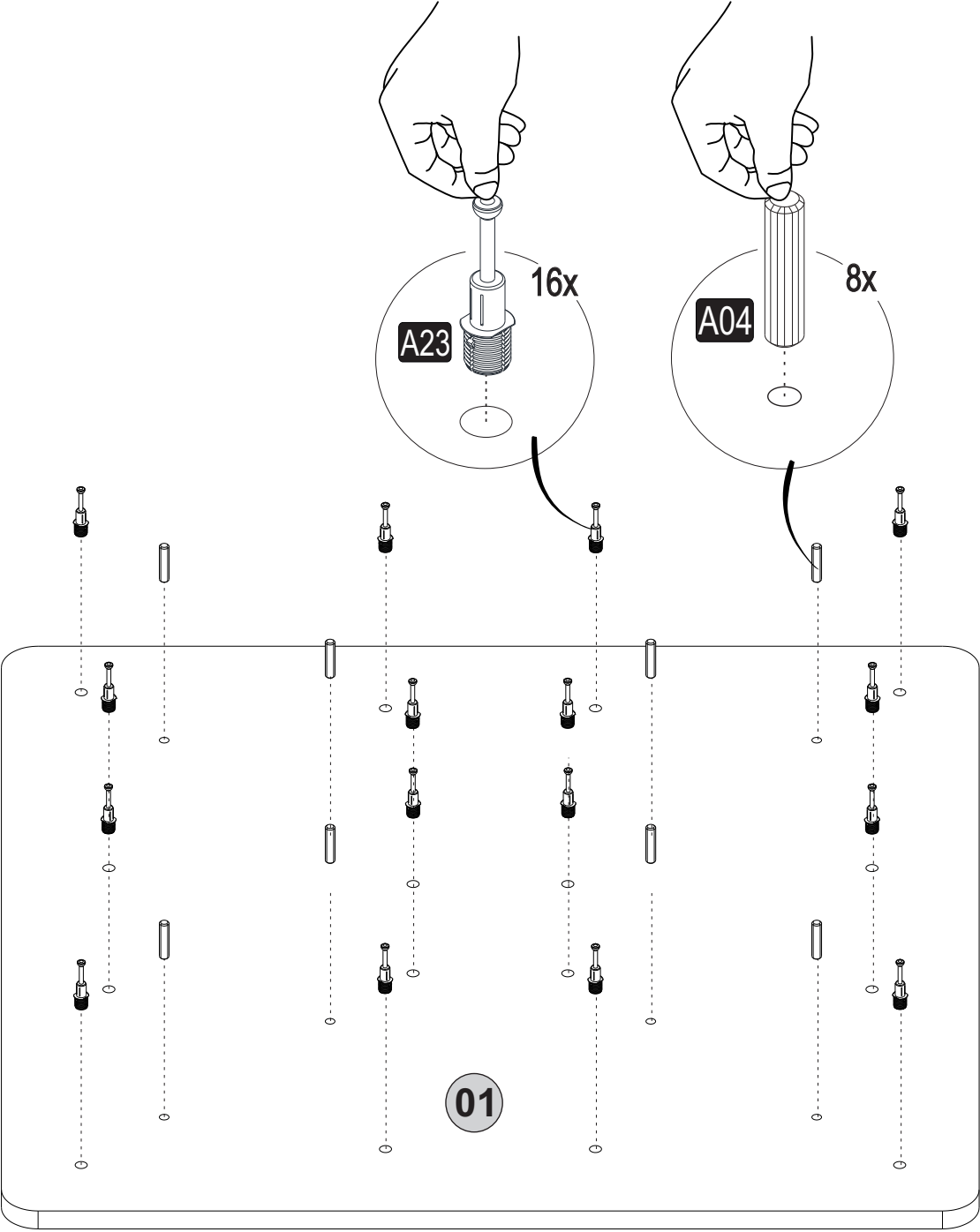
**2.** step



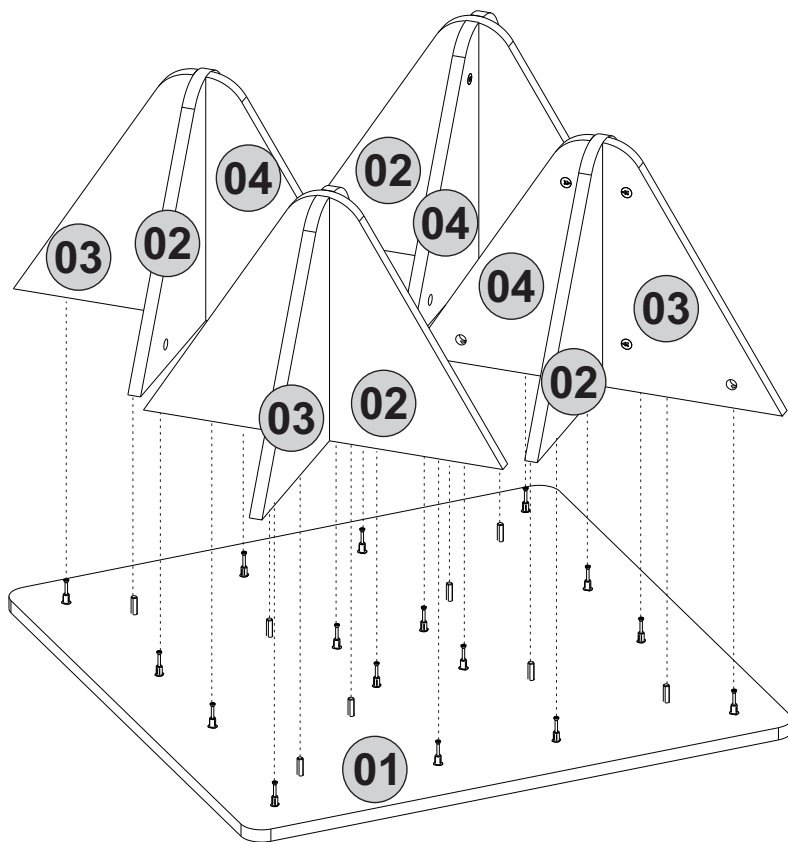
**3.** step



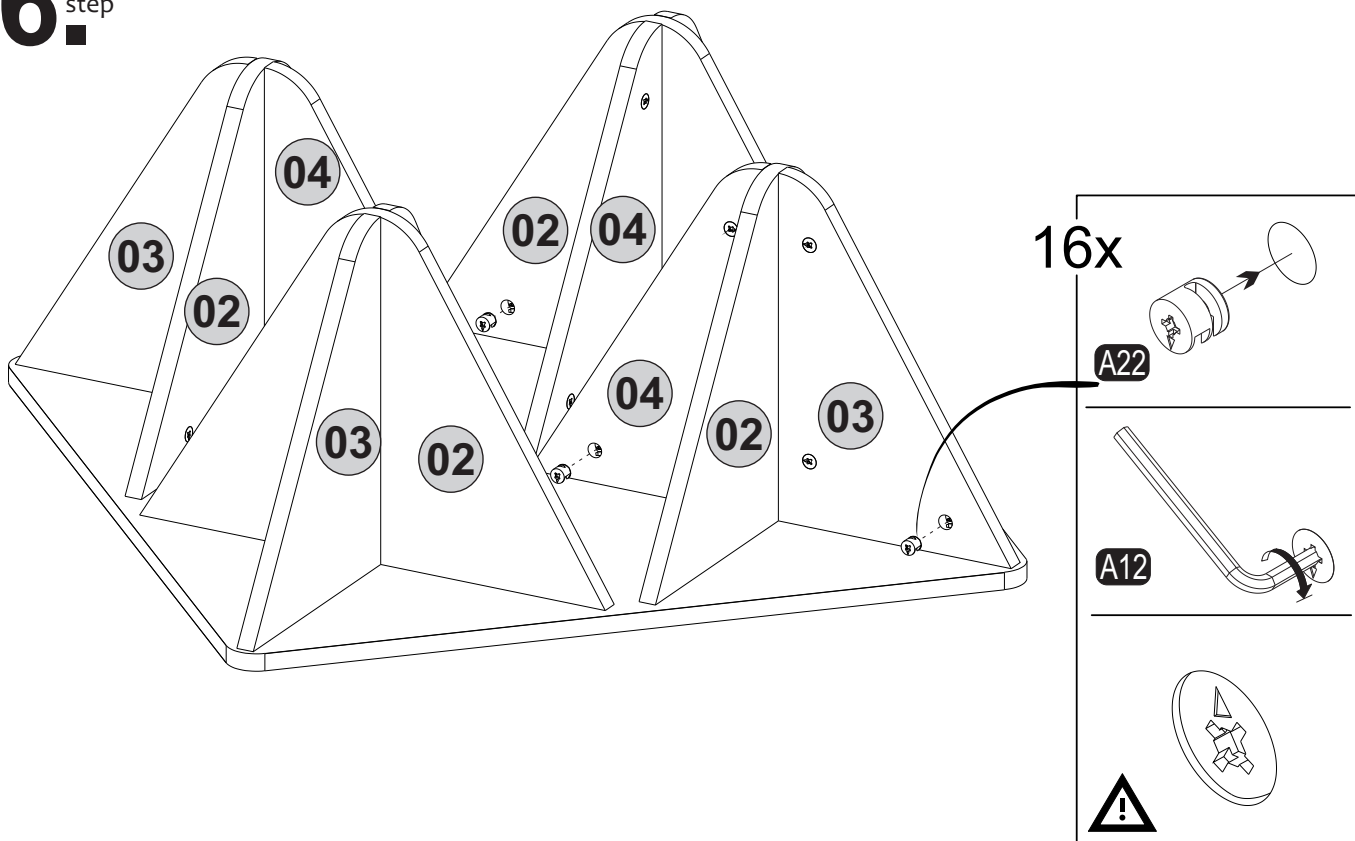
# 4. step



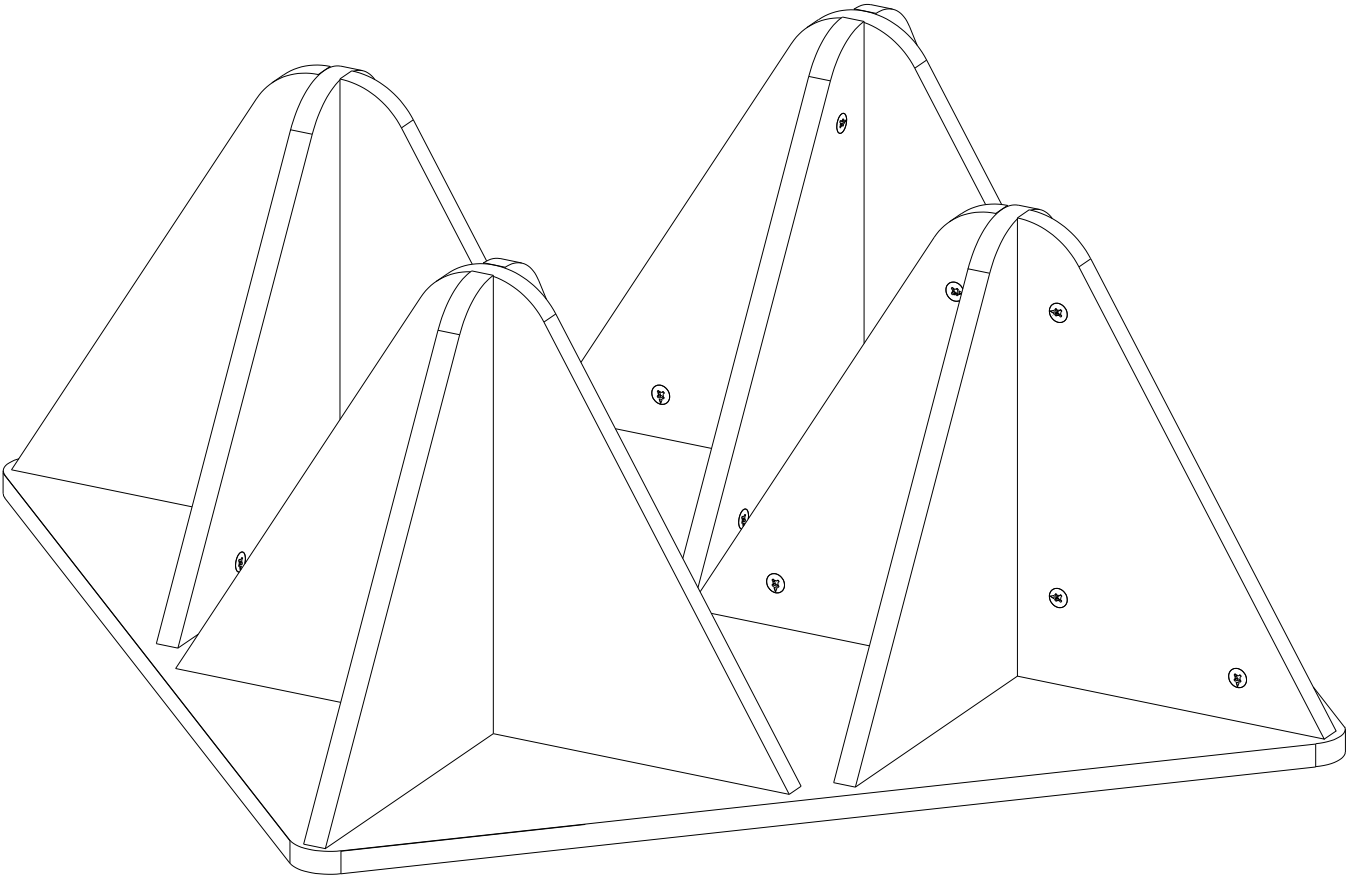
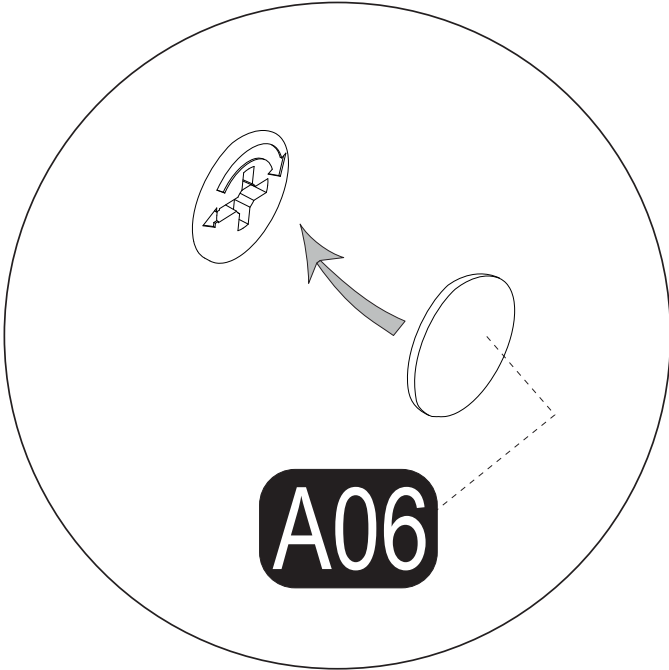
# 5<sup>step</sup>



# 6<sup>step</sup>



**7** step



# 8<sup>step</sup>

