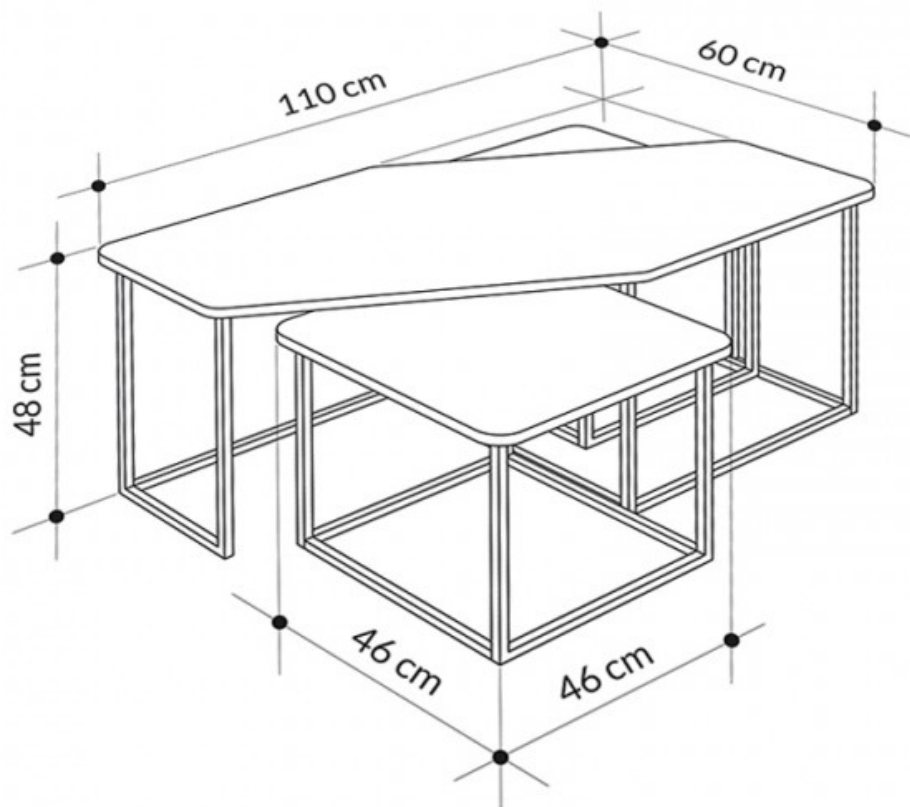
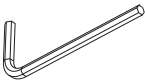




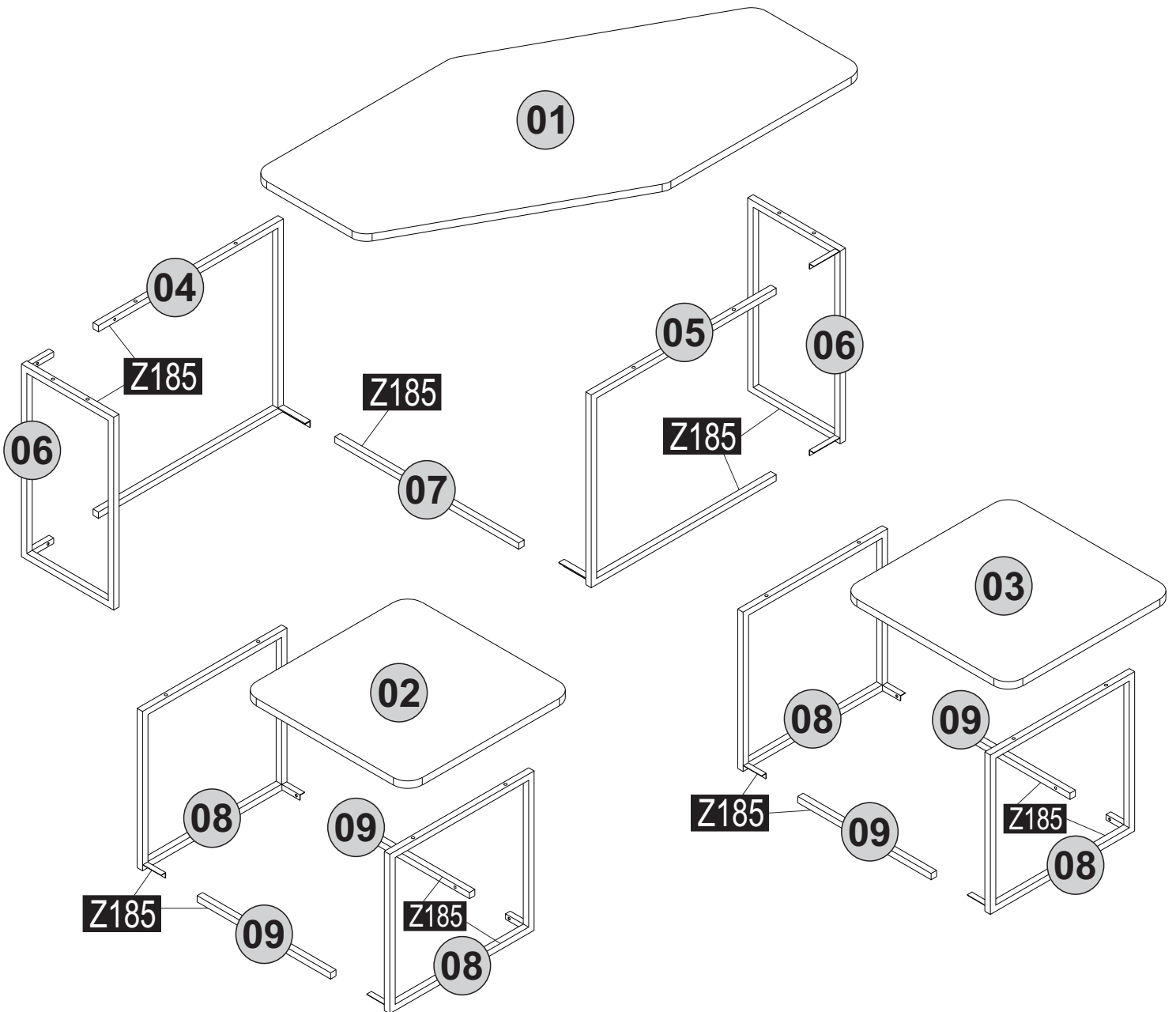


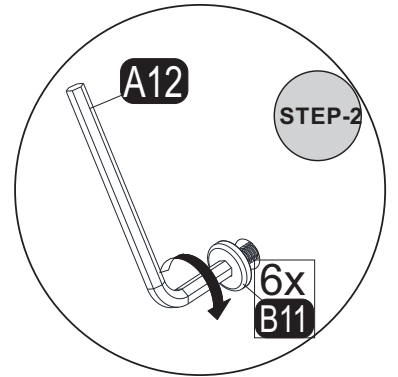
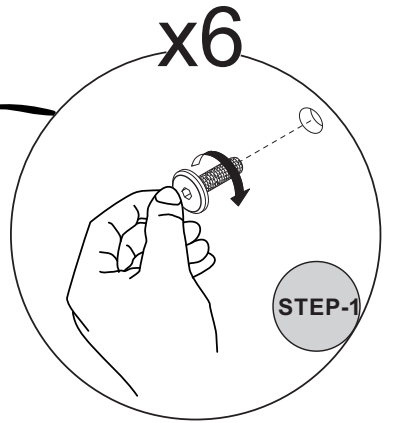
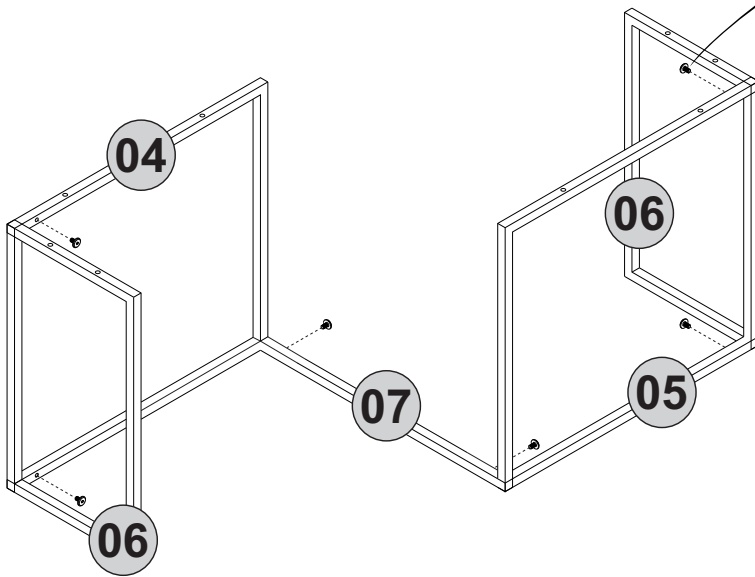
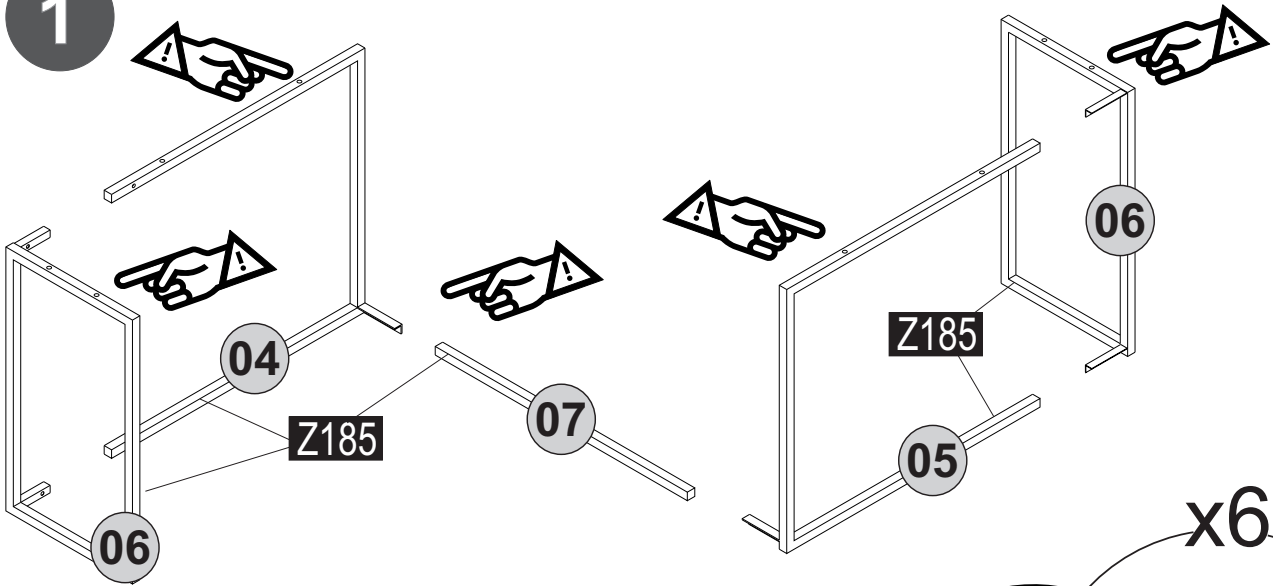
**i** GP037-0195,1



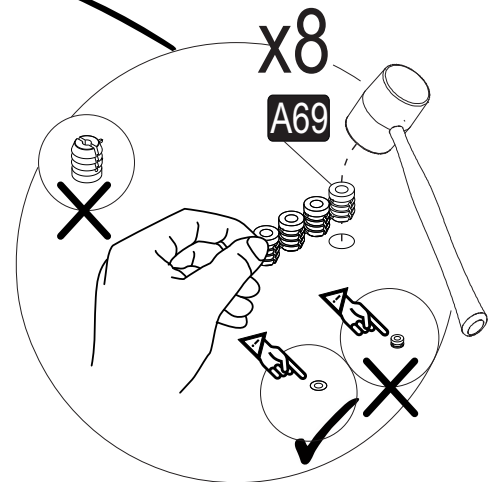
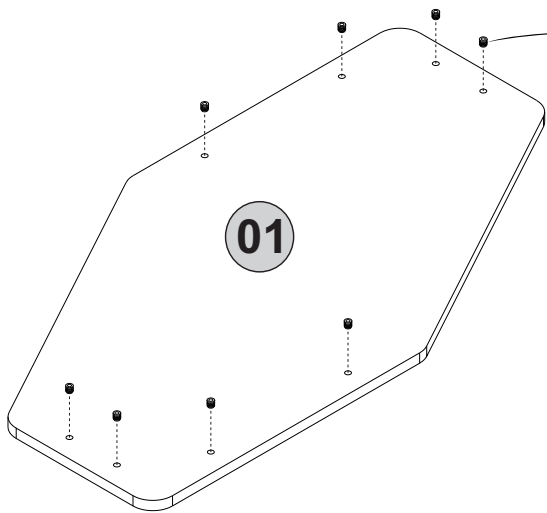
<b>A12</b>  Allen <b>1x</b>	<b>A69</b>  P.D. <b>16x</b>	<b>B13</b>  25 (black)mm <b>16x</b>	<b>B11</b>  10 (black)mm <b>14x</b>	<b>Z185</b>  <b>1x</b>
---	---	--	--	---



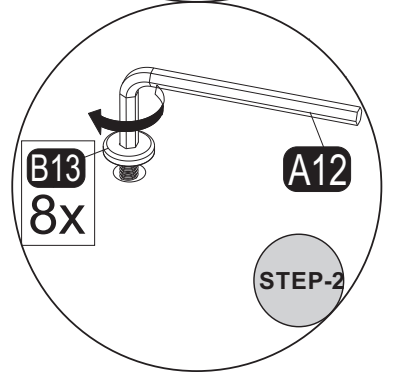
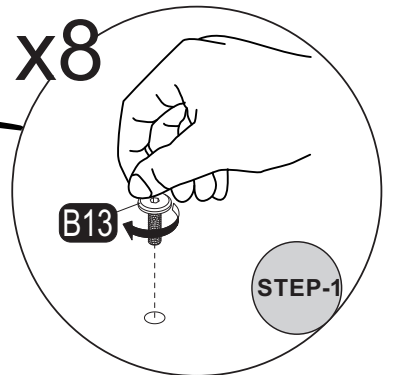
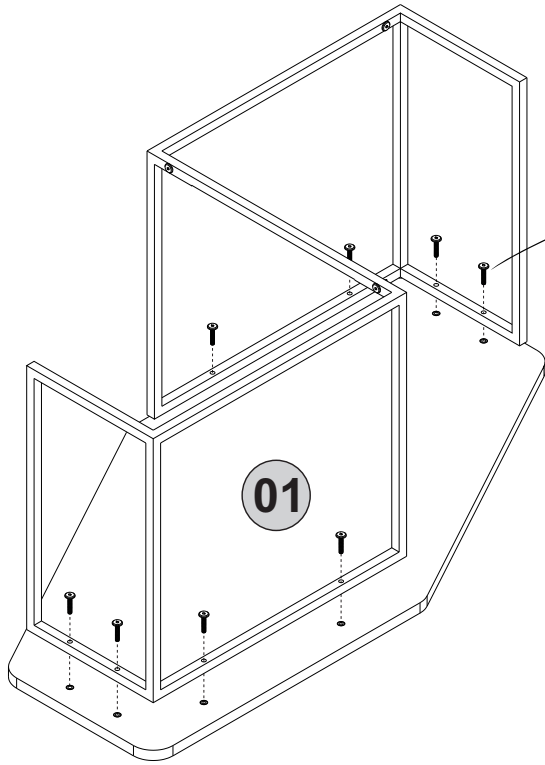
1



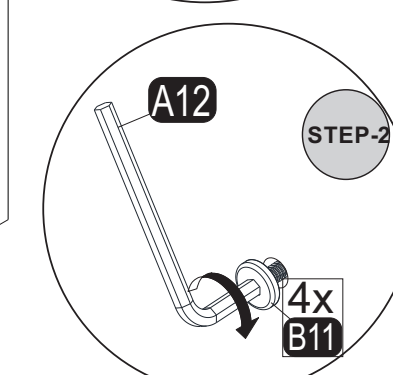
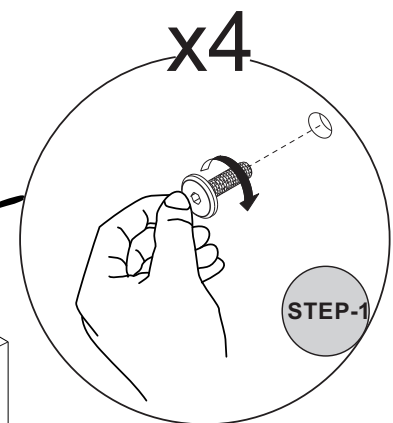
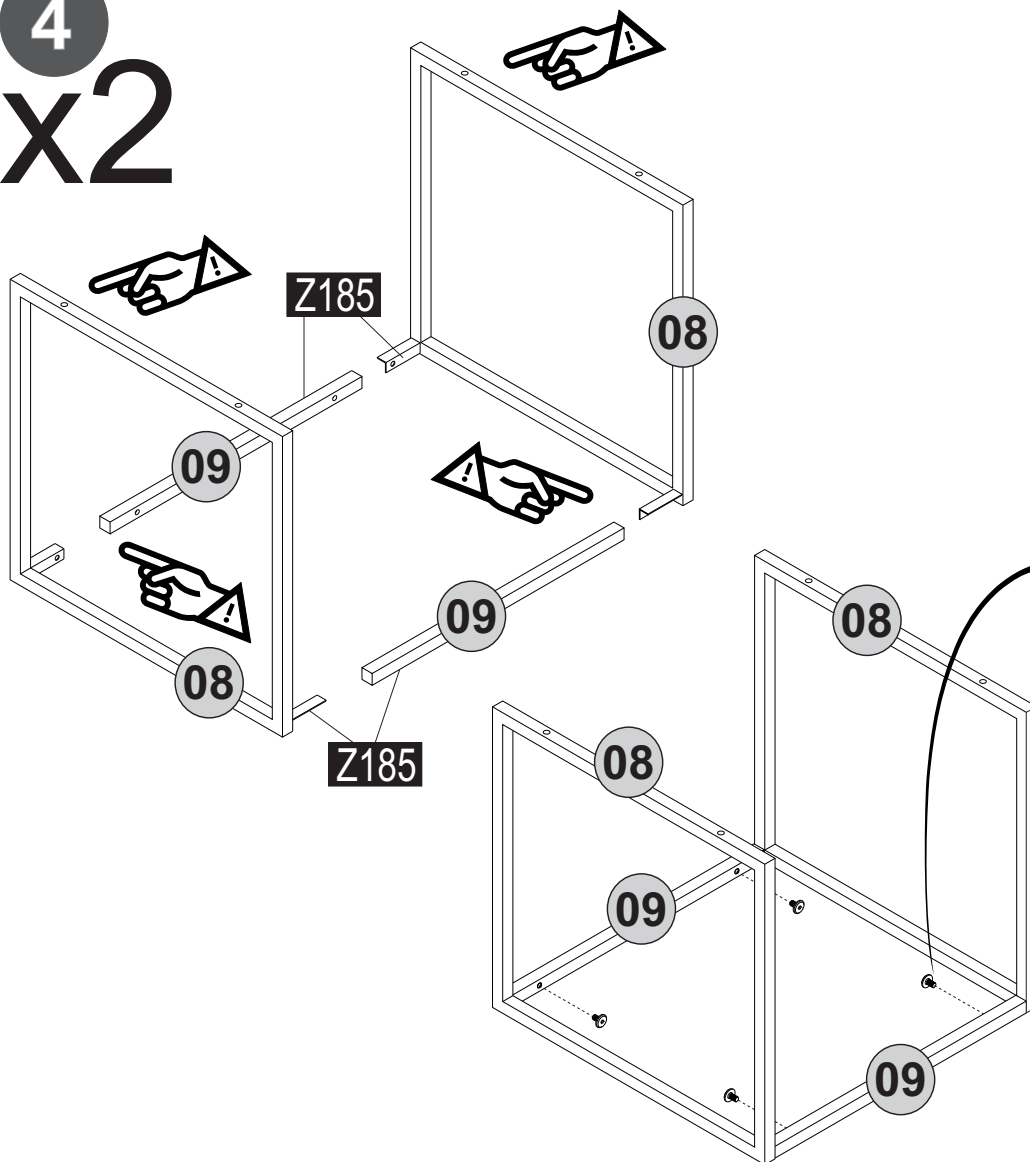
2



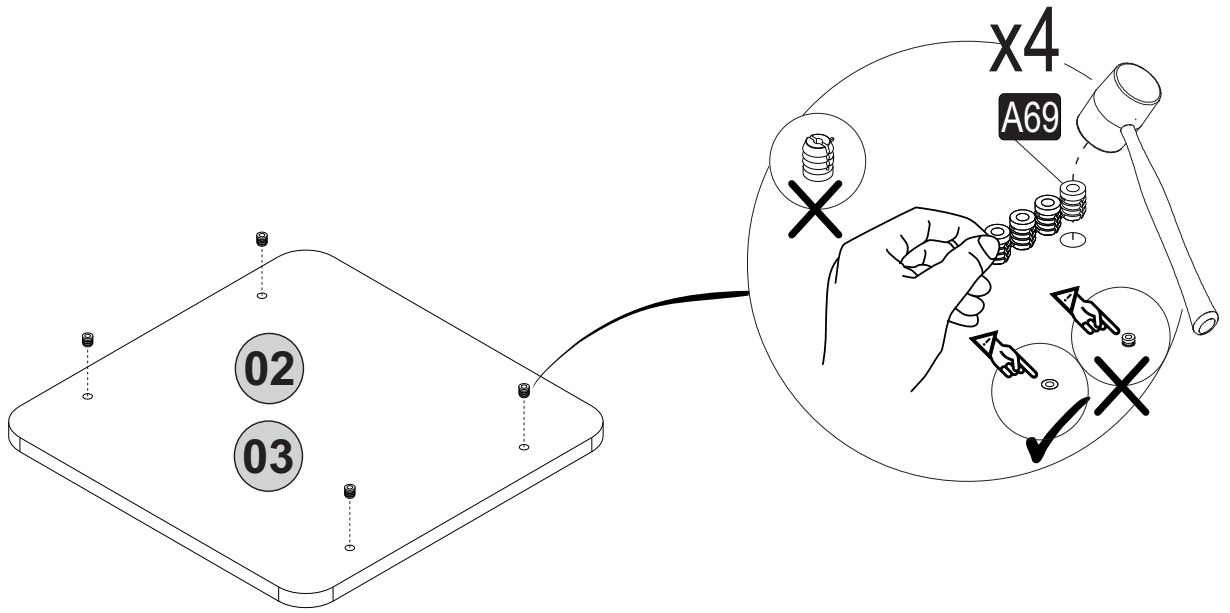
3



4  
x2



**5**  
**x2**



**6**  
**x2**

