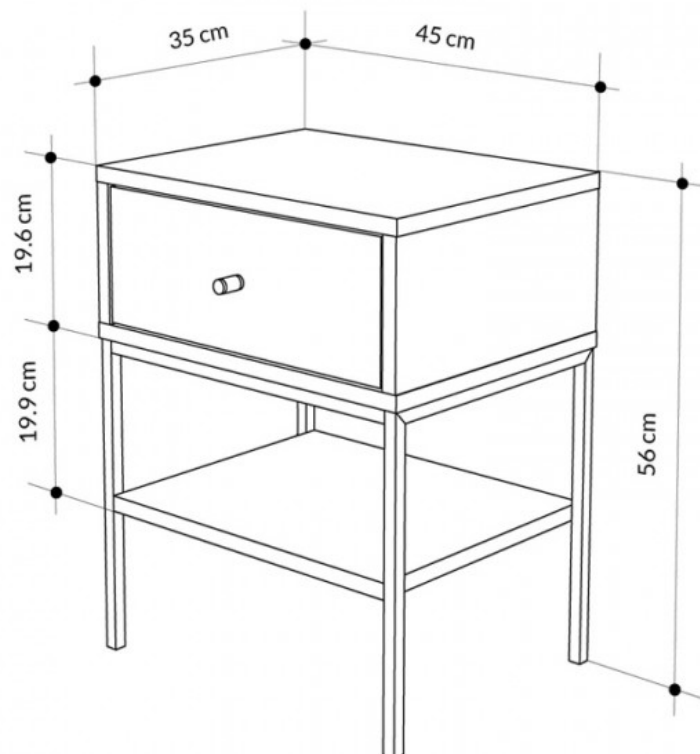
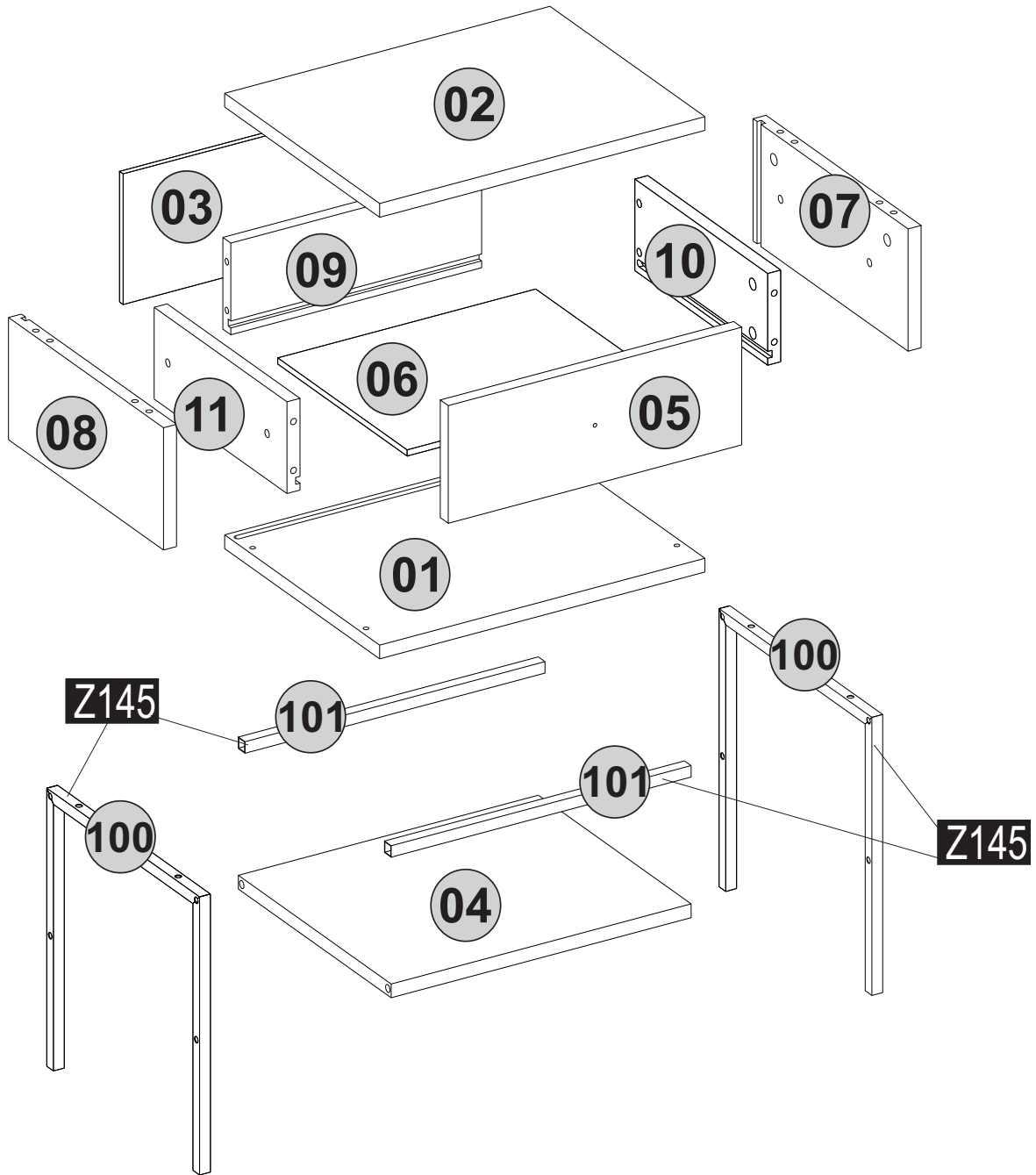
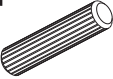





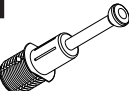
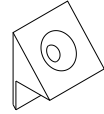



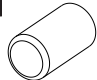
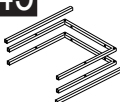
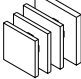
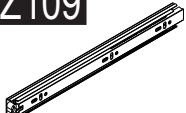





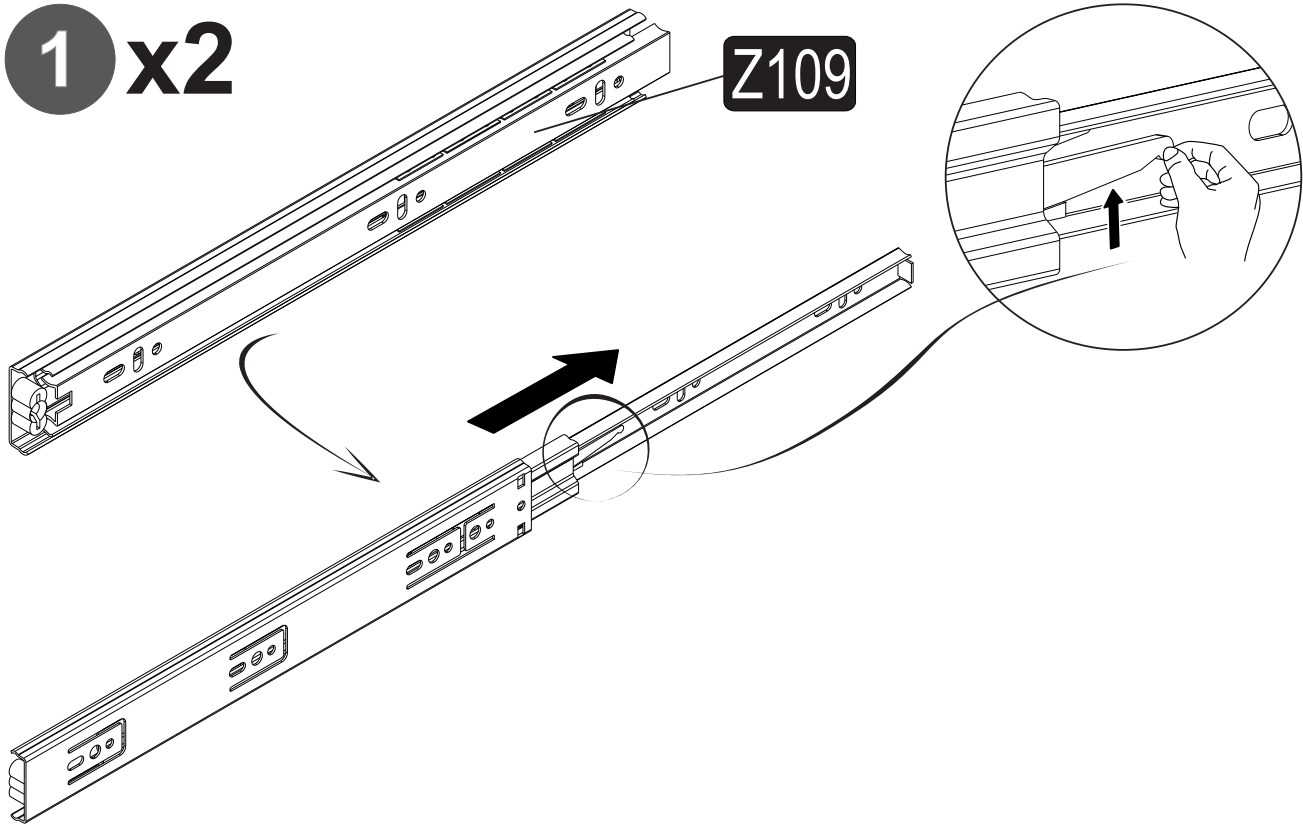
**GP037-0234,1**



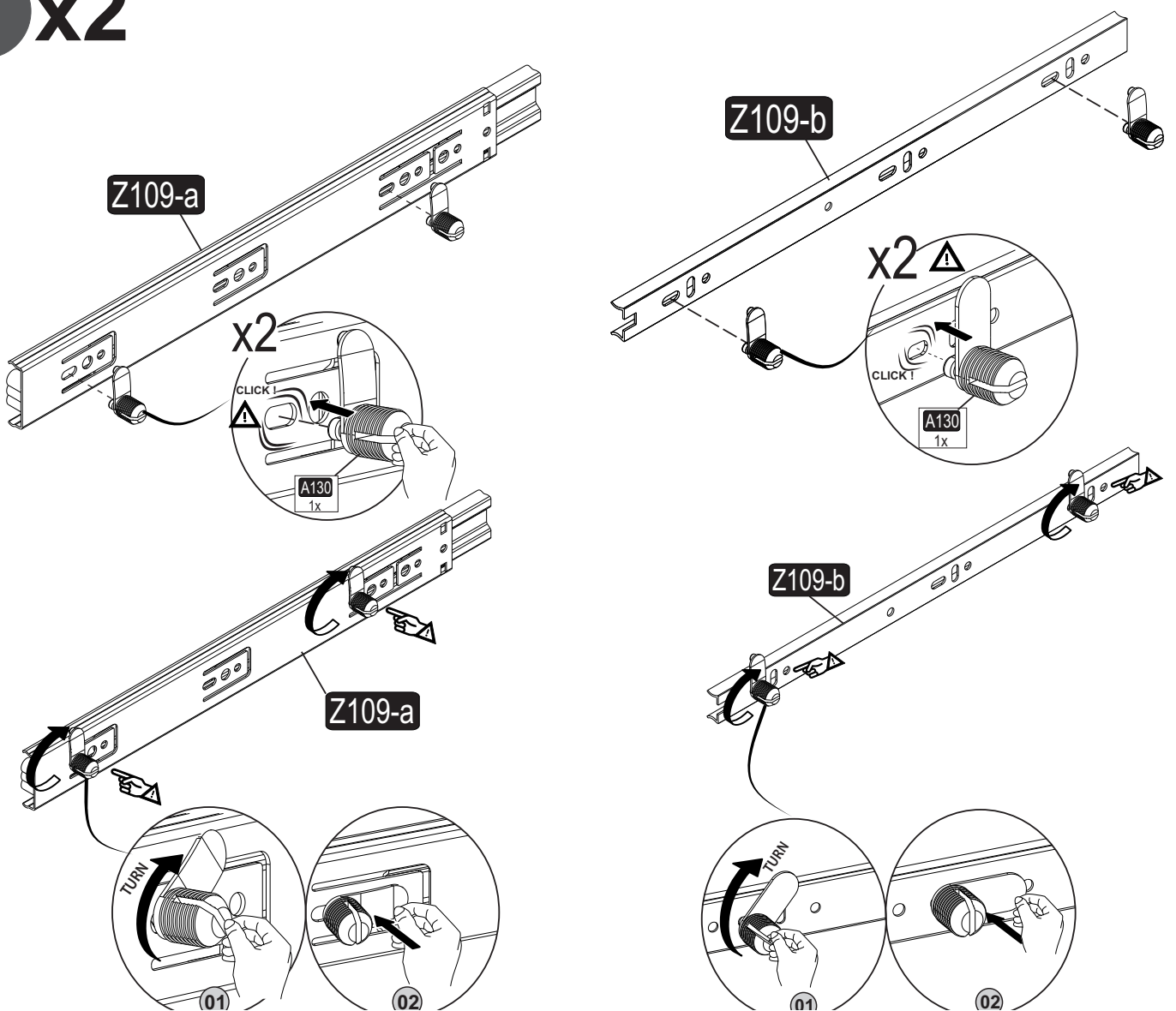


<b>A04</b>  Ø8x30 4x	<b>A06</b>  18mm C1-16x 12x	<b>A12</b>  Allen 1x	<b>A13</b>  50mm 4x	<b>A18</b>  3,5x18 6x
<b>A22</b>  Minifix k18 12x	<b>A23</b>  Minifix M10 12x	<b>A25</b>  ARK.PL 6x	<b>A69</b>  P.D. 8x	<b>B13</b>  25 (black)mm 12x
<b>Z07</b>  4x22kv 1x	<b>Z121</b>  MDK 1x	<b>Z145</b>  LKM 100-2x 101-2x	<b>Z21</b>  15x15x18 4x	<b>Z109</b>  35x300 TR 1x
				<b>A130</b>  8x

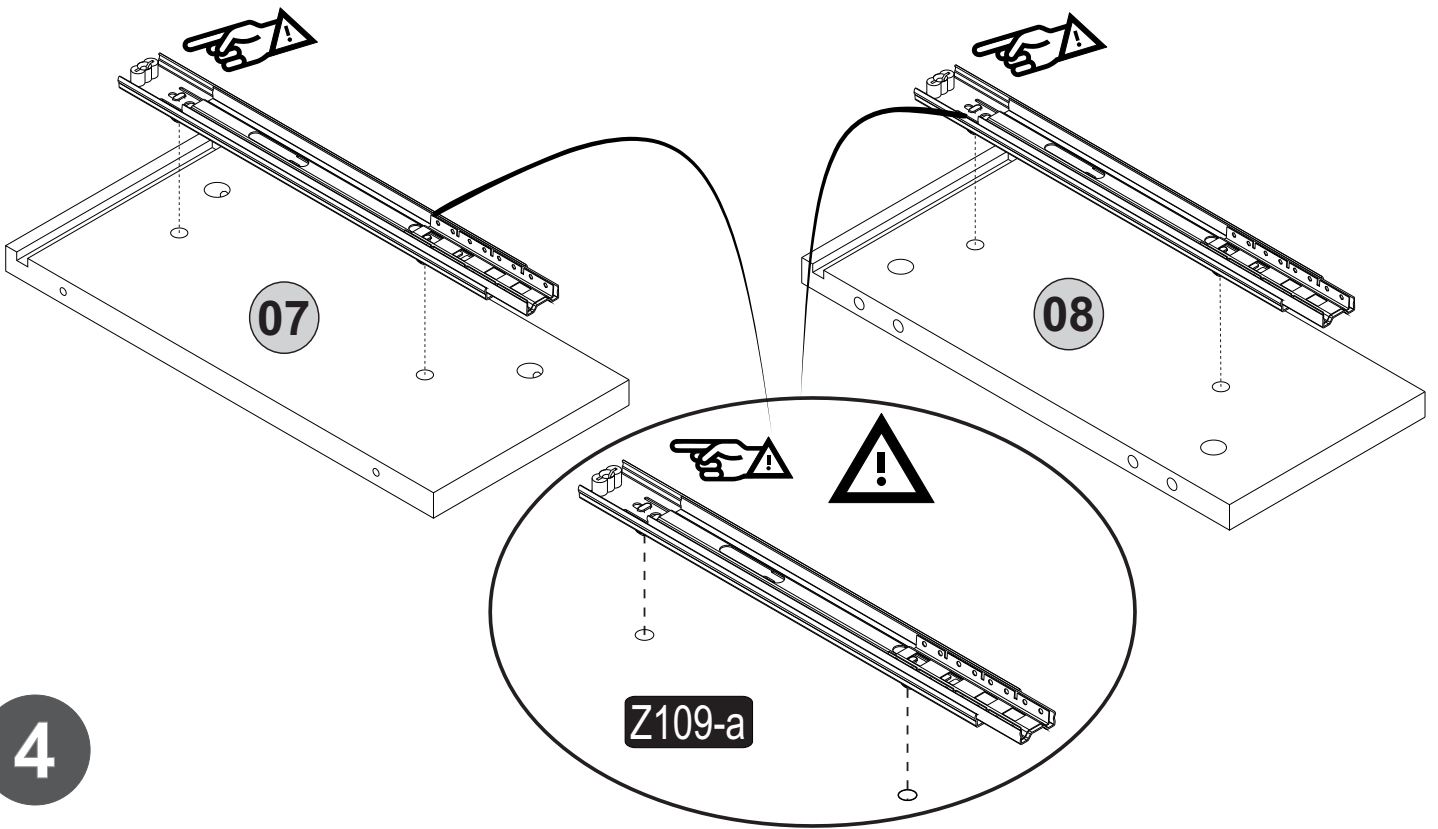
**1 x2**



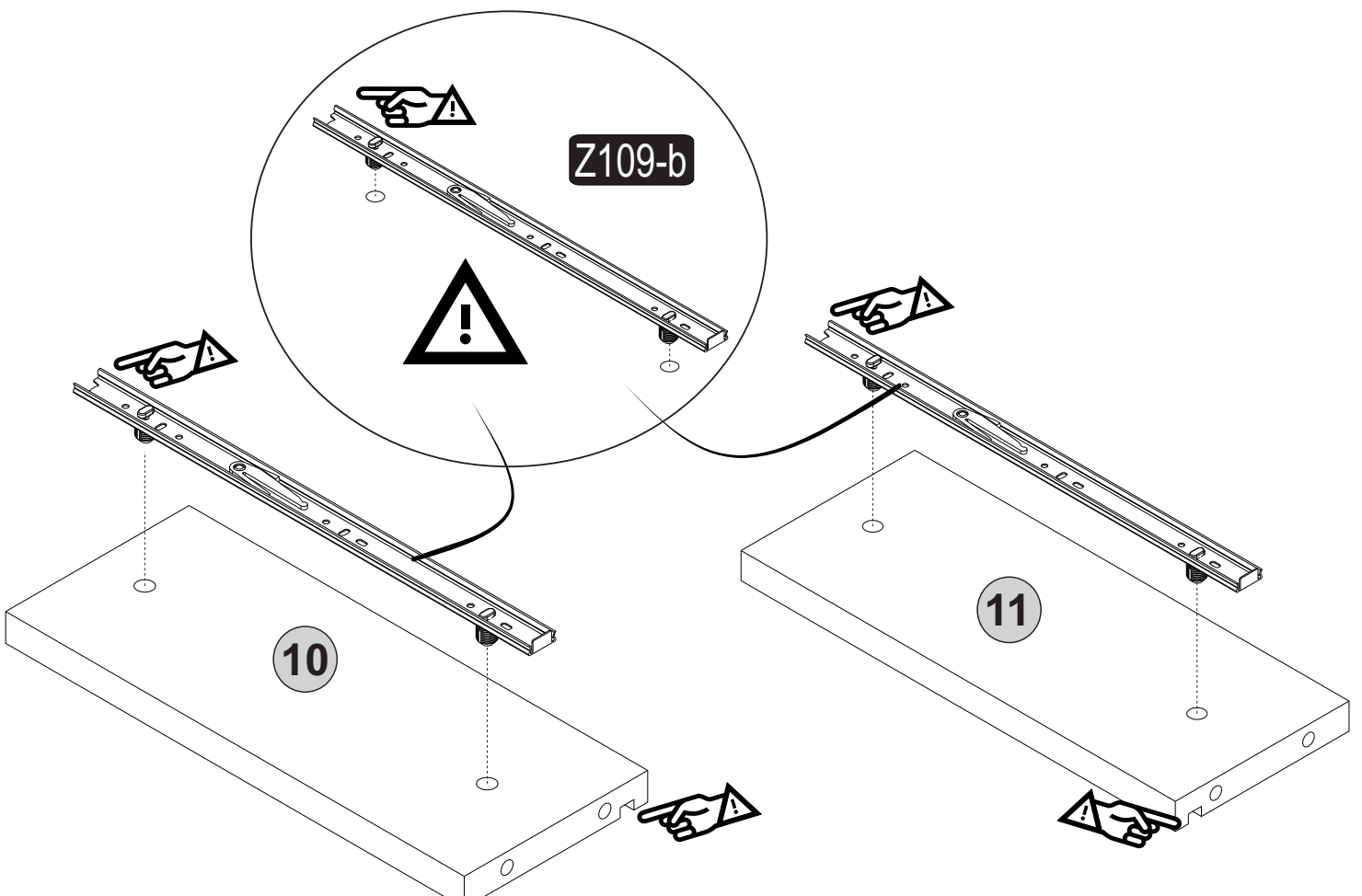
**2 x2**



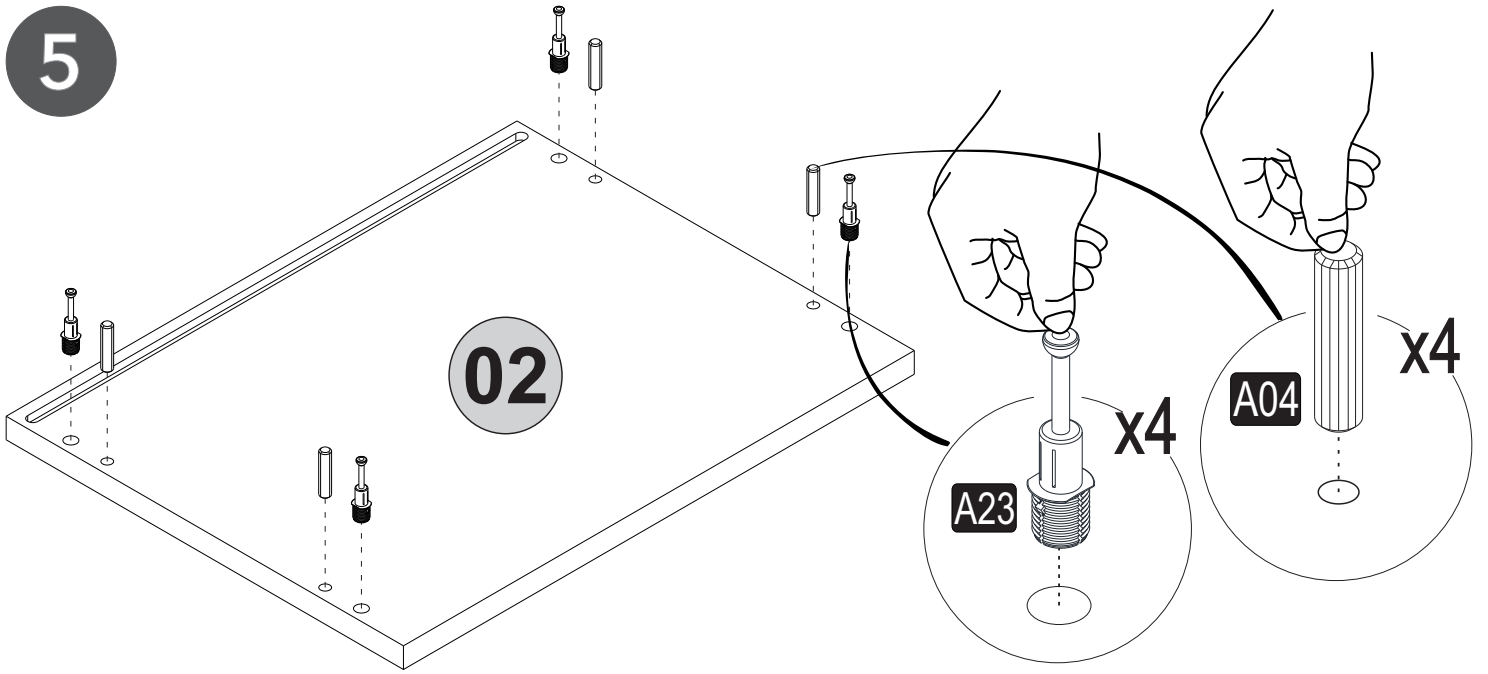
3



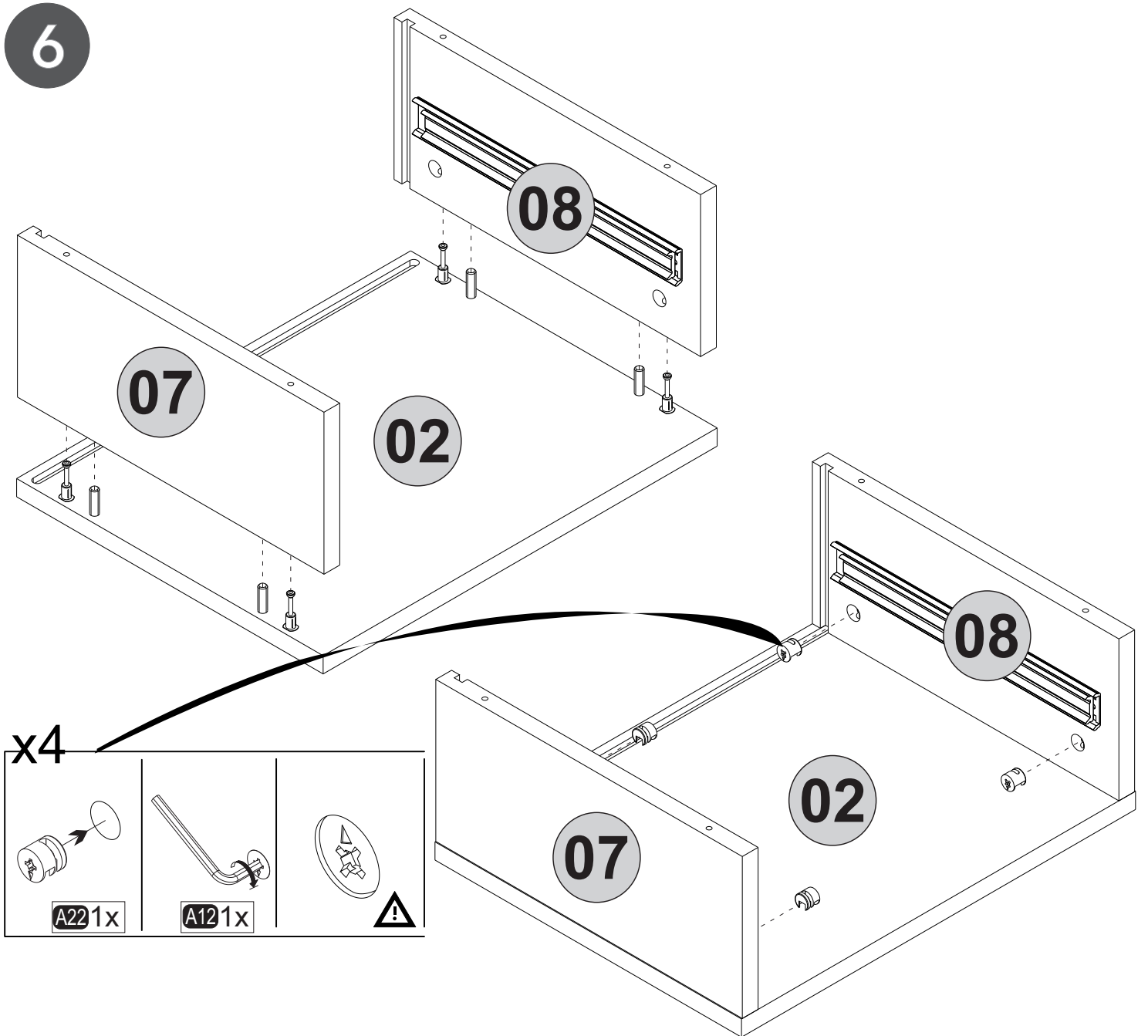
4



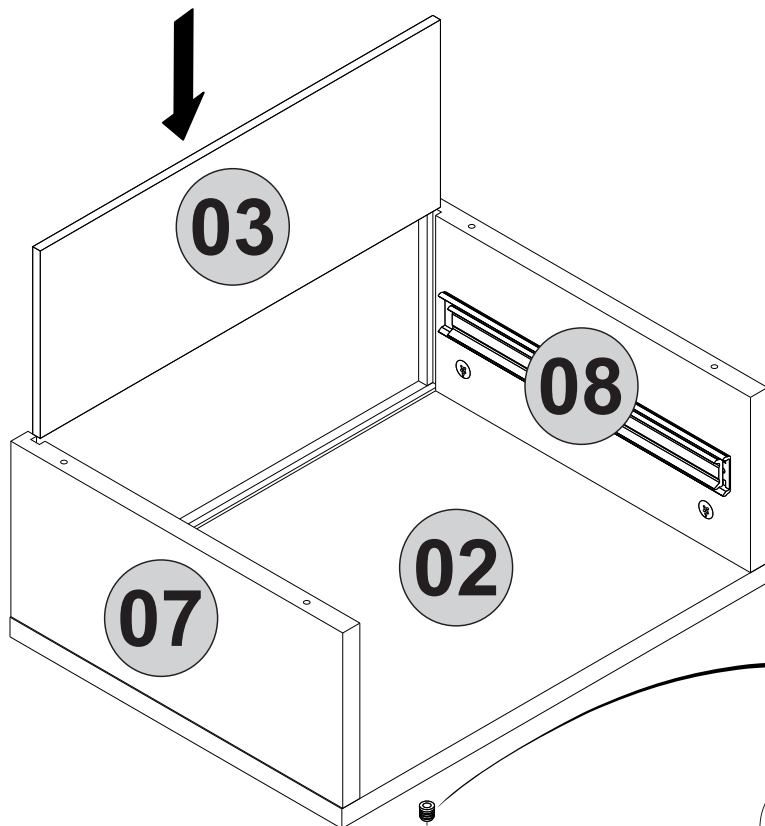
5



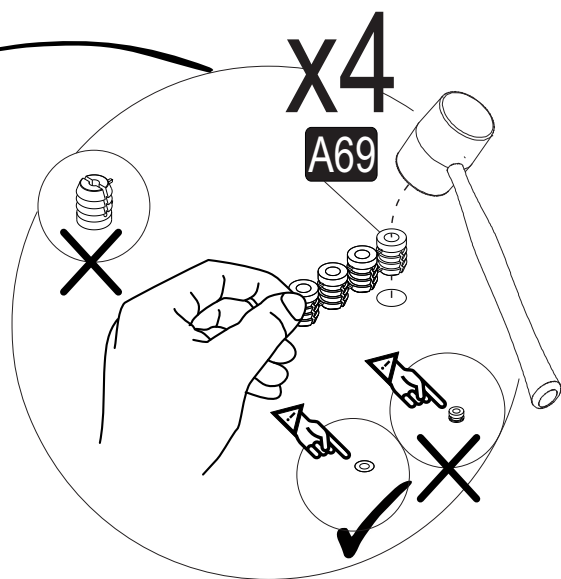
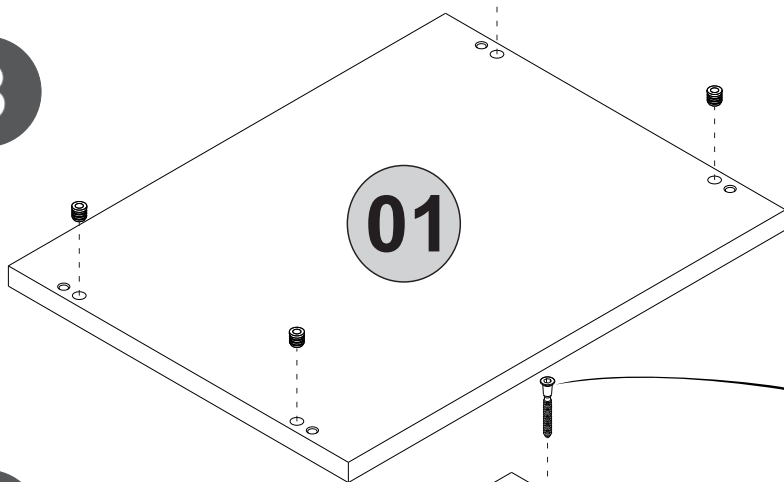
6



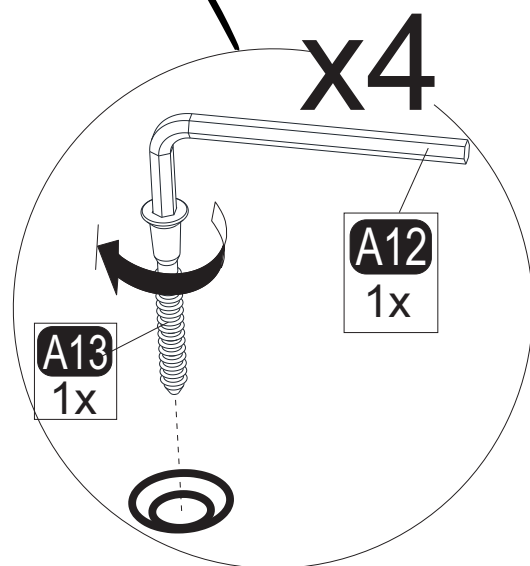
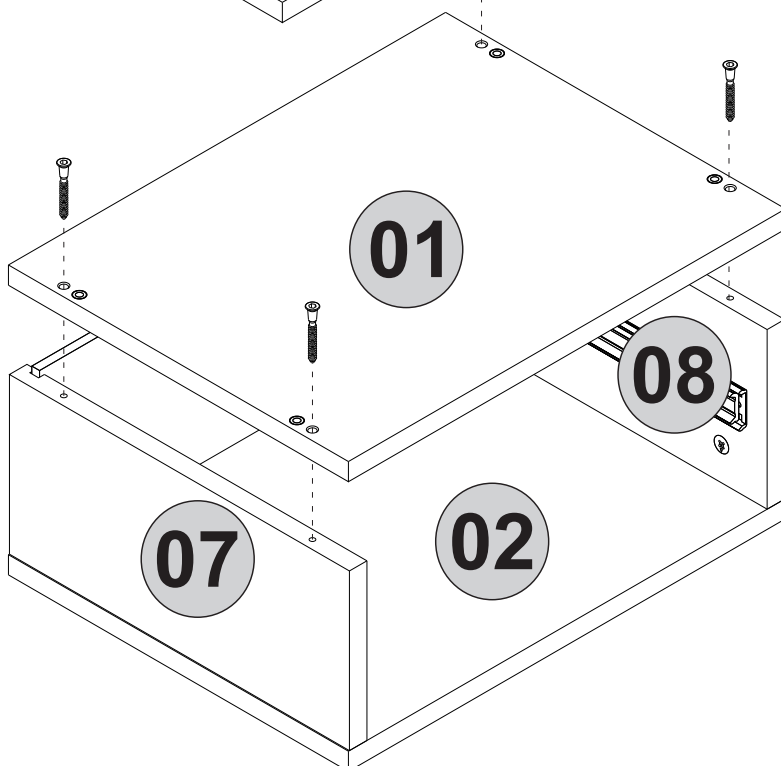
7



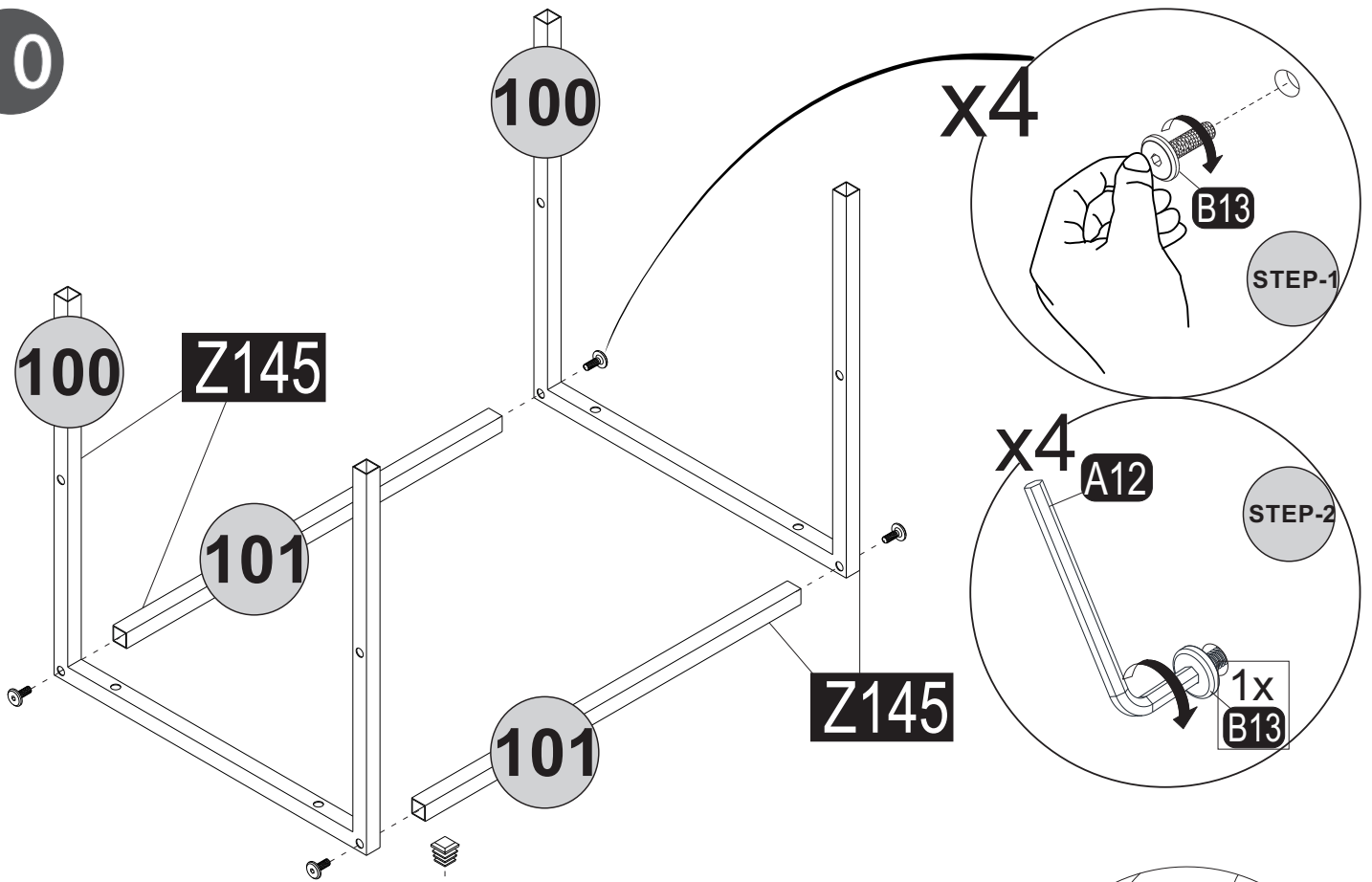
8



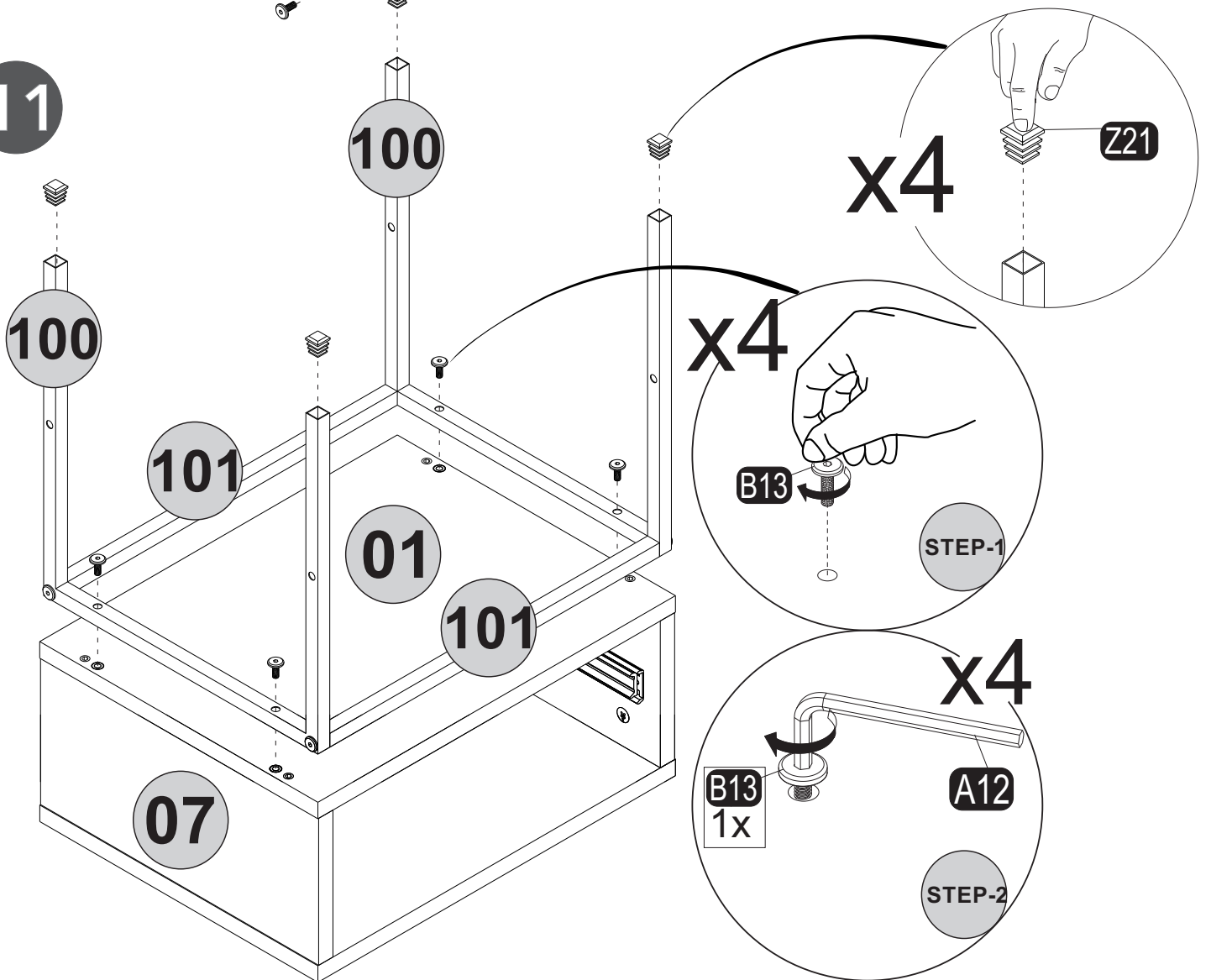
9



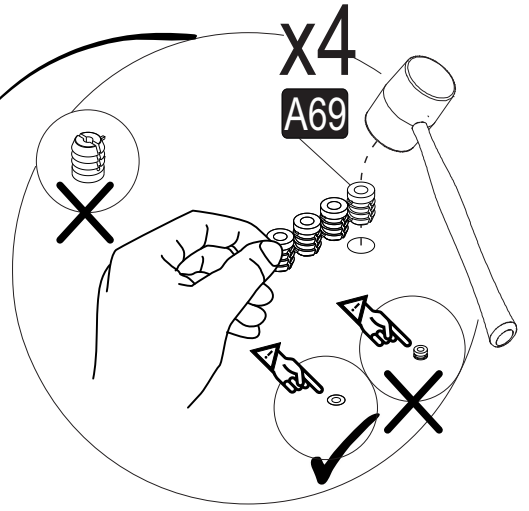
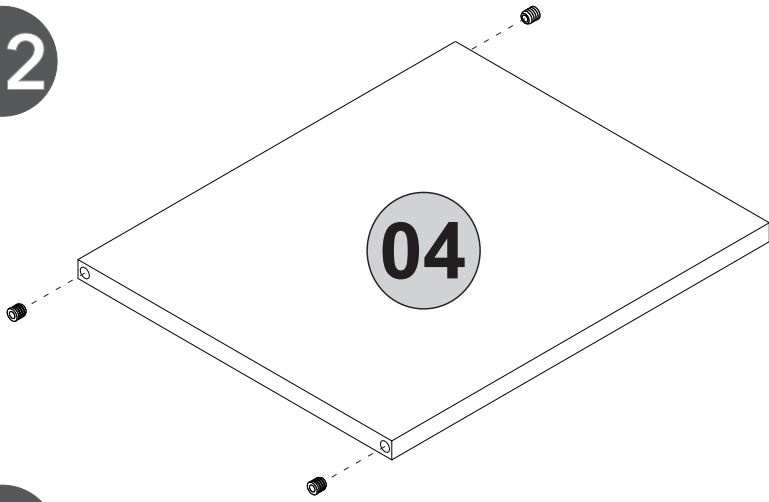
10



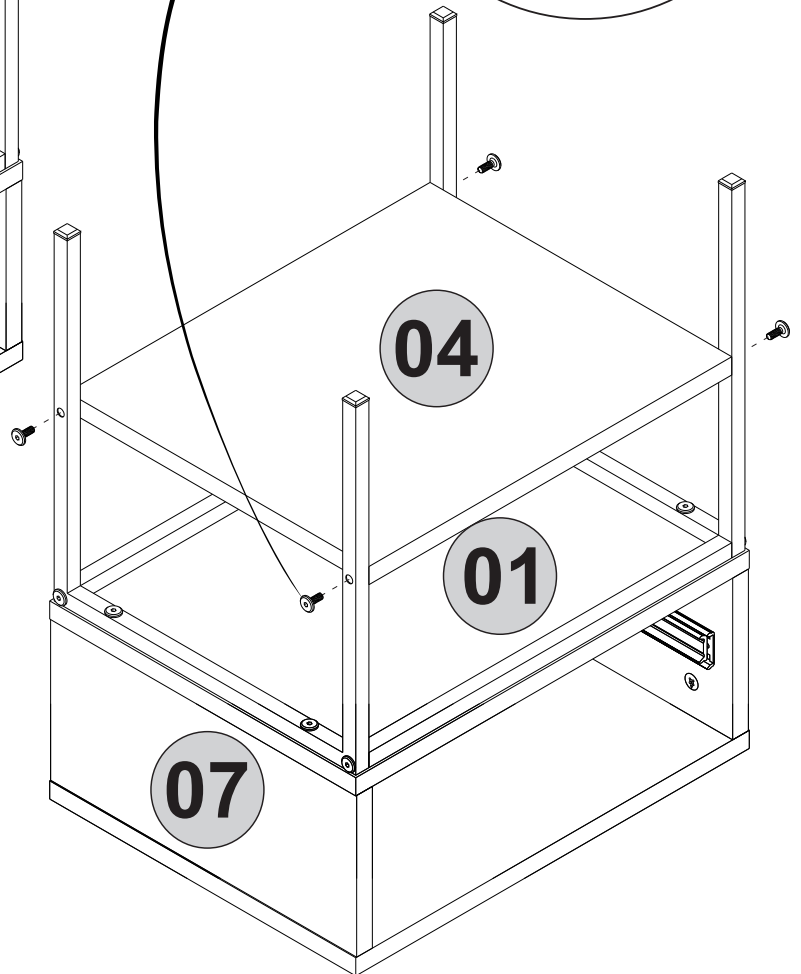
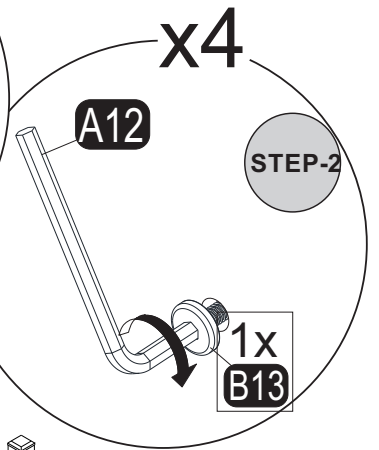
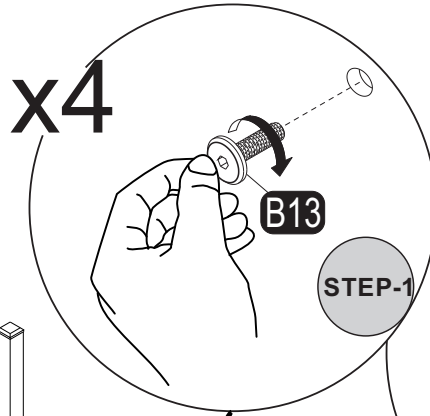
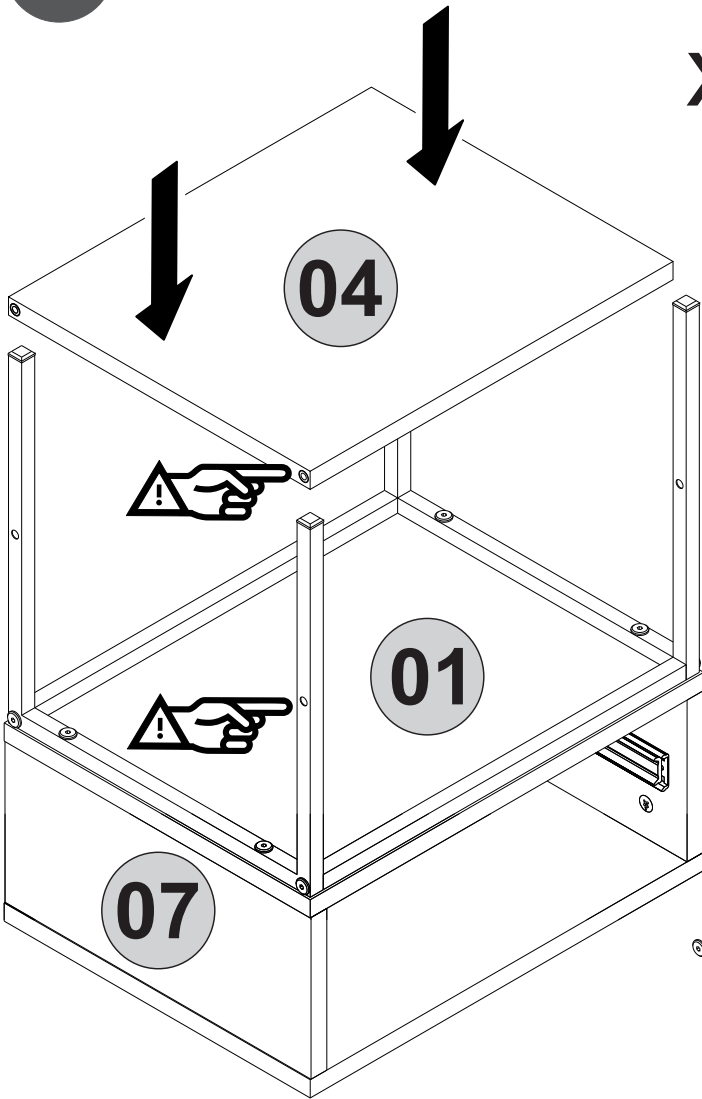
11

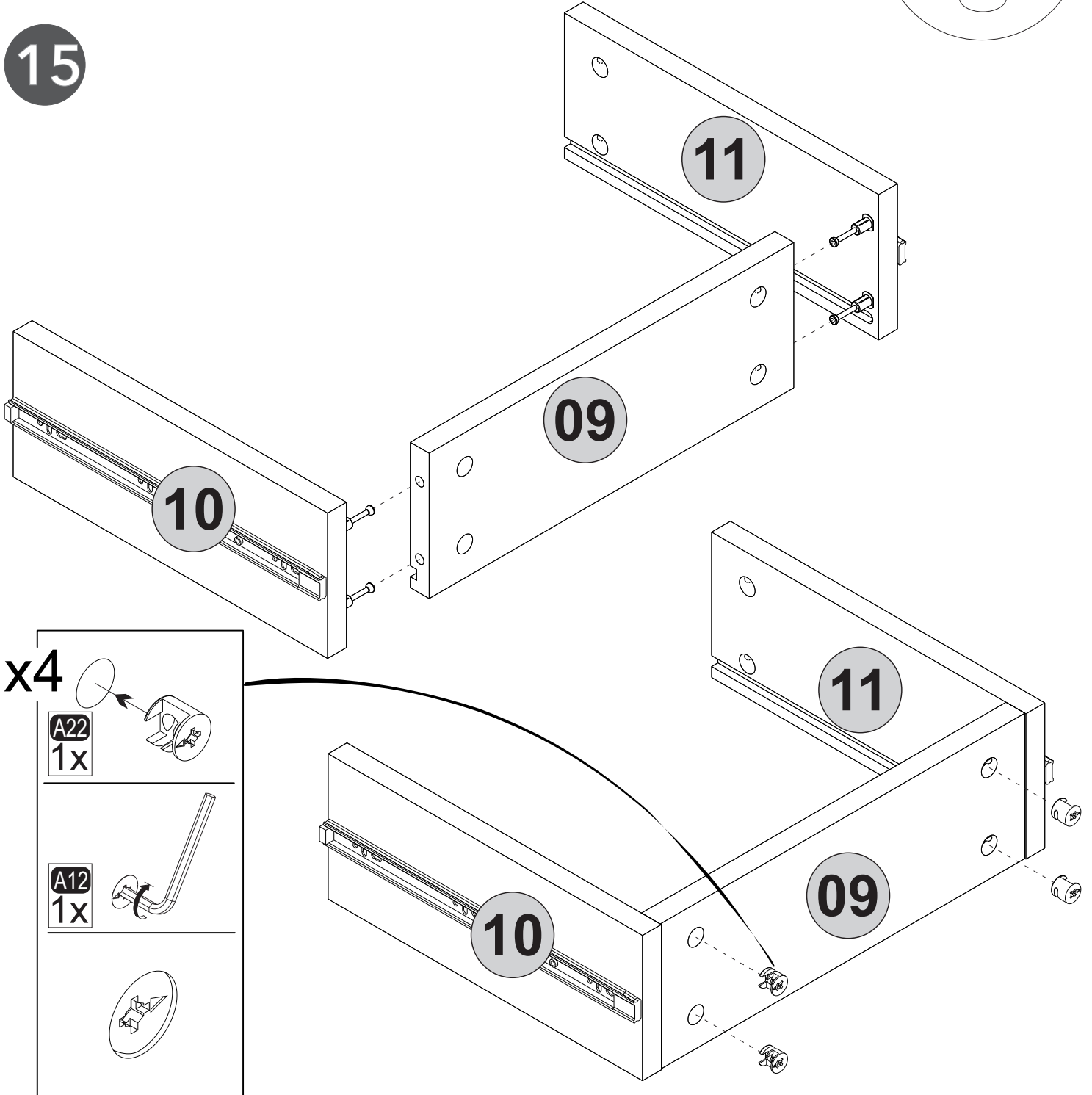
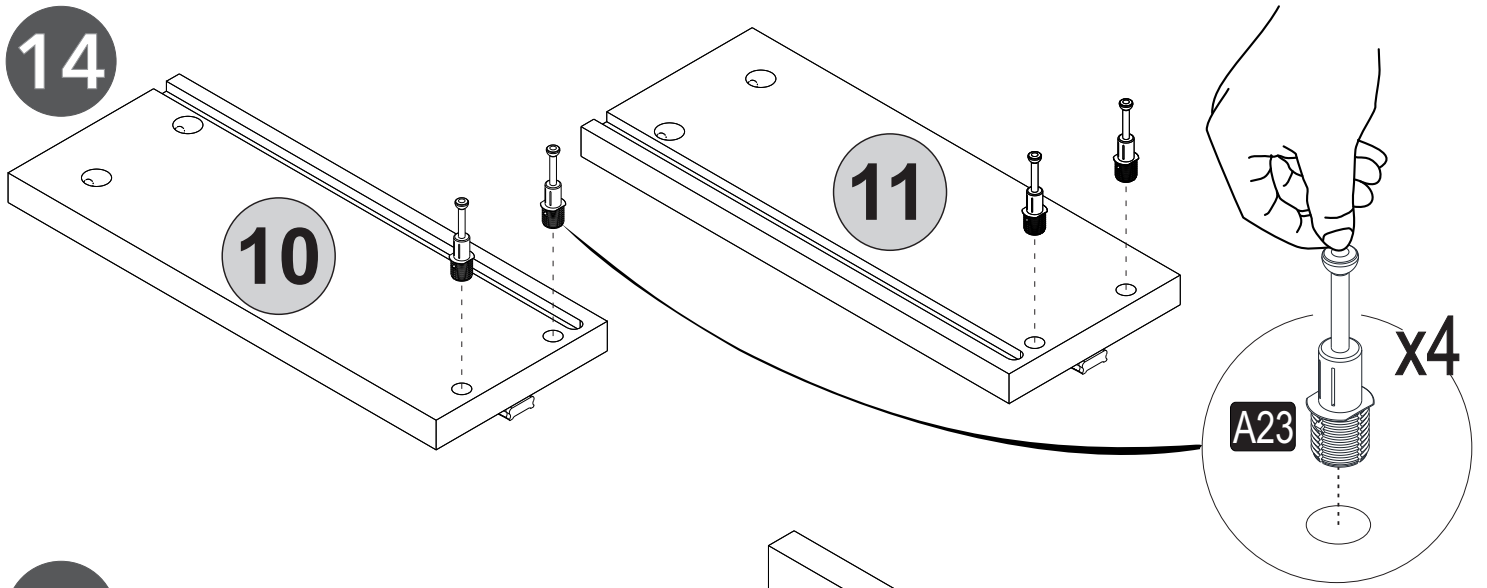


12

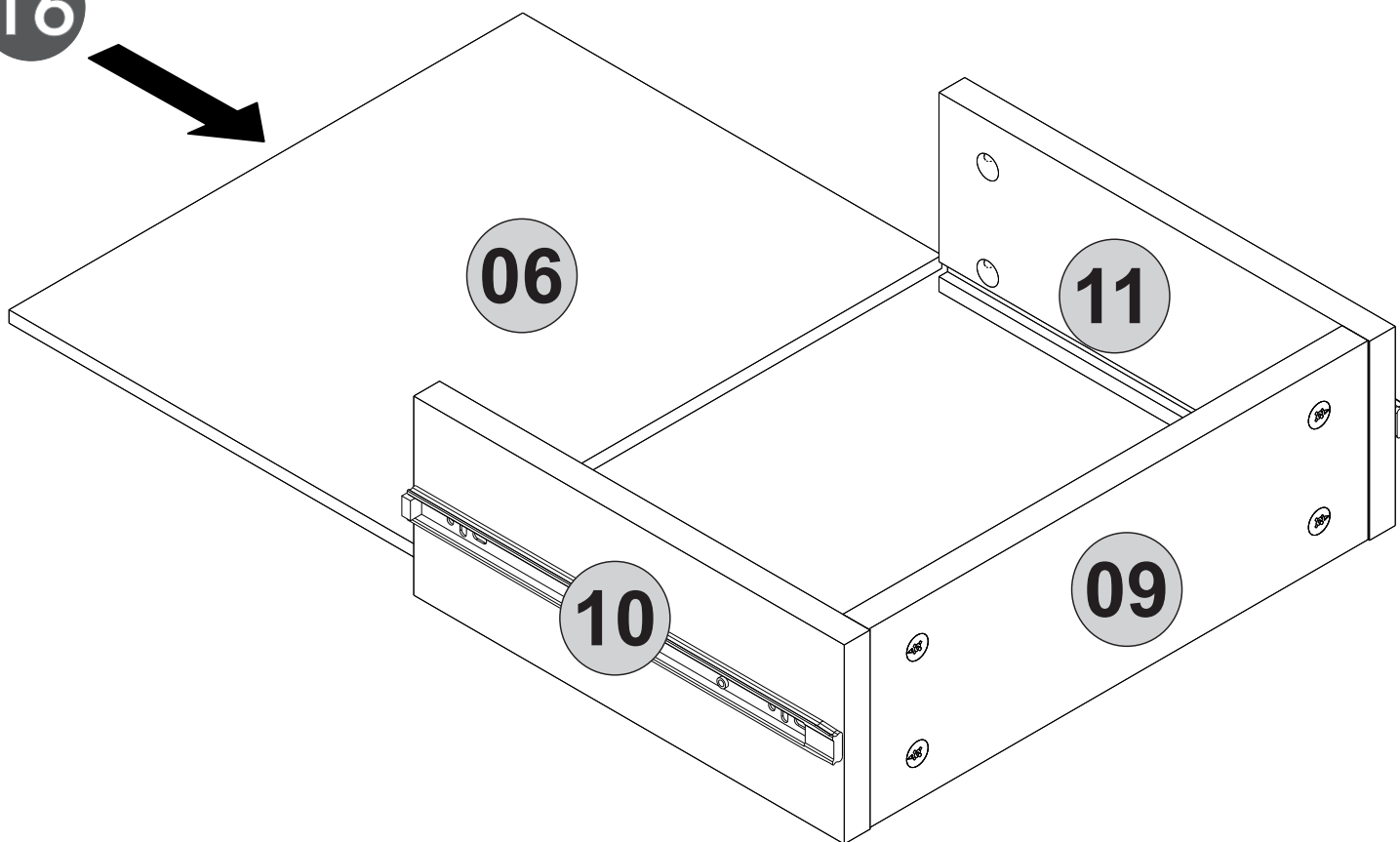


13

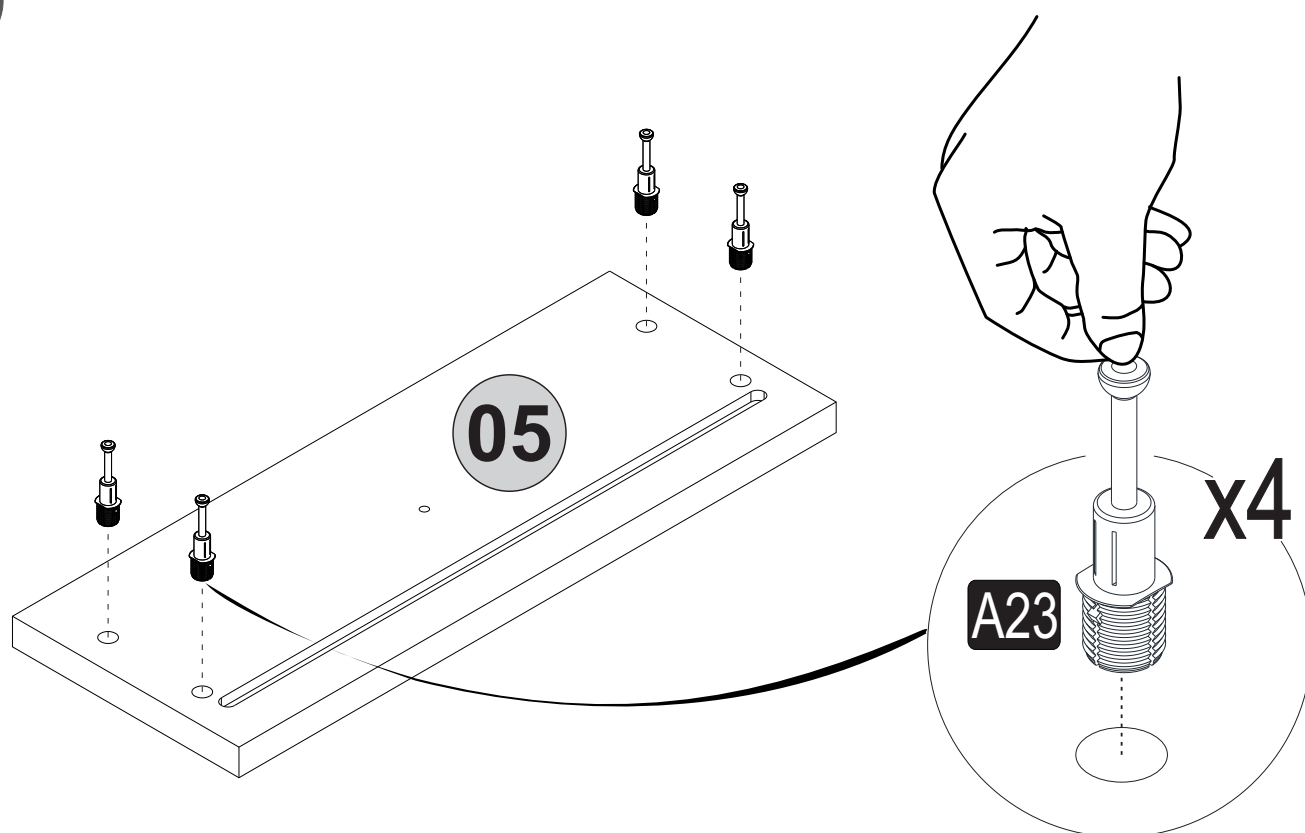




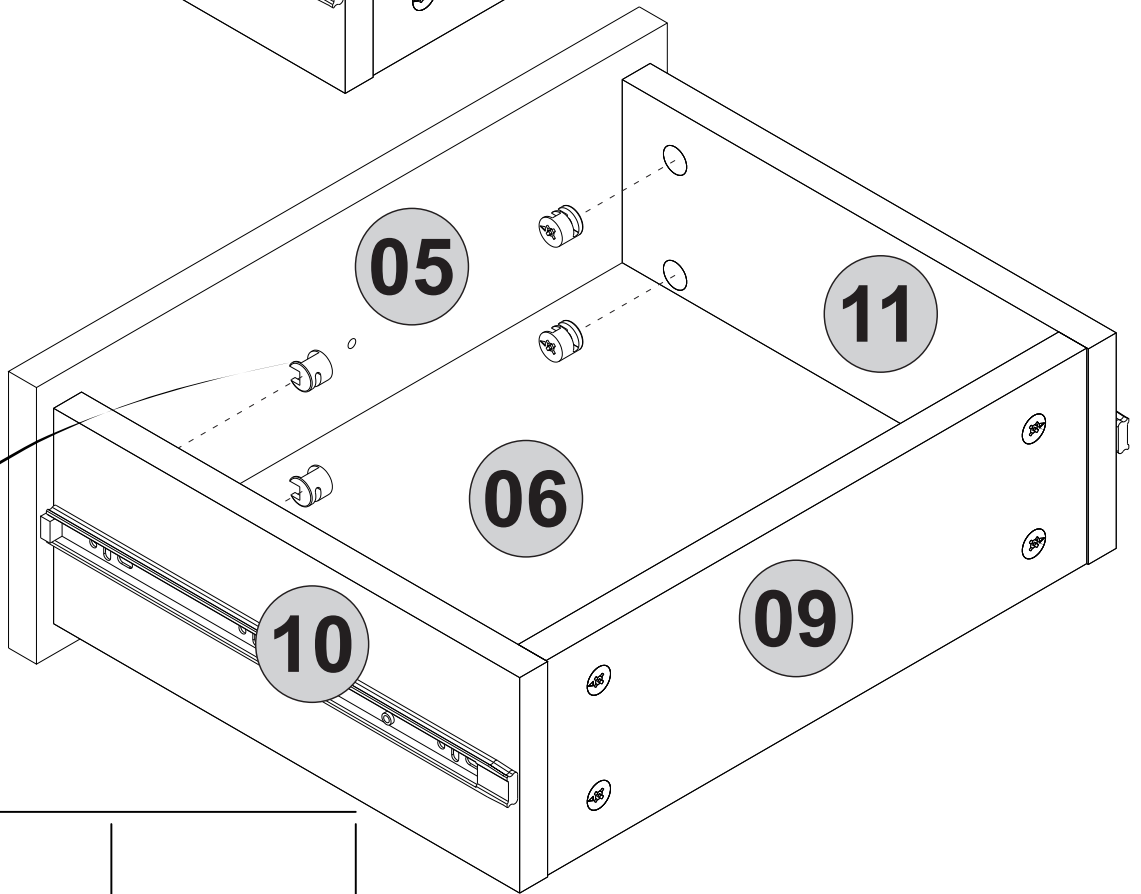
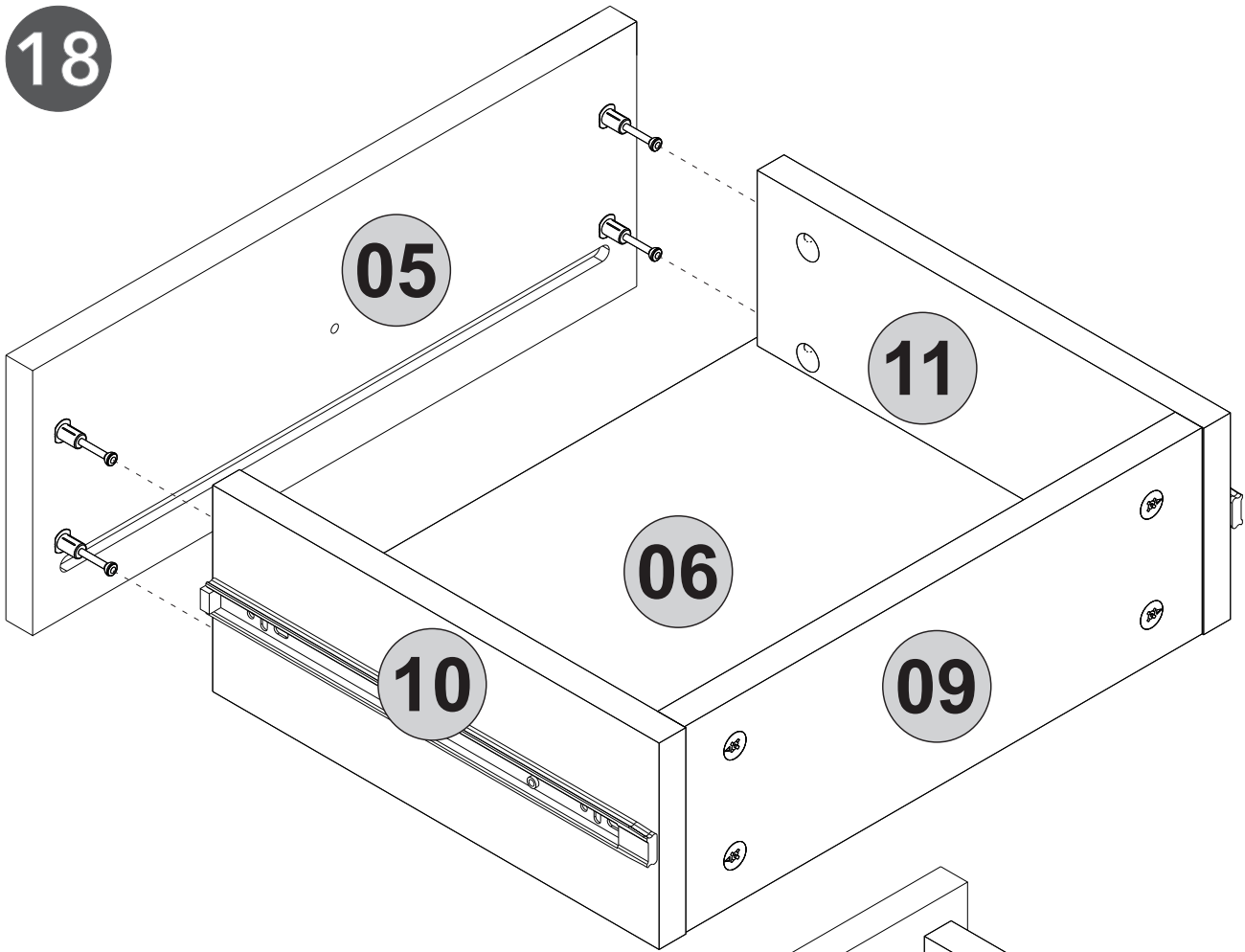
16



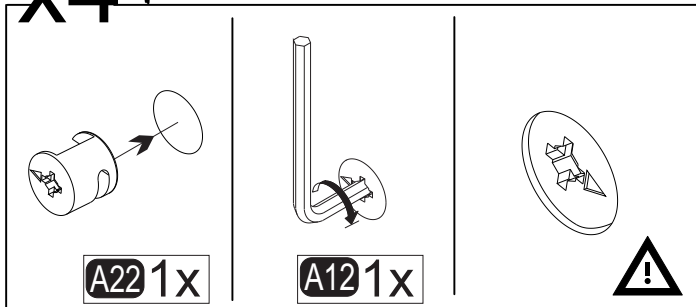
17

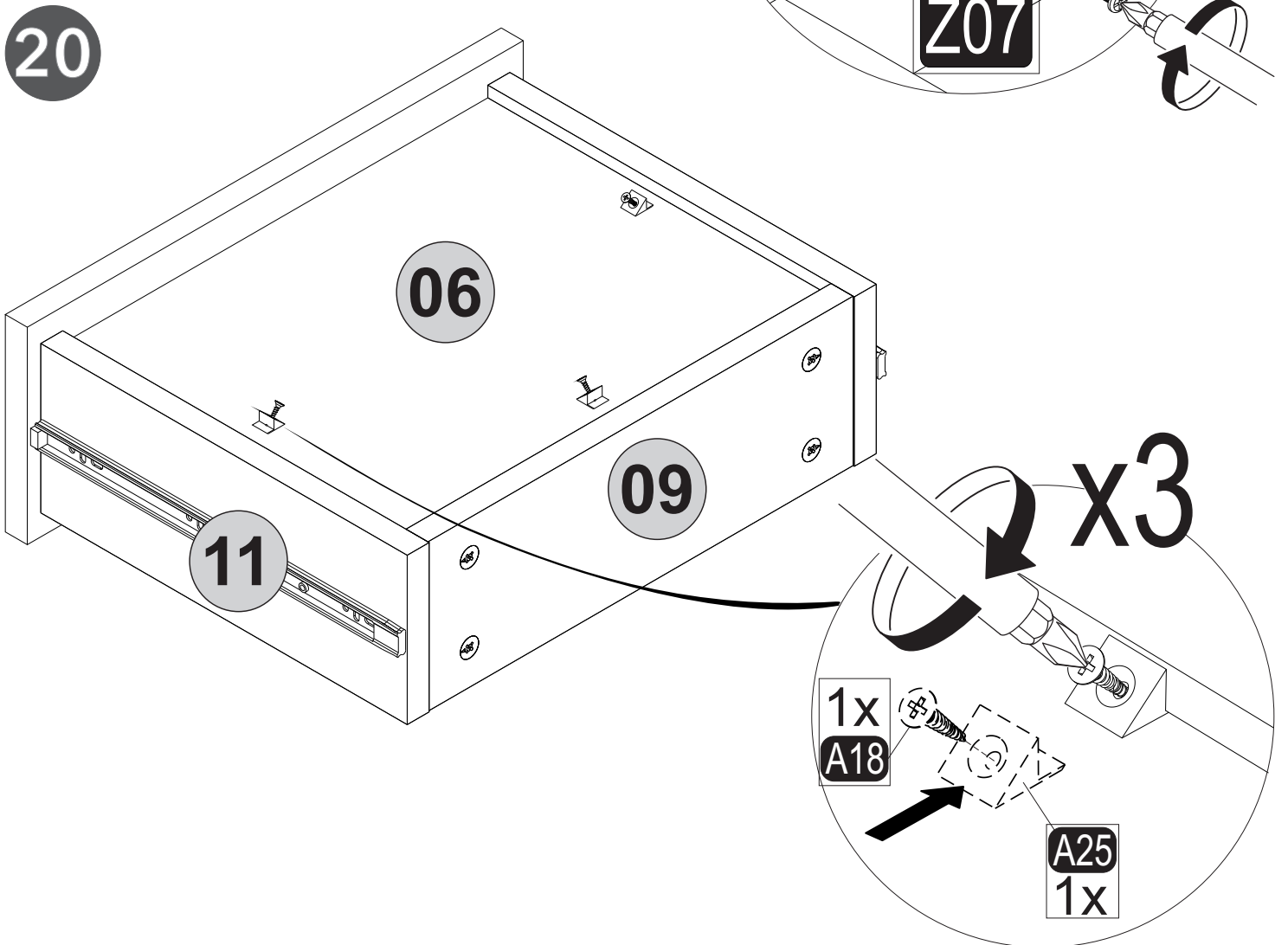
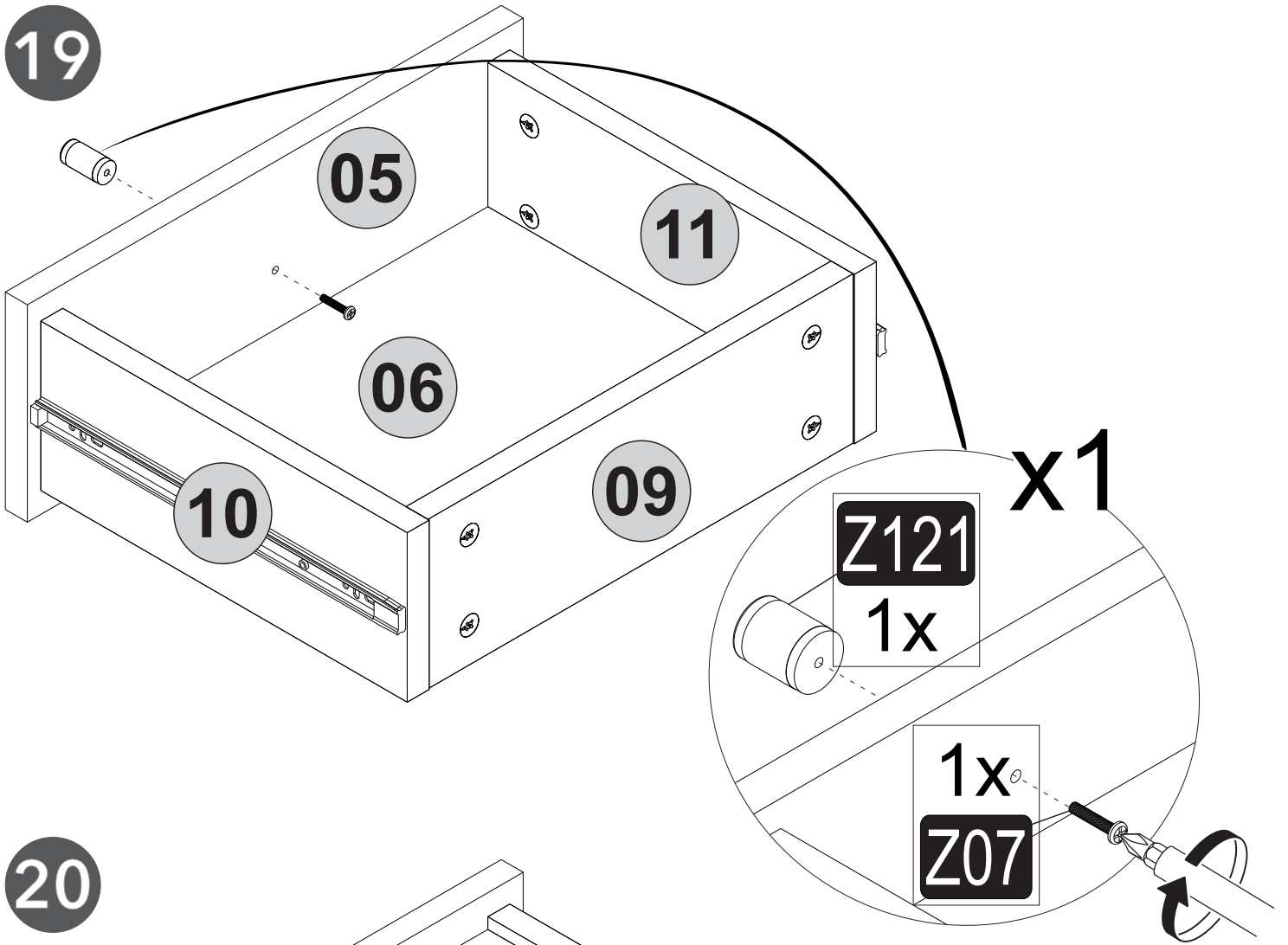


18

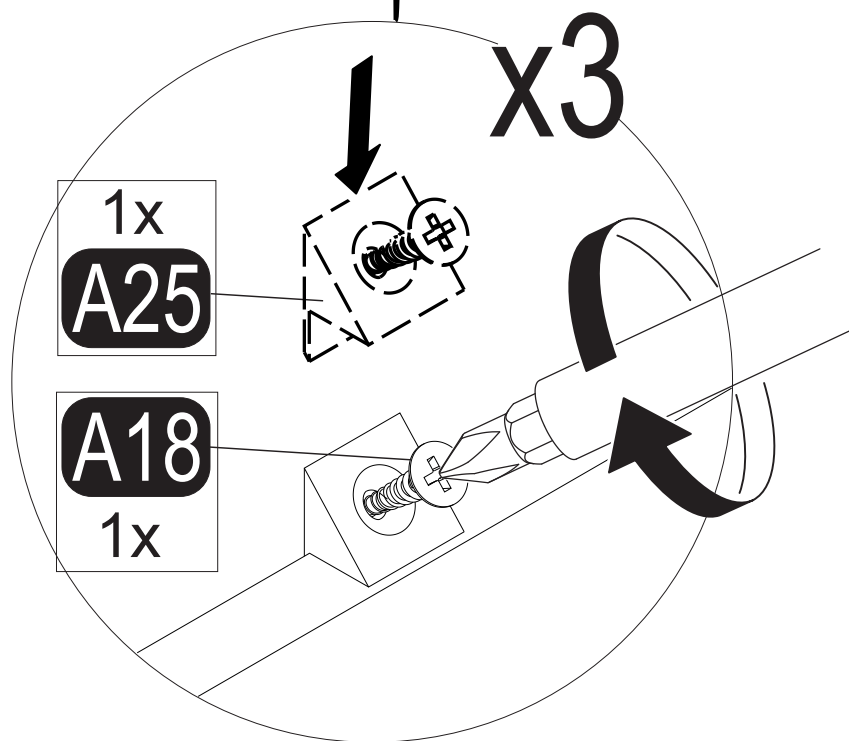
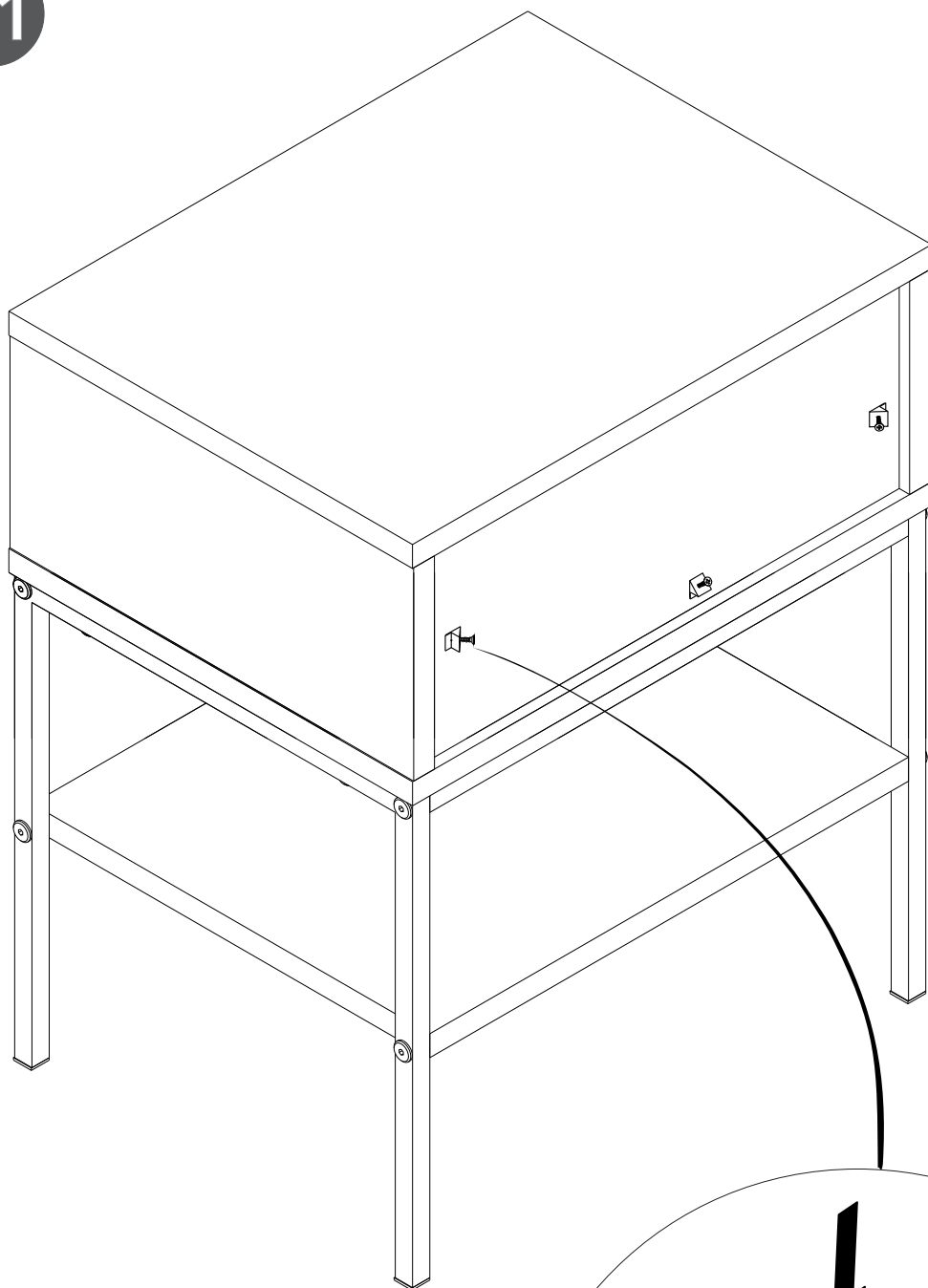


x4





21



22

