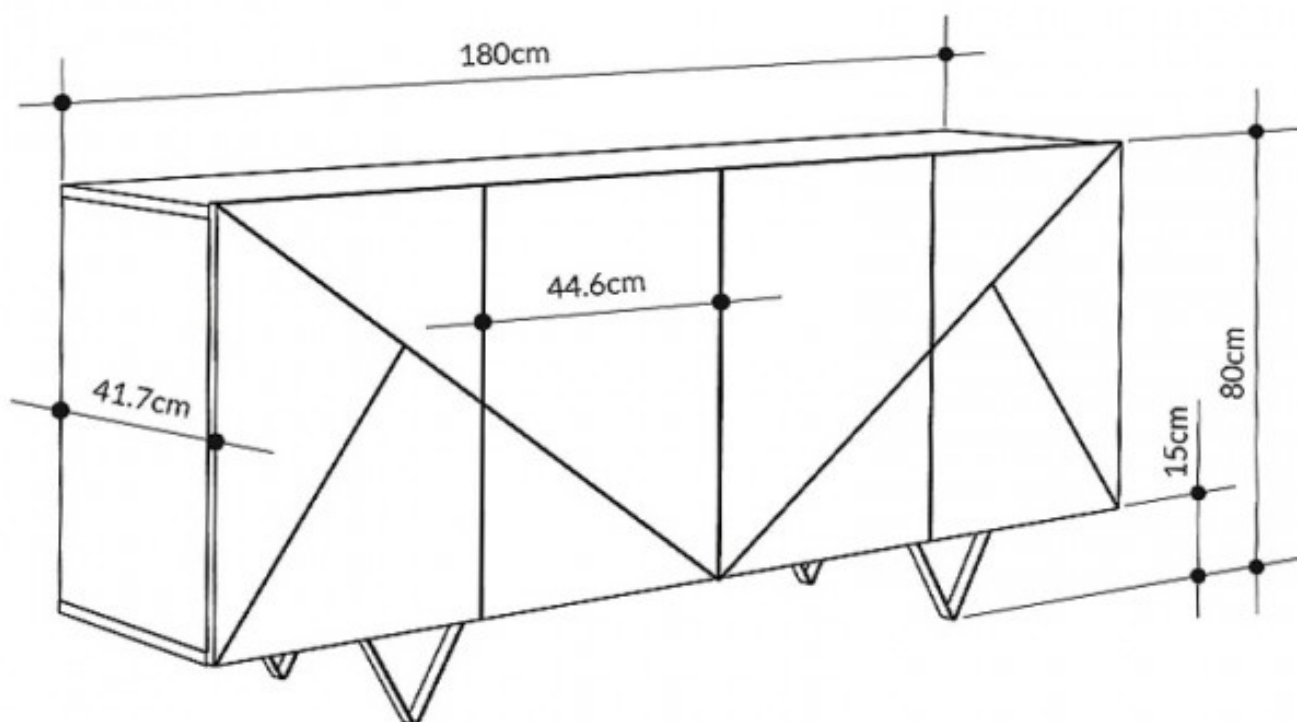
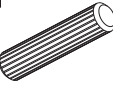

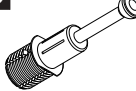

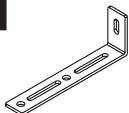
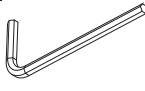
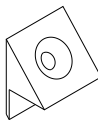



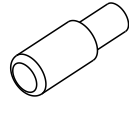
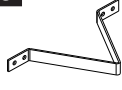
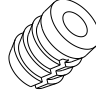


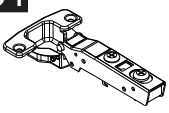
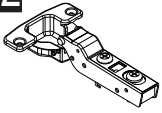
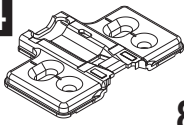
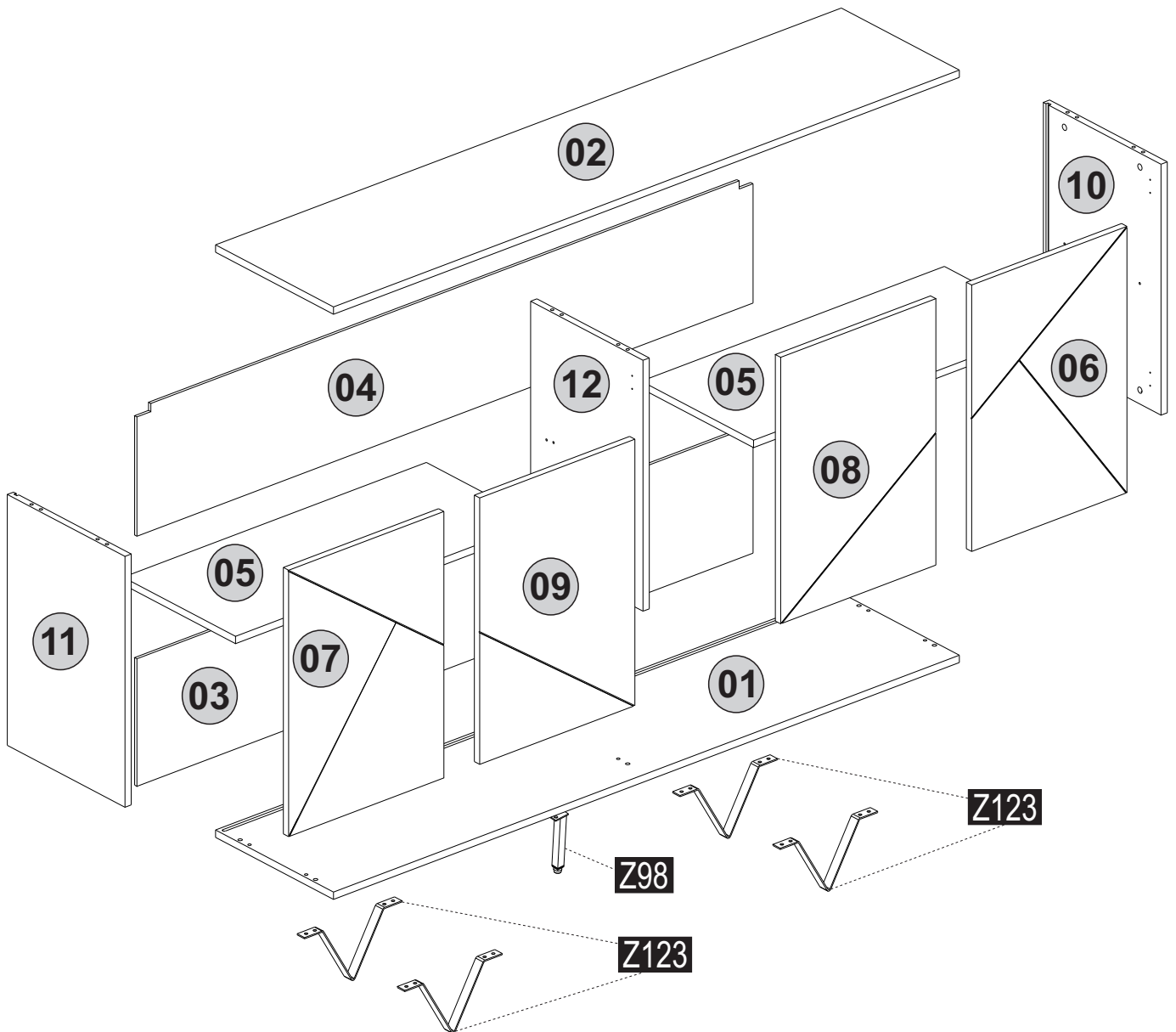


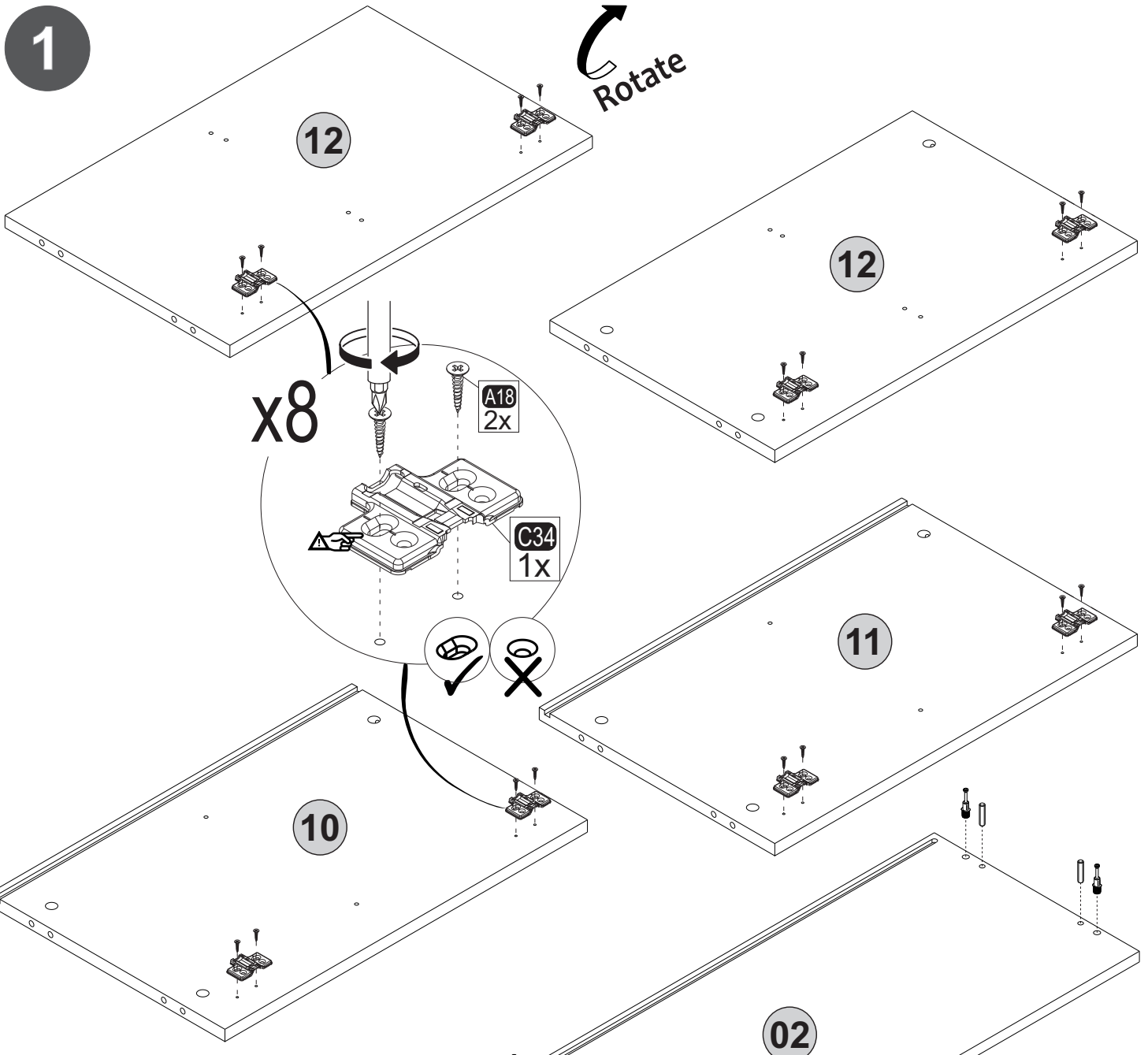
i GP037-0242,1



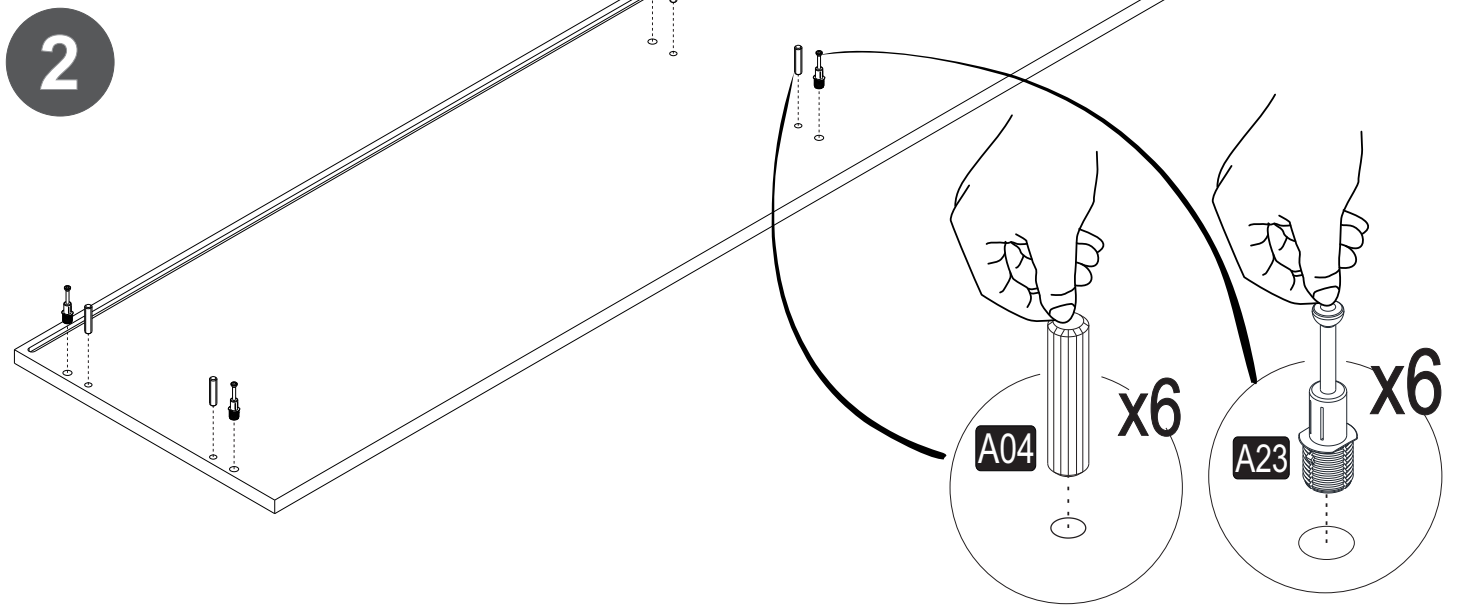
A04 Ø8x30  12x	A22 Minifix k18  12x	A23 Minifix M10  12x	A06 18mm  C1-12x	A87 15x90x30  2x
A12 Allen  1x	A25 ARK.PL  6x	A16 DbØ8  2x	A17 4X50  2x	A18 3,5x18  58x
A48 Raf Pimi  8x	Z123 usa  4x	A69 P.D.  19x	B15 15 (black)mm  19x	Z98 AMA 150mm  1x
C31 DM  4x	C32 YM  4x	C34 MA  8x		



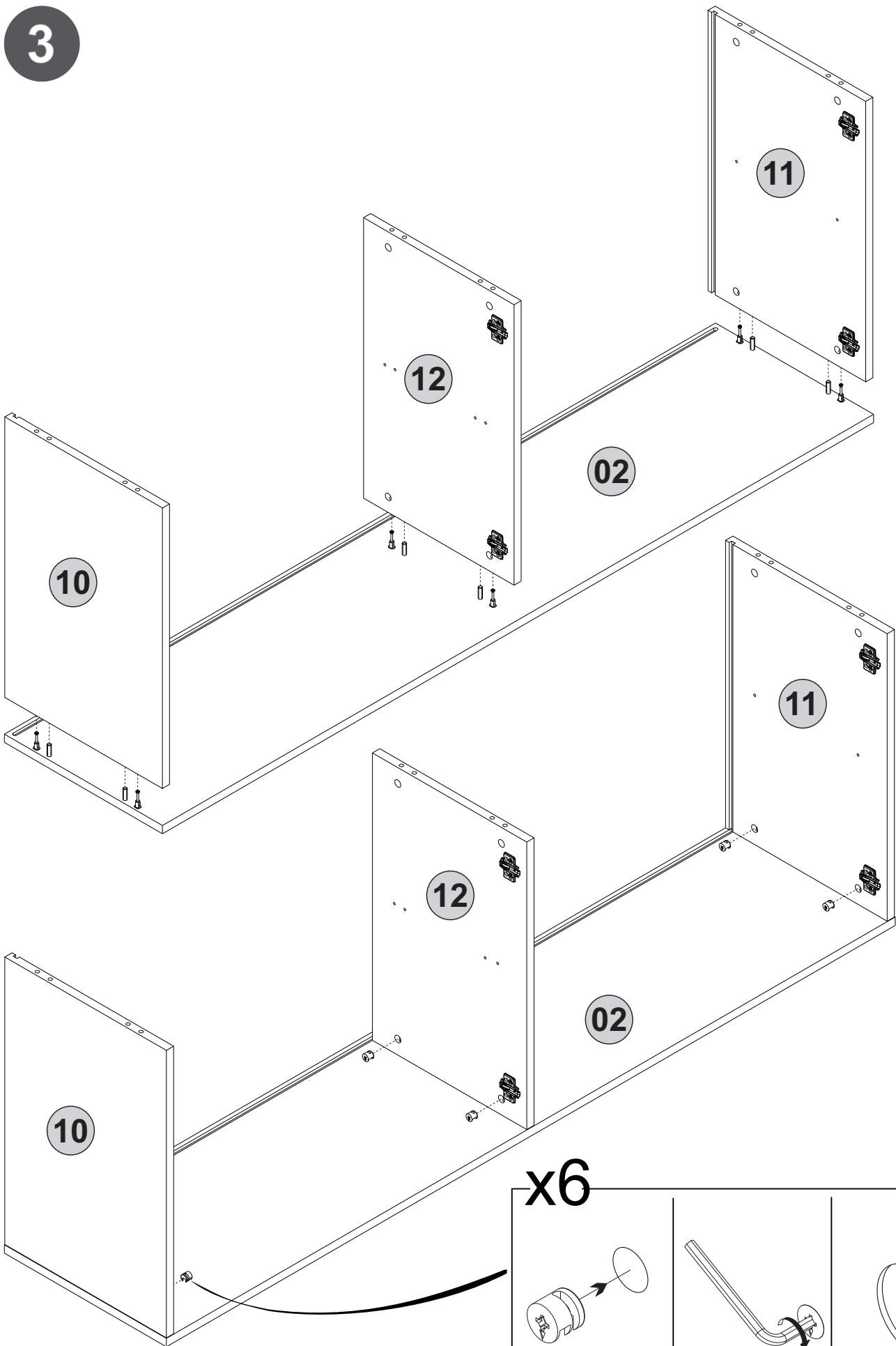
1



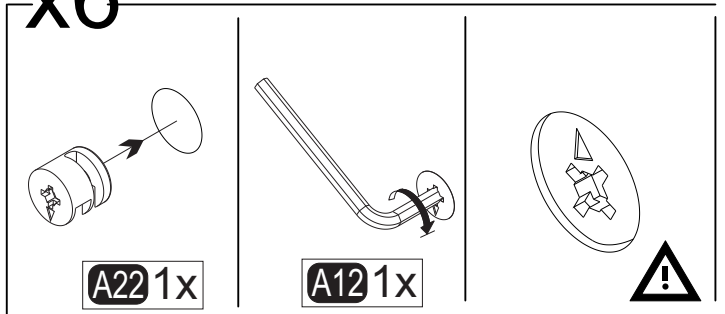
2



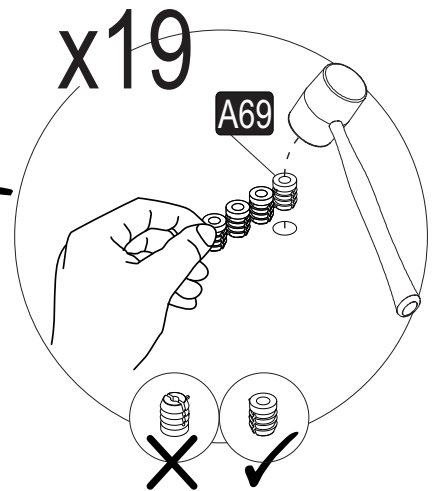
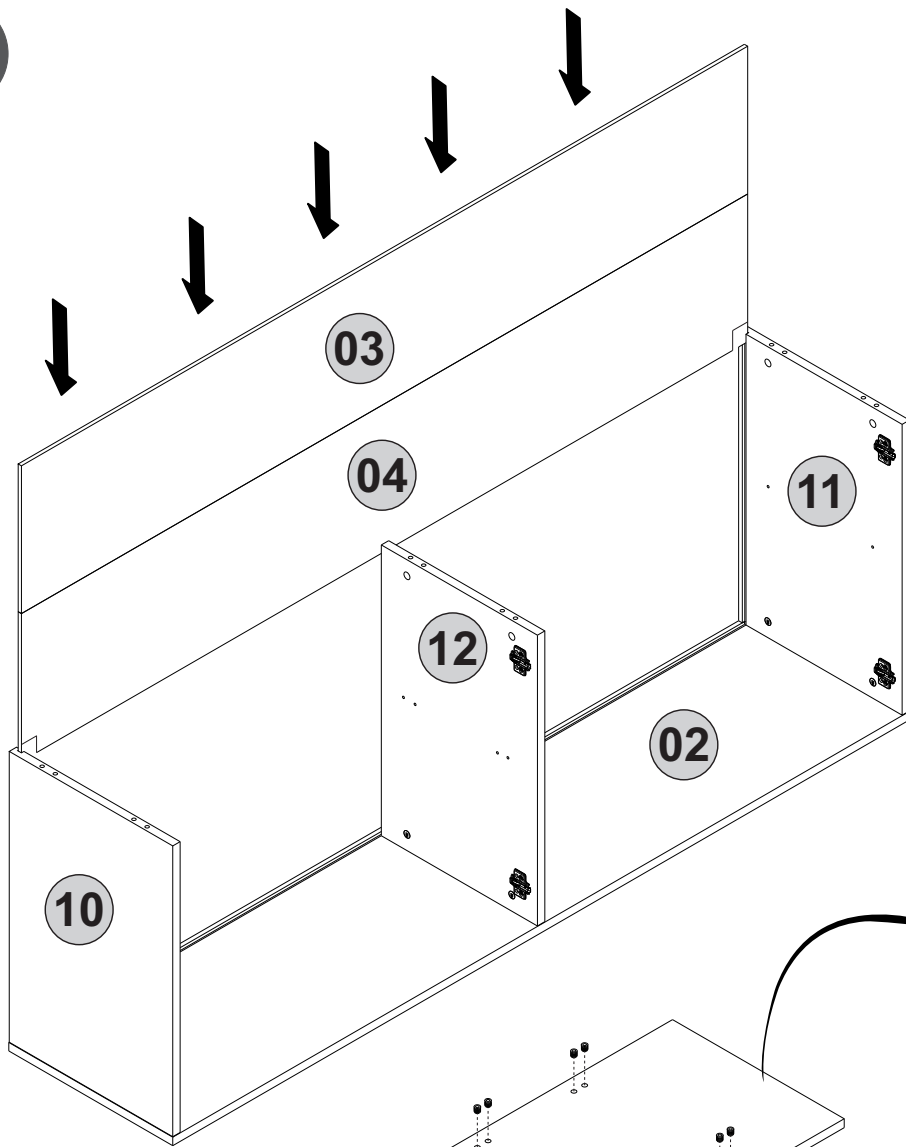
3



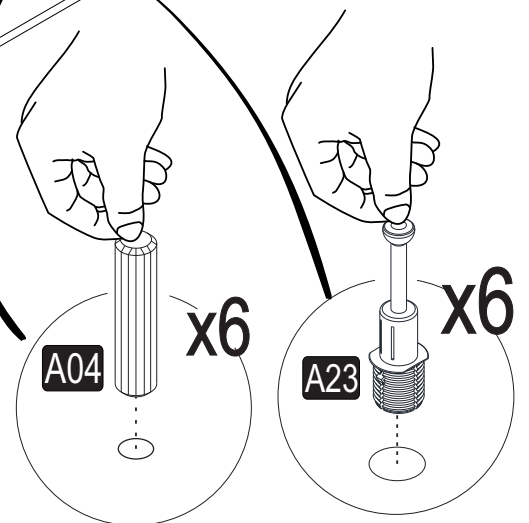
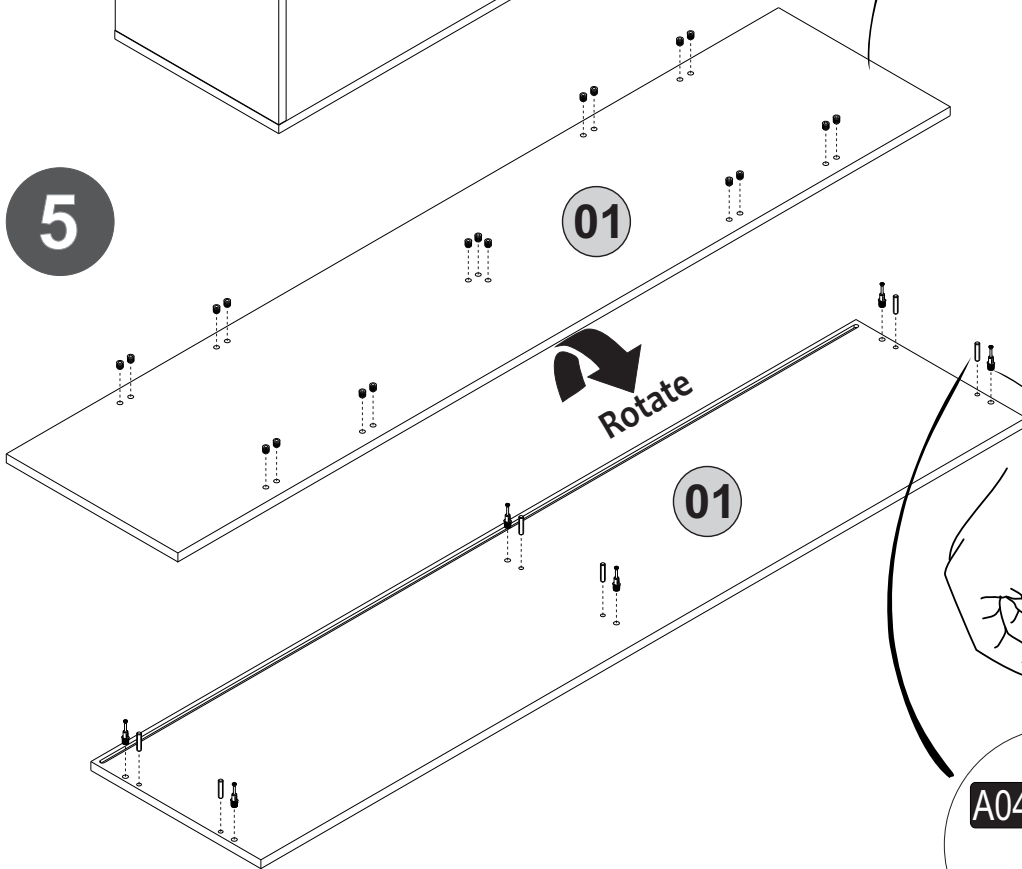
x6



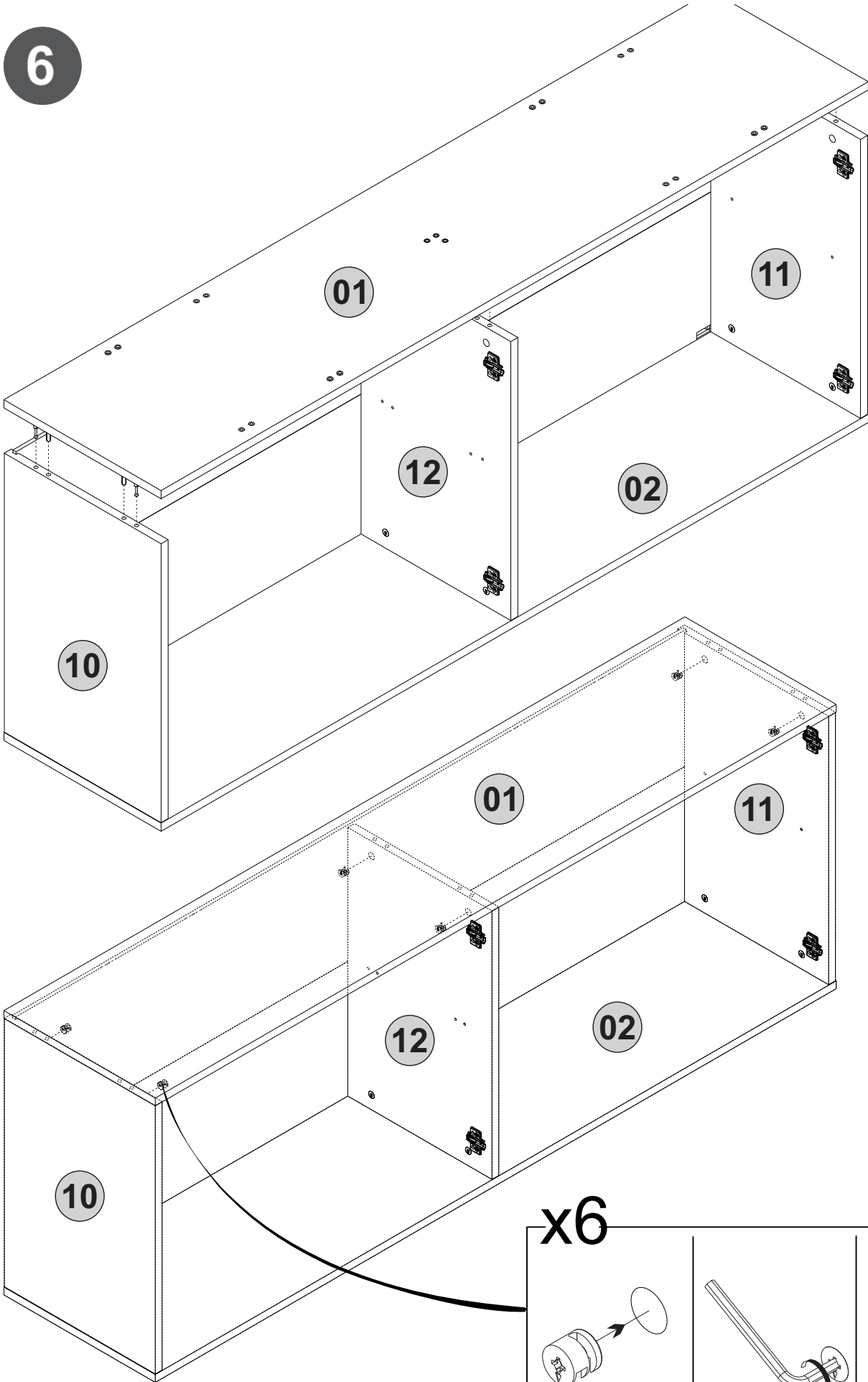
4



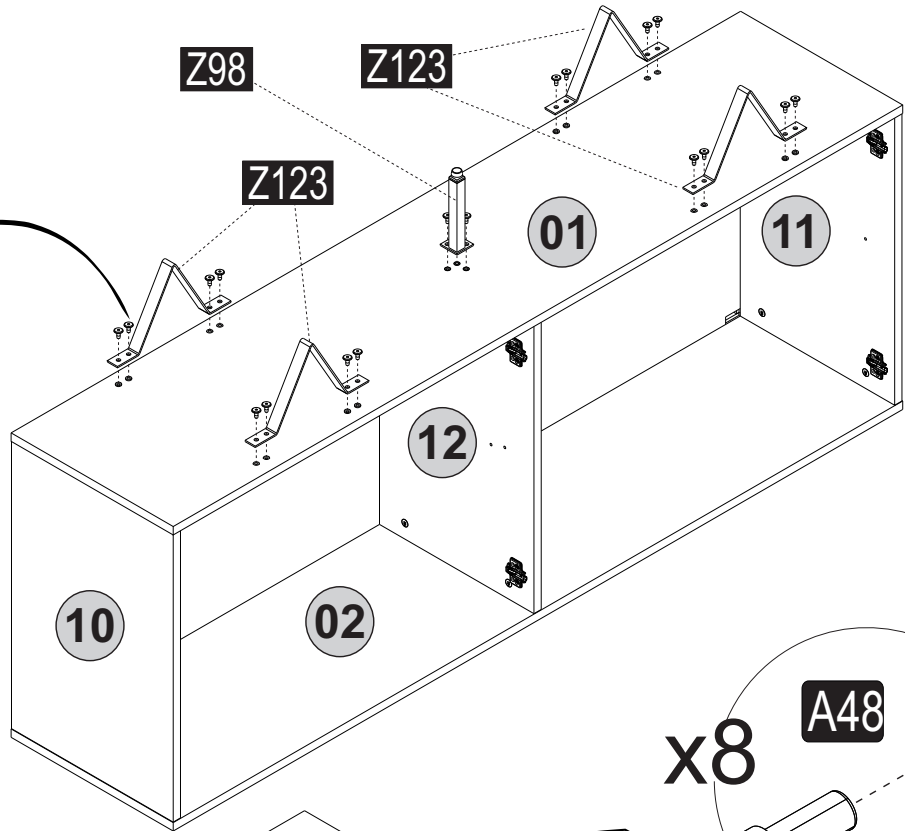
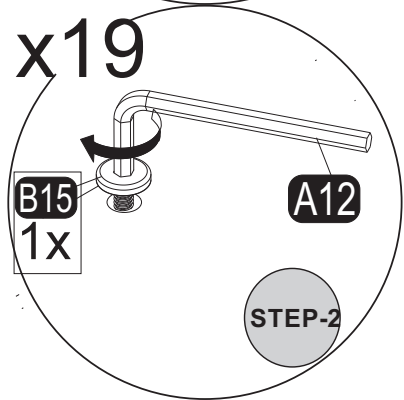
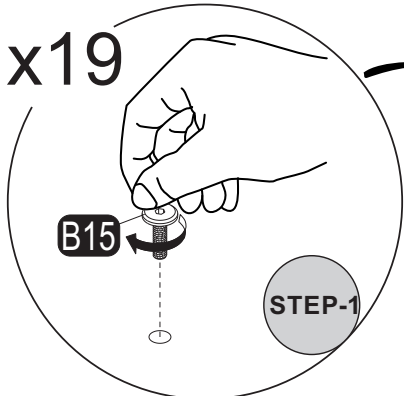
5



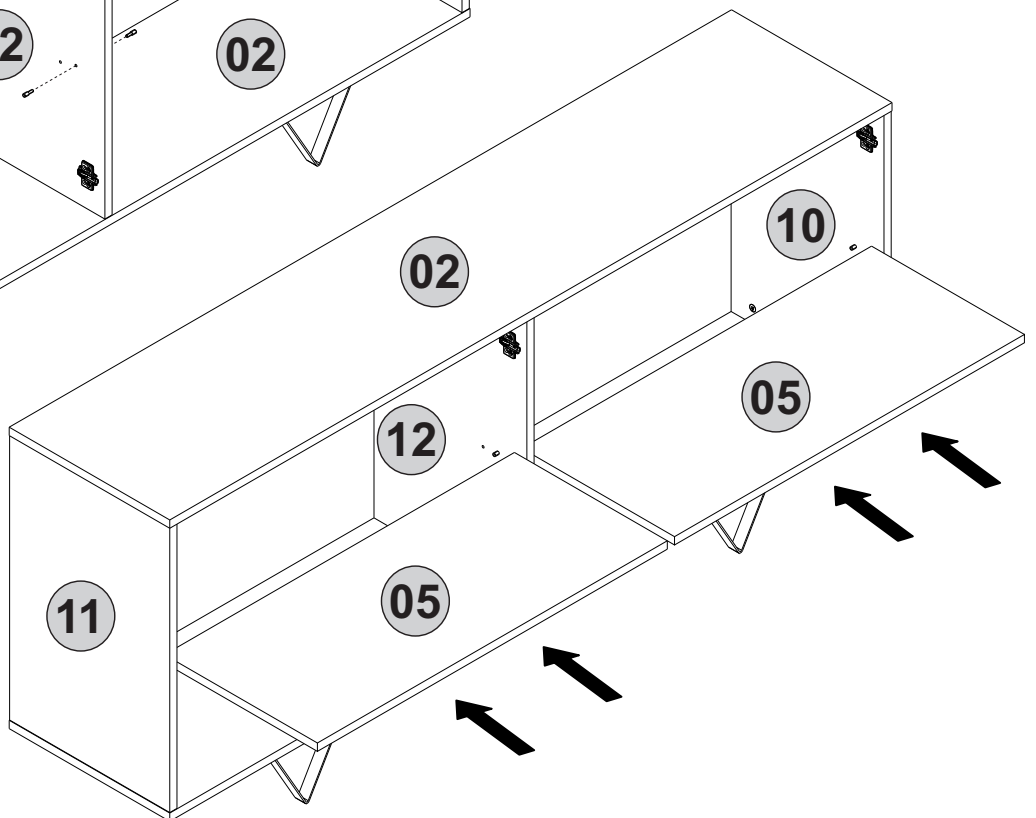
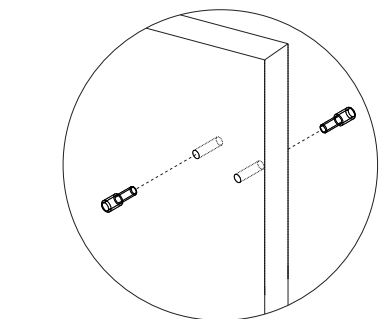
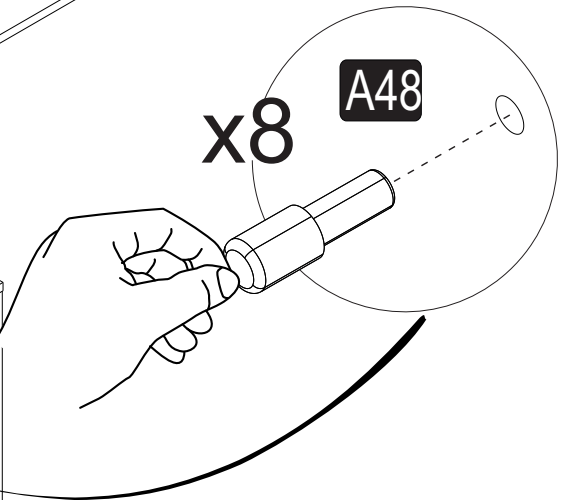
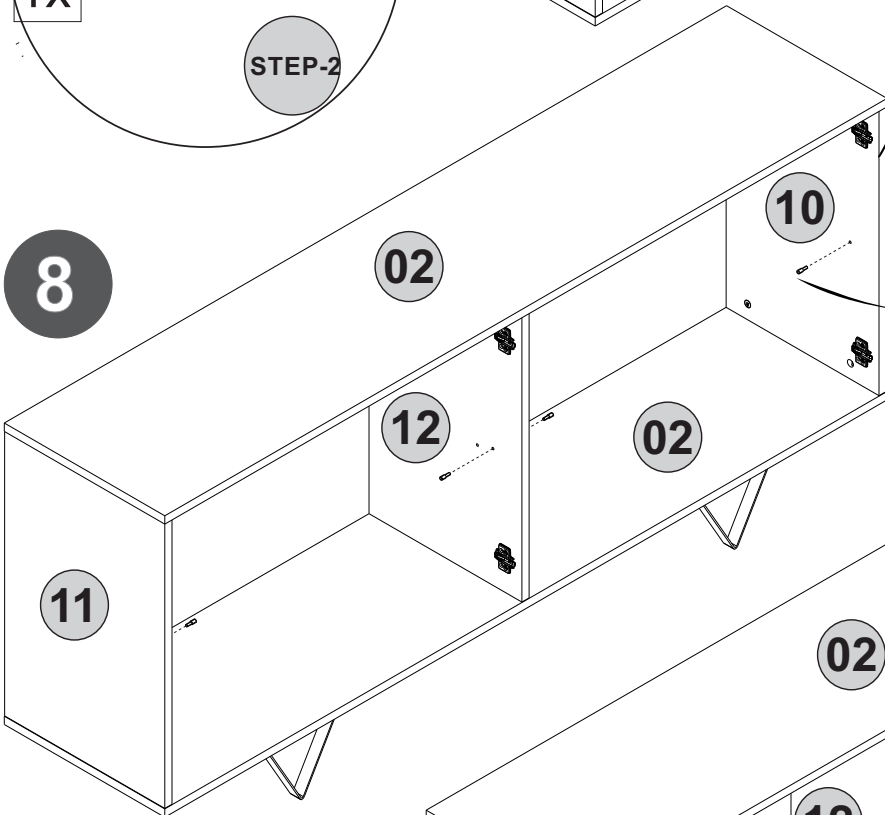
6



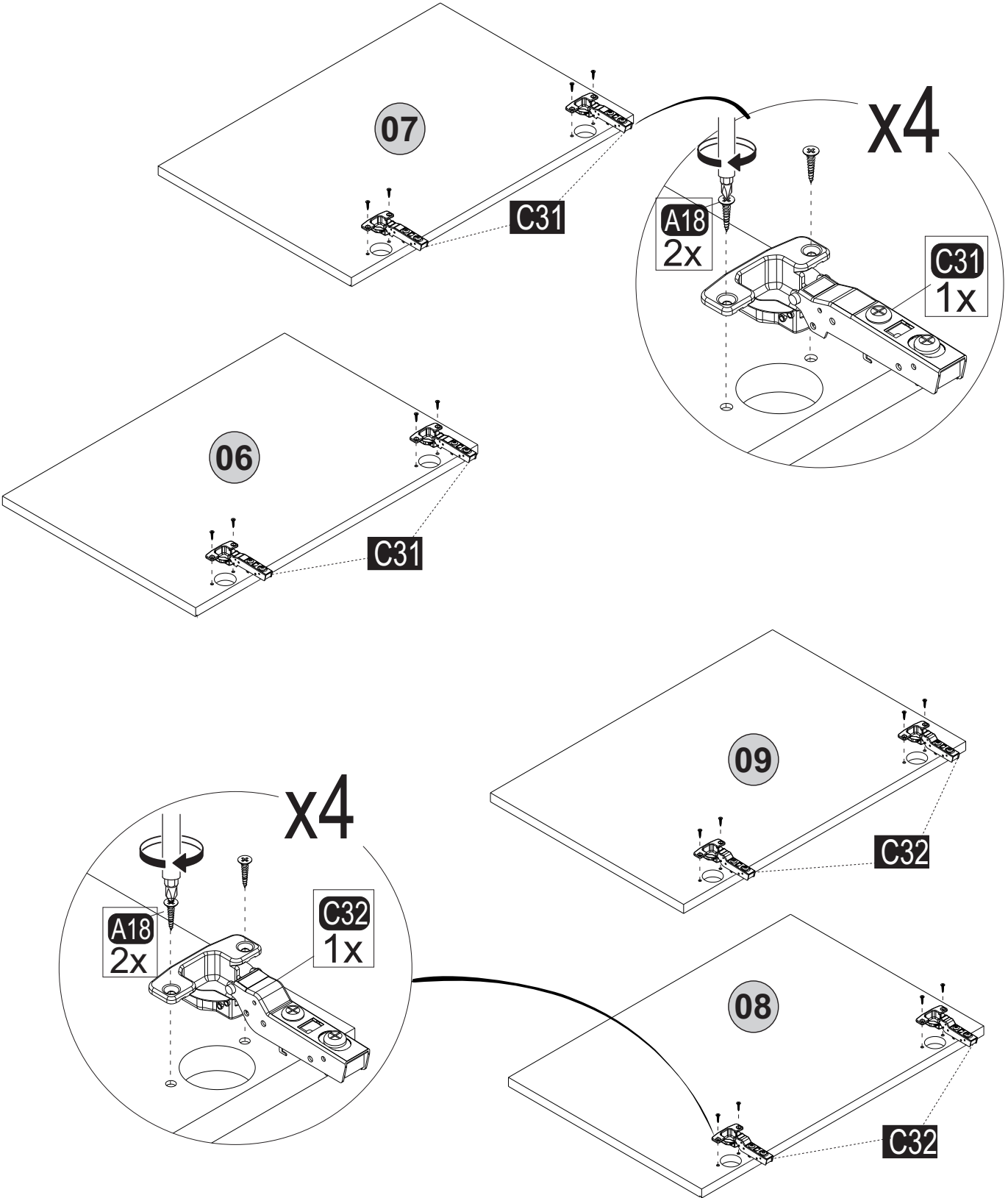
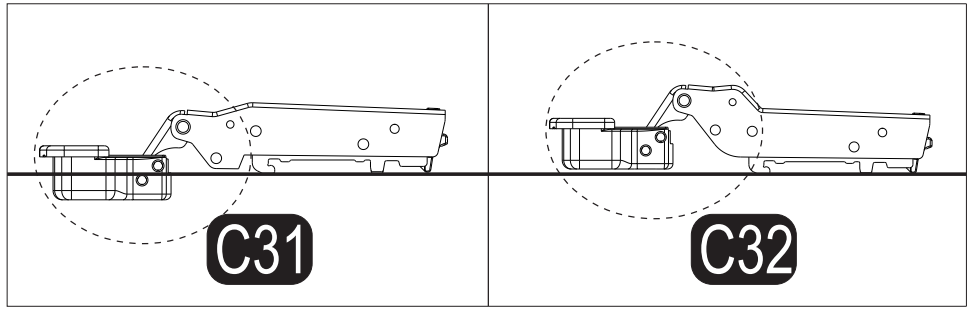
7



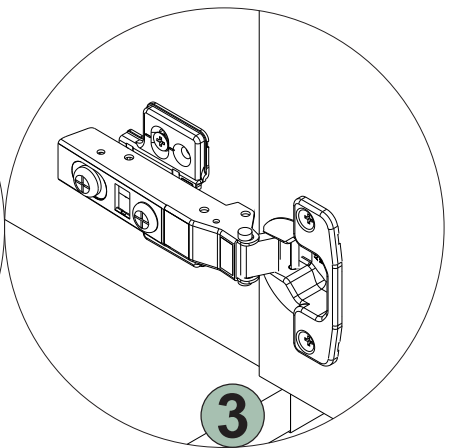
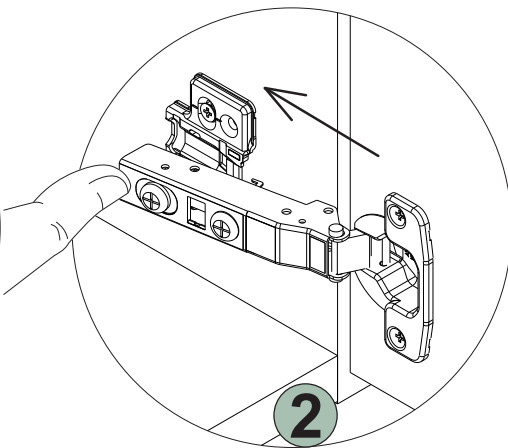
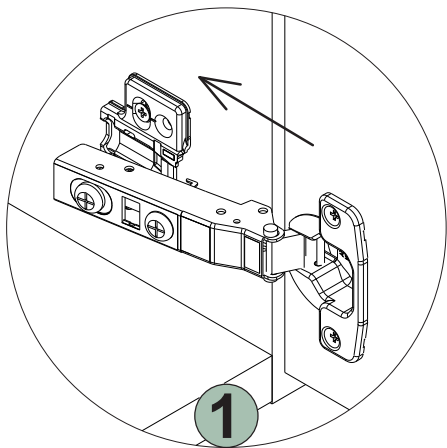
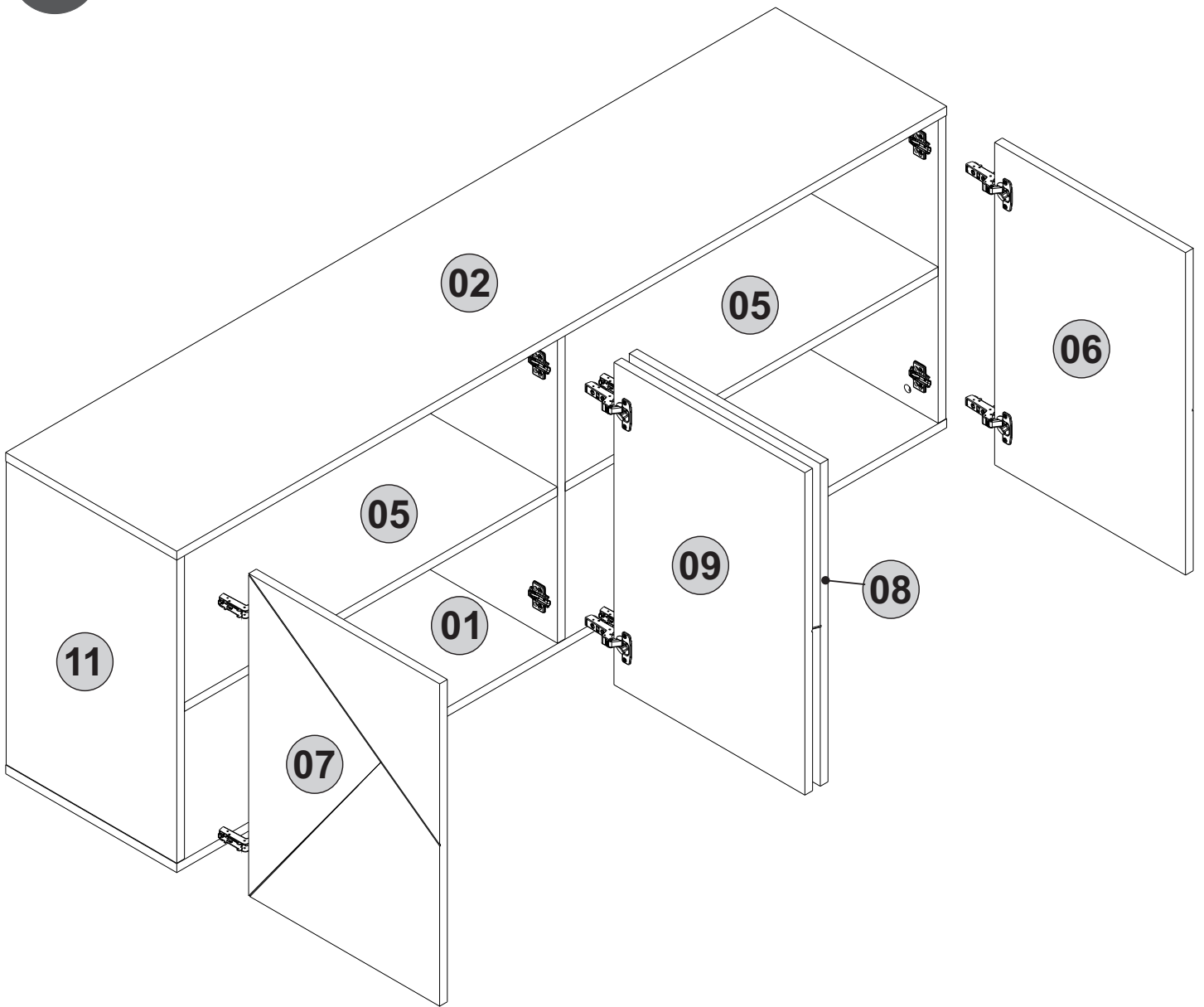
8



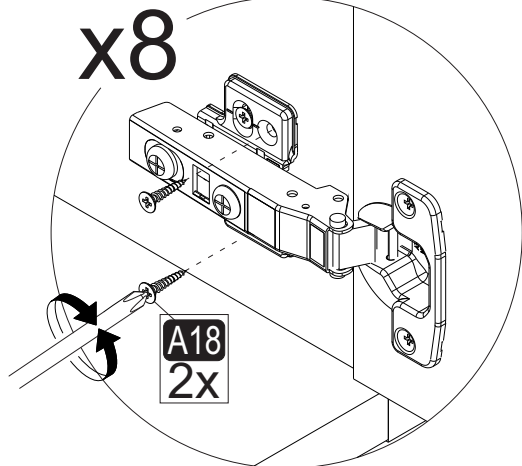
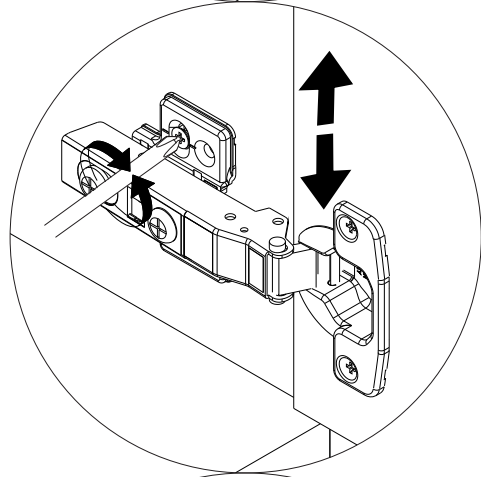
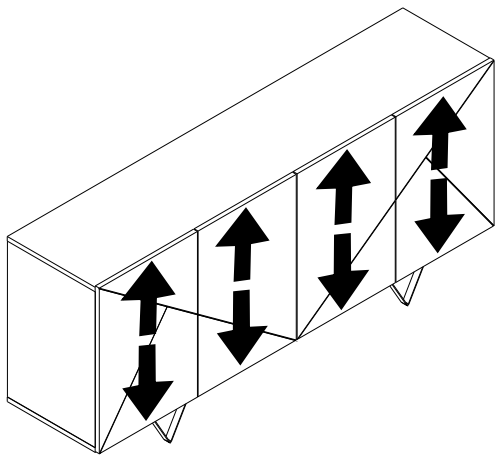
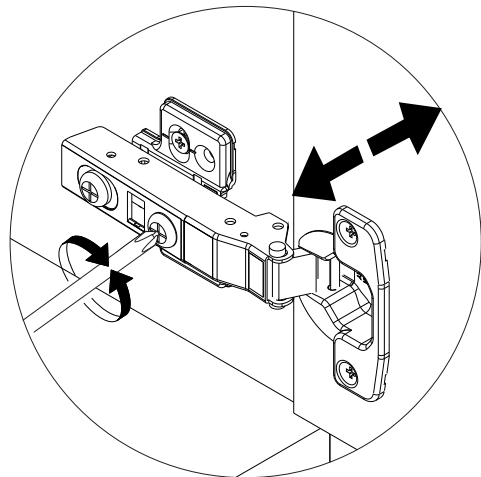
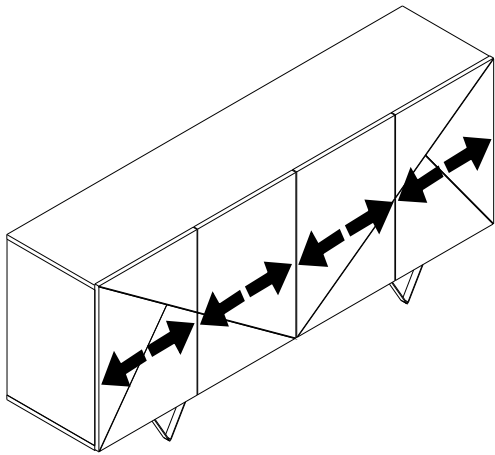
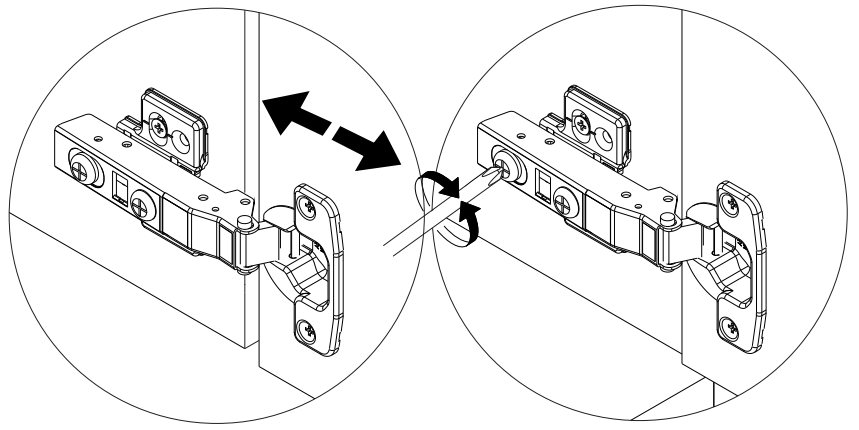
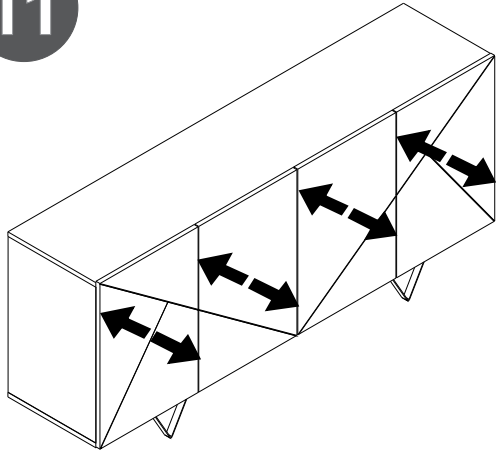
9



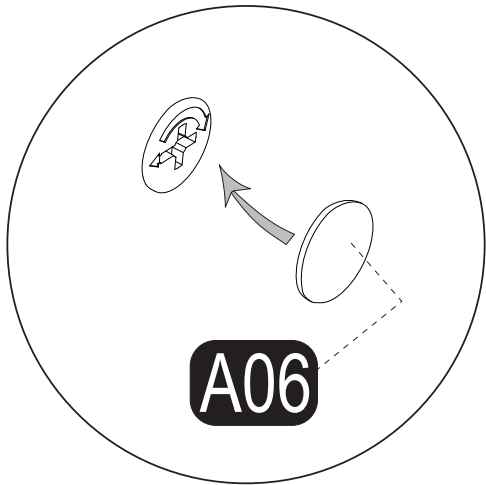
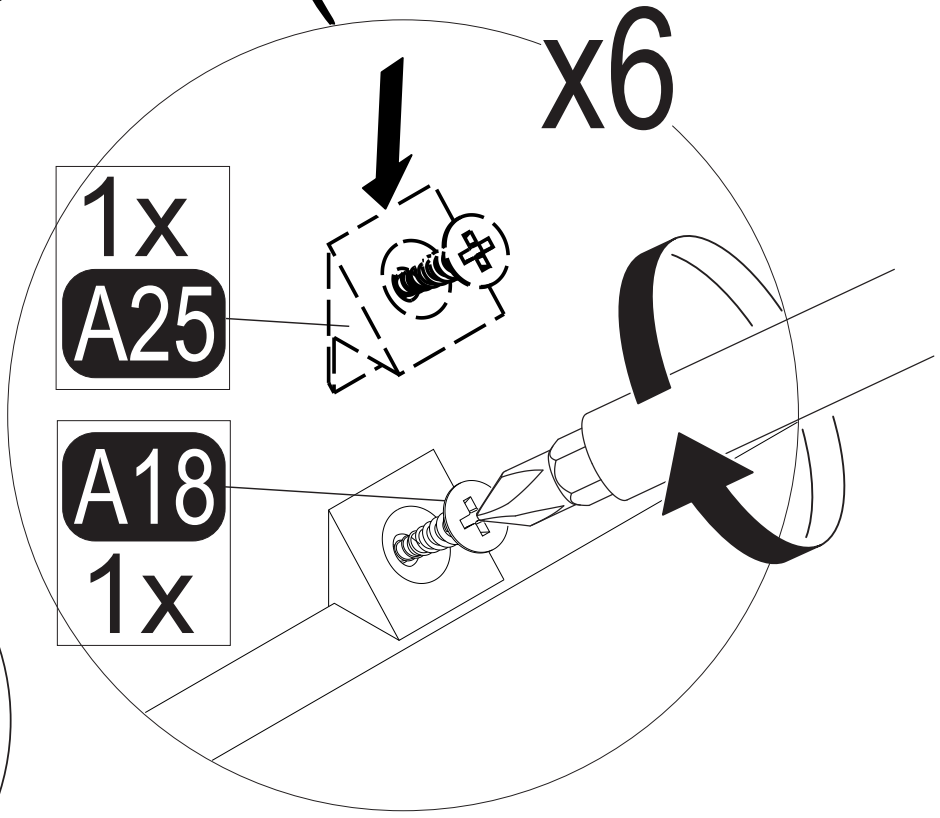
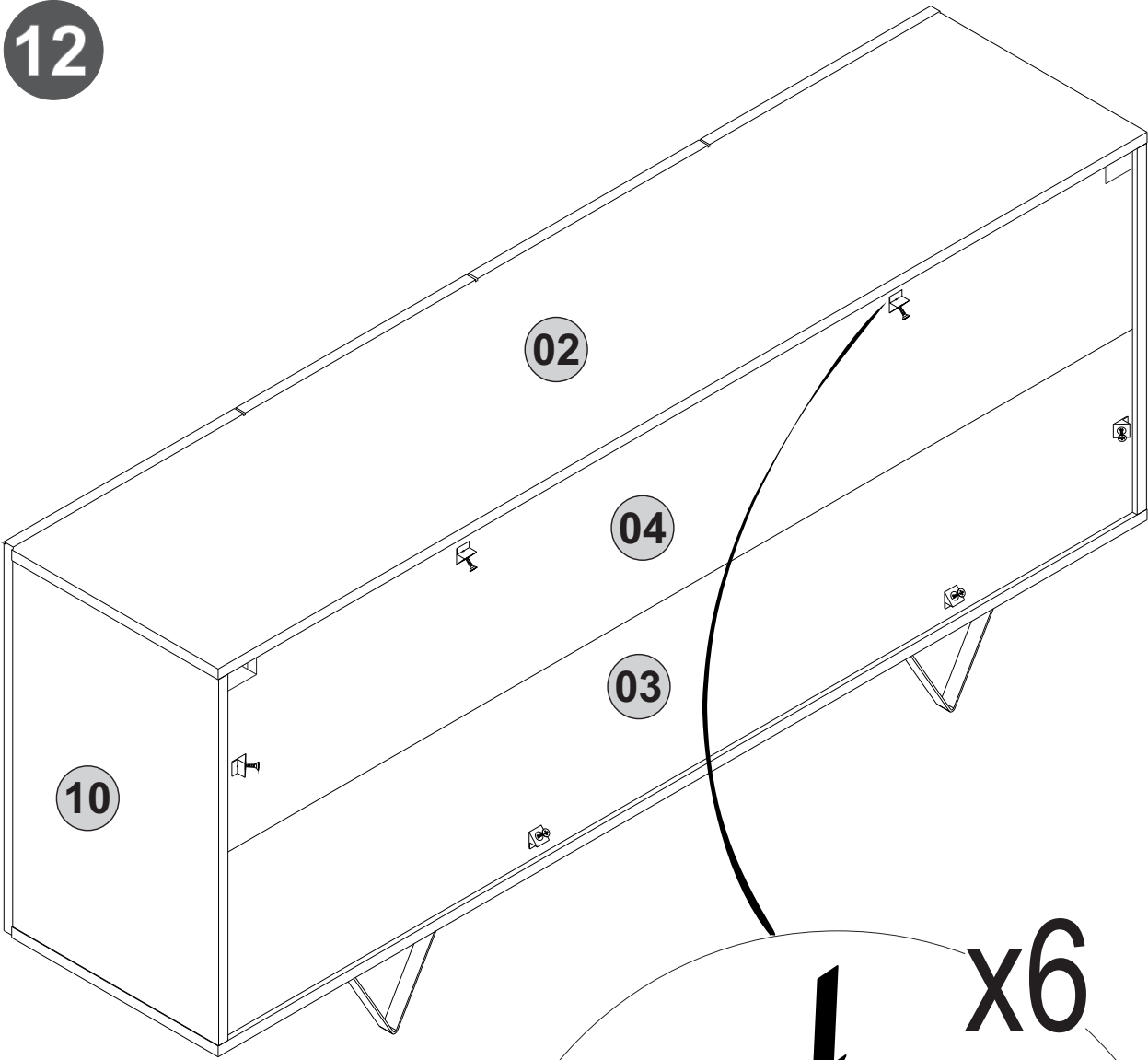
10



11



12



13

