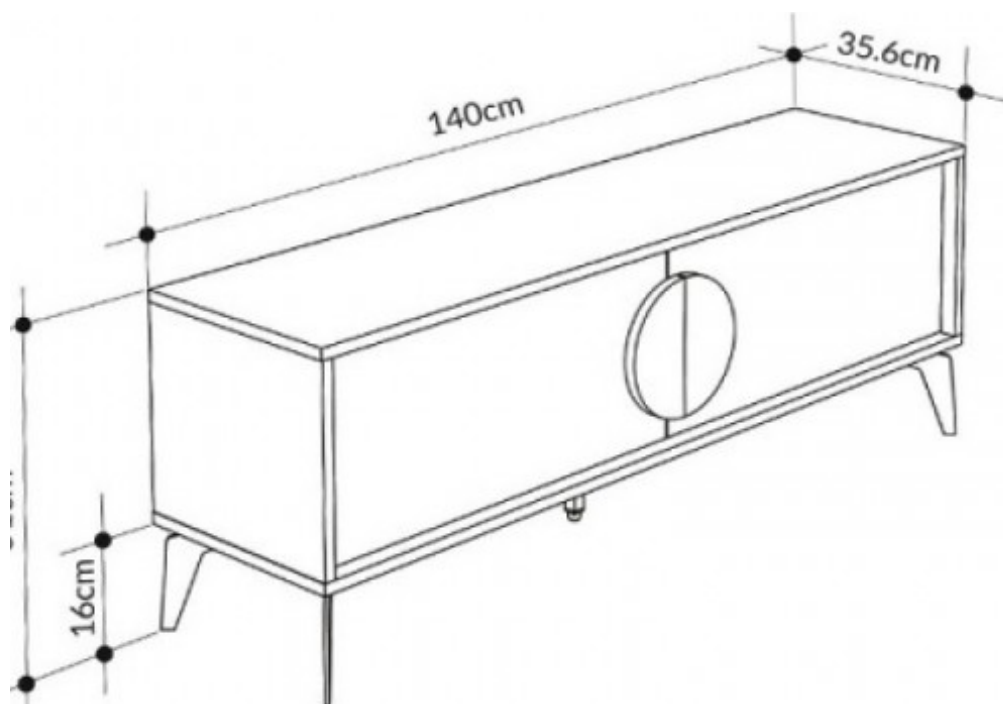




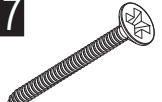

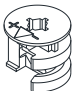
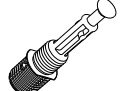
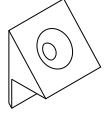



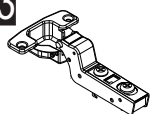
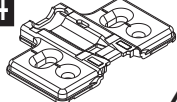

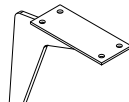


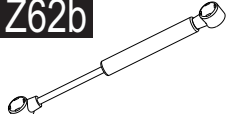

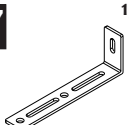
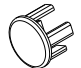
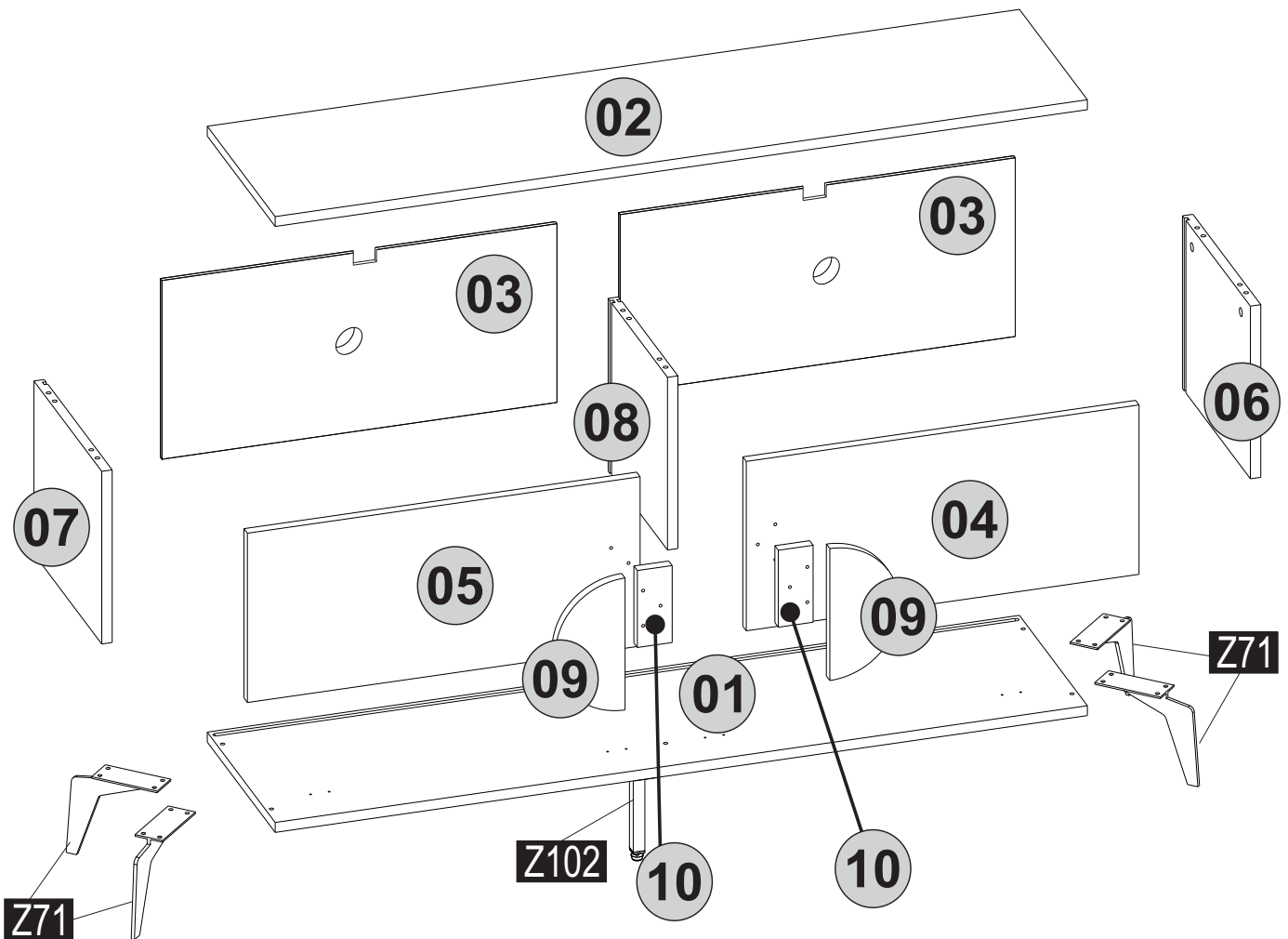


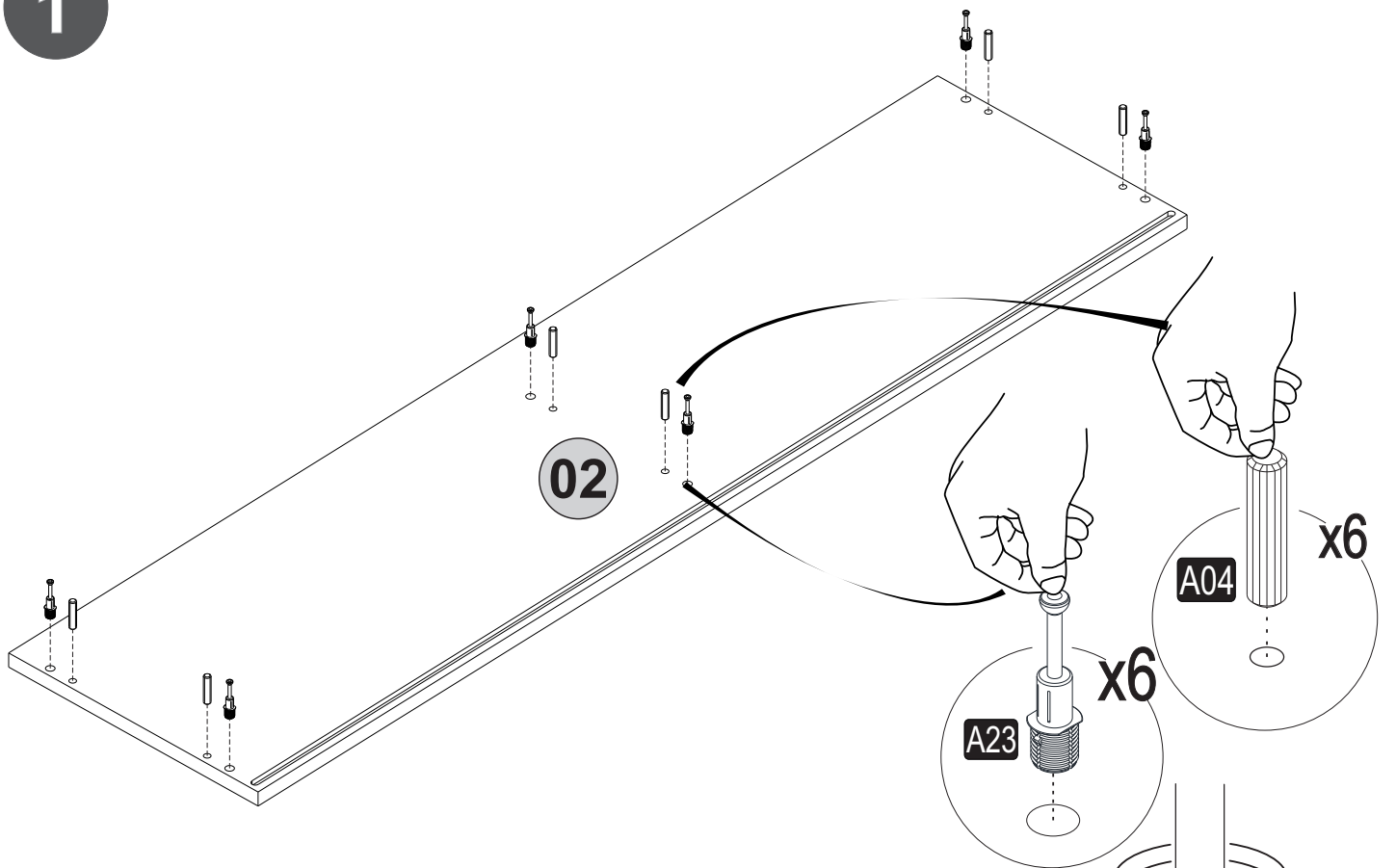
i GP037-0249,1



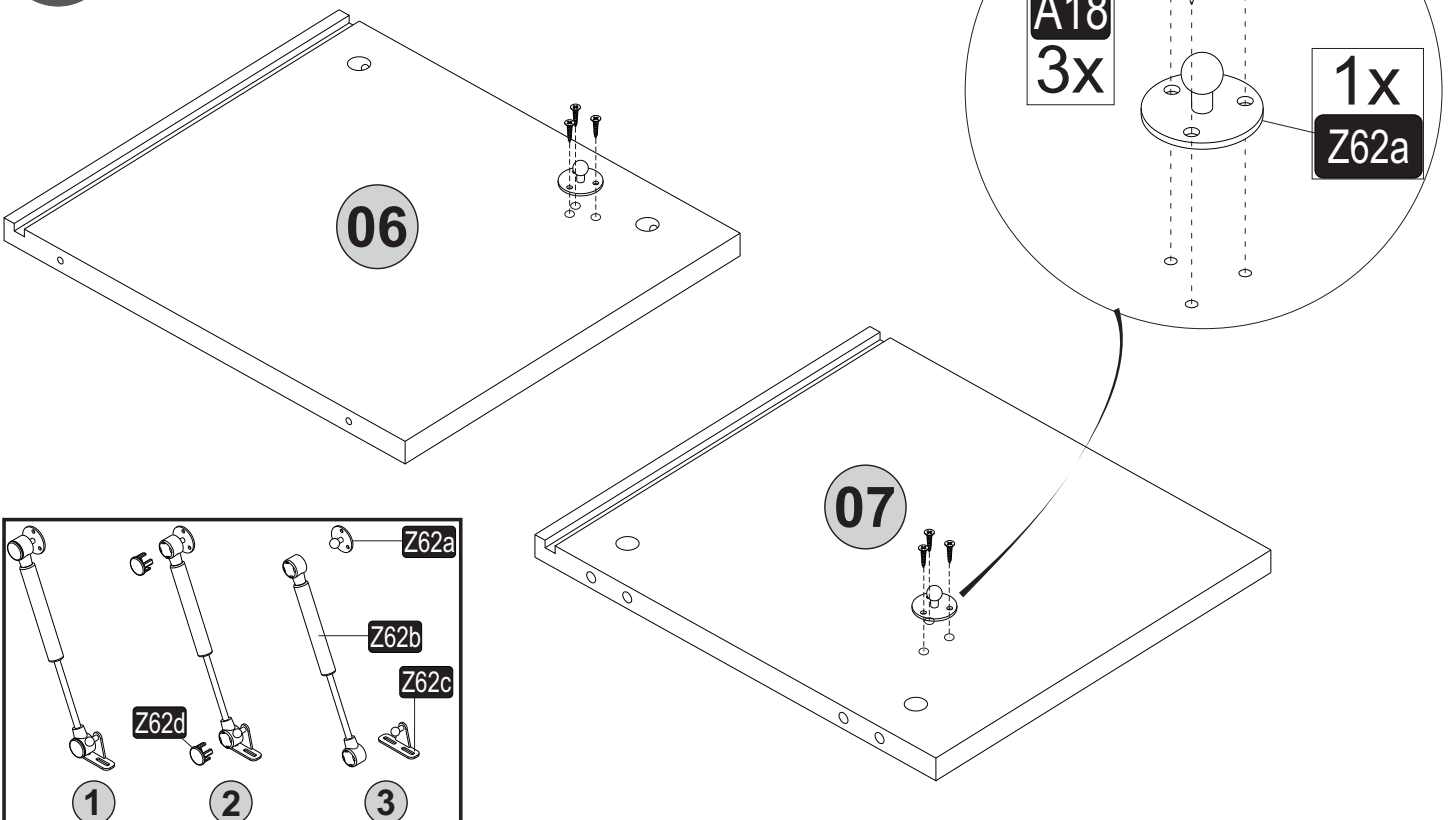
A04  Ø8 6x	A06  18mm C1-12x C2-6x 6x	A12  Allen 1x	A13  50mm 6x	A17  4x50 8x
A18  3,5x18 50x	A22  Minifix k18 6x	A23  Minifix M10 6x	A25  ARK.PL 12x	A69  P.D. 19x
A75  5x13 6x	B15  15 (black)mm 19x	C33  TM 4x	C34  MA 4x	A16  DbØ8 2x
Z71  LEG 4x	Z102  AMA 160mm 1x	Z62a  DKP 2x	Z62b  DKP 2x	Z62c  DKP 2x
			A87  15x90x30 2x	Z62d  DKP 4x



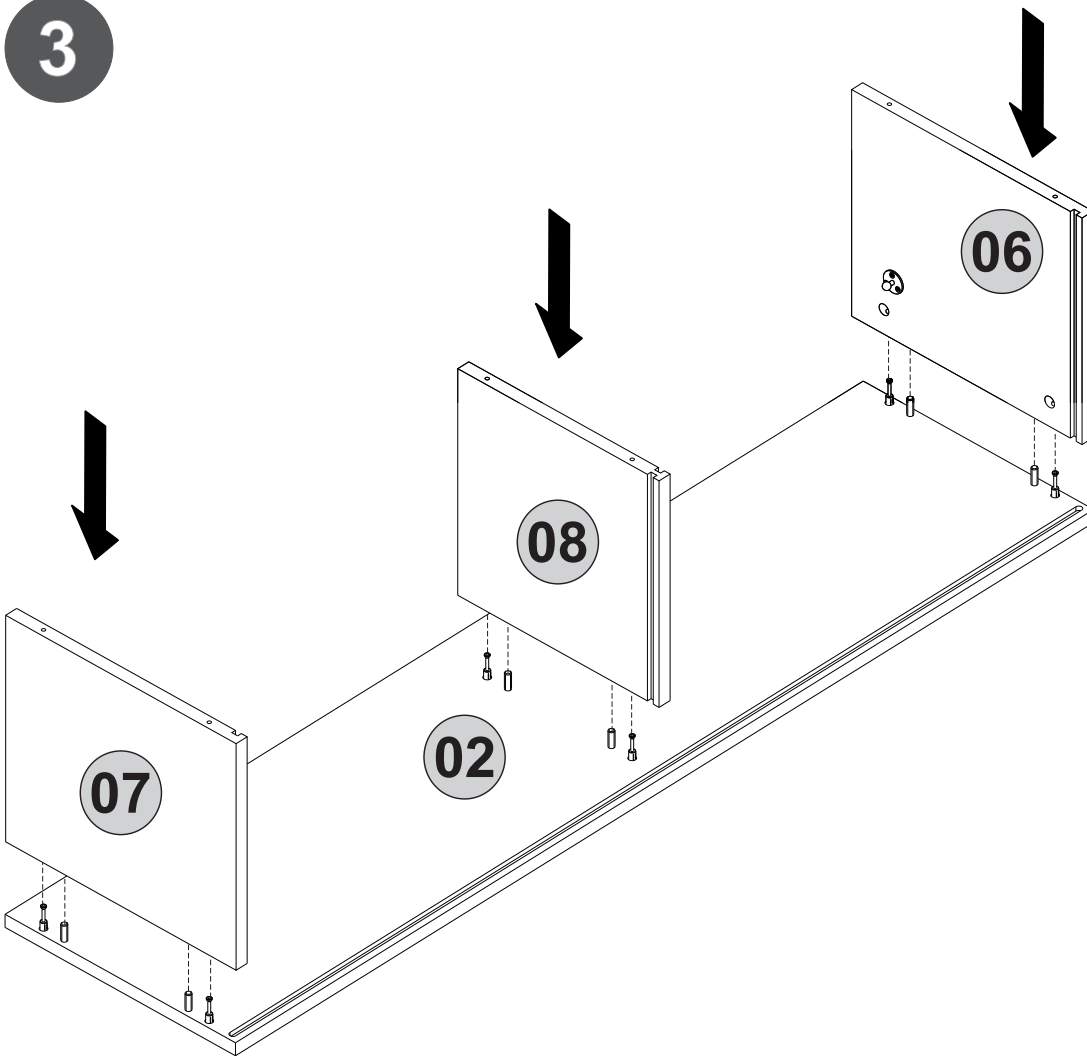
1



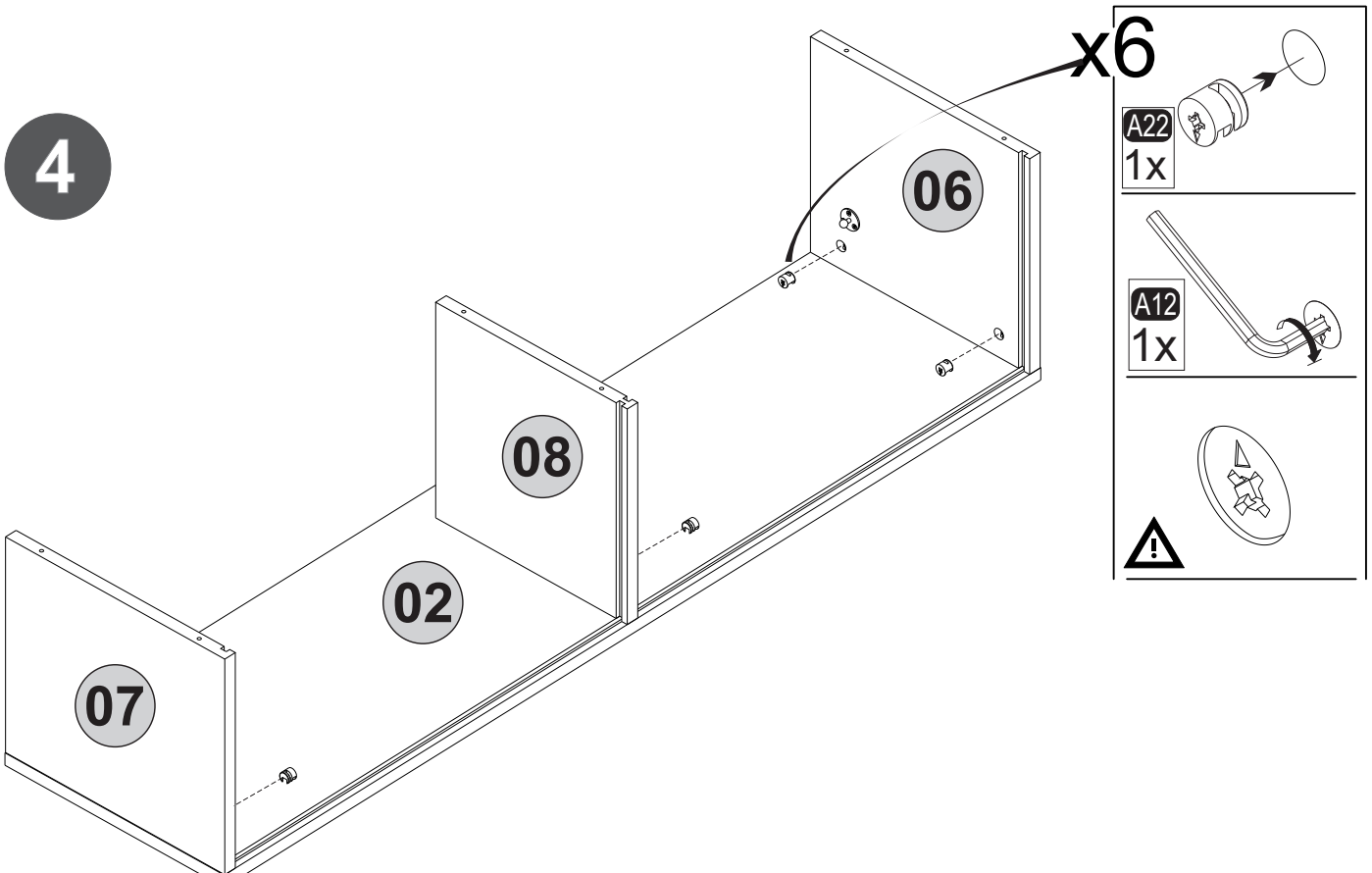
2



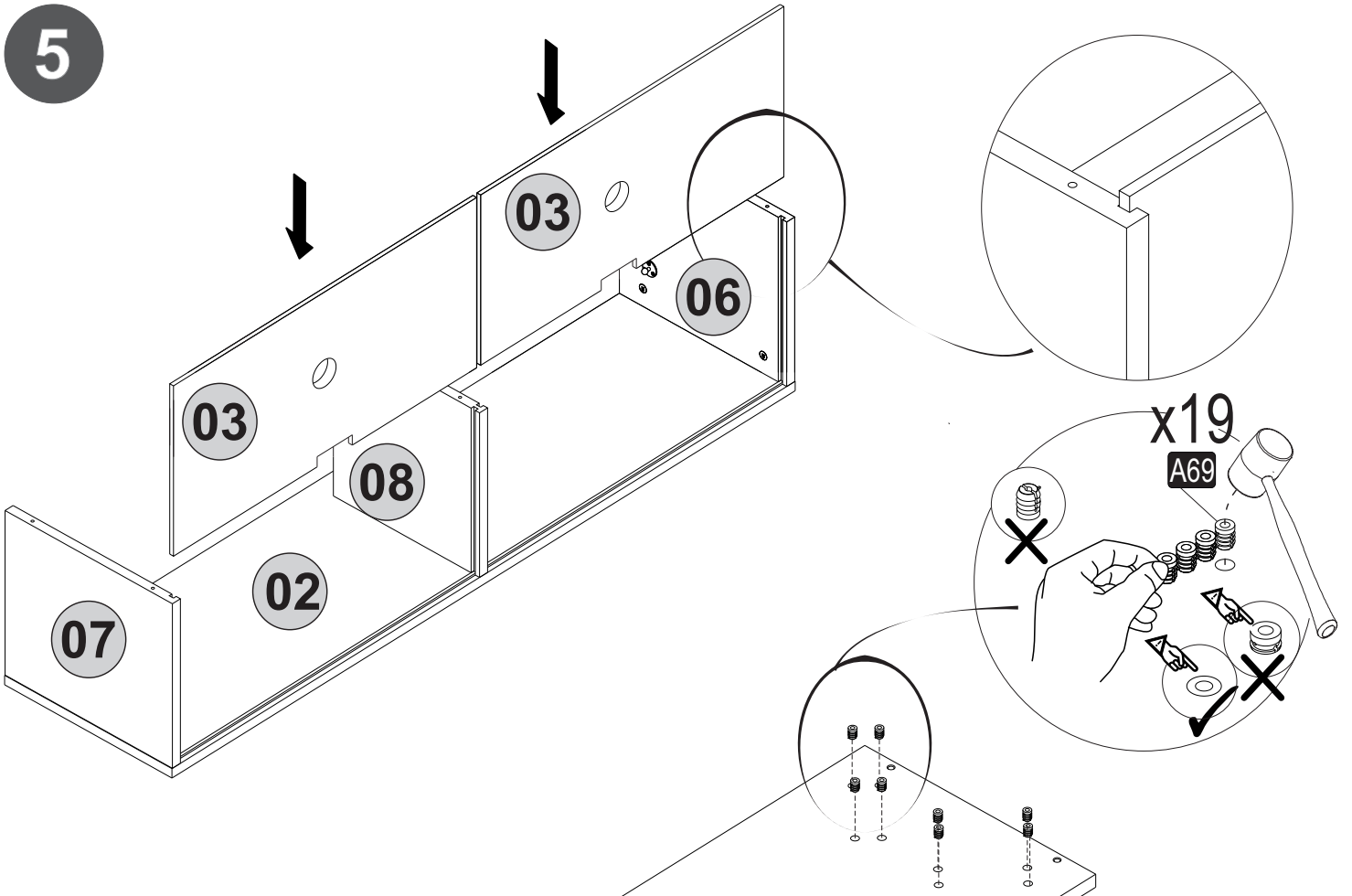
3



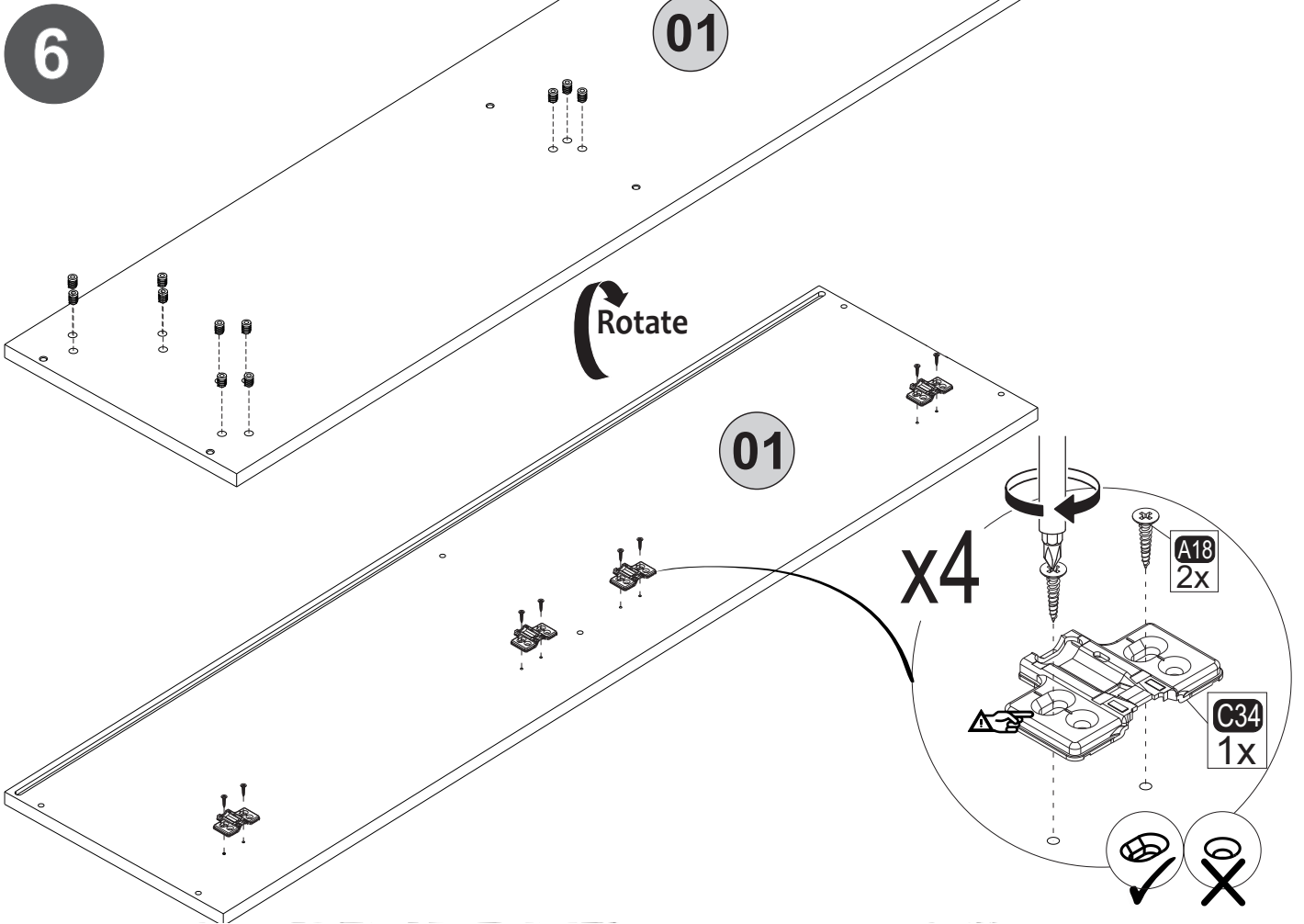
4



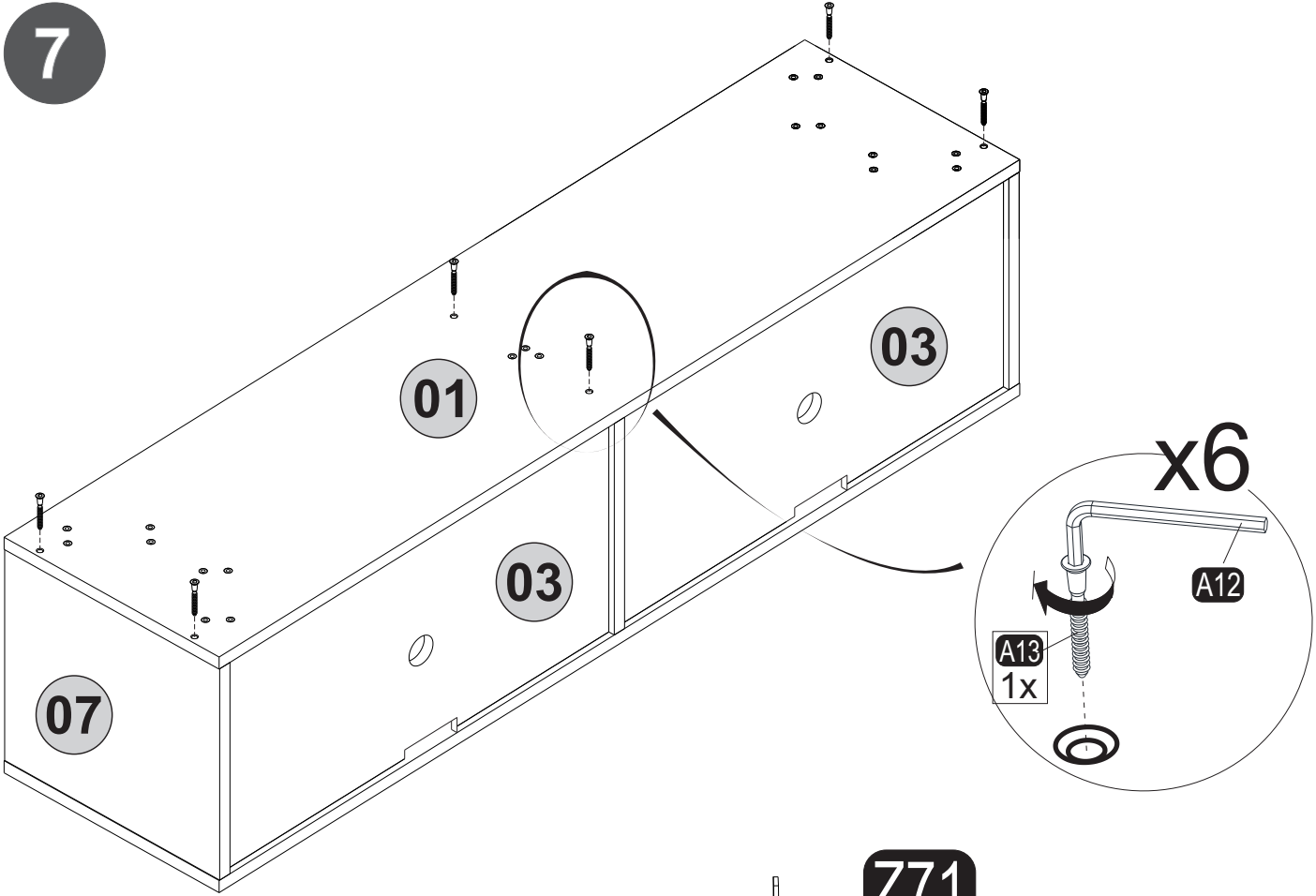
5



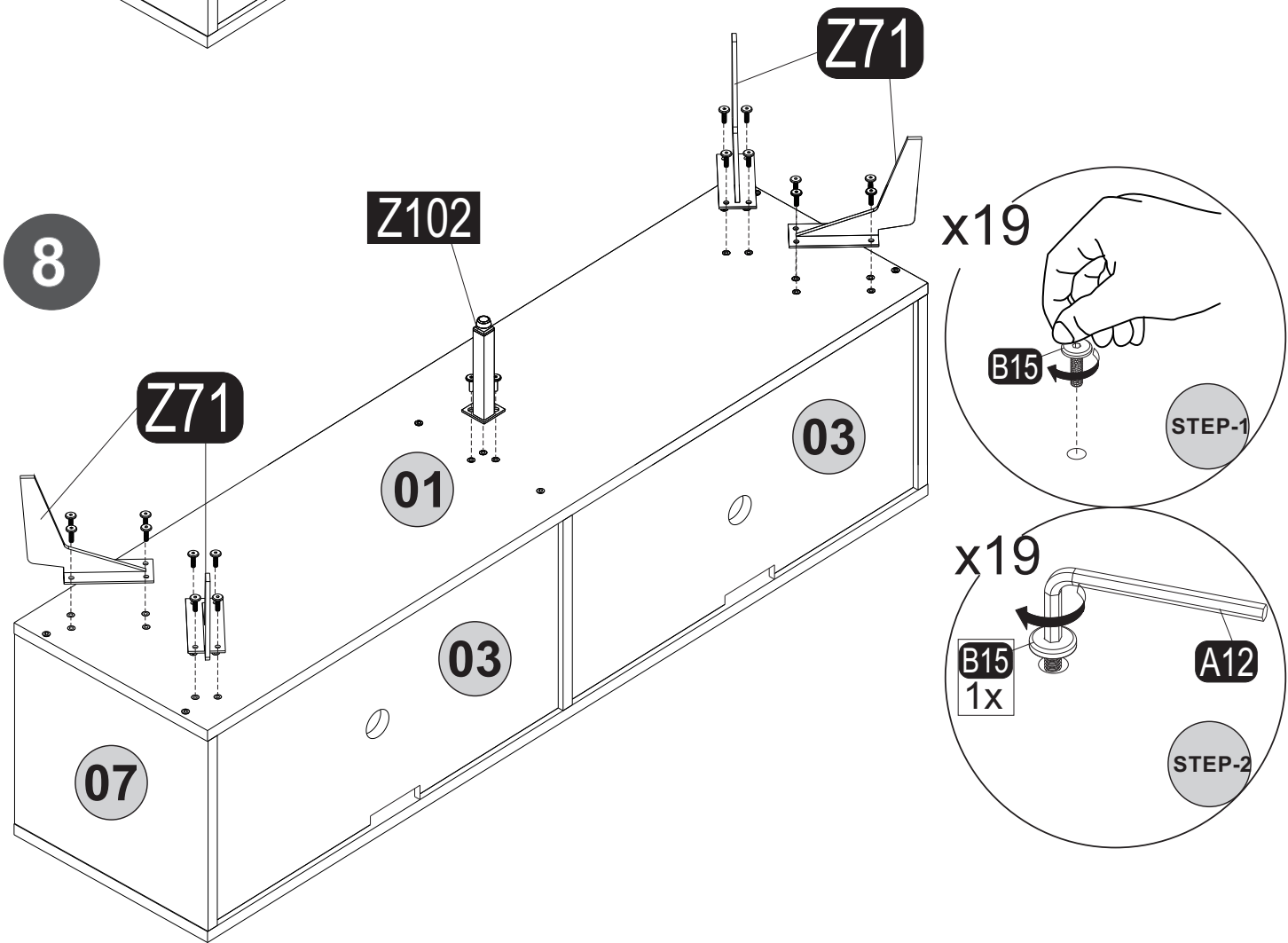
6



7



8

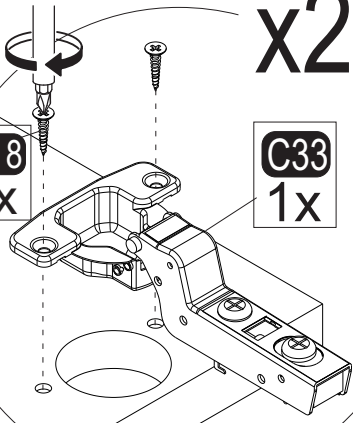


9

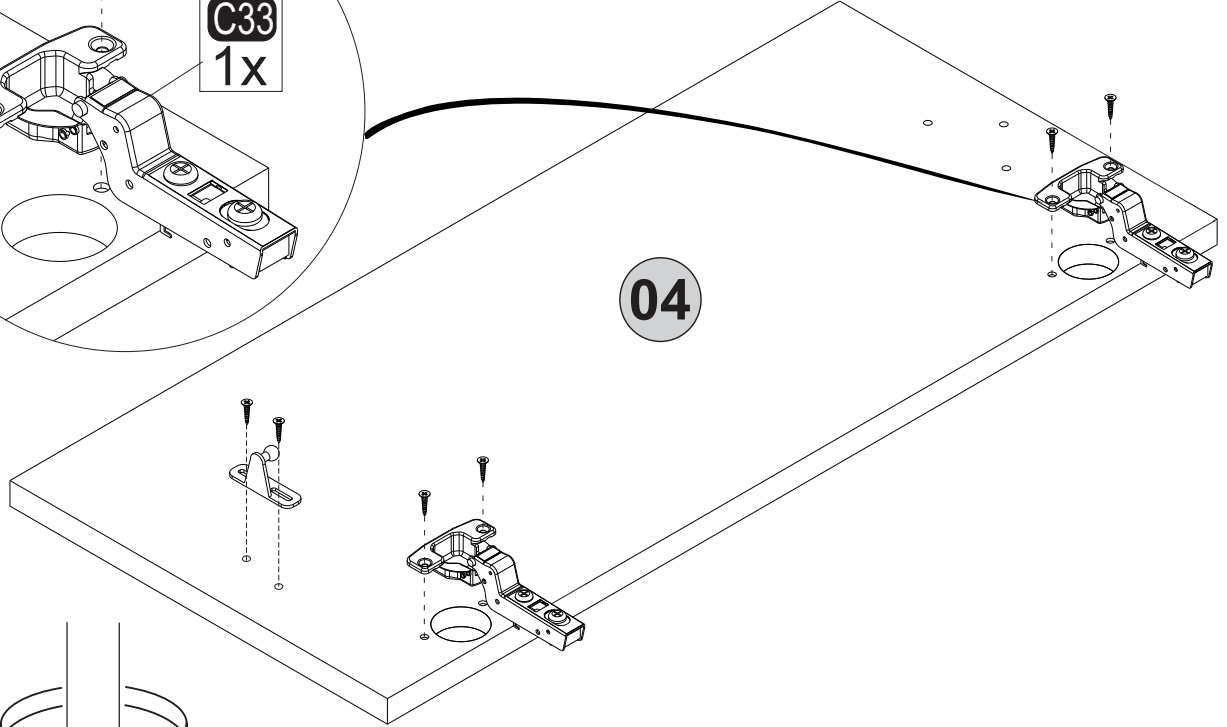
x2

A18
2x

C33
1x



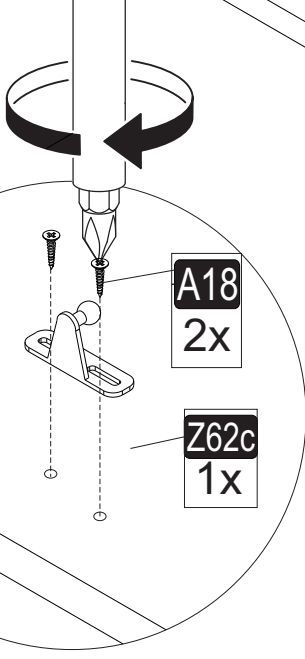
04



x2

A18
2x

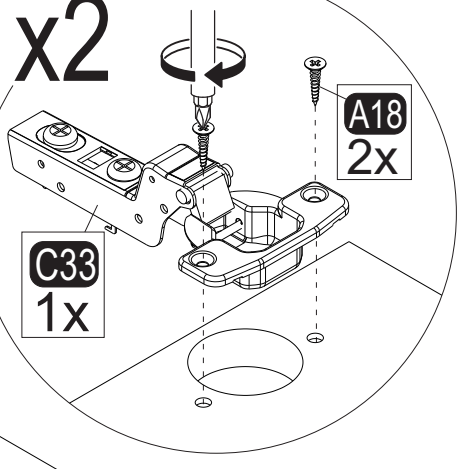
Z62c
1x



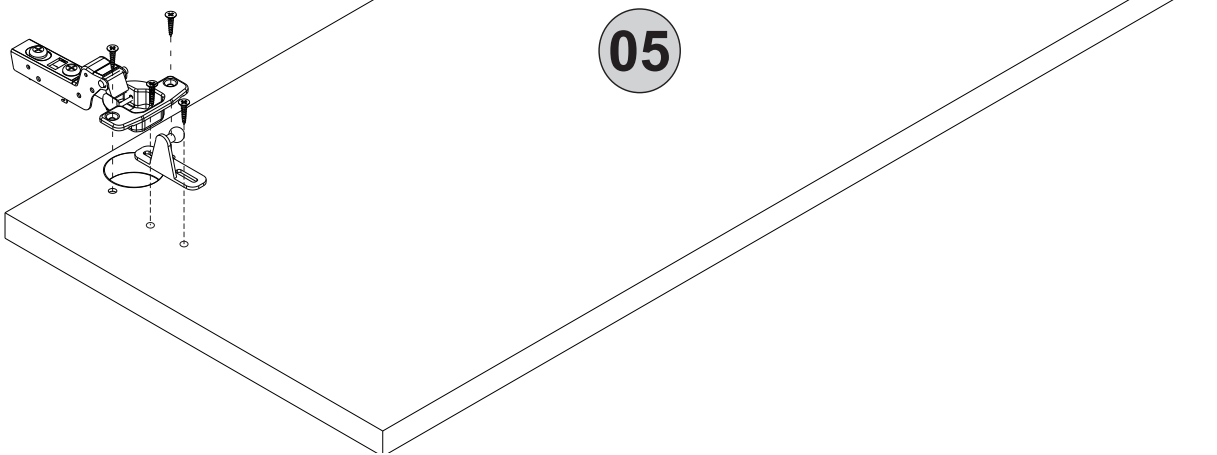
x2

A18
2x

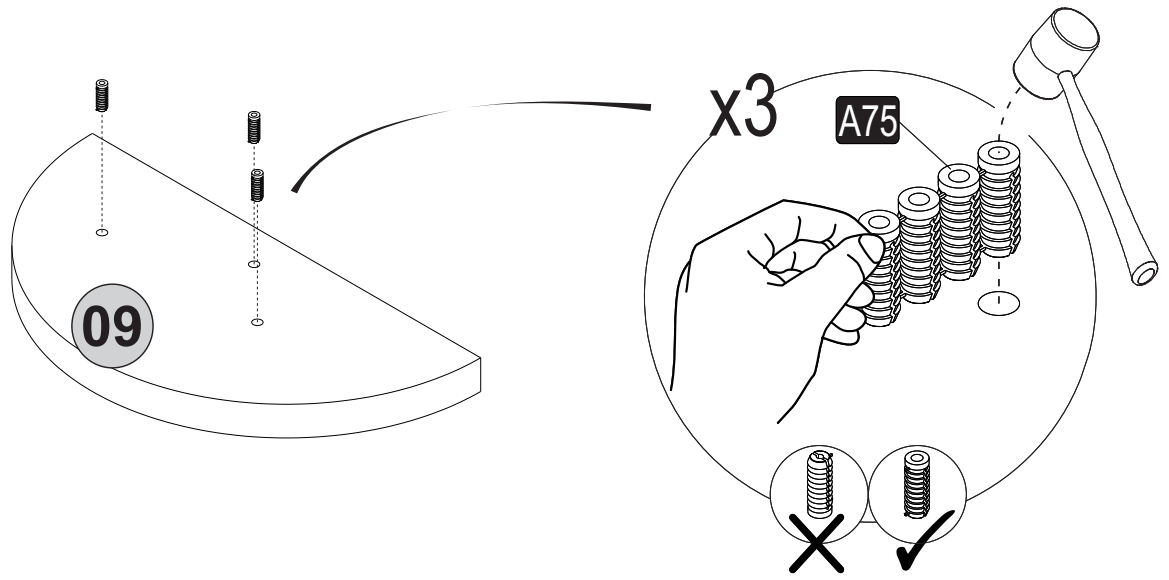
C33
1x



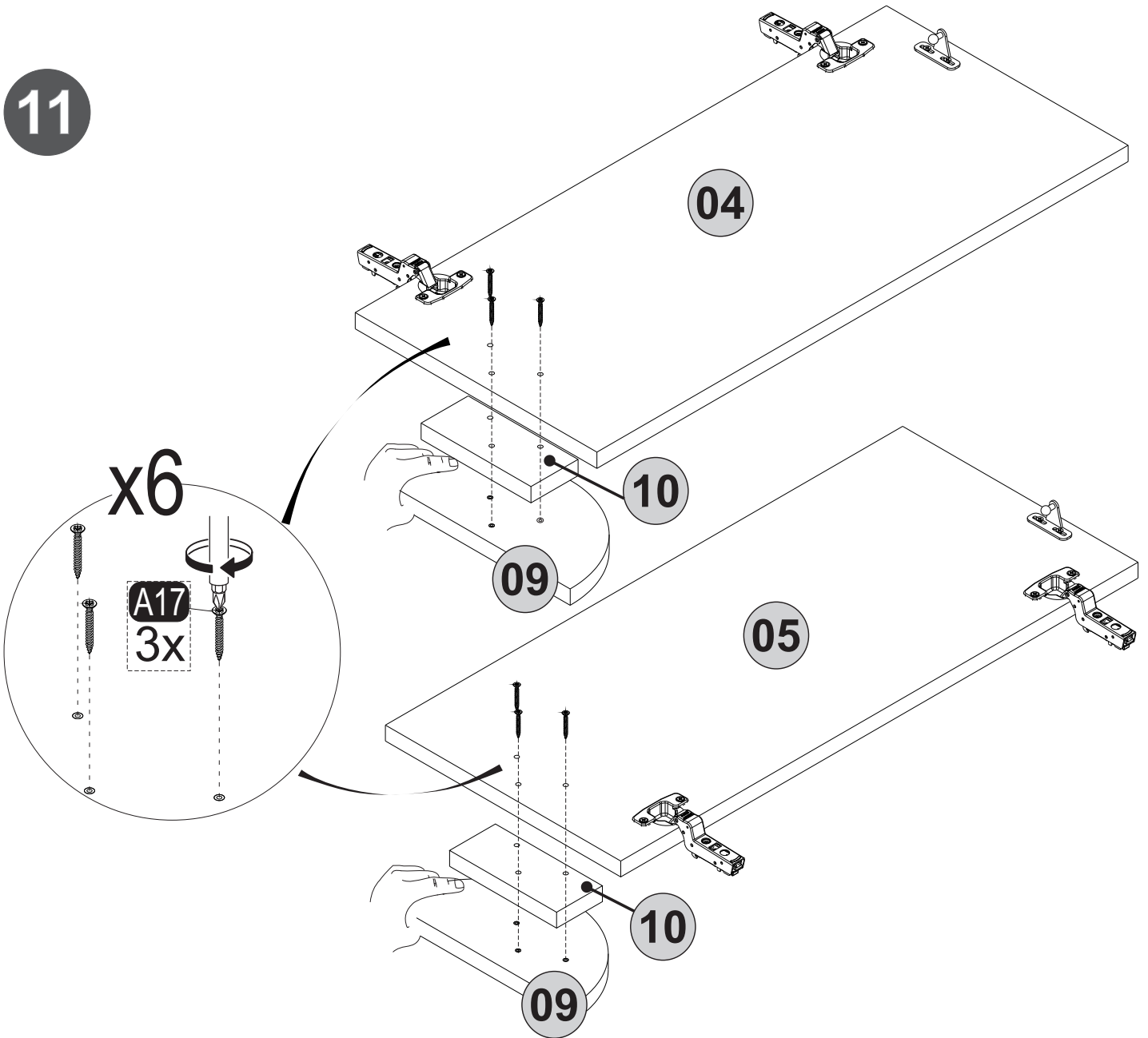
05

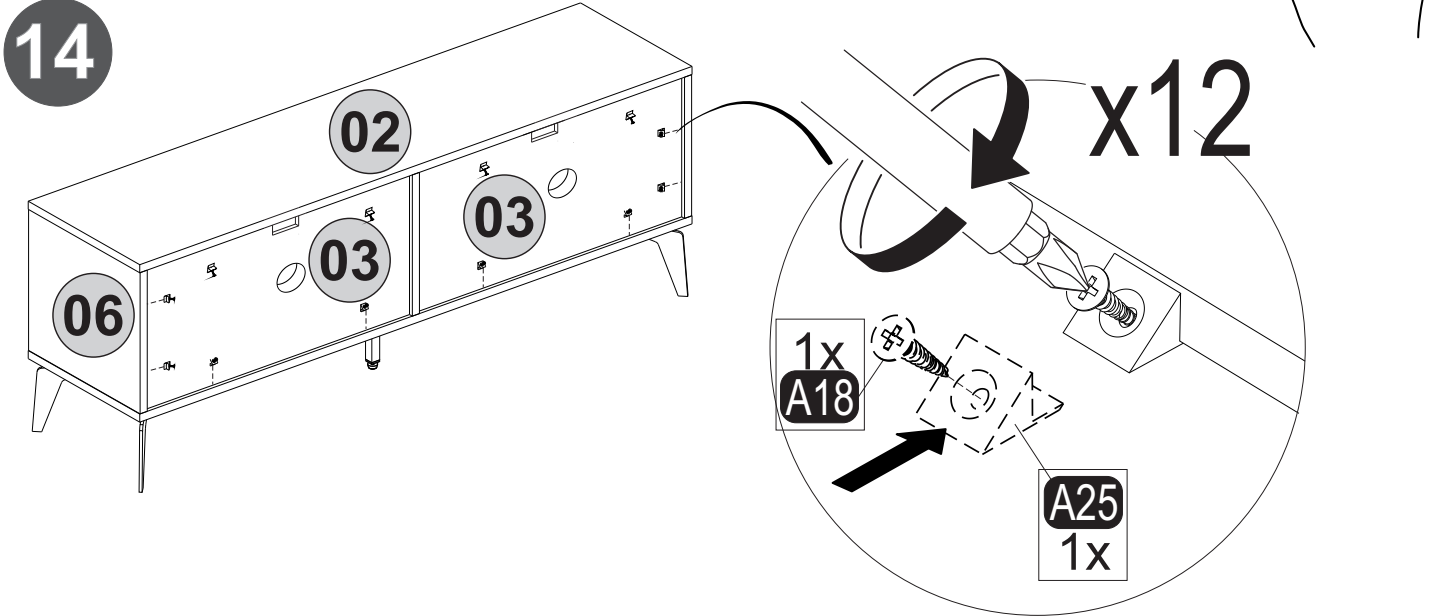
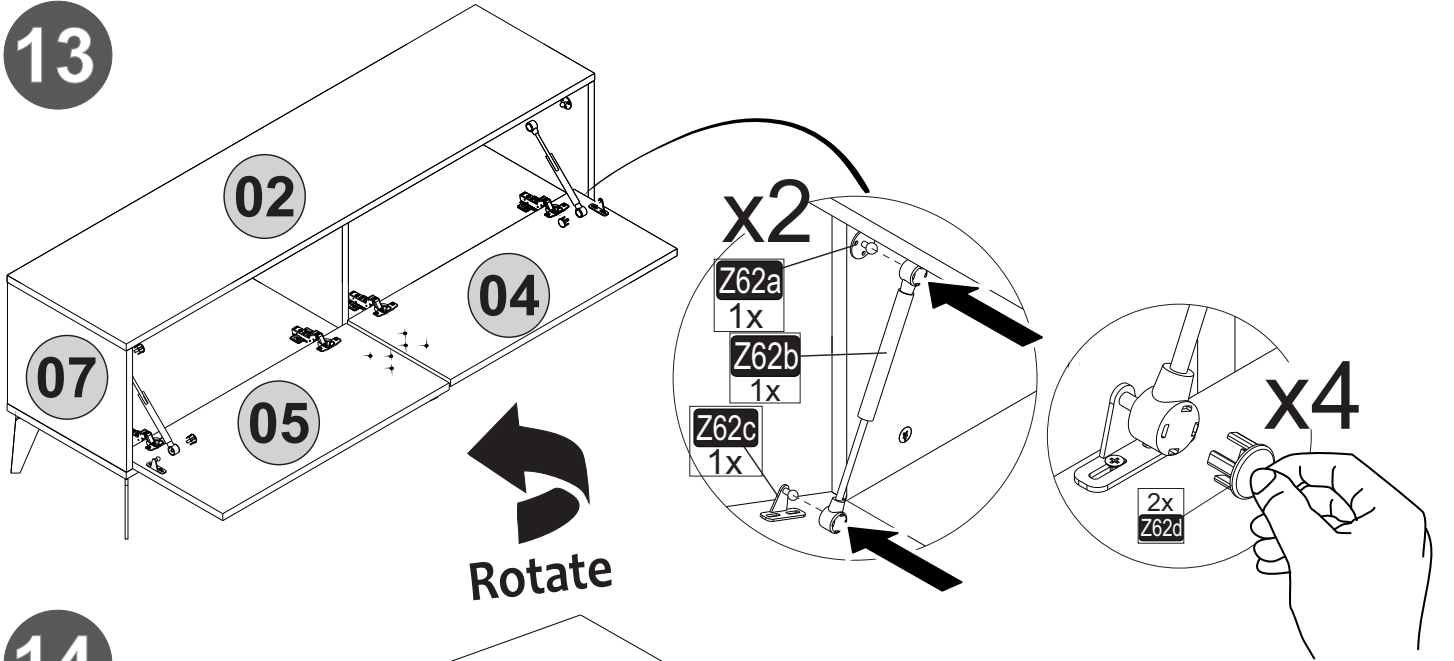
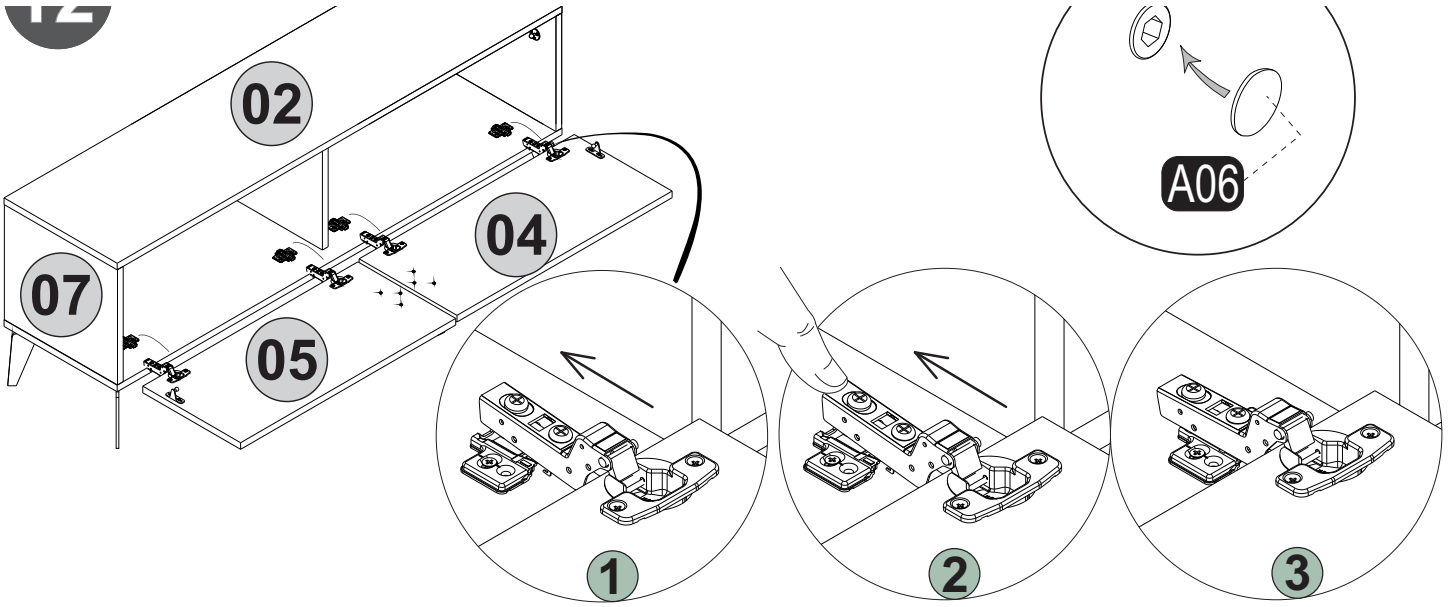


10
x2

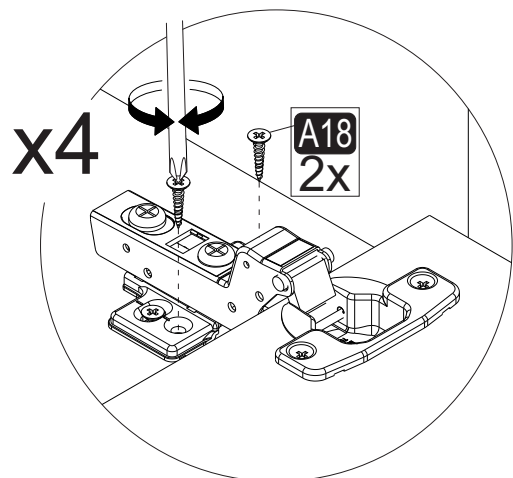
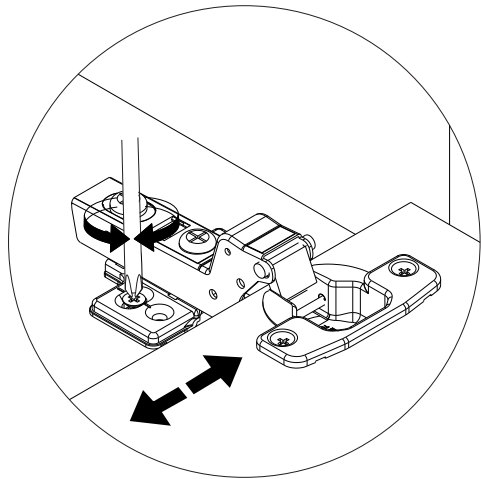
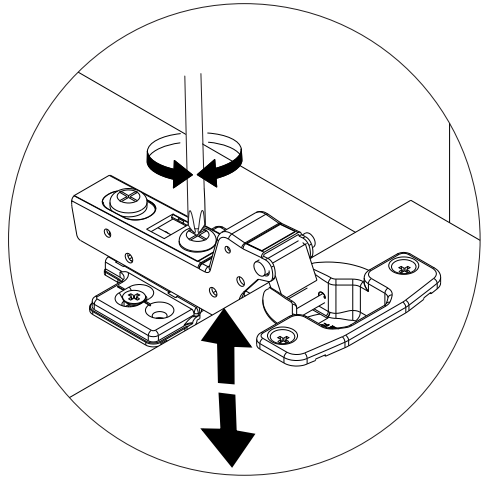
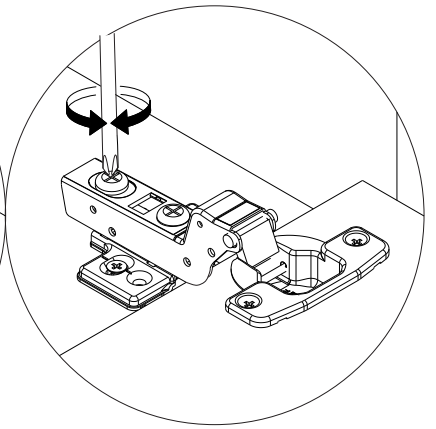
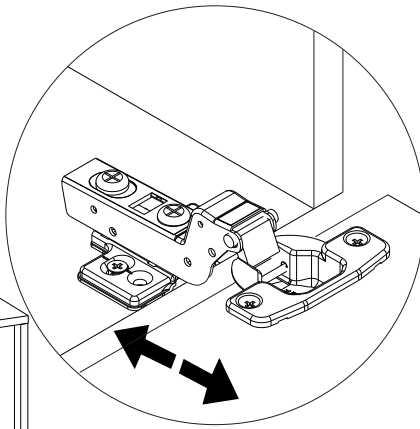
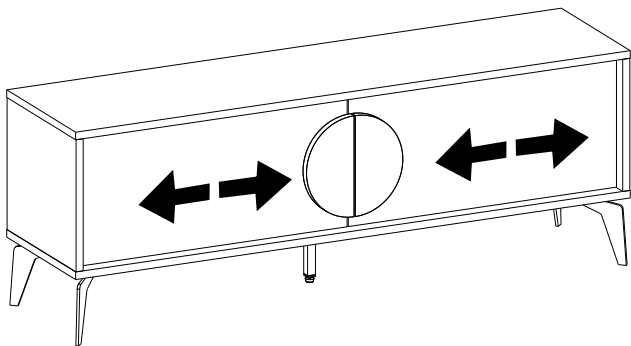
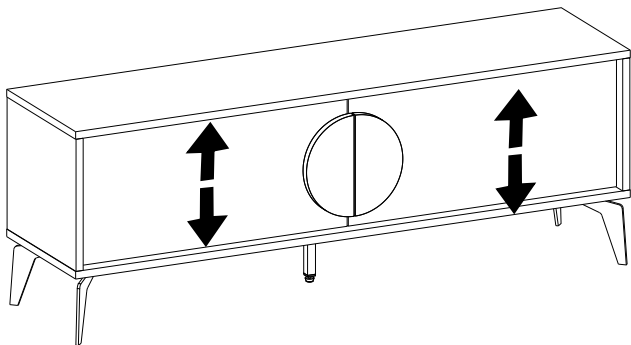
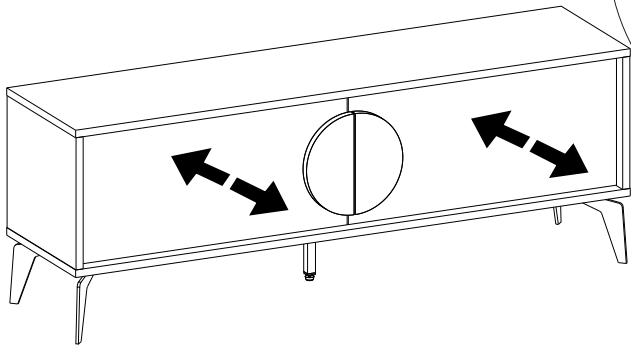


11





15



16

