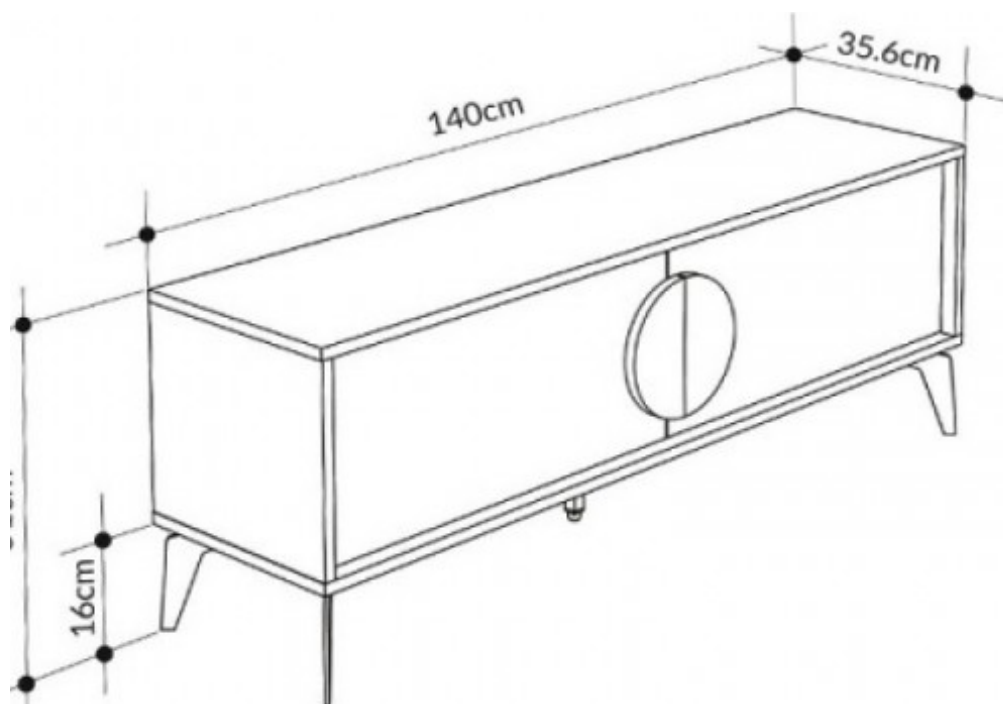




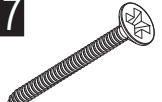

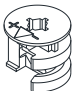
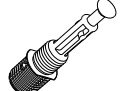
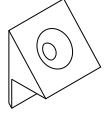



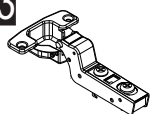
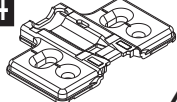

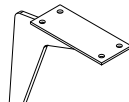


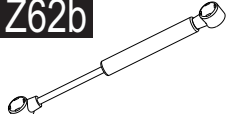

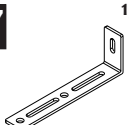
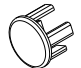
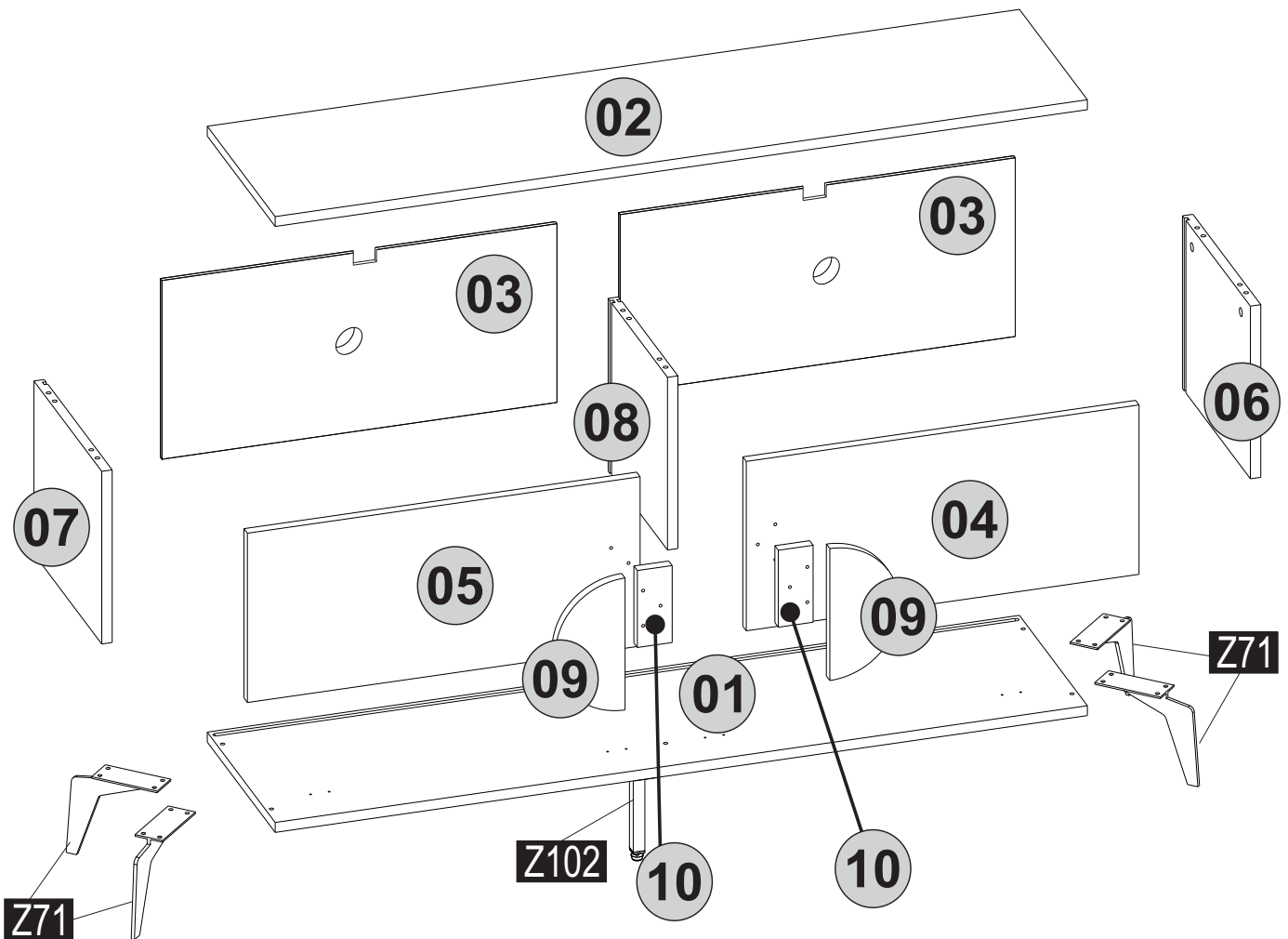


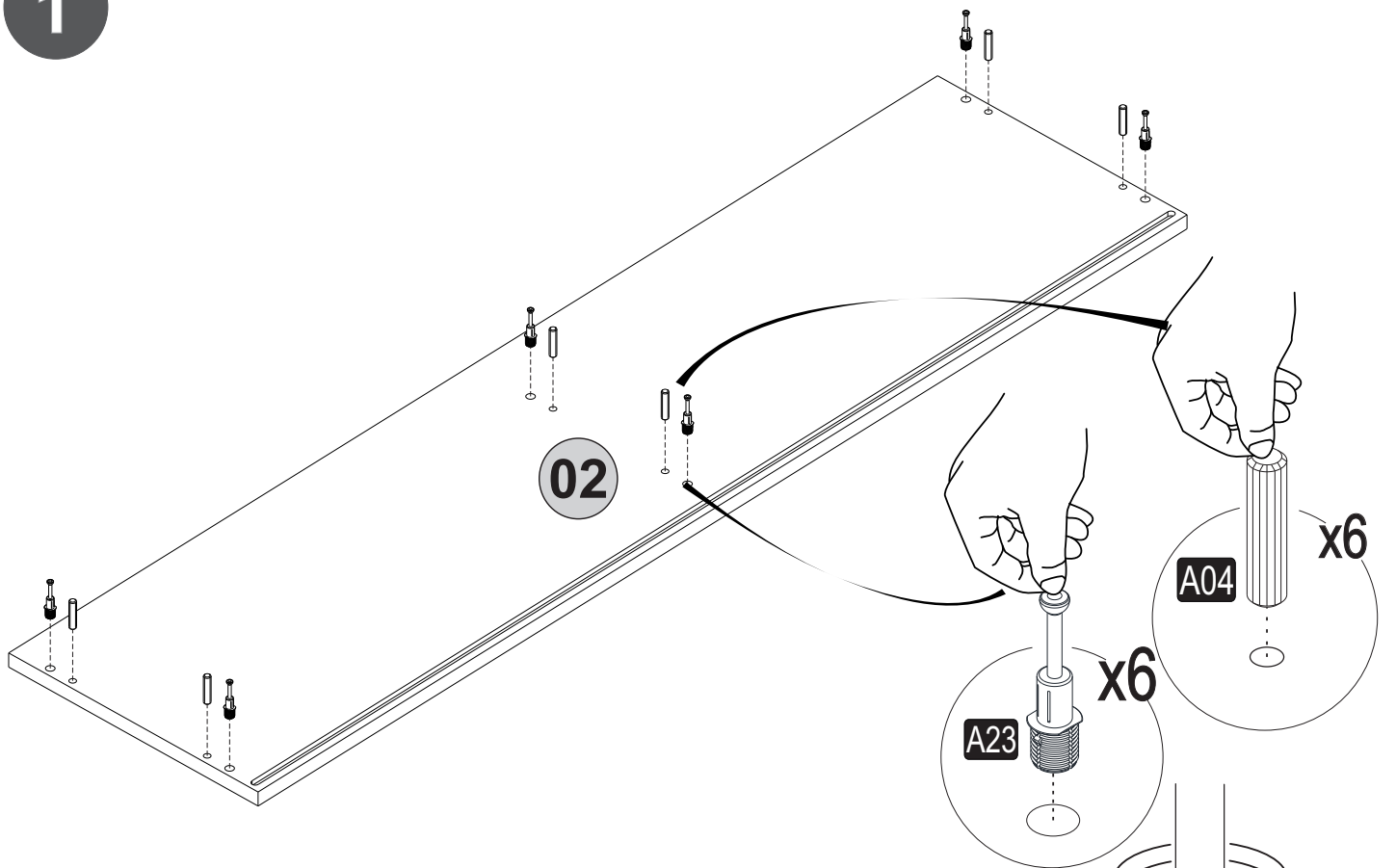
**i** GP037-0249,2



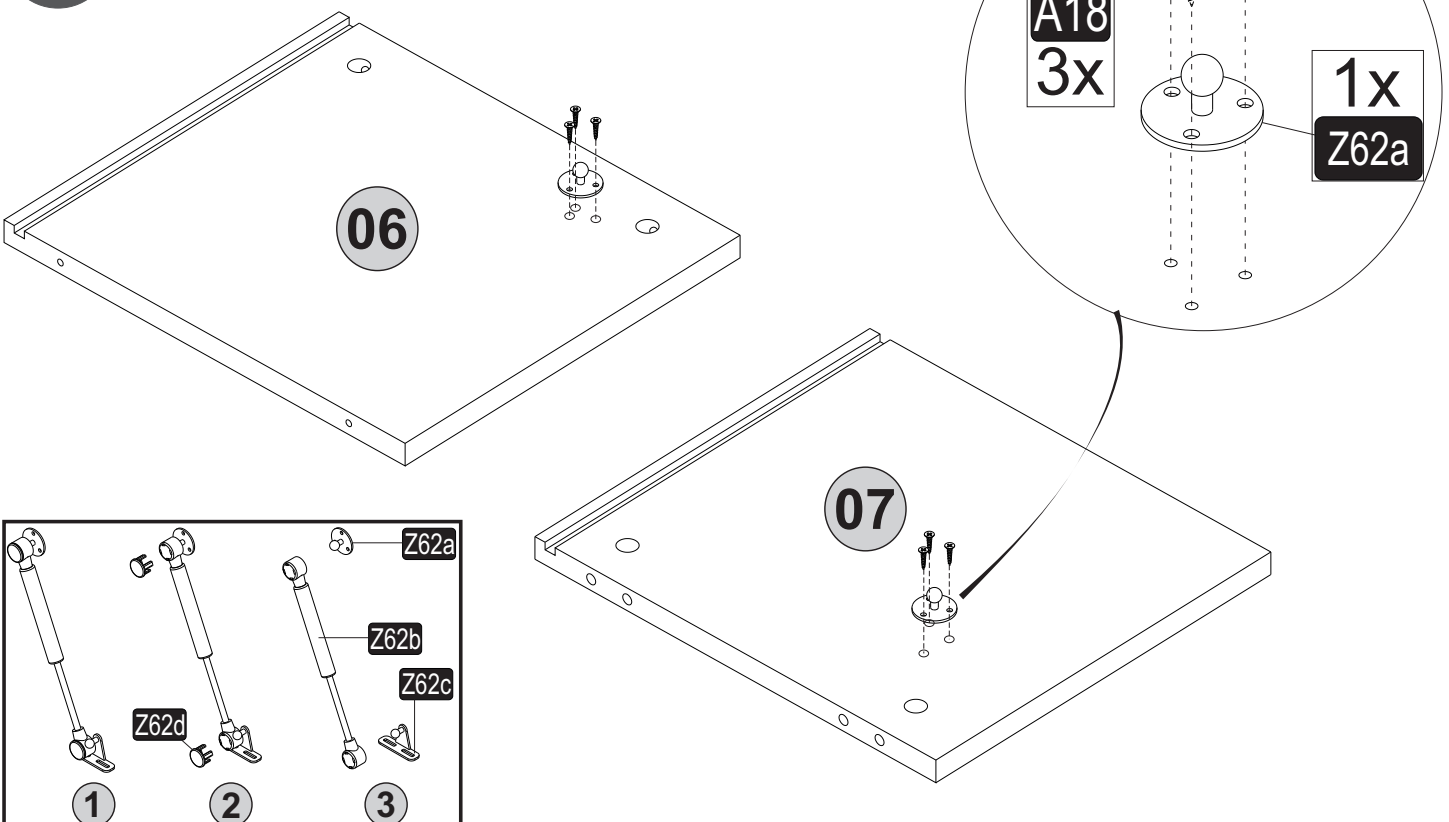
<b>A04</b>  Ø8 <b>6x</b>	<b>A06</b>  18mm C1-12x C2-6x <b>6x</b>	<b>A12</b>  Allen <b>1x</b>	<b>A13</b>  50mm <b>6x</b>	<b>A17</b>  4x50 <b>8x</b>
<b>A18</b>  3,5x18 <b>50x</b>	<b>A22</b>  Minifix k18 <b>6x</b>	<b>A23</b>  Minifix M10 <b>6x</b>	<b>A25</b>  ARK.PL <b>12x</b>	<b>A69</b>  P.D. <b>19x</b>
<b>A75</b>  5x13 <b>6x</b>	<b>B15</b>  15 (black)mm <b>19x</b>	<b>C33</b>  TM <b>4x</b>	<b>C34</b>  MA <b>4x</b>	<b>A16</b>  DbØ8 <b>2x</b>
<b>Z71</b>  LEG <b>4x</b>	<b>Z102</b>  AMA 160mm <b>1x</b>	<b>Z62a</b>  DKP <b>2x</b>	<b>Z62b</b>  DKP <b>2x</b>	<b>Z62c</b>  DKP <b>2x</b>
			<b>A87</b>  15x90x30 <b>2x</b>	<b>Z62d</b>  DKP <b>4x</b>



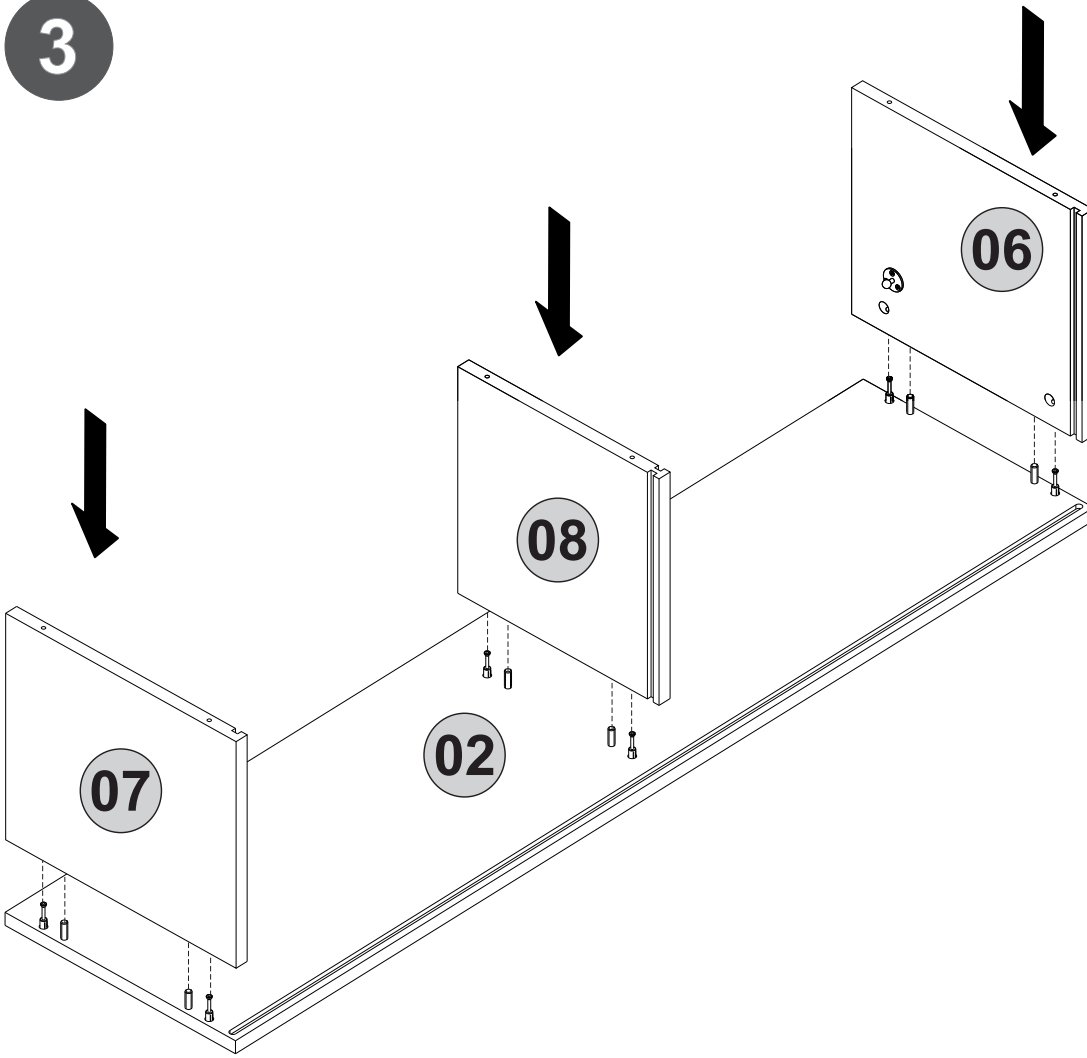
1



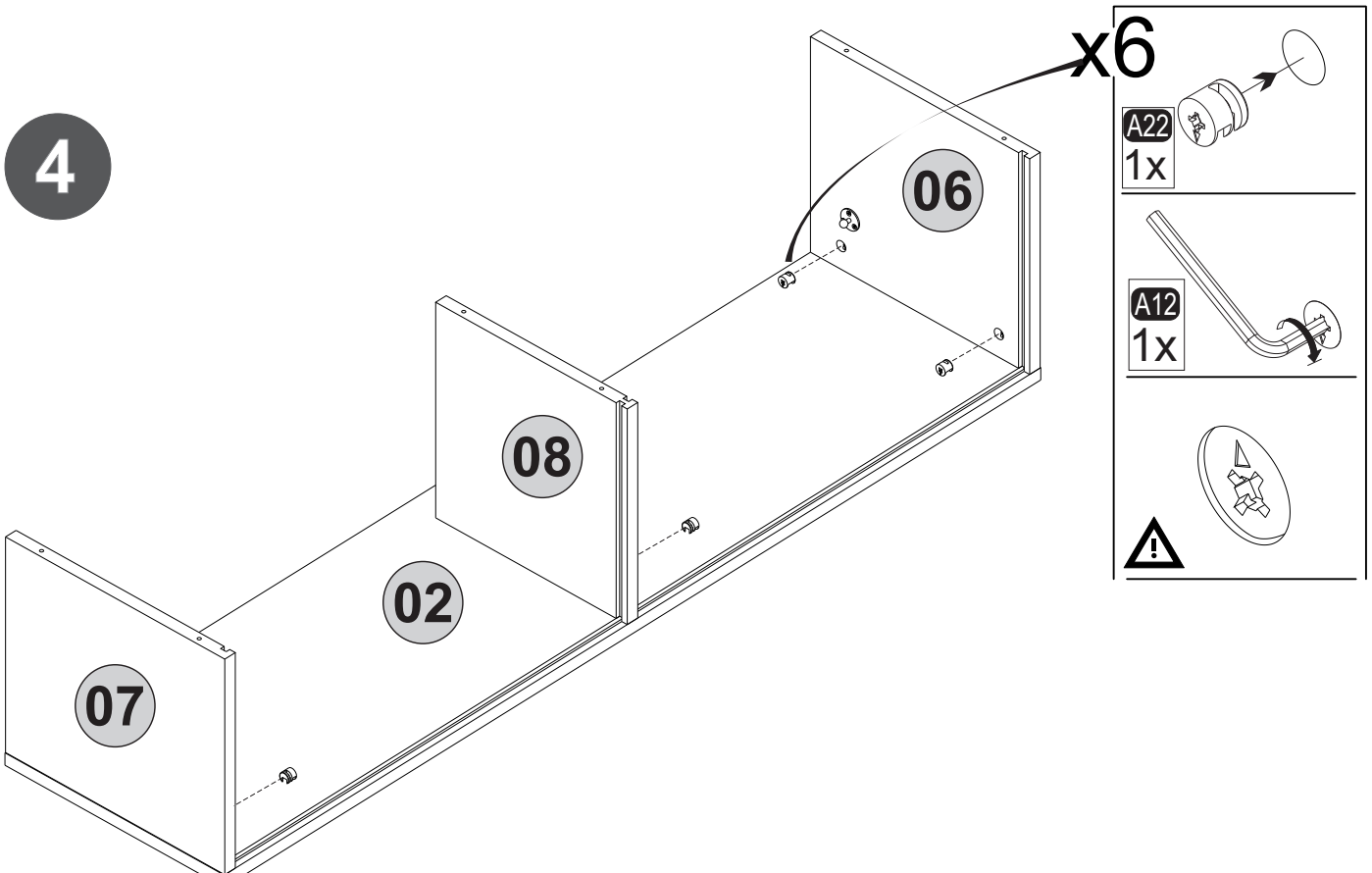
2



3

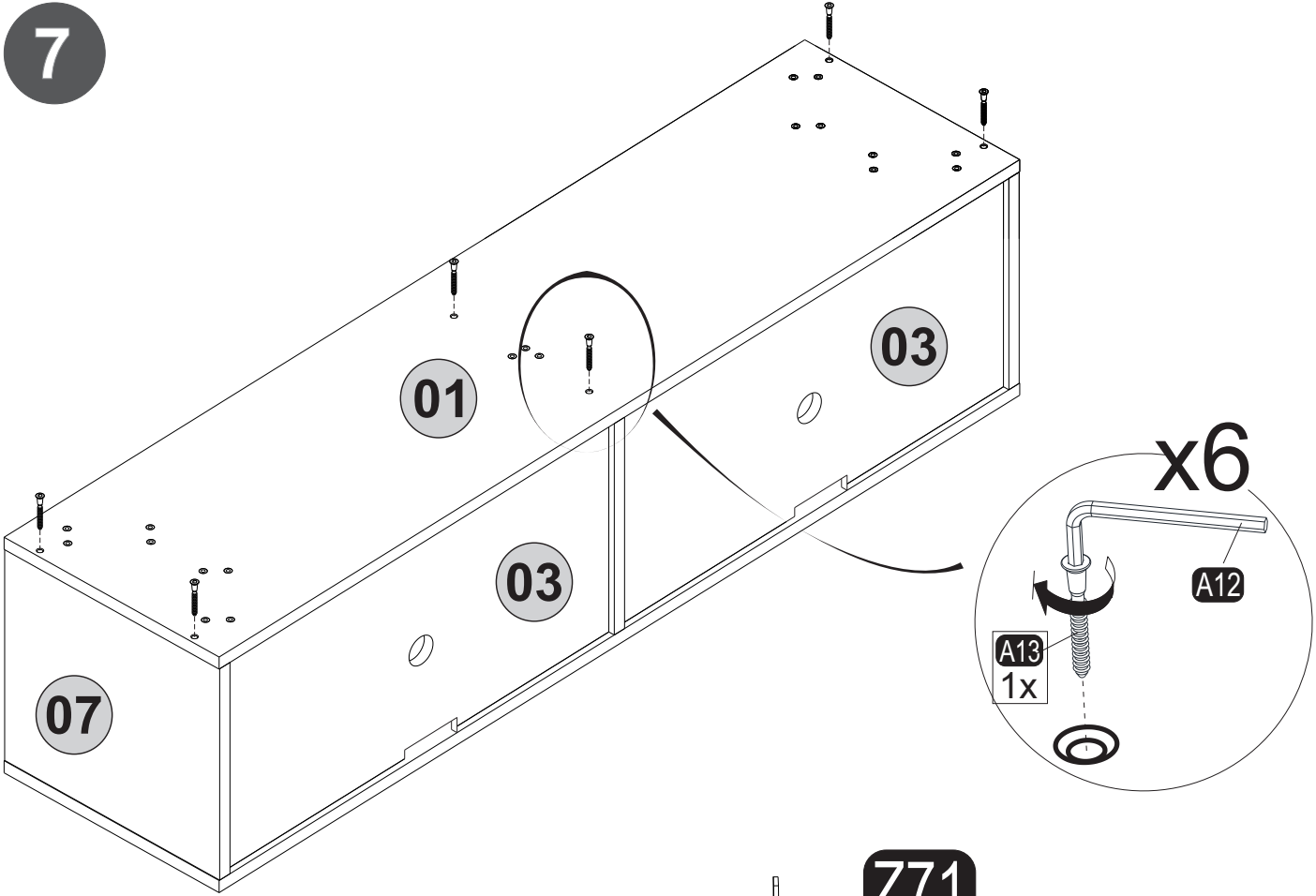


4

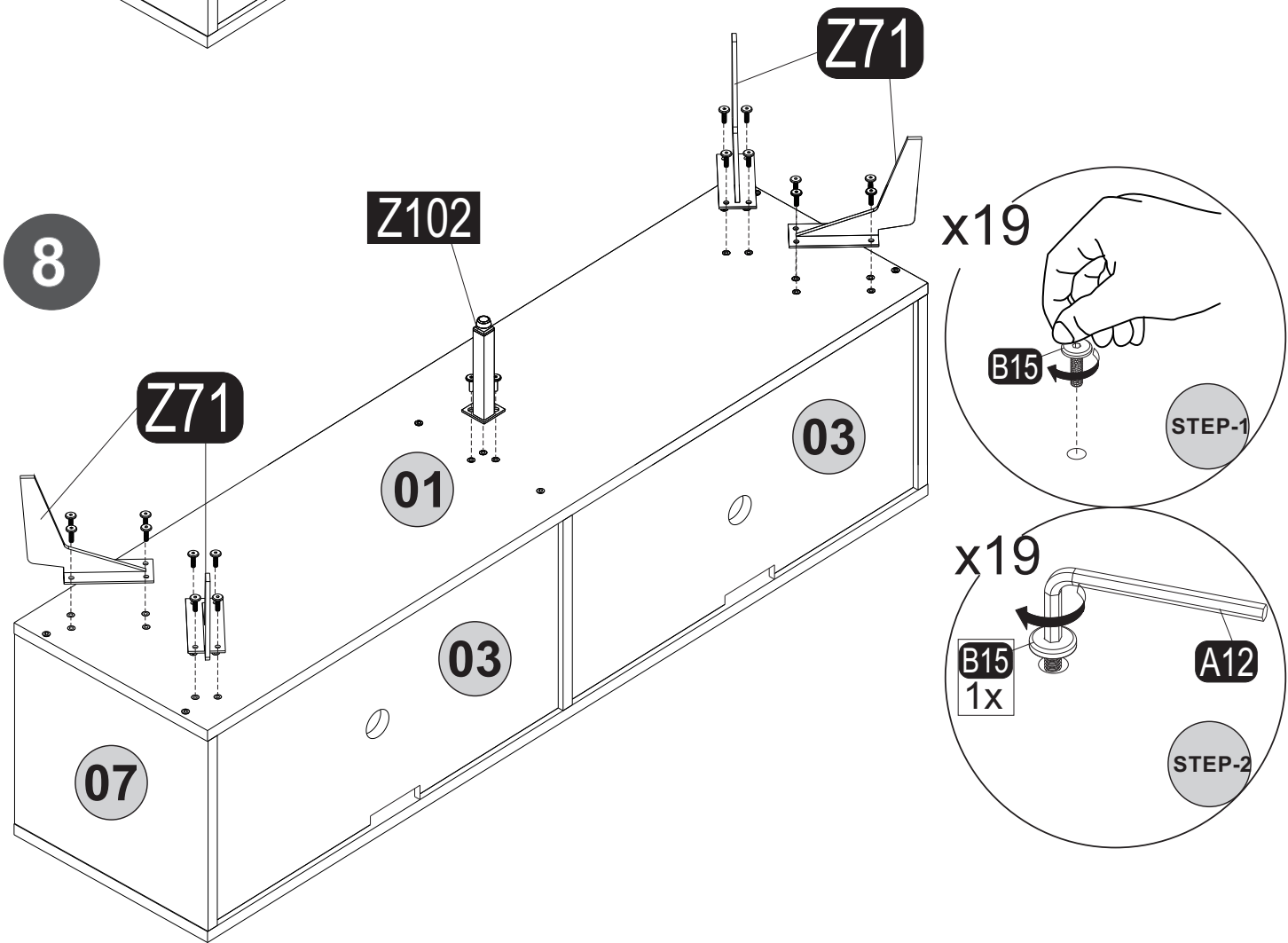




7



8

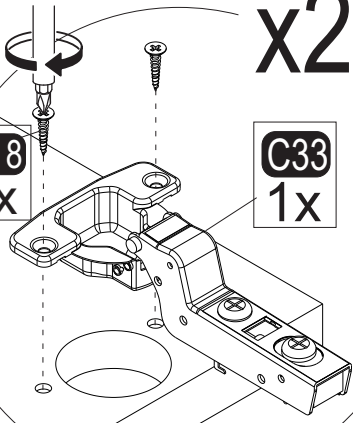


9

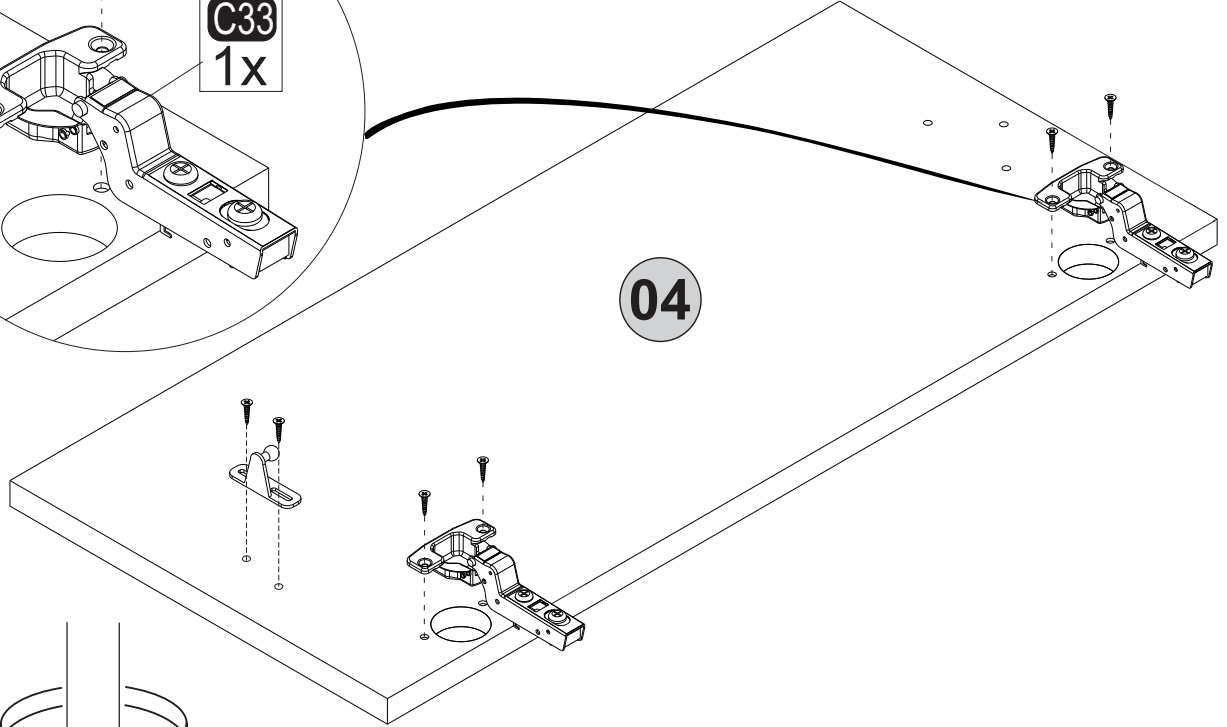
x2

A18  
2x

C33  
1x



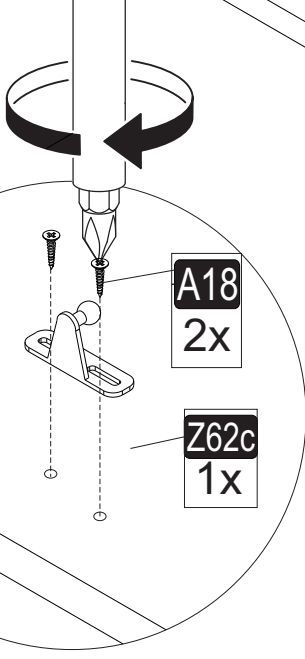
04



x2

A18  
2x

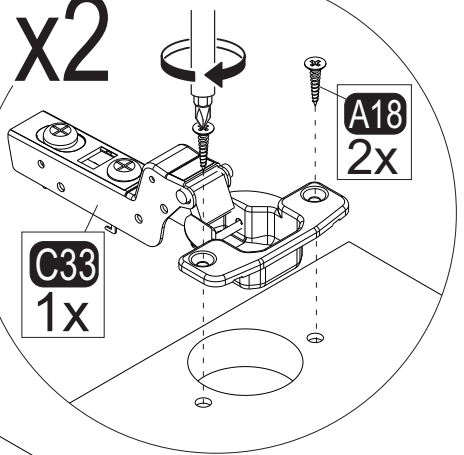
Z62c  
1x



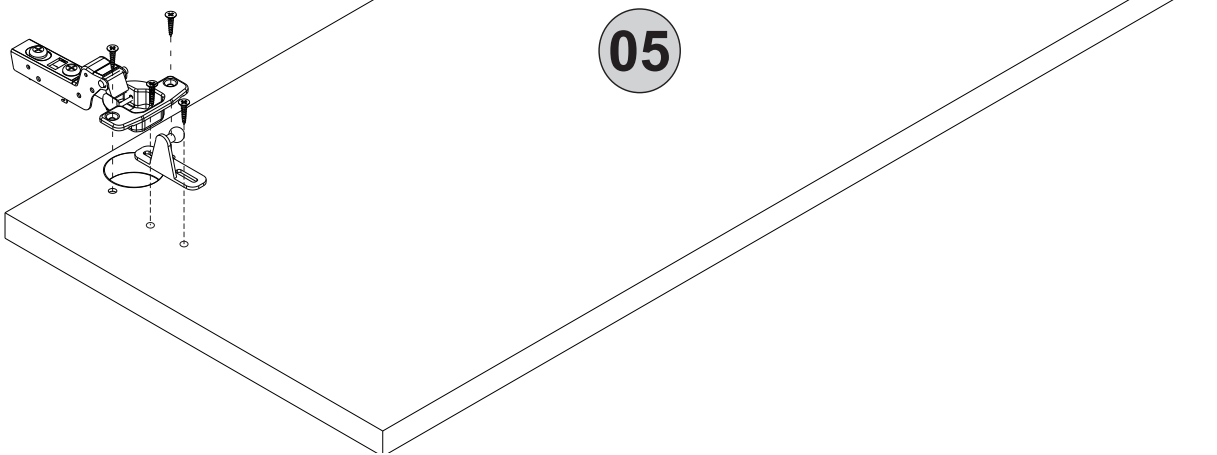
x2

A18  
2x

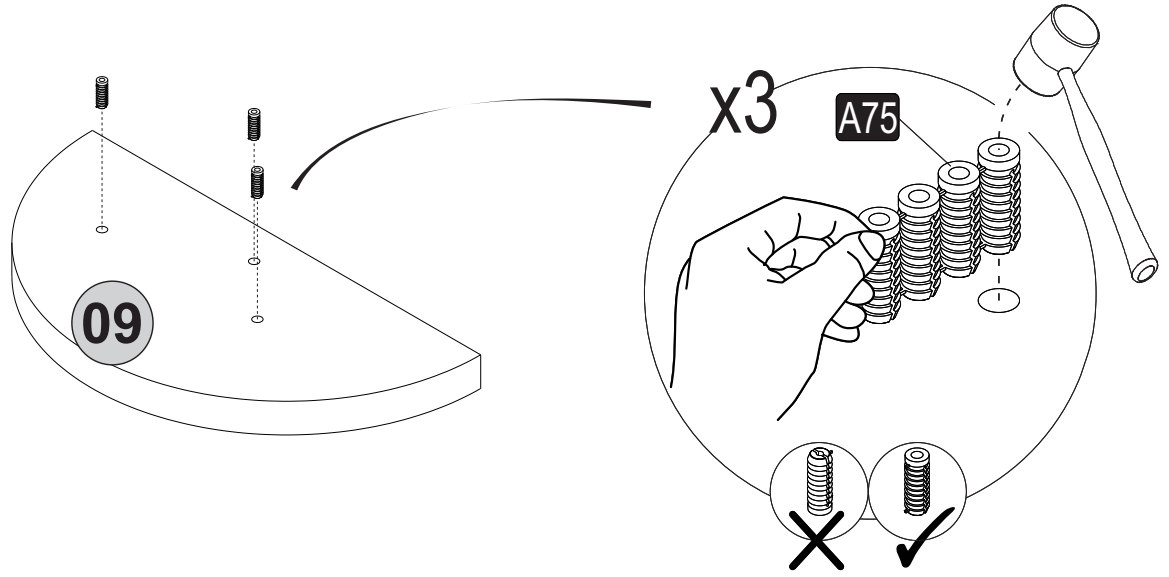
C33  
1x



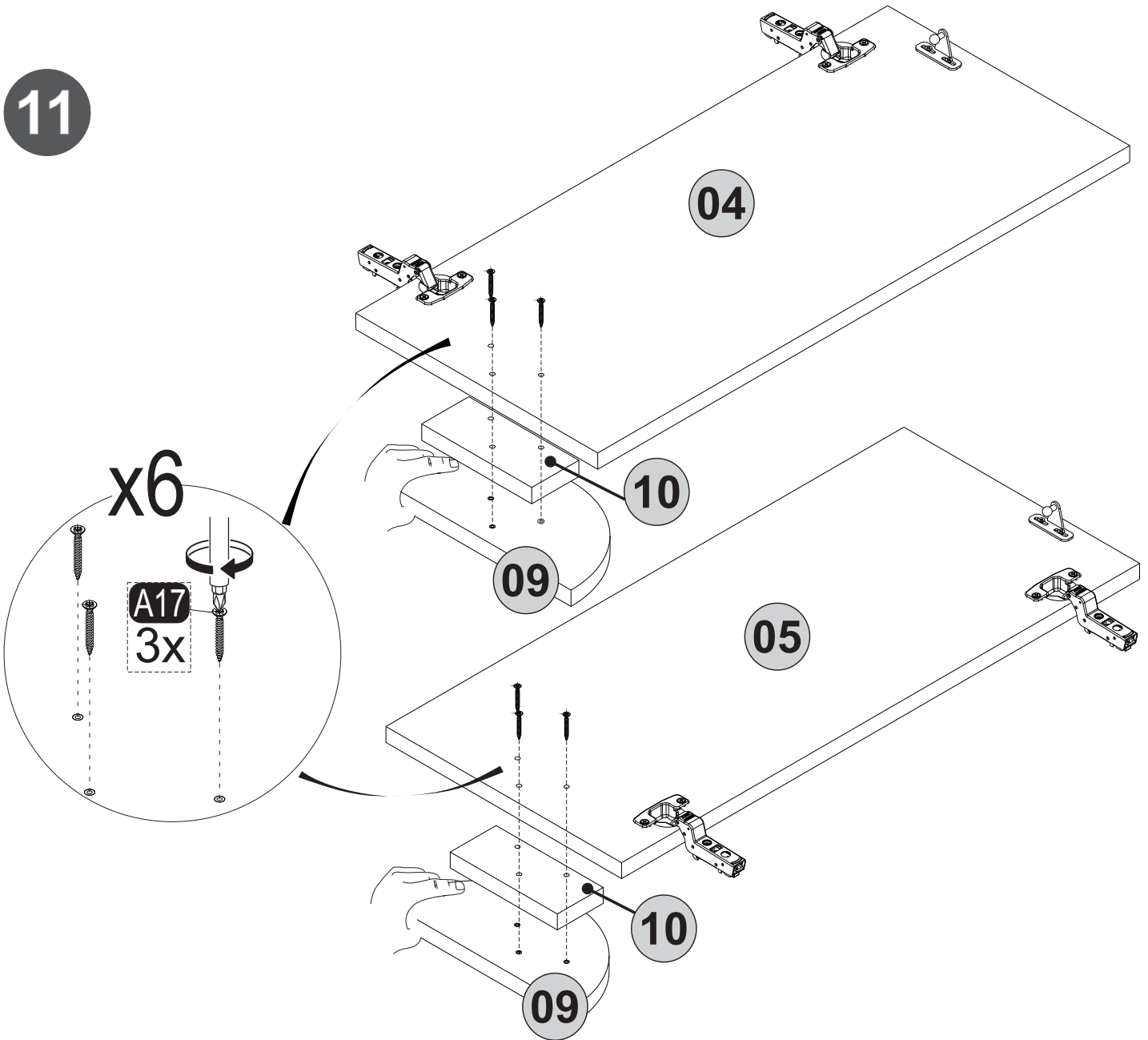
05

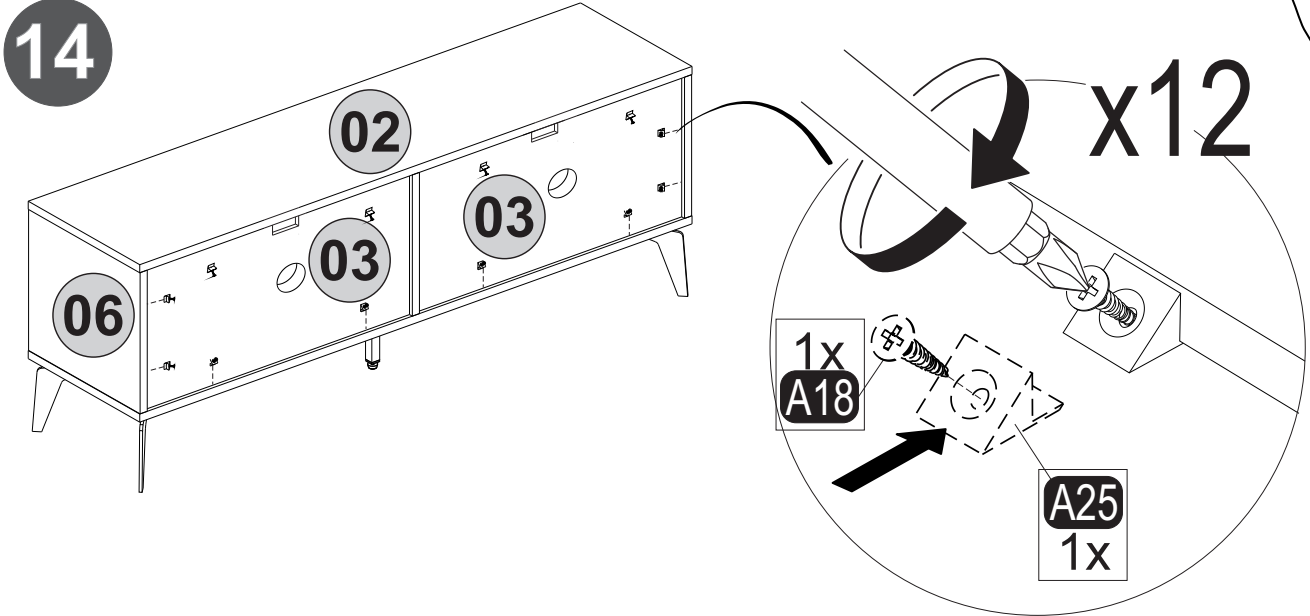
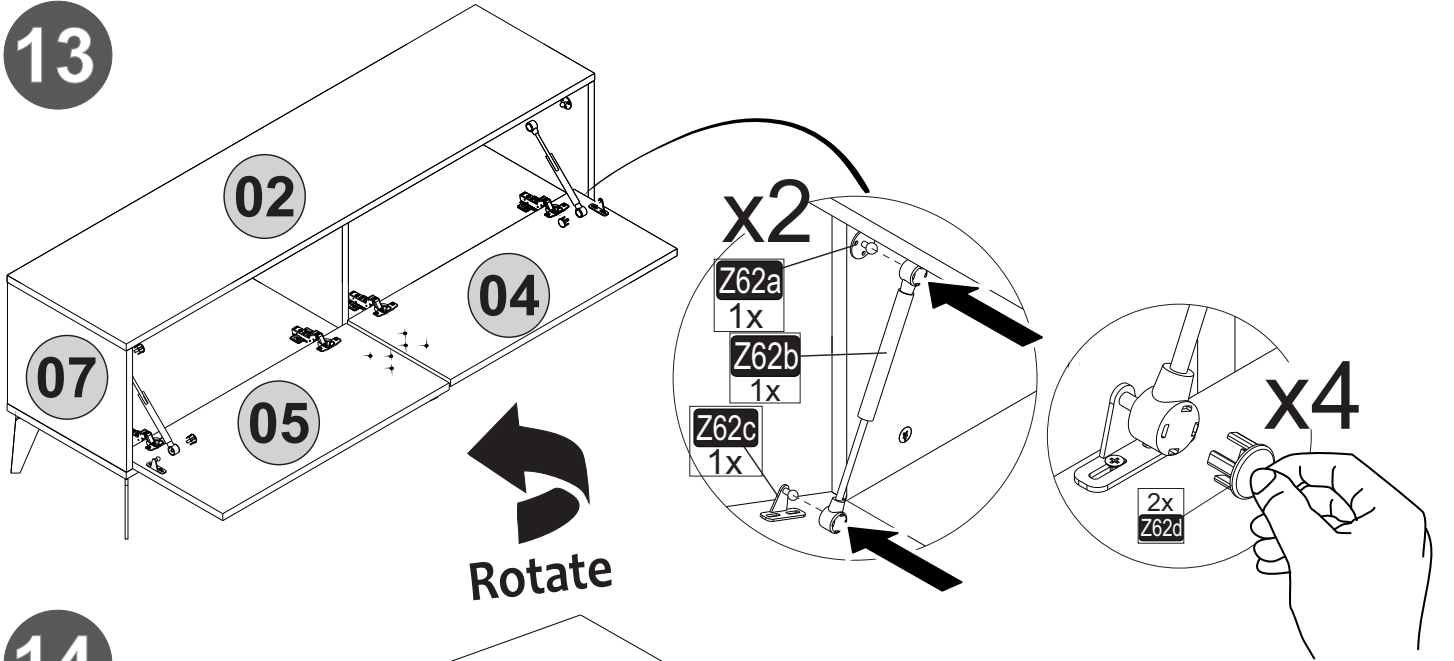
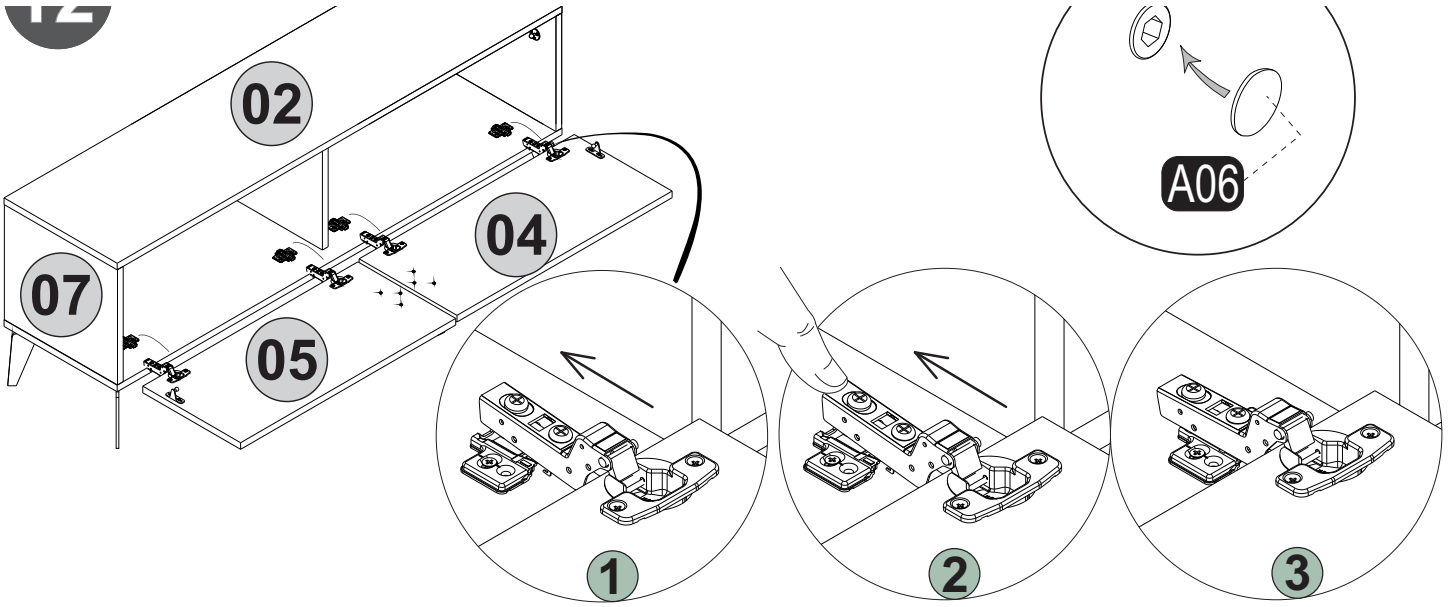


**10**  
**x2**

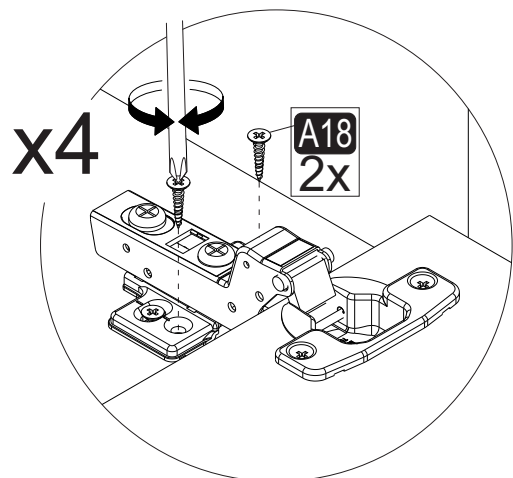
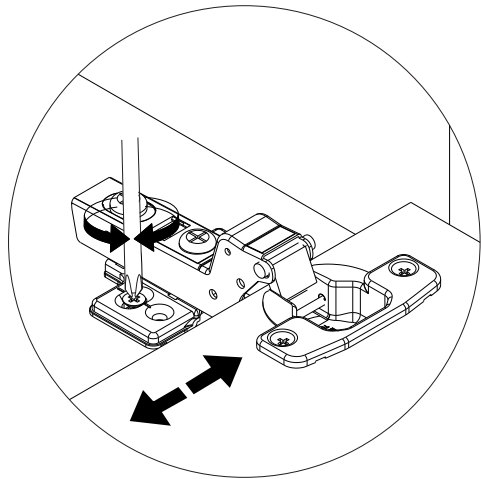
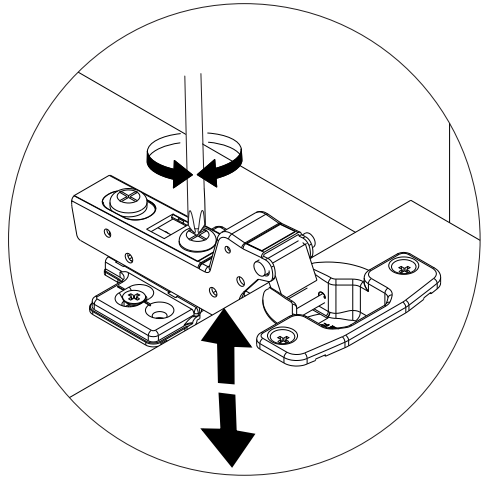
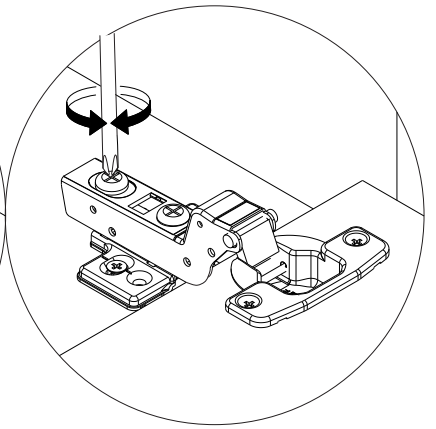
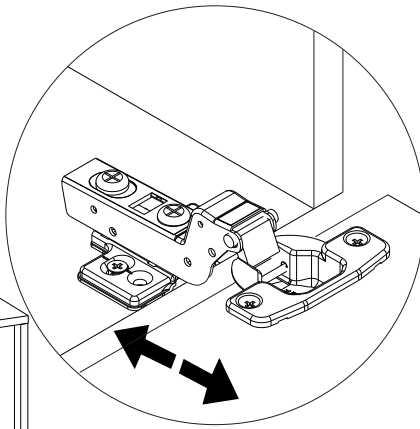
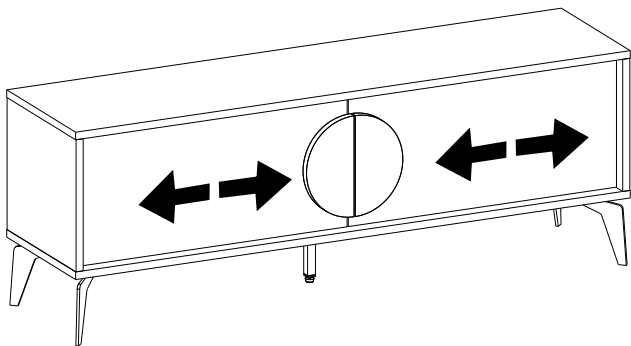
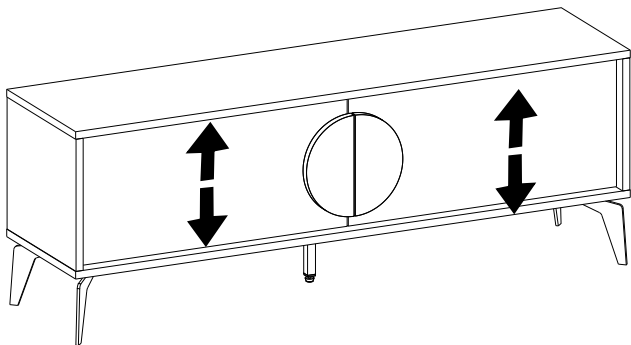
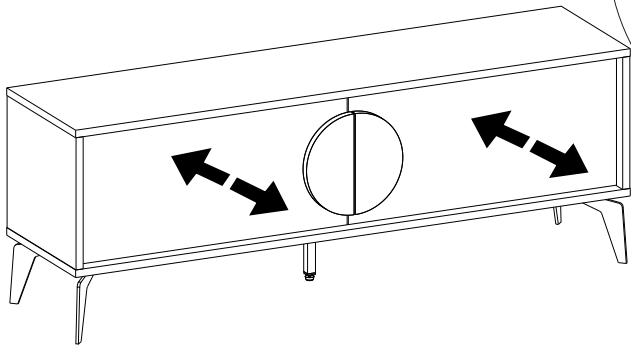


**11**





15



16

