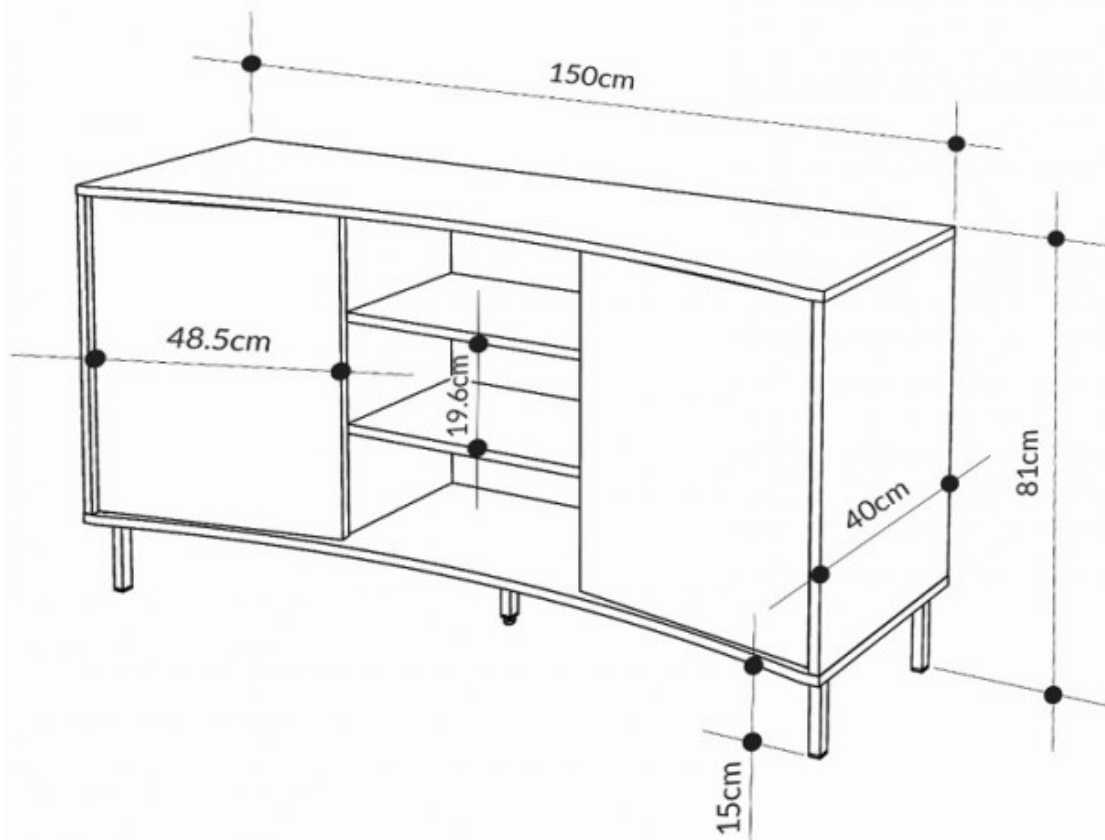
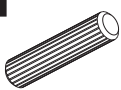



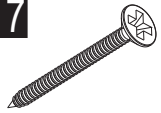

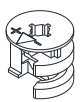
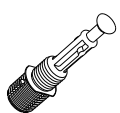
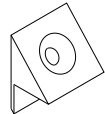
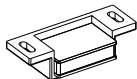

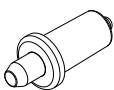

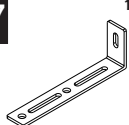

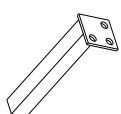

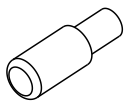

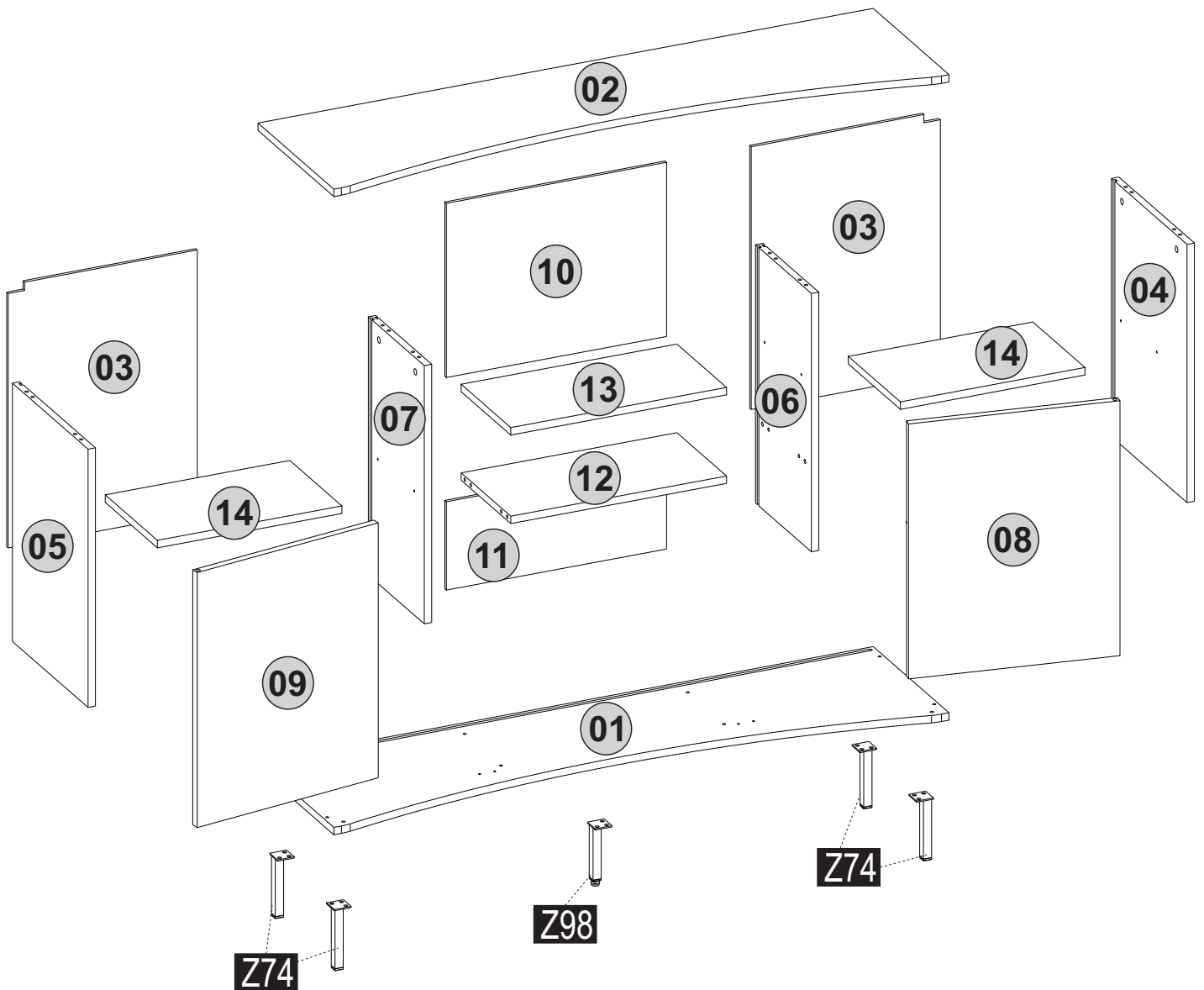


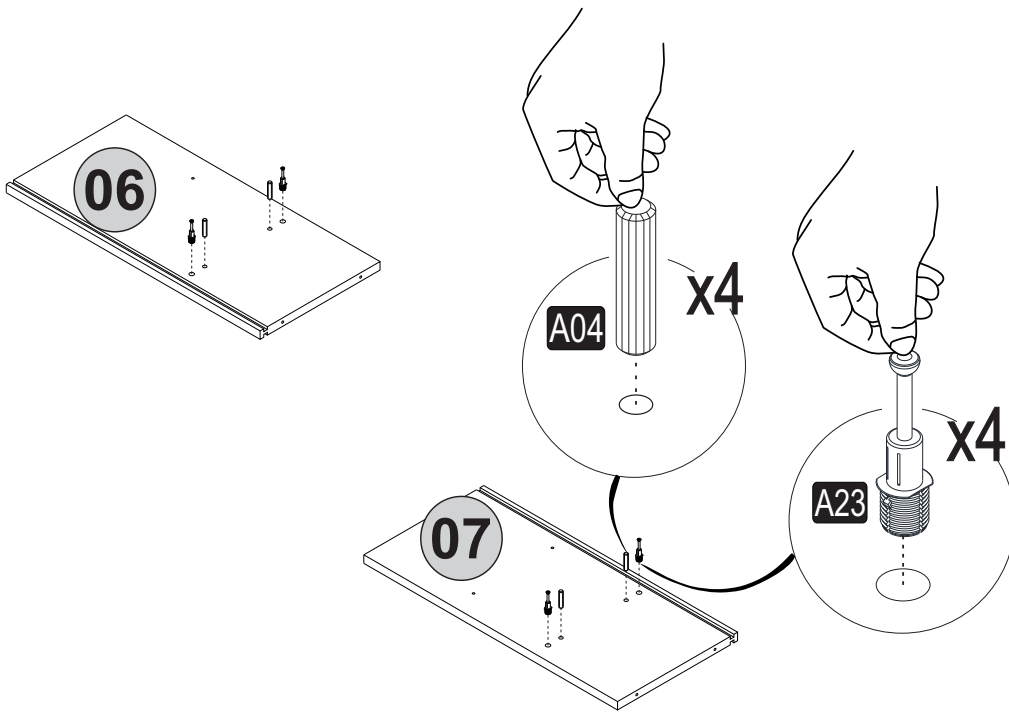
**i** GP037-0257,1



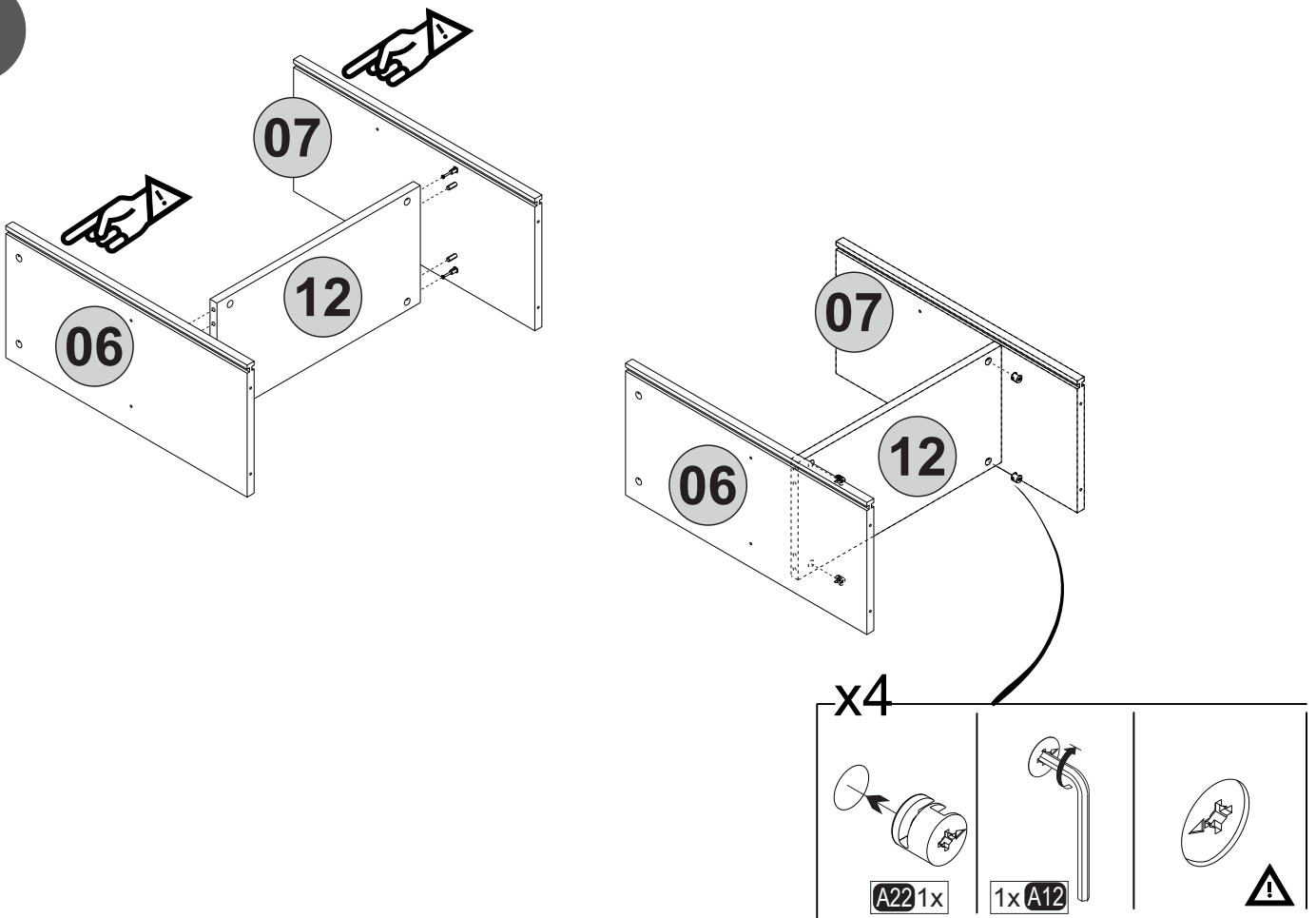
<b>A04</b>  12x	<b>A06</b>  18mm C1-20x	<b>A12</b>  Allen 1x	<b>A16</b>  DbØ8 2x	<b>A17</b>  4x50 2x
<b>A18</b>  3,5x18 32x	<b>A22</b>  Minifix k18 12x	<b>A23</b>  Minifix M10 12x	<b>A25</b>  ARK.PL 12x	<b>A96</b>  M.C.P. 4x
<b>B15</b>  15 (black)mm 15x	<b>A65</b>  Mil Mentese 4x	<b>A69</b>  P.D. 15x	<b>A87</b>  15x90x30 2x	<b>Z158</b>  MÇÇK galveniz 4x
<b>Z74</b>  A.M.A.S. 4x	<b>Z98</b>  AMA 150mm 1x	<b>A48</b>  Raf Pimi 12x	<b>A13</b>  50mm 8x	



1



2



3

x2

A18  
2x

1x  
A96

02

02

A23  
x8

A04

x8

4

04

06

07

05

02

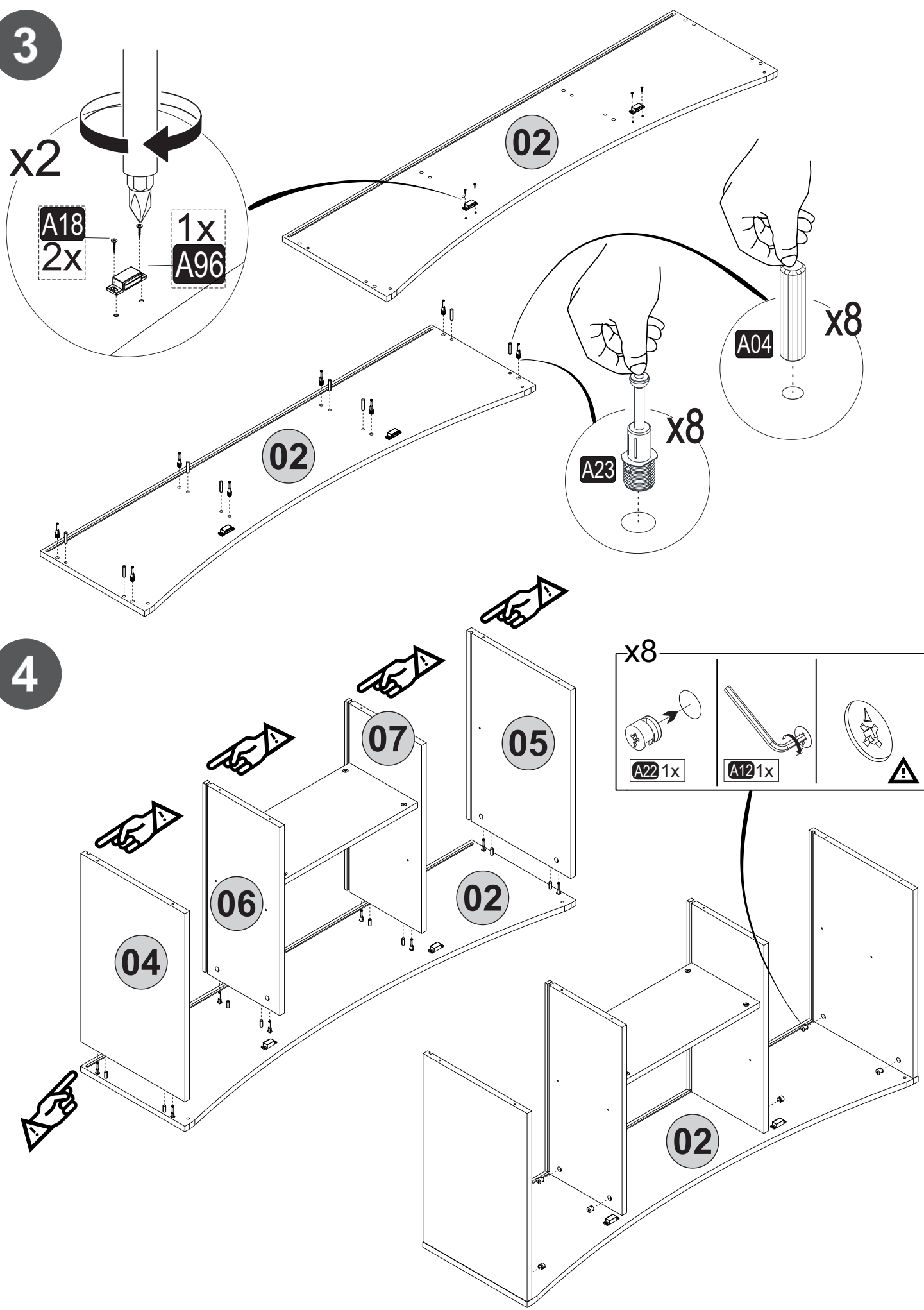
x8

A22 1x

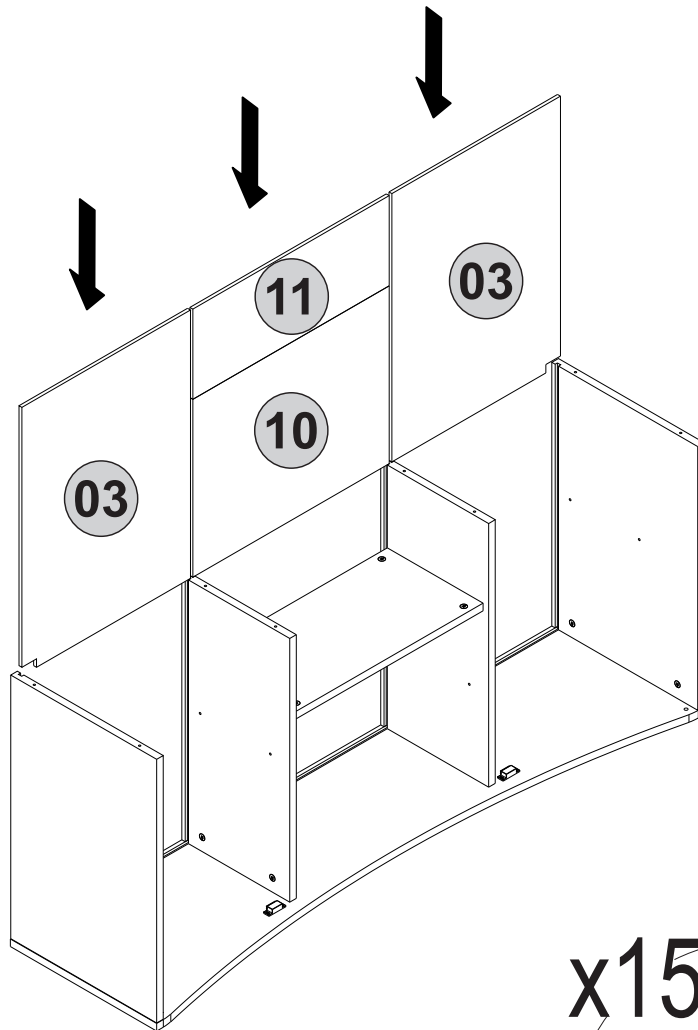
A12 1x



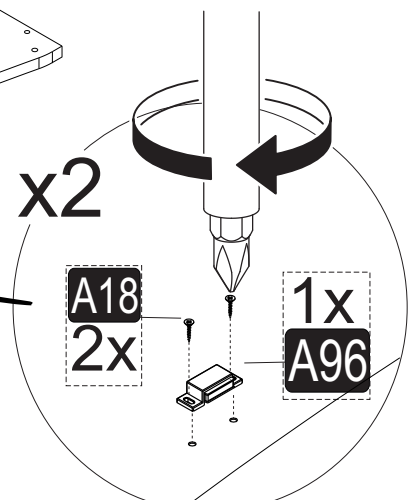
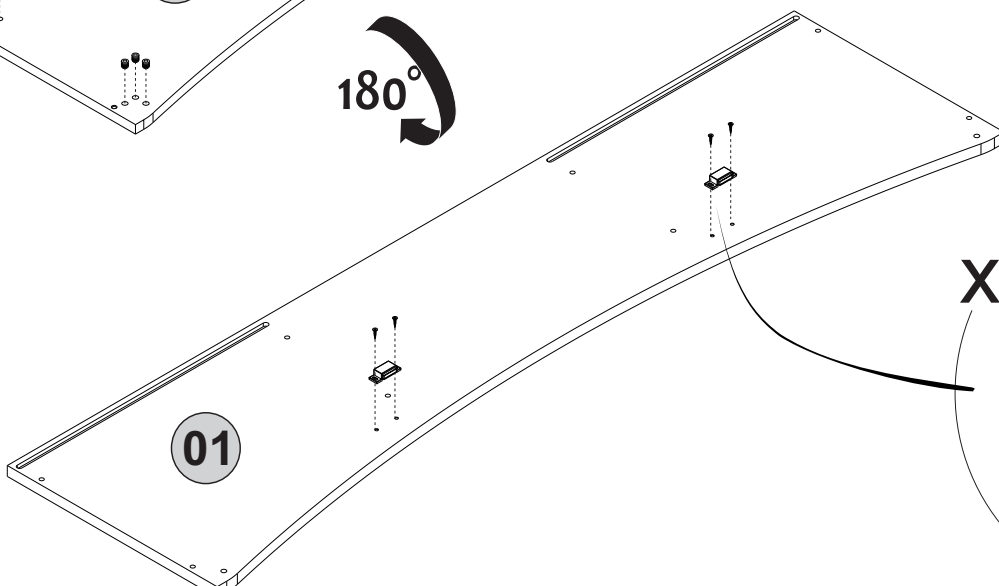
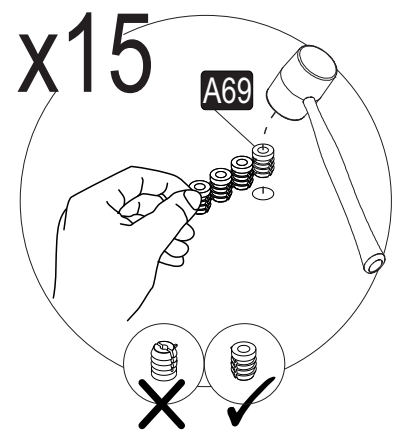
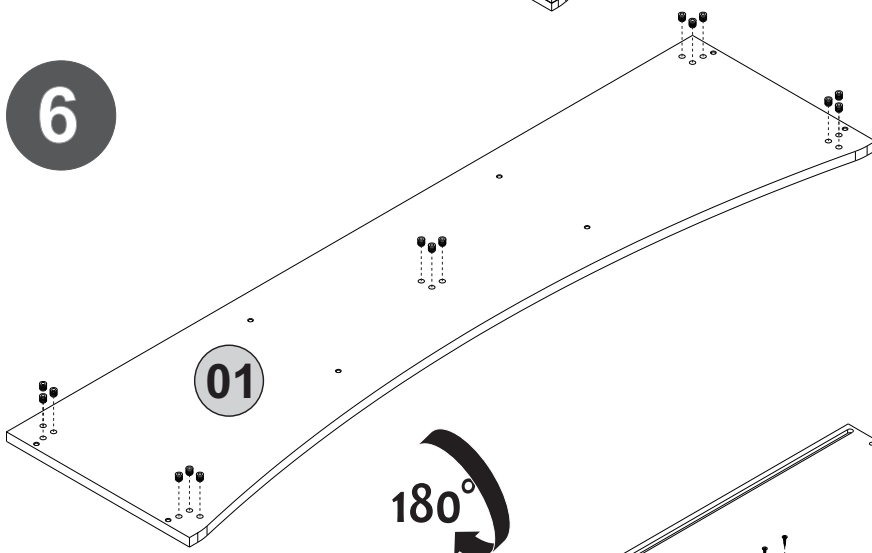
02



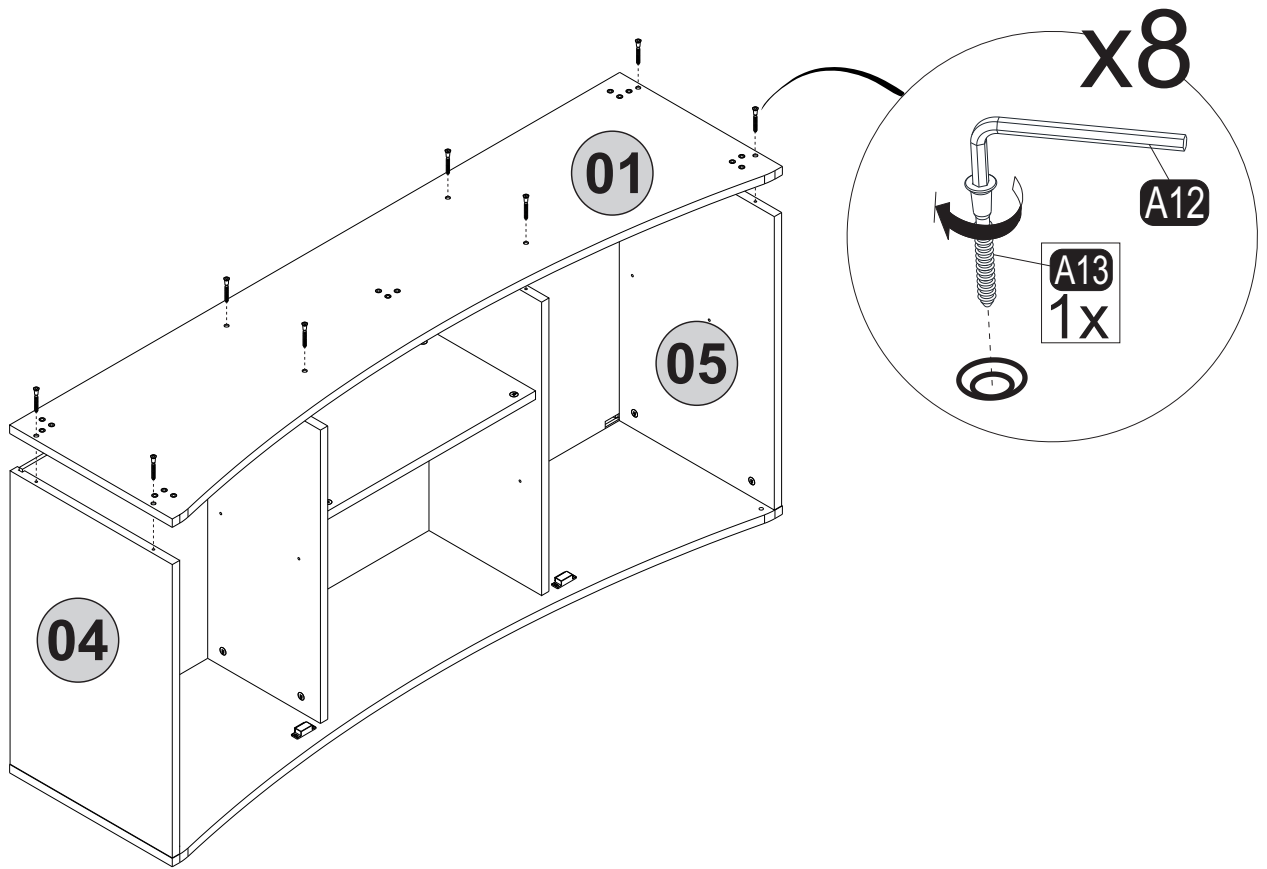
5



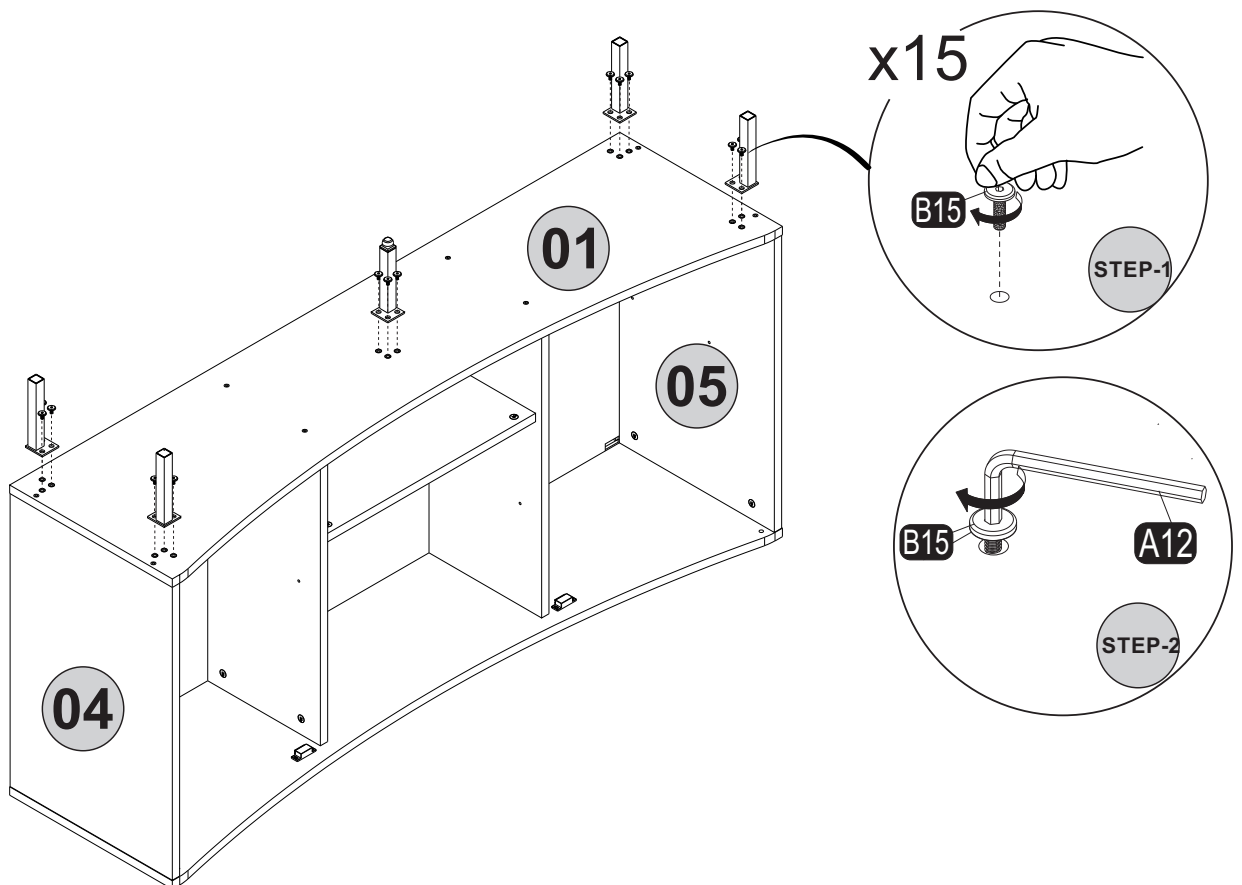
6



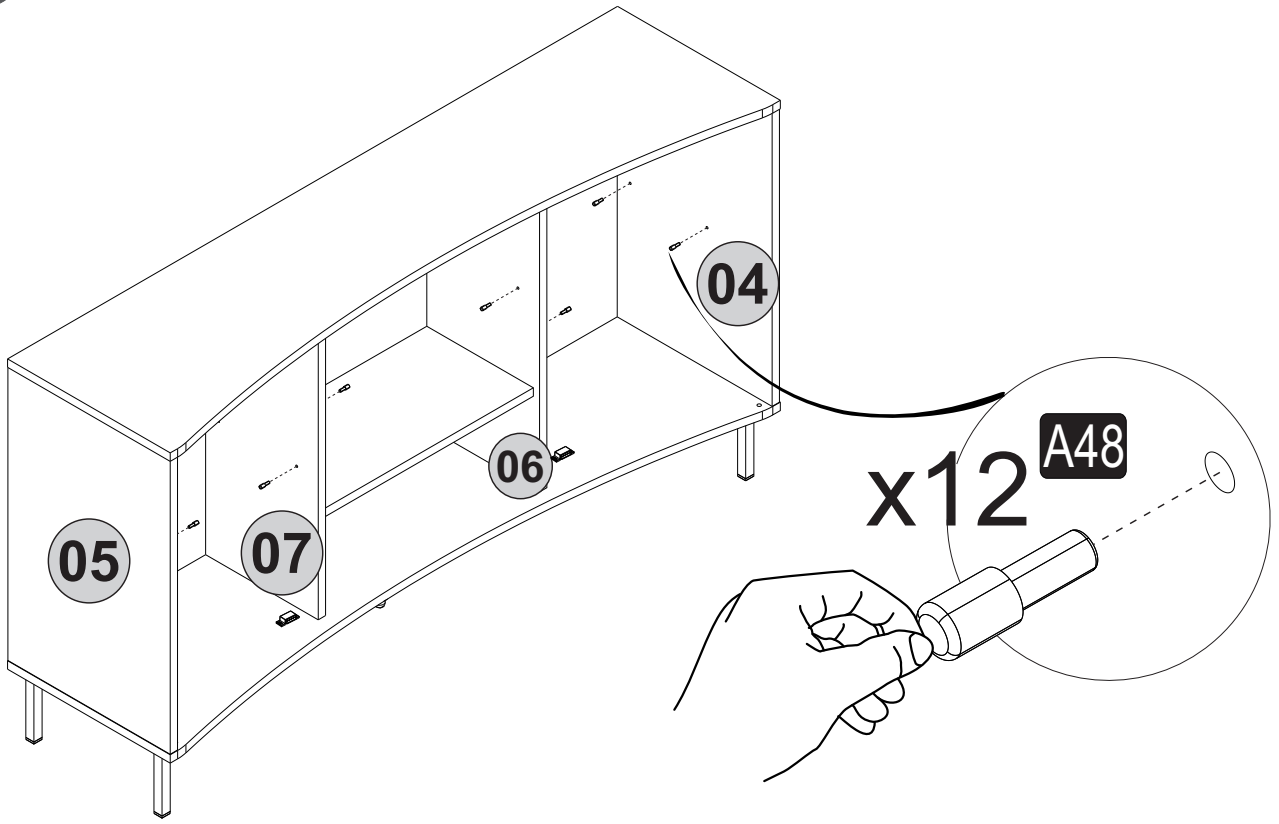
7



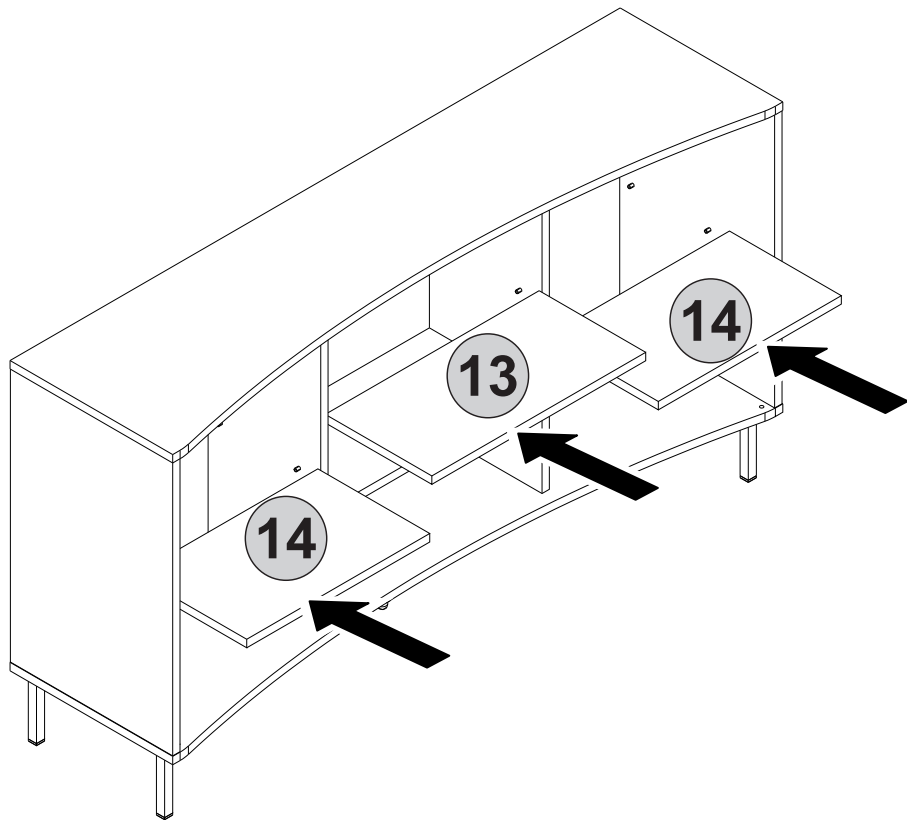
8



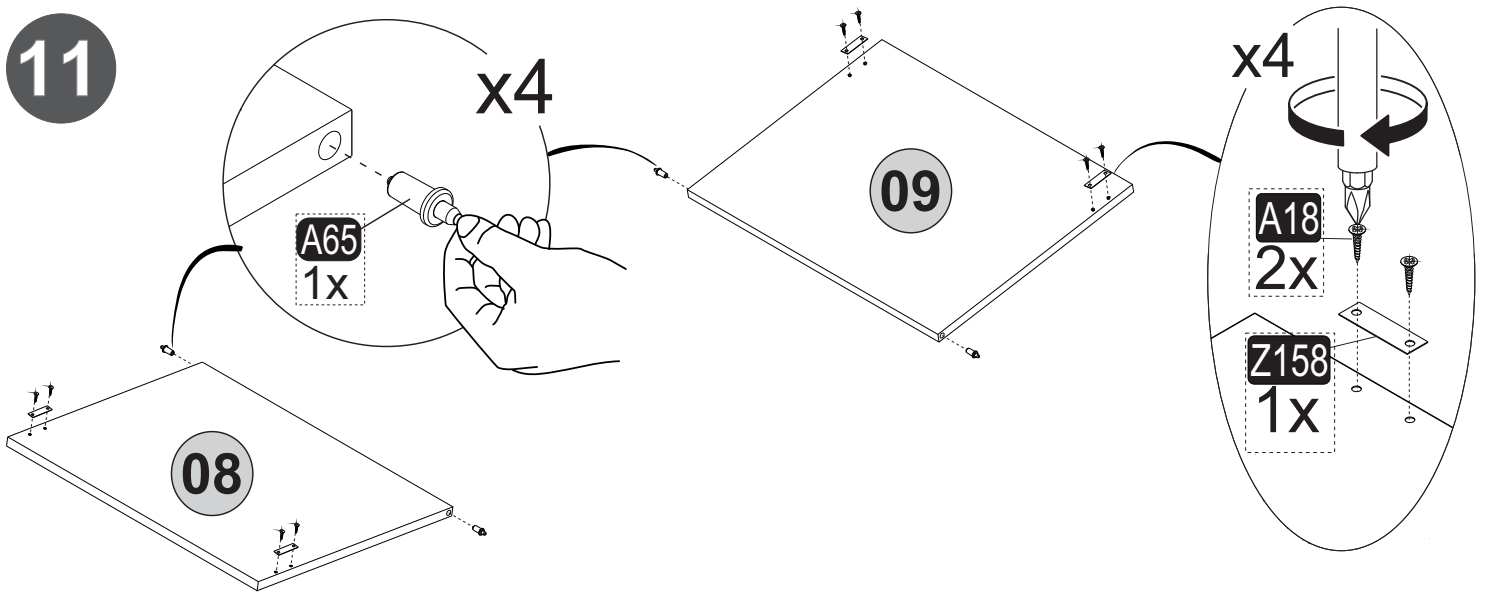
9



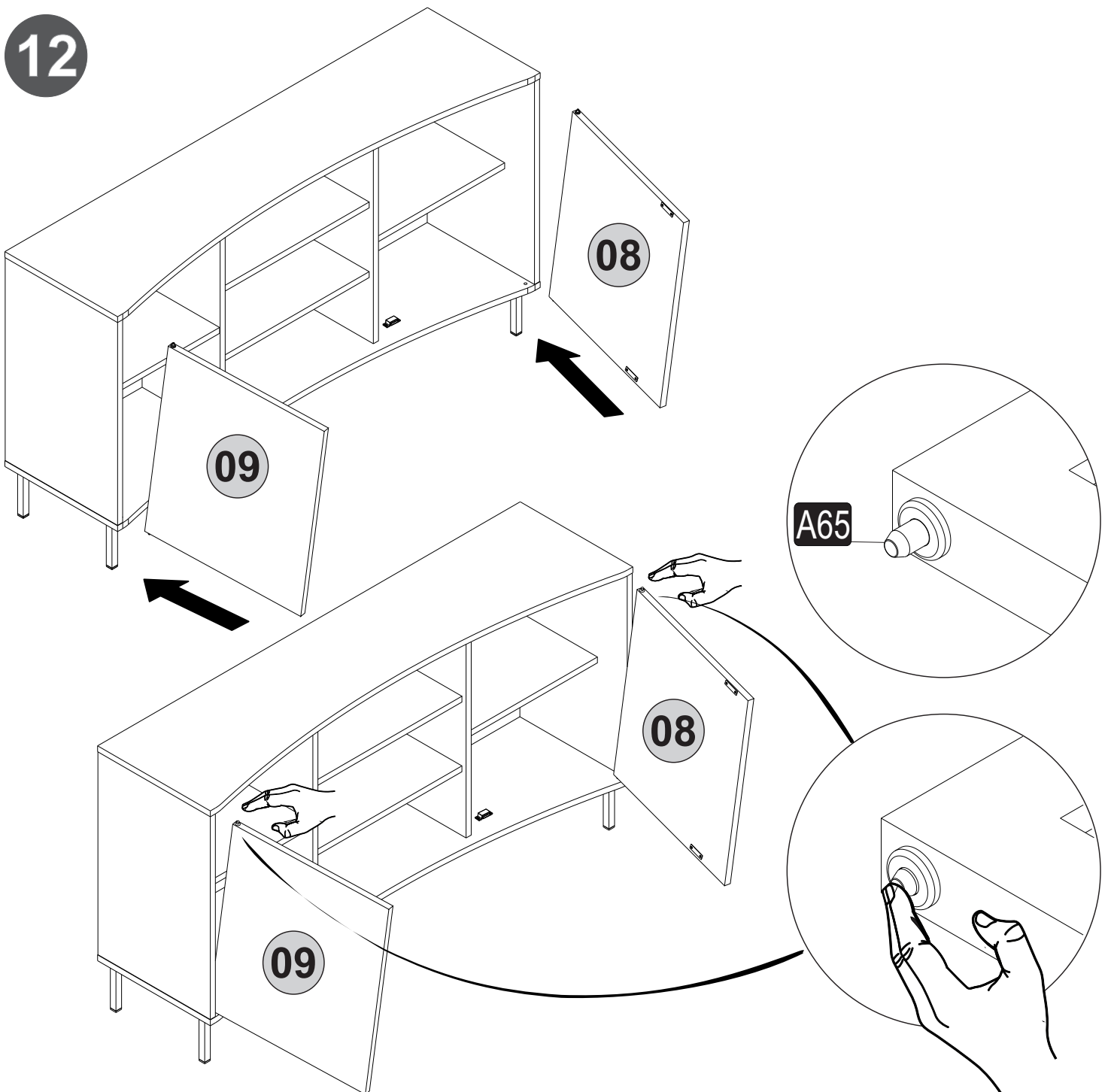
10

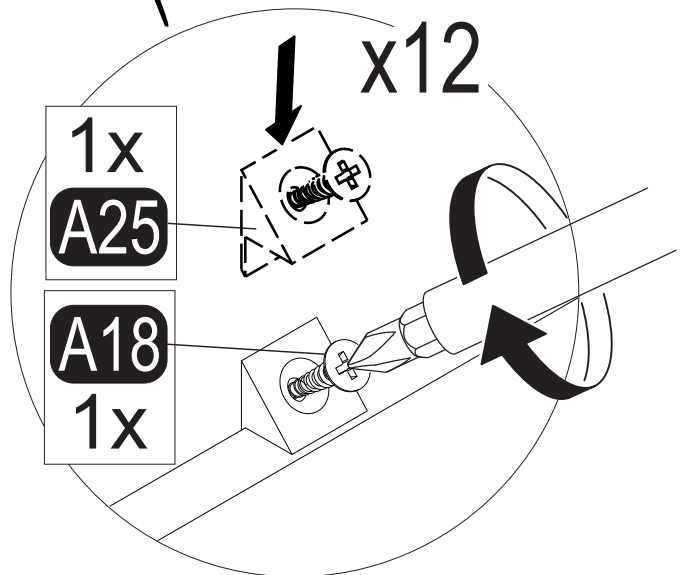
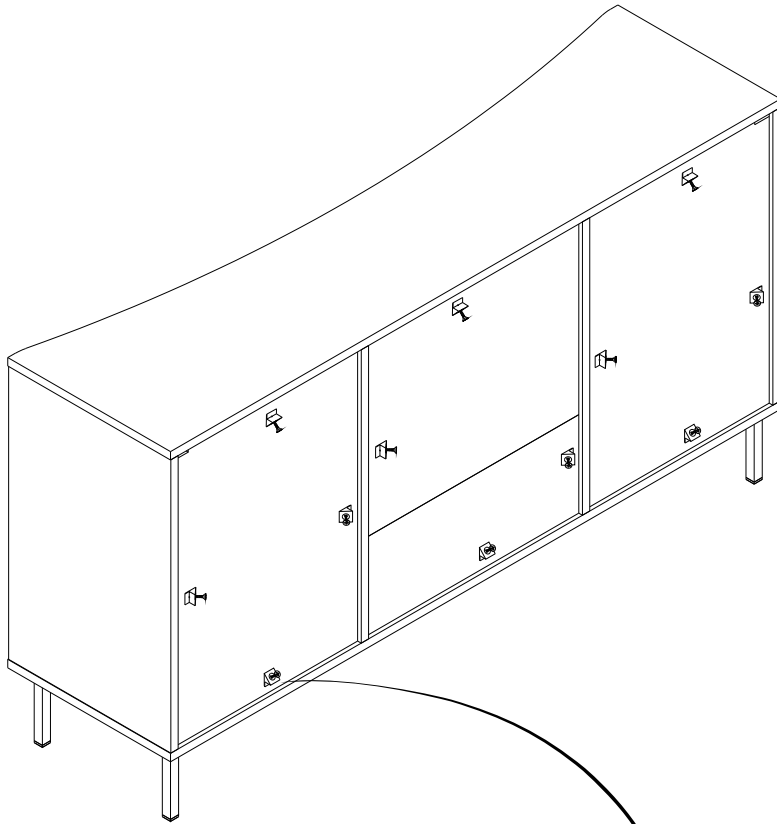


11



12





14

