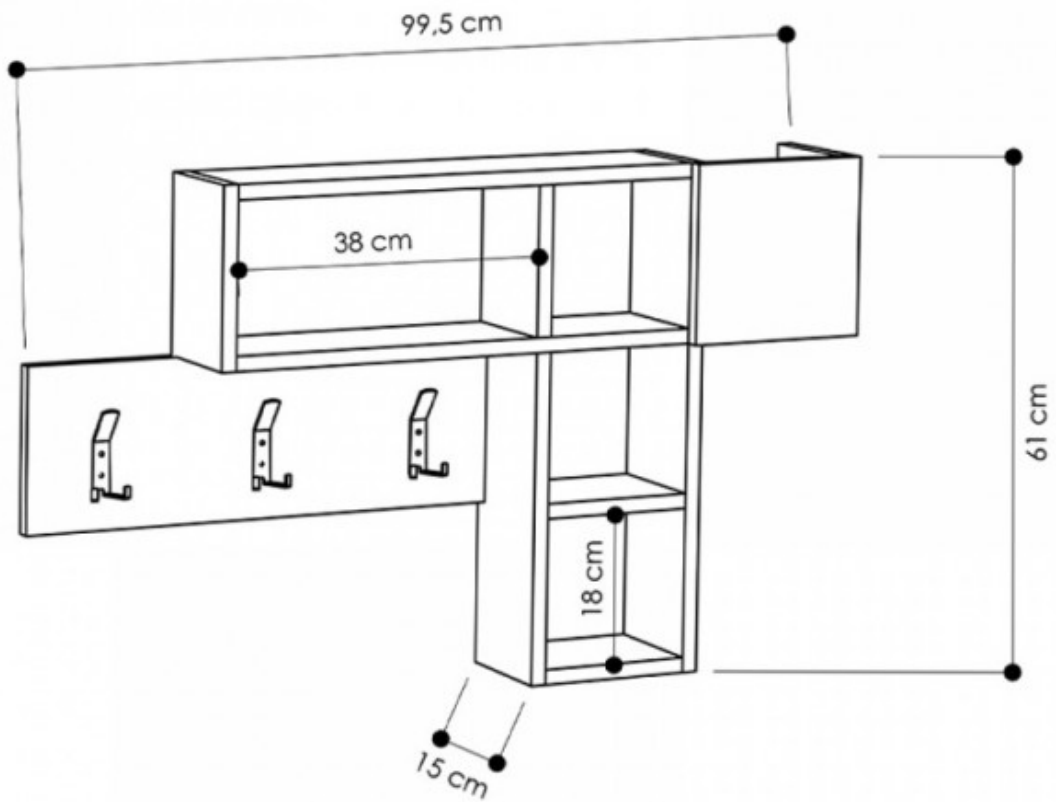



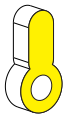


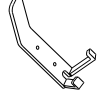

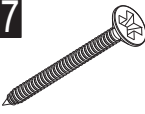

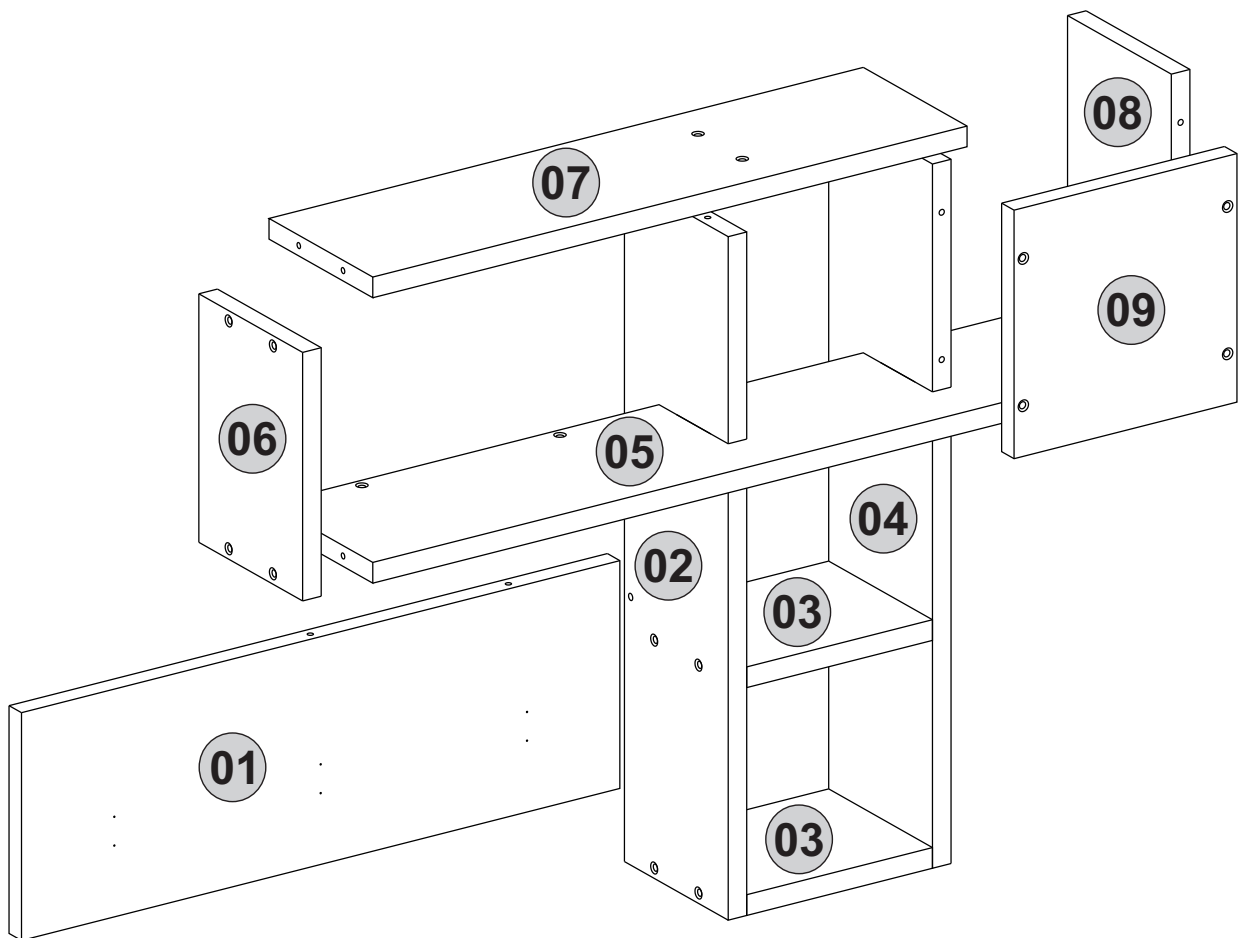


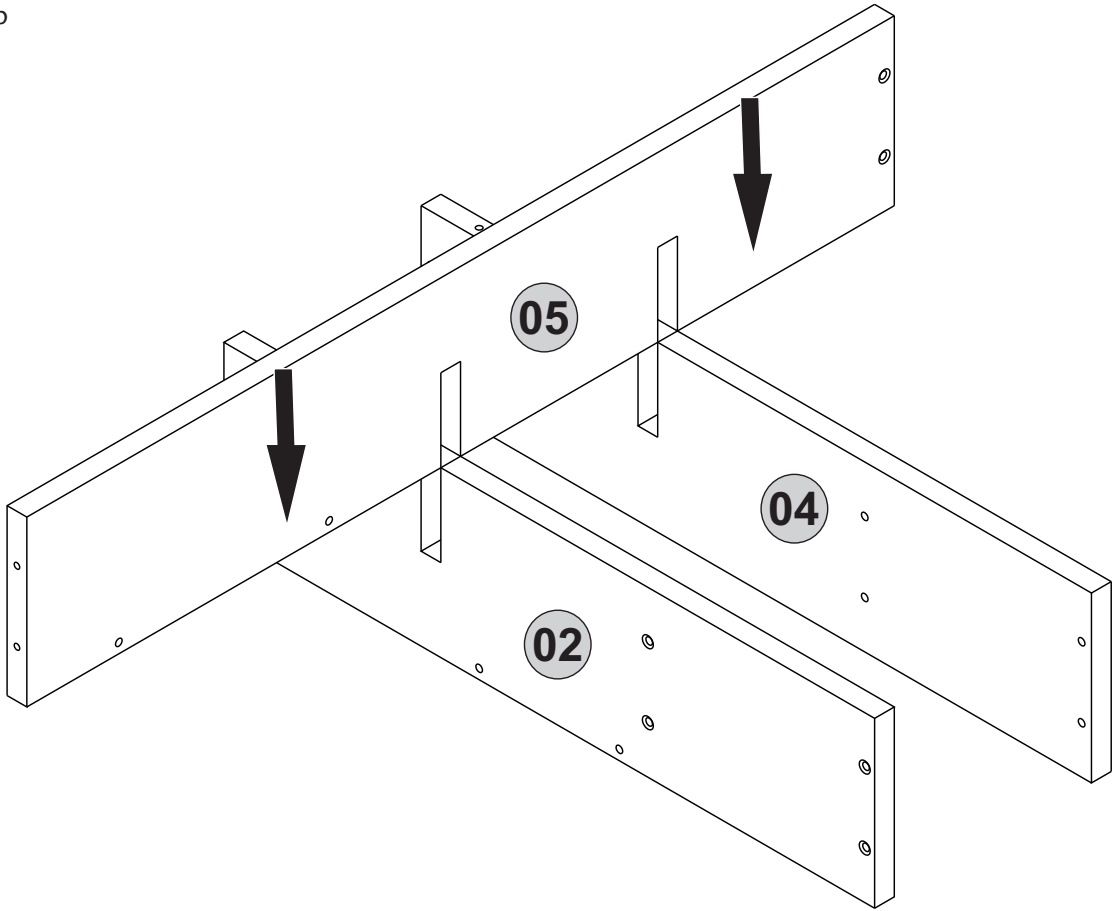
i GP037-0012,1



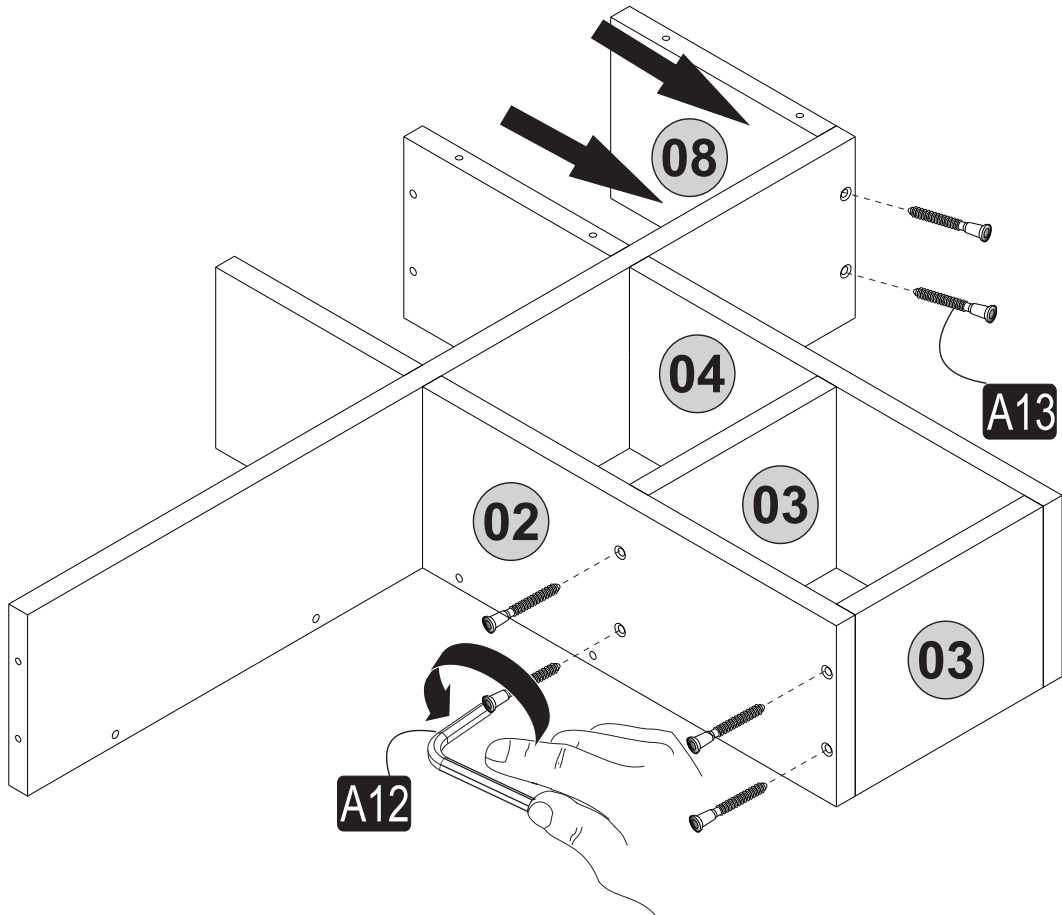
A13  50mm 26x 18mm	A12  4 sw 1x	A32  60/16 4x	Z18  Gbdy 4x	A11  3,5x30 6x
A06  C1-22x C2-4x	Z40  20x35x105 3x	A16  DbØ8 4x	A17  4x50 4x	A50  3,5x16(black) 8x



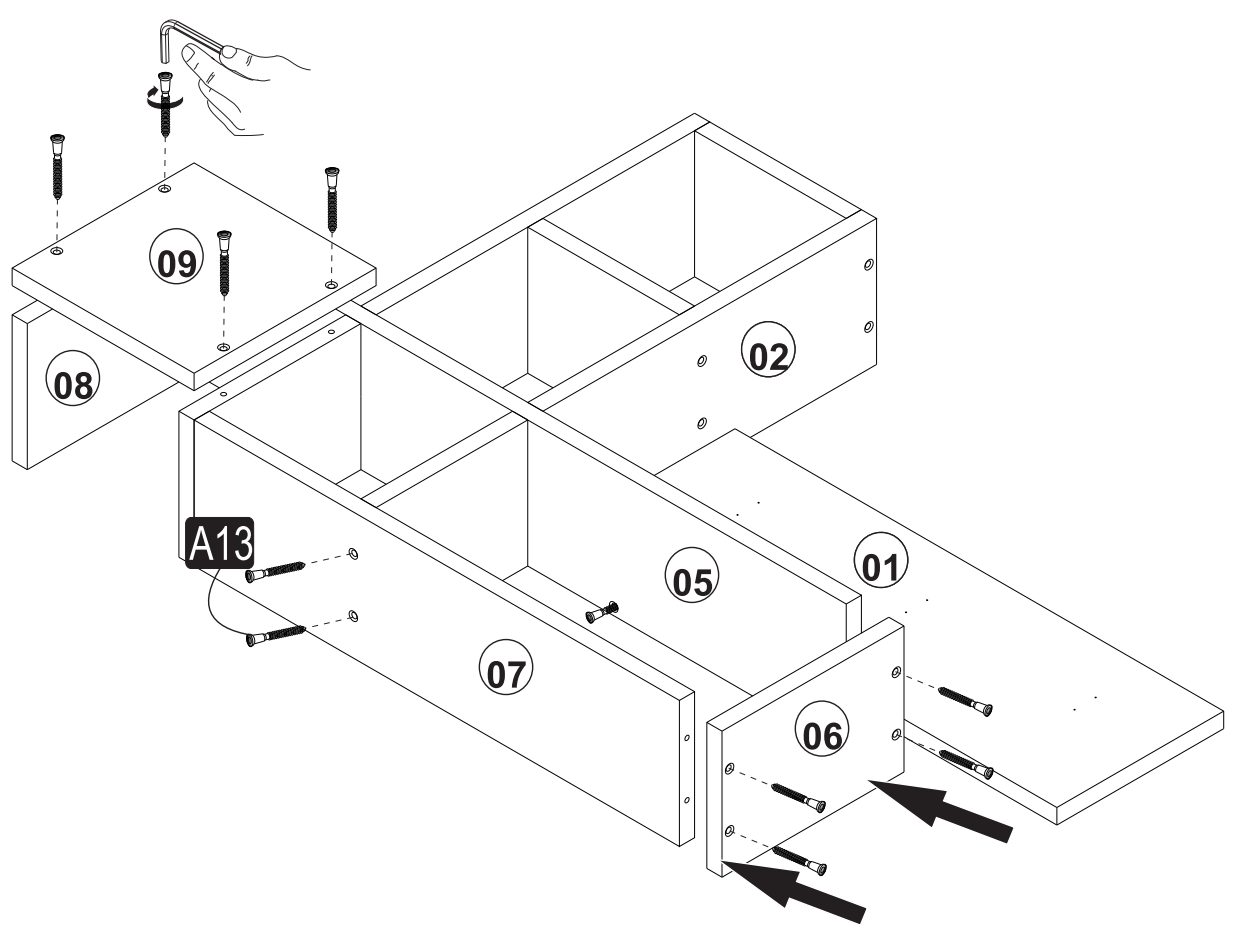
1. step



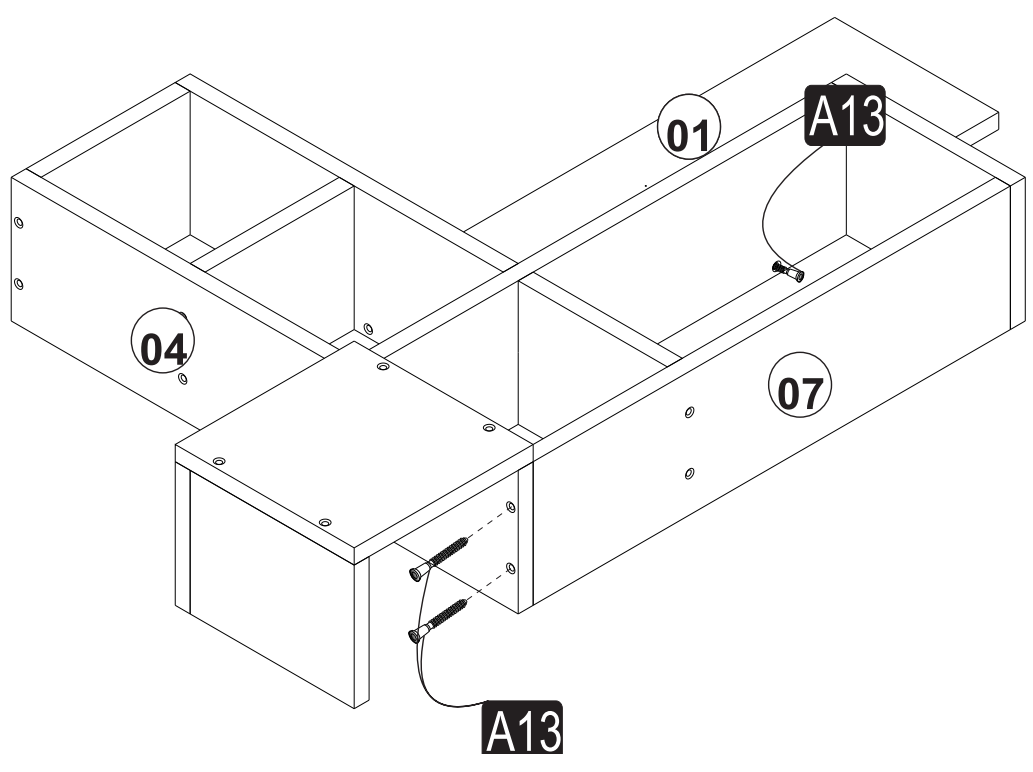
2. step



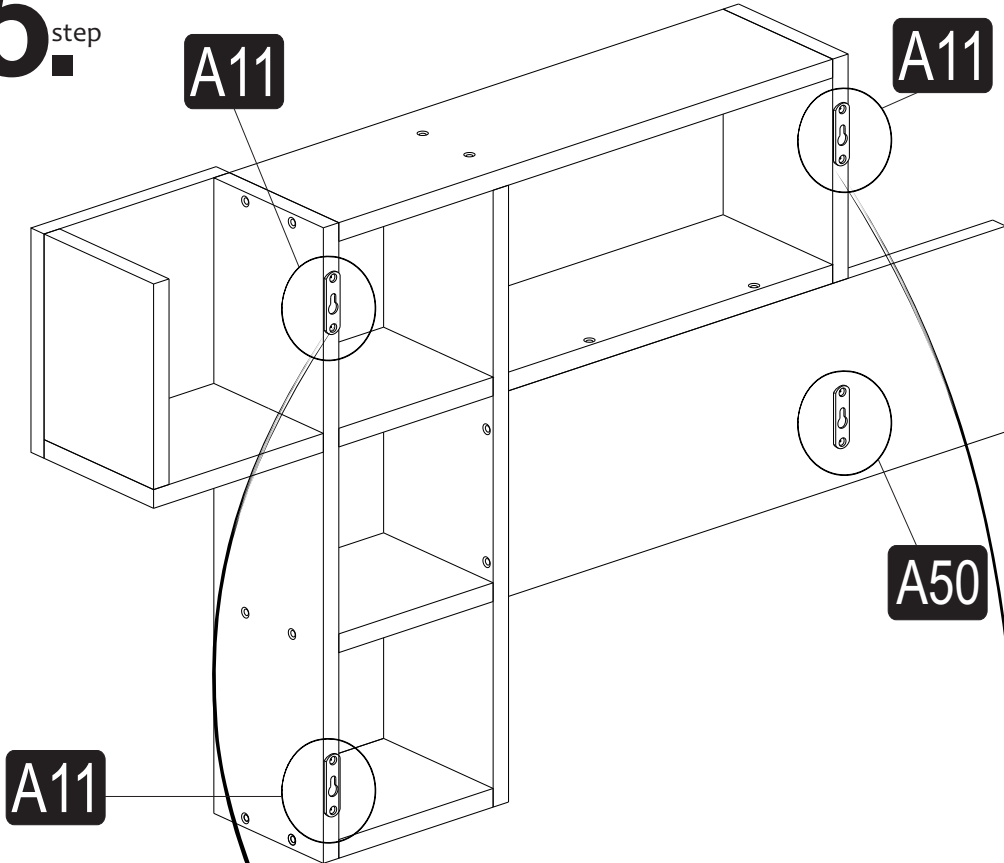
3._{step}



4._{step}

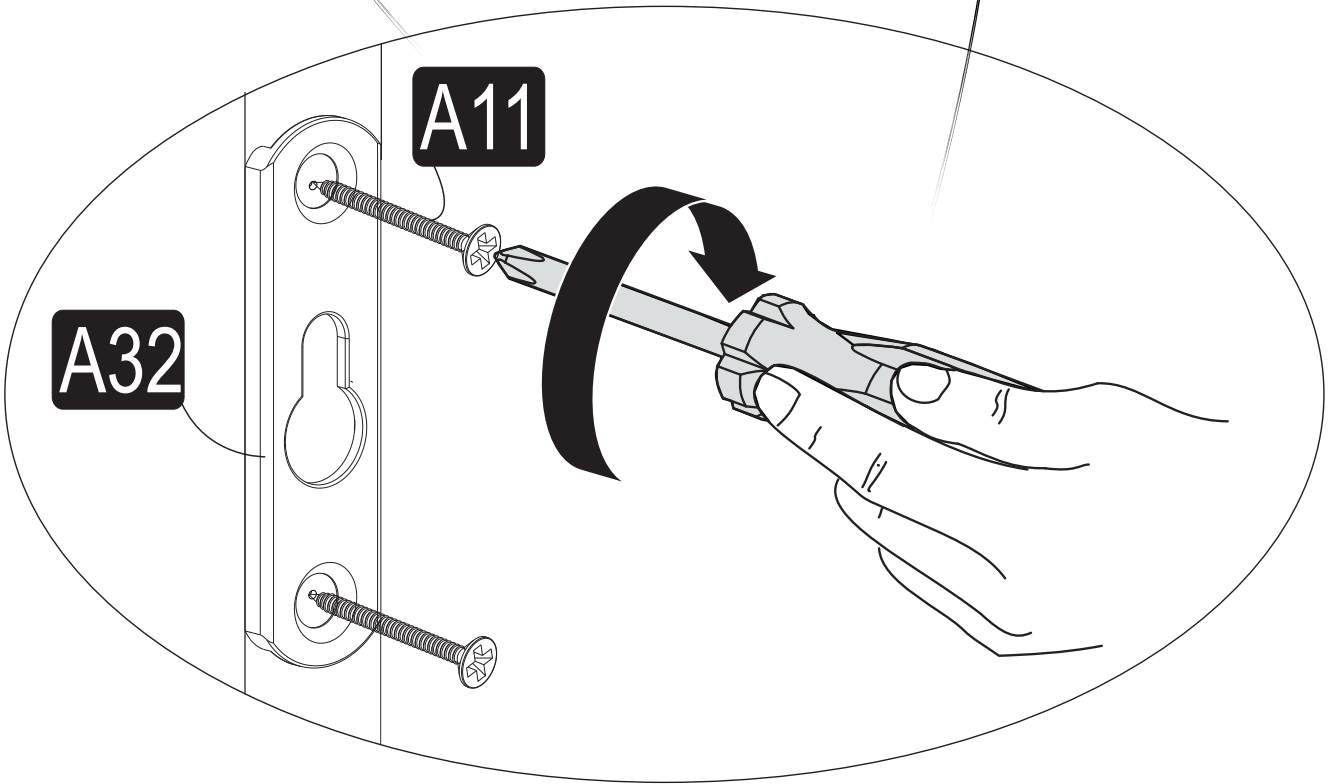


5.step

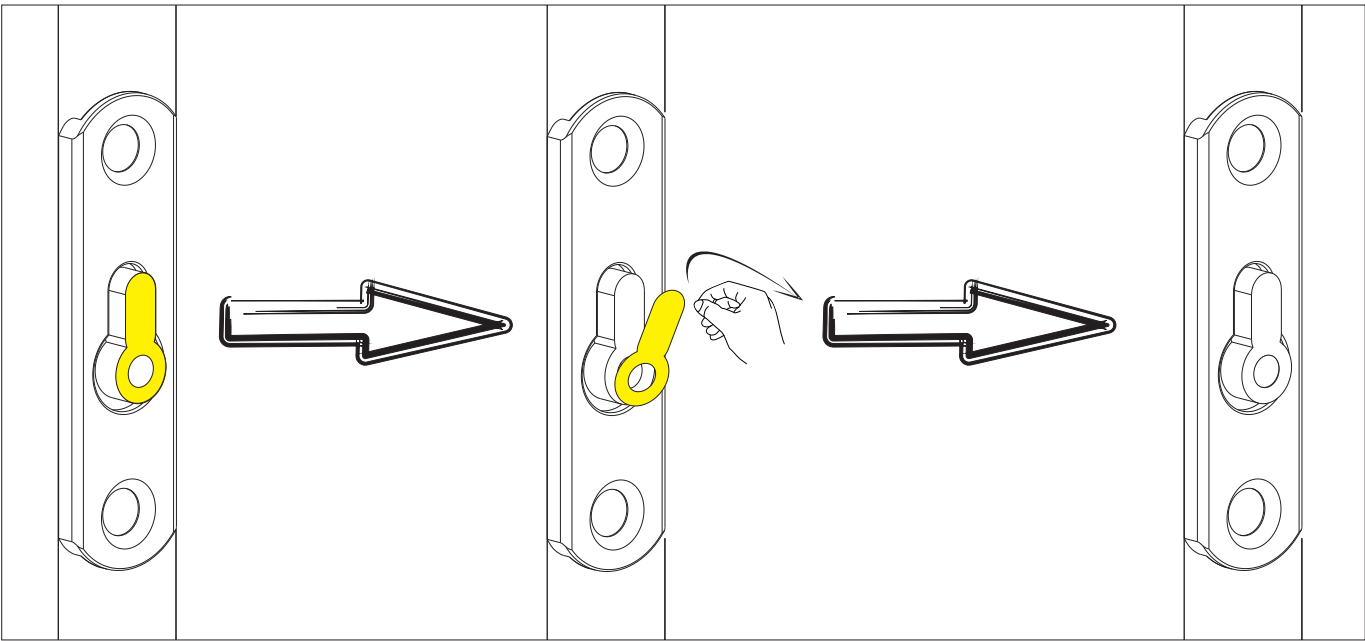
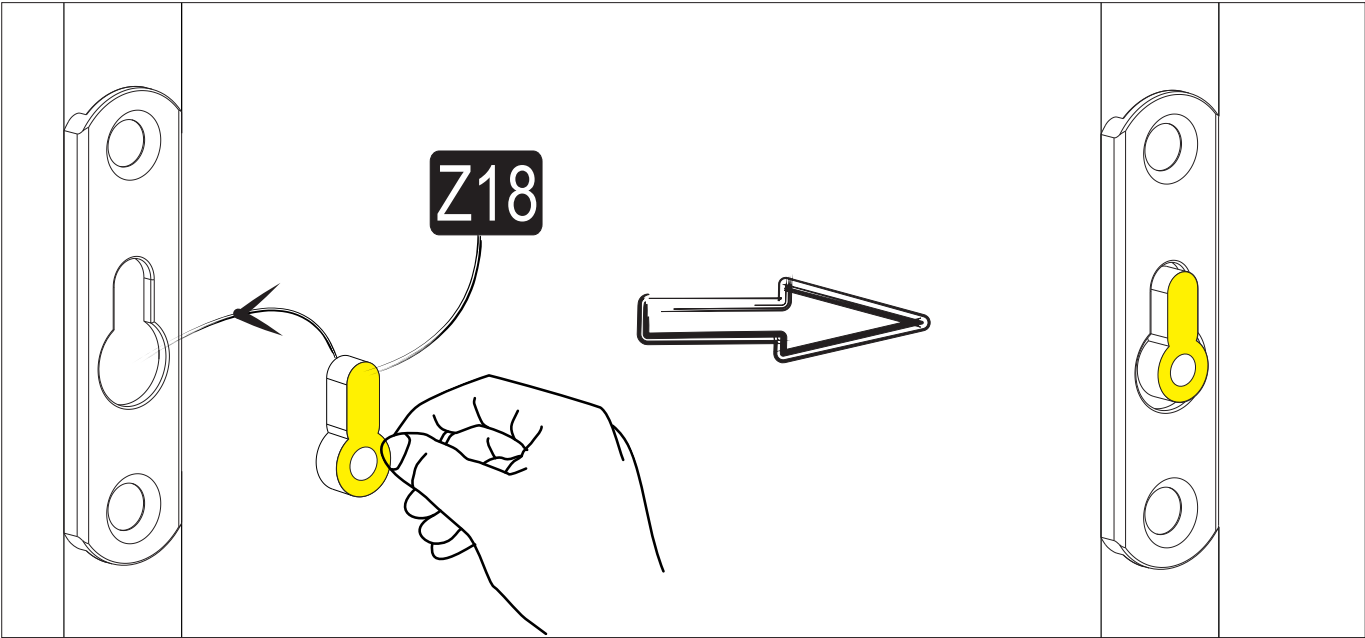


A legend box containing three screw types. The first is labeled A17 with dimensions 3,5x30. The second is labeled A11 with dimensions 3,5x30. The third is labeled A50 with dimensions 3,5x16 and is marked with a warning triangle and the text "(black)".

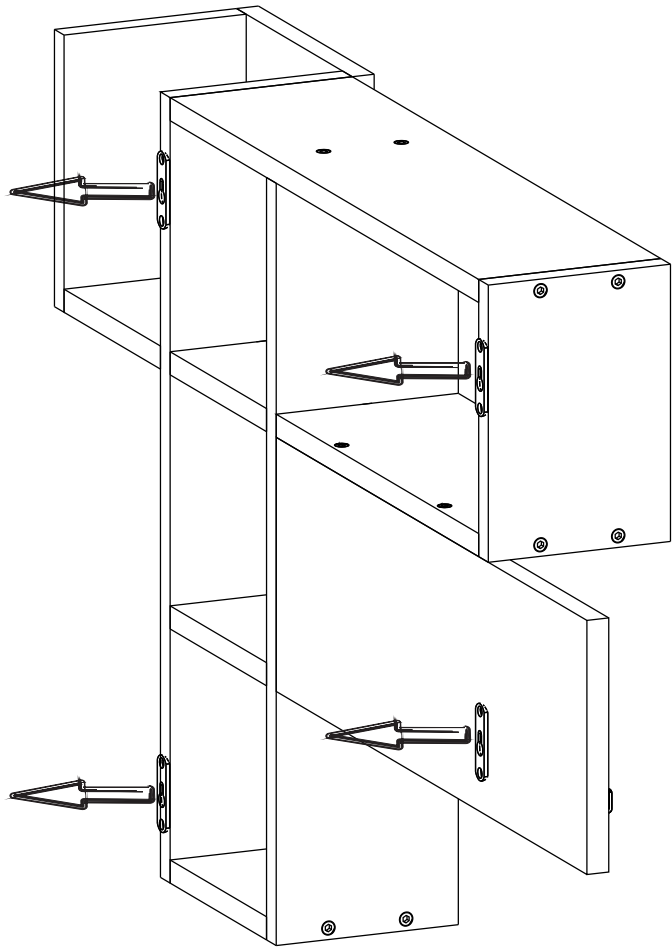
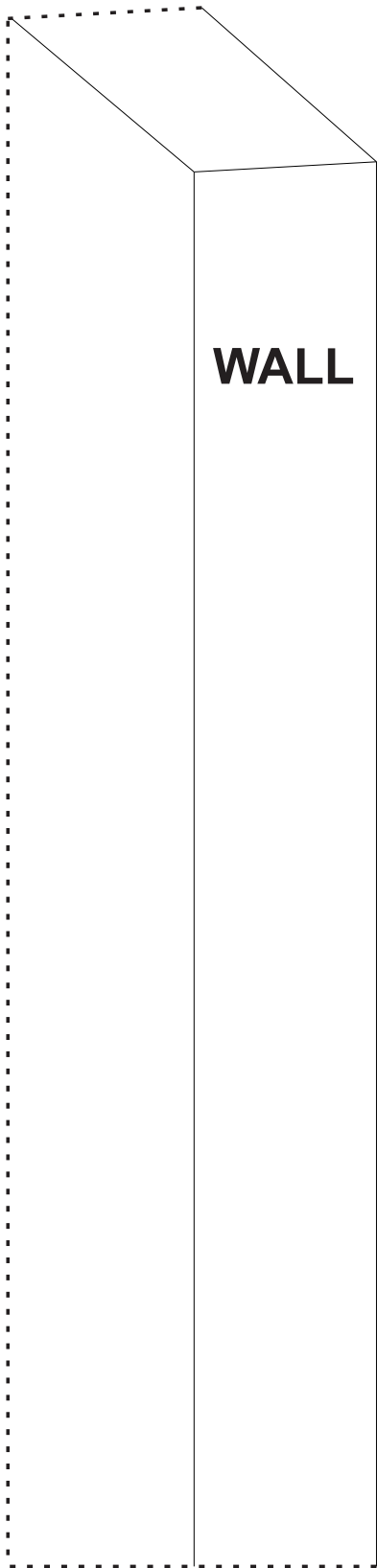
A17	A11	A50
3,5x30	3,5x30	3,5x16



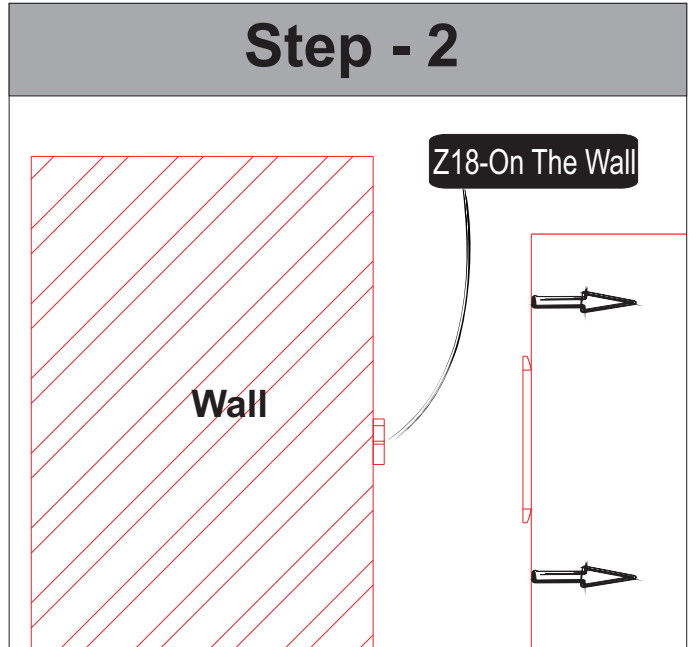
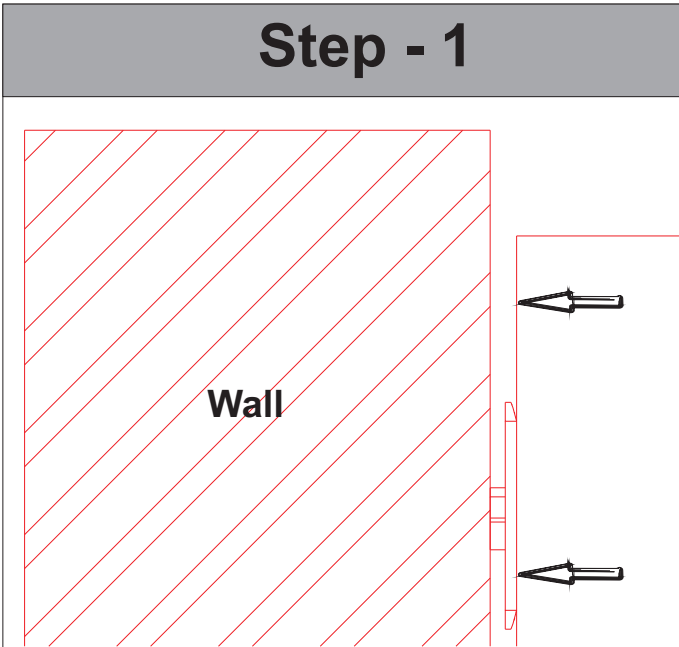
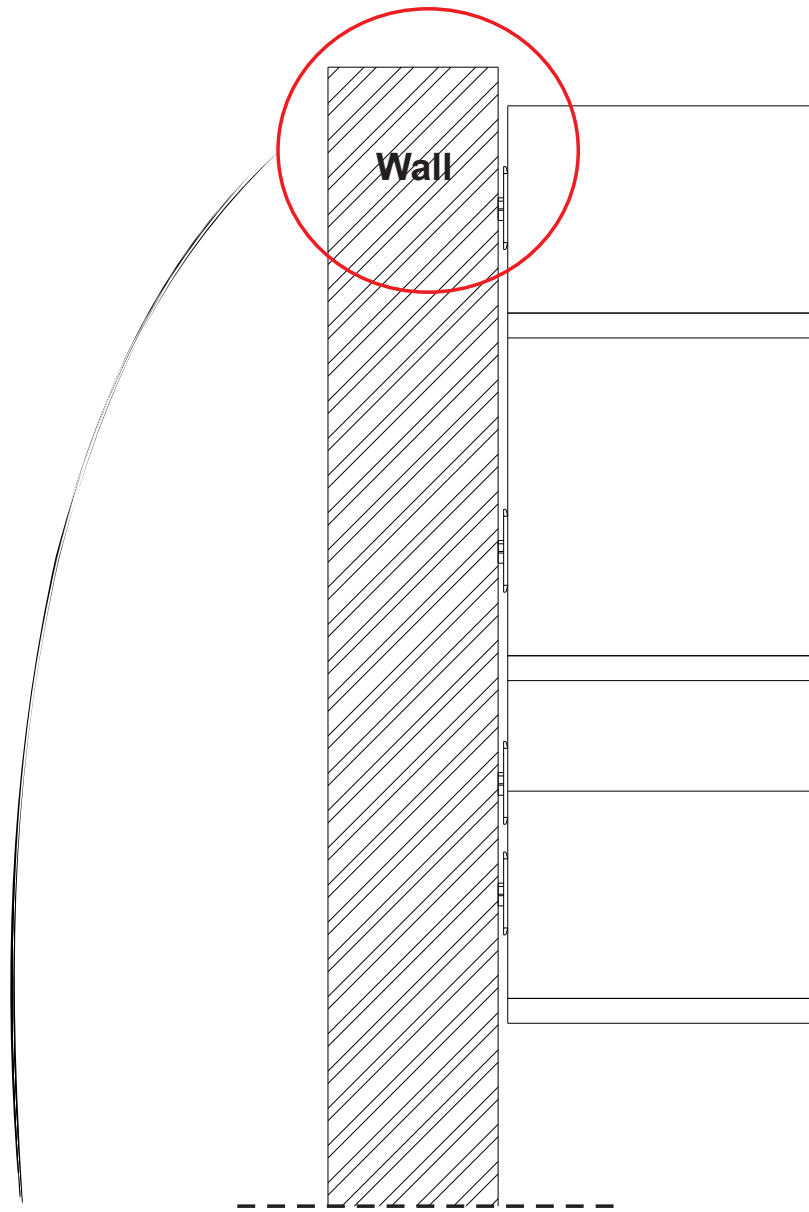
6_{step}



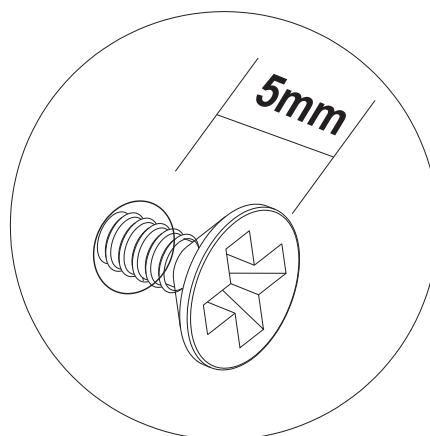
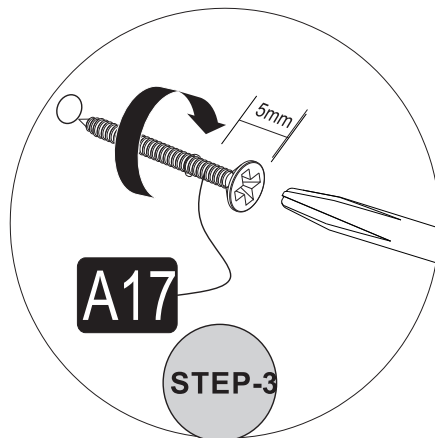
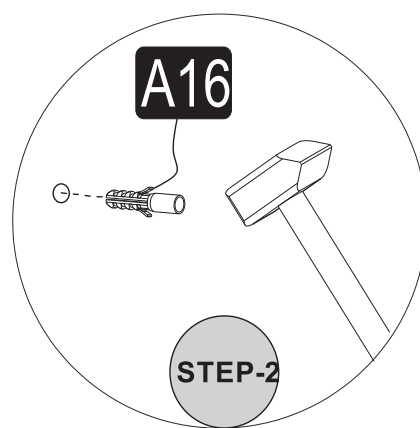
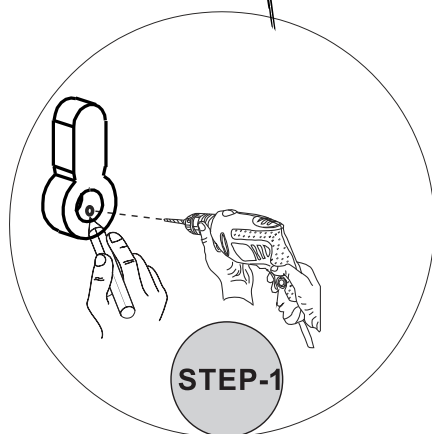
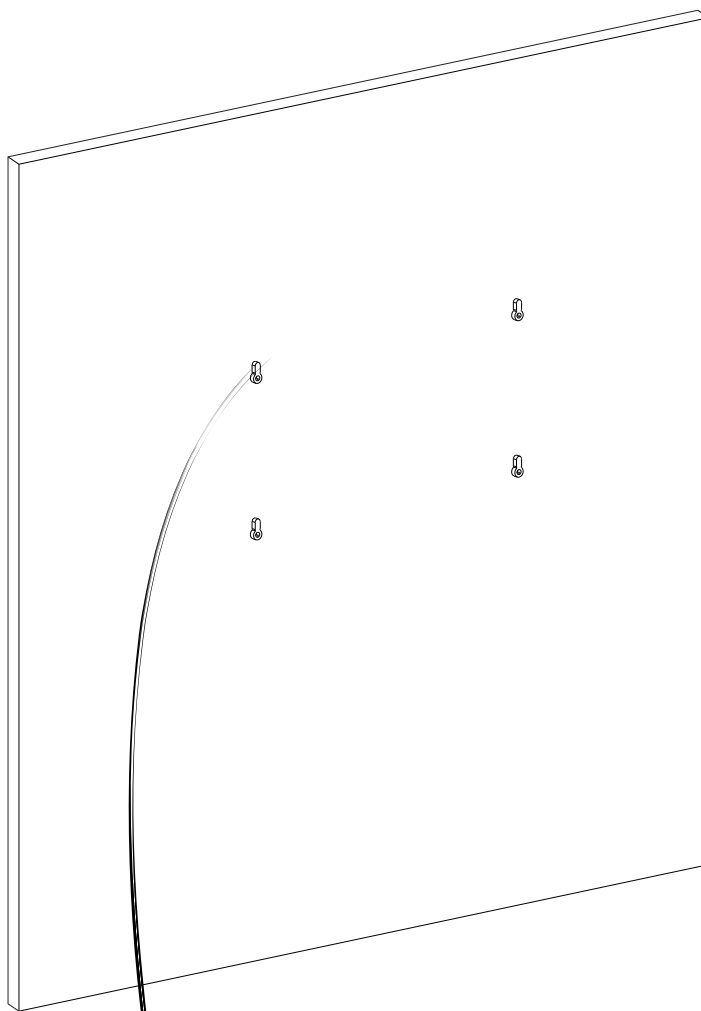
7 step



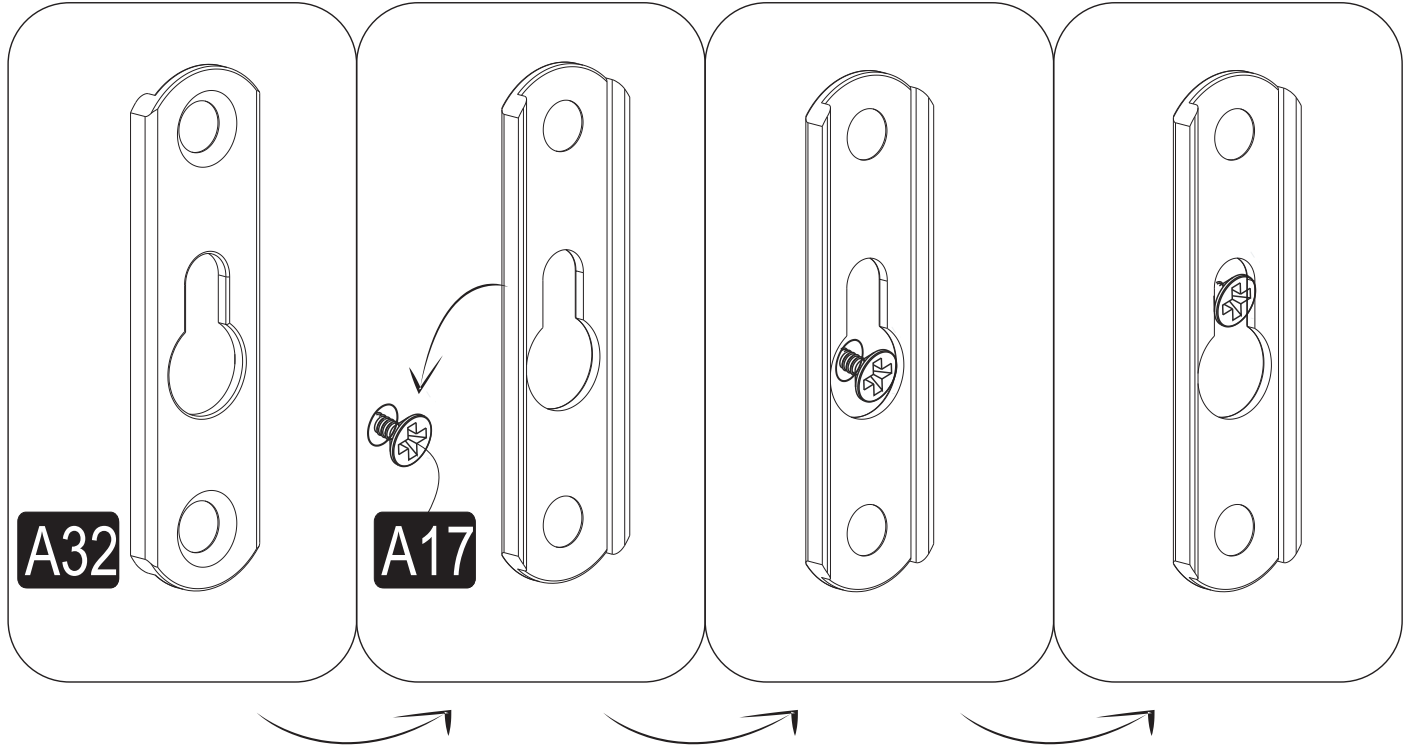
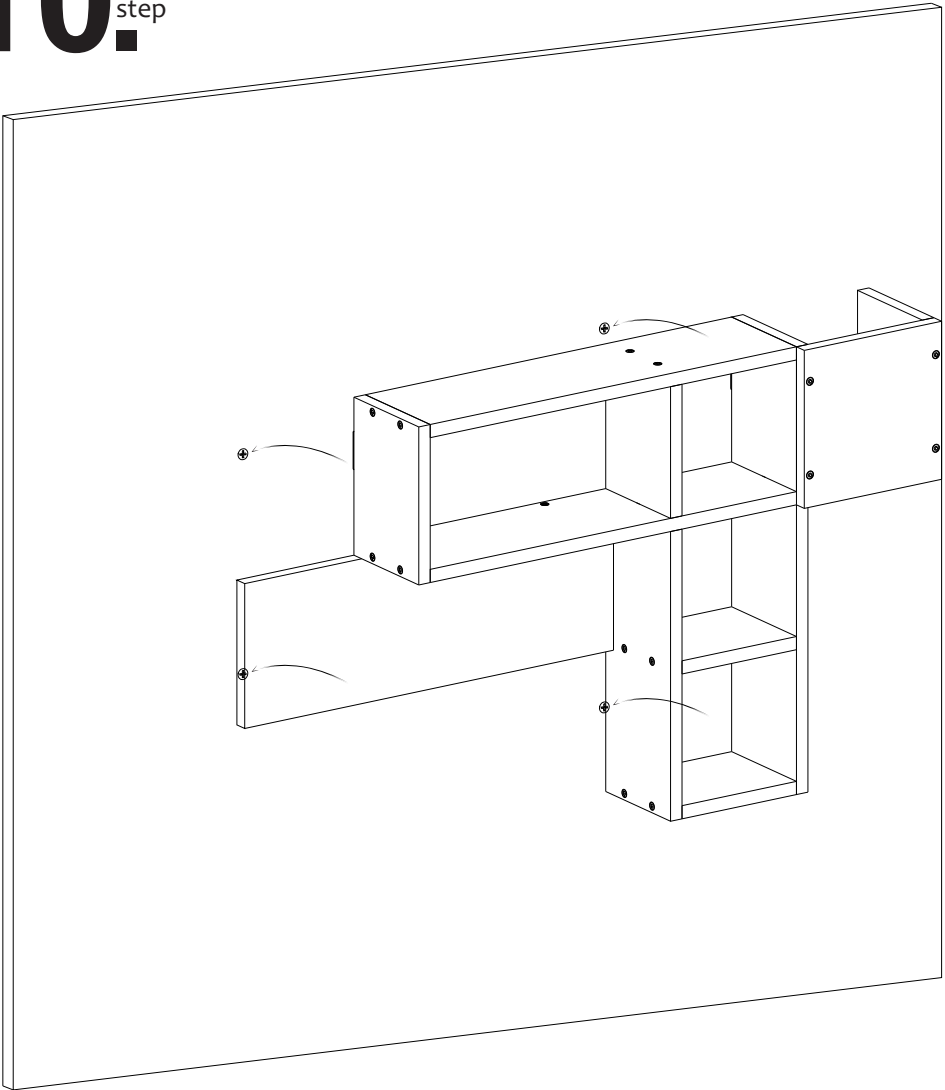
8_{step}



9.^{step}



10.^{step}



11.^{step}

