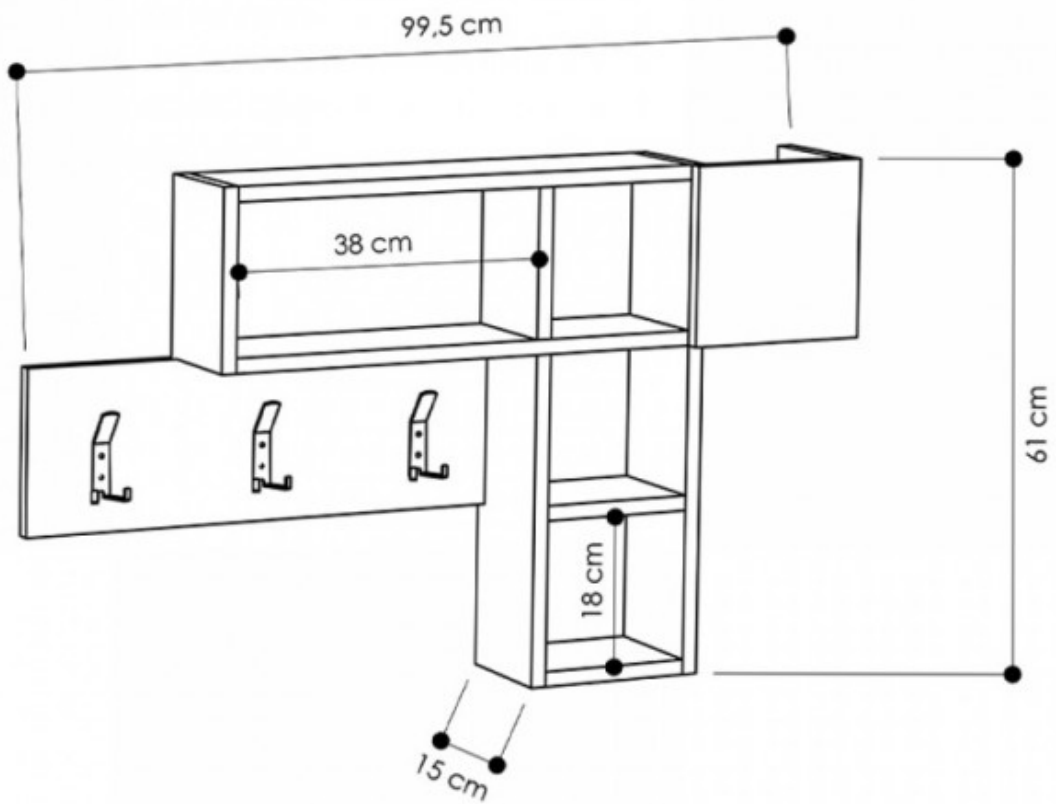



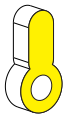


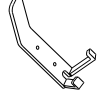

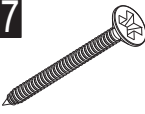

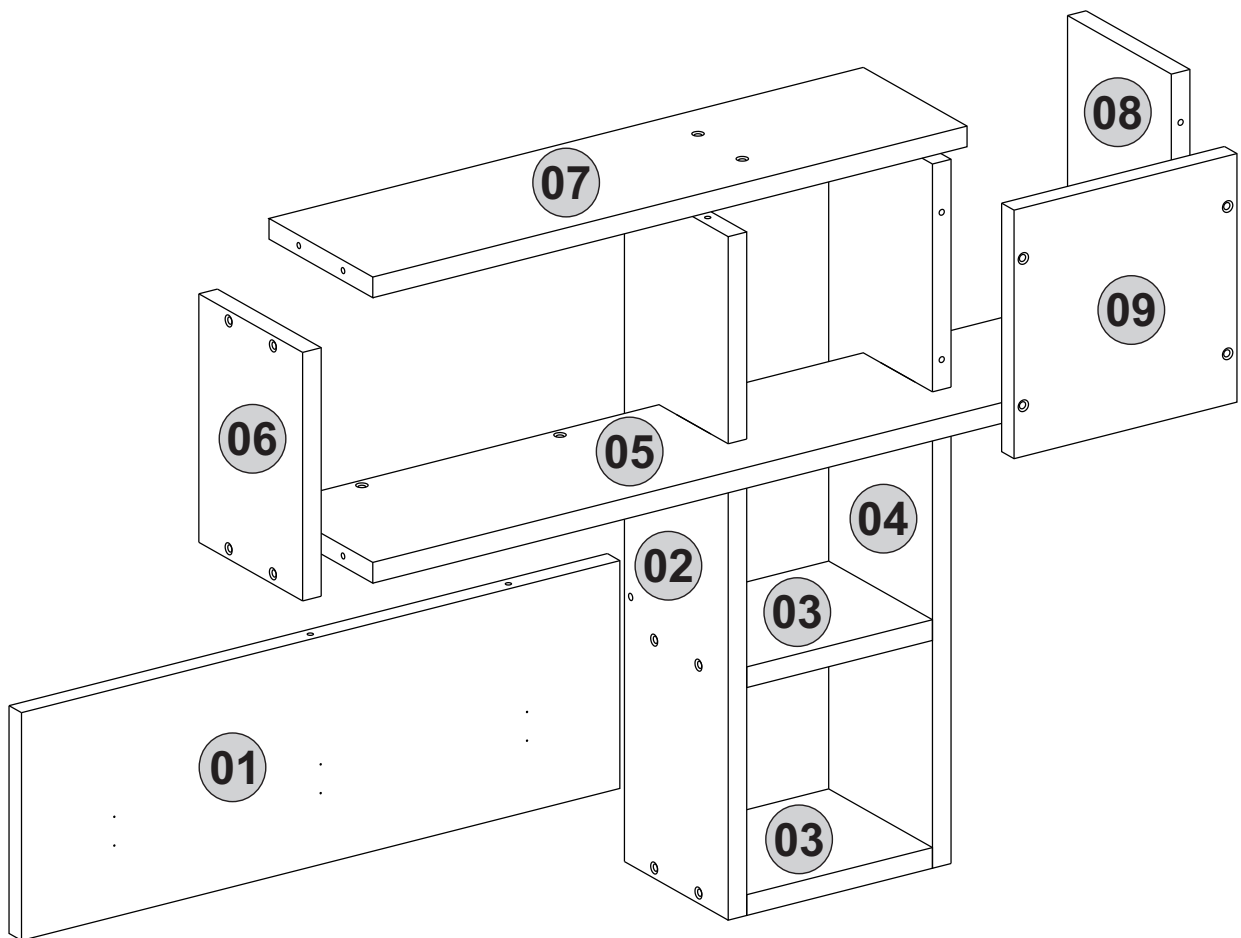


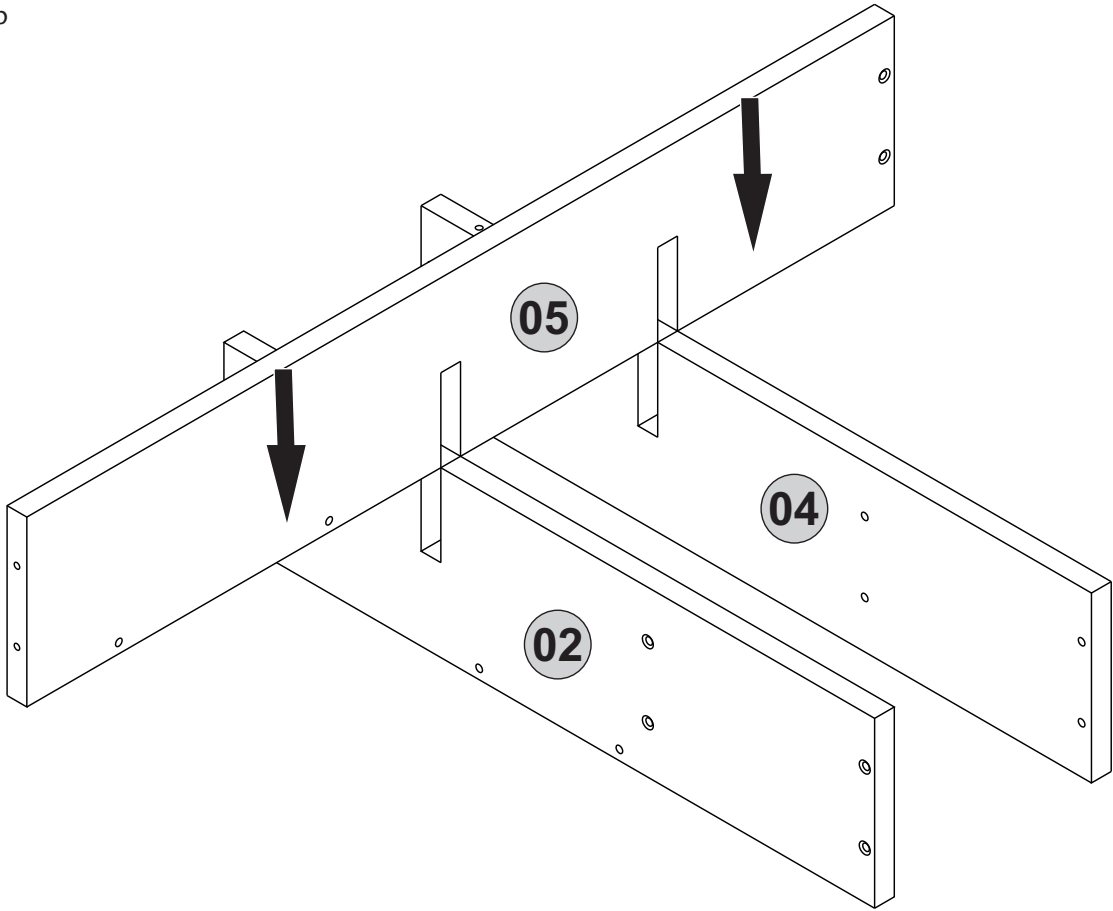
**i** GP037-0012,2



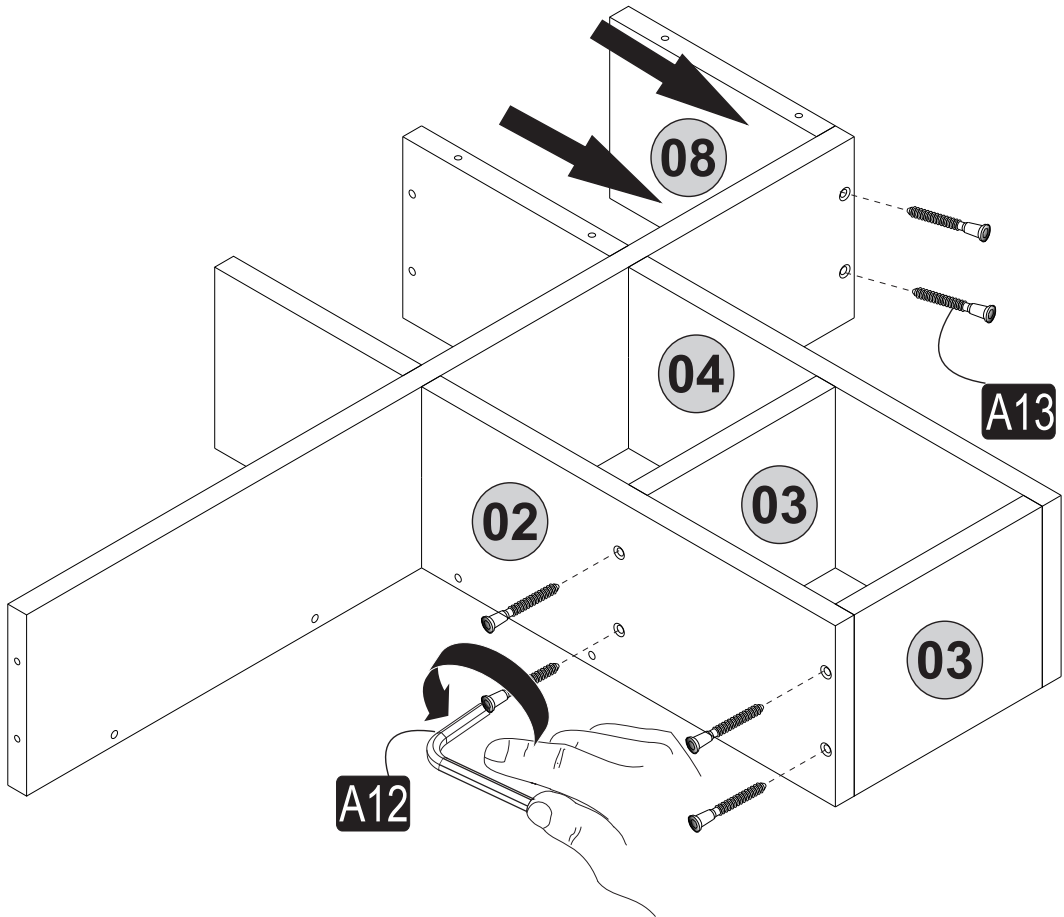
<b>A13</b>  50mm 26x 18mm	<b>A12</b>  4 sw 1x	<b>A32</b>  60/16 4x	<b>Z18</b>  Gbdy 4x	<b>A11</b>  3,5x30 6x
<b>A06</b>  C1-22x C2-4x	<b>Z40</b>  20x35x105 3x	<b>A16</b>  DbØ8 4x	<b>A17</b>  4x50 4x	<b>A50</b>  3,5x16(black) 8x



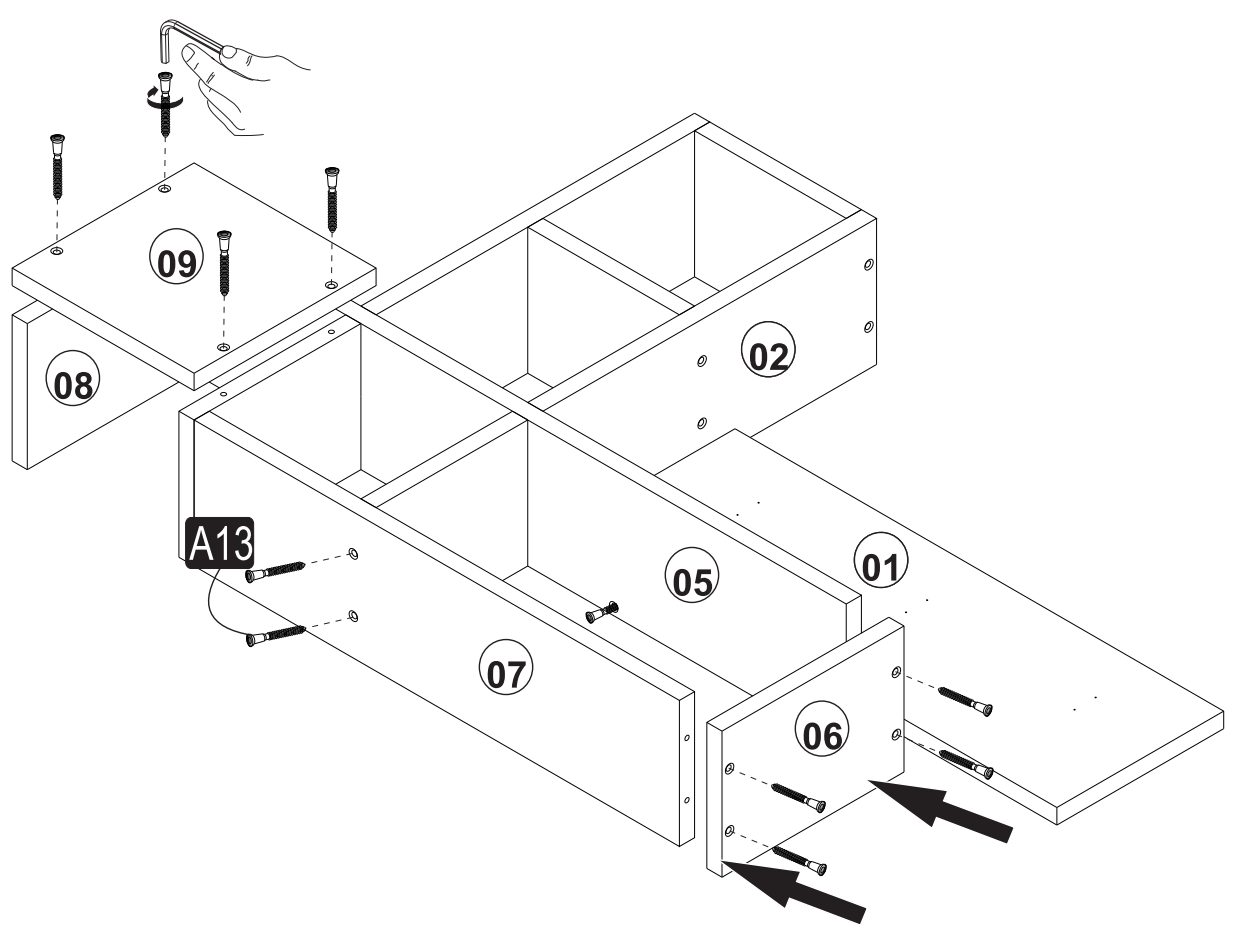
**1.** step



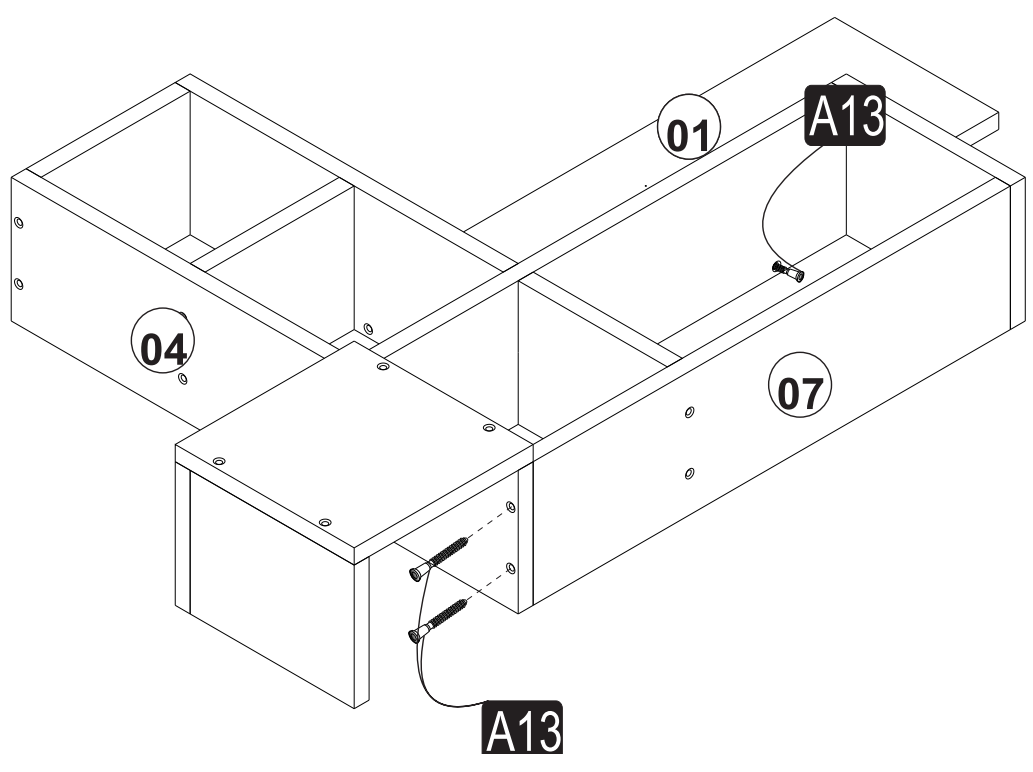
**2.** step



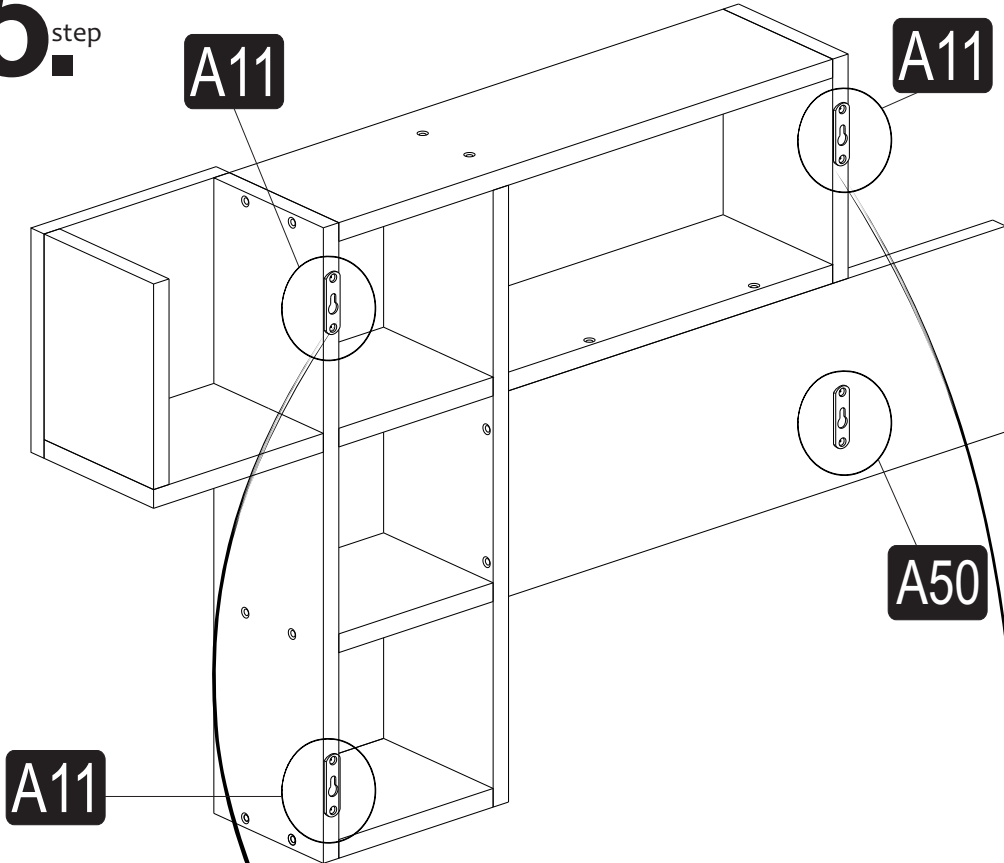
# 3.<sub>step</sub>



# 4.<sub>step</sub>

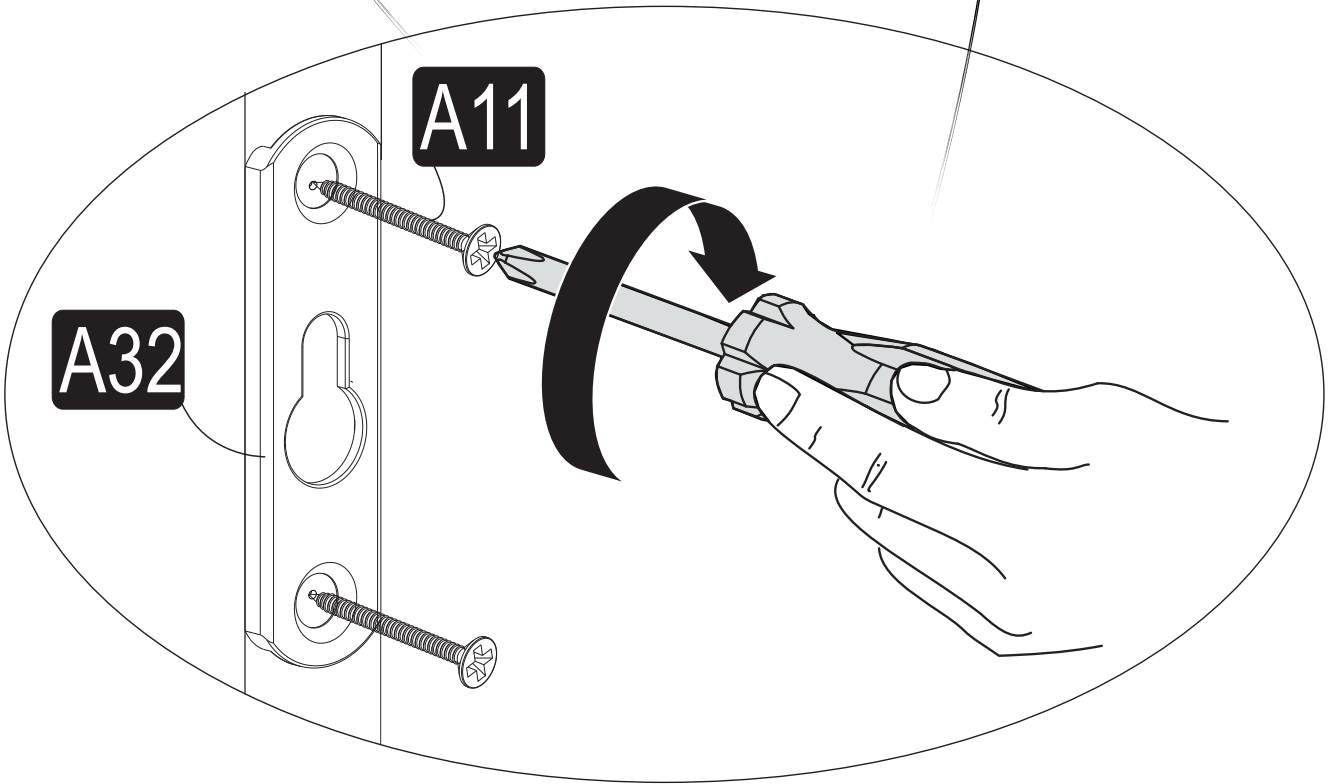


**5.**step

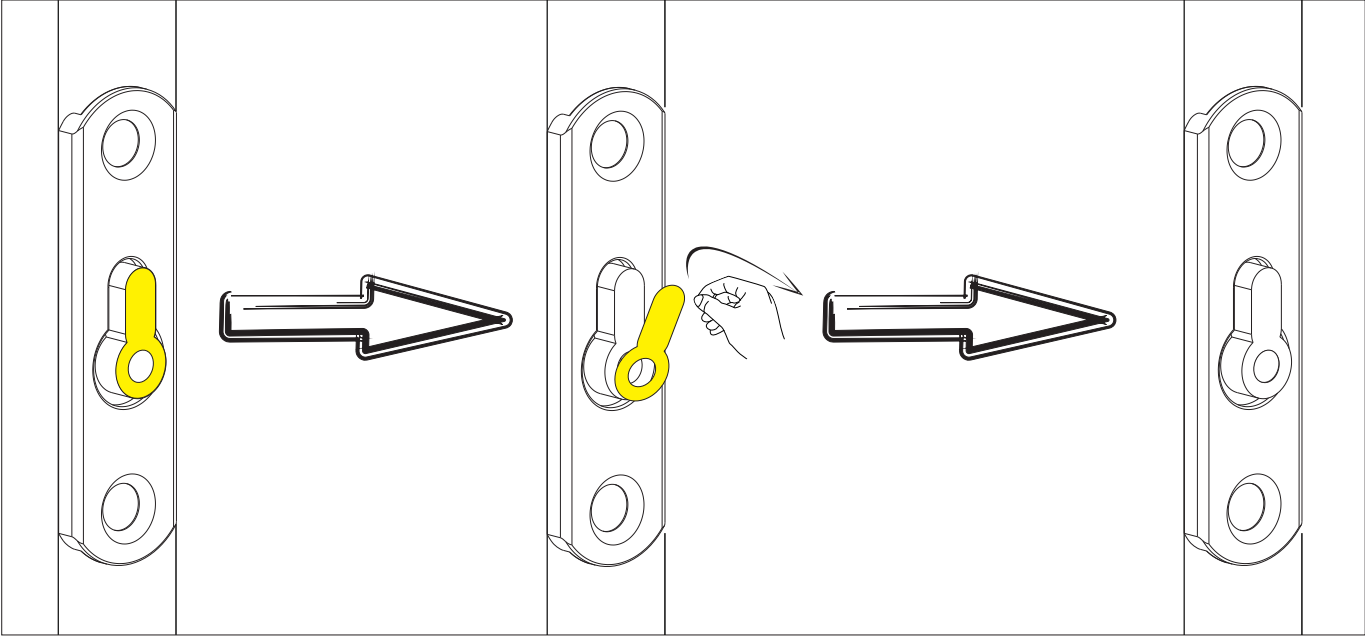
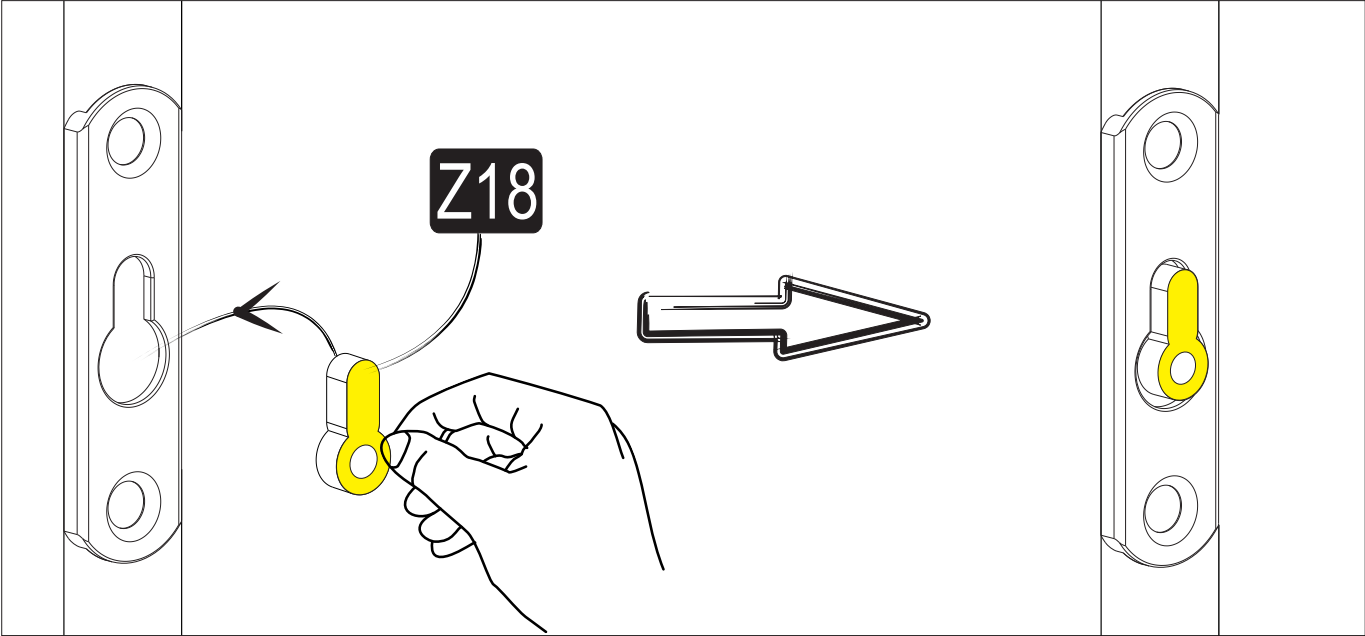


A legend box containing three screw types and a warning symbol. The screws are labeled A17 (3,5x30), A11 (3,5x30), and A50 (3,5x16). The A11 screw is noted as '(black)'. A warning triangle with an exclamation mark is also present.

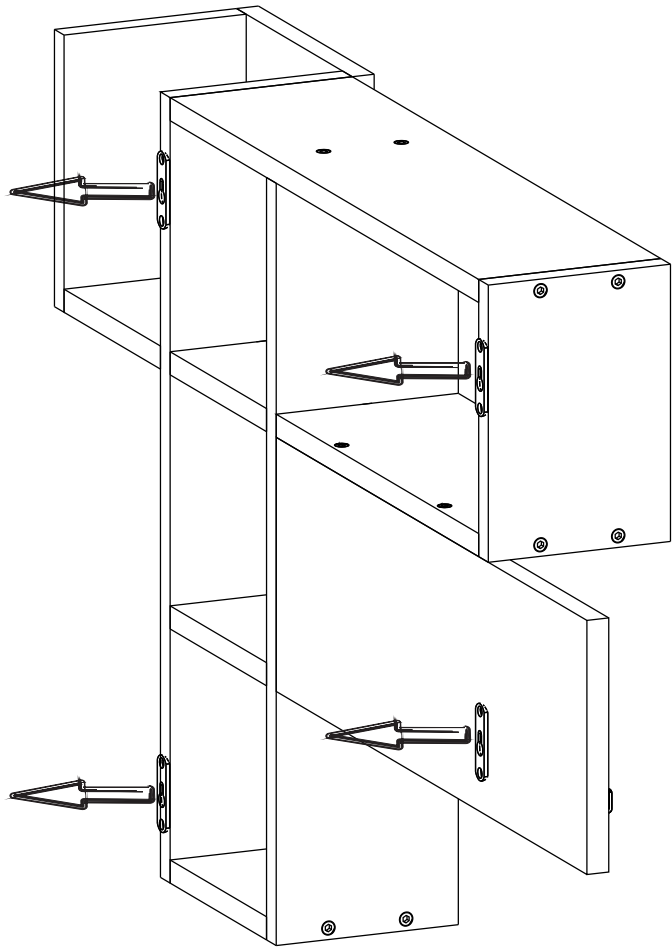
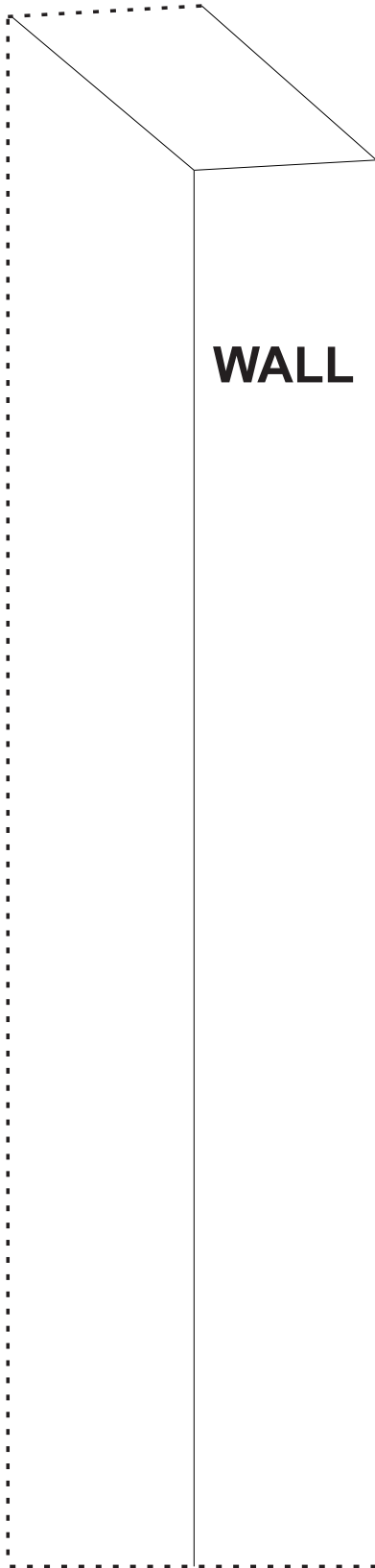
A17	A11	A50	
3,5x30	3,5x30	3,5x16	



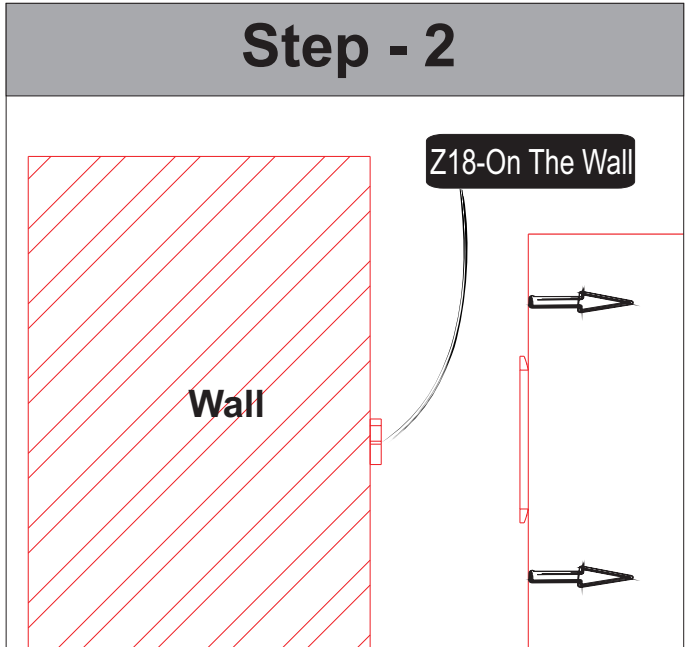
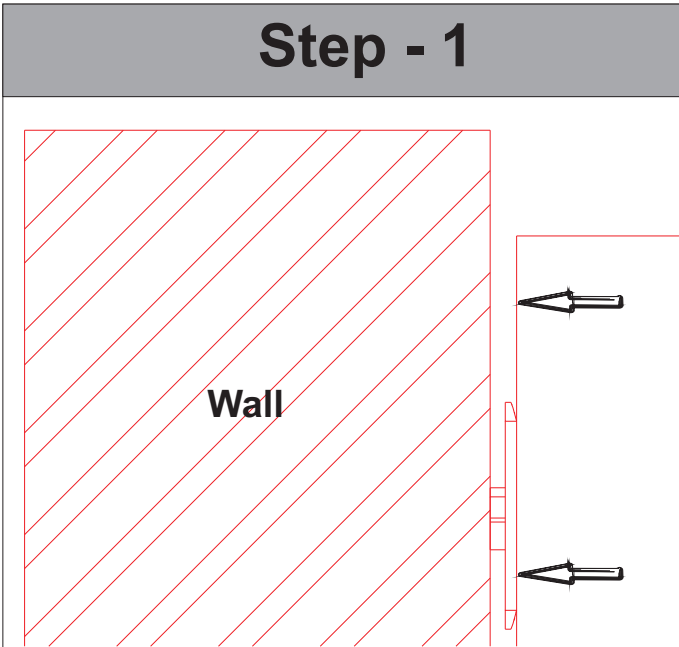
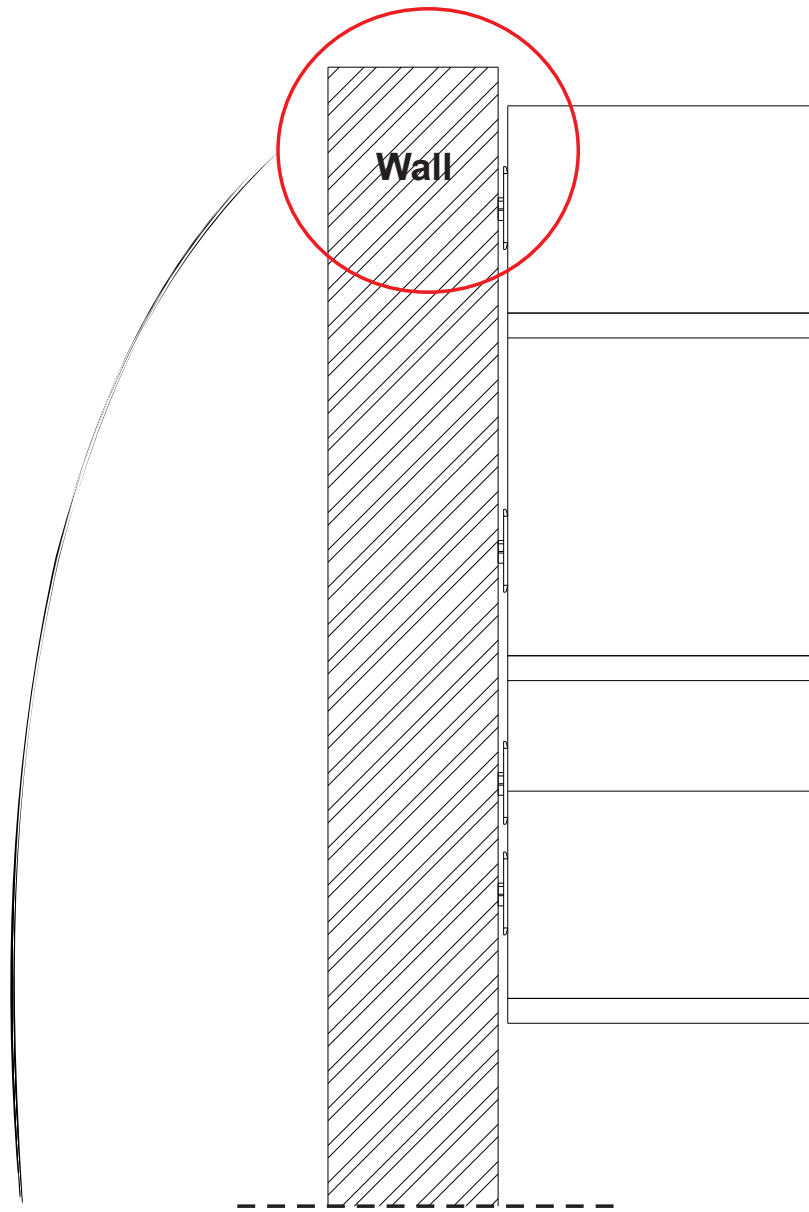
# 6<sub>step</sub>



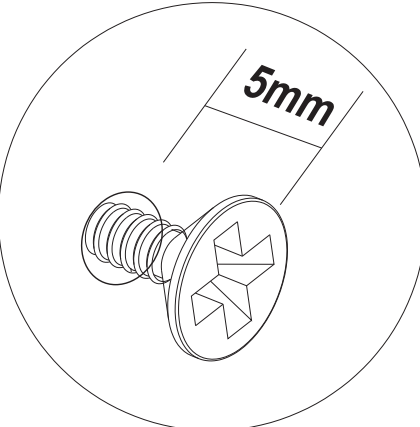
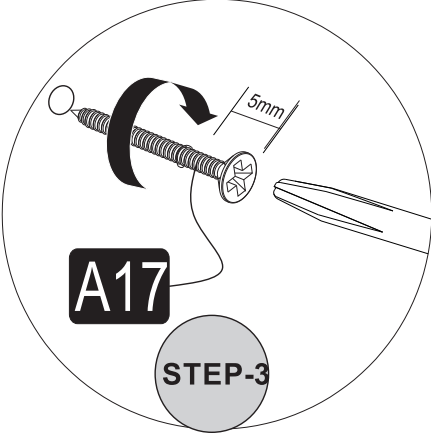
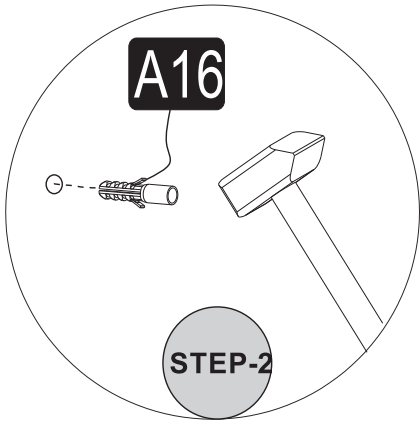
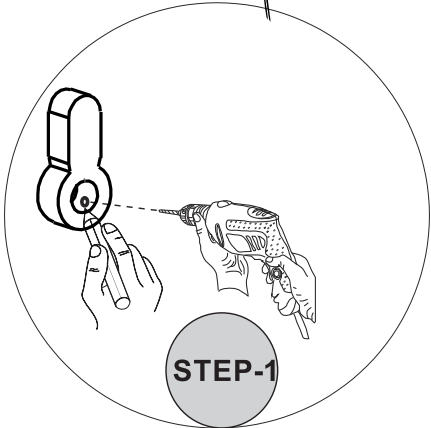
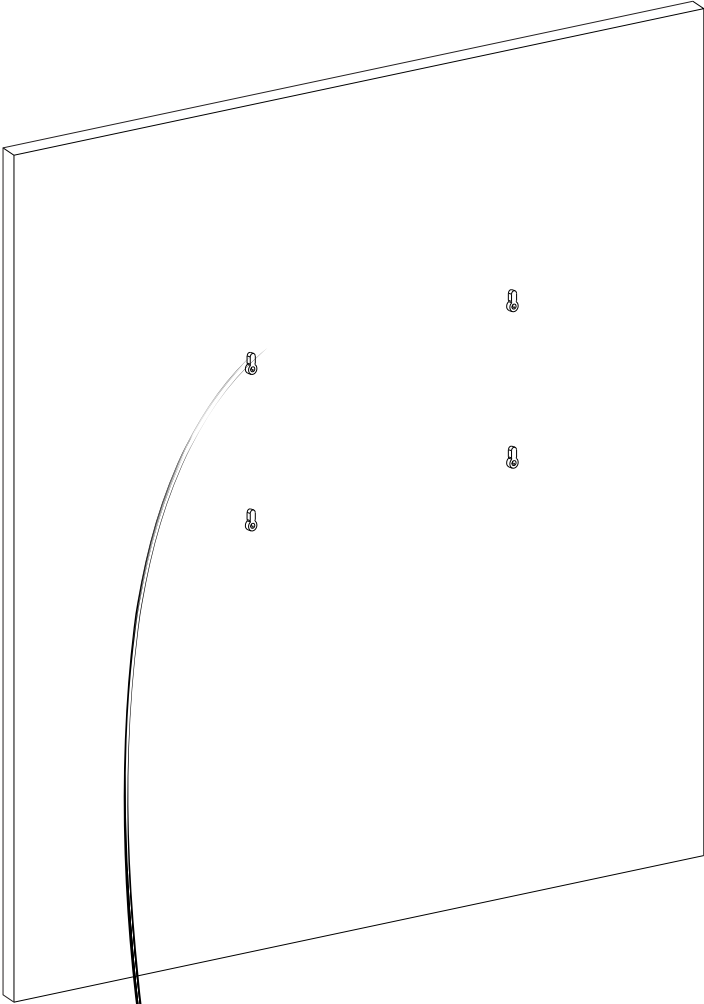
**7** step



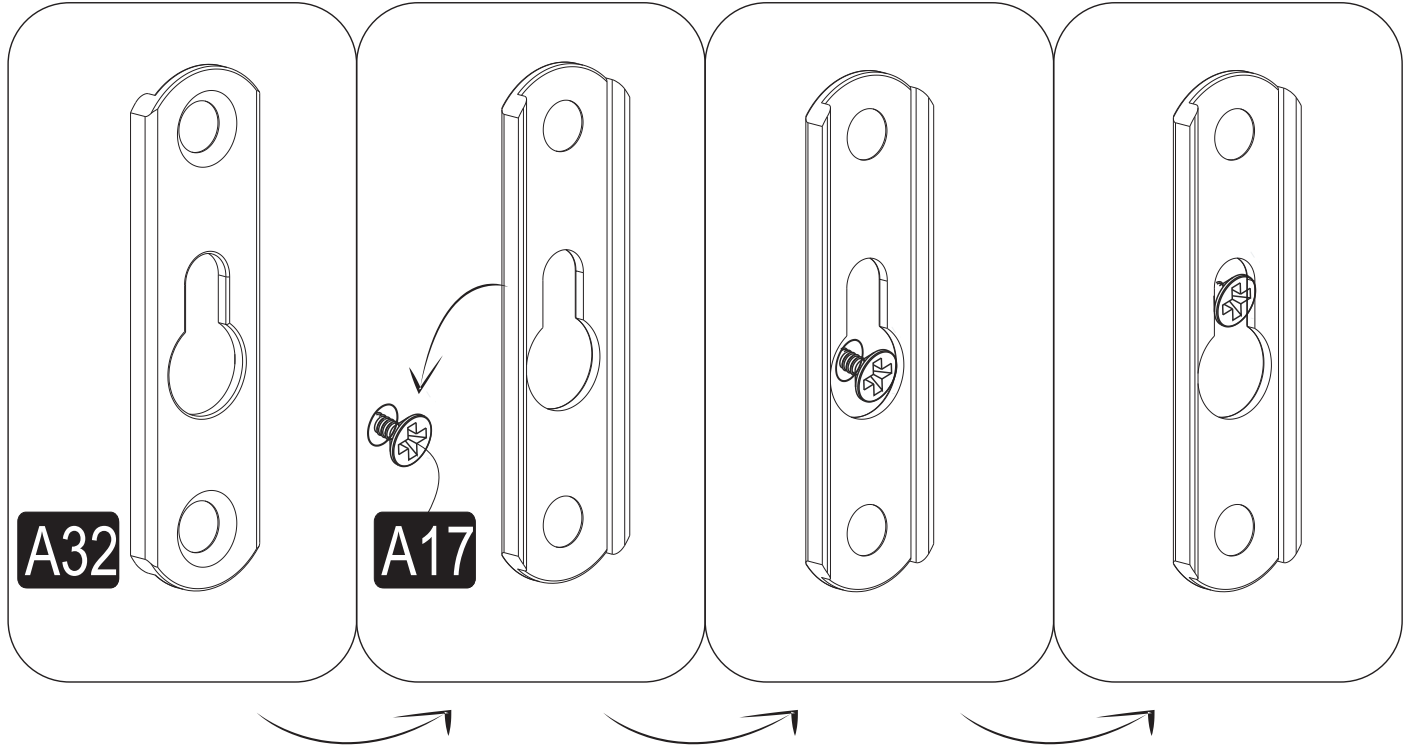
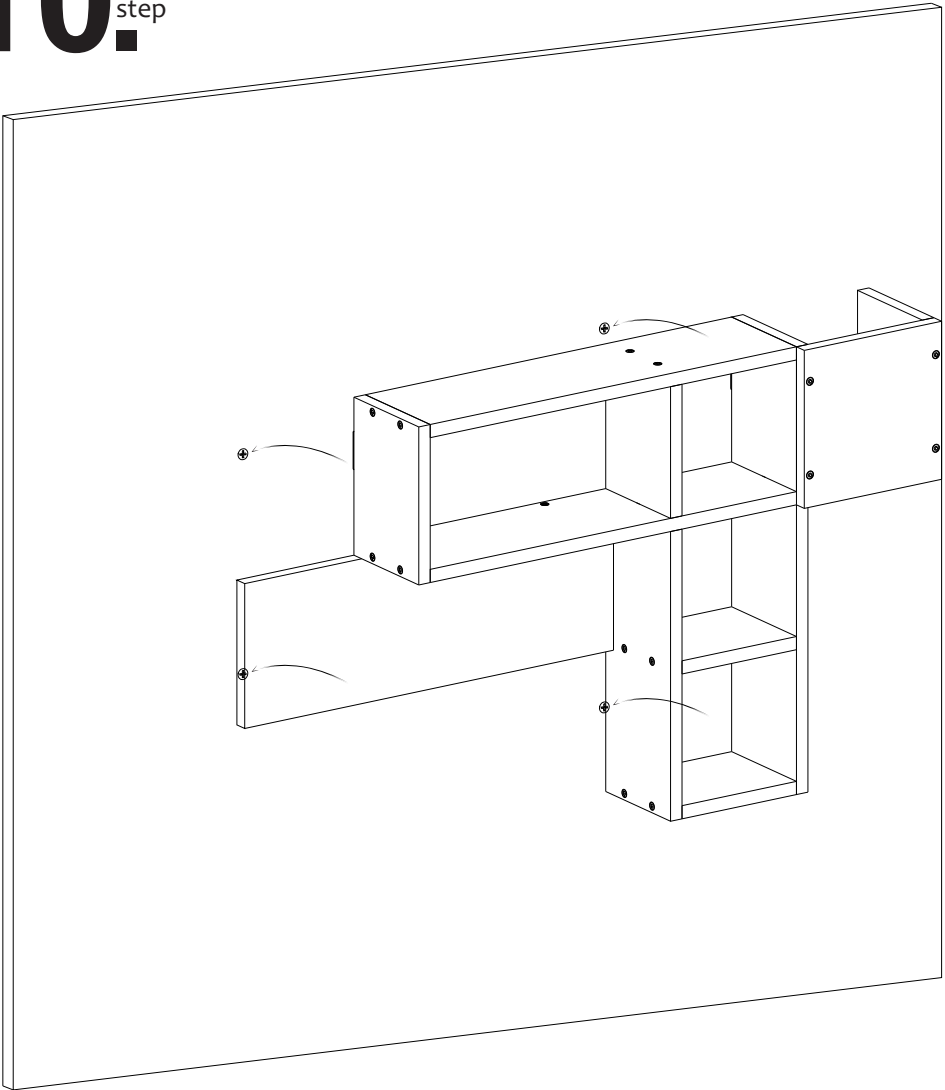
# 8<sub>step</sub>



# 9.<sup>step</sup>



# 10.<sup>step</sup>



# 11.<sup>step</sup>

