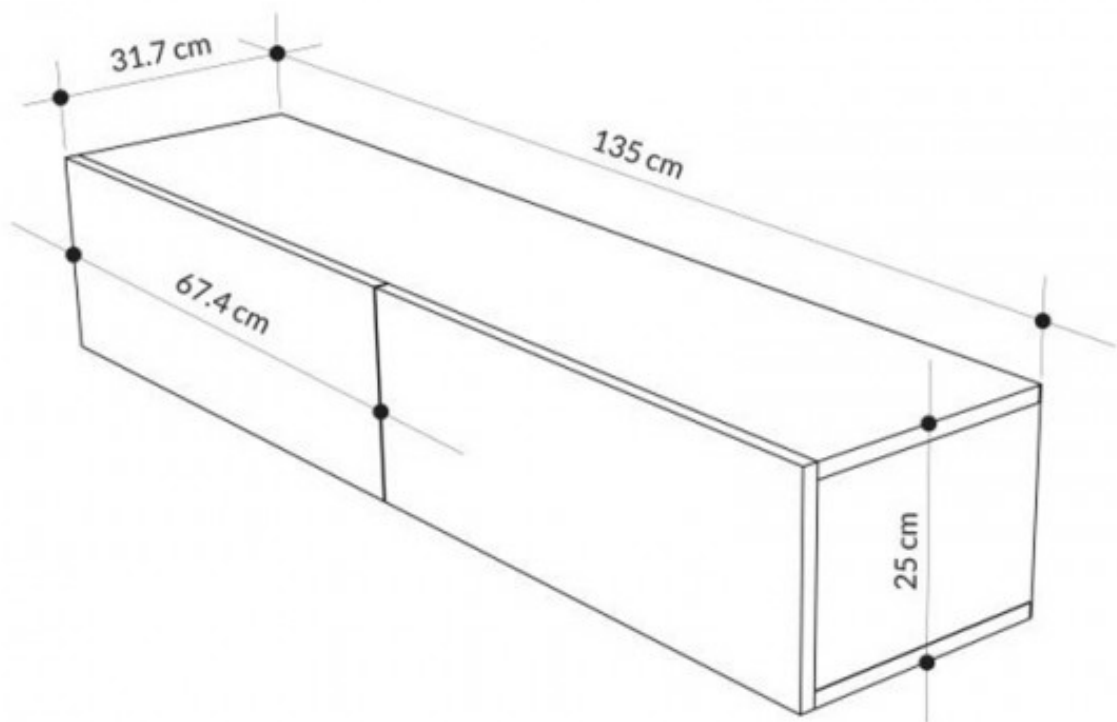
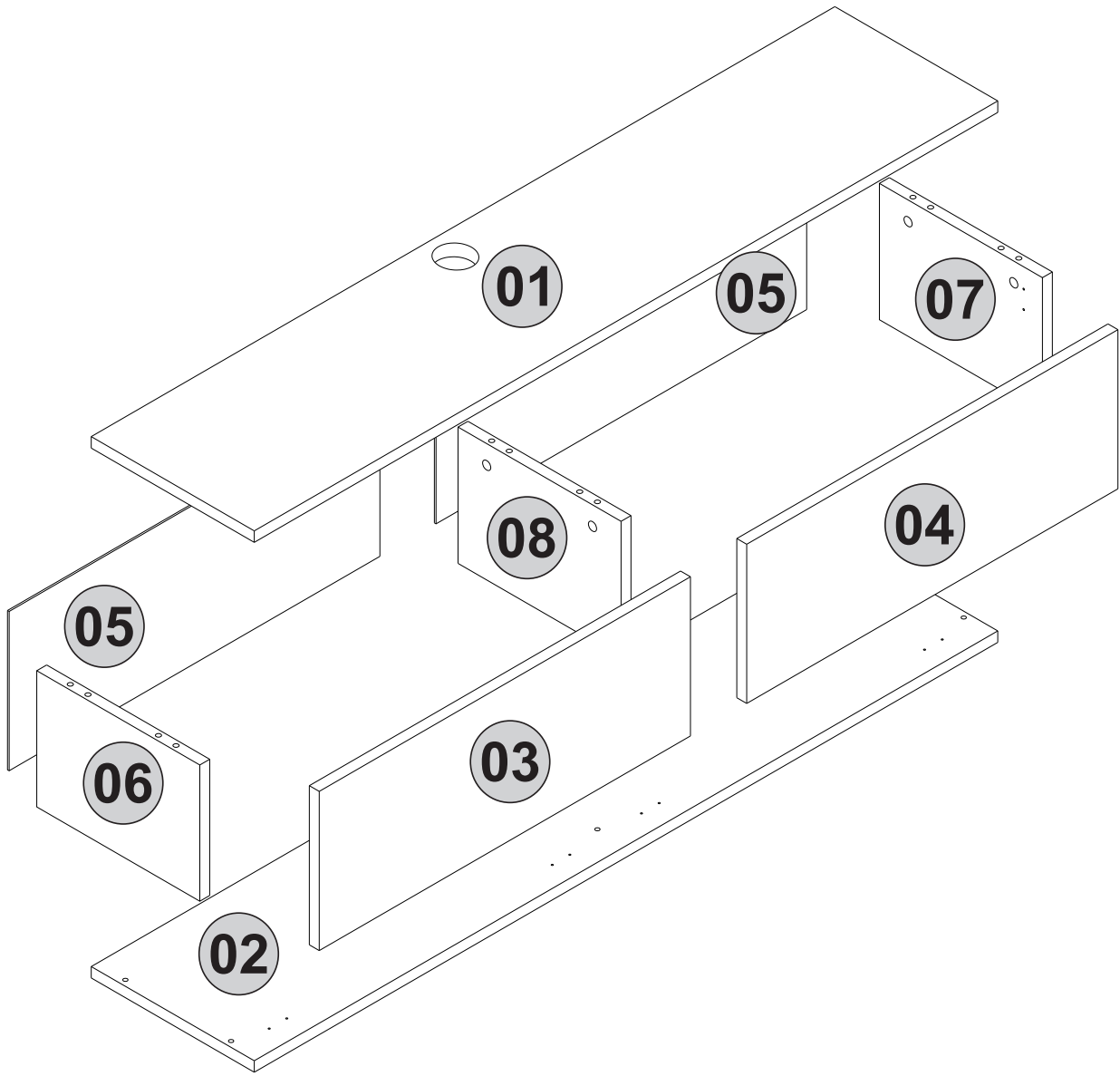
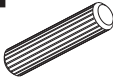



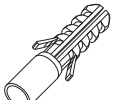
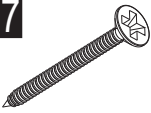


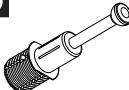
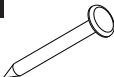
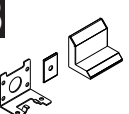

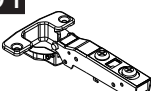
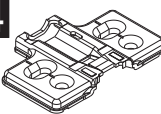

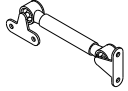


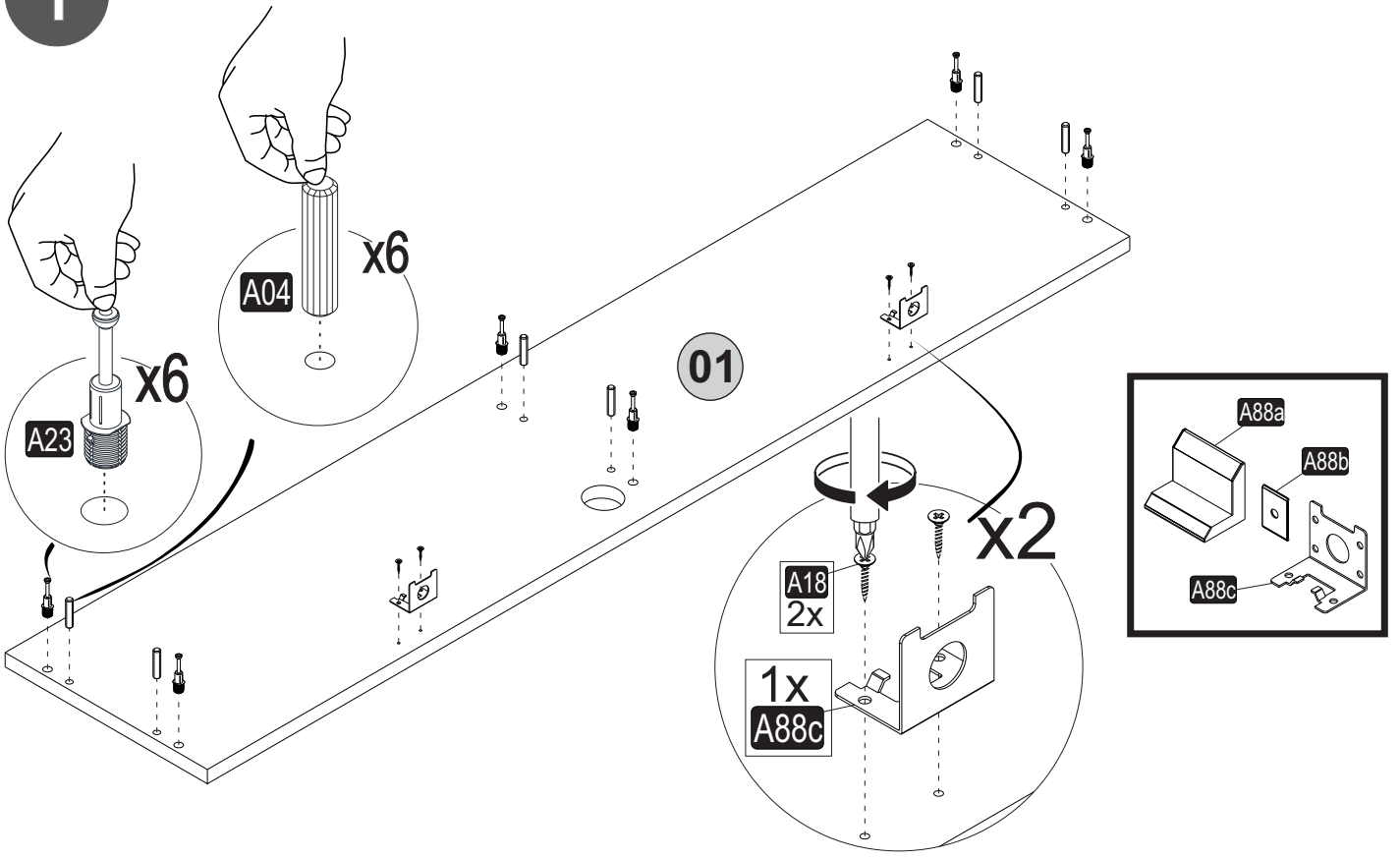
**i** GP037-0266,1



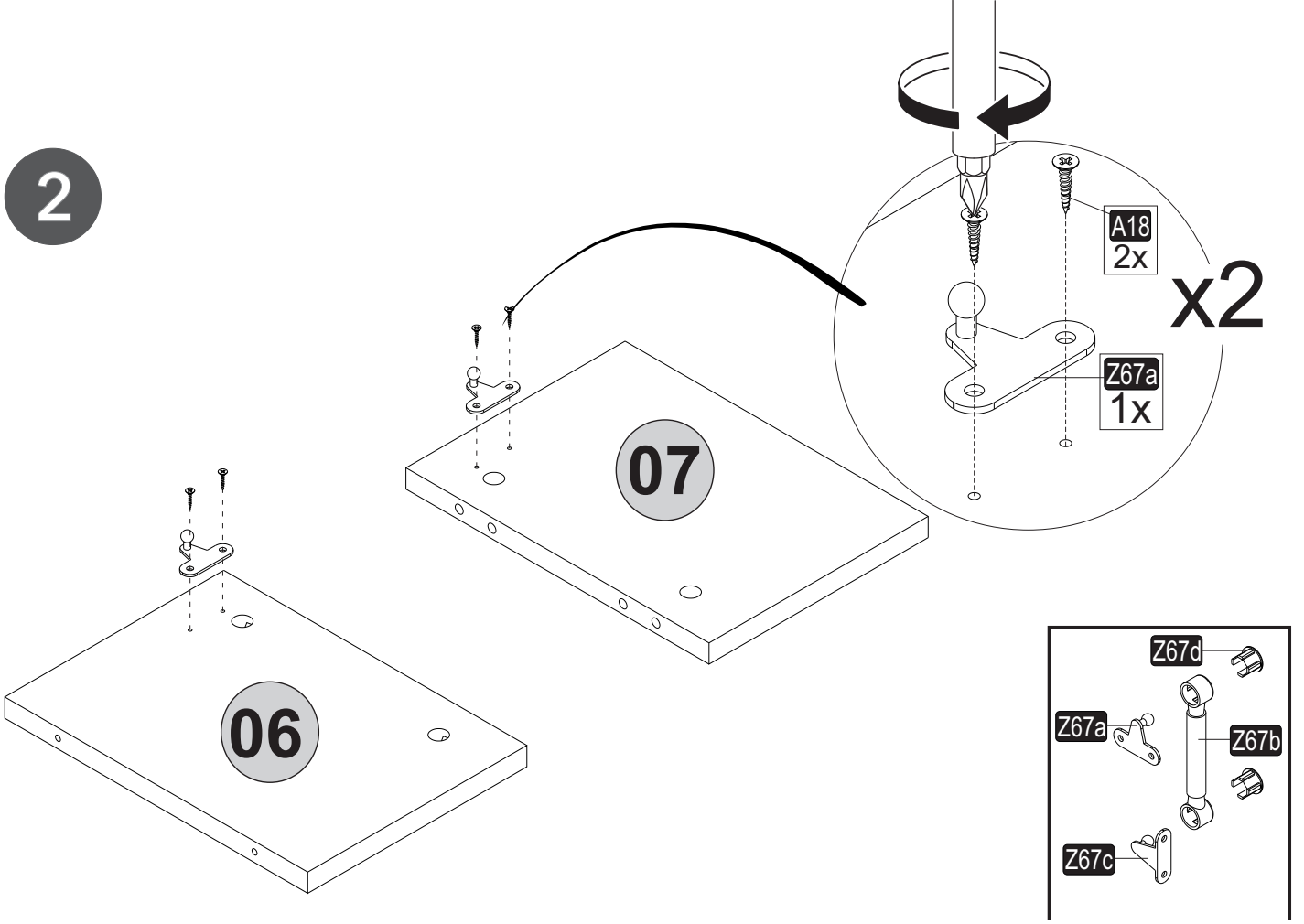


<b>A04</b>  Ø8x30 6x	<b>A06</b>  18mm C1-12x	<b>A12</b>  Allen 1x	<b>A13</b>  50mm 6x	<b>A16</b>  DbØ8 2x
<b>A17</b>  4x50 2x	<b>A18</b>  3,5x18 36x	<b>A22</b>  Minifix k18 6x	<b>A23</b>  Minifix M10 6x	<b>A58</b>  10x25 21x
<b>A88</b>  dae 2x	<b>A131</b>  1x	<b>C31</b>  DM 4x	<b>C34</b>  MA 4x	<b>Z81</b>  çça 1x
<b>Z67</b>  DKP 2x				

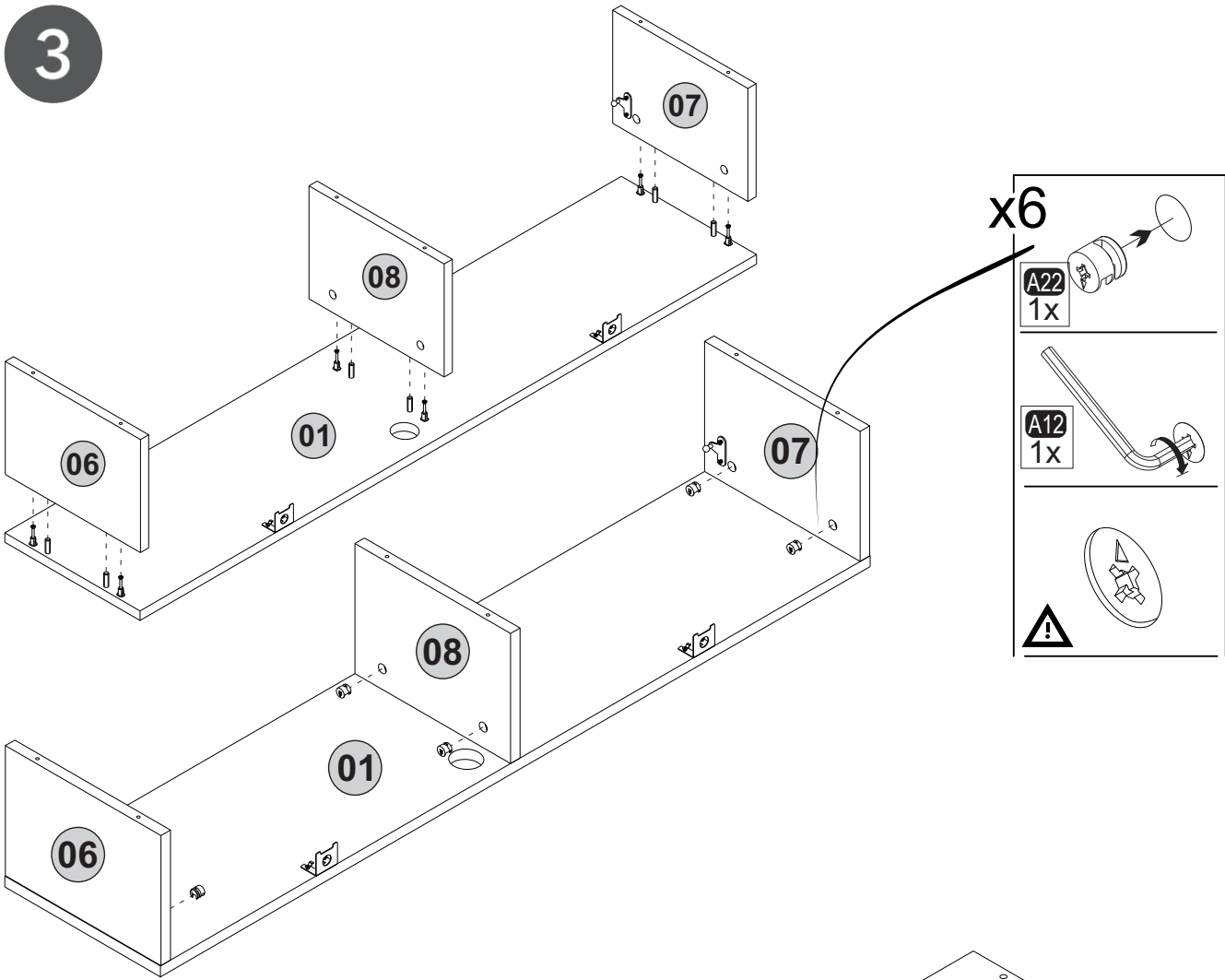
1



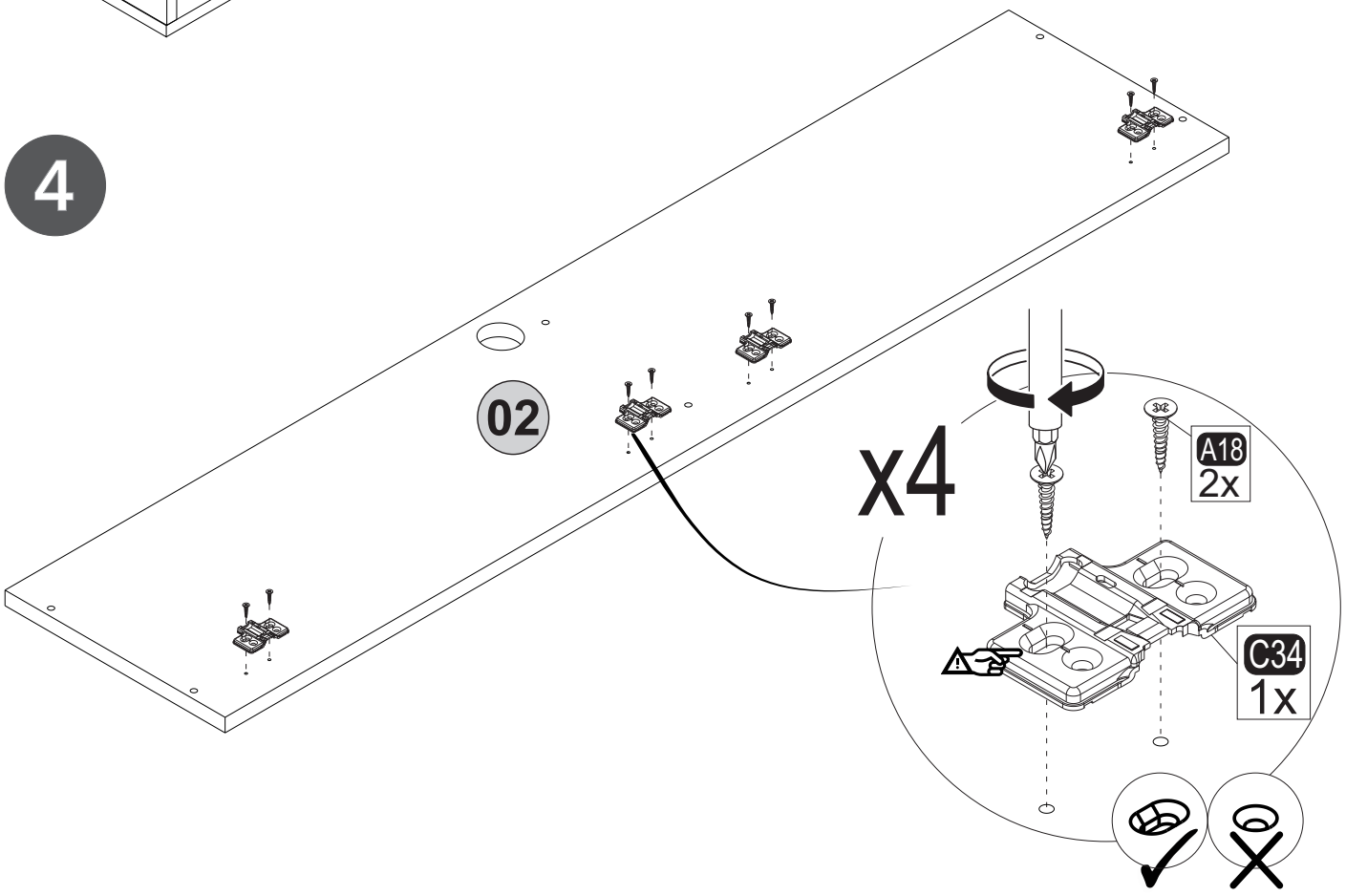
2



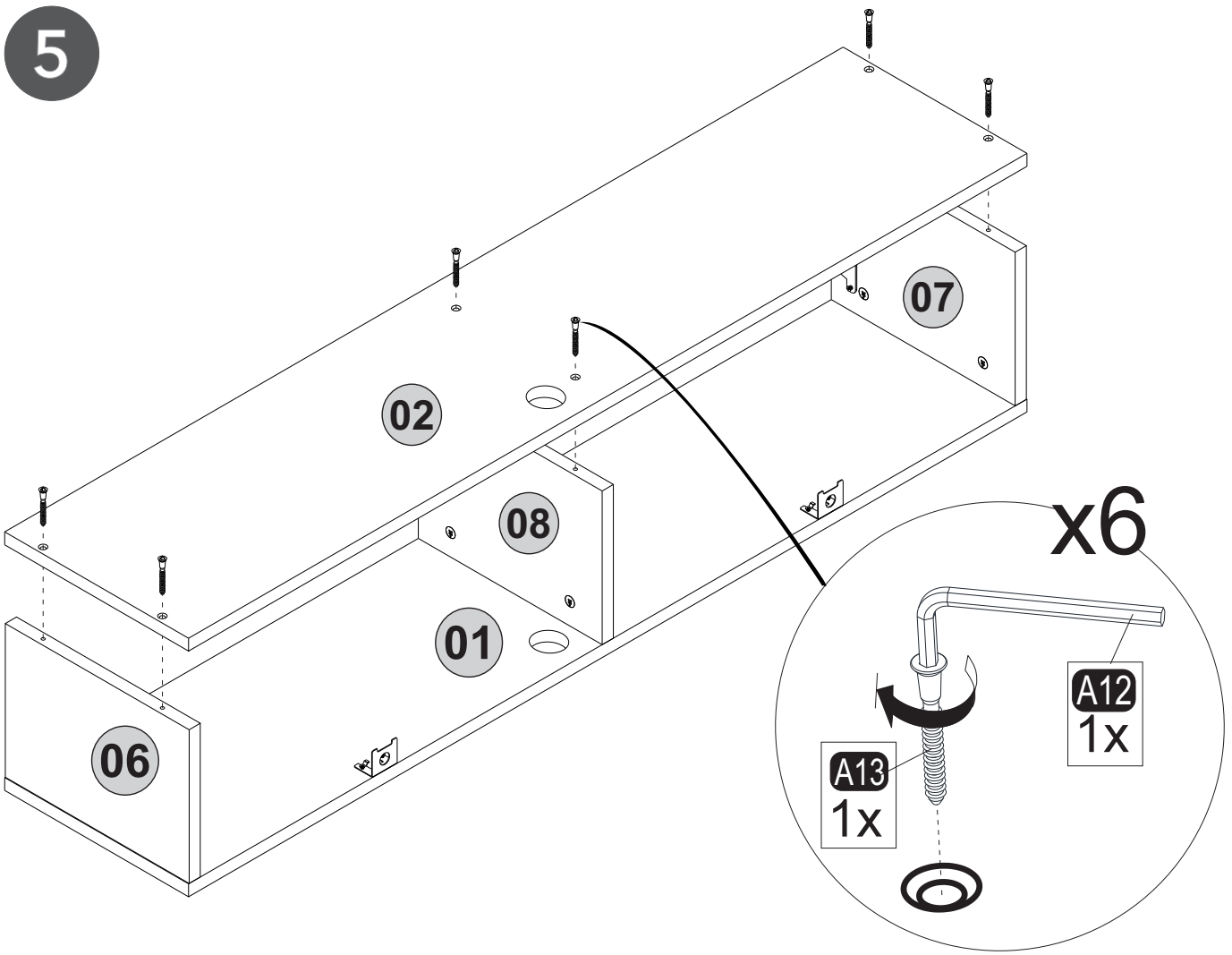
3



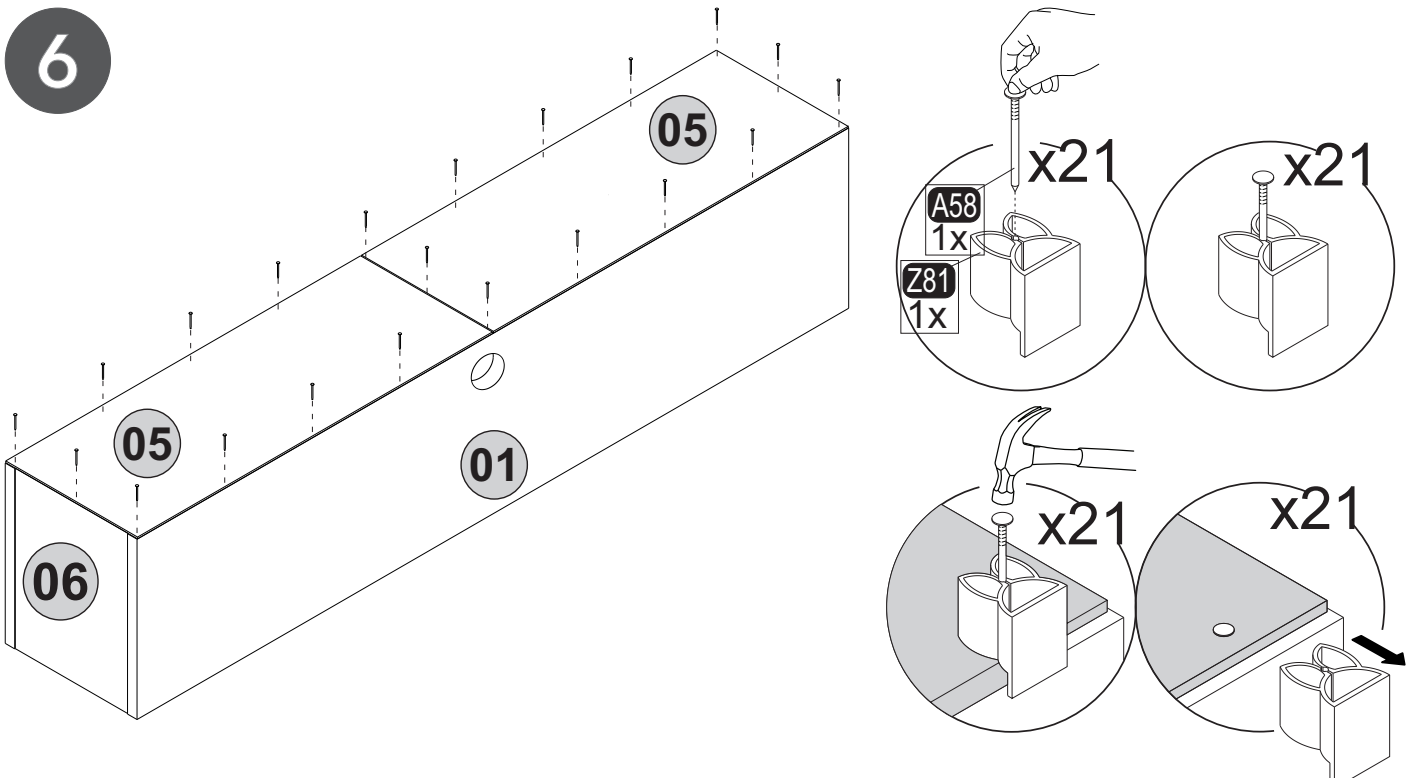
4



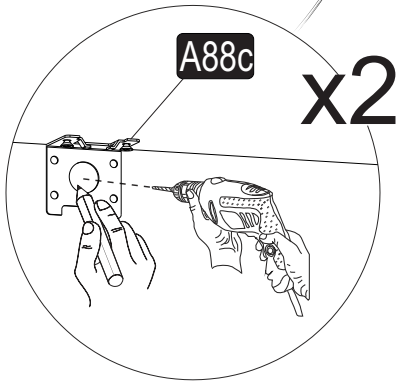
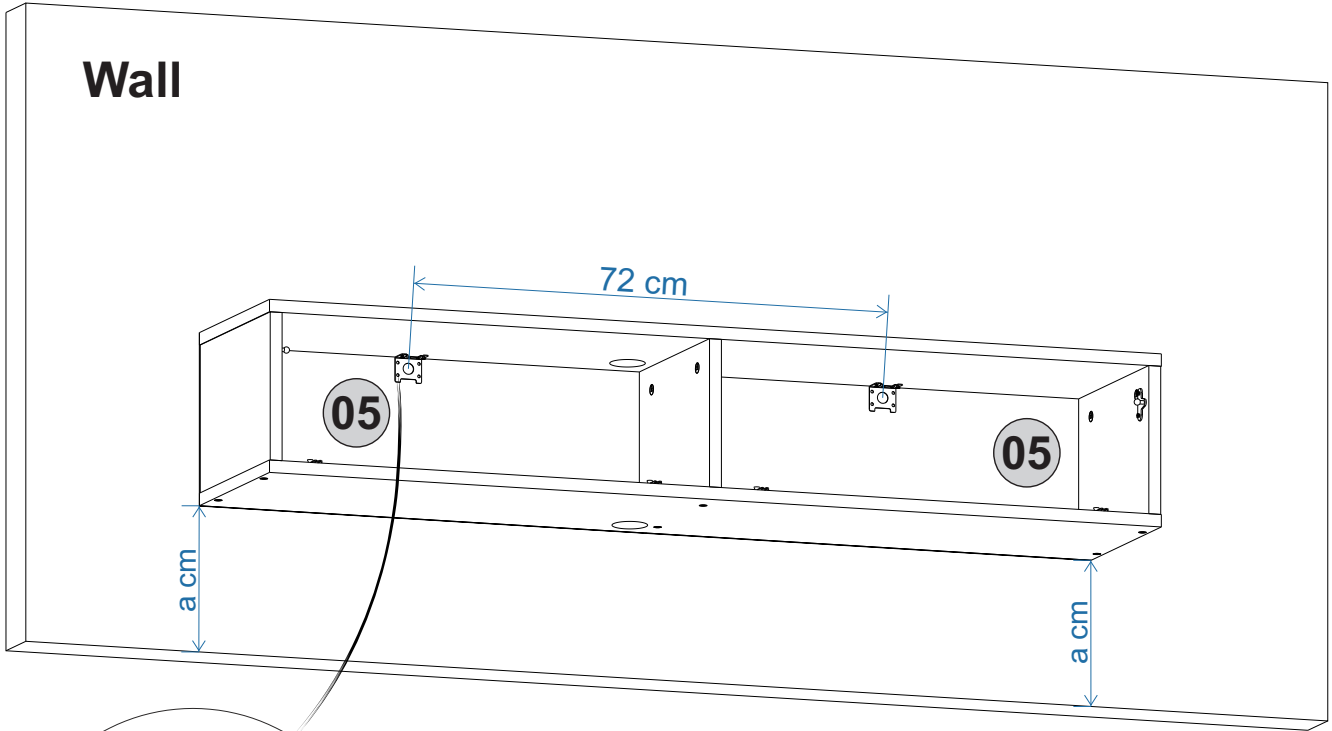
5



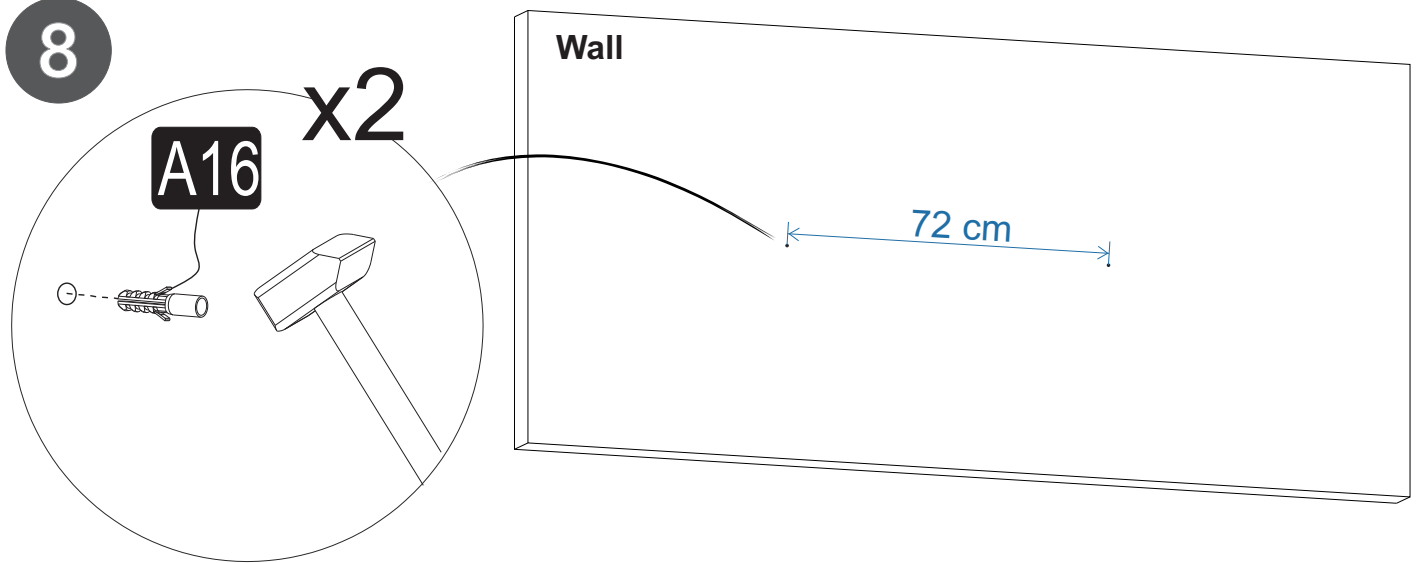
6



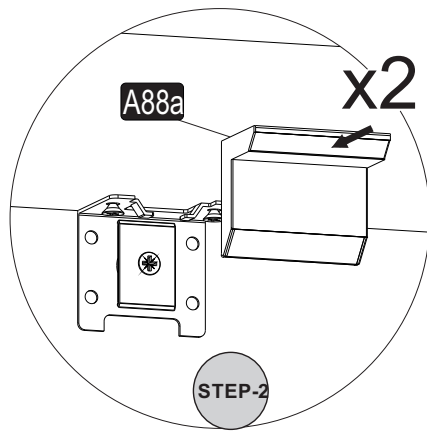
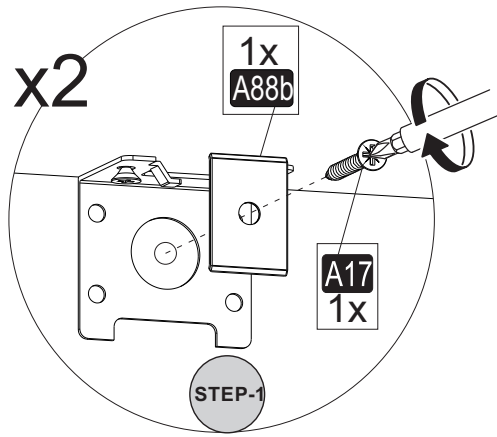
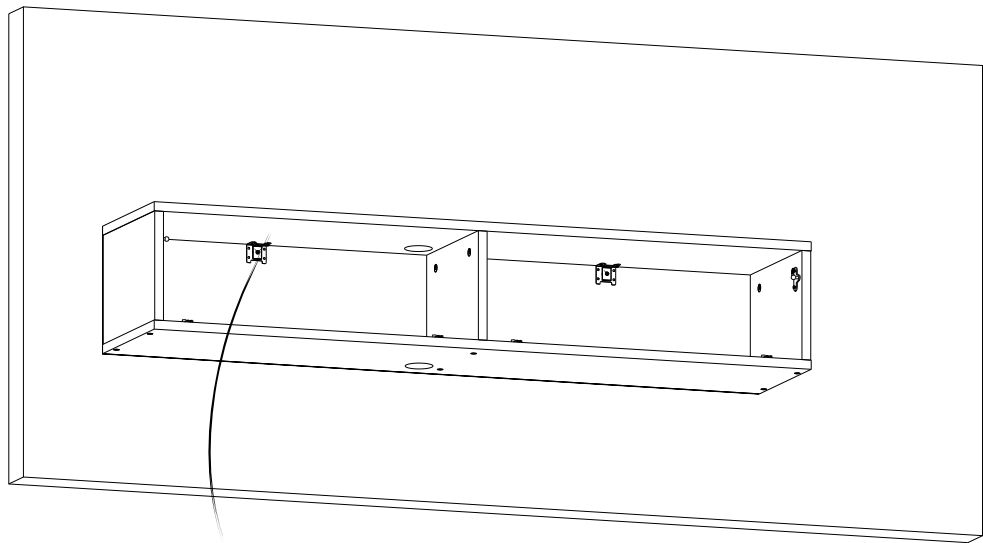
7



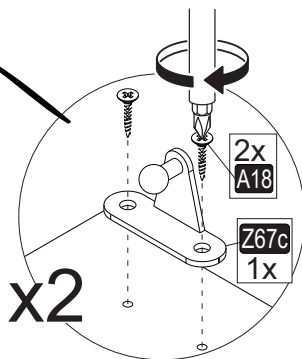
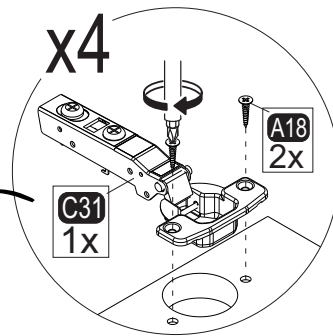
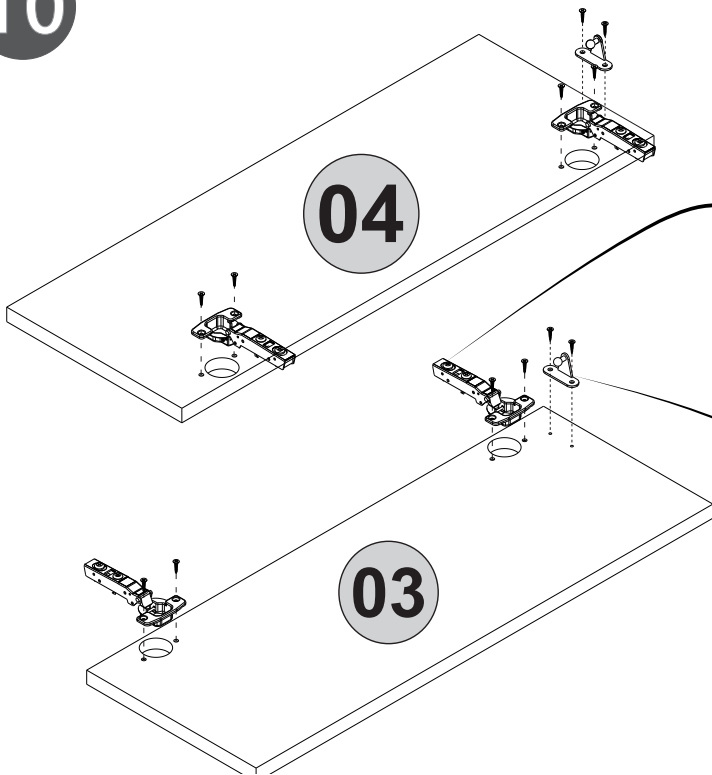
8



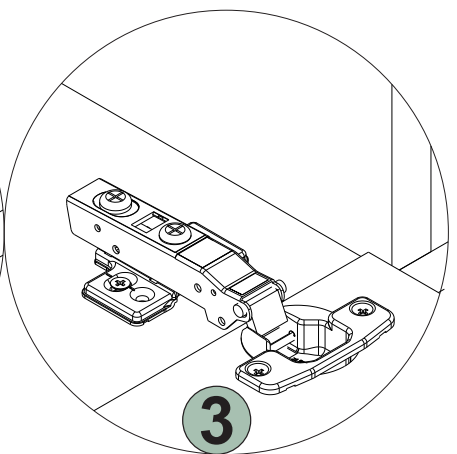
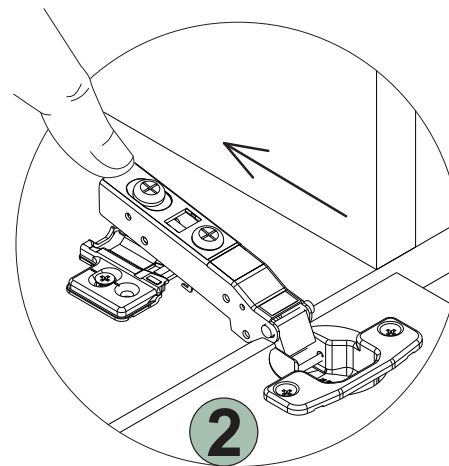
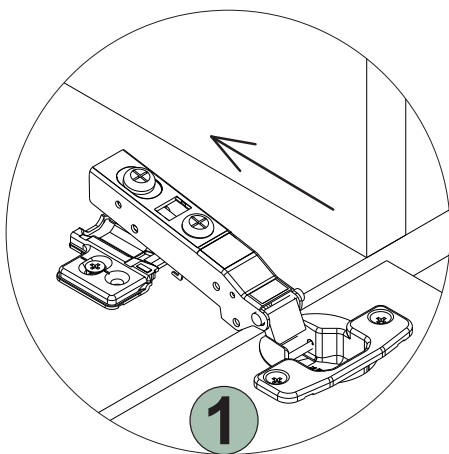
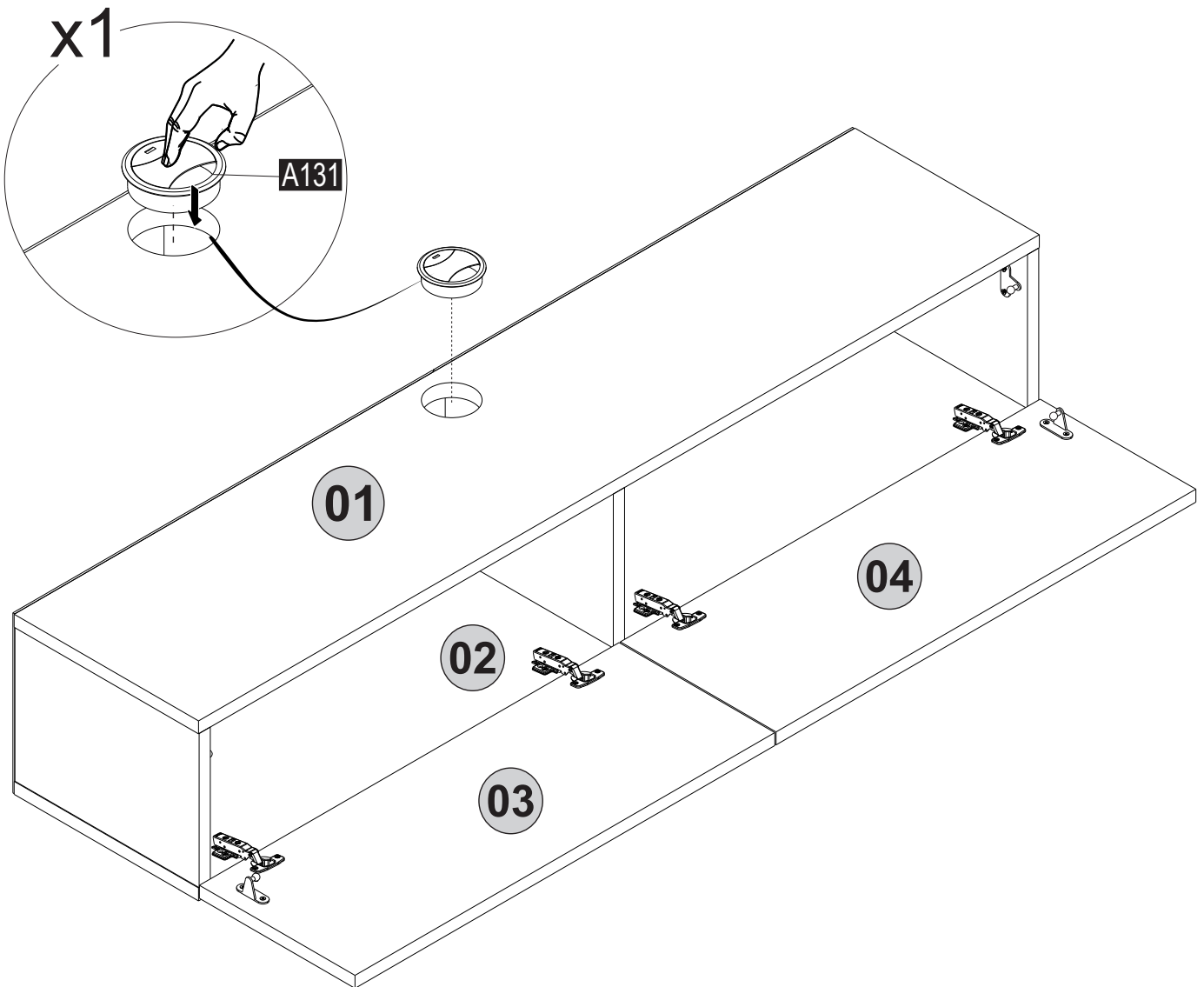
9



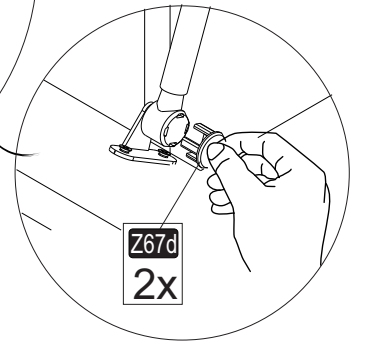
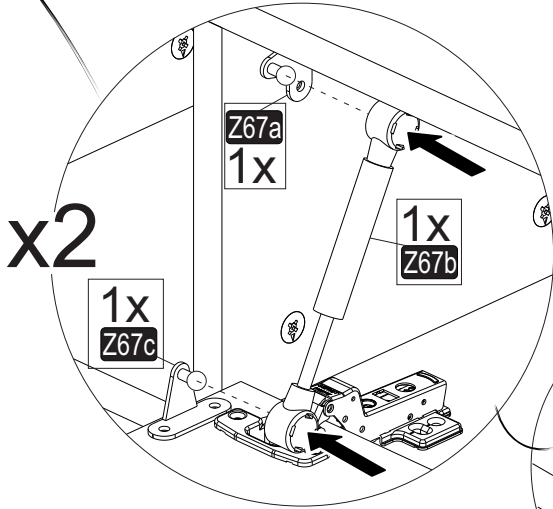
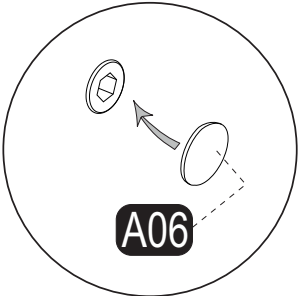
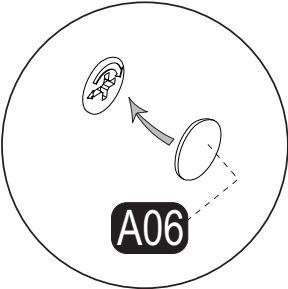
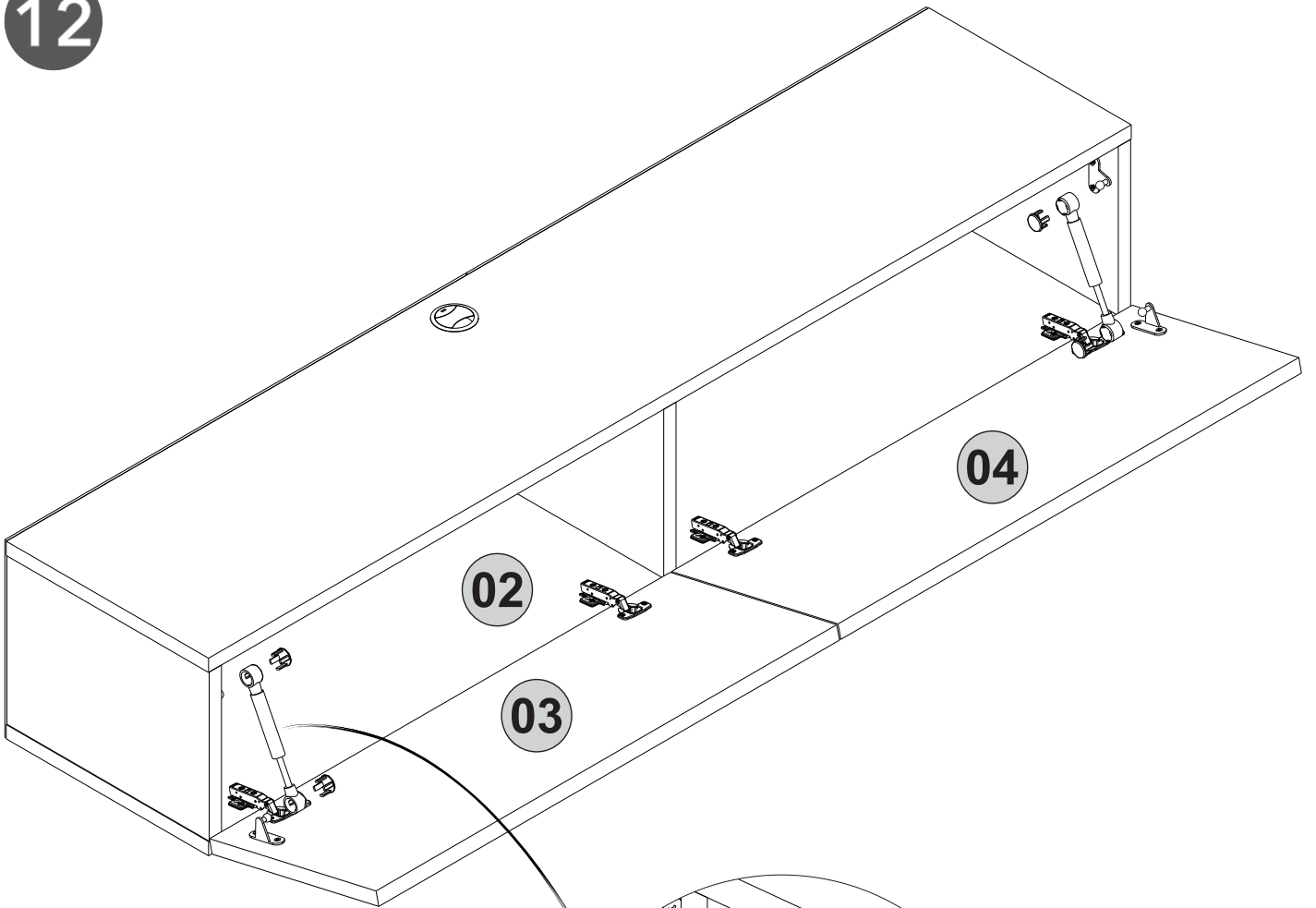
10



11



12



13

