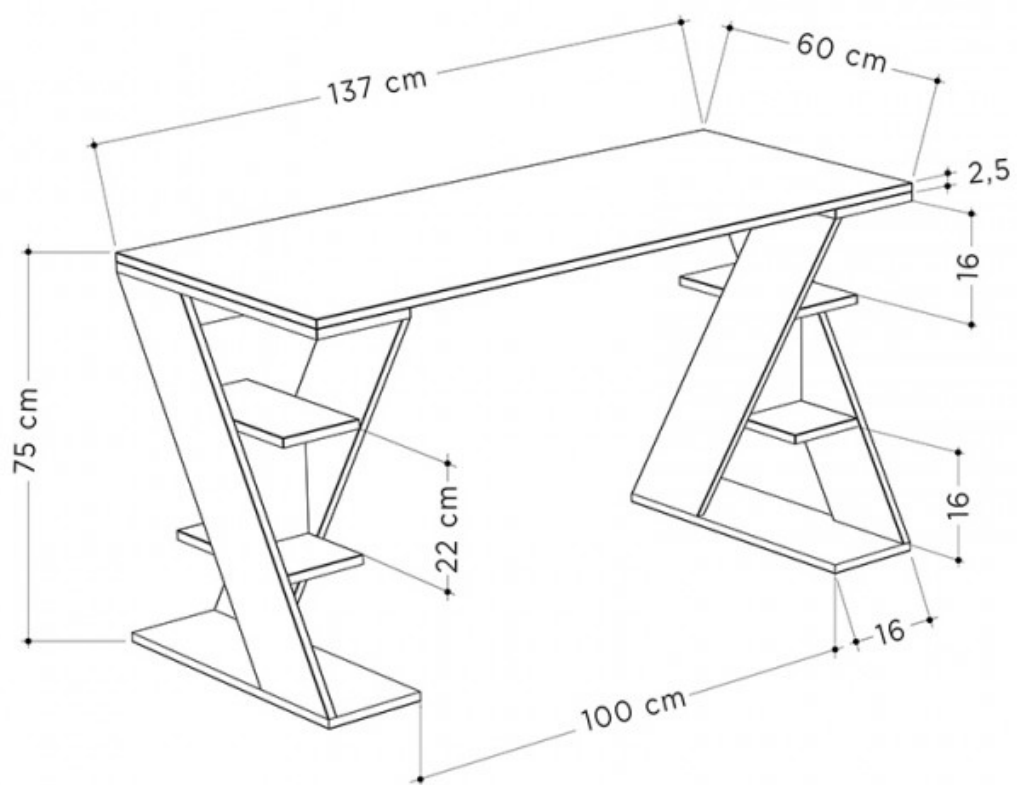
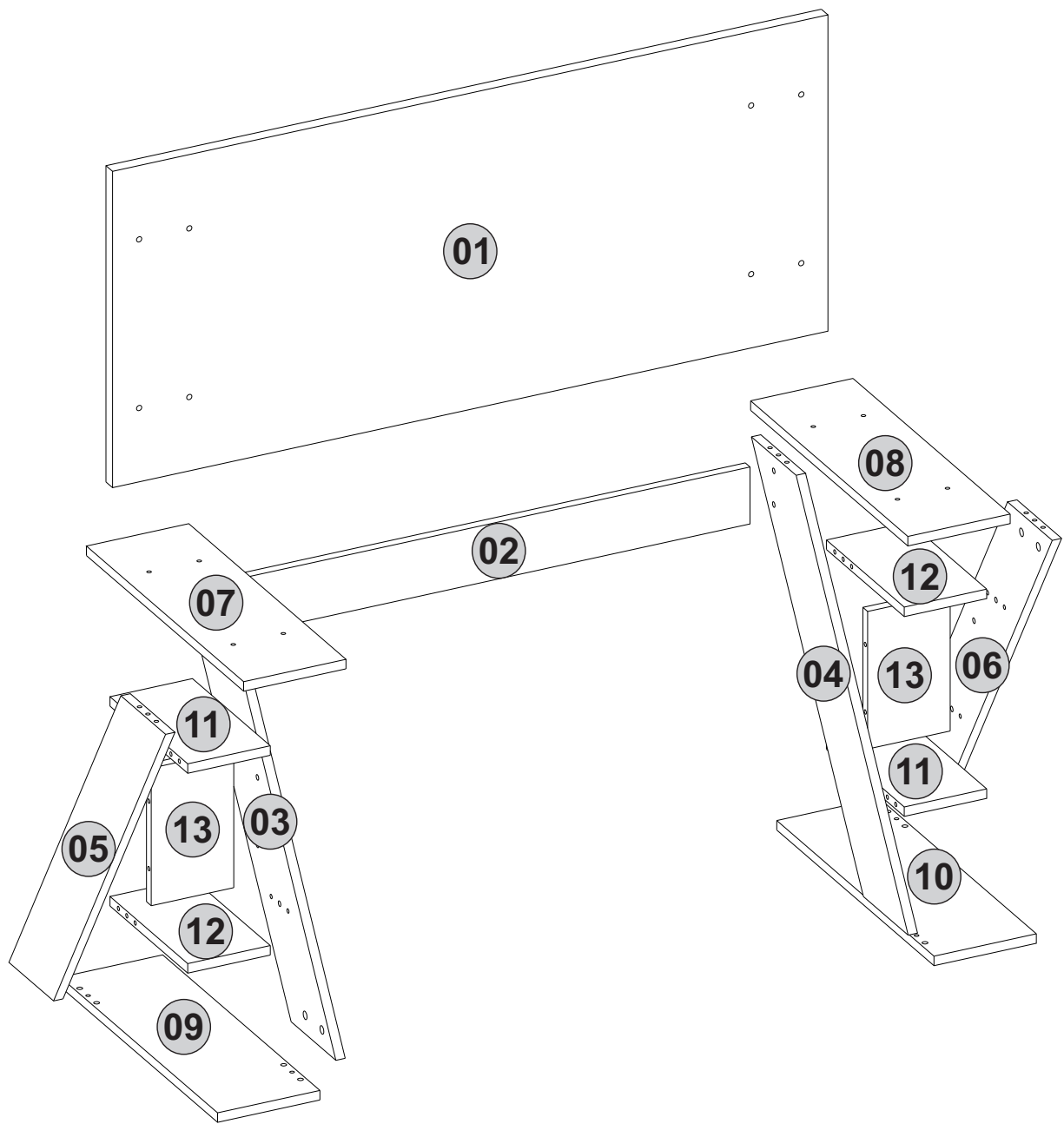




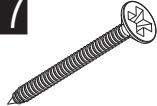

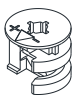


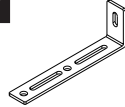

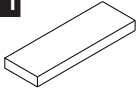


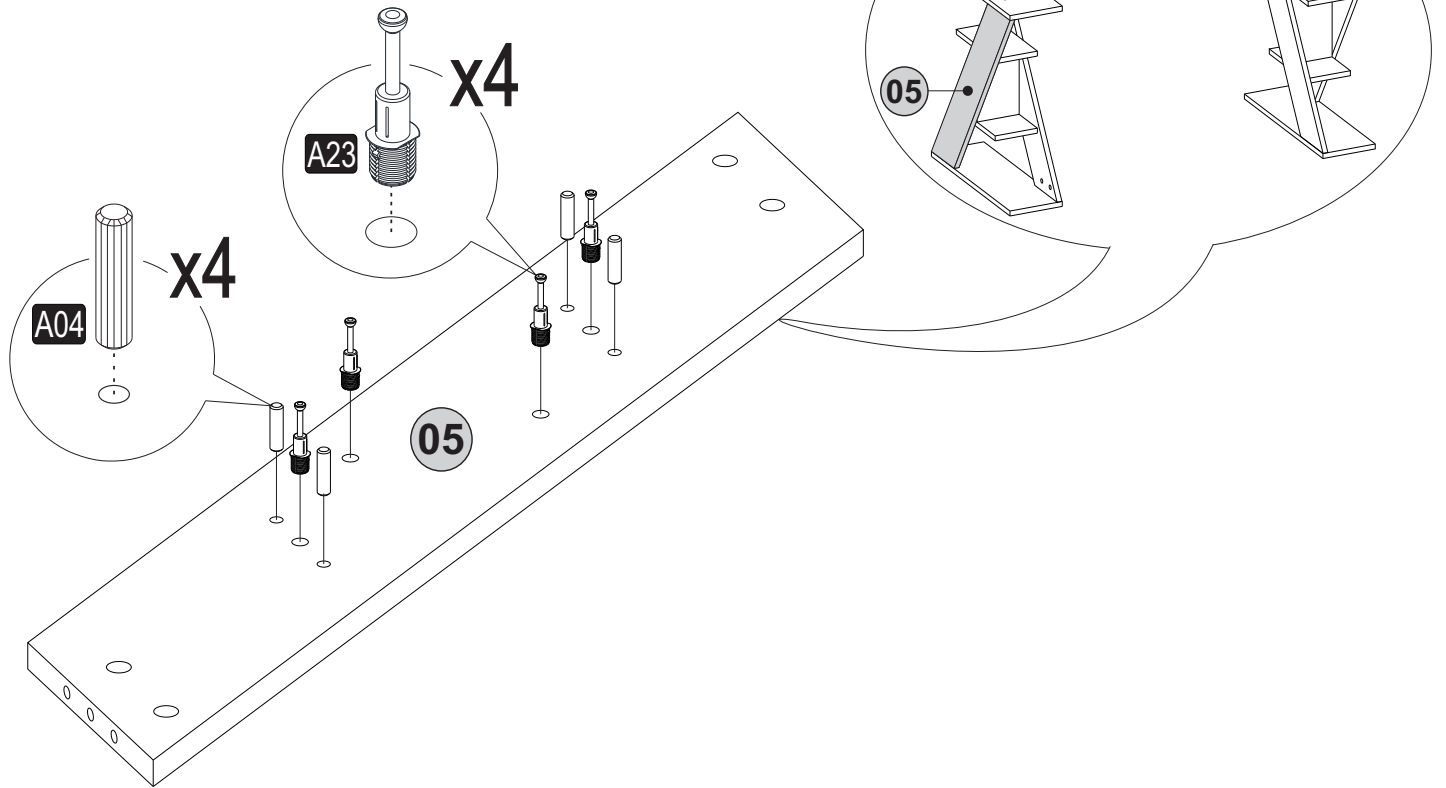
i GP037-0268,2



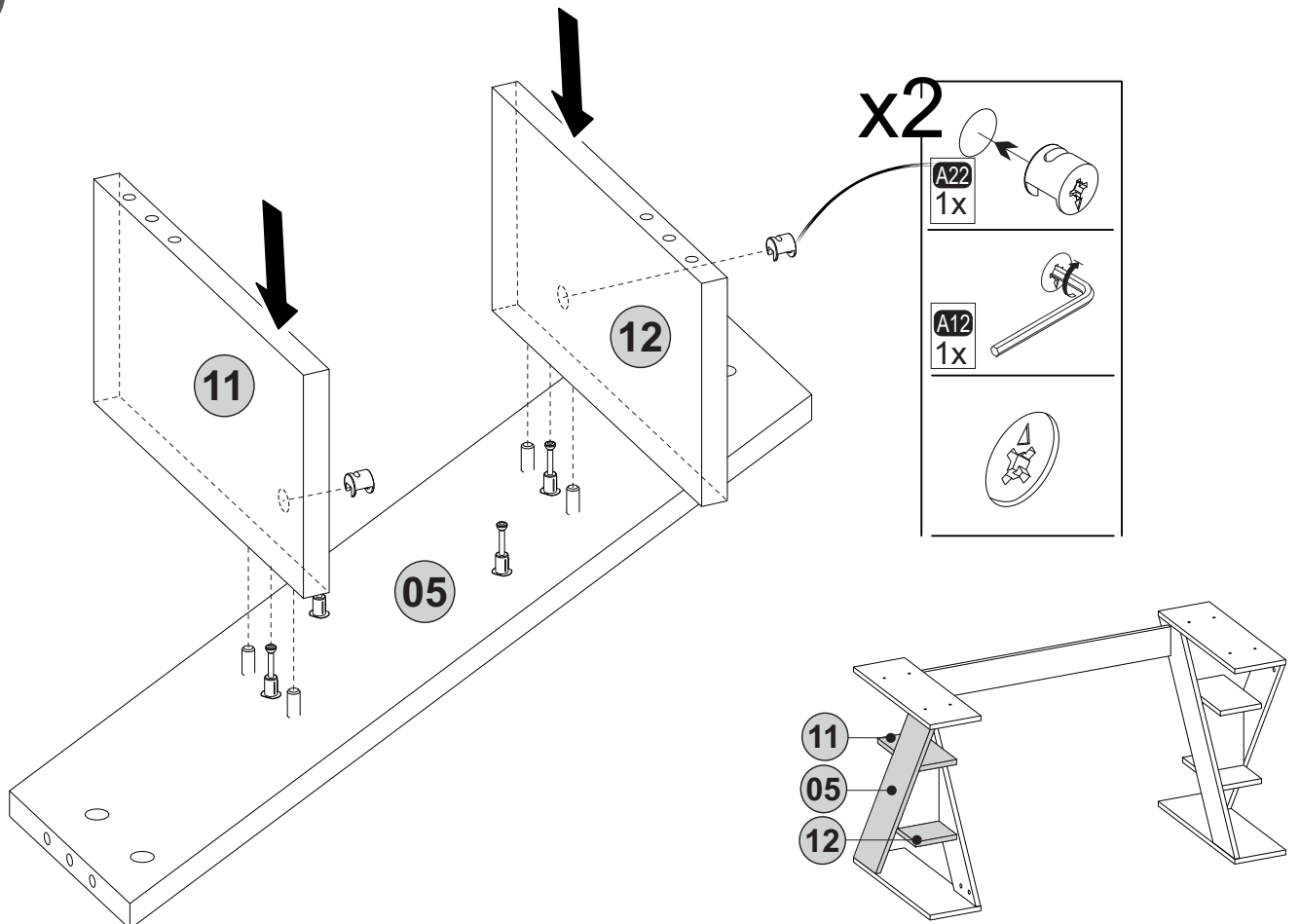


A04  Ø8 24x	A06  18mm C2-44x	A12  Allen 1x	A16  DbØ8 2x	A17  4x50 2x
A18  3,5x18 4x	A22  Minifix k18 36x	A23  Minifix M10 36x	A69  P.D. 8x	A87  15x90x30 2x
B03  25 mm 8x	PB01  Kece 8x			

1

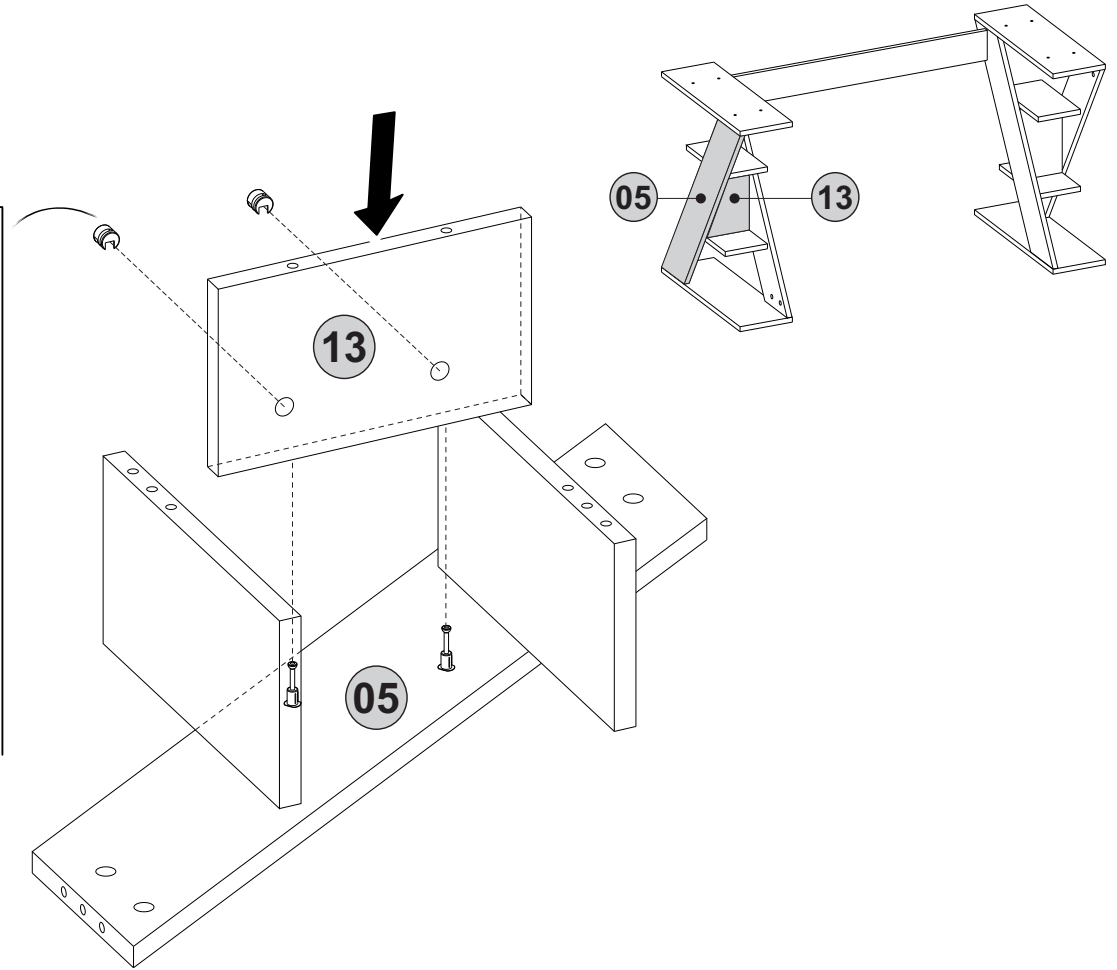
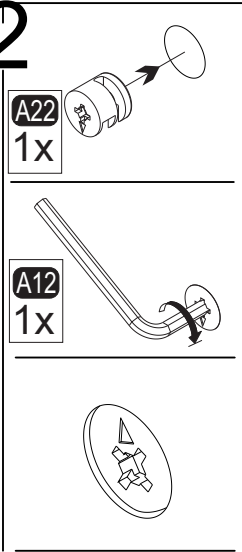


2



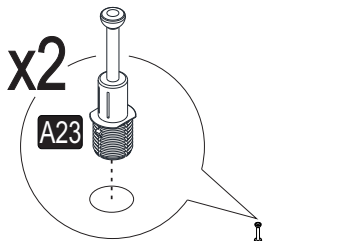
3

x2



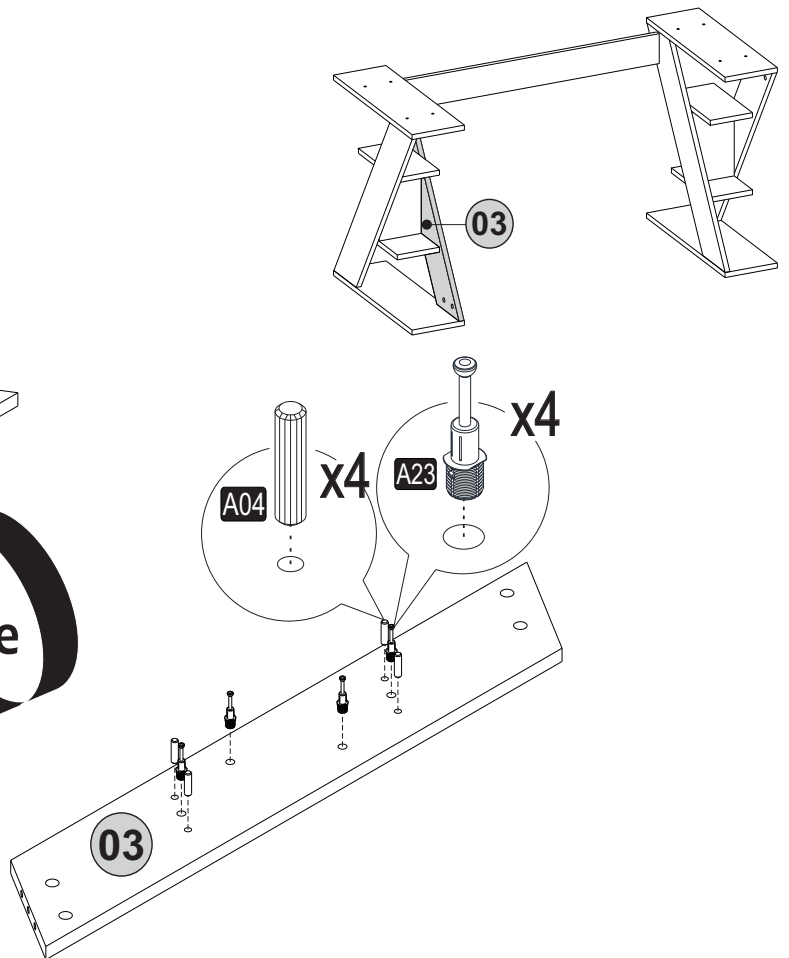
4

x2

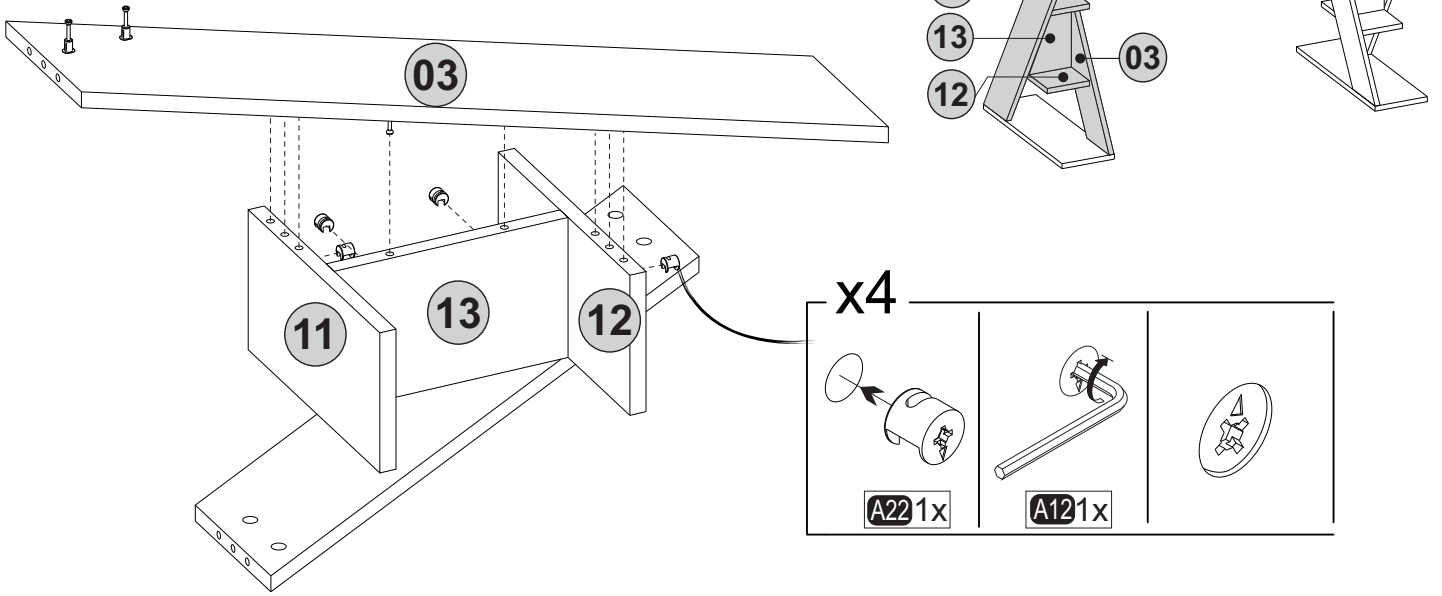


03

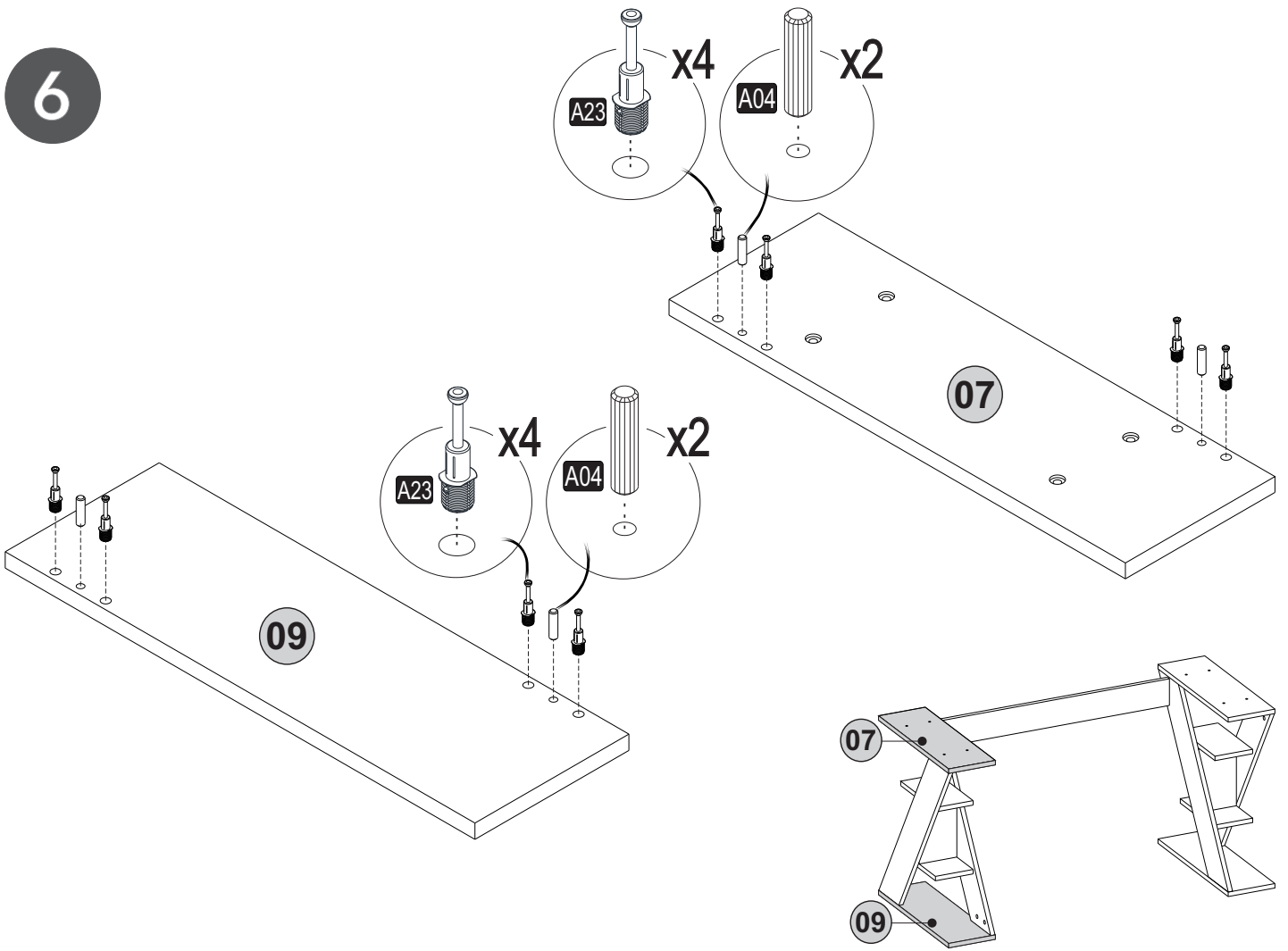
Rotate



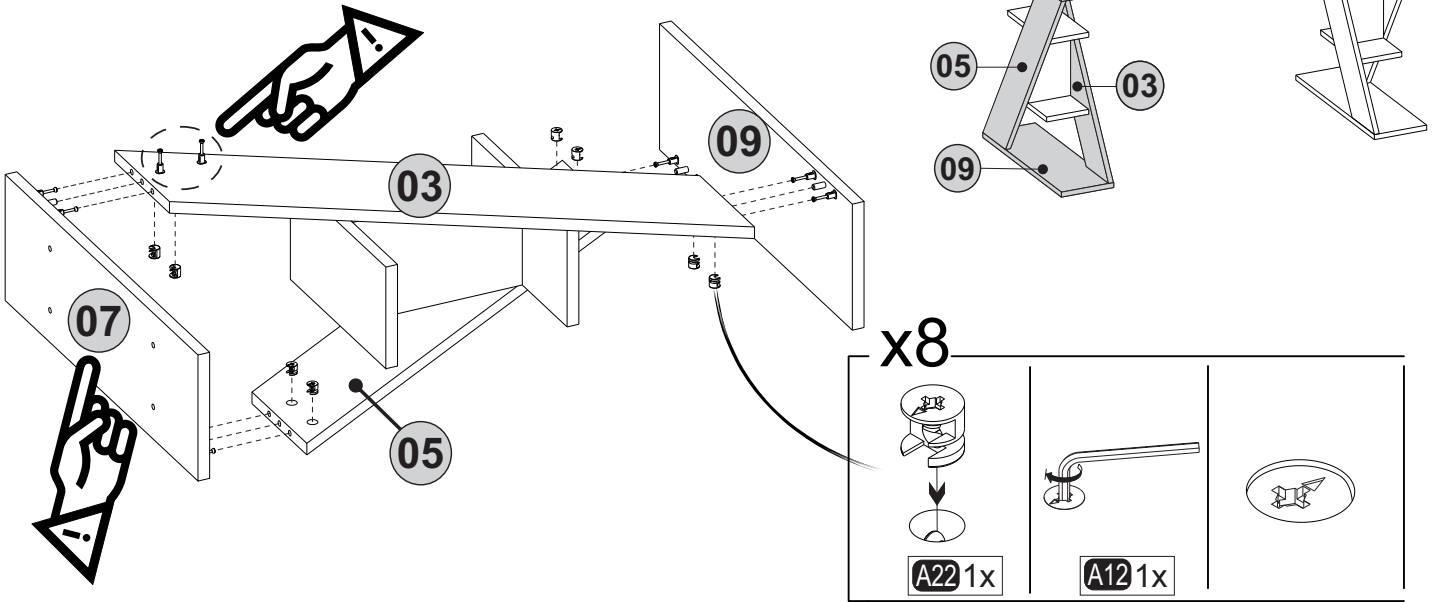
5



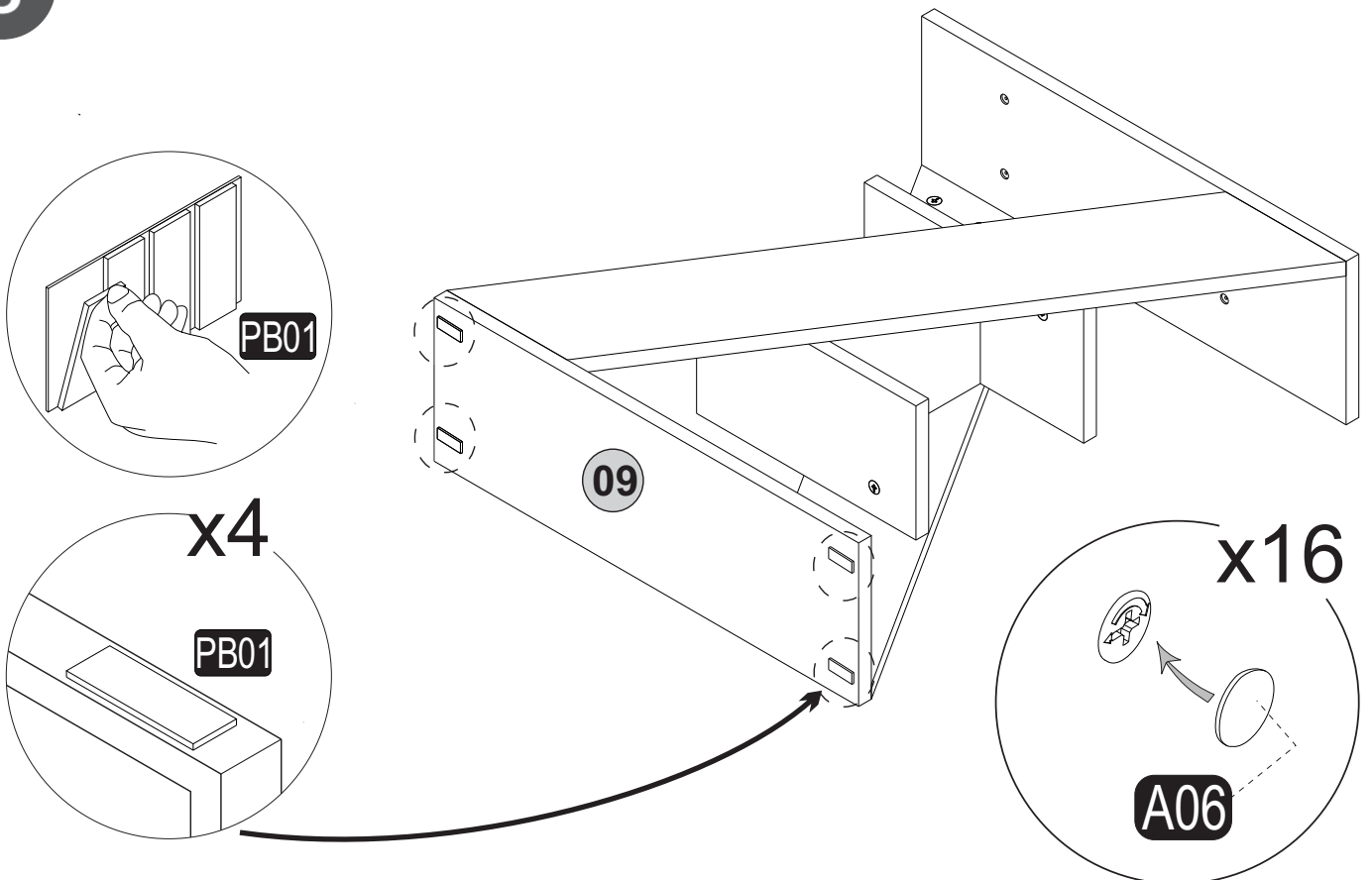
6



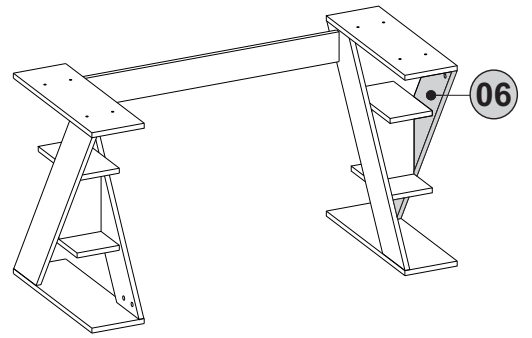
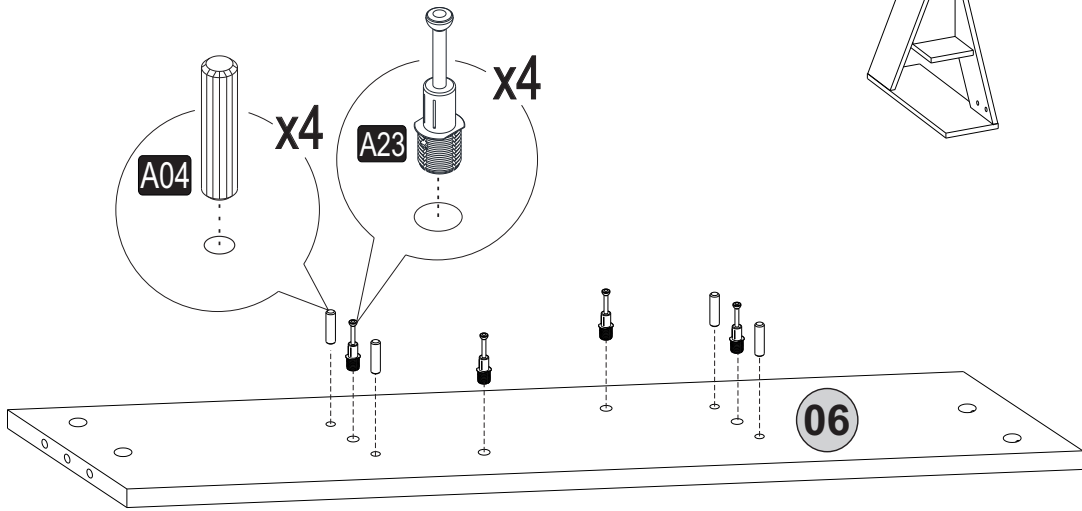
7



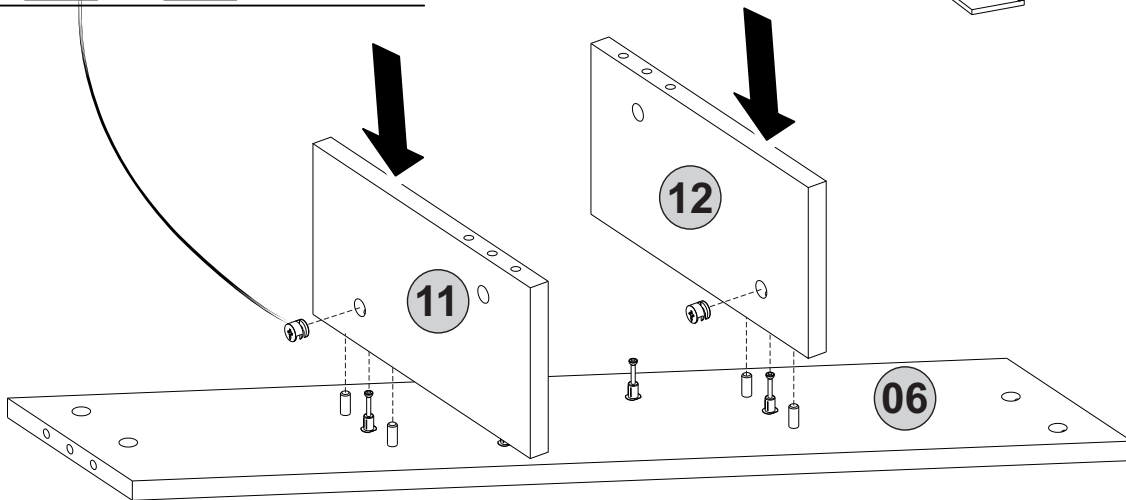
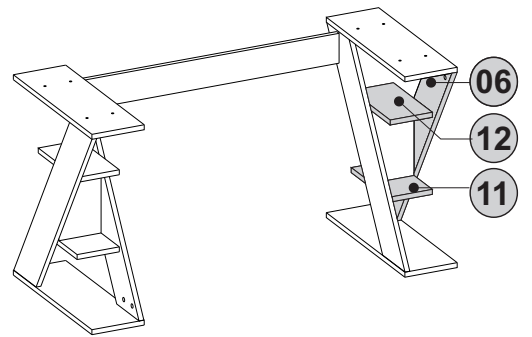
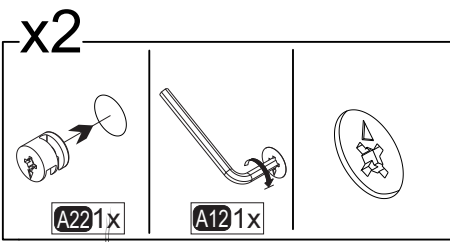
8



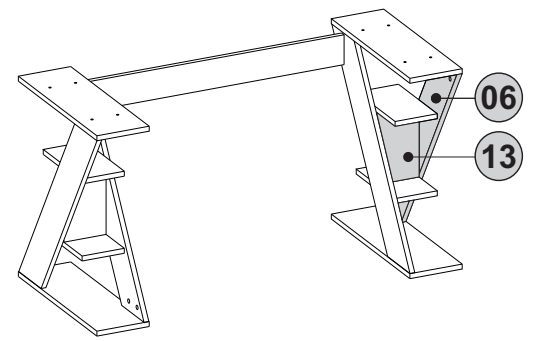
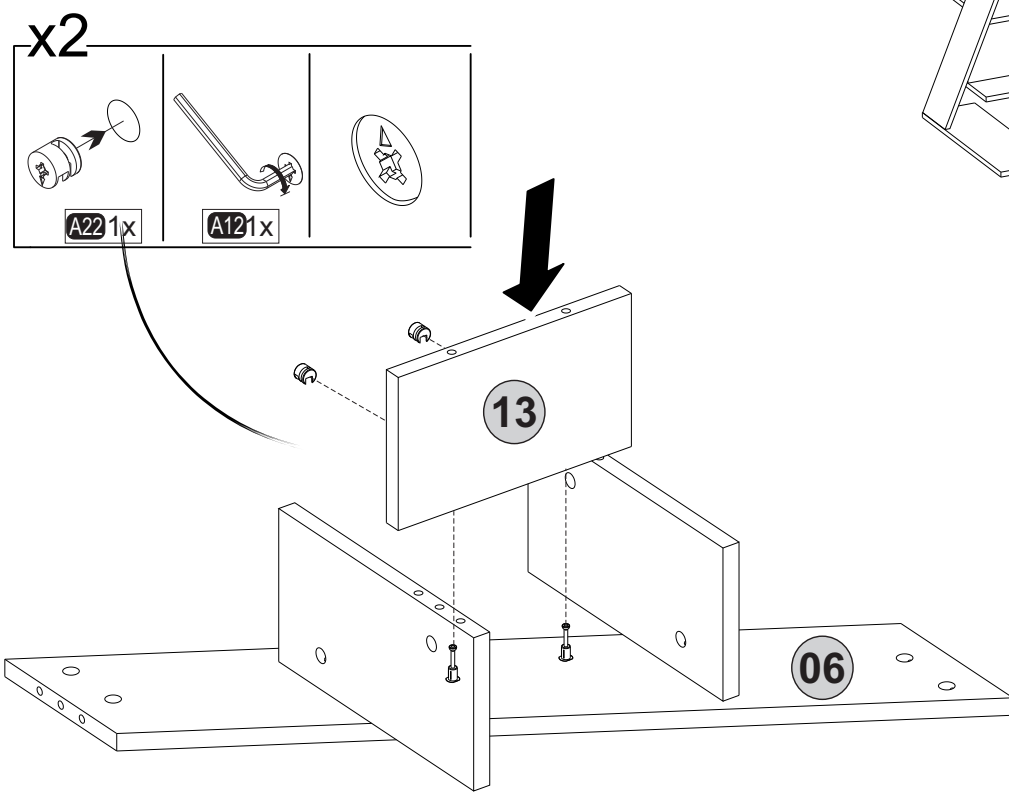
9



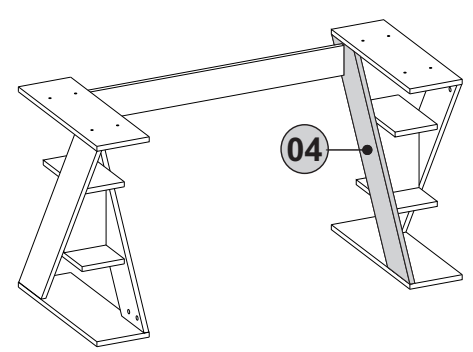
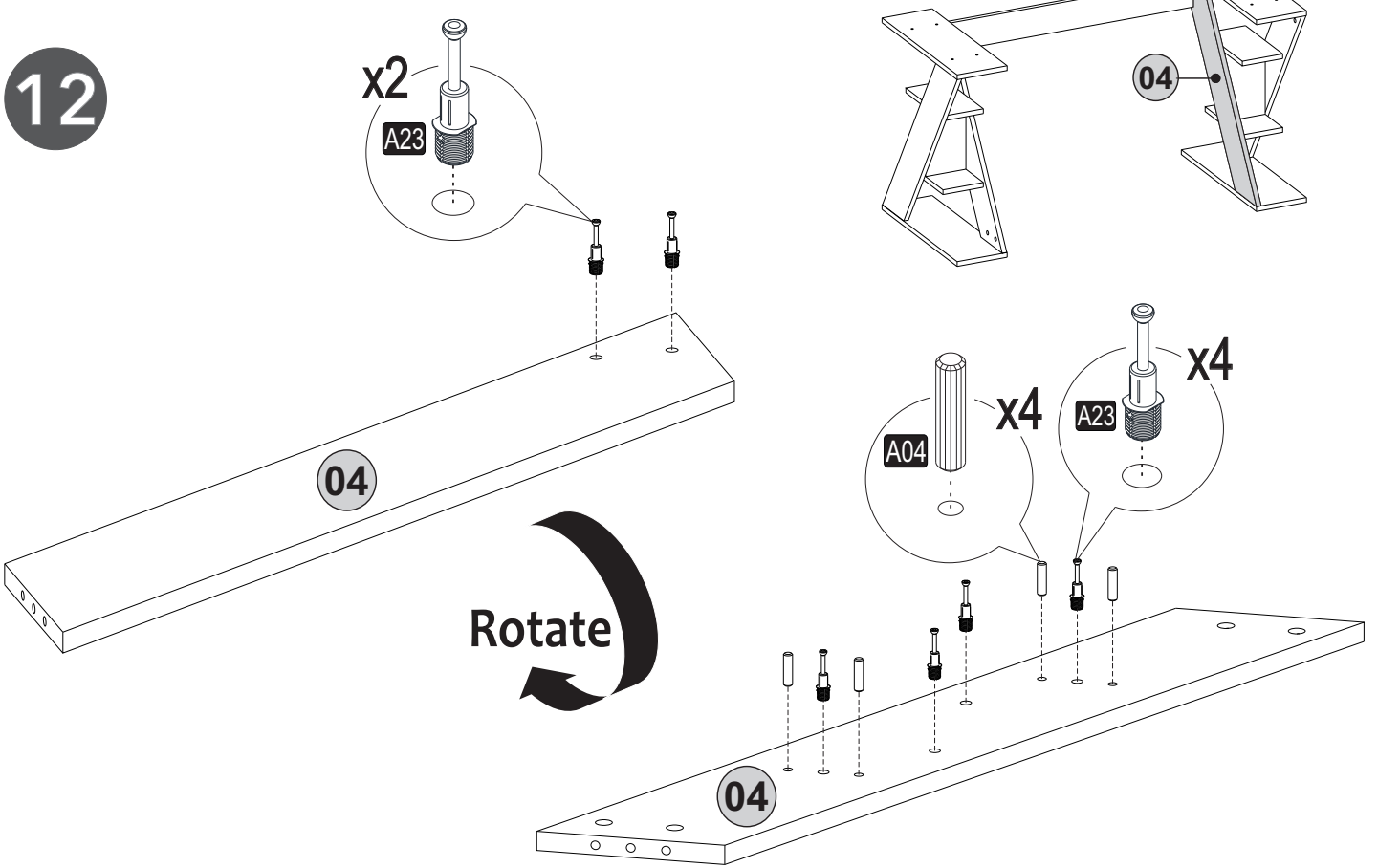
10



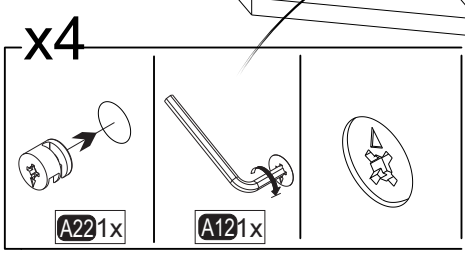
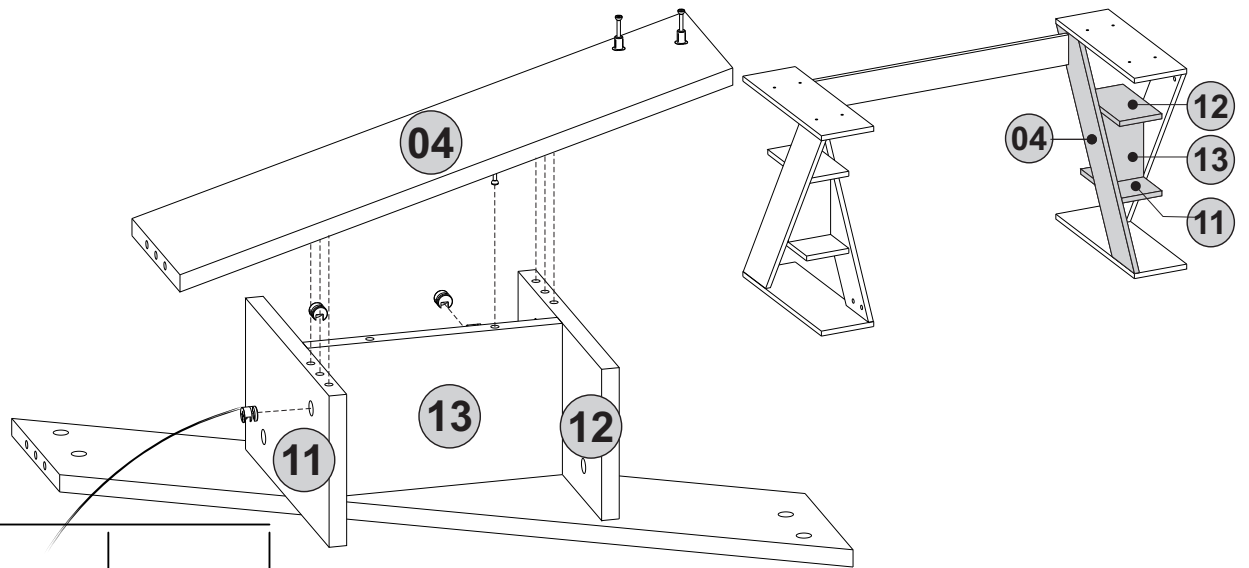
11



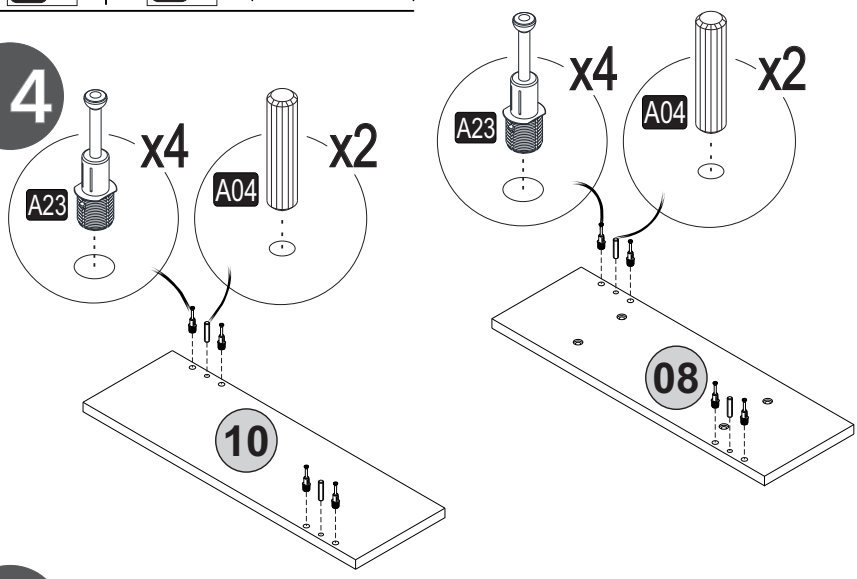
12



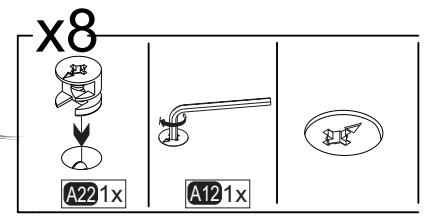
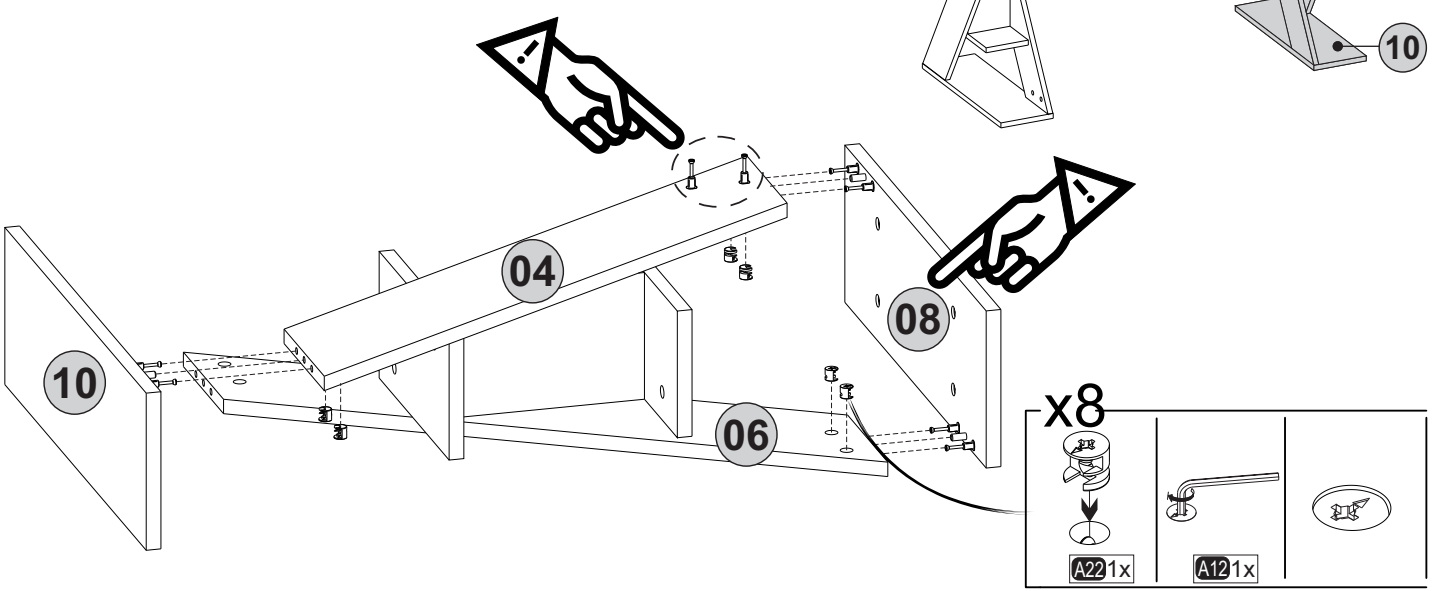
13



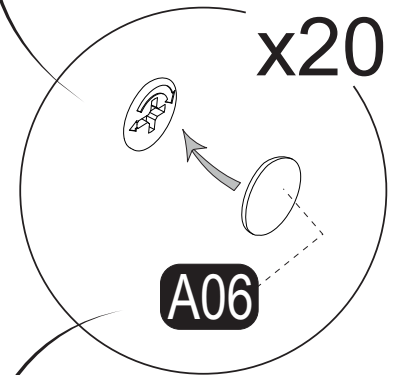
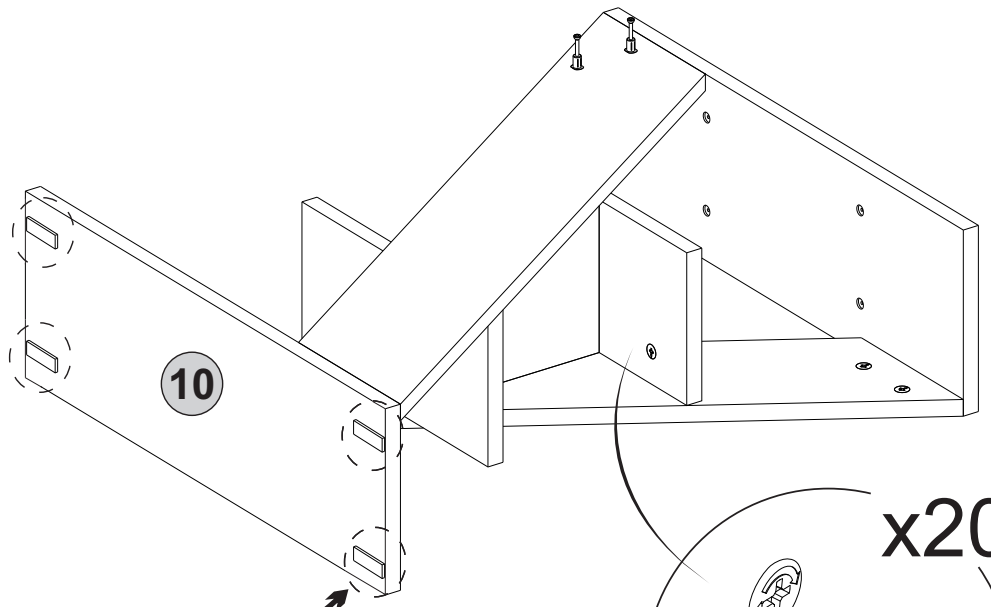
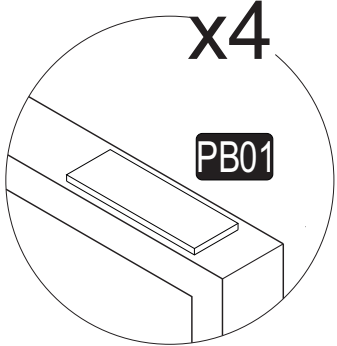
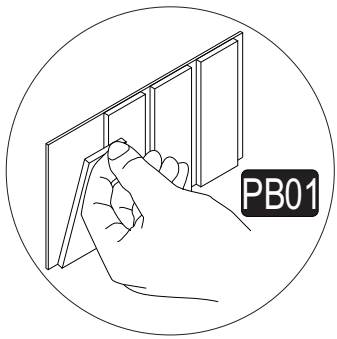
14



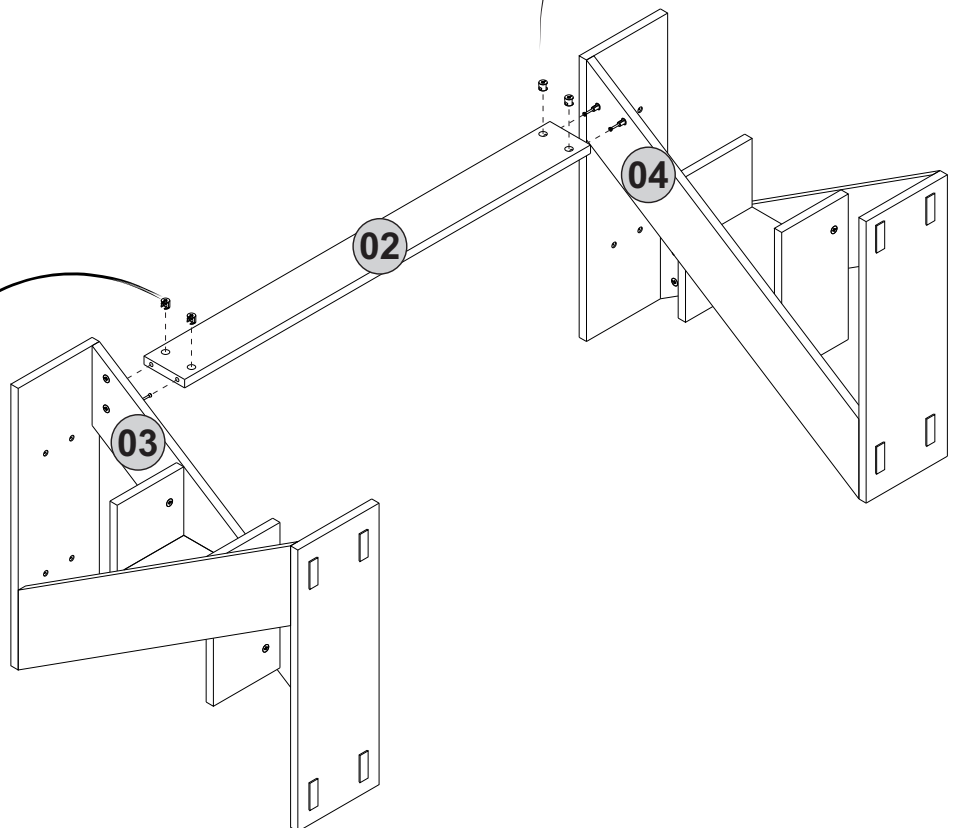
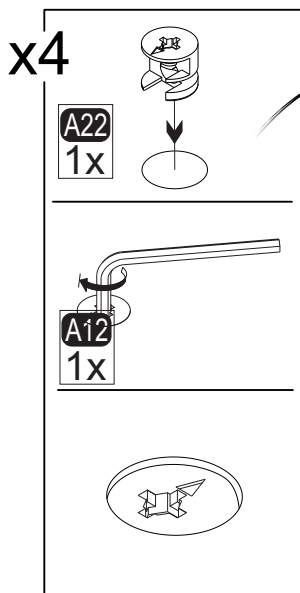
15



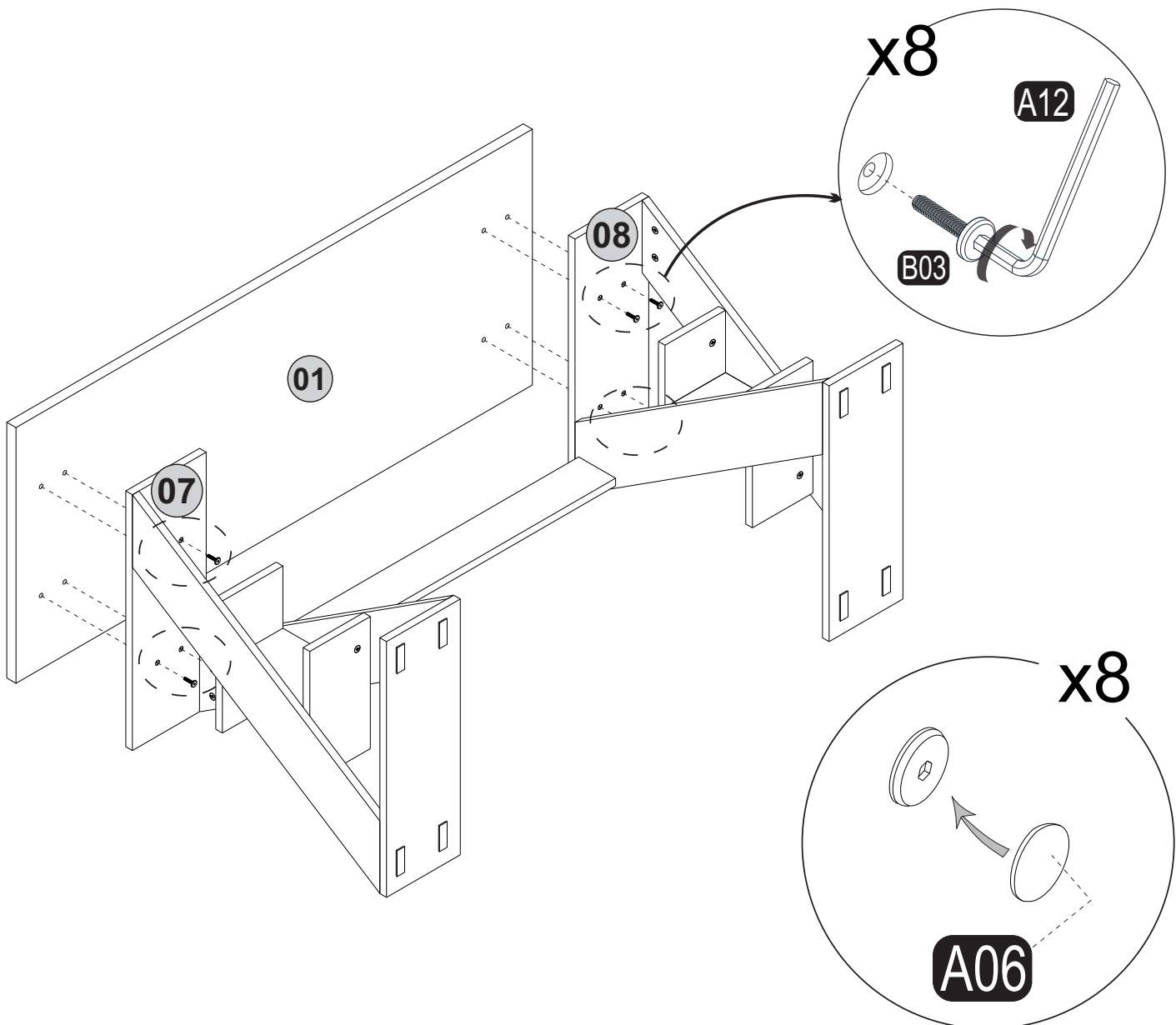
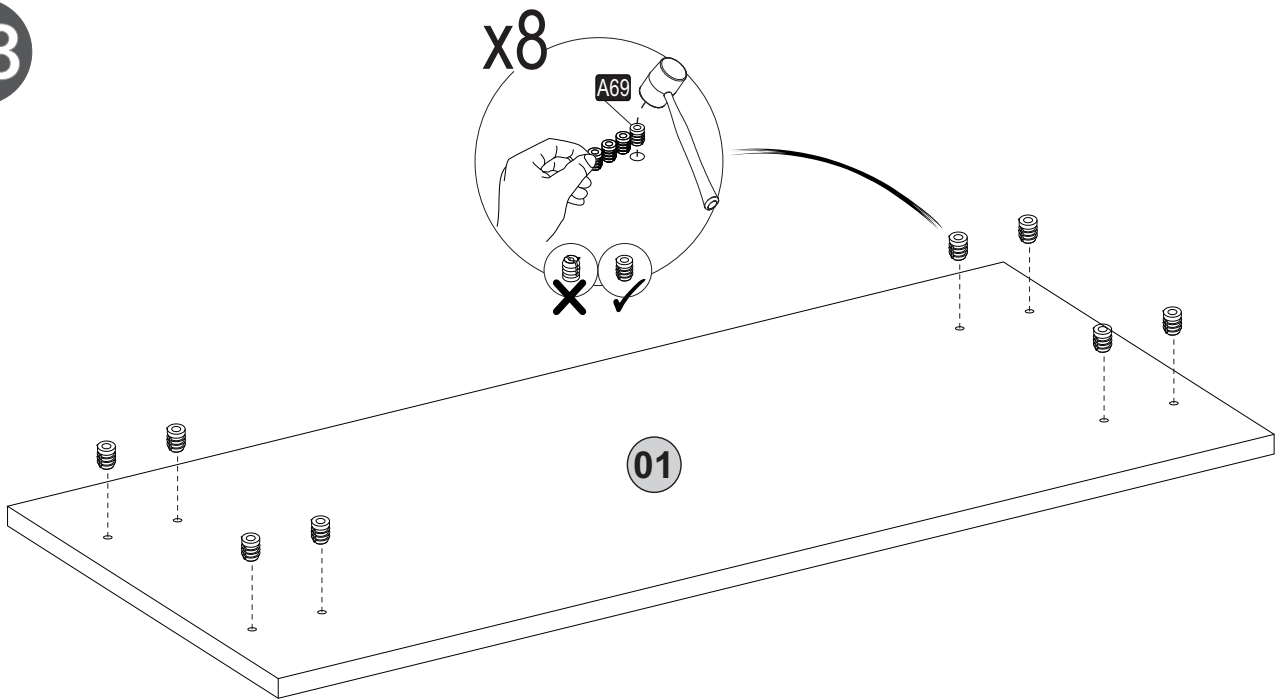
16



17



18



19

