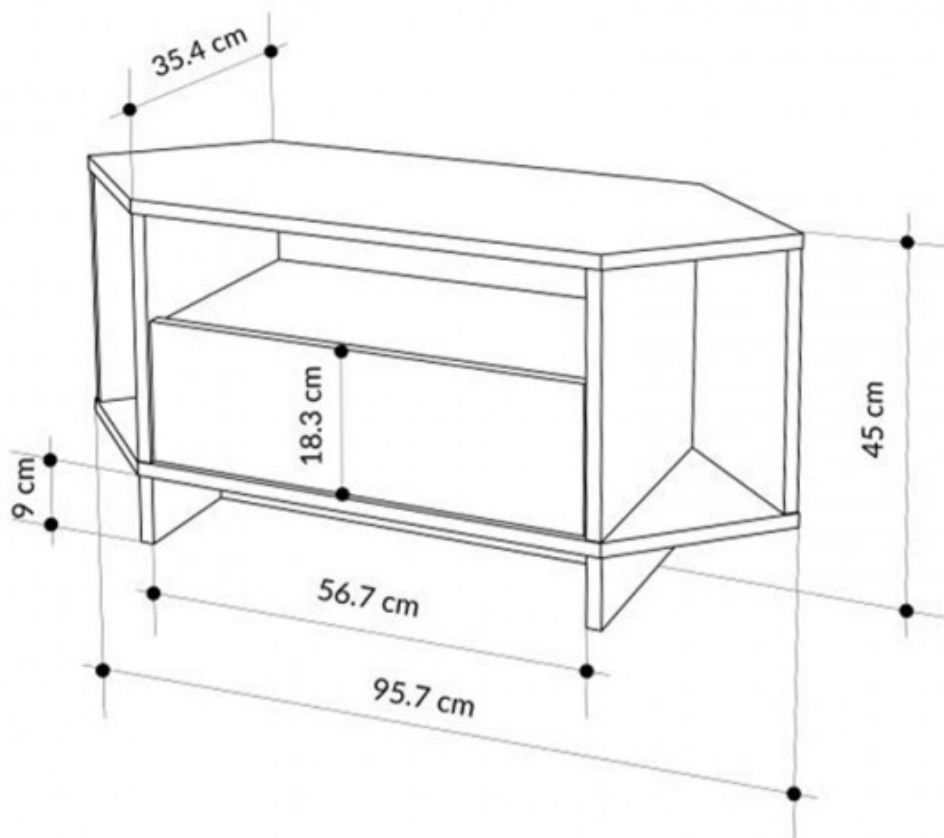
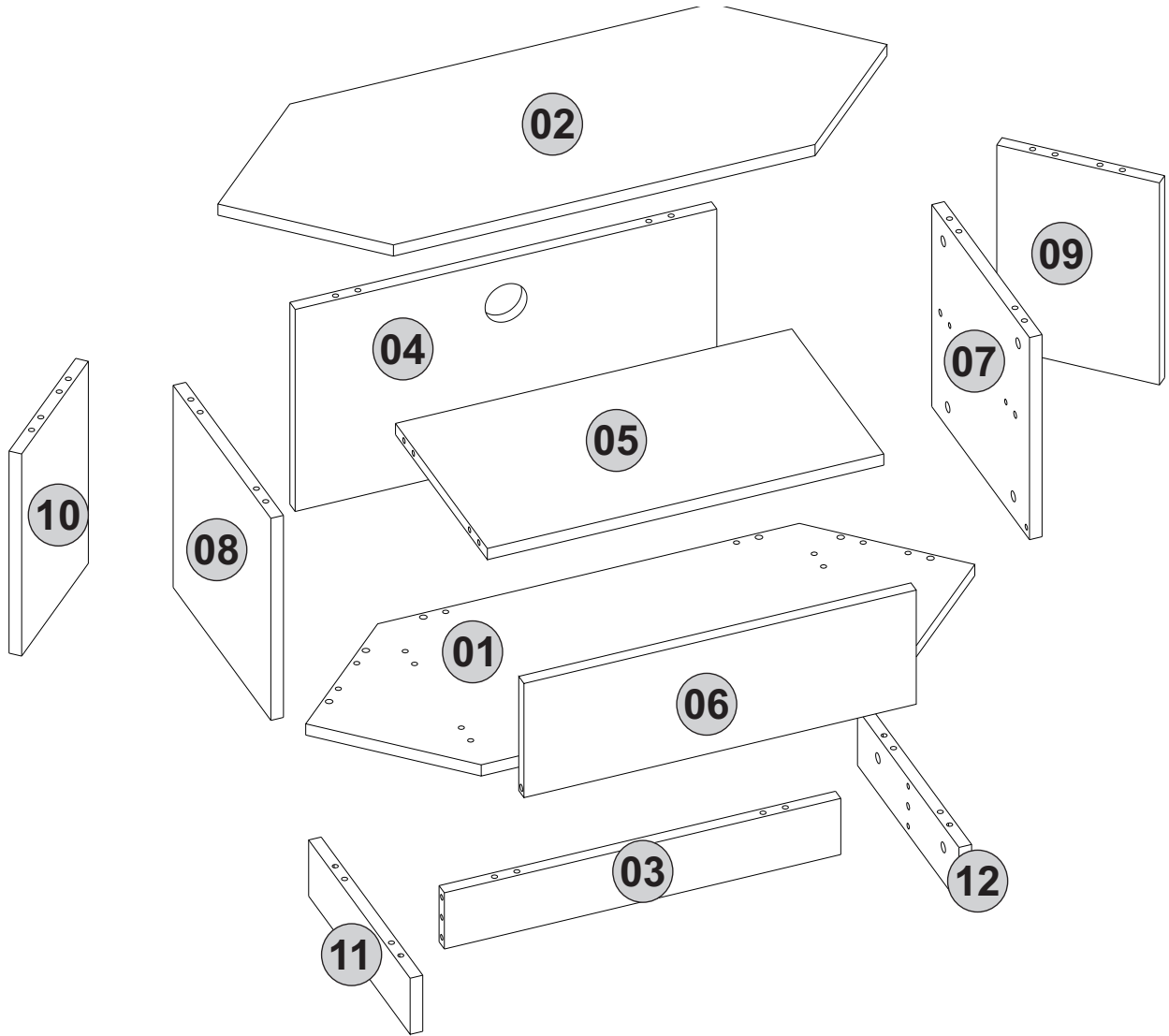

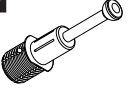

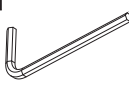



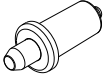

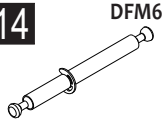

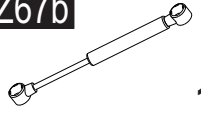

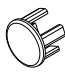
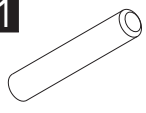
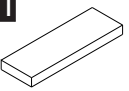




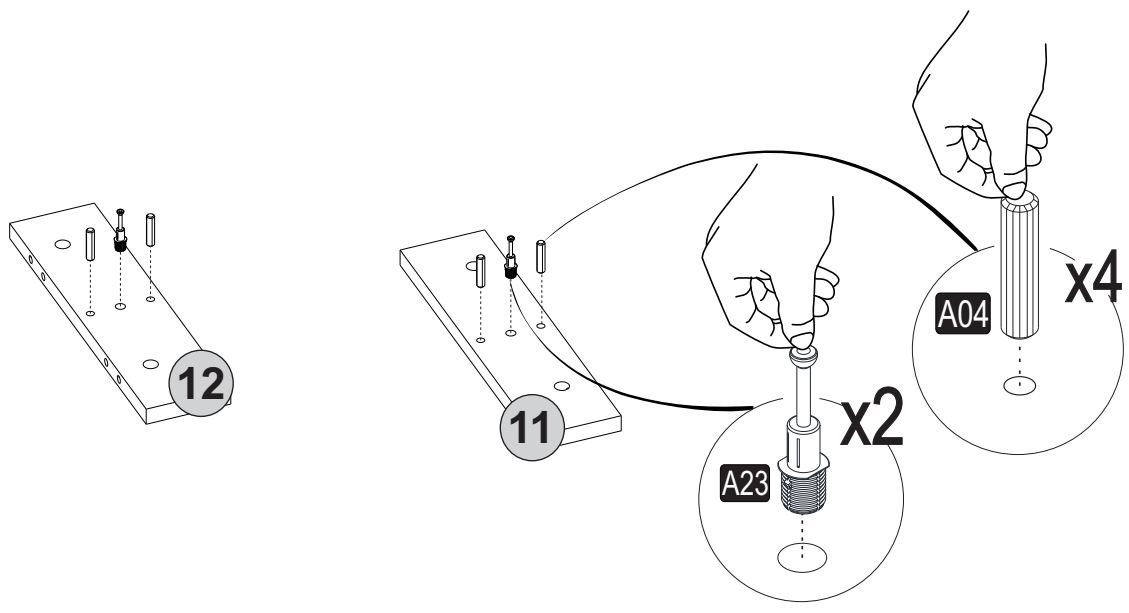
GP037-0273,2



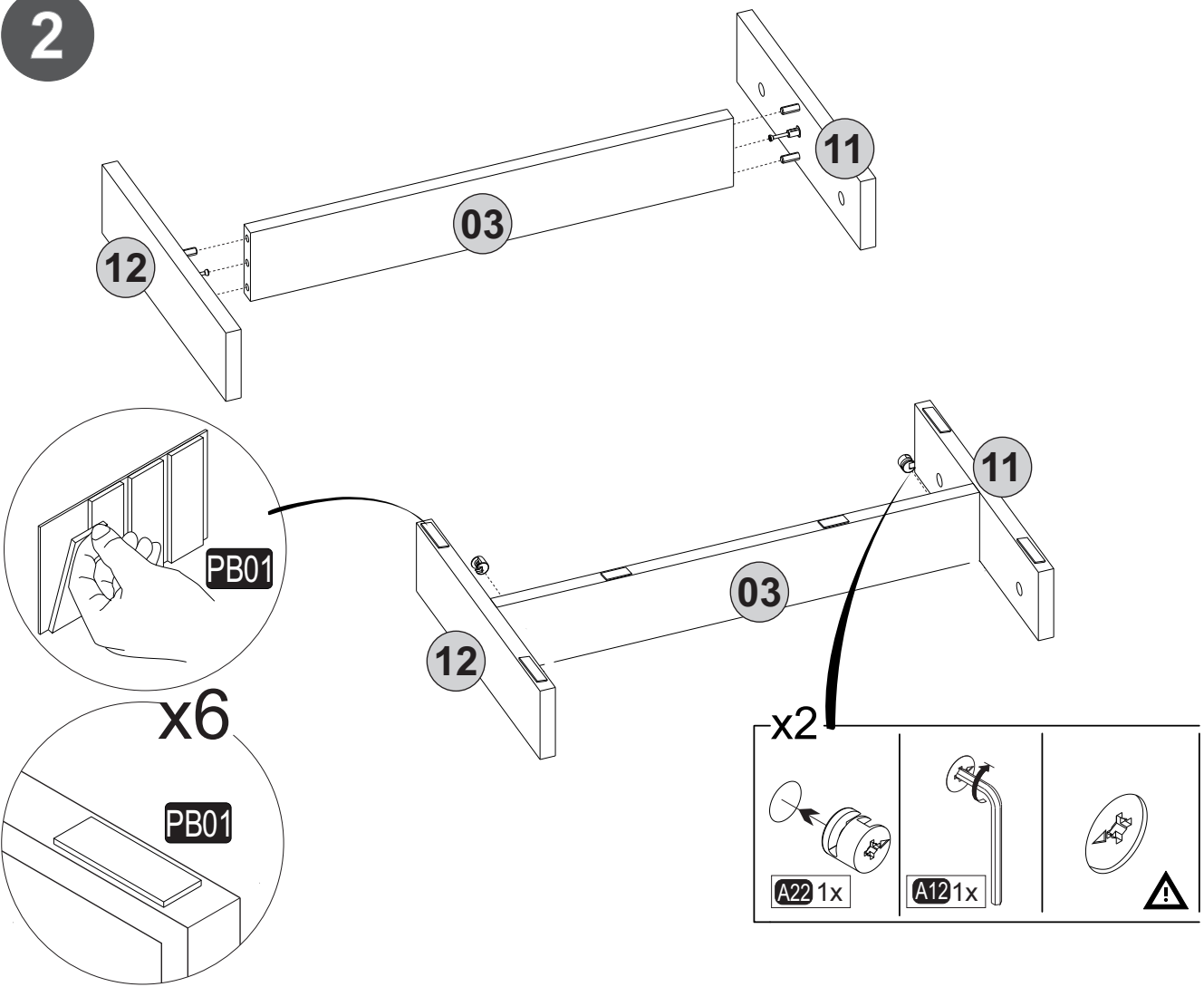


A22 Minifix k18  32x	A23 Minifix M10  24x	A04 Ø8x30  26x	A12 Allen  1x	A06 18mm  C1-32x
Z158 MÇK galvaniz  1x	A18 3,5x18  8x	A65 Mil Mentese  2x	A96 MÇP  1x	A14 DFM6-86  4x
Z67a DKP  1x	Z67b DKP  1x	Z67c DKP  1x	Z67d DKP  2x	A41 Ø8x55  4x
PB01 Kece  6x				

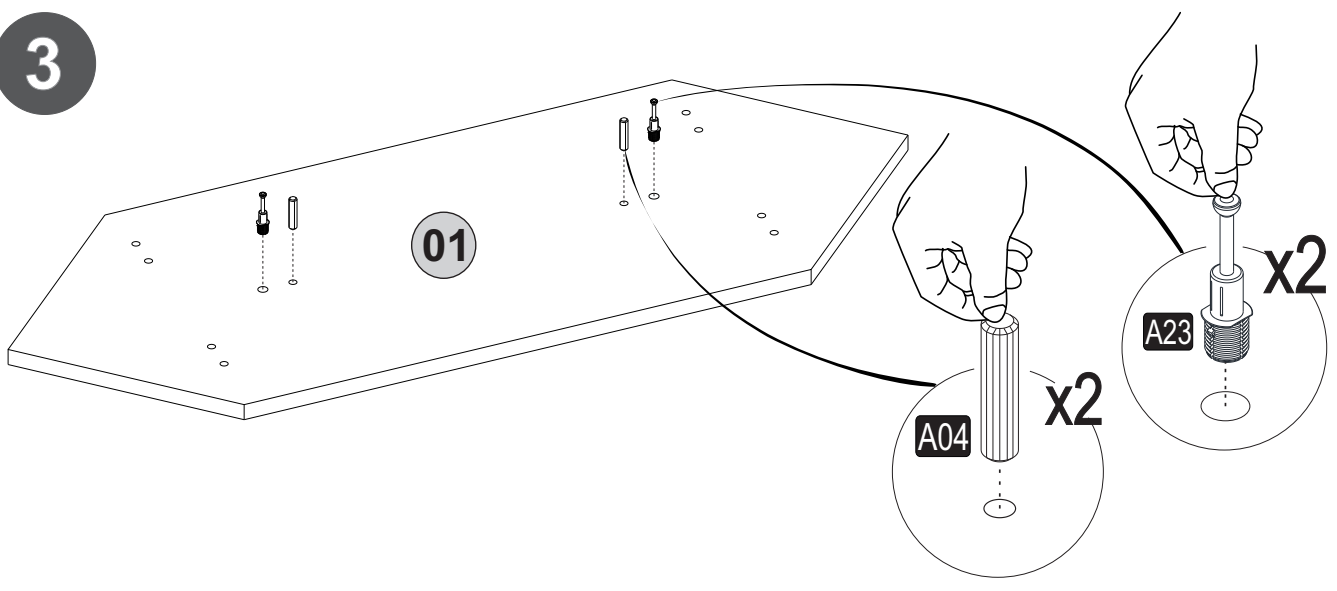
1



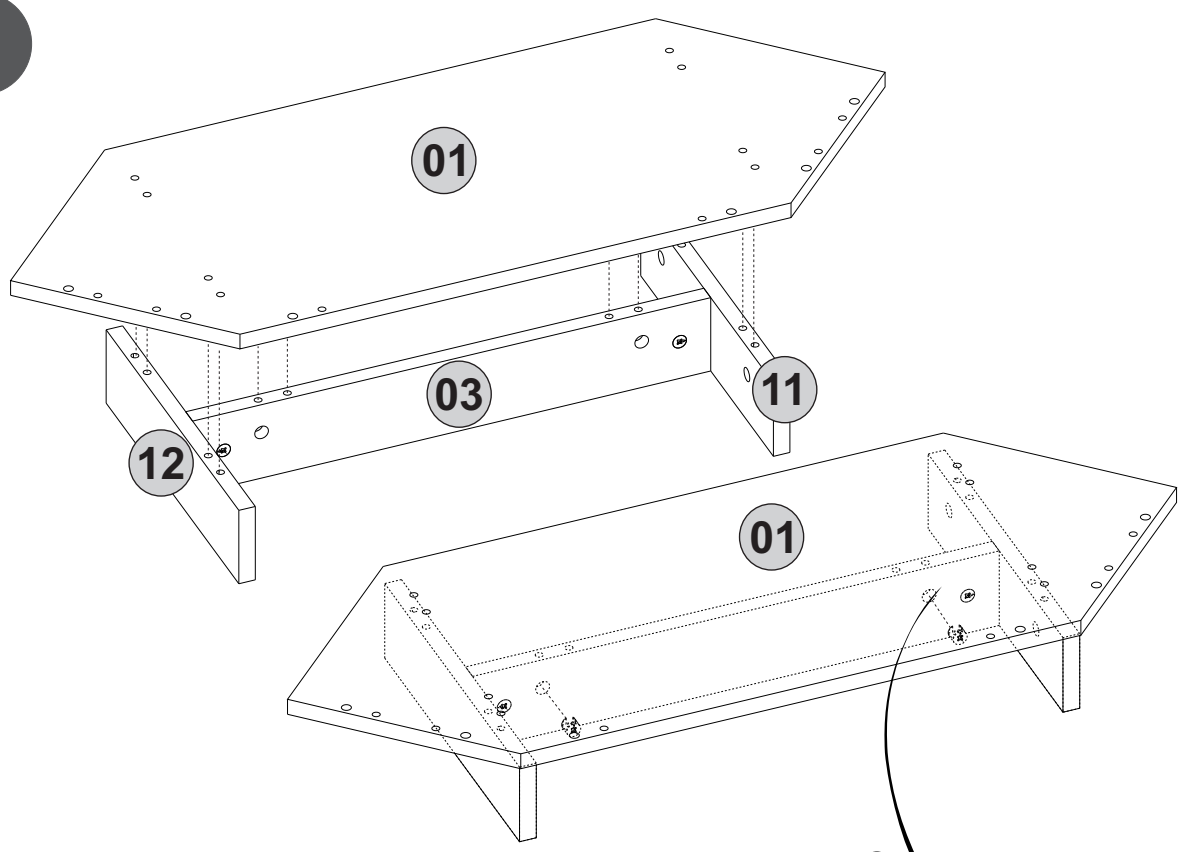
2



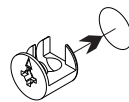


3



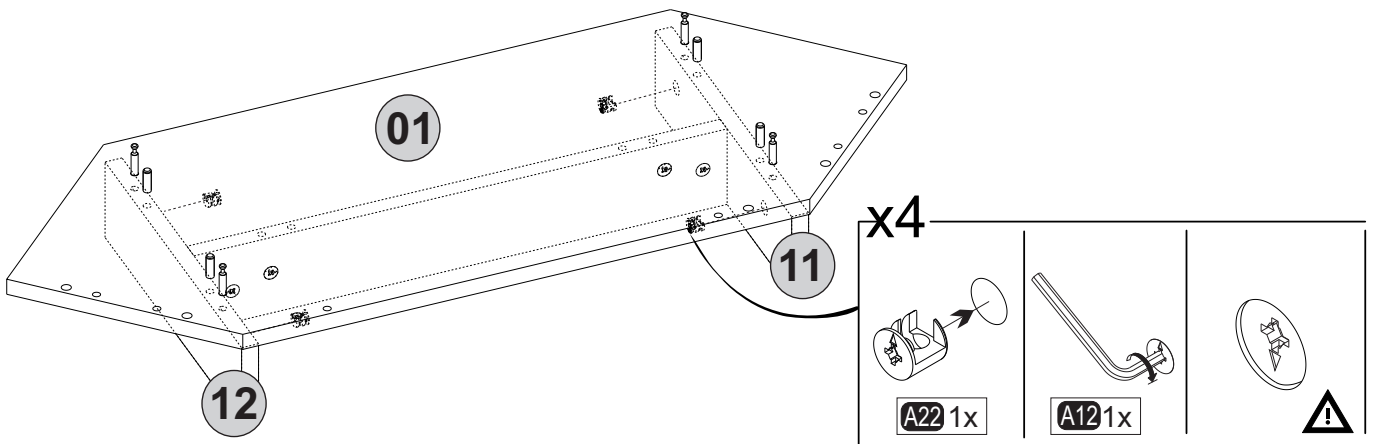
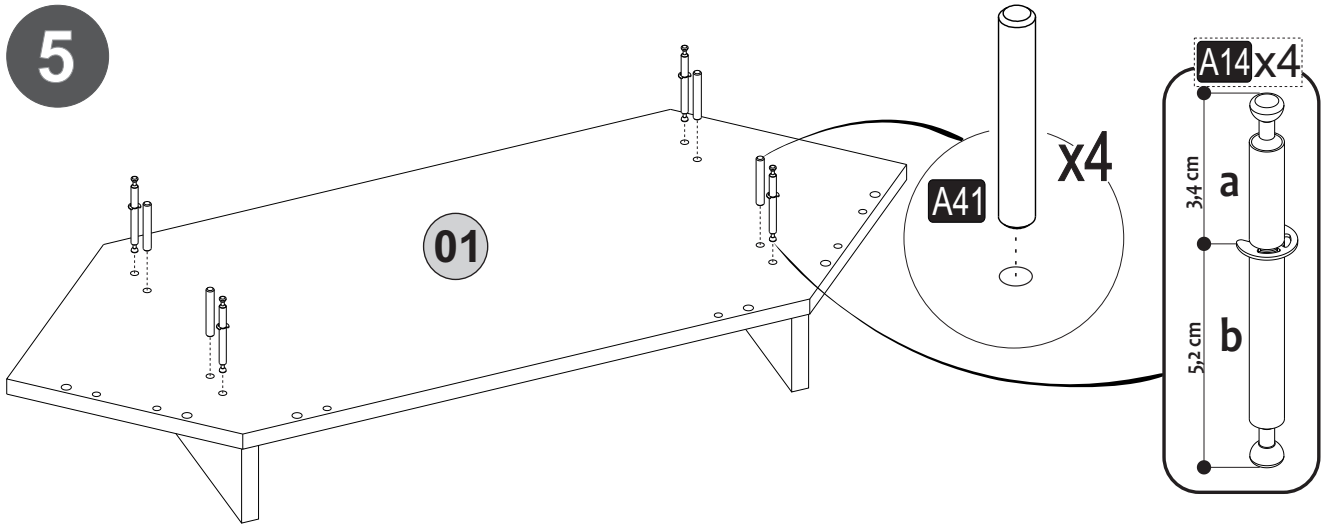
4



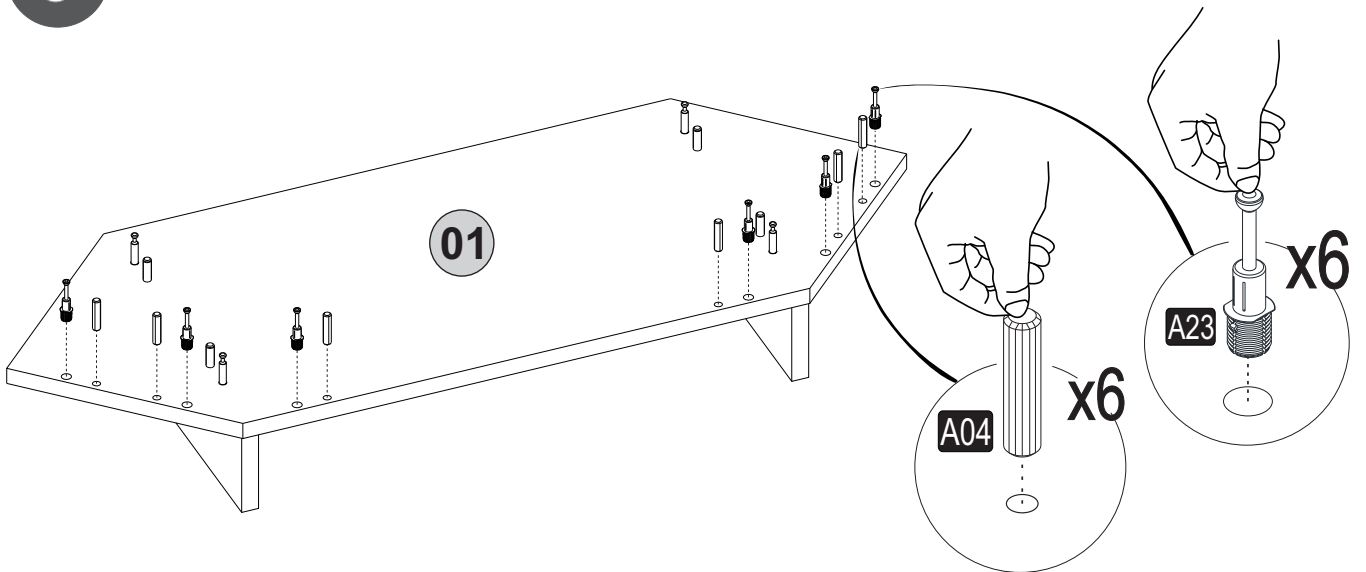
x2

 A22 1x	 A12 1x	
---	---	---

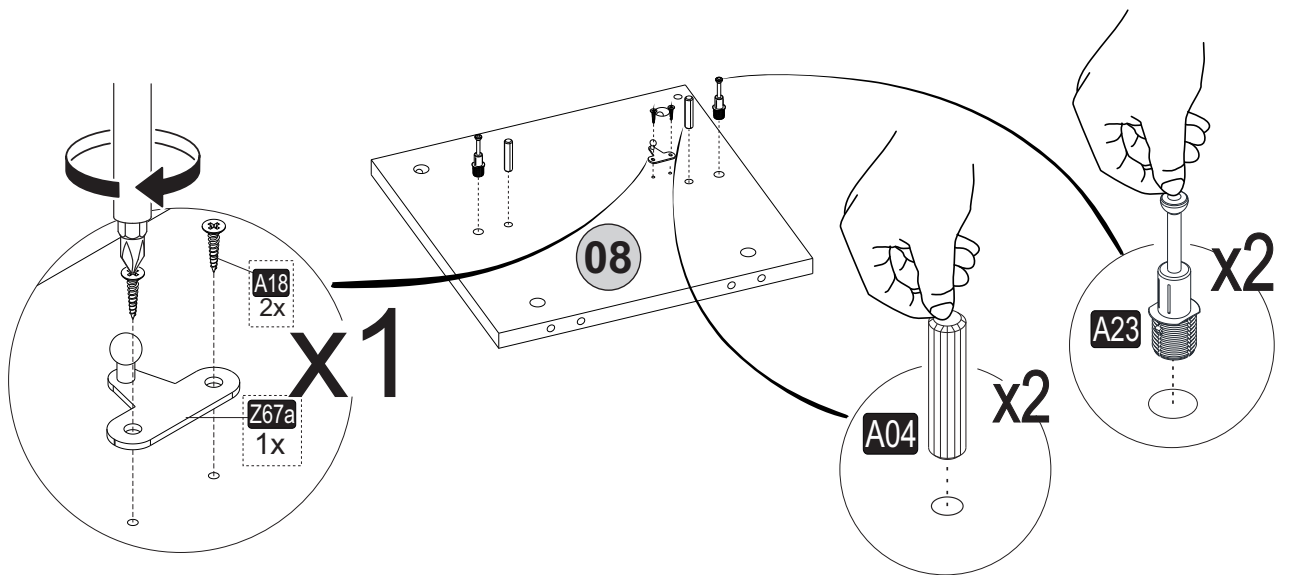
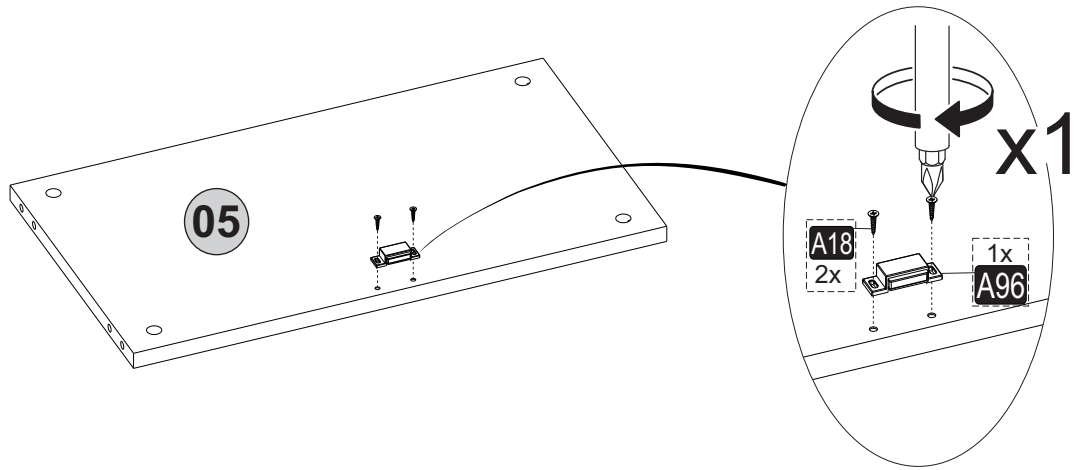
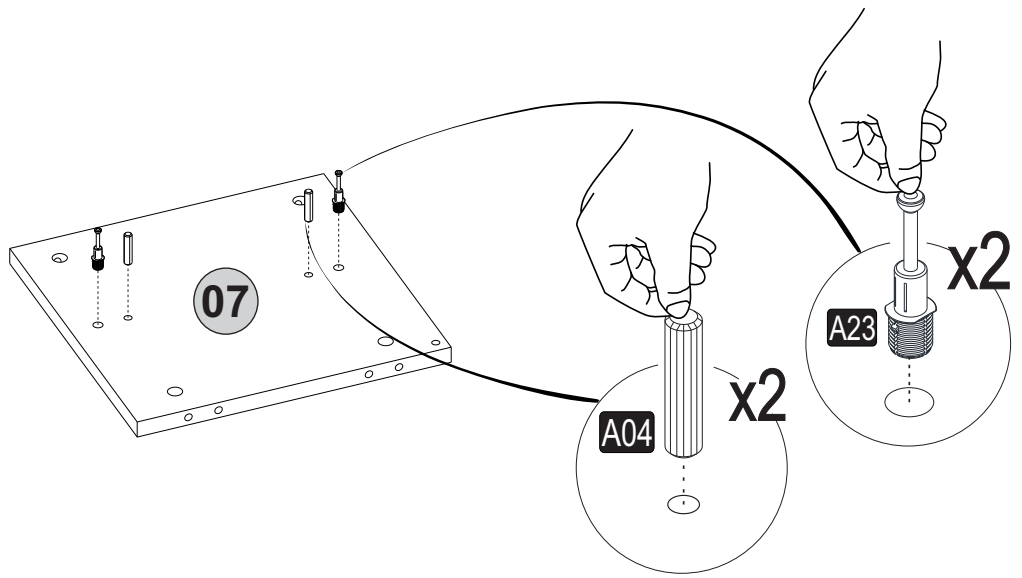
5



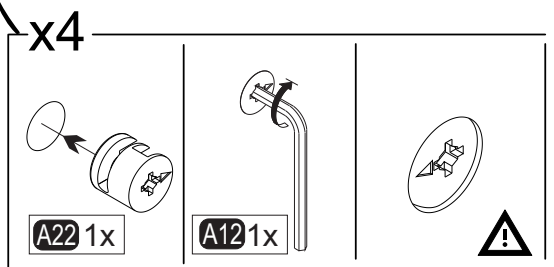
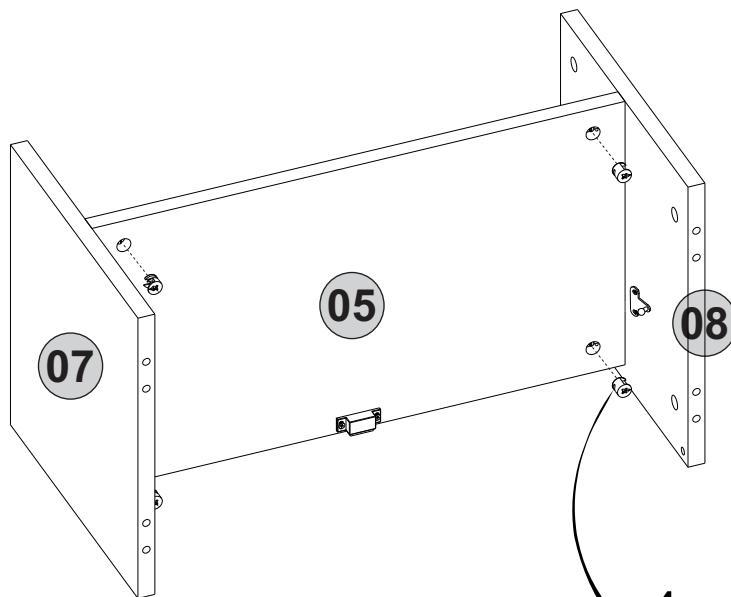
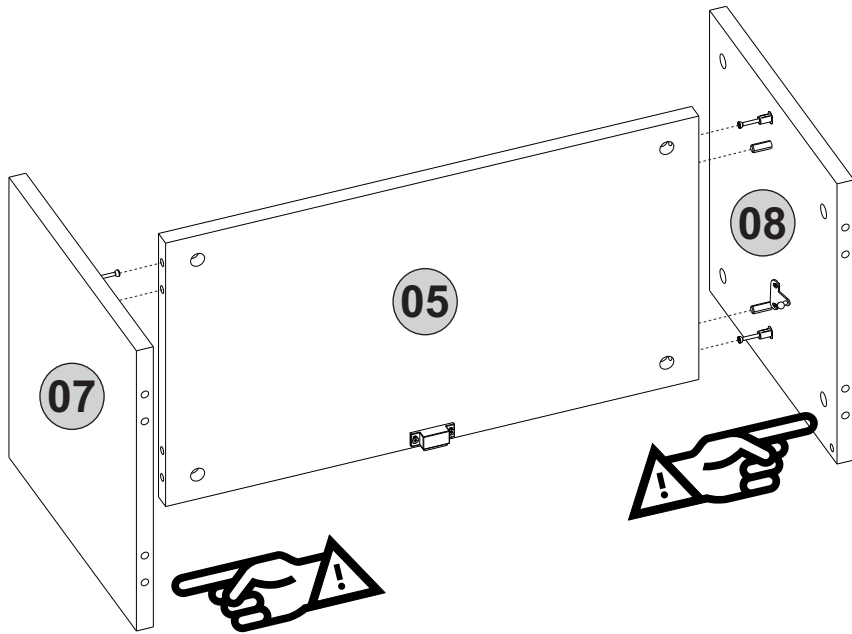
6



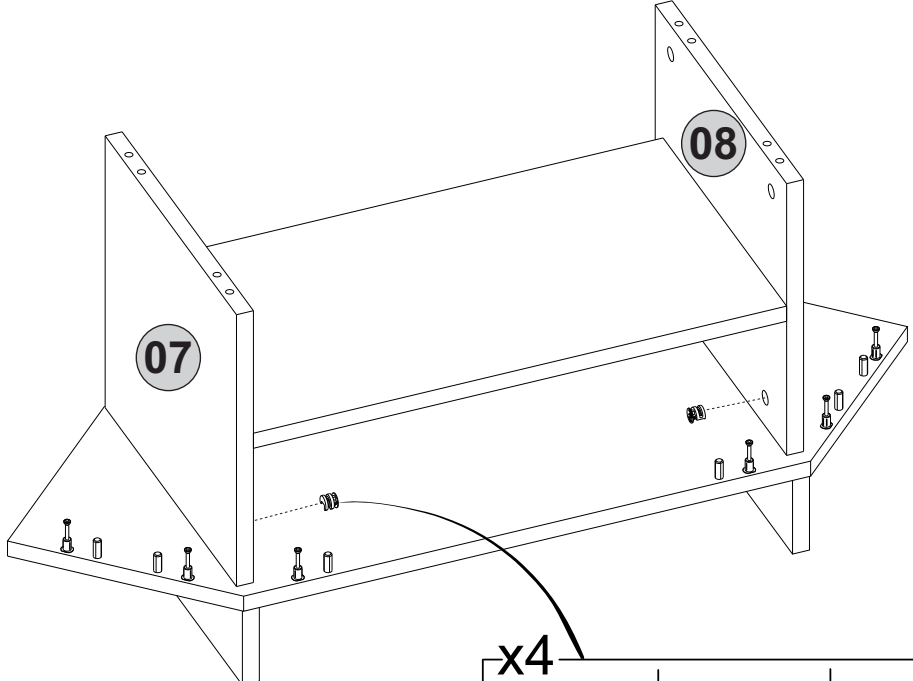
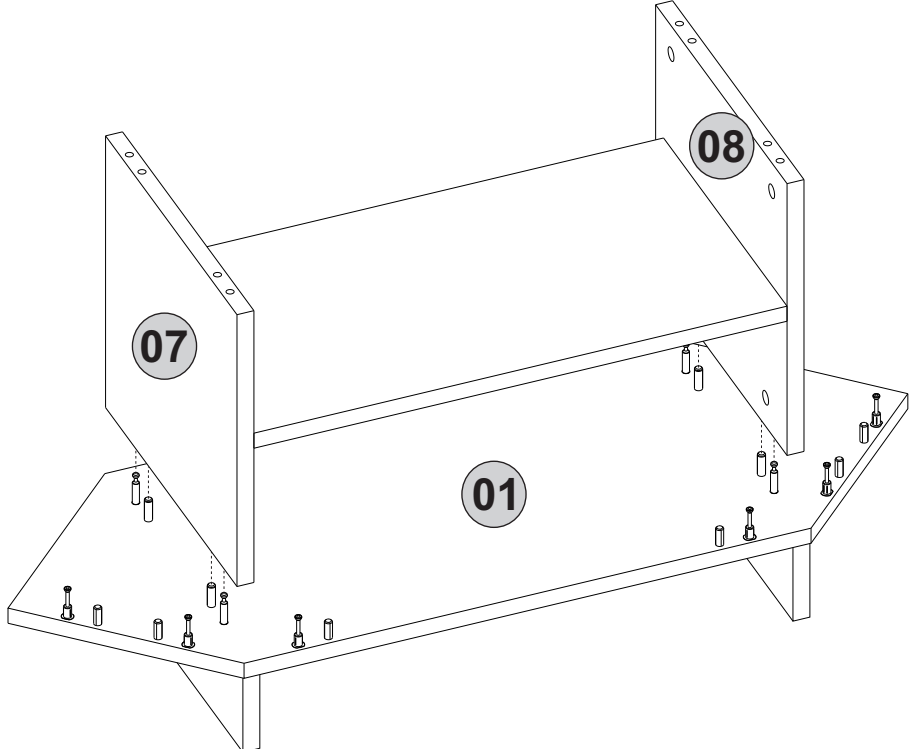
7



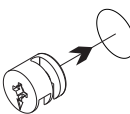
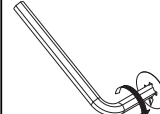

8



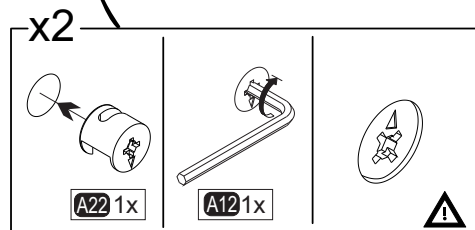
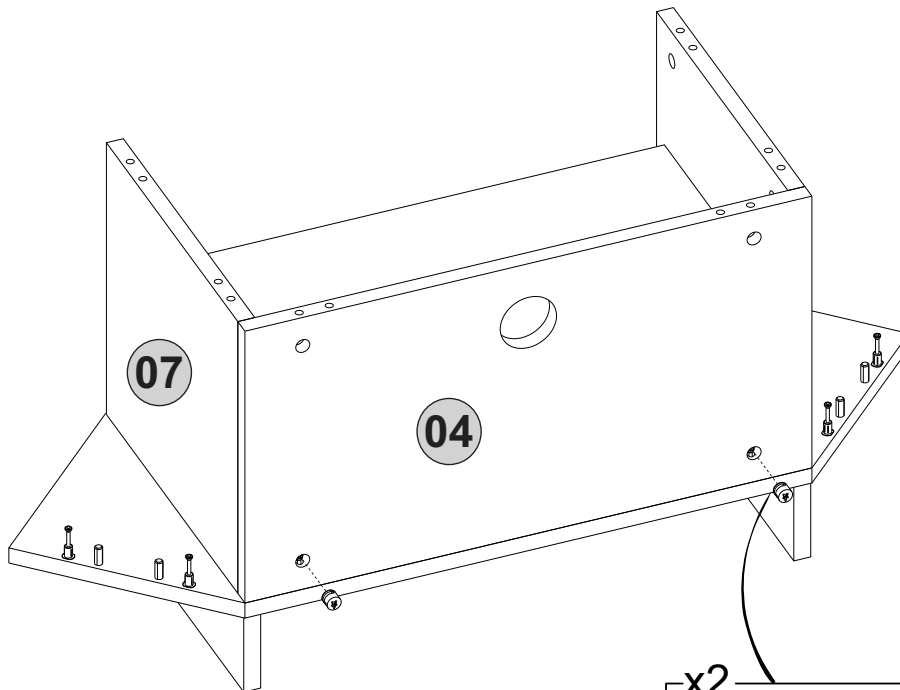
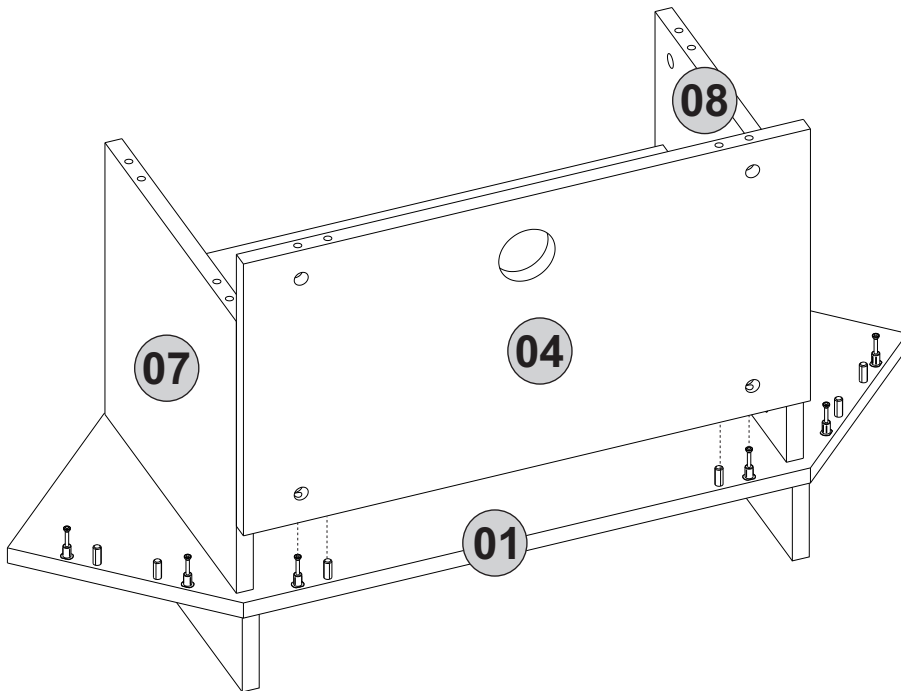
9



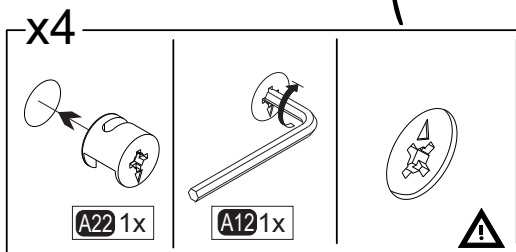
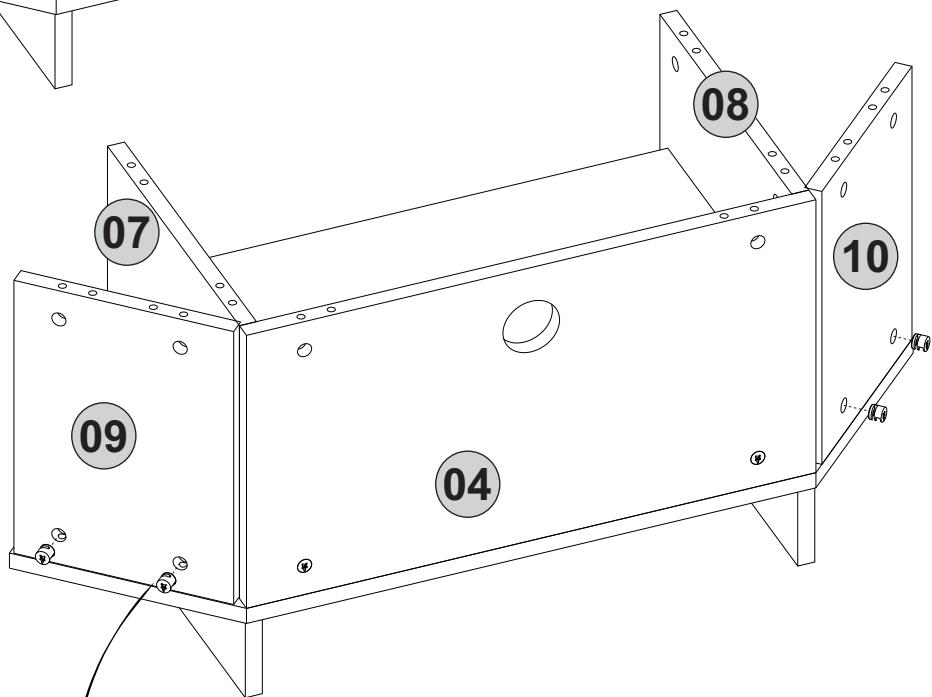
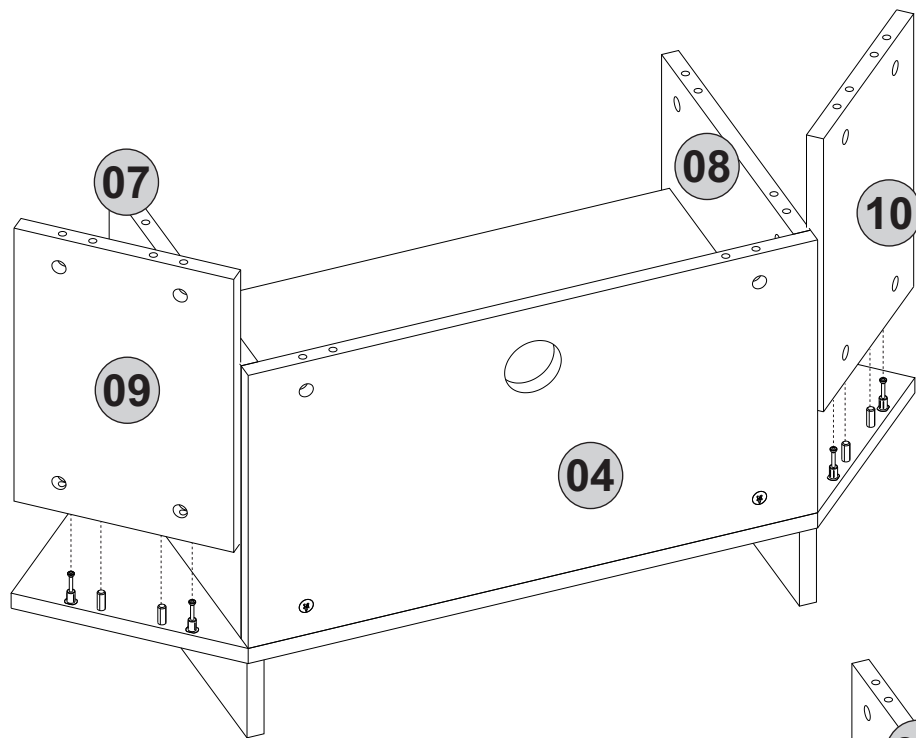
x4

 A22 1x	 A12 1x	 !
--	---	--

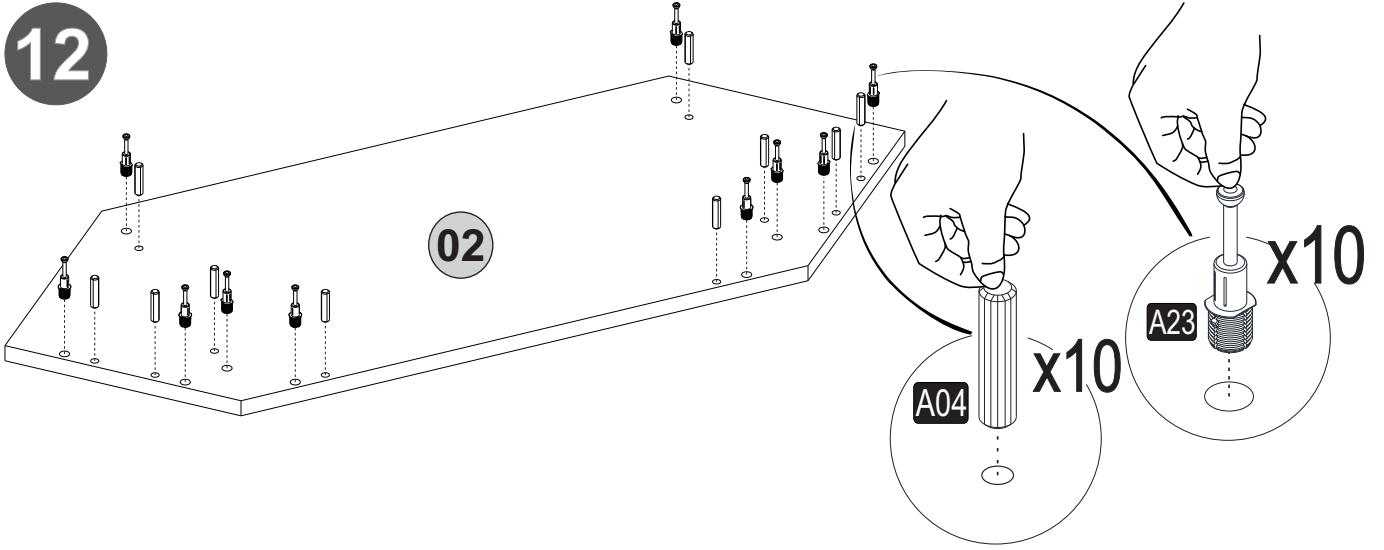
10



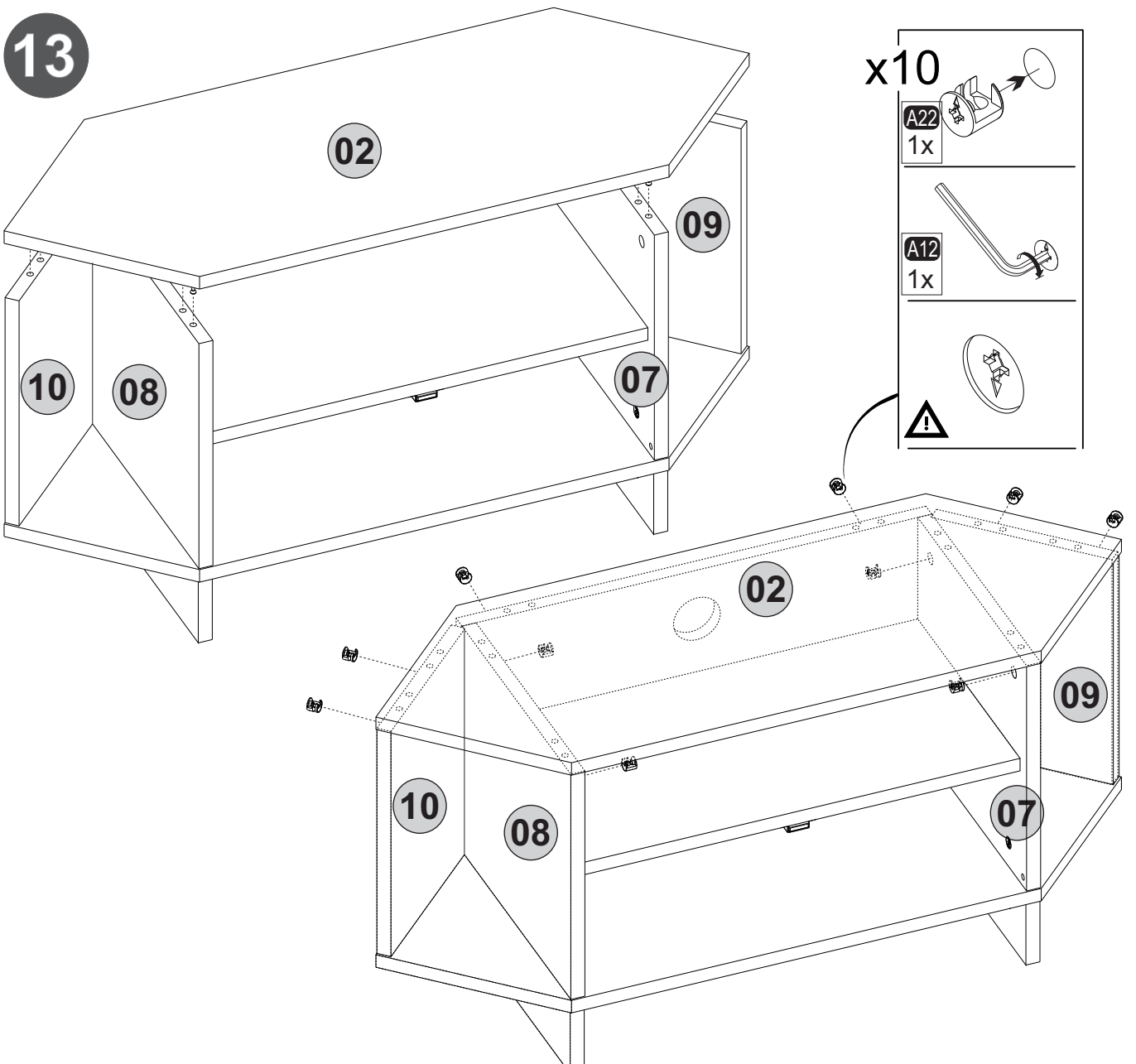
11



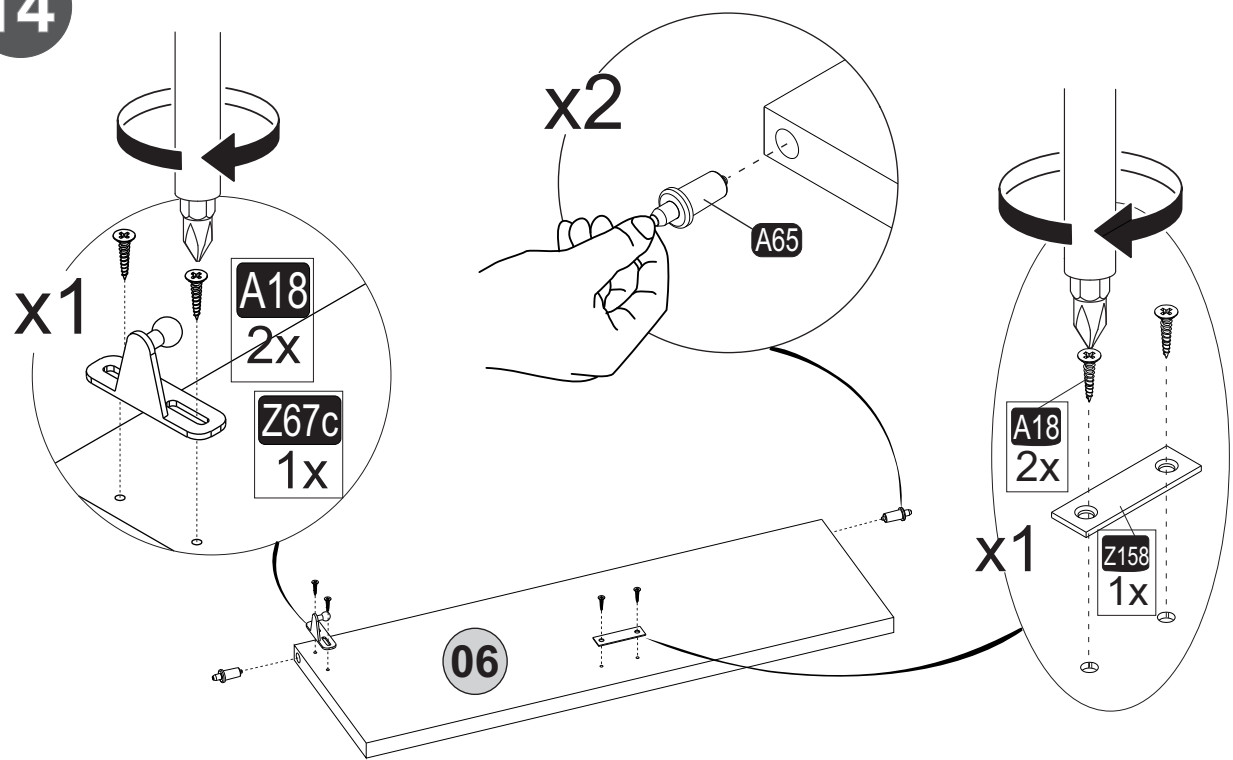
12



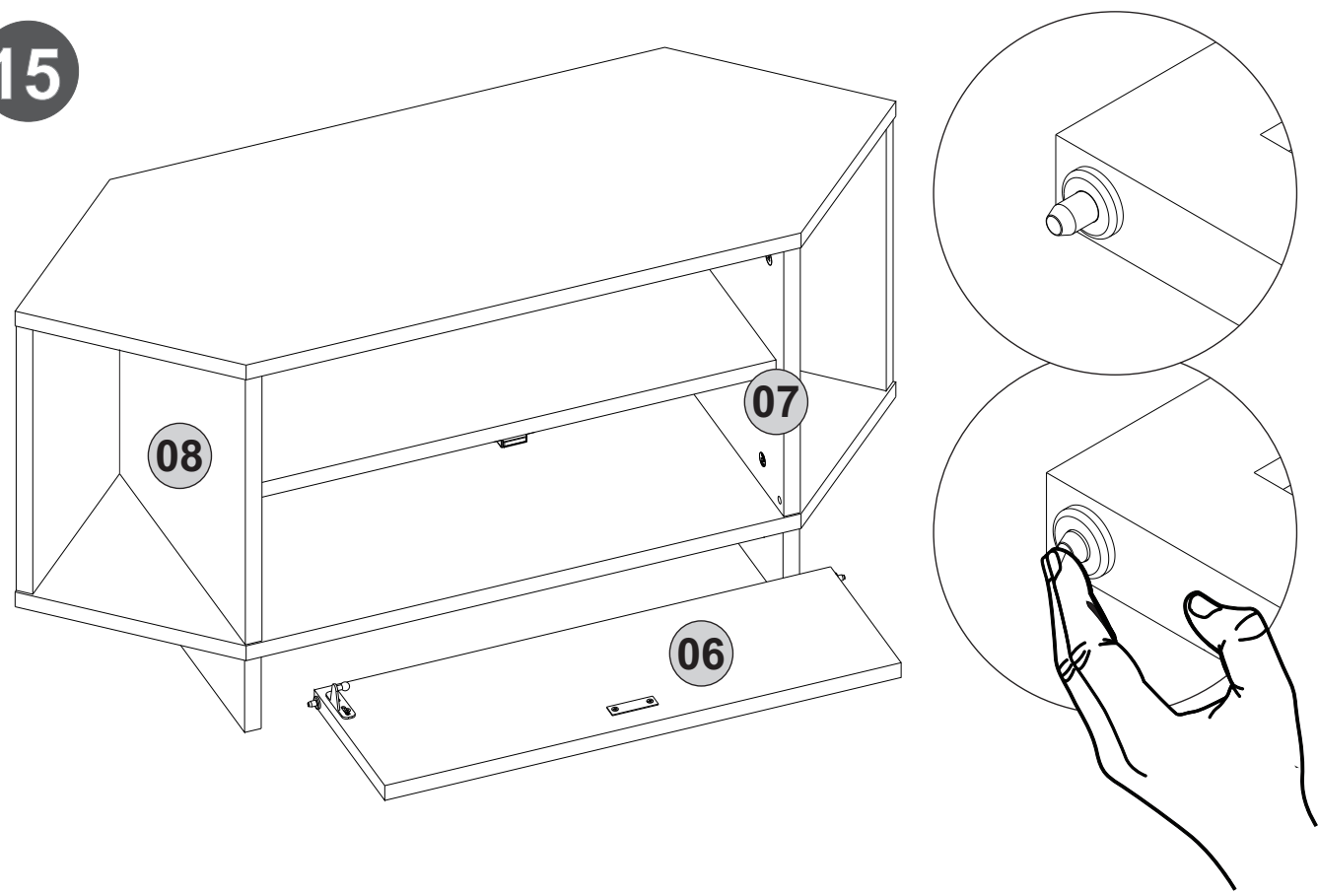
13



14



15



16

