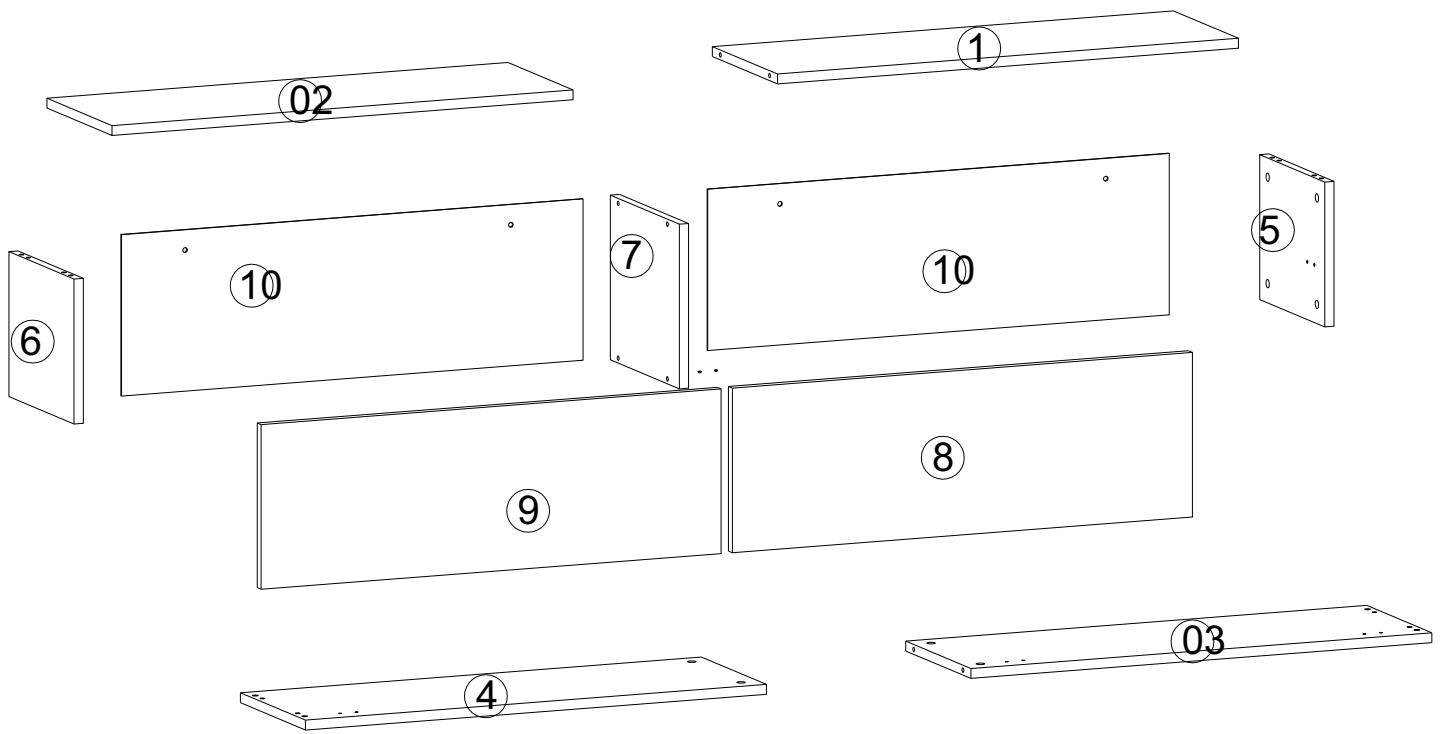

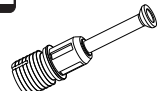

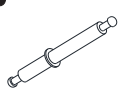
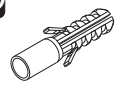


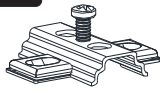
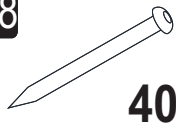


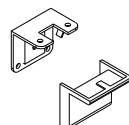



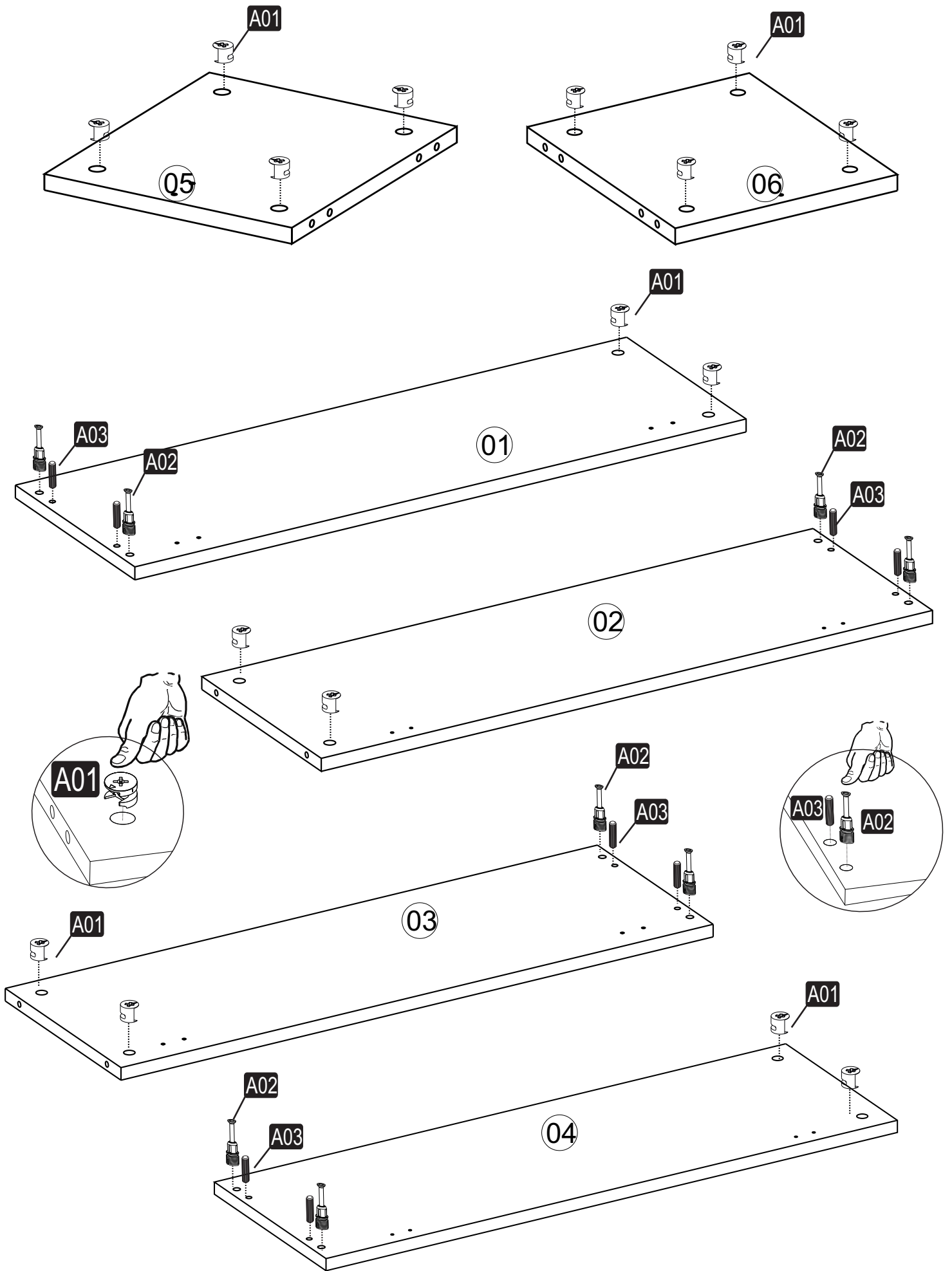
**i** GP042-0328,1



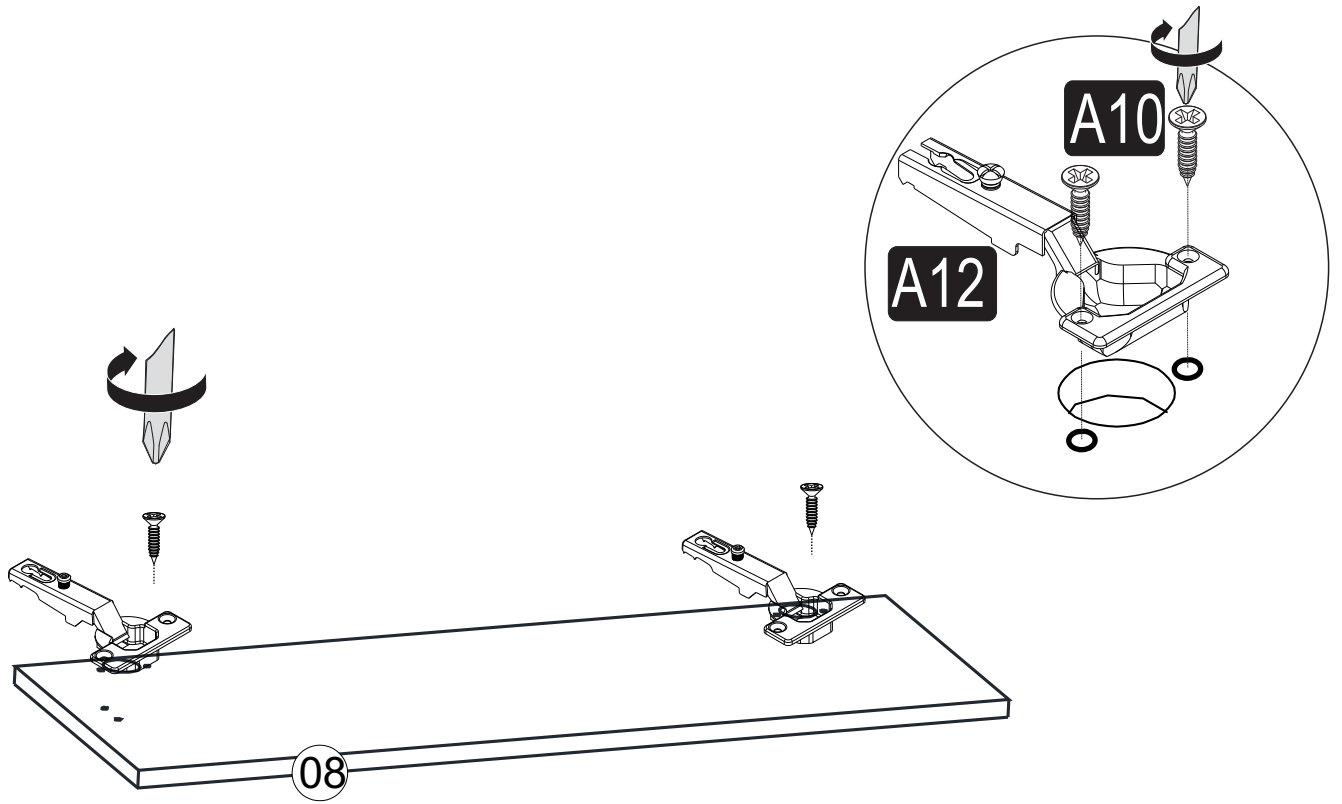
241,8 x 31,7 x 30cm



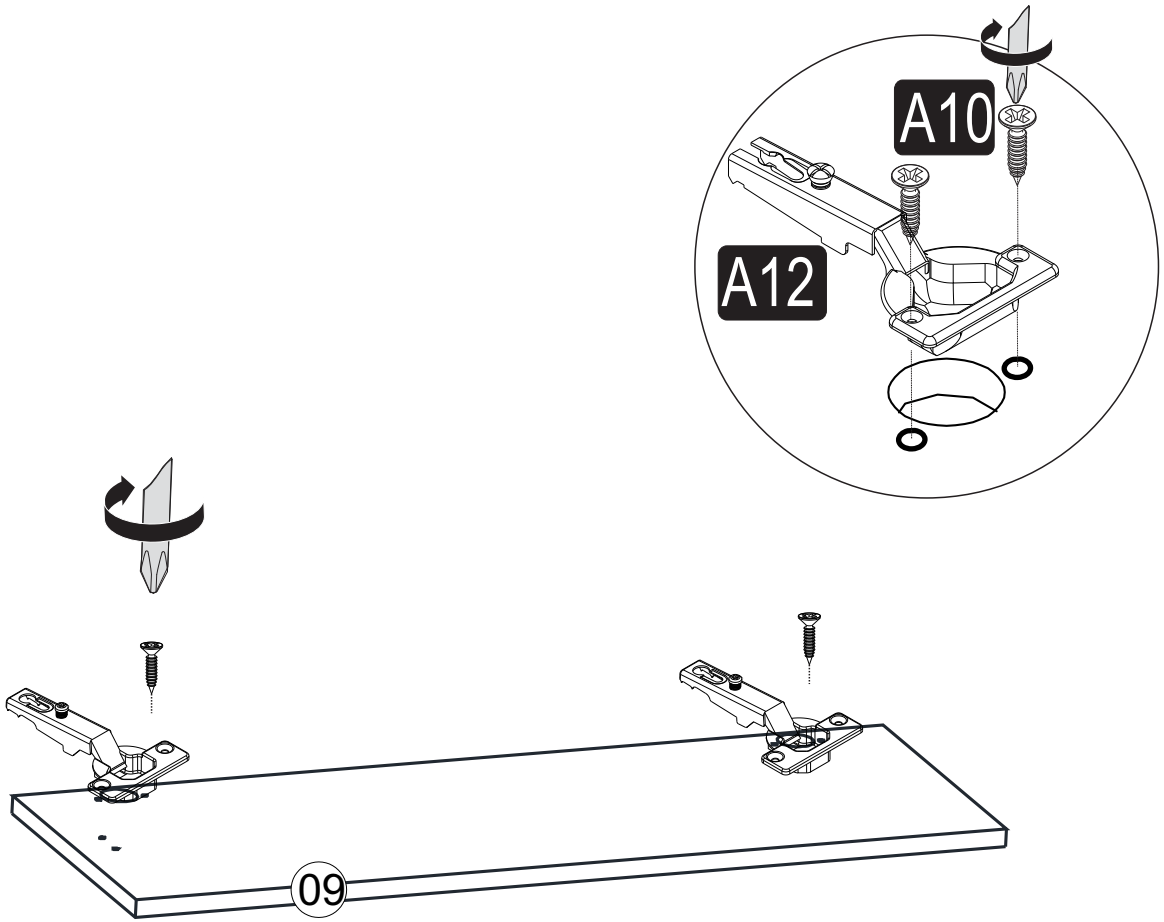
<b>A01</b>  <b>16x</b>	<b>A02</b>  <b>8x</b>	<b>A03</b>  <b>8x</b>	<b>A06</b> UM(Sgml)  <b>4x</b>	<b>D69</b> Ø8  <b>4x</b>
<b>A19</b>  <b>2x</b>	<b>H48</b> DM  <b>4x</b>	<b>H49</b>  <b>4x</b>	<b>A28</b>  <b>40x</b>	<b>D41</b> 5x70 YHB  <b>4x</b>
<b>A10</b> 3,5x18 YHB  <b>32x</b>	<b>A41</b>  <b>4x</b>	<b>A04</b>  <b>A16x</b>	<b>0x</b>	<b>0x</b>



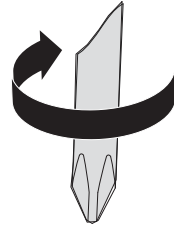
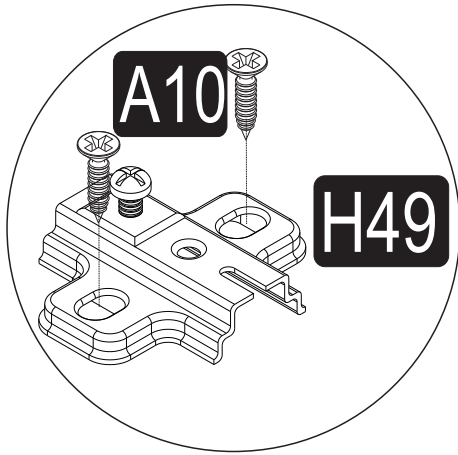
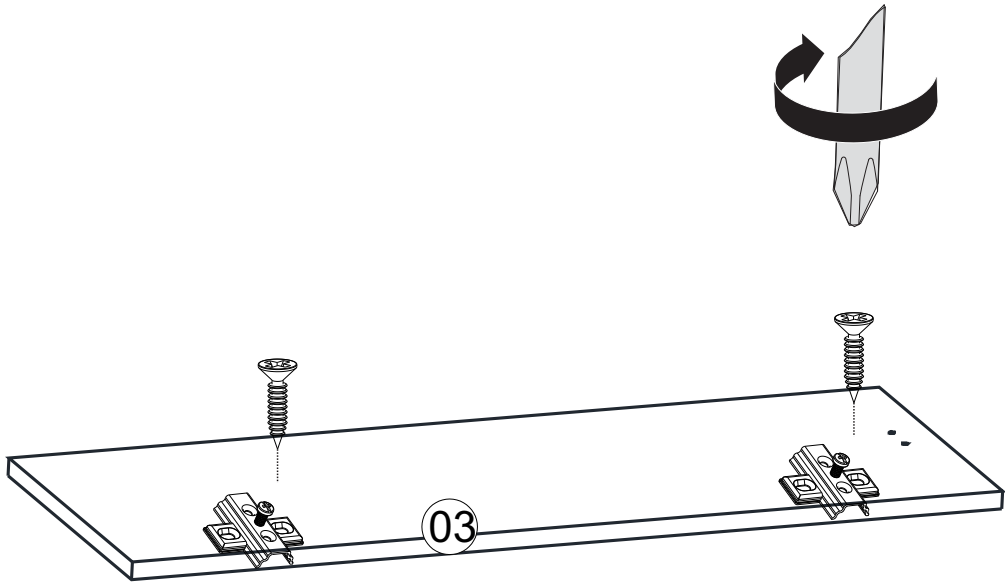
1



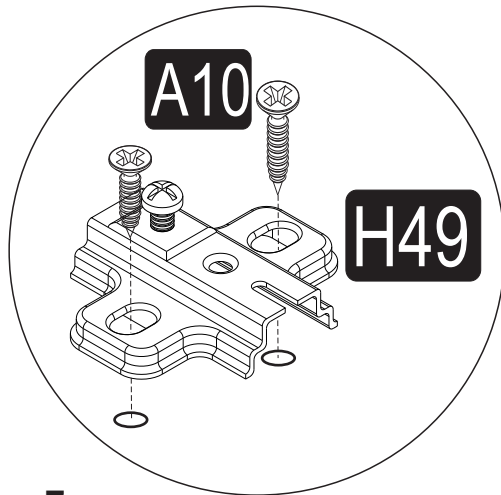
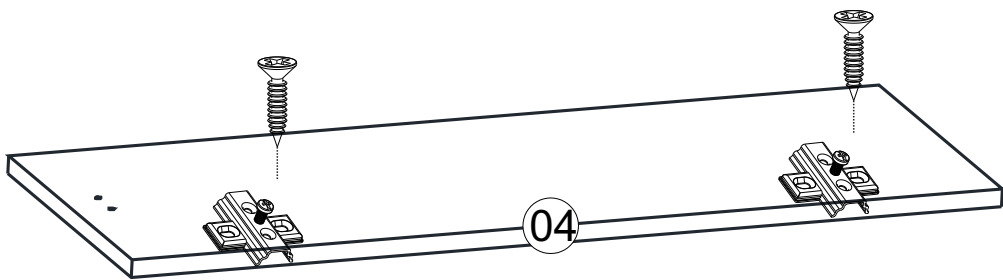
2

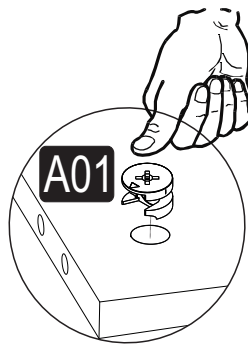
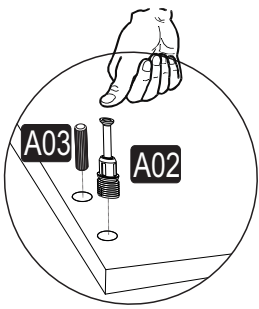


3

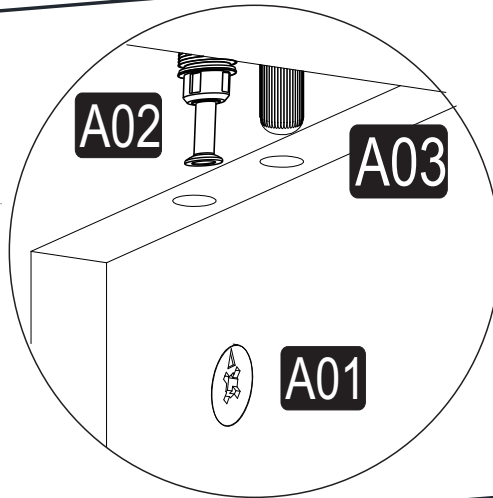
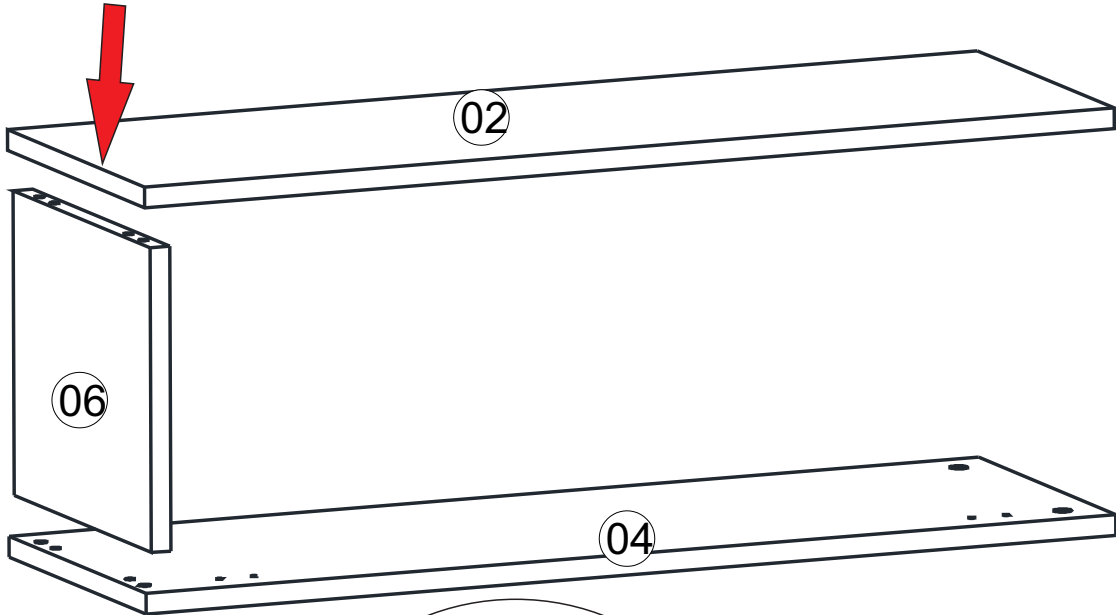


4

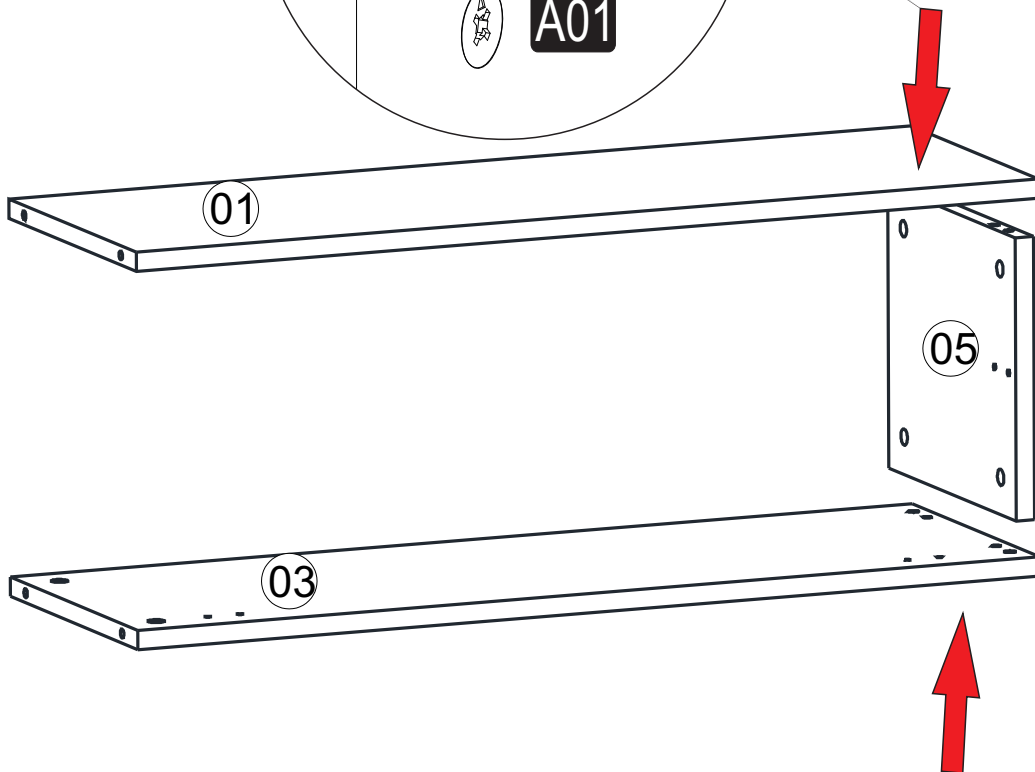




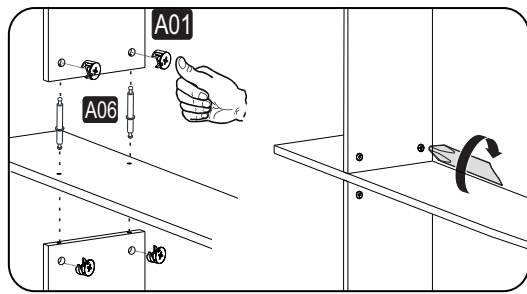
5



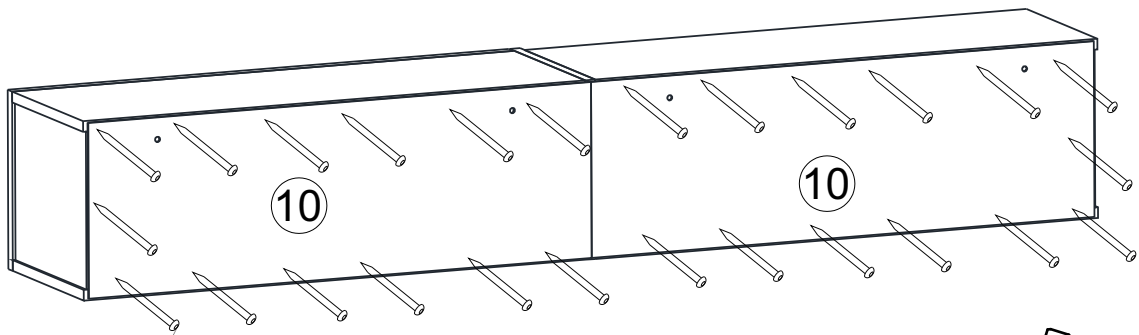
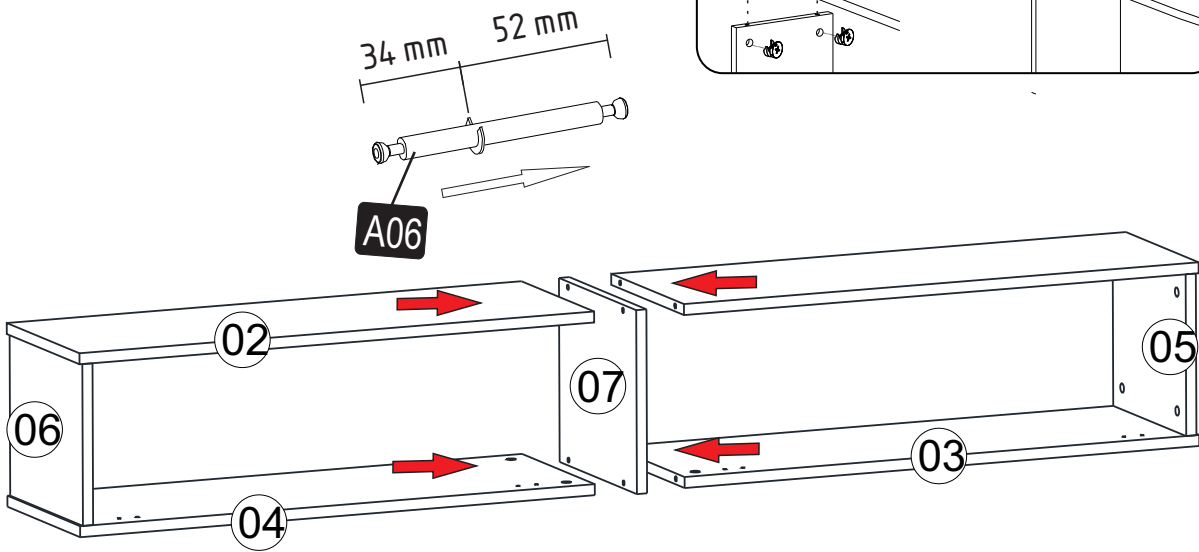
6



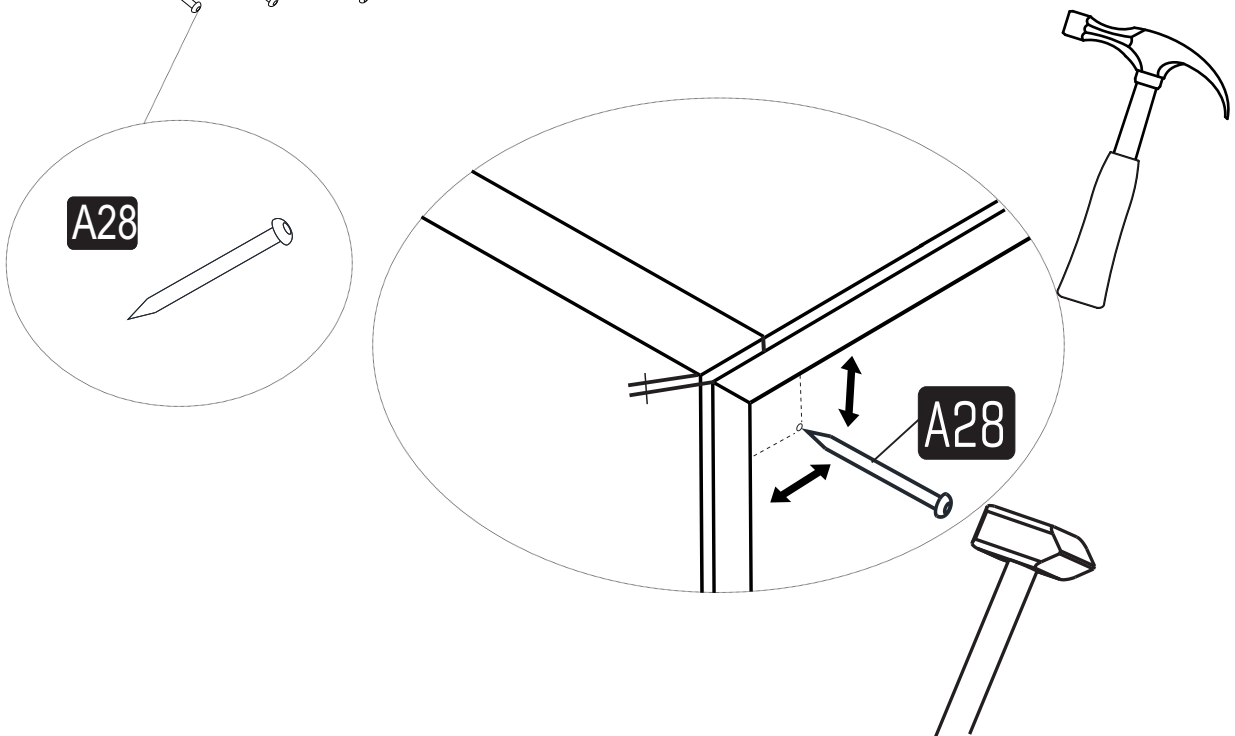
8



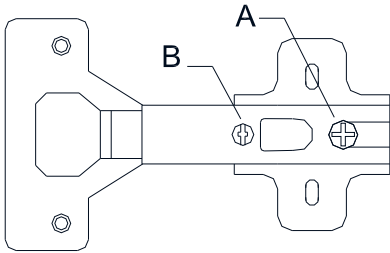
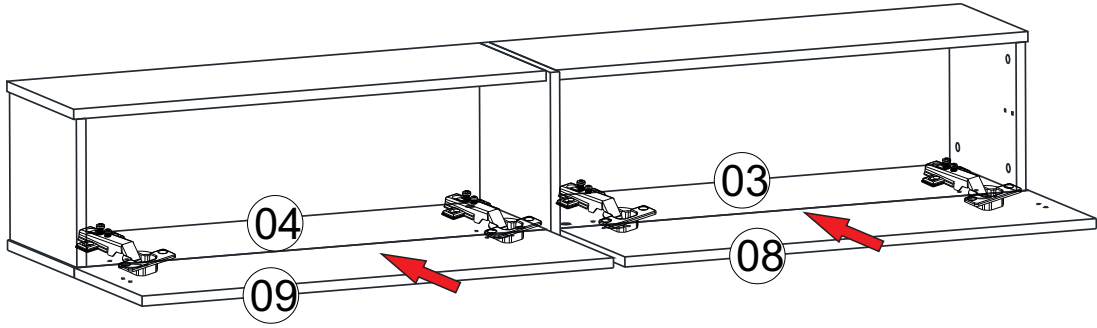
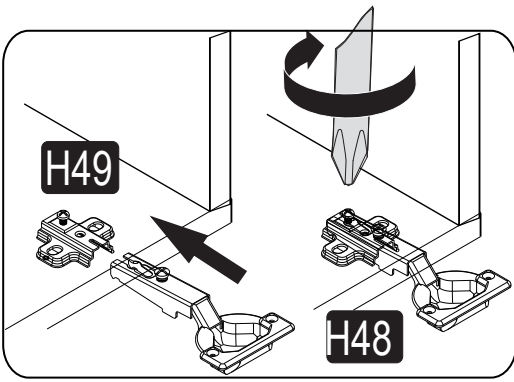
7



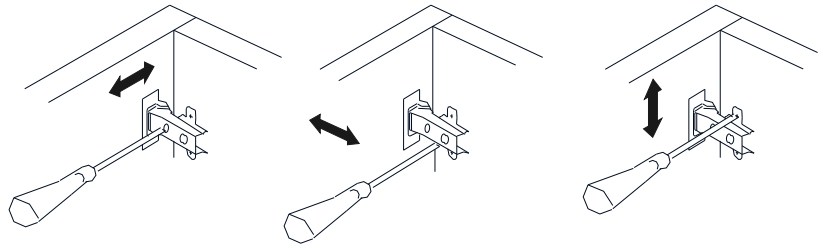
8



9

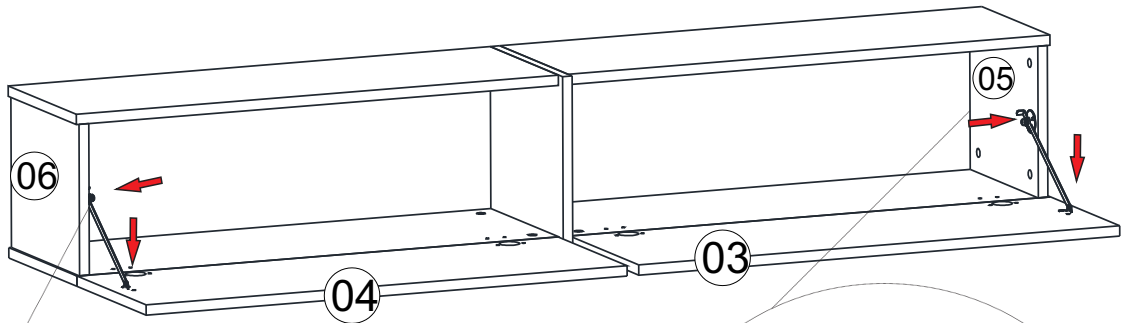


A= menteşe bağlama vidası / to connect the hinge to the door  
B= kapak ayar vidası / to arrange the door



oklar kapağın ayarlama yönünü gösterir.  
arrows to show the directions for arrangement of doors.

## 10



A19

