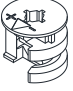
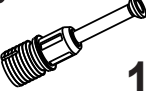
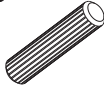





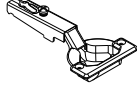
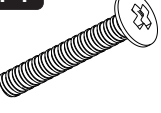
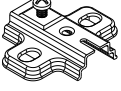
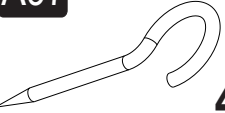
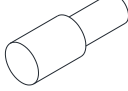

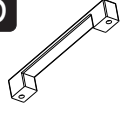

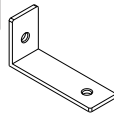
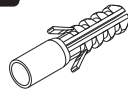

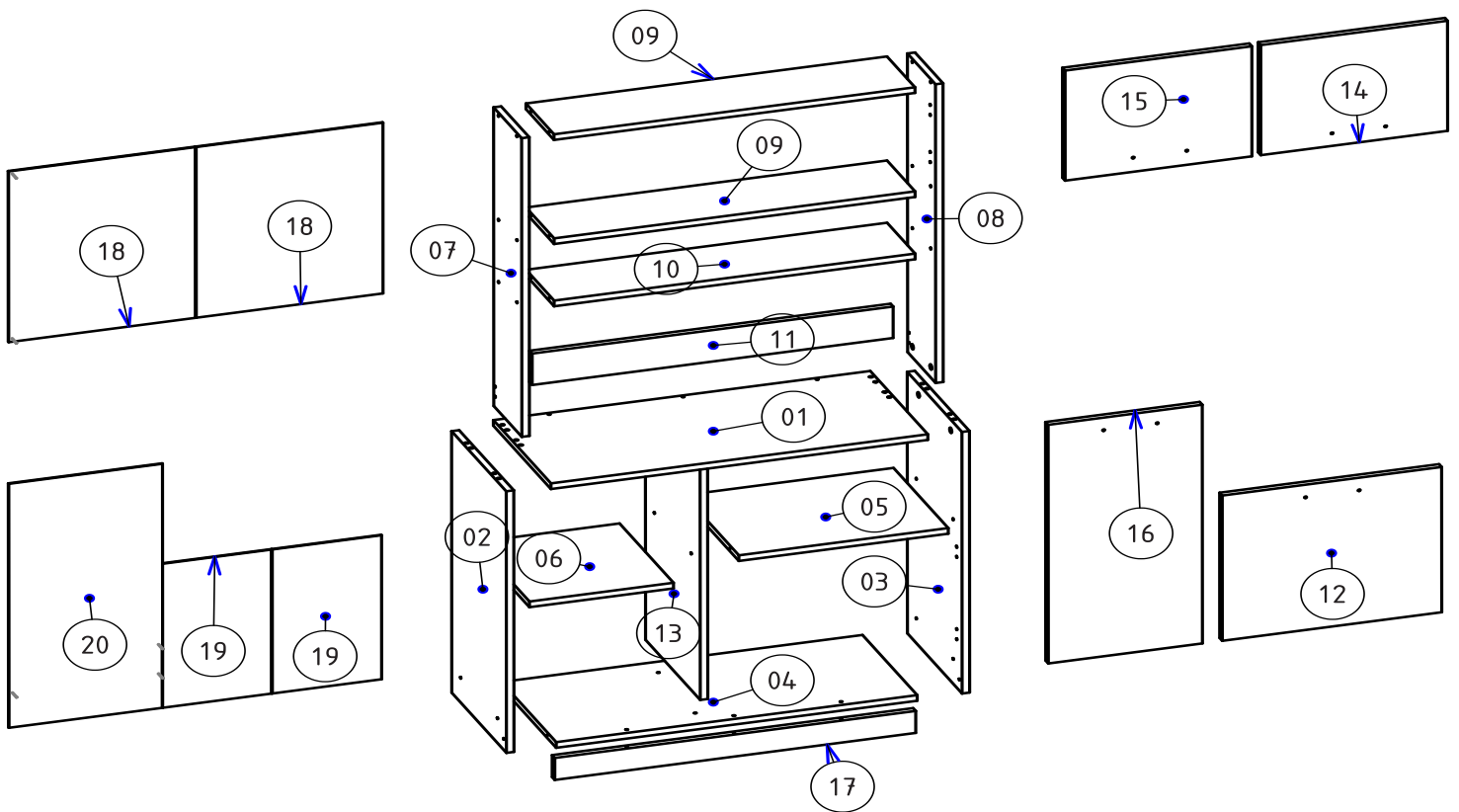


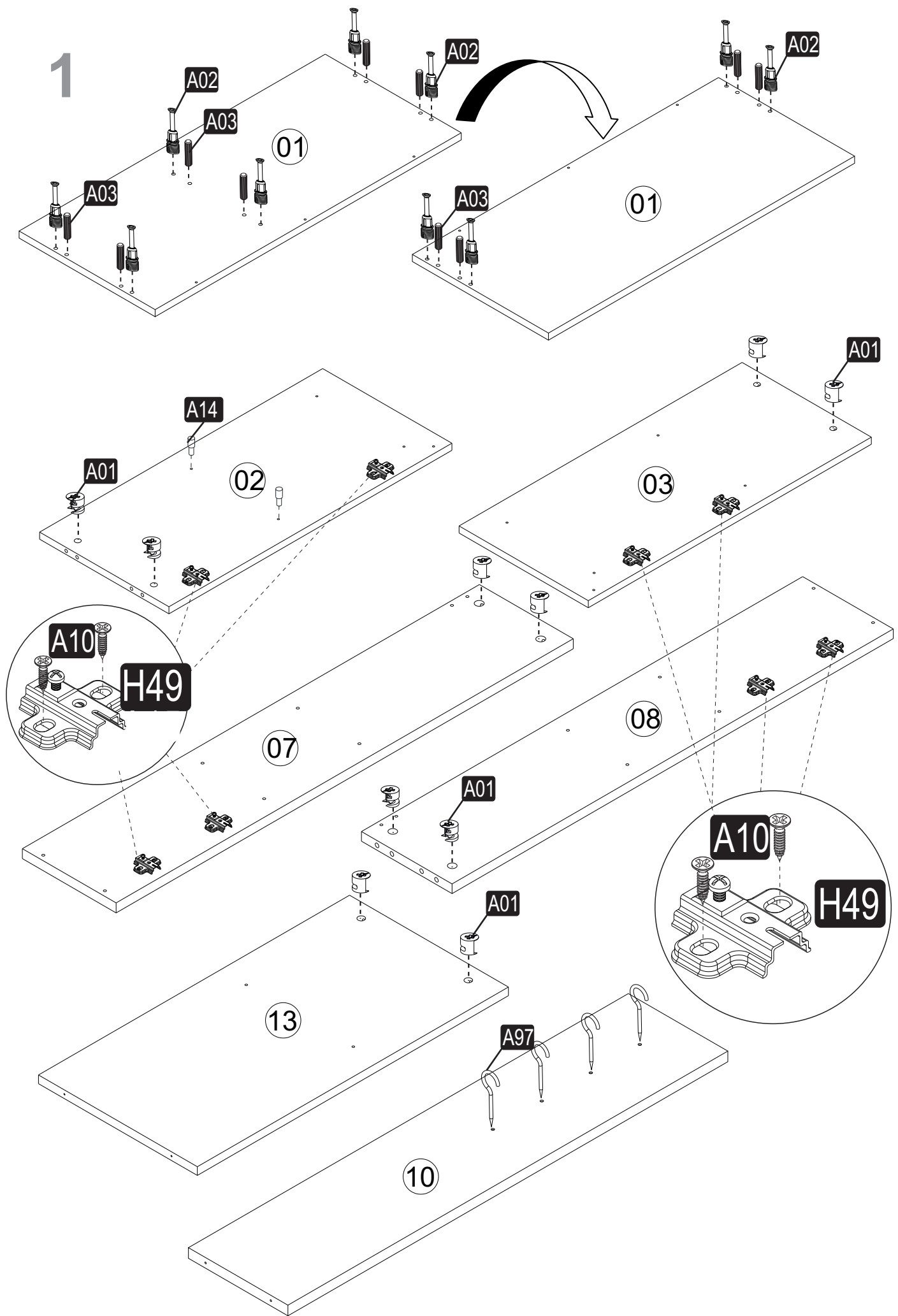
i GP042-0333,1



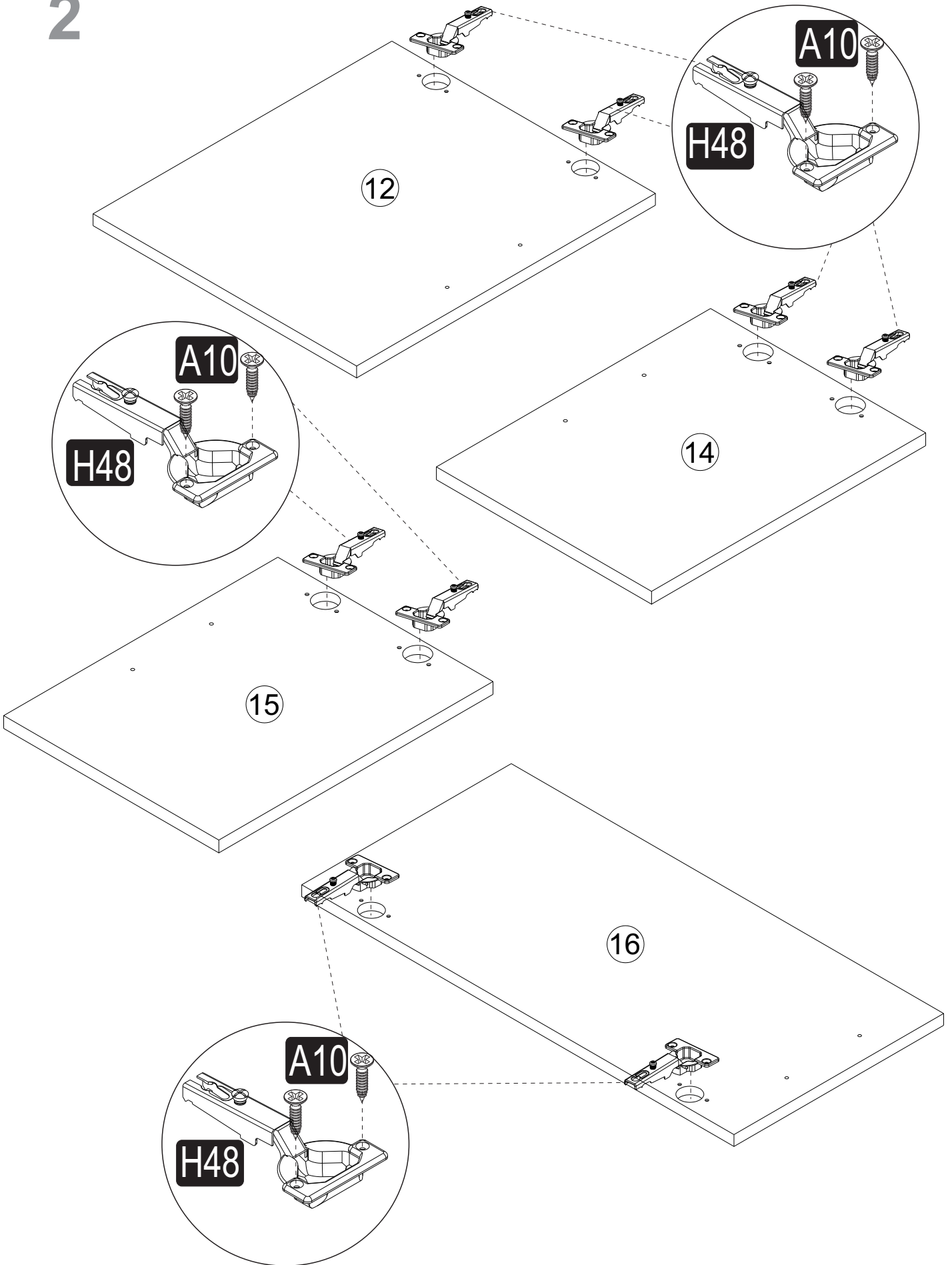
90 x 40 x 180cm

A01  10x	A02  10x	A03  10x	A04  A 10x	A09  34x
A16  A 34x	A25  502 mm 1x	A10 3,5x18  33x	H48  8x	A14 M4x22  8x
H49  8x	A97  4x	A23  4x	A28  79x	F05  4x
A25  416 mm 1x	E17  1x	D69  1x	D41 5x70  1x	

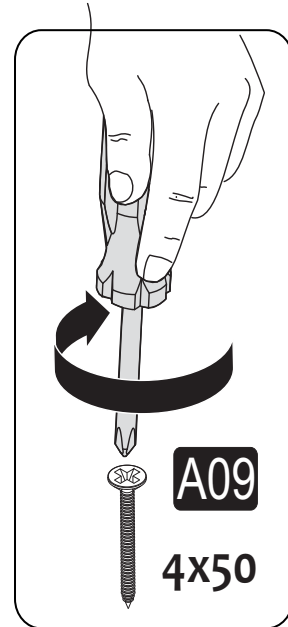
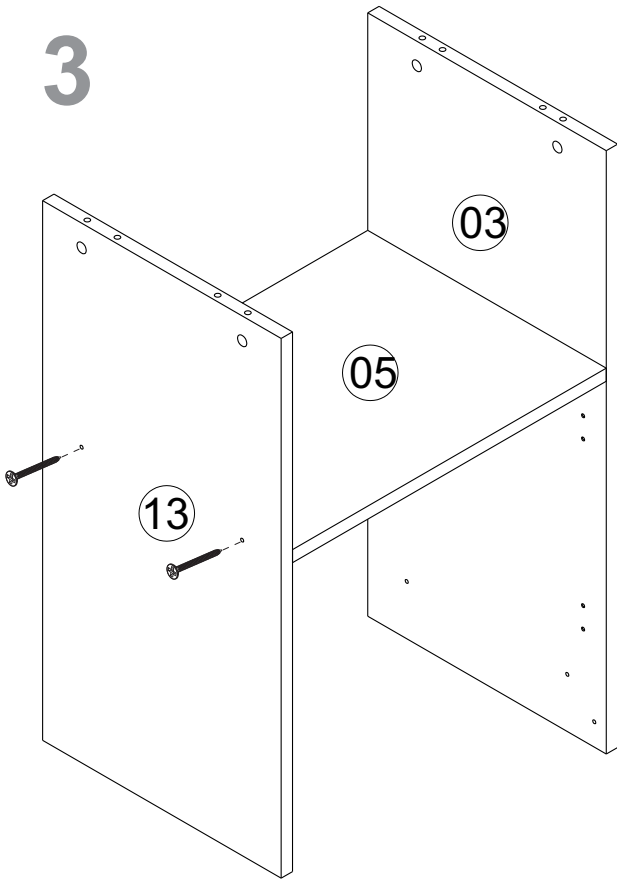




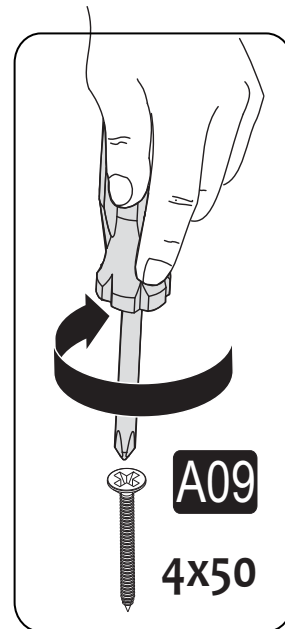
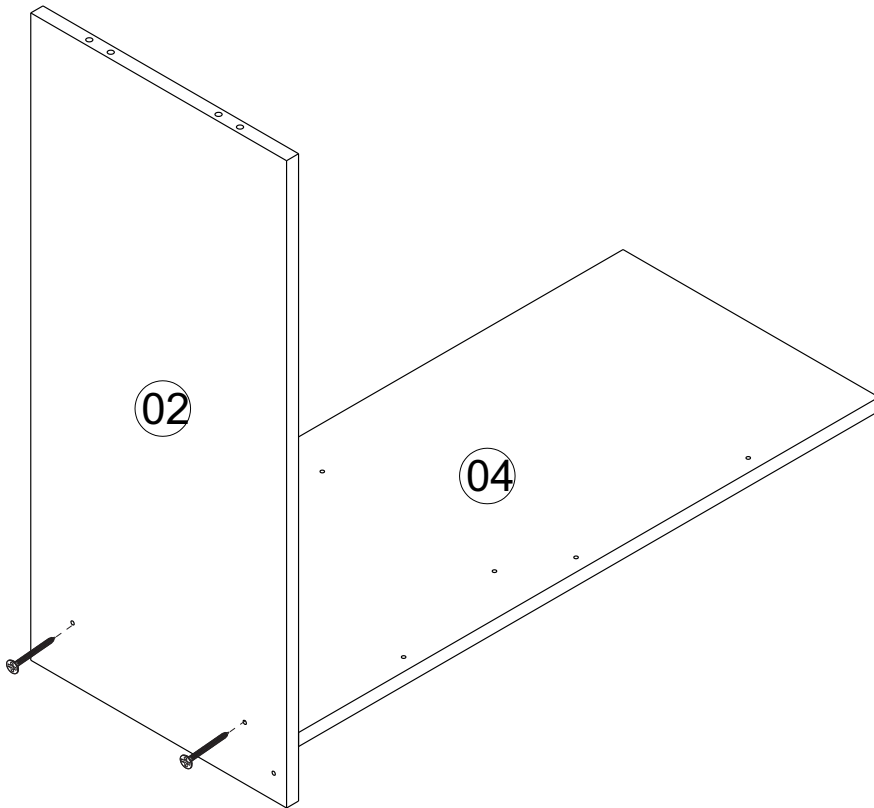
2



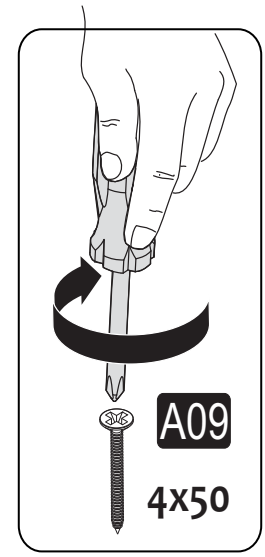
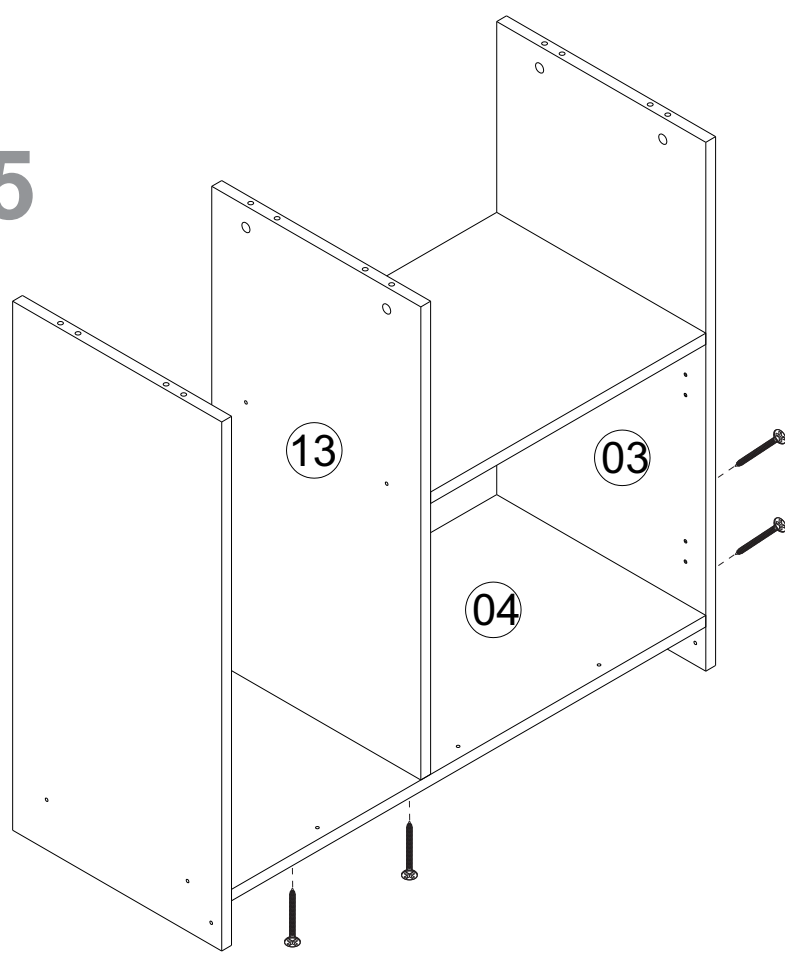
3



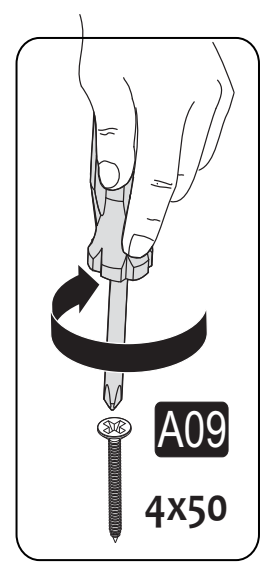
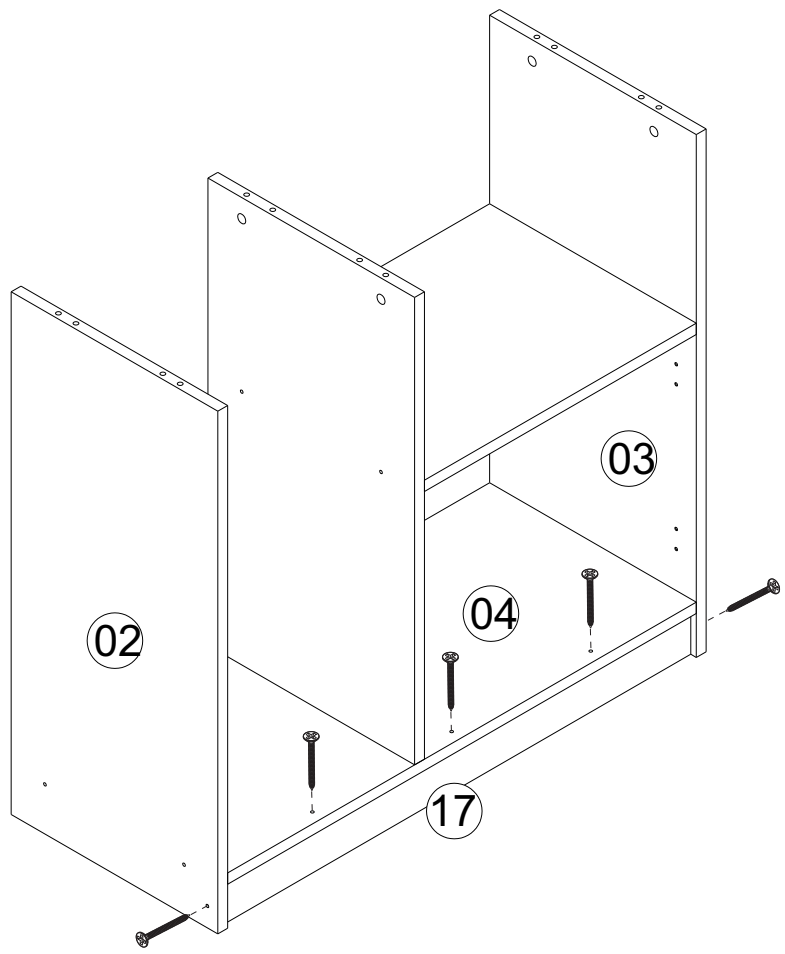
4



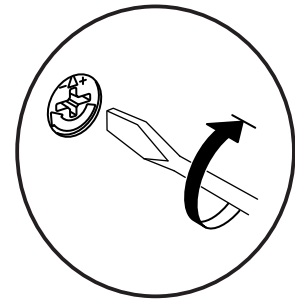
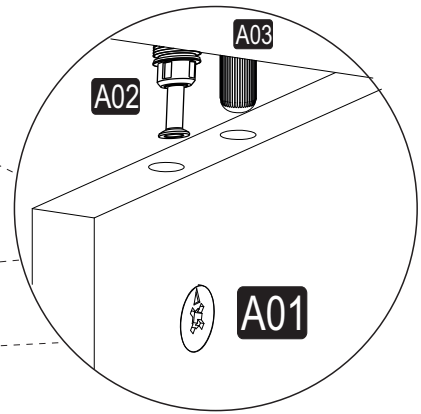
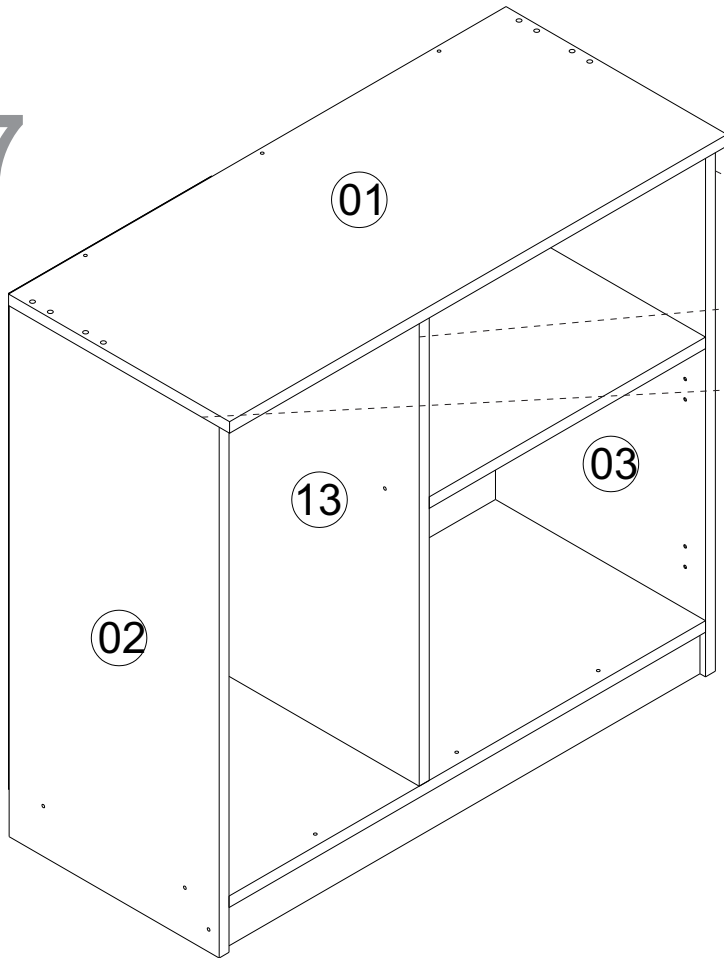
5



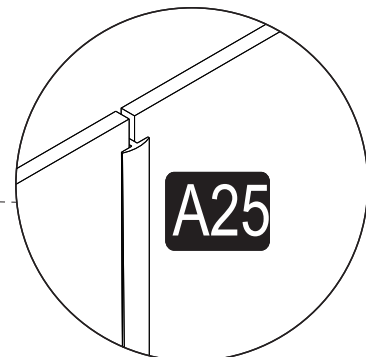
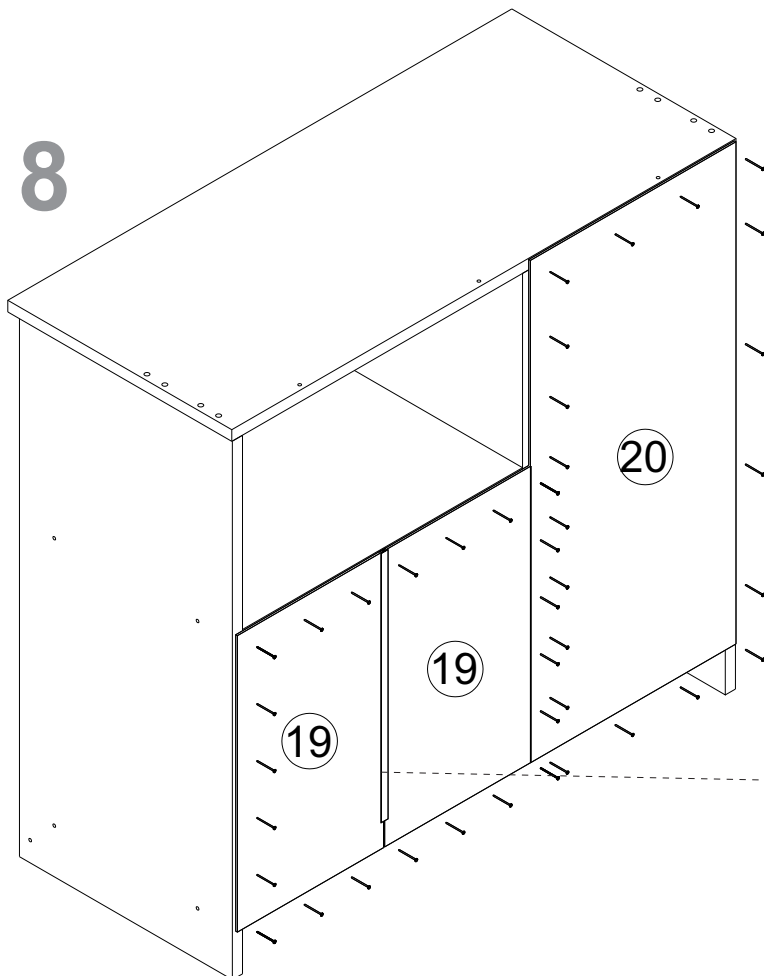
6



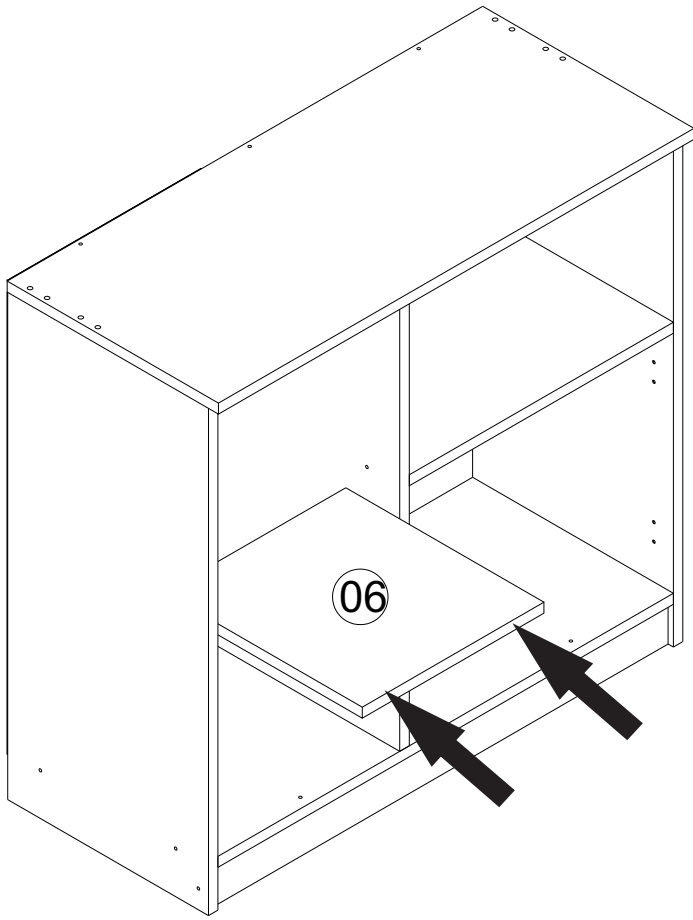
7



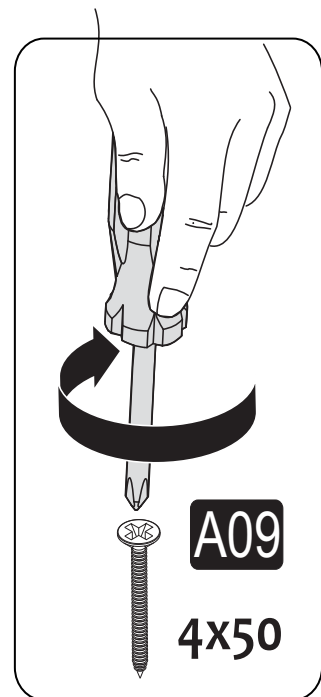
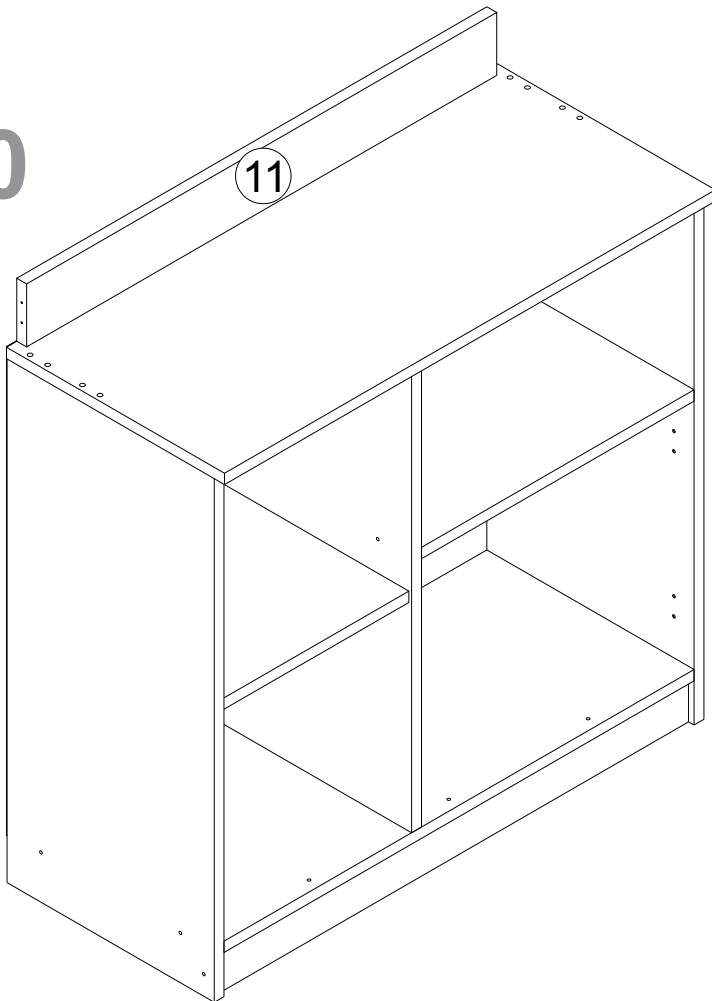
8



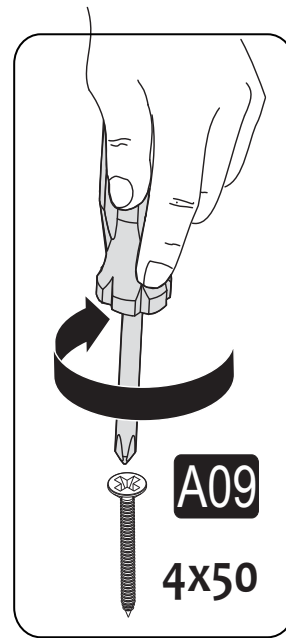
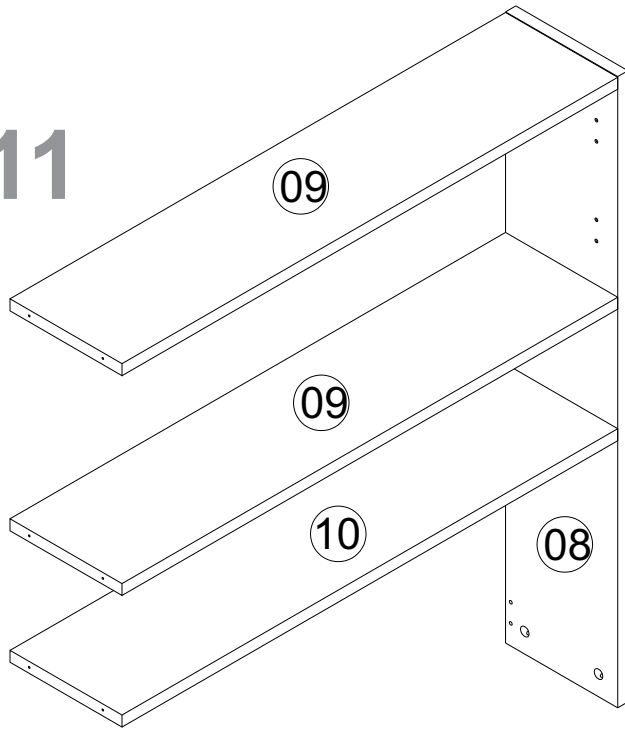
9



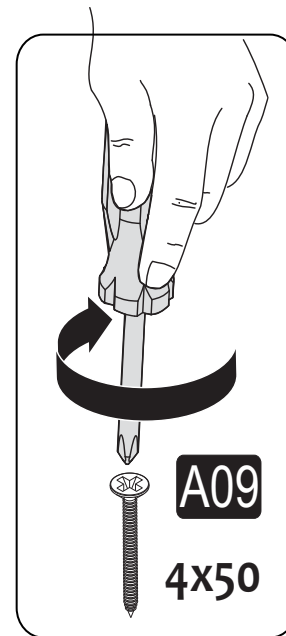
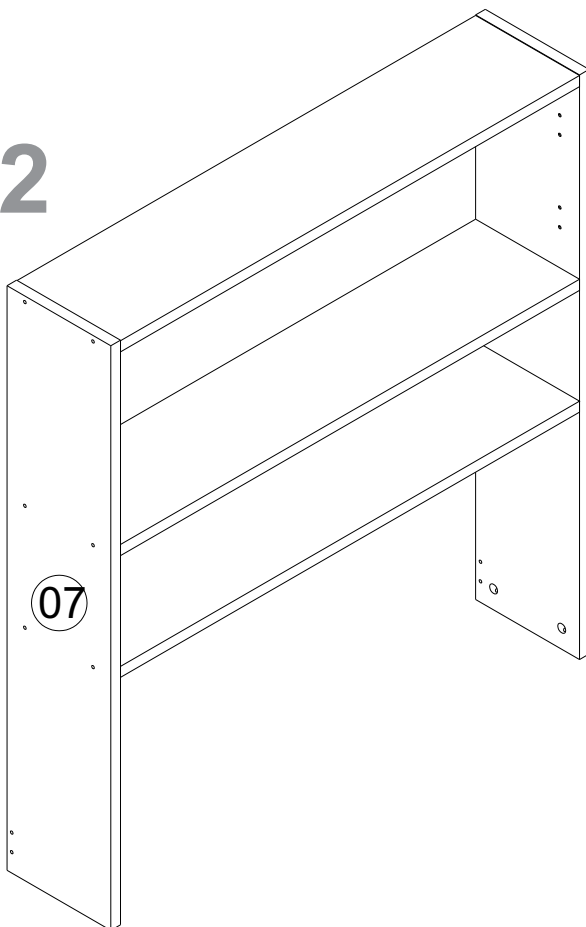
10



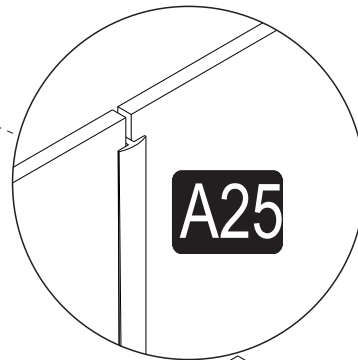
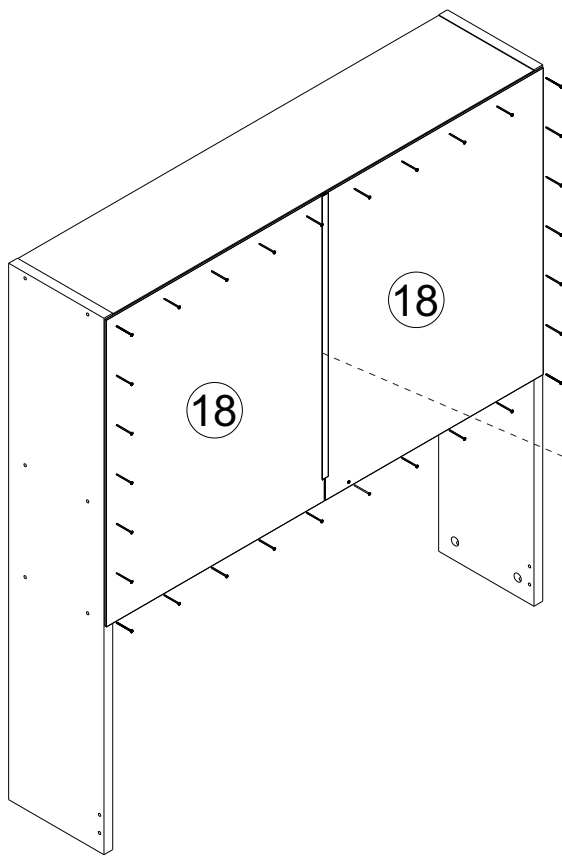
11



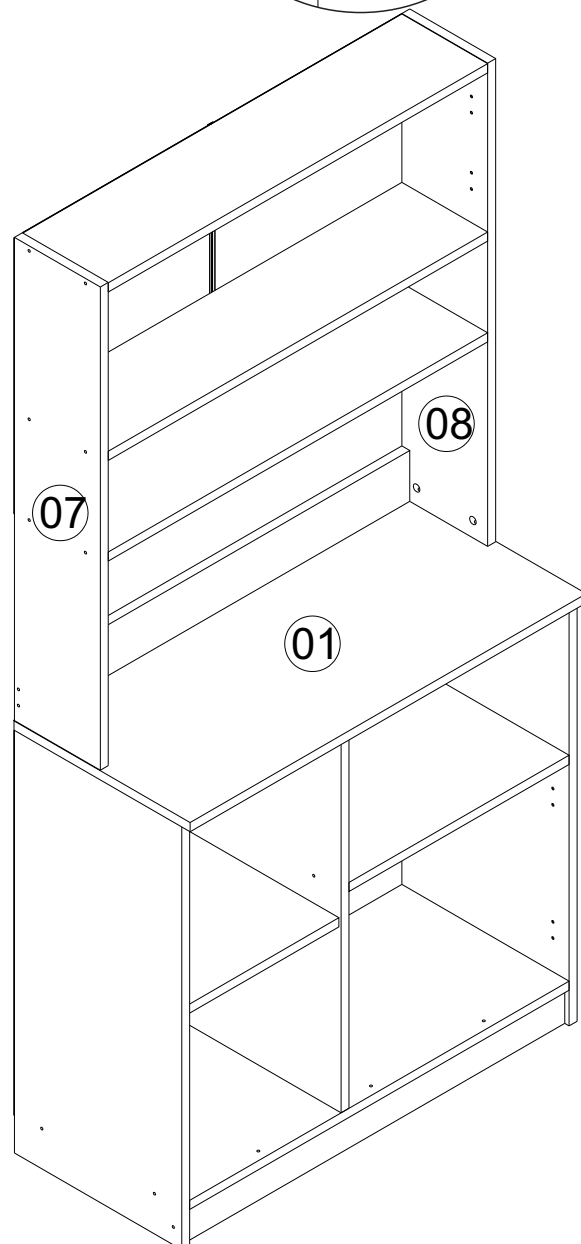
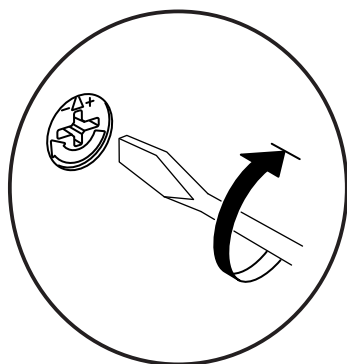
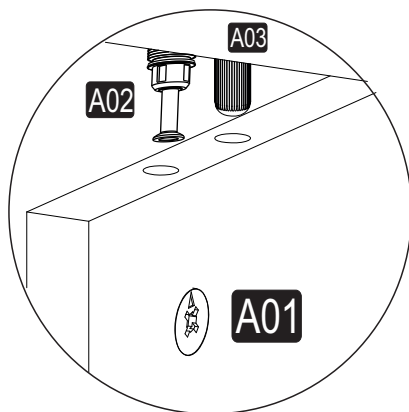
12



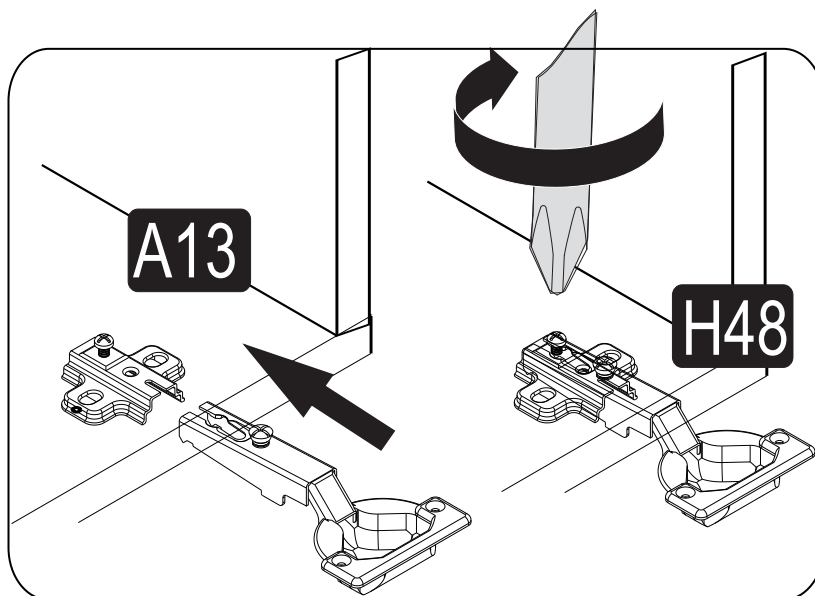
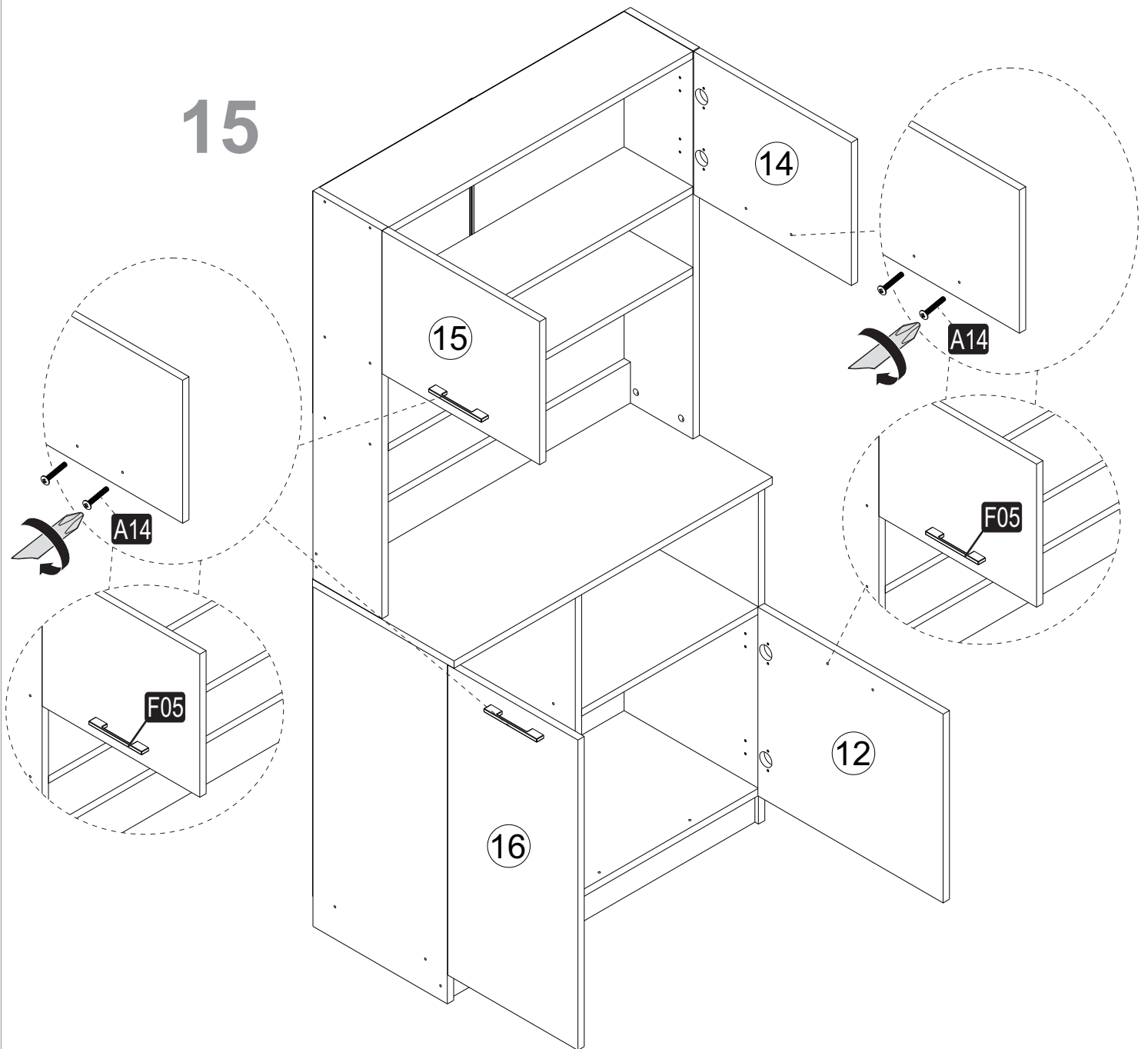
13



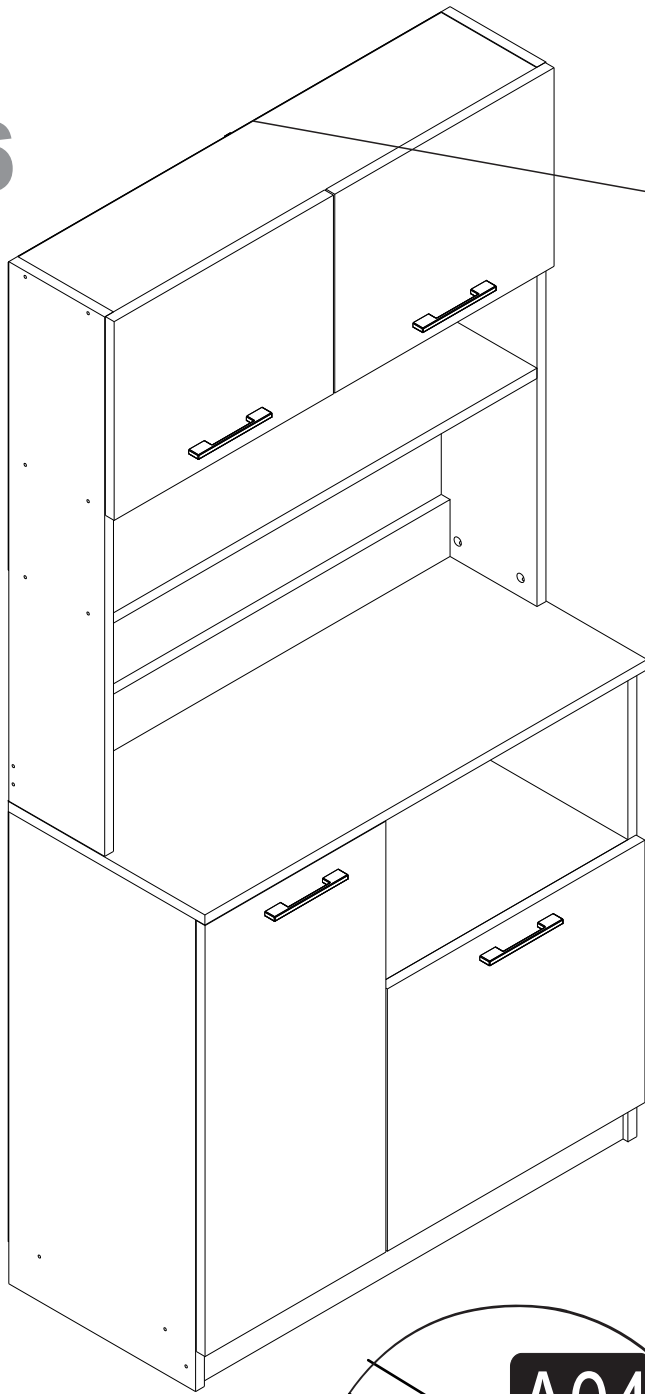
14



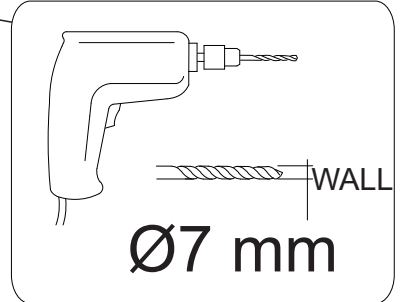
15



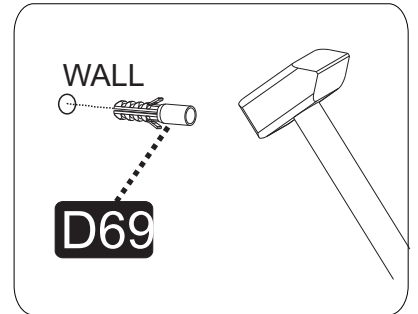
16



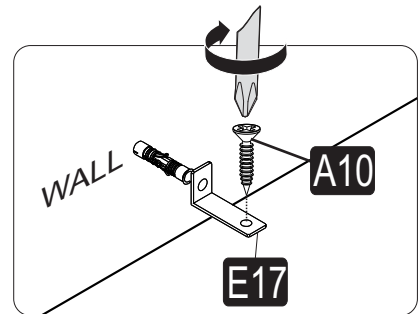
PART-1



PART-2



PART-3



PART-4

