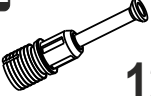

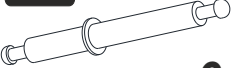


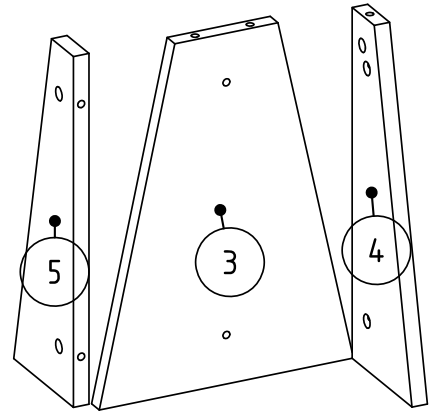
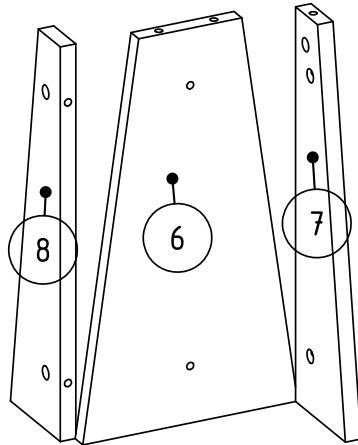
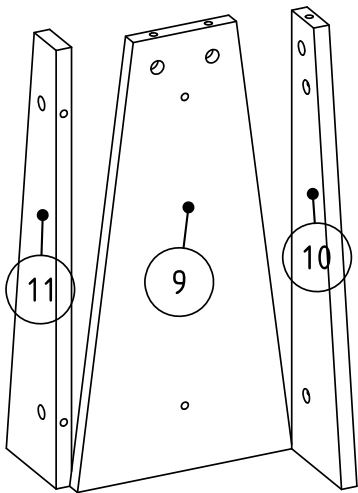
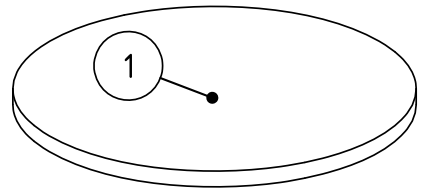
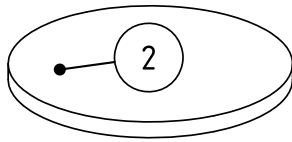
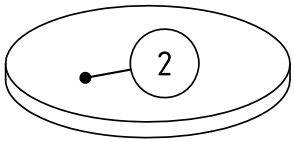


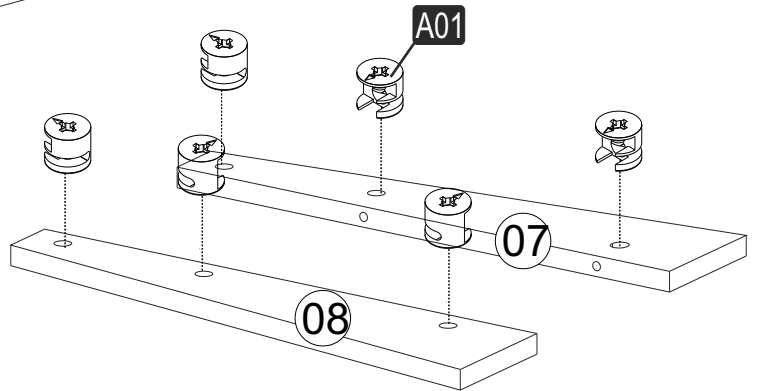
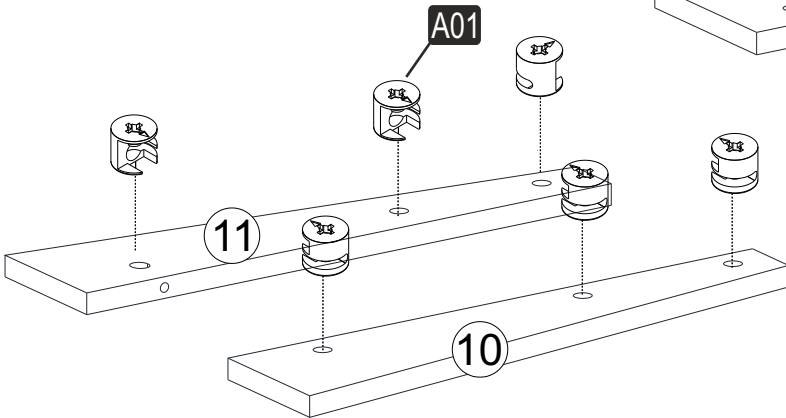
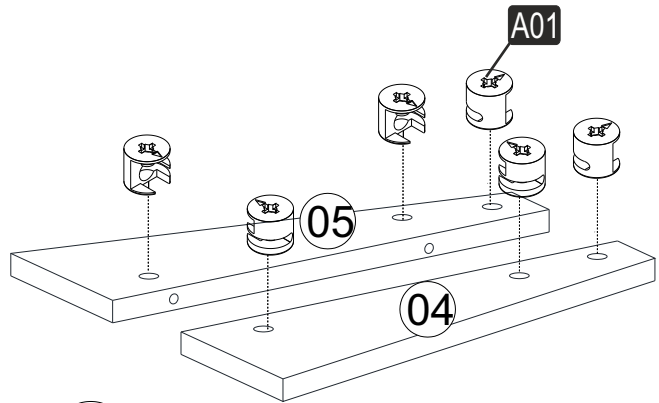
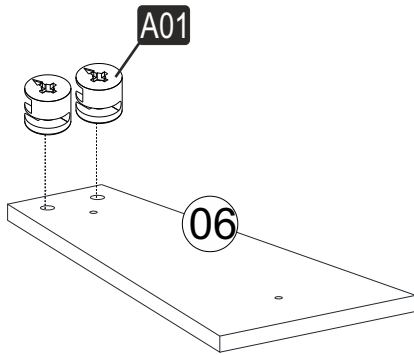
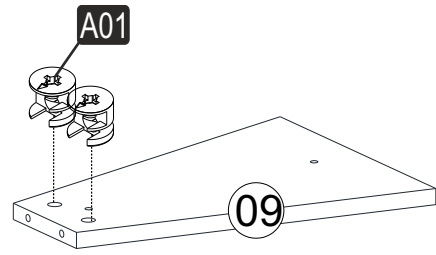
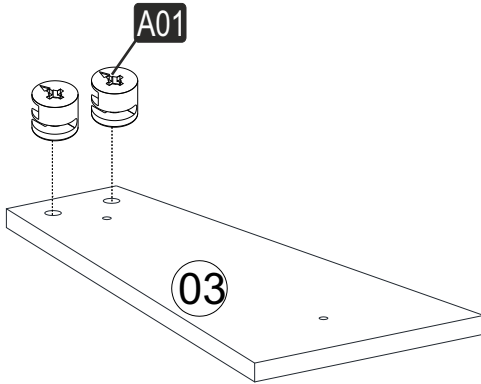
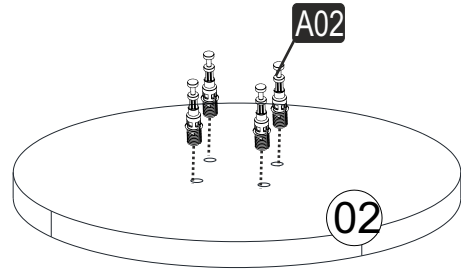
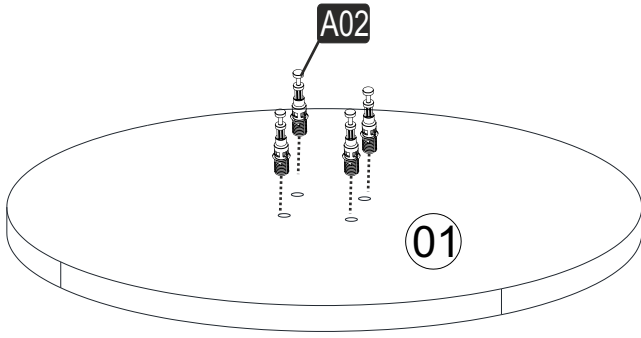
i GP042-0337,1



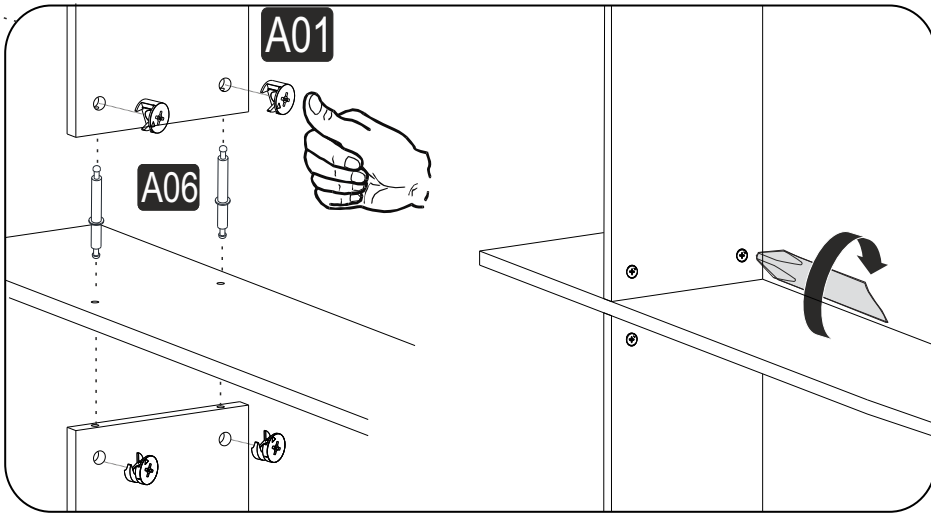
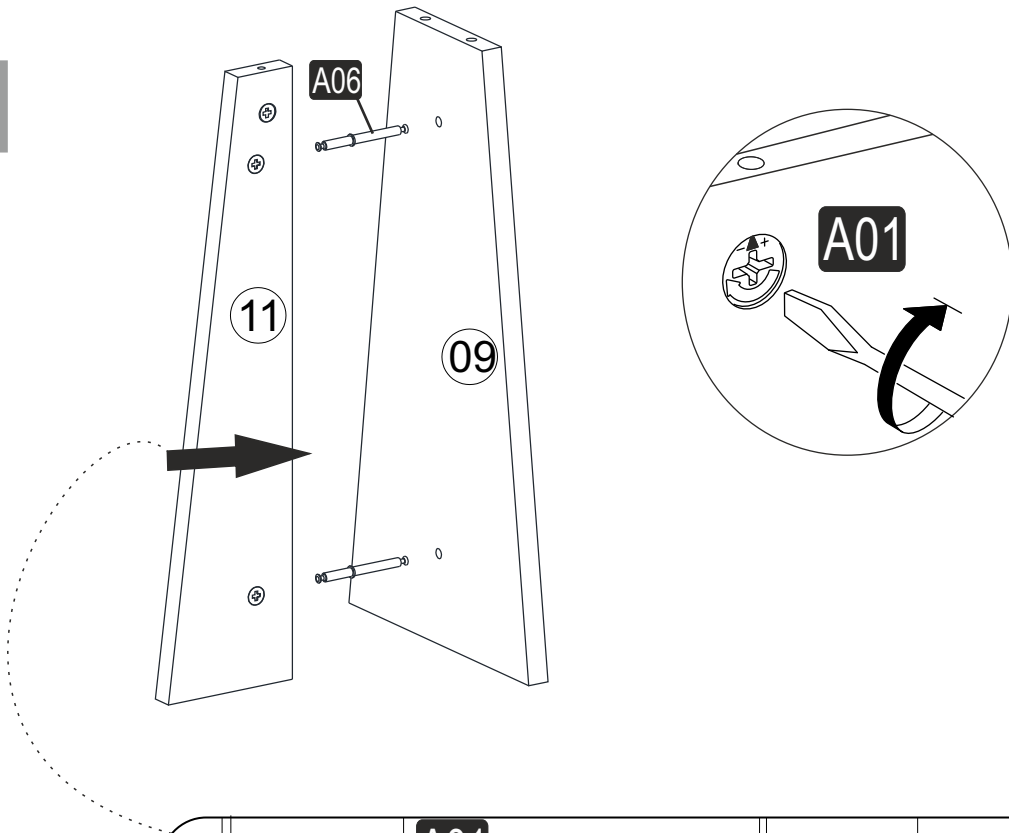
Φ29,6 x 52,1cm

A02  12x	A01  24x	A06  6x	A04  A 24x	G94 <small>BYZ</small>  12x
---	---	--	--	--

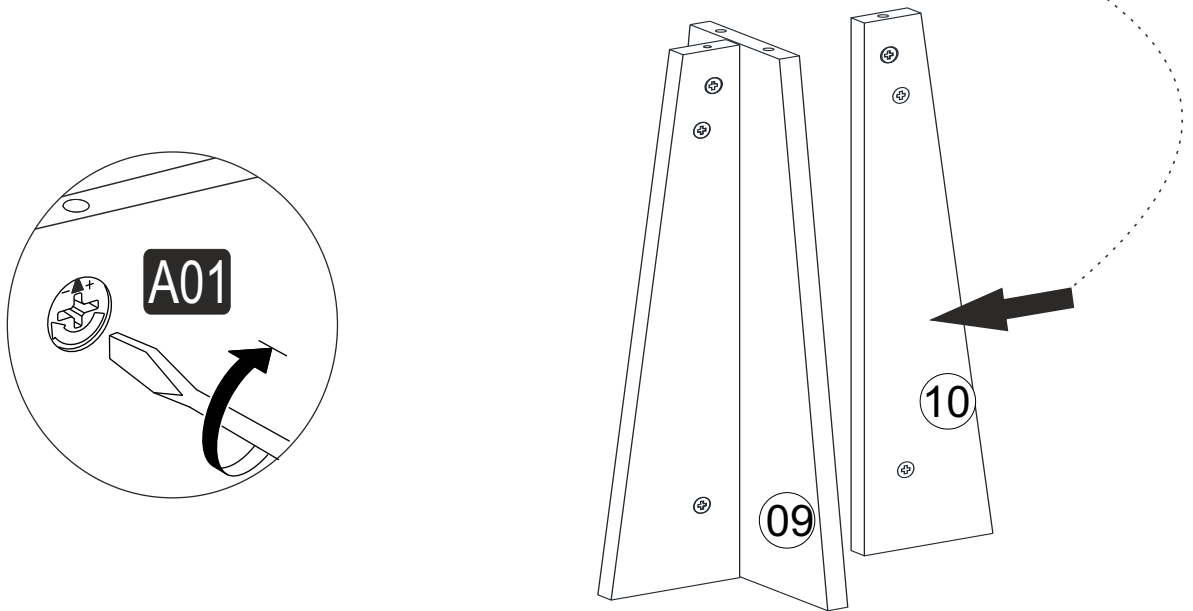




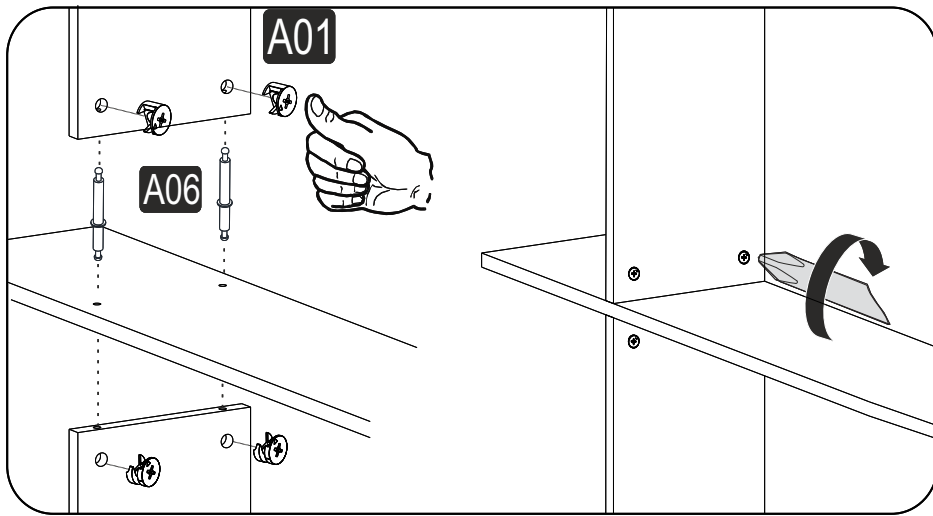
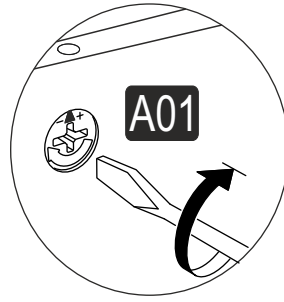
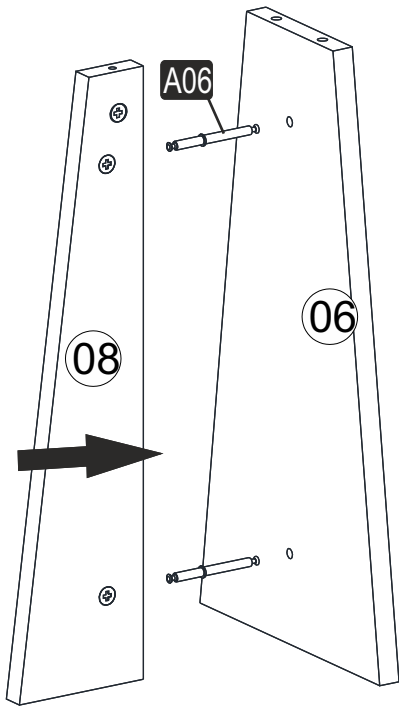
1



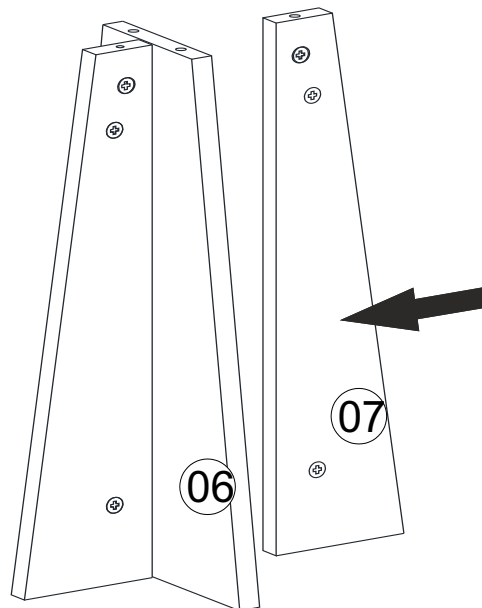
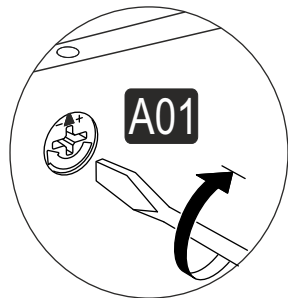
2



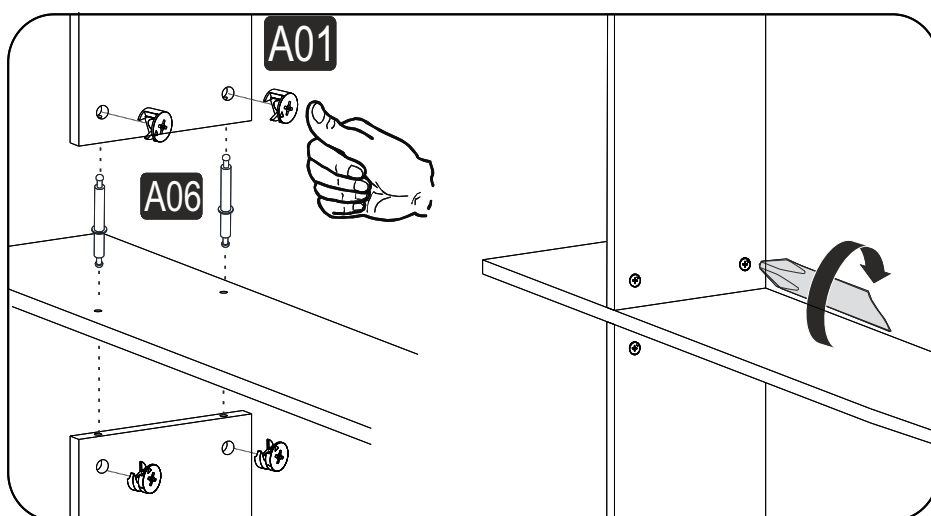
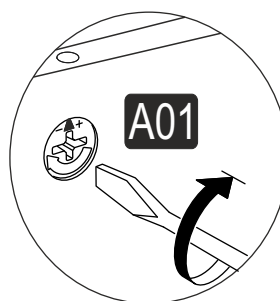
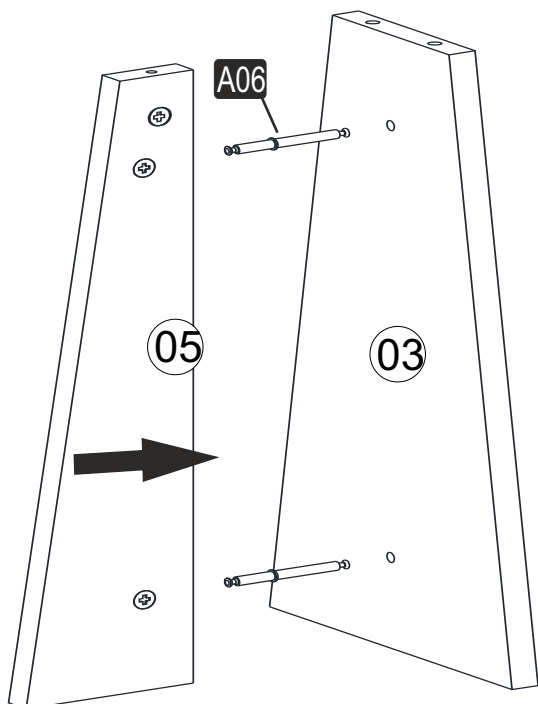
3



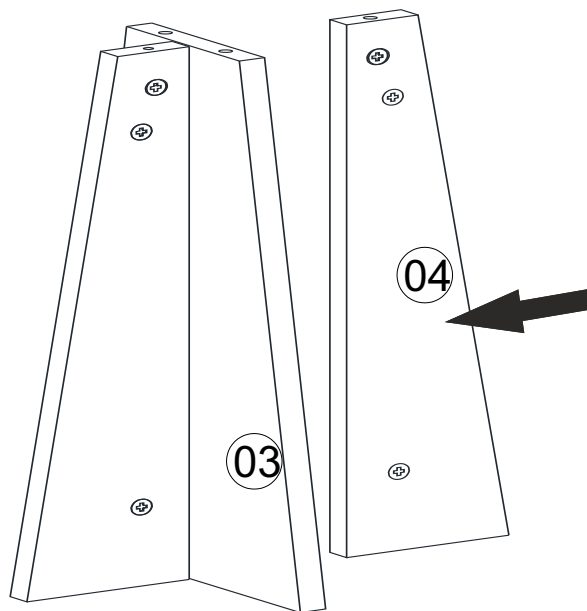
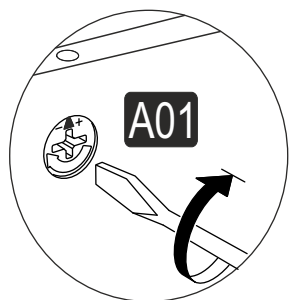
4



5



6



7

