
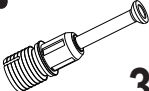
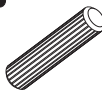

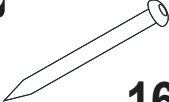


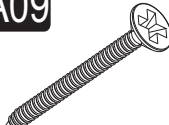
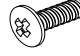

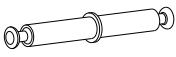

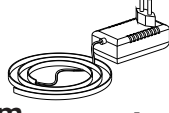
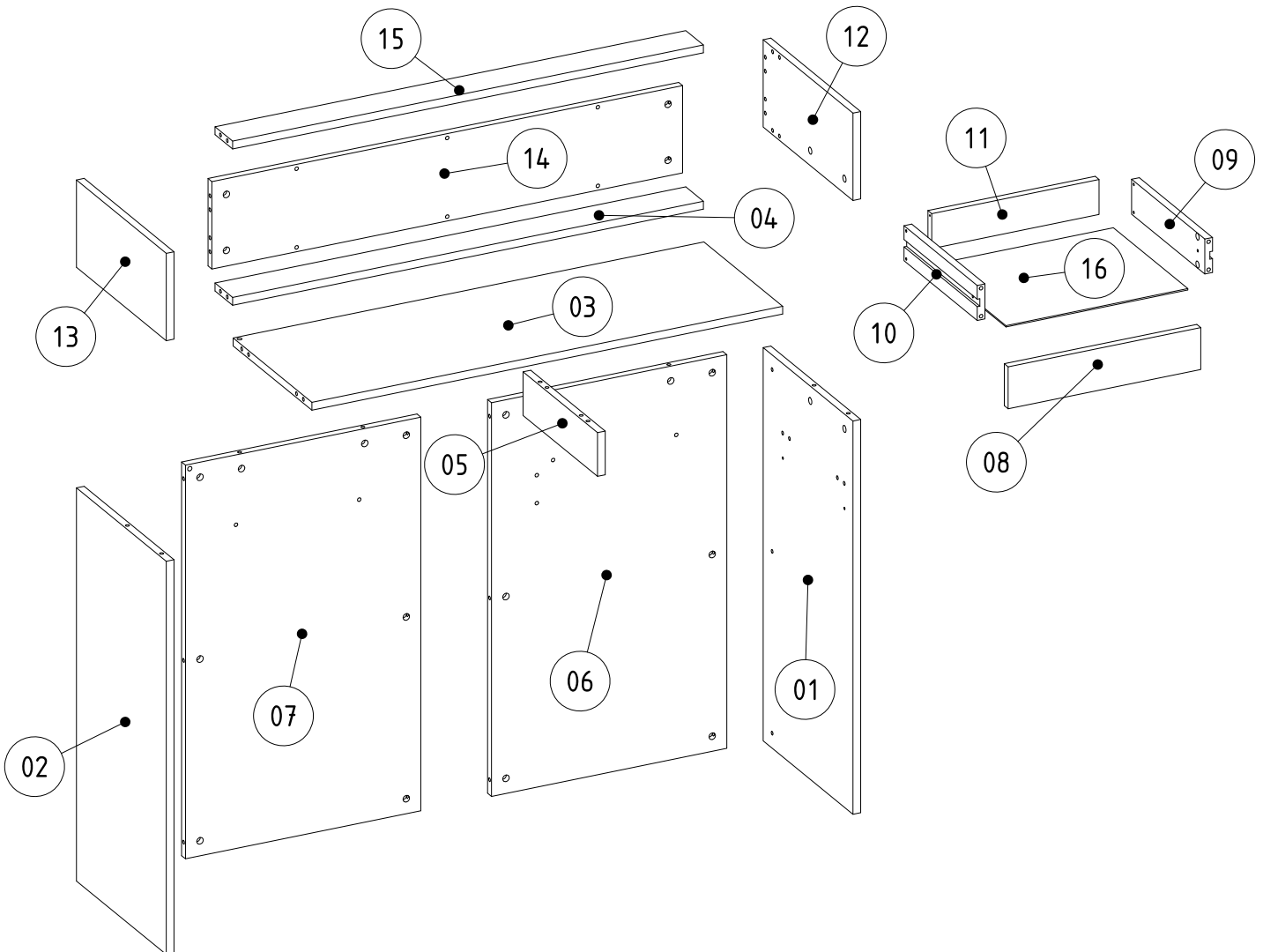


i GP042-0345,1

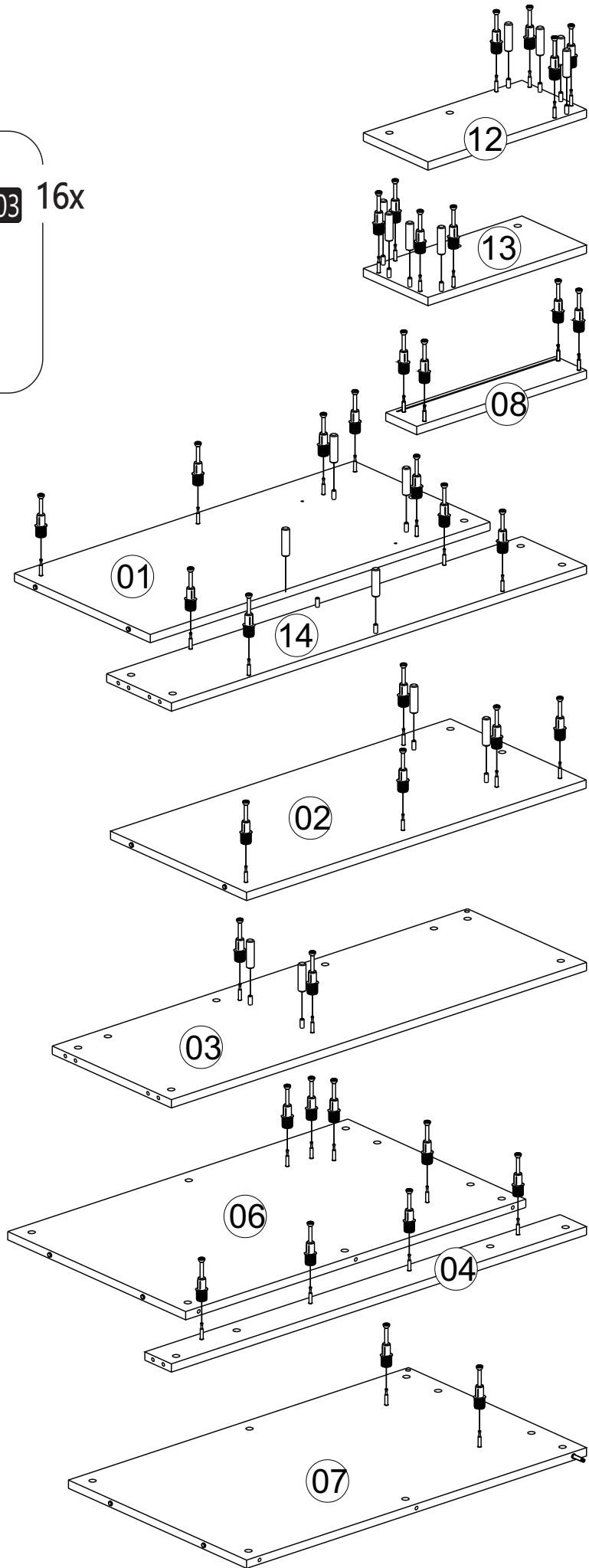
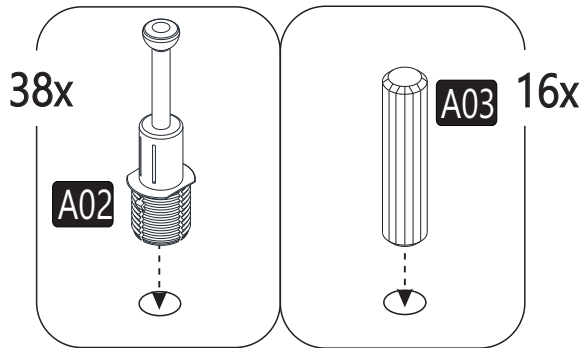


113,6 x 42 x 110cm

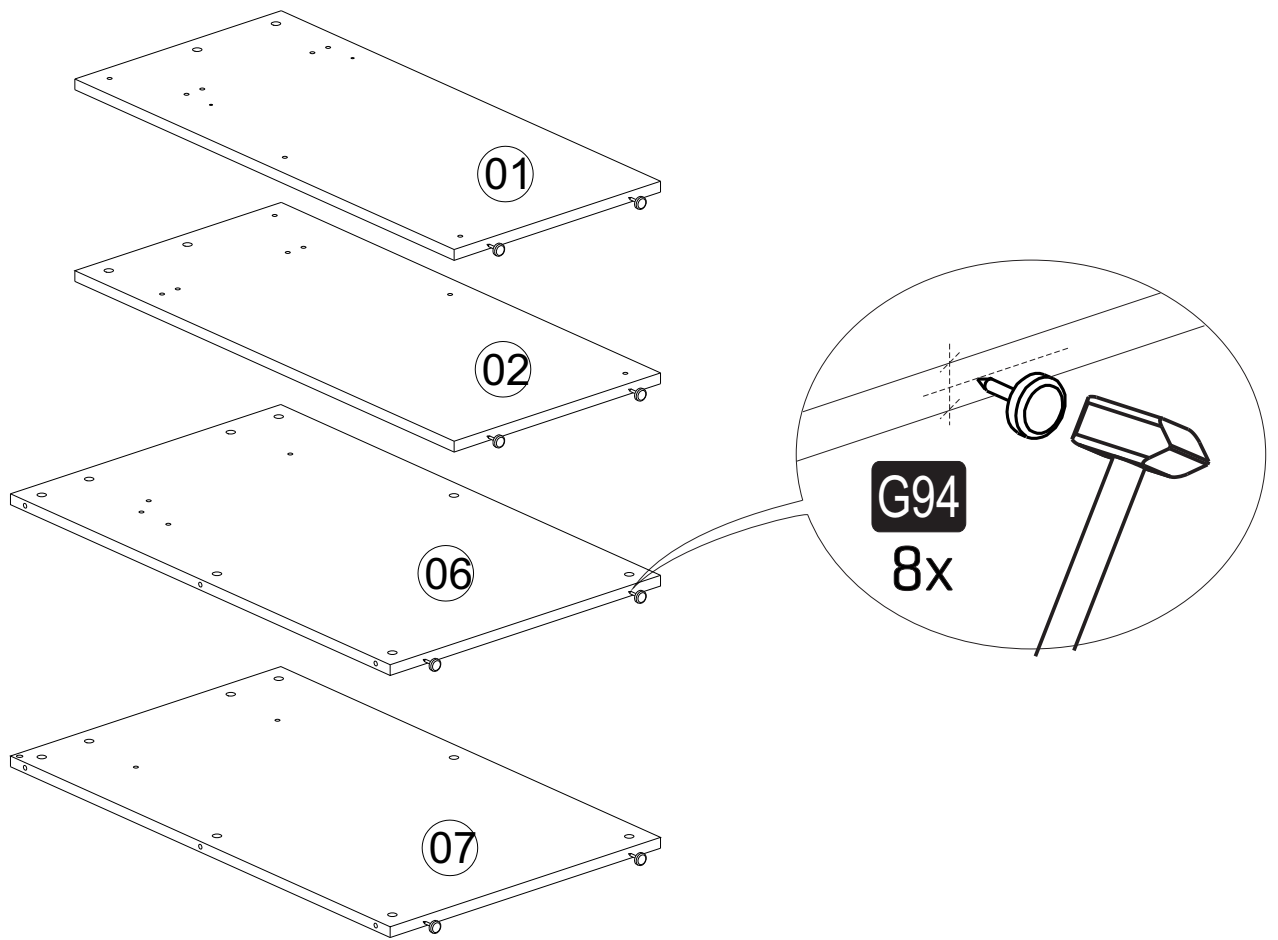
A01  52x	A02  38x	A03  16x	D54  17mm 342 mm 1x	A28  16x
A04  A 40x D 12x	A10 3,5x18  4x	A09 4x50  4x	D09 M4x15  2x	A16  A 4x
A56  7x68 mm 7x	G94  Ø14 BYZ 8x	J12  1100 mm +100 cm kbl 1x		



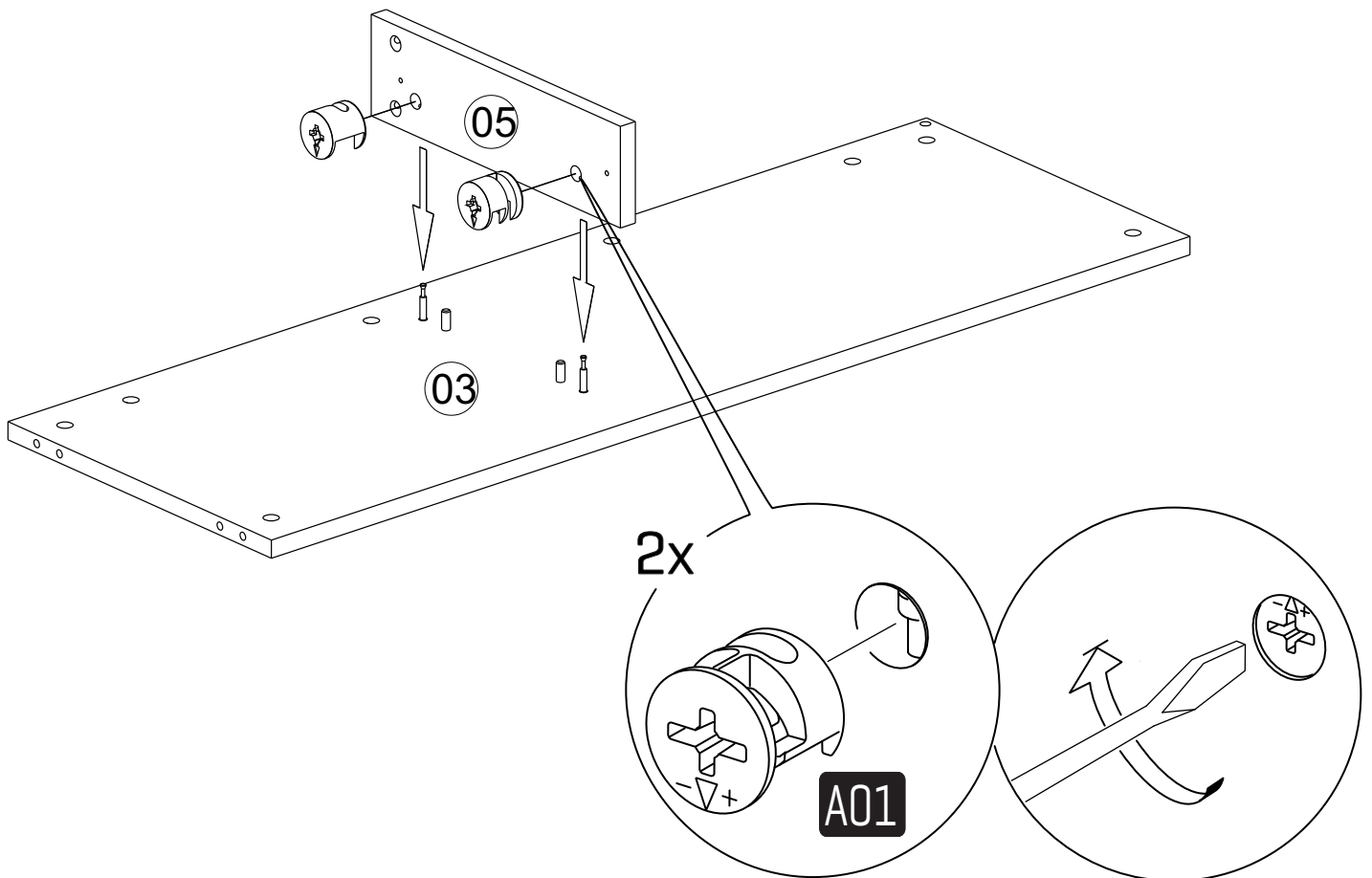
1



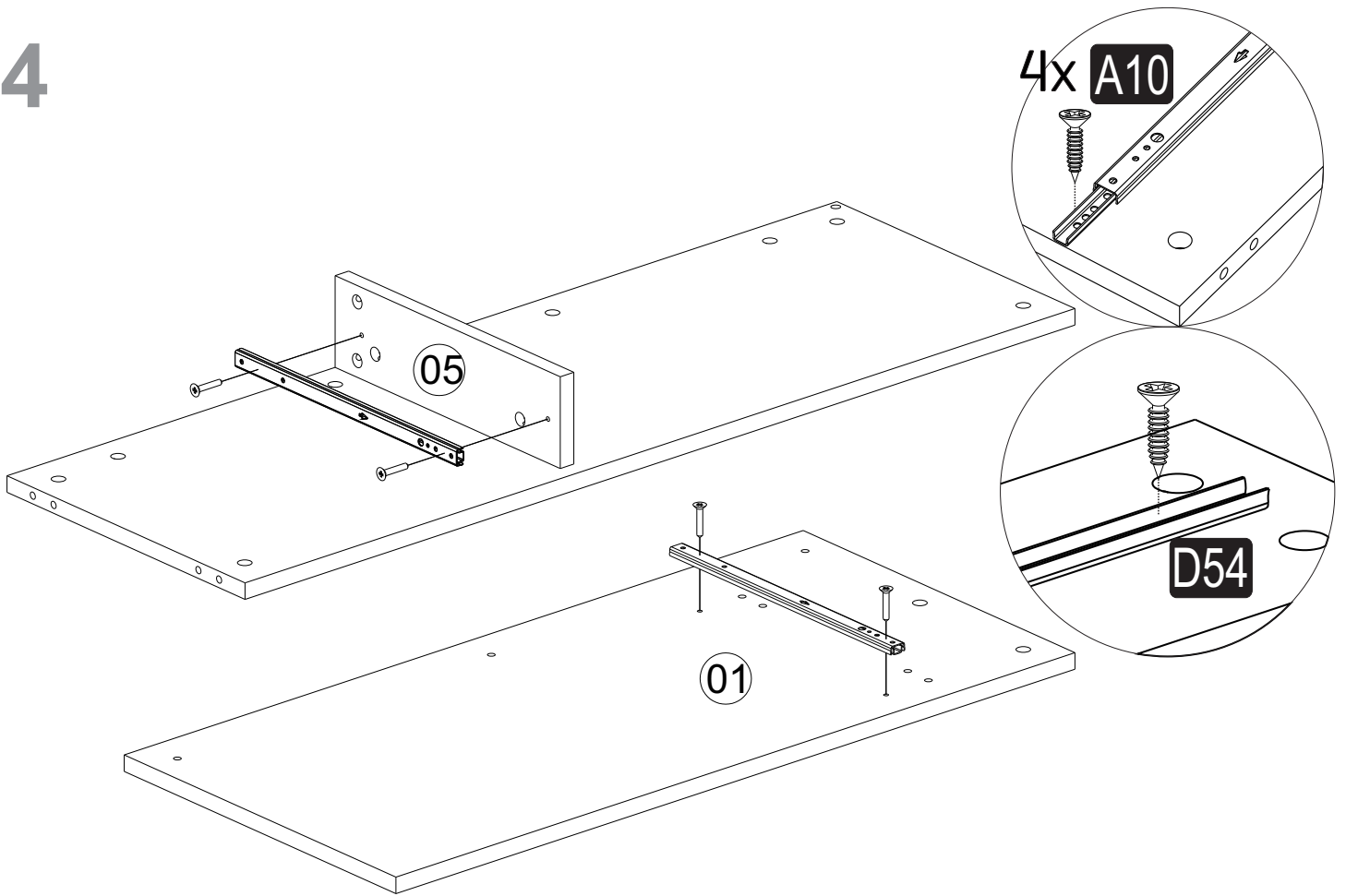
2



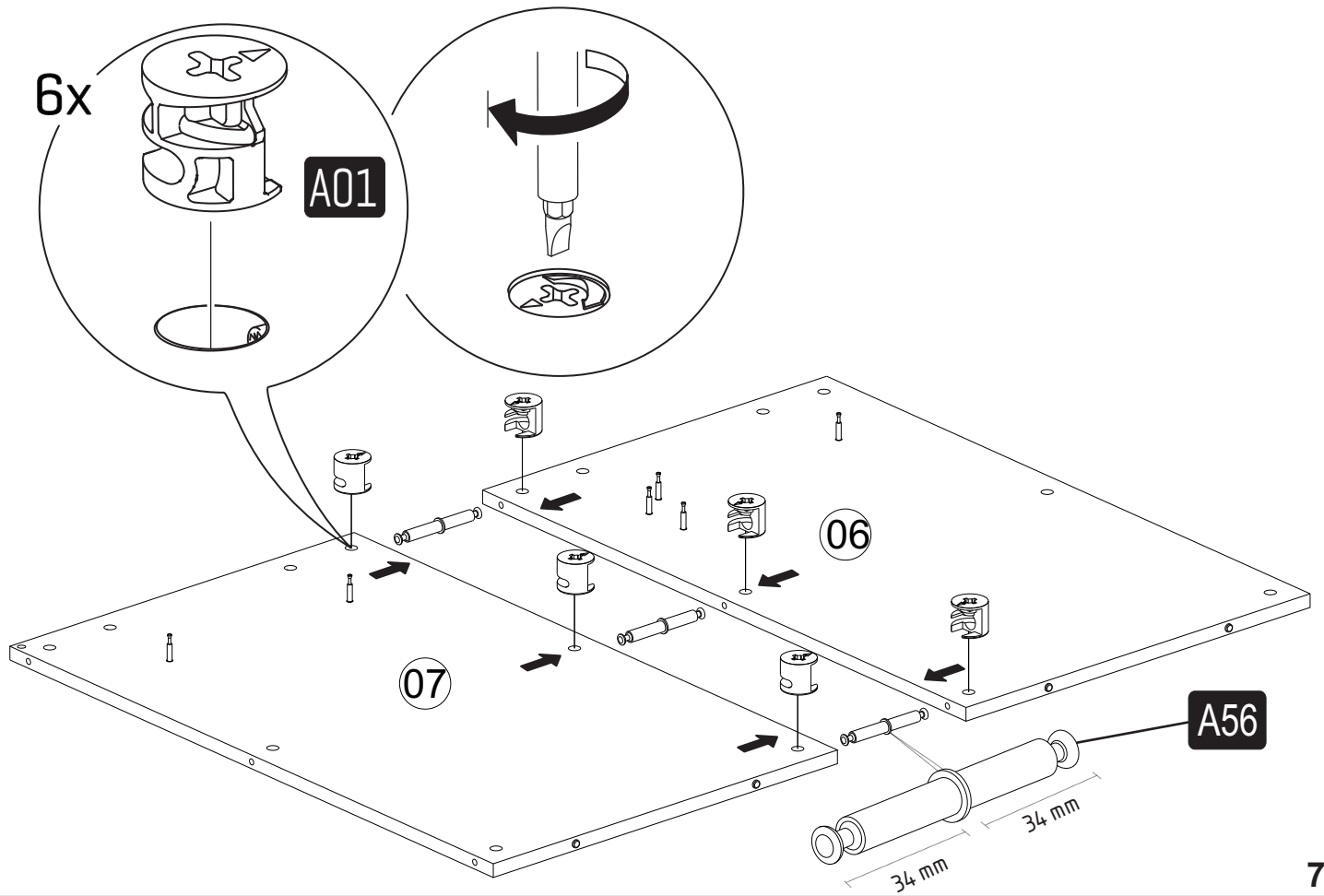
3



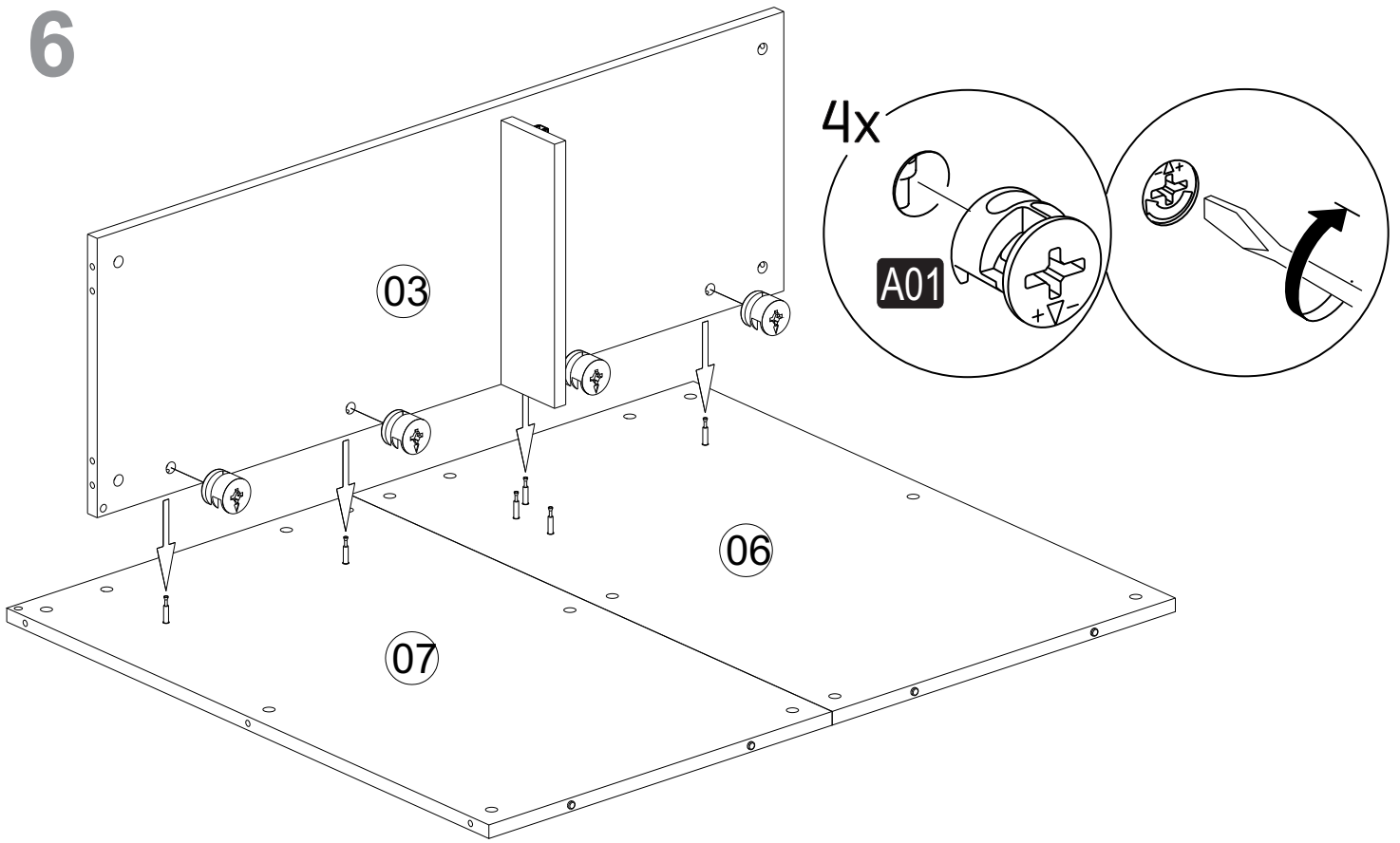
4



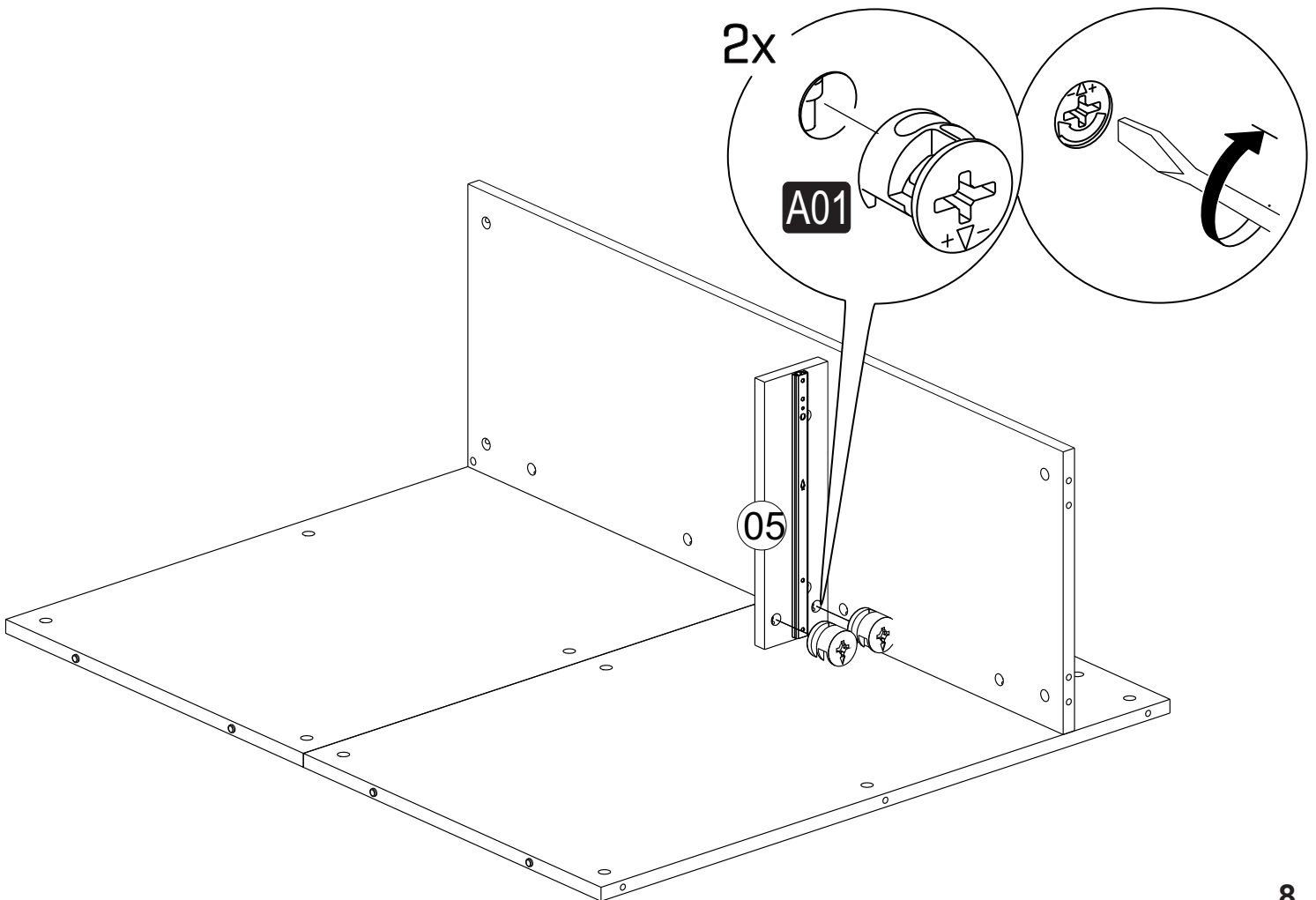
5



6



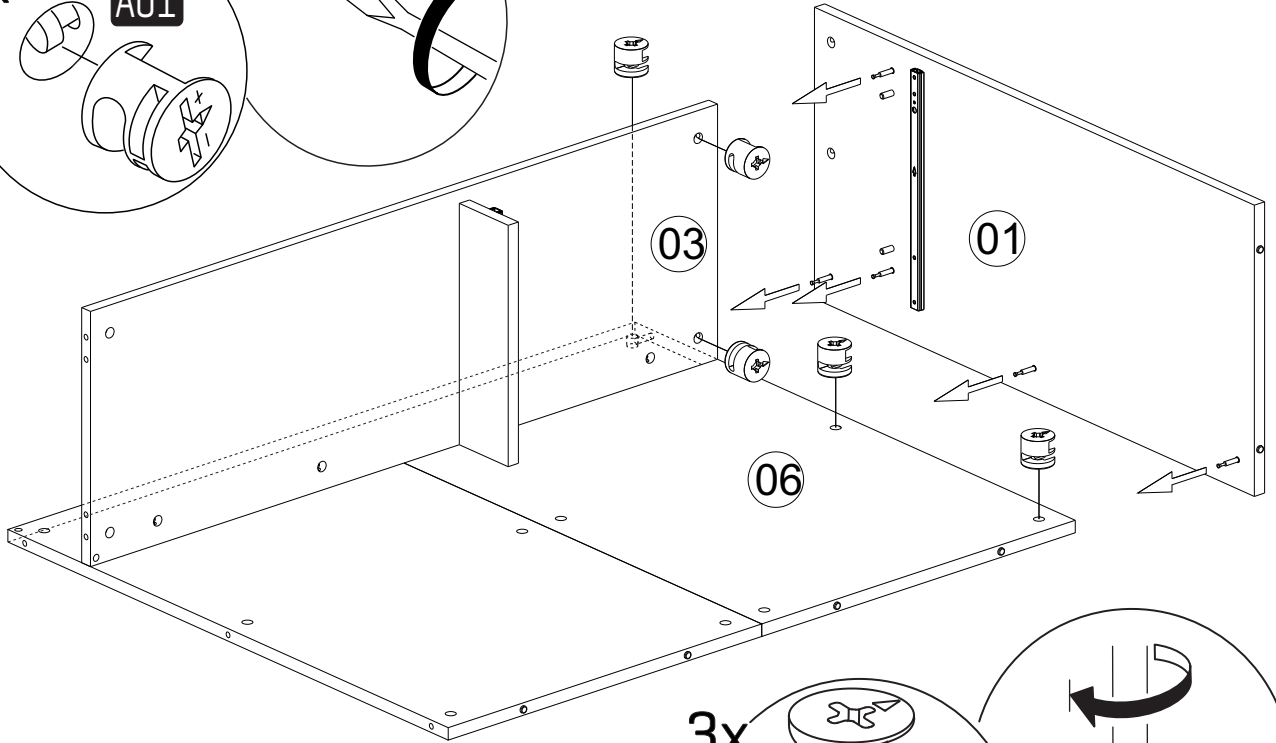
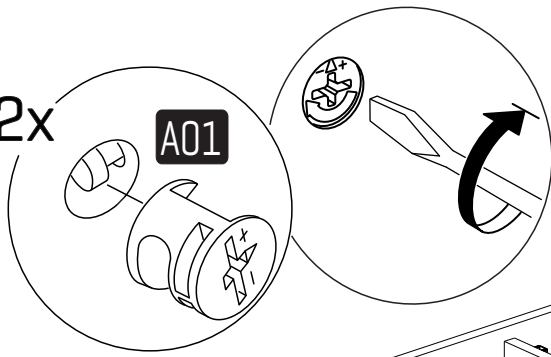
7



8

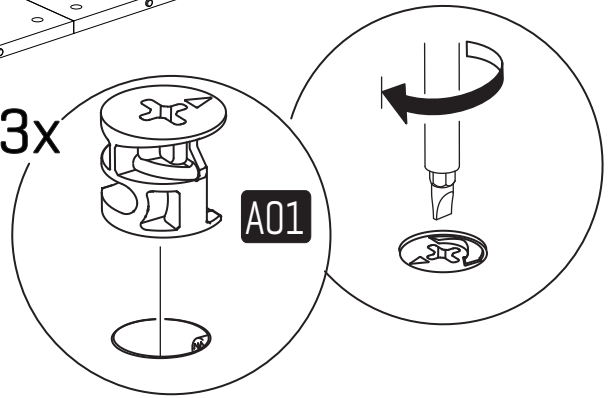
2x

A01



3x

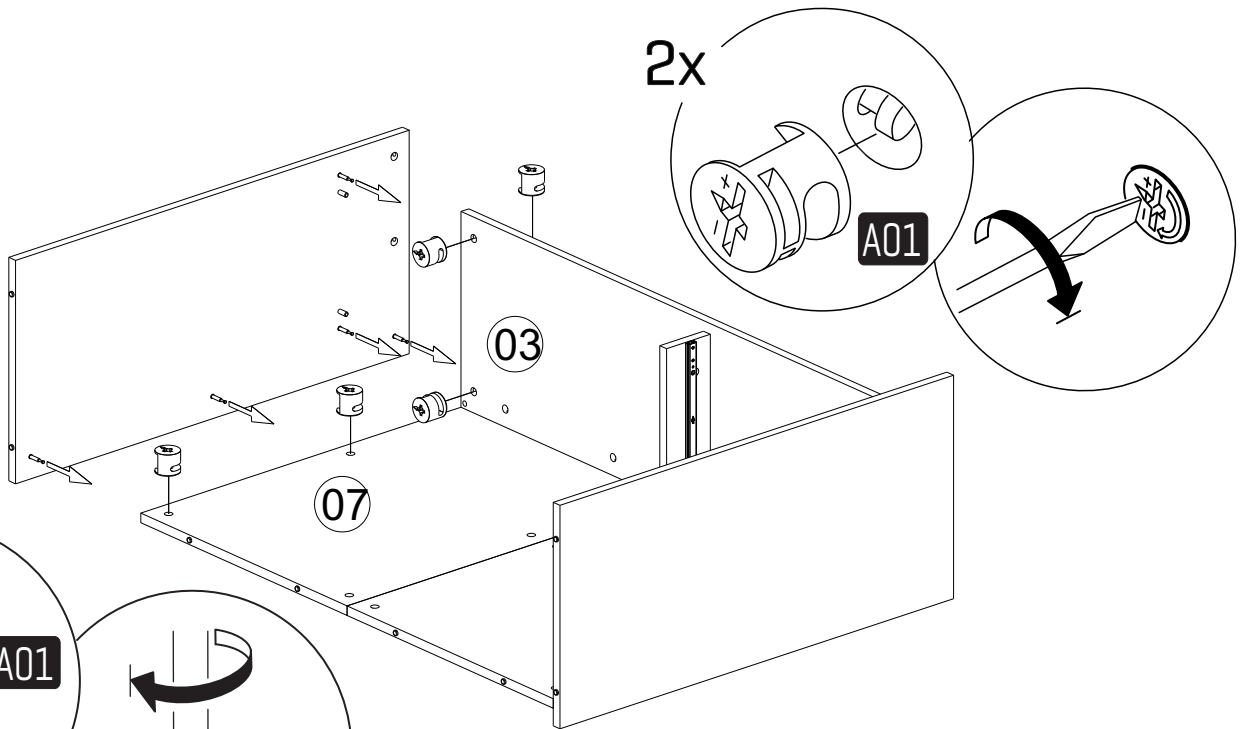
A01



9

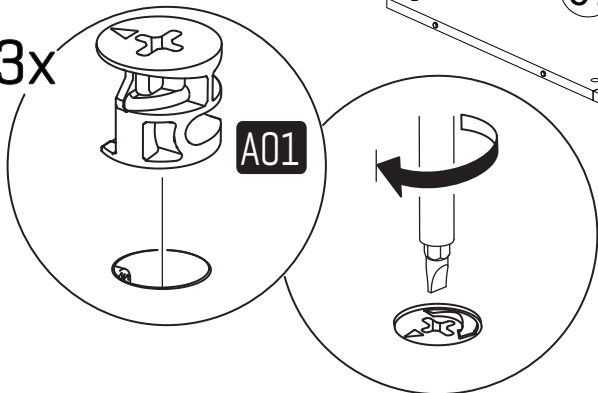
2x

A01

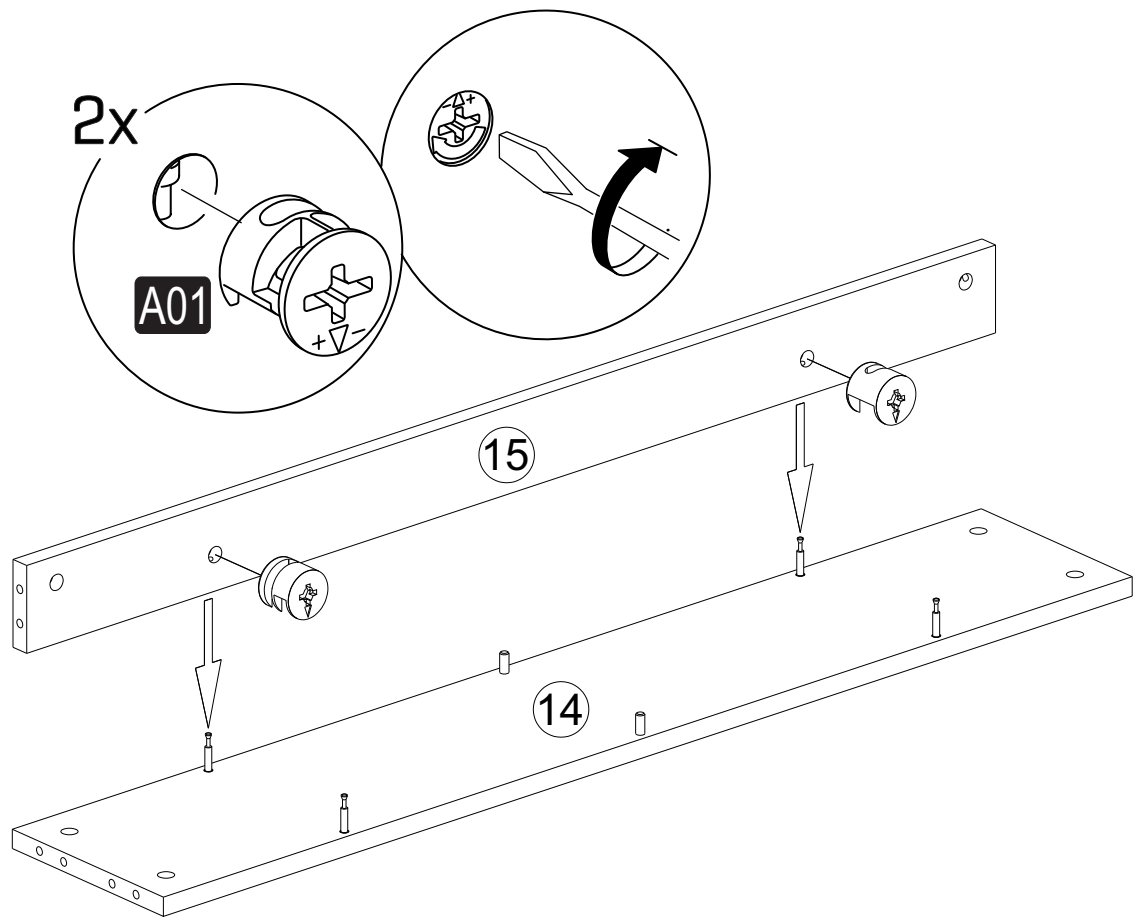


3x

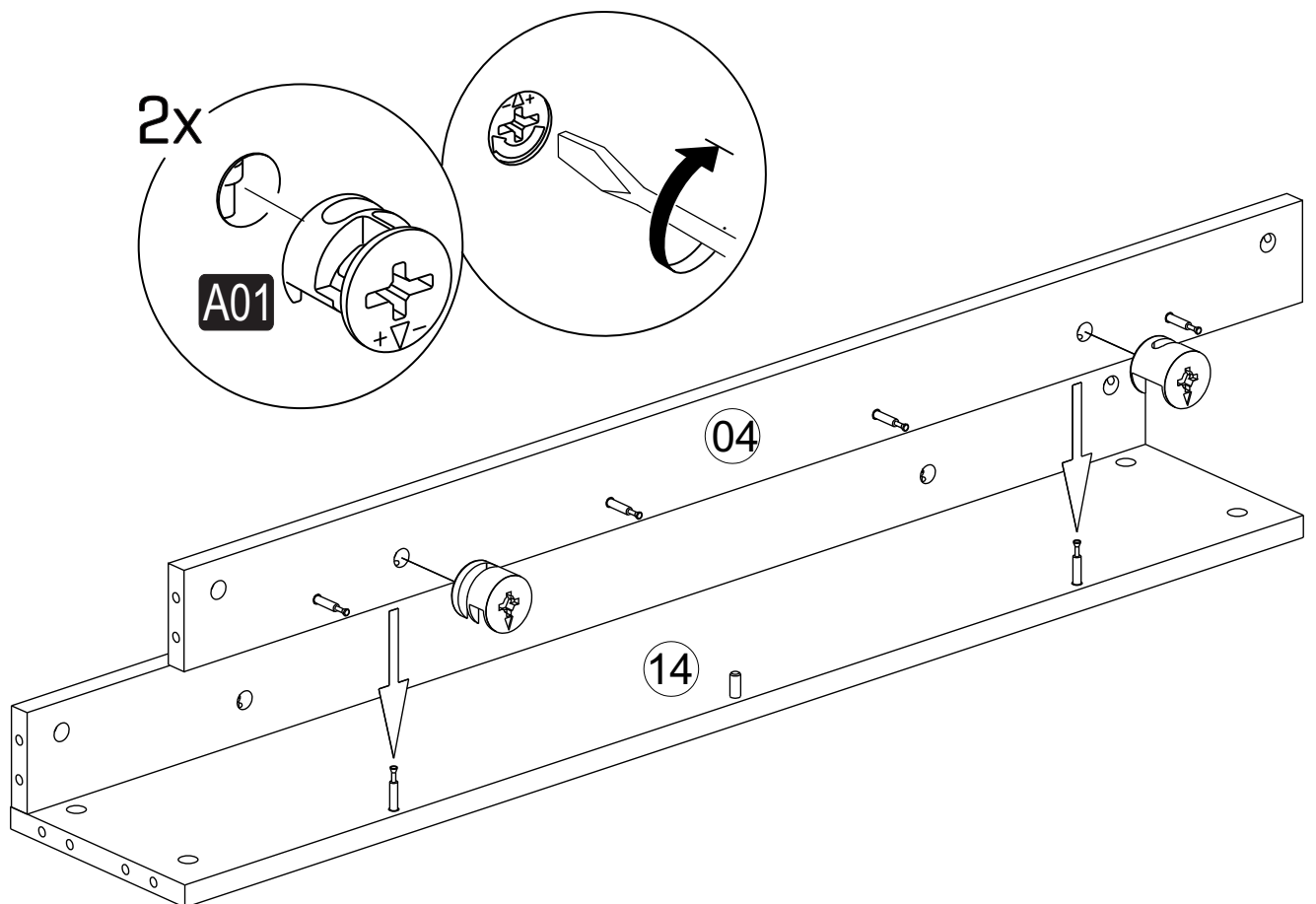
A01



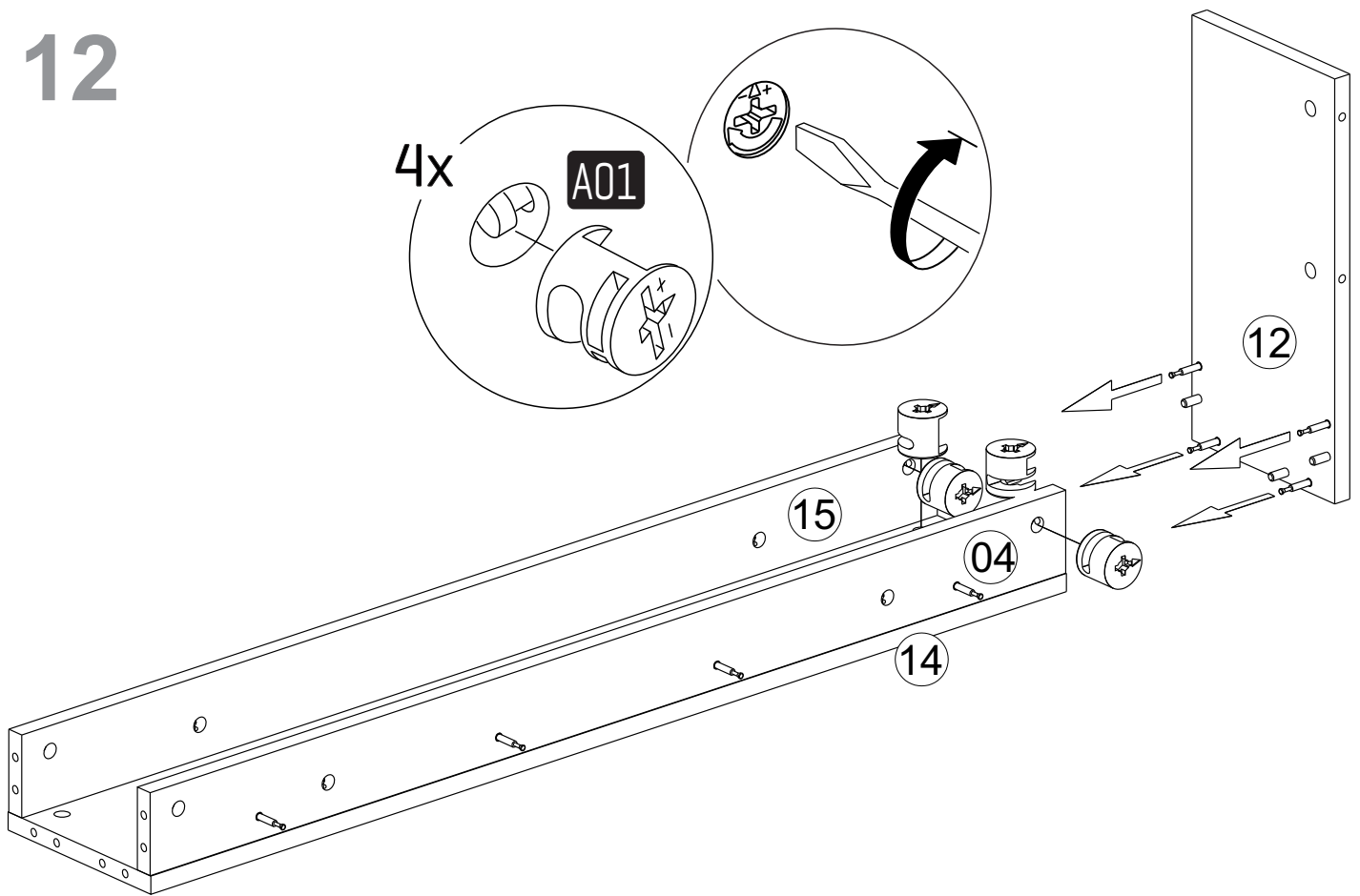
10



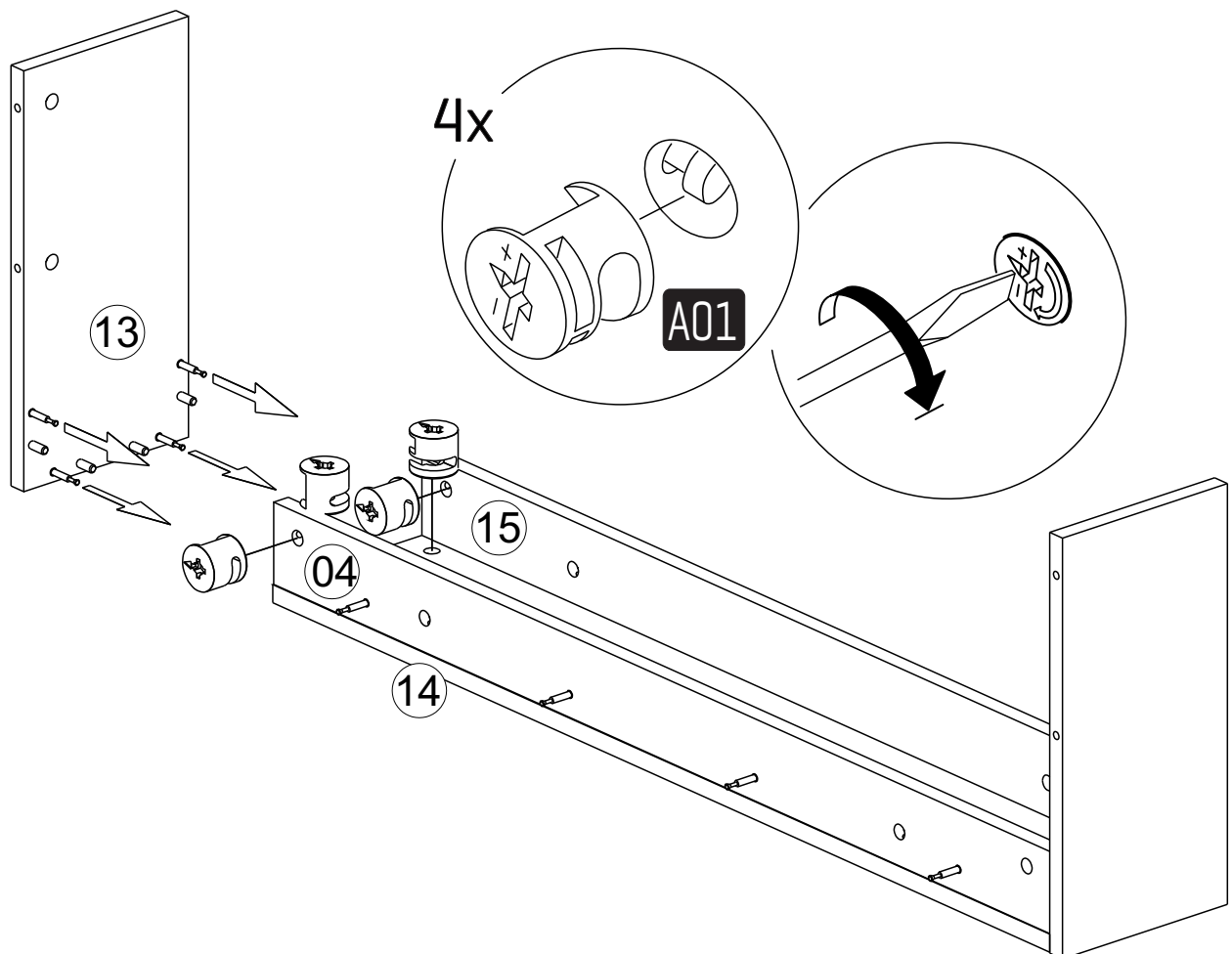
11



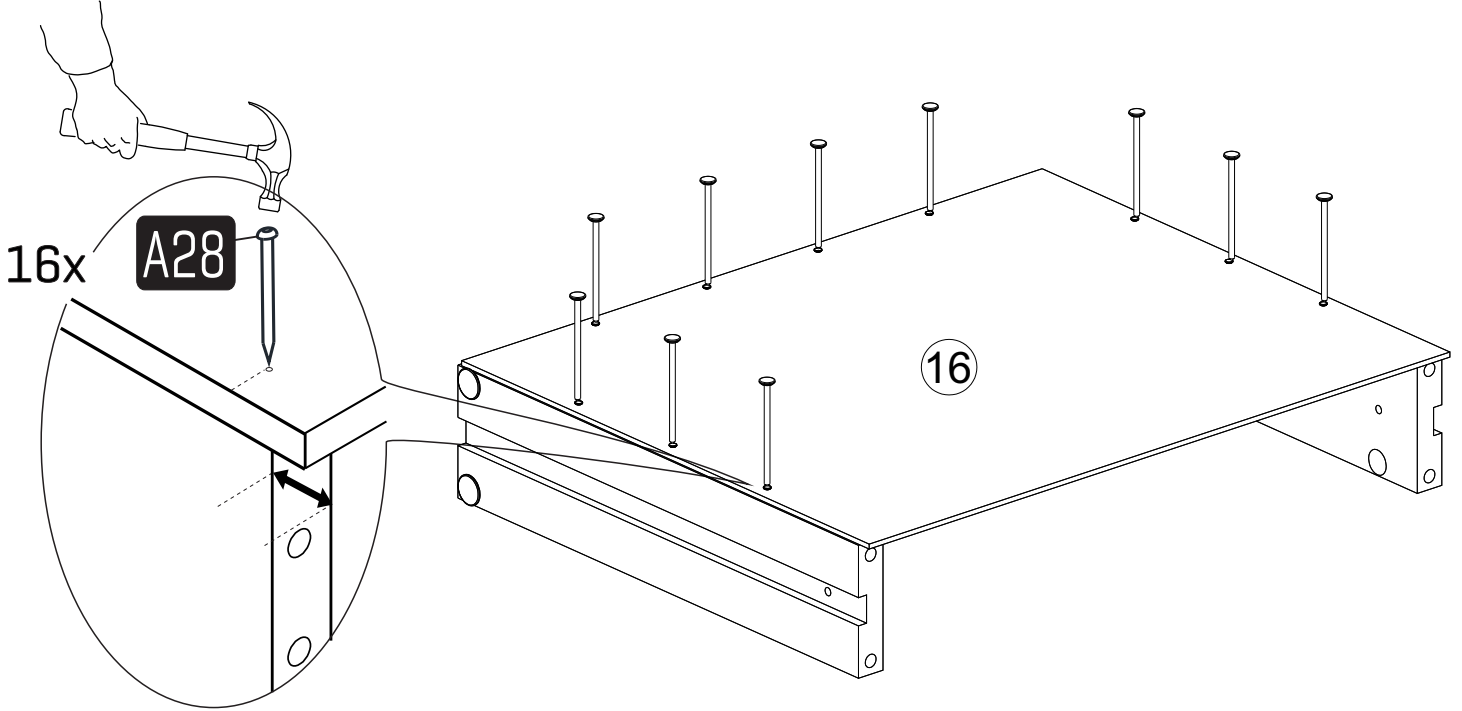
12



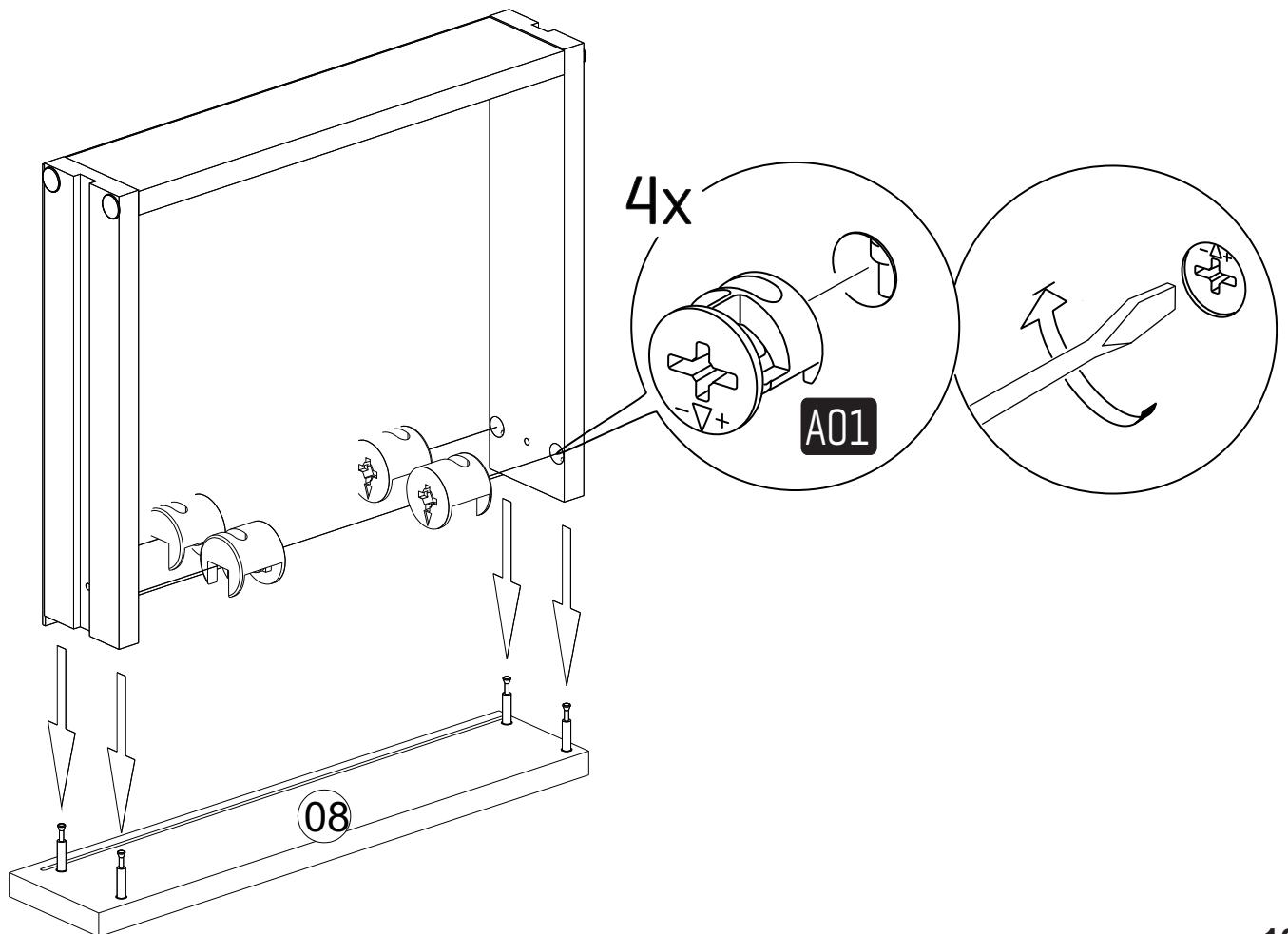
13



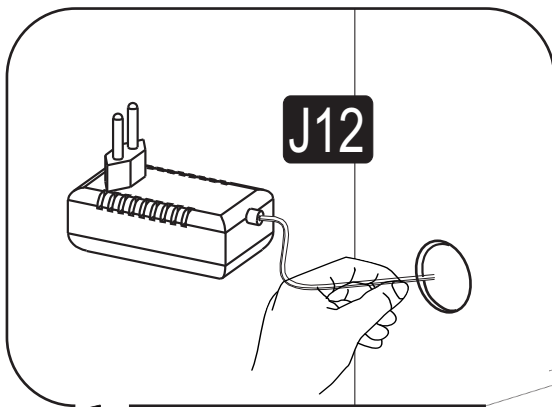
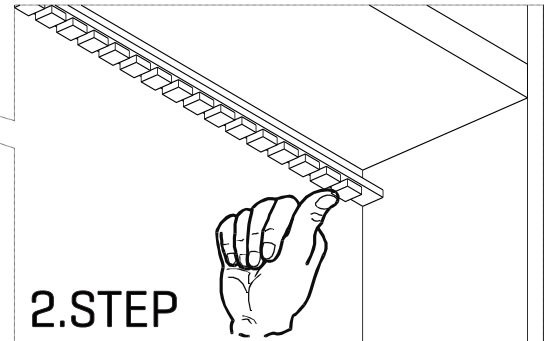
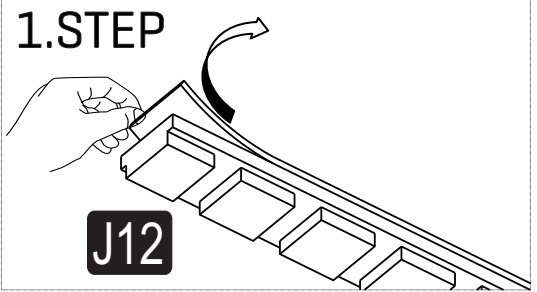
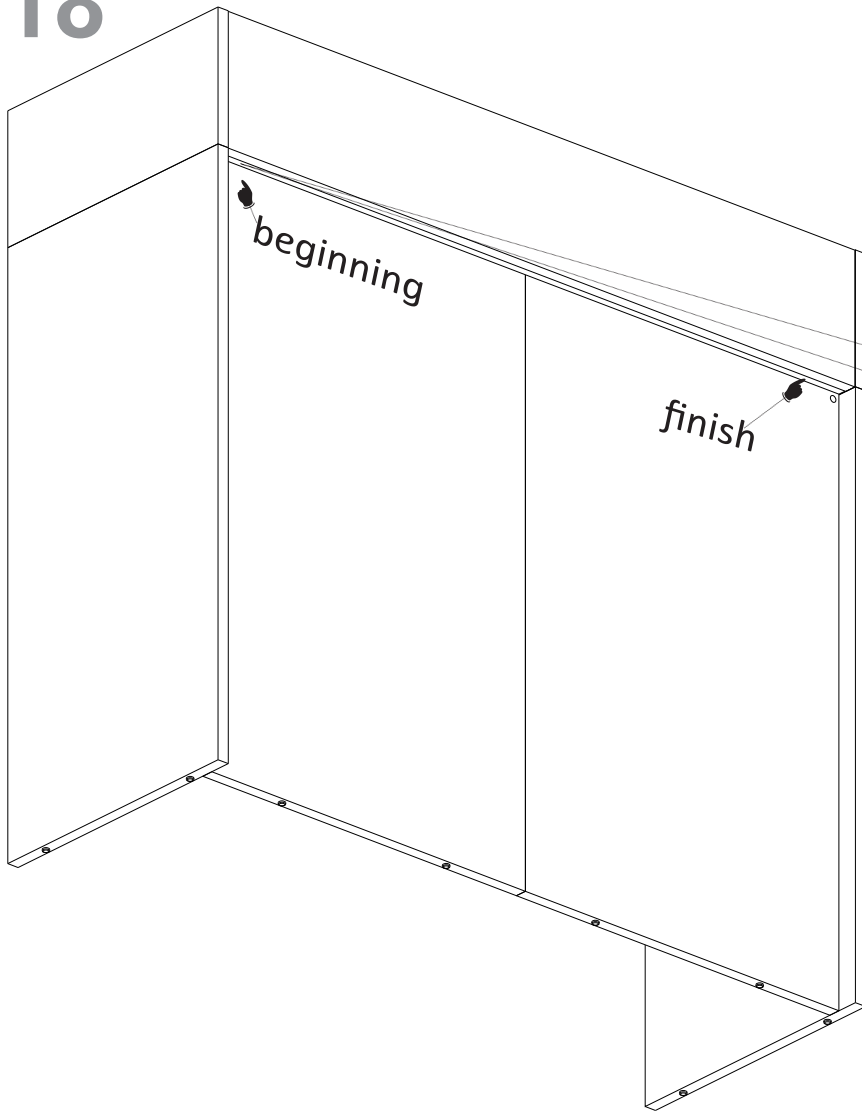
16



17

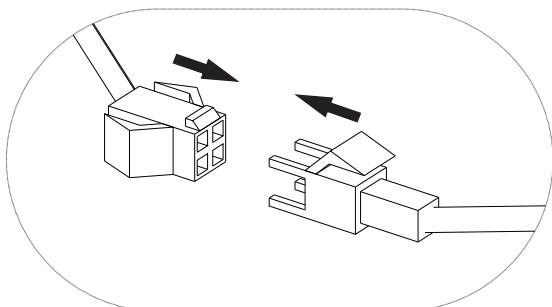


18

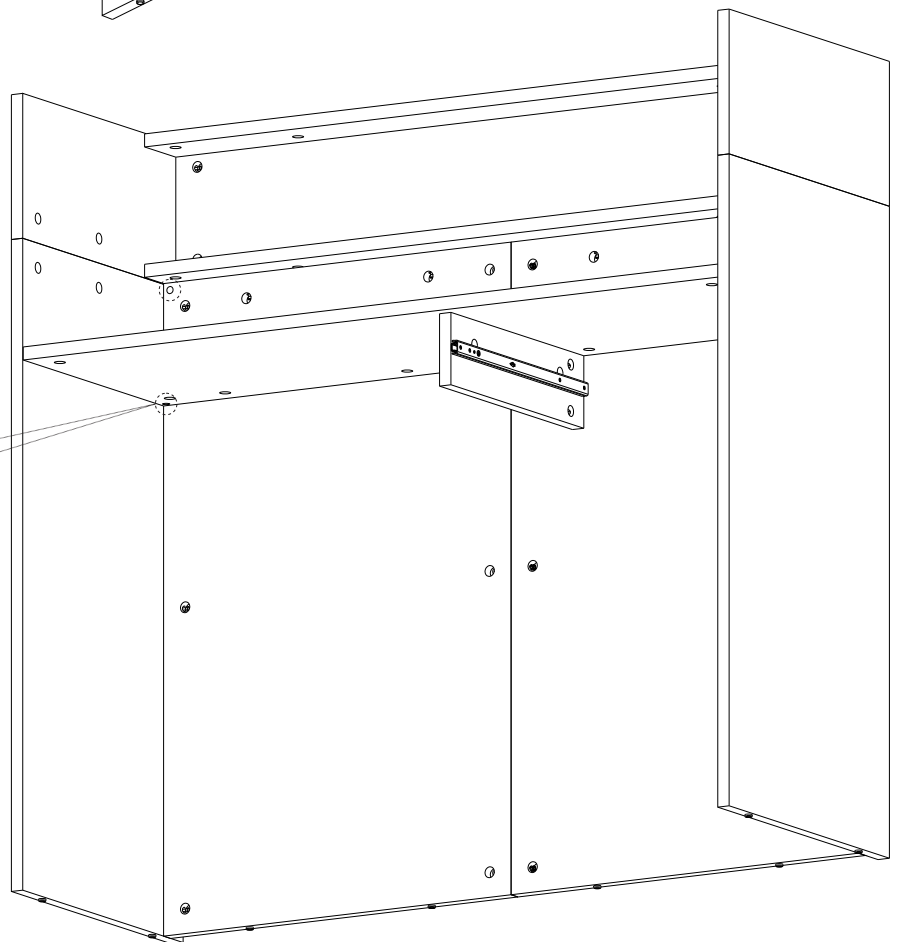


1x

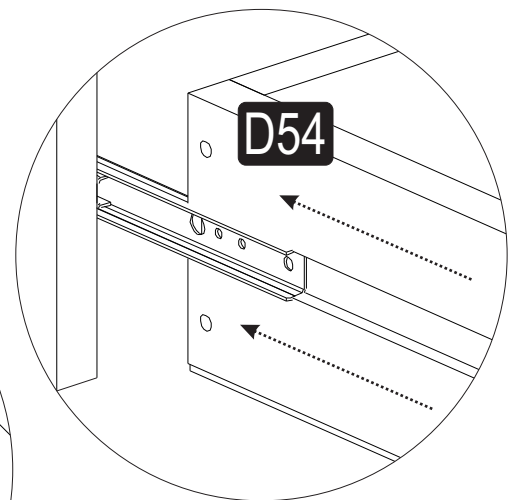
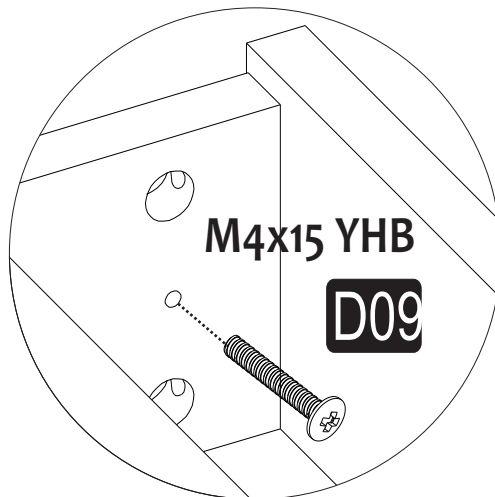
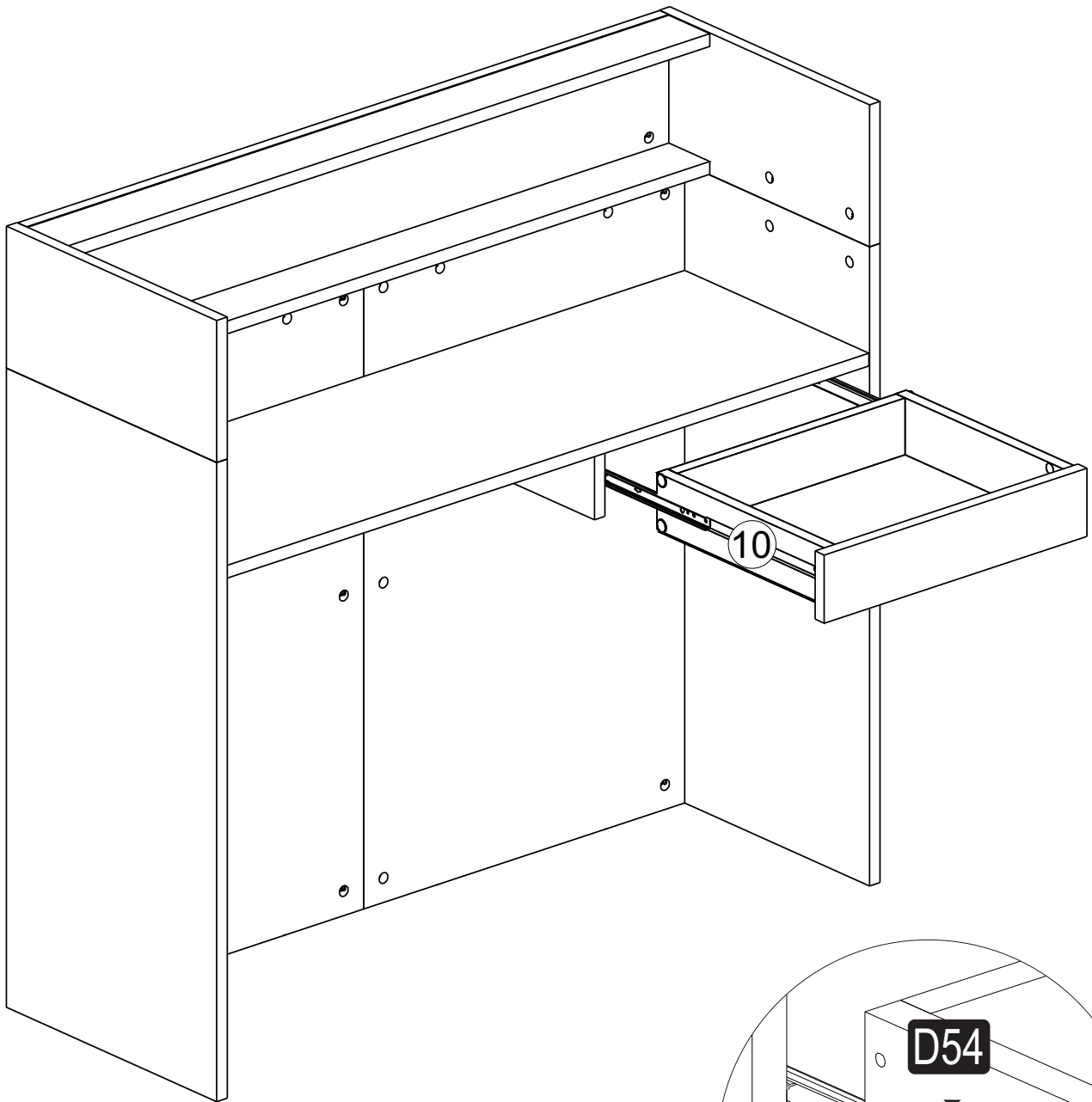
3.STEP



4.STEP



19



20

