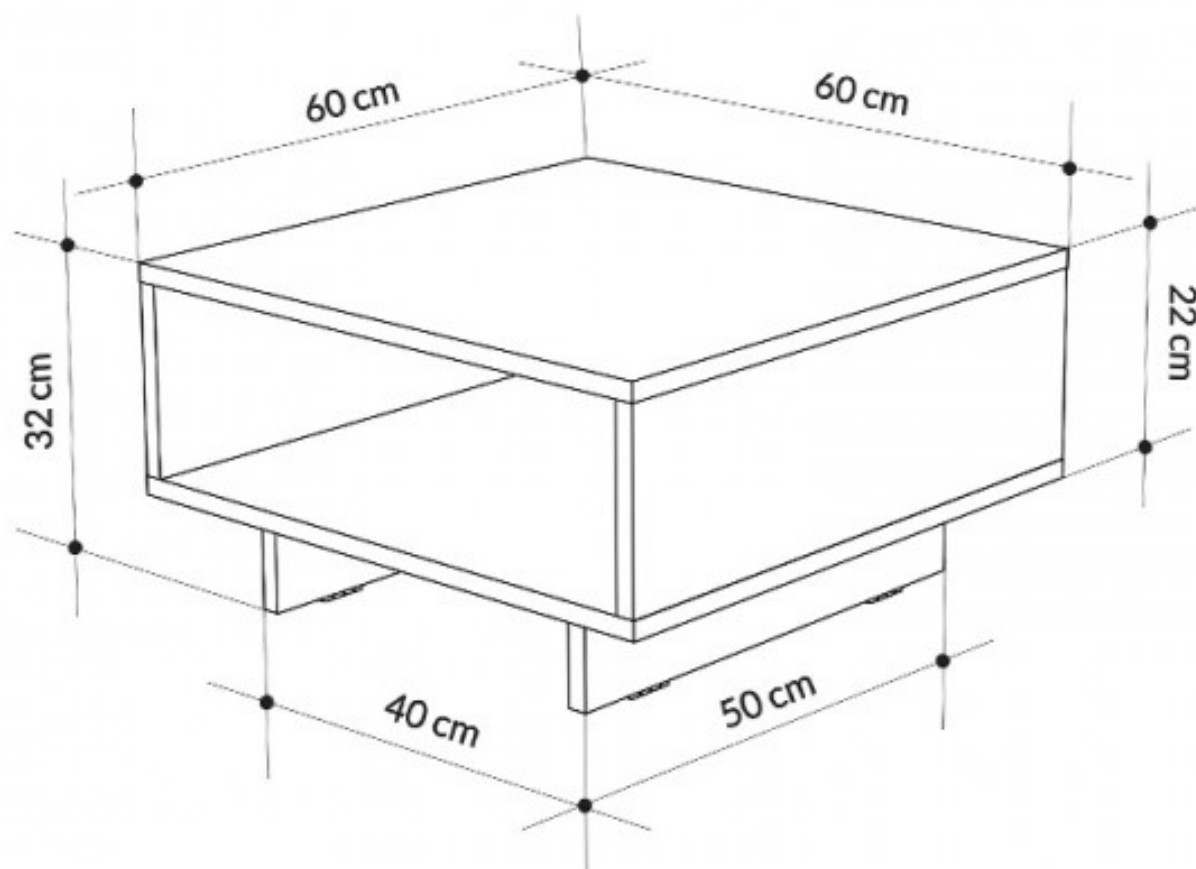



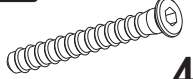
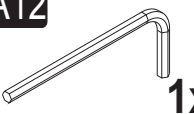
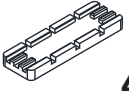

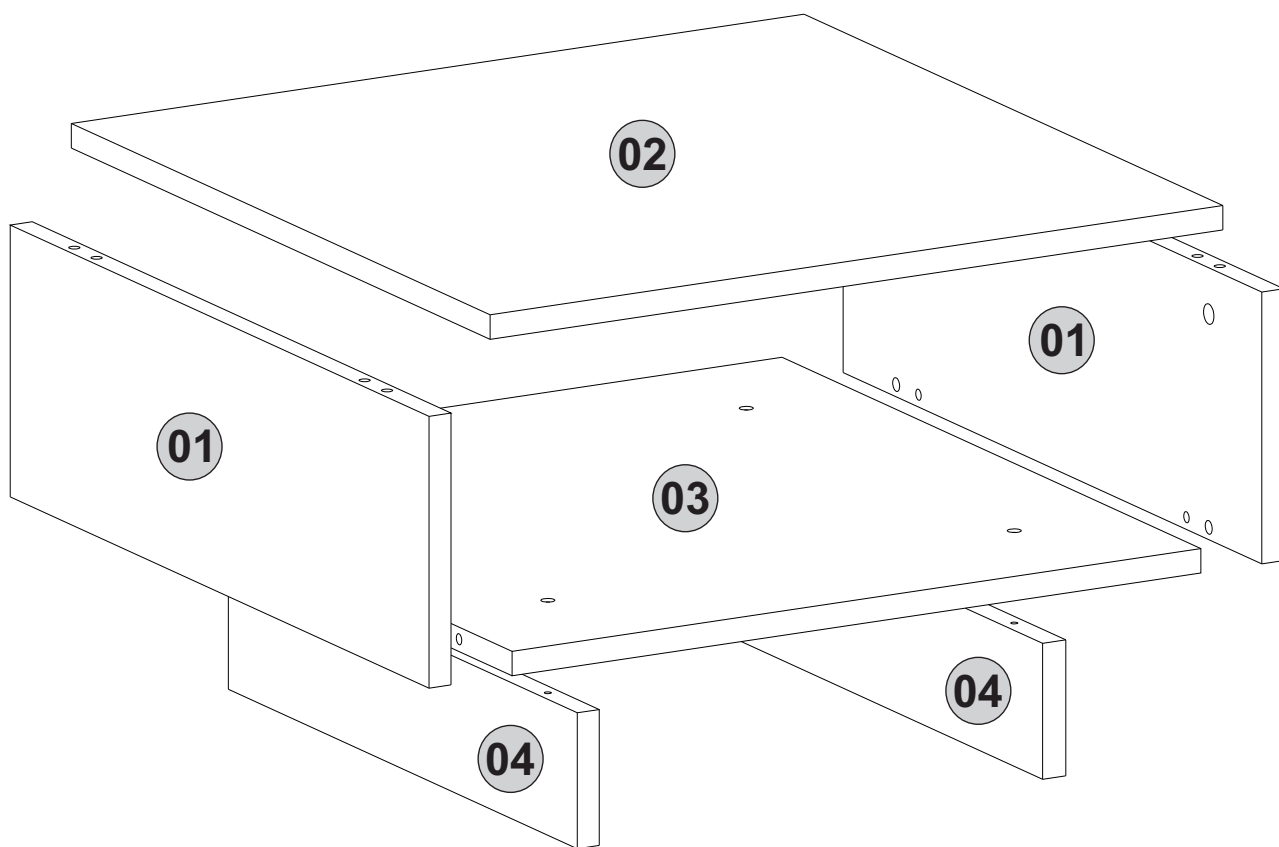


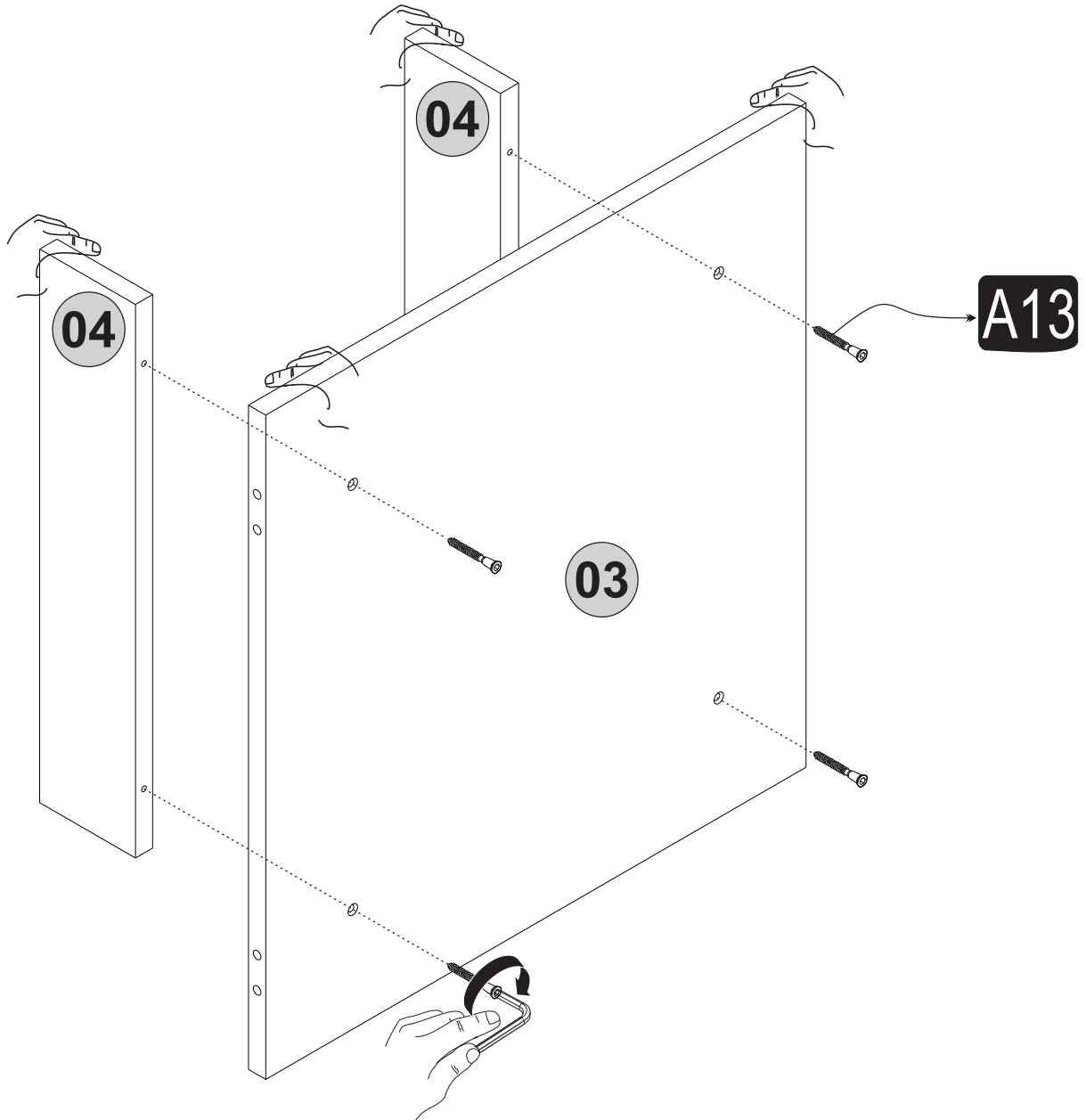
i GP037-0016,1



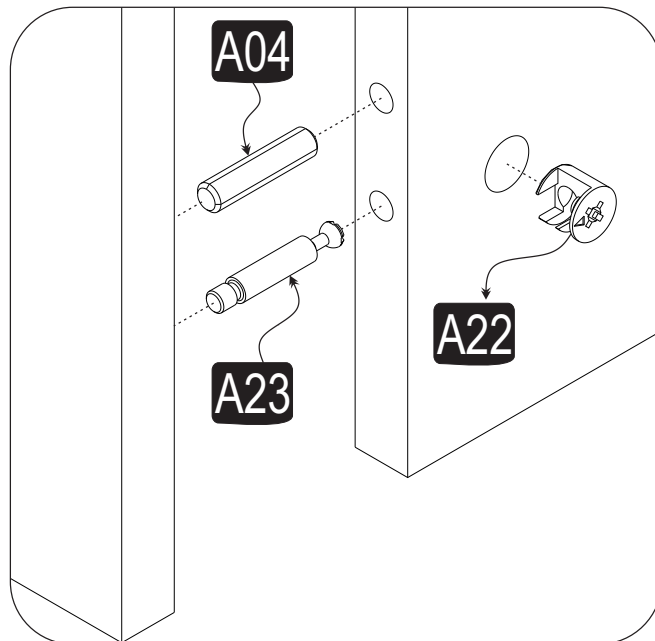
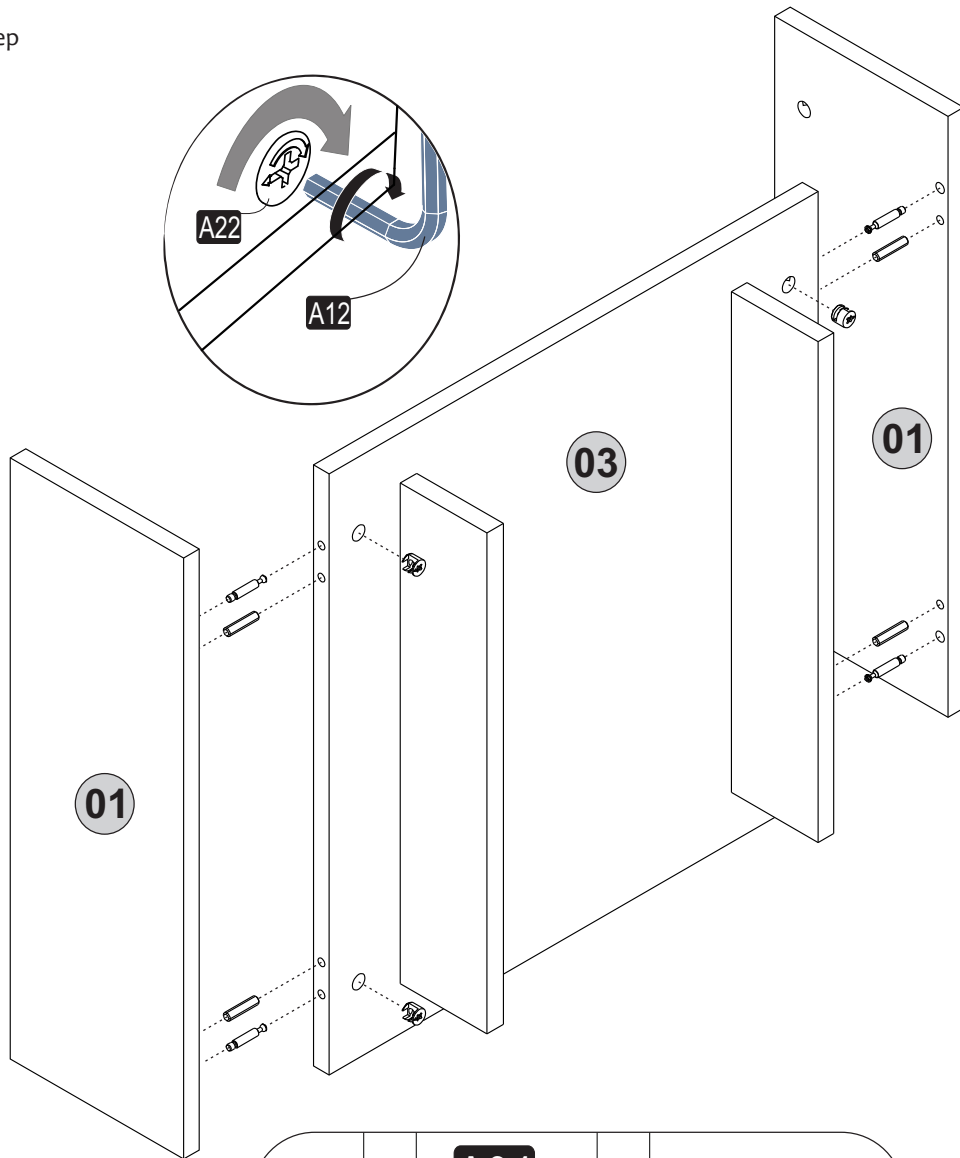
A22 Minifix k18  8x	A23 Minifix M10  8x	A04 $\varnothing 8$  8x	A13 50mm  4x	A12  1x
A08  4x c 2	A06 18 mm  12x c 1			



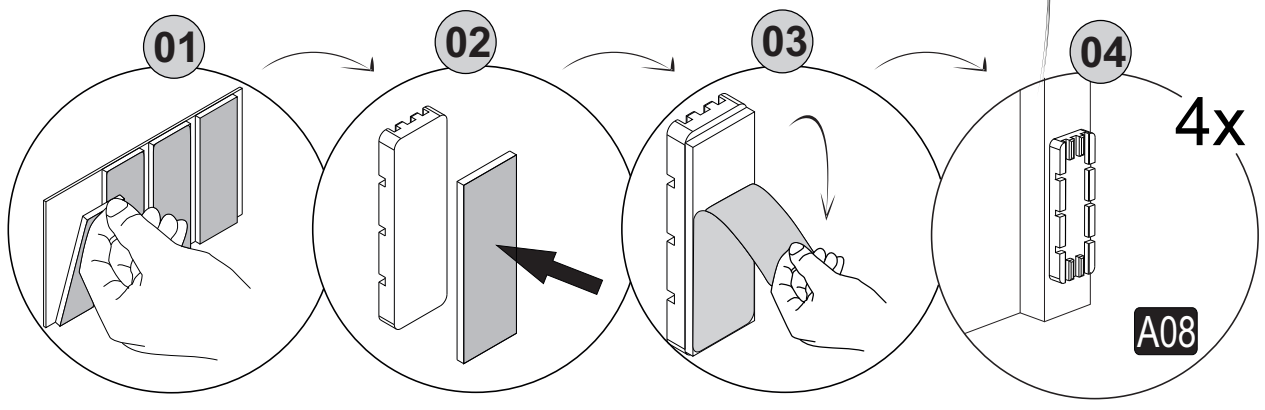
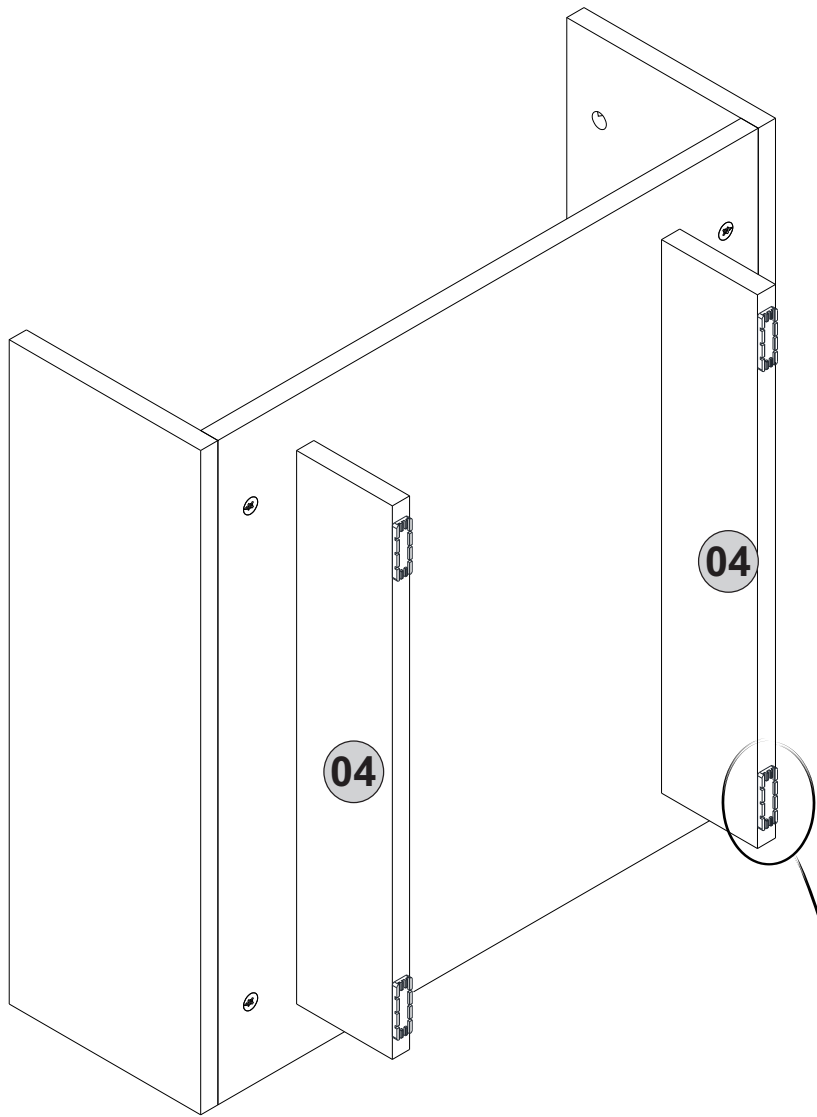
1. step



2^{step}



3^{step}



5. step

