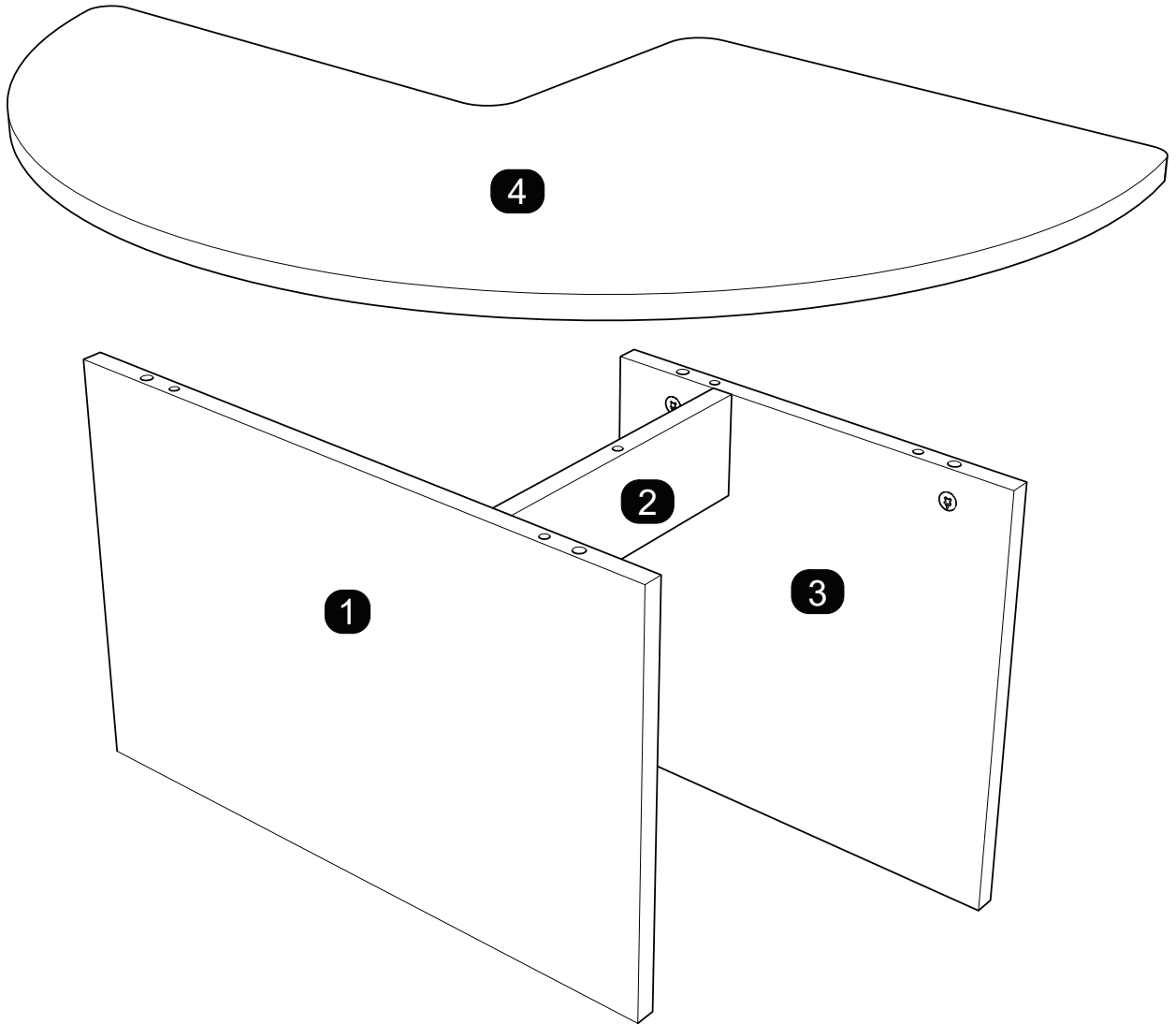




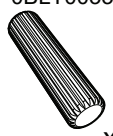
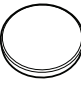
i GP052-0229,2

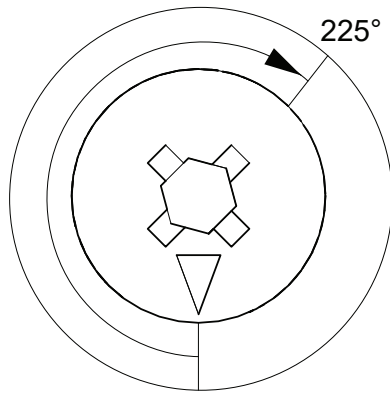
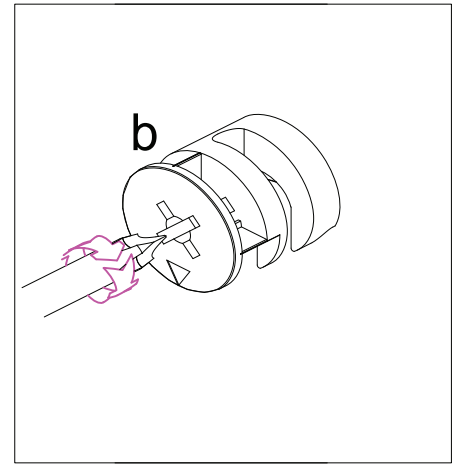
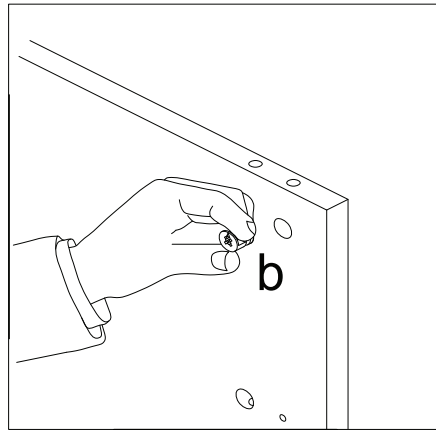
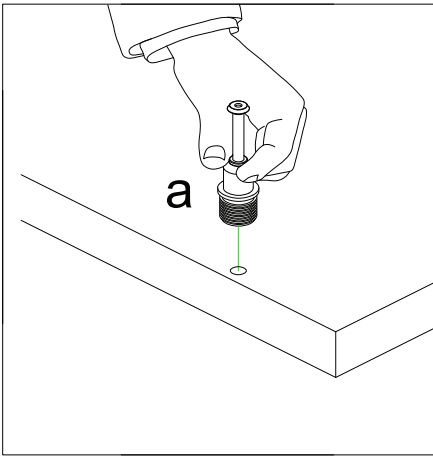


Φ90 x 41cm

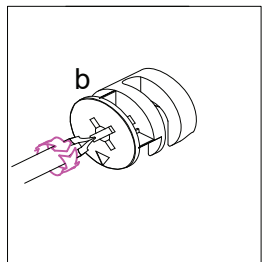
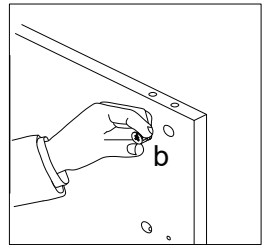
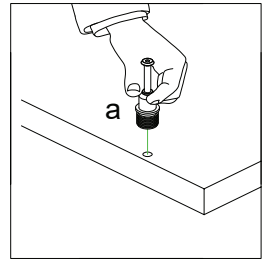
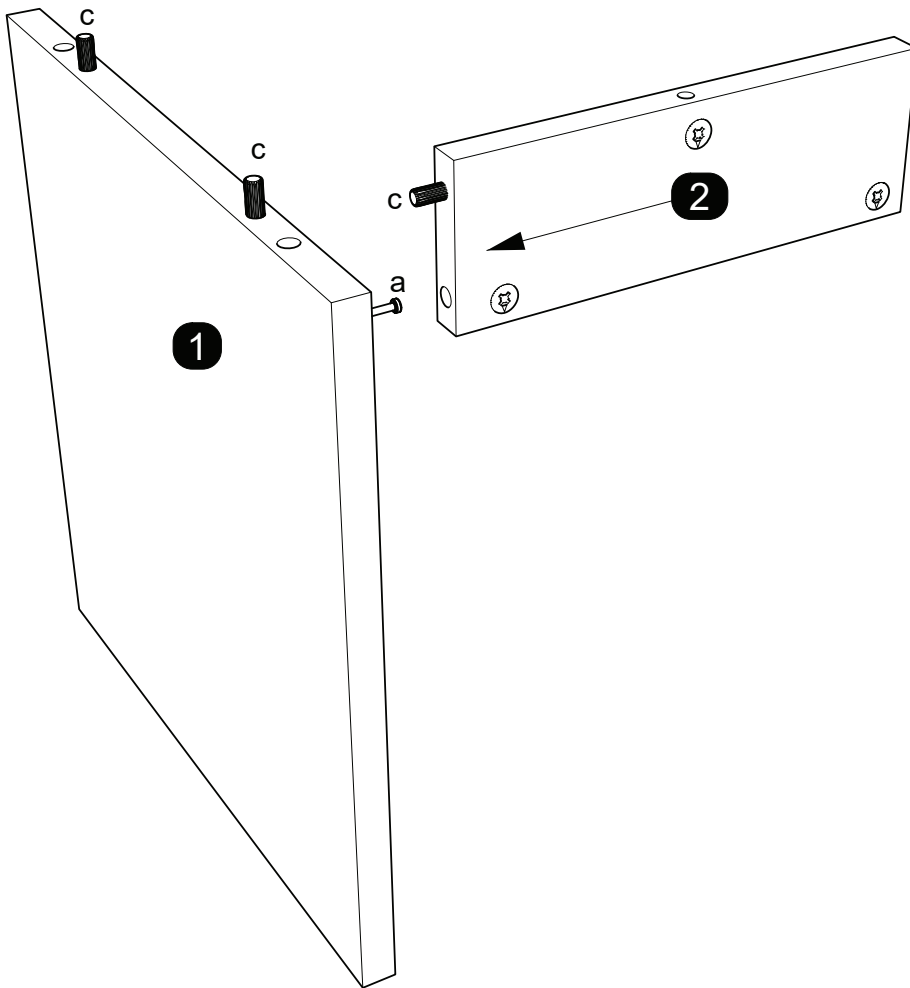


Accessory Parts

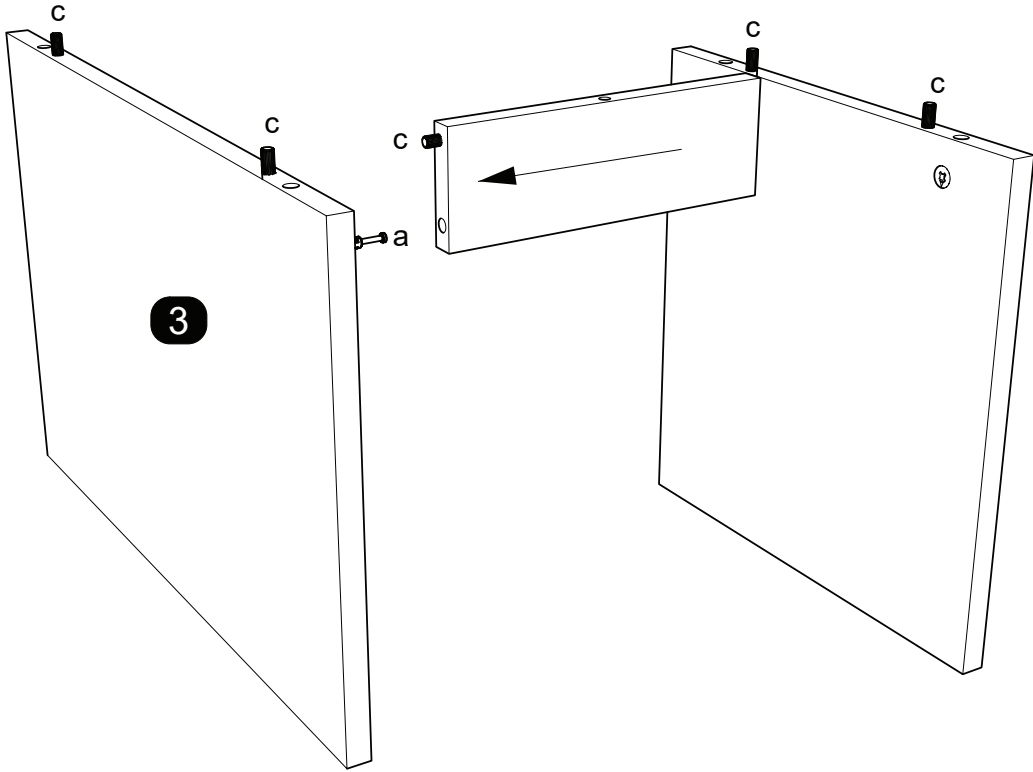
a OBLT0073  x16	b OBLT0039  x16	c OBLT0033  x12	d  x16
---	---	---	---



1



2



3

