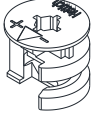
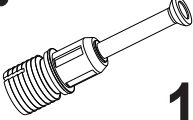

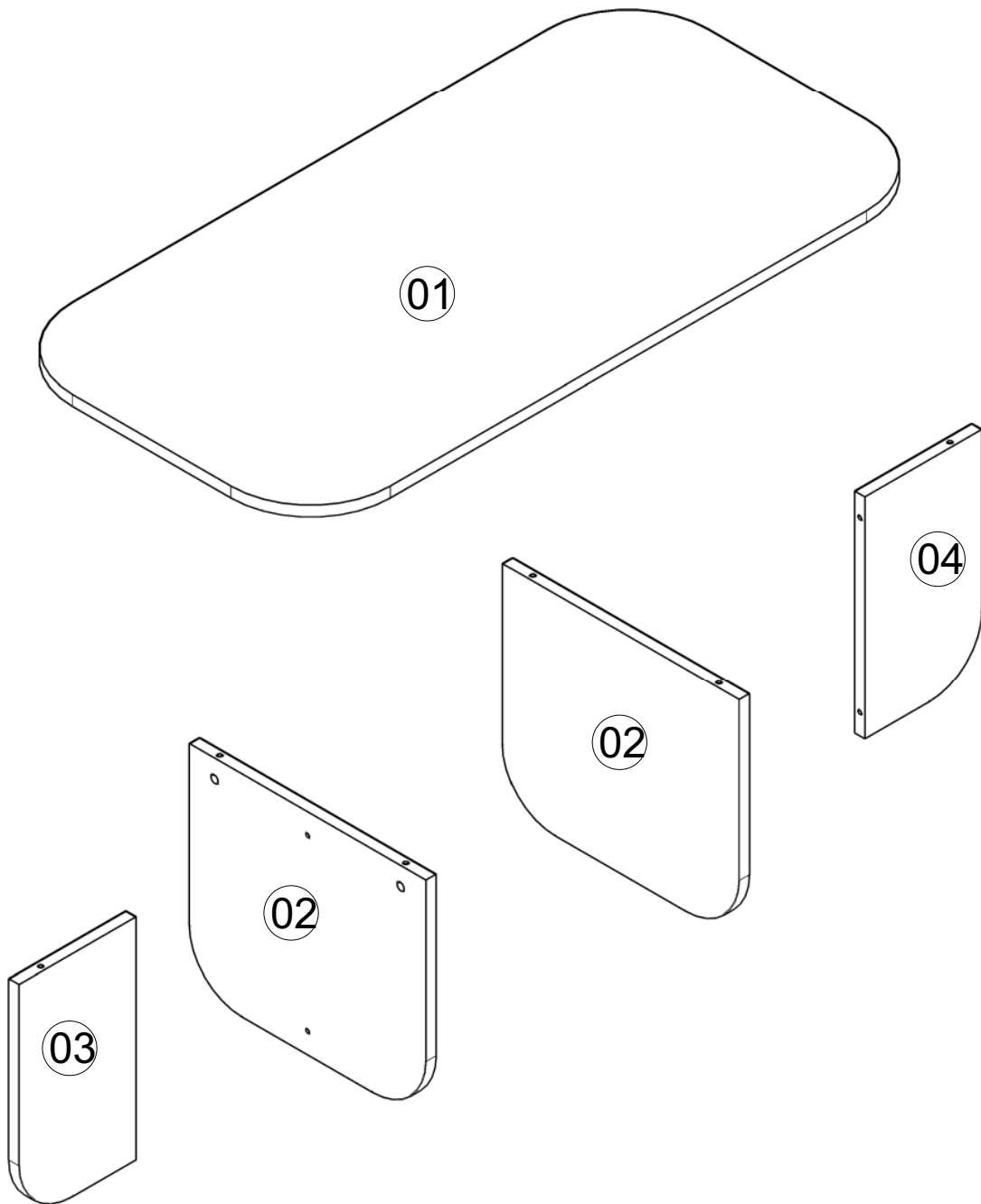


i GP052-0232,1



120 x 60 x 41,4cm

<p>A22</p>  <p>10x</p>	<p>A23</p>  <p>10x</p>	<p>A06</p>  <p>18 mm</p> <p>10x</p> <p>TP</p>
---	---	--



1

